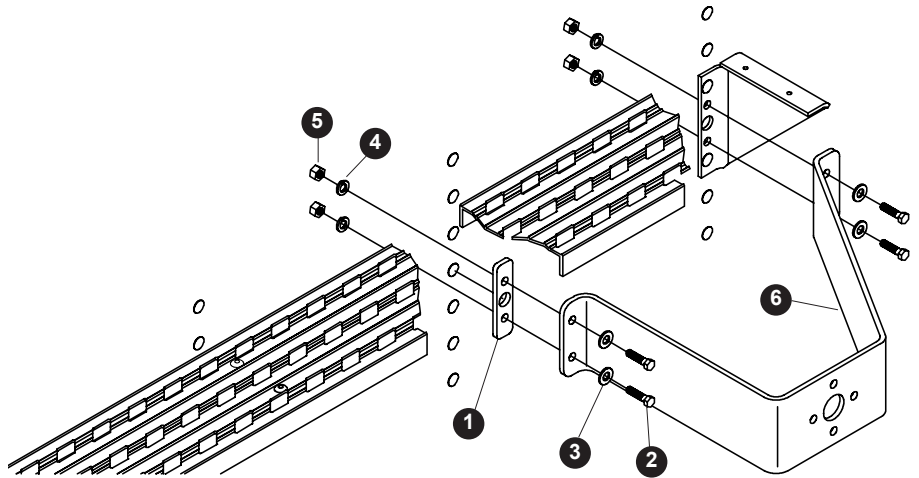


Installation Instructions - Pivot Bracket Mounting Spacer - Stoughton For Trailers with Catwalks

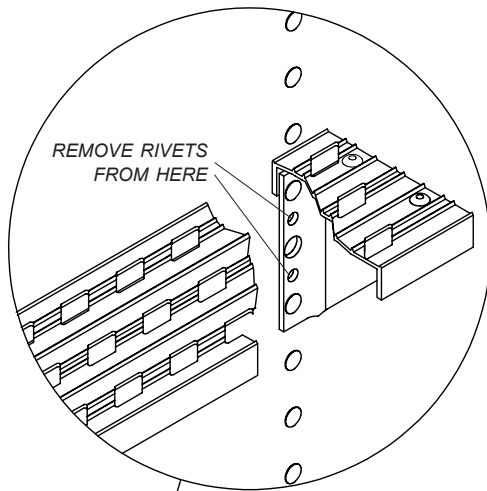
P/N 1118380 Rev. B

Item	Part #	Description
1.	1118378	Pivot Mount Bracket Spacer
2.	1701434	Cap Screw - 3/8" x 1 1/2"
3.	1700429	Flat Washer - 3/8"
4.	1700434	Lock Washer - 3/8"
5.	1700407	Hex Nut - 3/8"
6.	1117927	Pivot Mount Bracket - Stoughton

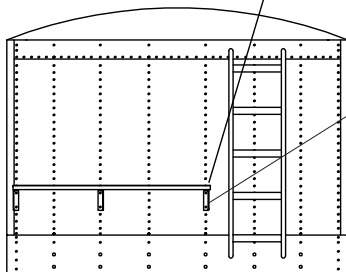
Follow the instructions in the 3500 Series Owner's Manual to determine the location and orientation for the front pivot mount bracket. If your trailer has a catwalk, follow these instructions.



STEP 1: Remove two rivets from bracket on driver's side of catwalk. Rivet holes will be used to fasten pivot mount bracket to trailer.

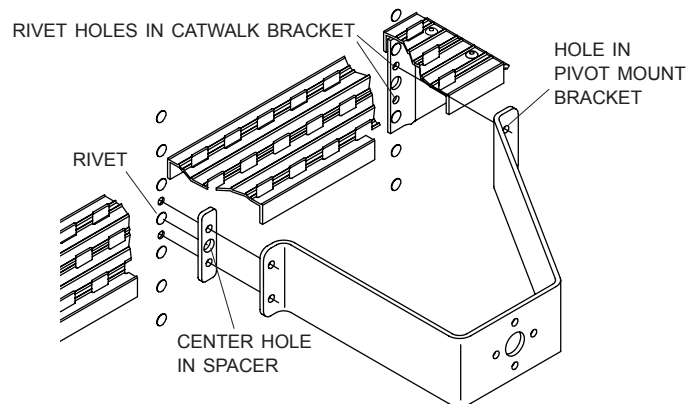


FRONT OF TRAILER

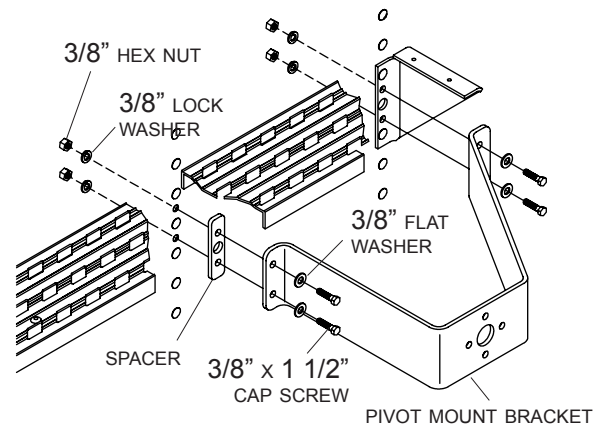


DRIVER'S SIDE OF CATWALK

STEP 2: **Determine spacer hole locations:** Align holes in pivot mount bracket with rivet holes in catwalk bracket. Align spacer with holes on opposite side of pivot mount bracket. Place center hole in spacer over rivet as shown, then lay bracket aside. Use spacer as a guide to mark and drill 13/32" holes.



STEP 3: **Fasten -** Realign pivot mount bracket and spacer with holes in catwalk bracket and trailer. Fasten with 3/8" x 1 1/2" cap screws, flat washers, lock washers and hex nuts.



NOTE: Mount brackets into support braces on trailer if possible. If bracket cannot be mounted into support braces, reinforce mounting area with backer plate for adequate support. Before drilling any holes make sure flex arm has a clear pathway to operate.

PO BOX 713 ■ 2309 SHUR-LOK STREET
YANKTON, SOUTH DAKOTA 57078-0713
PH. 1-800-474-8756 ■ FAX 605-665-0501



SHUR-CO.® HELP LINE
CALL: 1-866-748-7435
www.shurco.com