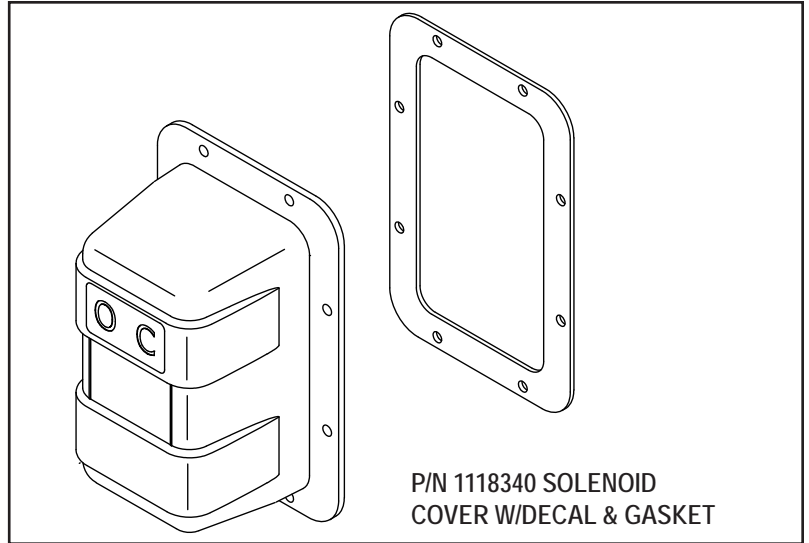


P/N 1120709 REPLACEMENT SOLENOID COVER W/DECAL

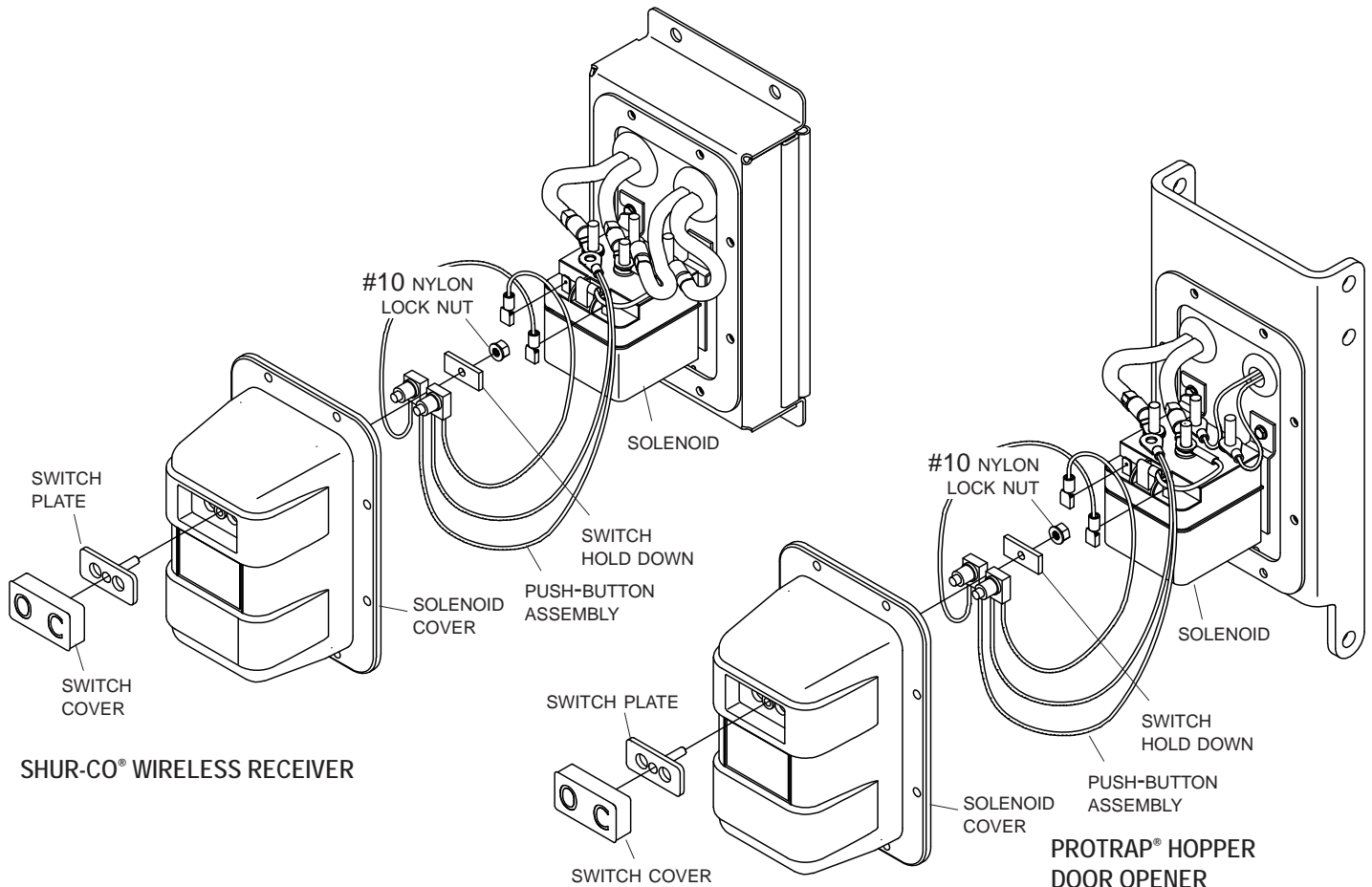


P/N 1118340 SOLENOID COVER W/DECAL & GASKET

STEP 1: Remove #10 x 3/4" cap screws from solenoid cover and remove cover from solenoid/bracket assembly.

STEP 2: Take new solenoid replacement cover and install wires as shown.

STEP 3: Replace solenoid cover and replace #10 x 3/4" cap screws.



SHUR-CO® WIRELESS RECEIVER

PROTRAP® HOPPER DOOR OPENER