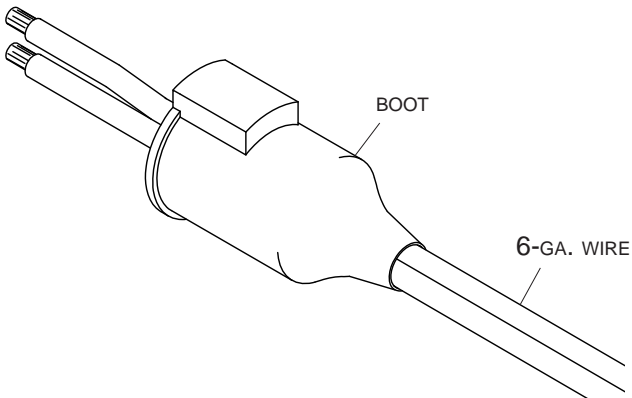
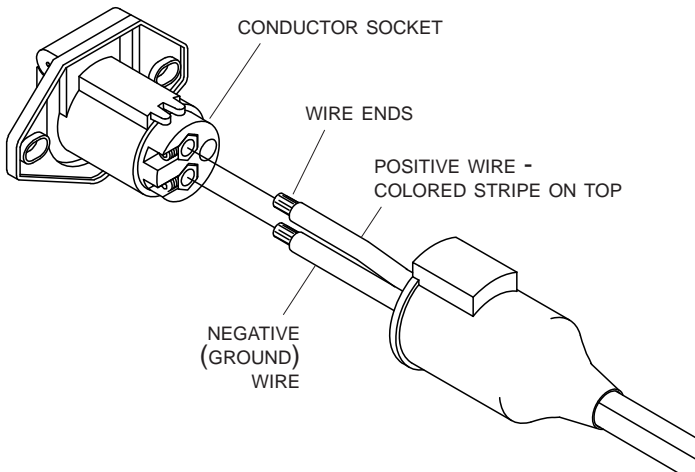


| Item | Part# | Description |
|------|---------|--|
| | 1119557 | Replacement Dual-Conductor Socket w/Boot |
| 1. | 1115386 | Heavy-Duty Dual-Conductor Socket |
| 2. | 1704573 | Conductor Socket Sealing Boot |
| 3. | 1703231 | Cable Tie - 8" |
| 4. | 1703822 | Dual Conductor Wire - 6 Ga. 259 Strand |

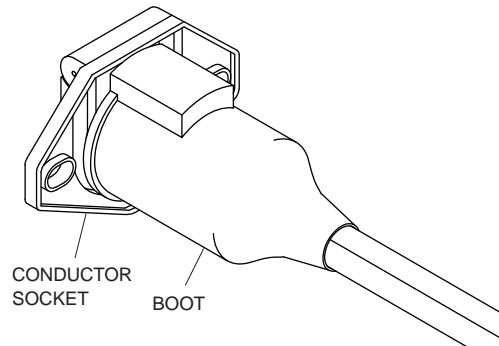
STEP 1: Insert 6-ga. wire into boot and slide through as shown.



STEP 2: Connect wire ends to conductor socket.



STEP 3: Slide boot up against conductor socket.



STEP 4: Secure boot to 6-ga. wire with cable tie.

