



TARPING SYSTEMS & ACCESSORIES

P/N 1121529 Rev. B

OWNER'S MANUAL



IronSide™ Side Dump System Circle-R Side Dumps 2001 - Present

READ BEFORE INSTALLING

PO BOX 713 ■ 2309 SHUR-LOK STREET ■ YANKTON, SD 57078-0713
PHONE 1-800-4-SHUR-LOK (1-800-474-8756) ■ FAX 605-665-0501
www.shurco.com

SHOP ONLINE: www.shopshurco.com

SHIPPING. All orders are shipped F.O.B. from the Shur-Co®, LLC sites listed below. There will be no full freight allowed or prepaid shipment accepted unless quoted and approved in writing prior to acceptance of the order. All shipments are made by the most reasonable means in accordance with the size and weight of the order, unless specified routing instructions are furnished by the customer. Shipments are made daily via U.P.S. and common carrier. Claims for shortages must be made within 10 days. All claims for damages or loss in transit must be made with the carrier. No collect calls will be accepted. To ensure delivery of orders, we need your full street address and phone number. When you receive your shipment, examine it carefully. Be sure all cartons listed on the delivery sheet are accounted for. Large items may be packaged separately. If a carton is damaged, open it and inspect the contents before signing for delivery. If merchandise is damaged, describe the damage on the delivery receipt. Failure on your part to document damaged or missing merchandise on the delivery receipt releases the carrier of all liability; repair or replacement will be the customer's responsibility.

WARRANTY. We warrant that all new products are free from defects in materials and workmanship.* This warranty is effective if products are properly installed and used for the purpose for which they were intended and applies to the original buyer only. Except as set forth above or as set forth in any product-specific warranty documentation, we make no other warranties, express or implied, including, but not limited to, warranties of merchantability or fitness for a particular use.

Returns of a product for warranty must be accompanied by a Return Merchandise Authorization number (RMA#), which can be obtained by calling Customer Service at 866-748-7435, and sent, with freight paid by us, to Shur-Co®, LLC, 2309 Shur-Lok Street, P.O. Box 713, Yankton, SD 57078 USA. All products returned without an RMA# will be refused. When we issue the RMA#, we will also issue a call tag to have UPS (or other freight company) pick up the product. C.O.D. returns will not be accepted. We will pay no storage charges for a warranty product return prior to pick by us or the freight company. If a warranty product return is scheduled to be picked up by us, we will pick up the product at our earliest convenience.

If a product returned is found, in our judgement, to be defective in material or workmanship, our obligation under this warranty is limited to the repair or replacement of the product, which will be made by us. Repair or replacement will be at our discretion, with replacements being made using current products performing in the equivalent function. Labor charges, other than those incurred at our factory, including, but not limited to, any labor to install a repaired or replacement product, are not covered under this warranty. All expenses associated with delivering defective products to our factory and delivering repaired or replacement products from our factory to the owner will be paid by us.

If the product returned is found, in our judgement, to be non-warrantable, the owner will be contacted to authorize repair work, purchase of a replacement product or return of the product, all of which will be at the owner's expense. Payment authorization must be received by us before any non-warrantable product is repaired, replaced or returned. All expenses associated with delivering the repaired non-warrantable product, a replacement product or the non-warrantable product from our factory to the owner will be paid by the owner.

In no event will we be liable for any damages of any kind or nature to person, product or property, including, but not limited to, indirect, incidental, special, consequential or punitive damages of any kind, or damages for loss of profits or revenue, even if we have been advised of the possibility of such damages. There are no warranties for used products or products that have been repaired, altered, modified or subjected to misuse, negligence or accident. We will not repair or replace products that fail or malfunction due to ordinary wear and tear, except as expressly provided in a product-specific warranty. The use of non-Shur-Co®, LLC parts in conjunction with Shur-Co®, LLC products will void this product warranty.

*Certain products have specific warranties that differ from this warranty, for example motors and electronics. Product-specific warranty documentation is available for these items. In the event of a conflict between this warranty and a product-specific warranty, the product-specific warranty will govern.

RETURN POLICY. All sales are final. See WARRANTY above for information on warranty returns.

OTHER. All prices, product listings, sizes, weights and manufacturing details are subject to change without notice. No person is authorized to modify the foregoing conditions of sale whatsoever.

SHUR-CO® OF SOUTH DAKOTA

Corporate HQ and Outlet Store
2309 Shur-Lok St., PO Box 713
Yankton, SD 57078-0713
Phone - 800.474.8756
Fax - 605.665.0501

SHUR-CO®, LLC Donovan

SHUR-CO® of FLORIDA
3353 SE Gran Park Way
Stuart, FL 34997
Phone - 800.327.8287
Fax - 772.287.0431

SHUR-CO®, LLC International

SHUR-CO® UK, Ltd.
Unit 41 Rochester Airport Est., Laker Rd.
Rochester, Kent ME1 3QX
UK 56011 82718
+44 (0)1795 473499
Fax +44 (0)871 272 8278

SERVICE CENTERS

SHUR-CO® of COLORADO
10220 Brighton Rd., Unit #1
Henderson, CO 80640
Phone - 866.355.9173
Fax - 303.289.2298

SHUR-CO® of ILLINOIS
4350 E. Boyd Rd.
Decatur, IL 62521
Phone - 866.356.0246
Fax - 217.877.8270

SHUR-CO® of IOWA
3839 Midway Blvd.
Ft. Dodge, IA 50501
Phone - 866.356.0245
Fax - 515.576.5578

SHUR-CO® of MICHIGAN
5100 Lakeshore Dr.
Lexington, MI 48450
Phone - 800.327.8287
Fax - 772.287.0431

SHUR-CO® of NORTH DAKOTA
920 38th St. NW, Exit 66
Fargo, ND 58102
Phone - 877.868.4488
Fax - 701.277.1283


SHUR-CO® of OHIO
1100 N. Freedom, St. Rt. 88 & 14
Ravenna, OH 44266
Phone - 866.356.0242
Fax - 330.297.5599

SHUR-CO® of OKLAHOMA
1604 East US Hwy 66
El Reno, OK 73036
Phone - 866.356.0243
Fax - 405.262.3842

SHUR-CO® of TEXAS
34505 I-10 West, S. Frontage Rd.
Brookshire, TX 77423
Phone - 866.689.0039
Fax - 281.934.3311

MESSAGE TO OWNERS

Thank you for buying this tarping system from Shur-Co®. We appreciate your confidence in our products. Please read and thoroughly understand this manual before installing and/or operating this system.

Pay particular attention to important safety and operating instructions, as well as warnings and cautions. The hazard symbol  is used to alert users to potentially hazardous conditions and is followed by caution, warning or danger messages.

Failure to READ AND FOLLOW INSTRUCTIONS could result in failure of your tarping system and/or personal injury. Your trailer requirements may, however, call for minor variations to these instructions.

Please inspect your tarping system periodically. Repair or replace worn or damaged parts to your system.

QUESTIONS? CALL OUR HELP LINE:

1-866-748-7435

MON-FRI 8 AM-5 PM CENTRAL TIME

SAFETY

We at Shur-Co® are concerned with your safety and the safety of all those operating this system. Therefore, we have provided safety decals at various locations on your tarping system. Keep decals as clean as possible at all times. Replace any decal that has become worn or damaged, painted over or otherwise difficult to read. Replacement decals are available through Shur-Co® dealers.

SAFETY INSTRUCTIONS

- 1. Always wear safety glasses during installation and operation.**
- 2. Stay clear of moving parts.**
- 3. Do not operate under low-hung power lines. Always check for overhead obstructions before opening or closing.**
- 4. Open and close tarp only at the job site.**
- 5. Place safety decals in visible locations. Replace worn or damaged decals.**
- 6. No other use of this system is authorized, except as designed.**

RUST PREVENTION

To prevent rust, paint all exposed metal such as weld seams and/or metal exposed by grinding or cutting, with corrosion-resistant paint.

TABLE OF CONTENTS

Hardware Identification..... 1

Spring Assembly Support Bracket Installation..... 2

Spring Assembly Installation..... 3

Front Arm Installation..... 4

Rear Arm Installation 5

Tarp Inspection & Fixed Tube 6

Roll Tube Assembly & Tarp Installation 7-8

Tarp Cradle Installation..... 9

Tarp Roll Push-Out Installation..... 9

Electric Wiring..... 10-12

Tarp Retainer Hook Installation 13

Servicing Motor Failure..... 14

Replacement Parts 15-20

TOOLS REQUIRED

1. Wrenches - 1/2", 5/16", 9/16", 5/8", 3/4", 7/8"
2. Ratcheting Socket Wrench
3. Sockets - 1/2", 9/16", 3/4"
4. Allen Wrenches - 1/8", 5/32", 3/16"
5. Drill Bits (metal cutting) - 5/16", 3/8", 1/2", 3/16"
6. Center Punch
7. Hammer
8. Tape Measure
9. Flat Head or Phillips Screwdriver
10. Grinder
11. Air or Electric Impact Driver w/9/16" Socket
12. Metal Saw
13. Steel Welder
14. T25 Torx Driver/Bit
14. Hex Driver Bit - 5/16"
15. Phillips Driver Bit - #3

Additional tools needed, depending on kit configuration:

1. Large Pipe Wrench
2. Rivet Gun
3. Aluminum Welder

MAINTENANCE

- Spray all bearings and drive chain with penetrating oil as needed.
- Brush springs with steel brush weekly to remove dirt and spray with penetrating oil.
- Tighten any loose bolts.
- Replace damaged/bent parts.
- Replace worn or broken springs.
- Replace/repair worn or damaged tarps.

A



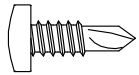
1701471 Self-Drilling Screw - #12 x 1"

B



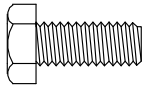
1704491 Set Screw - 1/4" x 1/4"

C



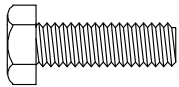
1700398 Self-Drilling Screw - 1/4" x 3/4"

D



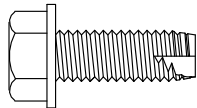
1701045 Cap Screw - 5/16" x 3/4"

E



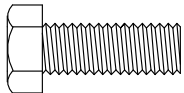
1704416 Cap Screw - 5/16" x 1"

F



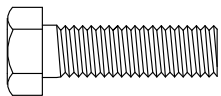
1700400 Self-Tapping Screw - 3/8" x 1"

G



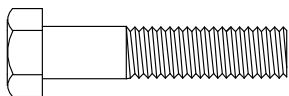
1701061 Cap Screw - 3/8" x 1"

H



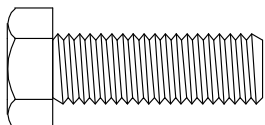
1702891 Cap Screw - 3/8" x 1 1/4"

J



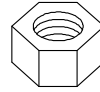
1700369 Cap Screw - 3/8" x 1 3/4"

K



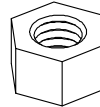
1702075 Cap Screw - 1/2" x 1 1/2"

L



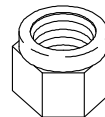
1700411 Hex Nut - 5/16"

M



1700407 Hex Nut - 3/8"

N



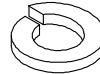
1701580 Nylon Lock Nut - 3/8"

P



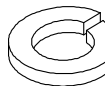
1702115 Nylon Lock Nut - 1/2"

Q



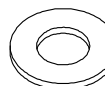
1700433 Lock Washer - 5/16"

R



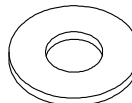
1700434 Lock Washer - 3/8"

T



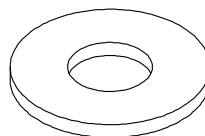
1700429 Flat Washer - 3/8"

U

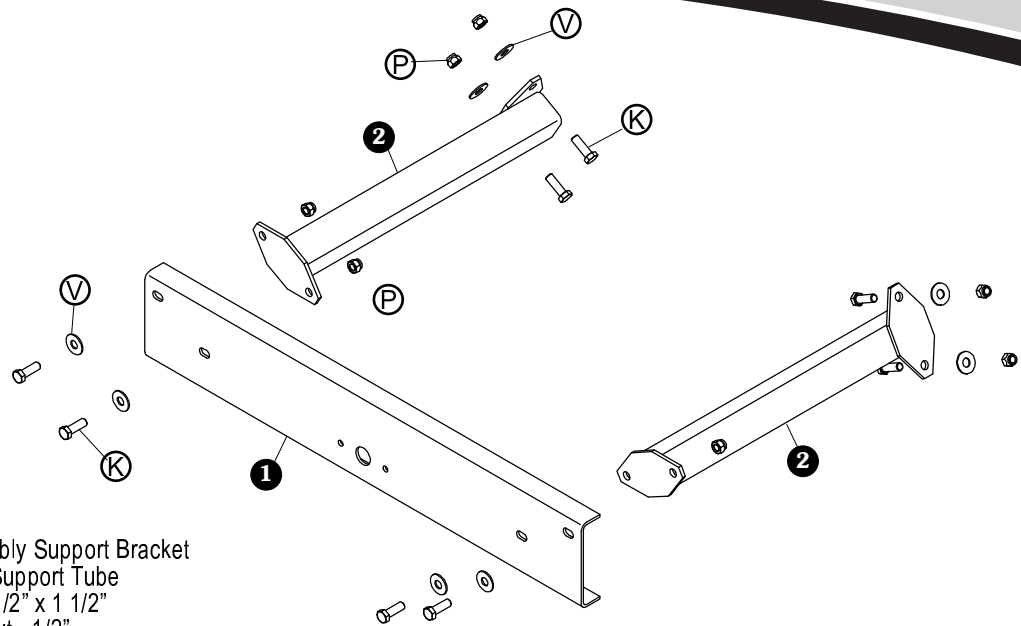


1701176 Flat Washer - 3/8"

V

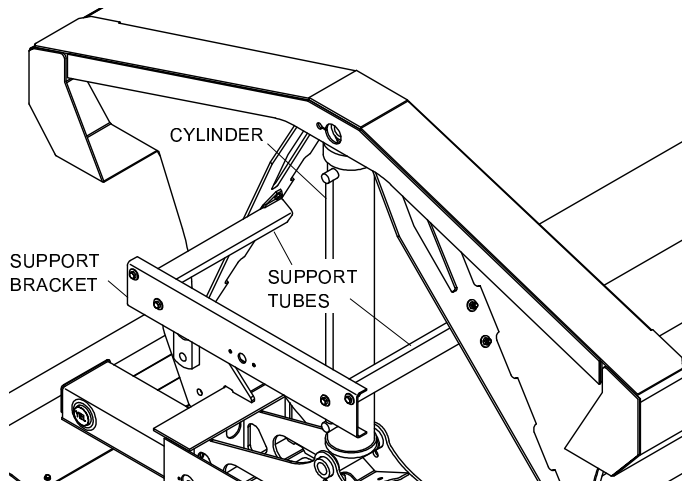


1702114 Flat Washer - 1/2"

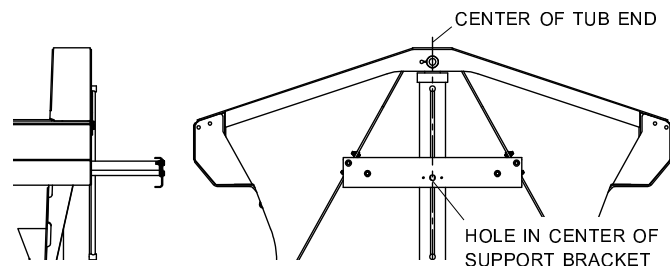


Item	Part #	Description
1.	1121490	Spring Assembly Support Bracket
2.	1121487	Spring Pivot Support Tube
K.	1702075	Cap Screw - 1/2" x 1 1/2"
P.	1702115	Nylon Lock Nut - 1/2"
V.	1702114	Flat Washer - 1/2"

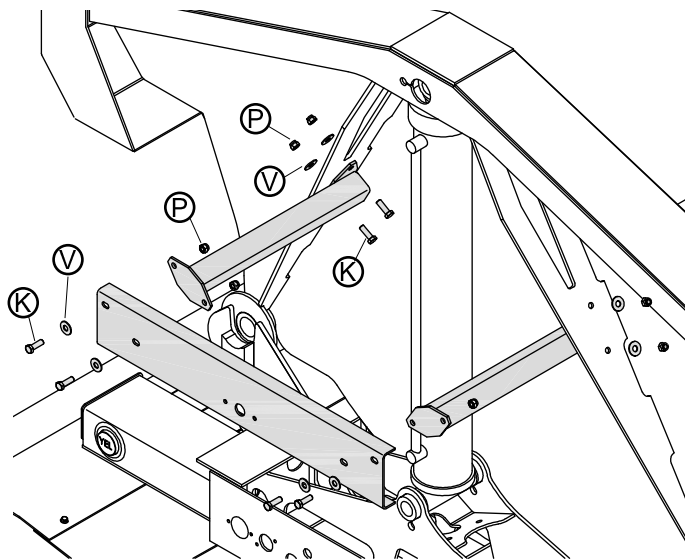
STEP 1: Assemble support tubes and support bracket to four slots in plates on either side of lift cylinder.



STEP 2: Align 1/4" hole in center of support bracket with center of tub end. Support bracket must be square and level to tub. Tighten all fasteners securely.

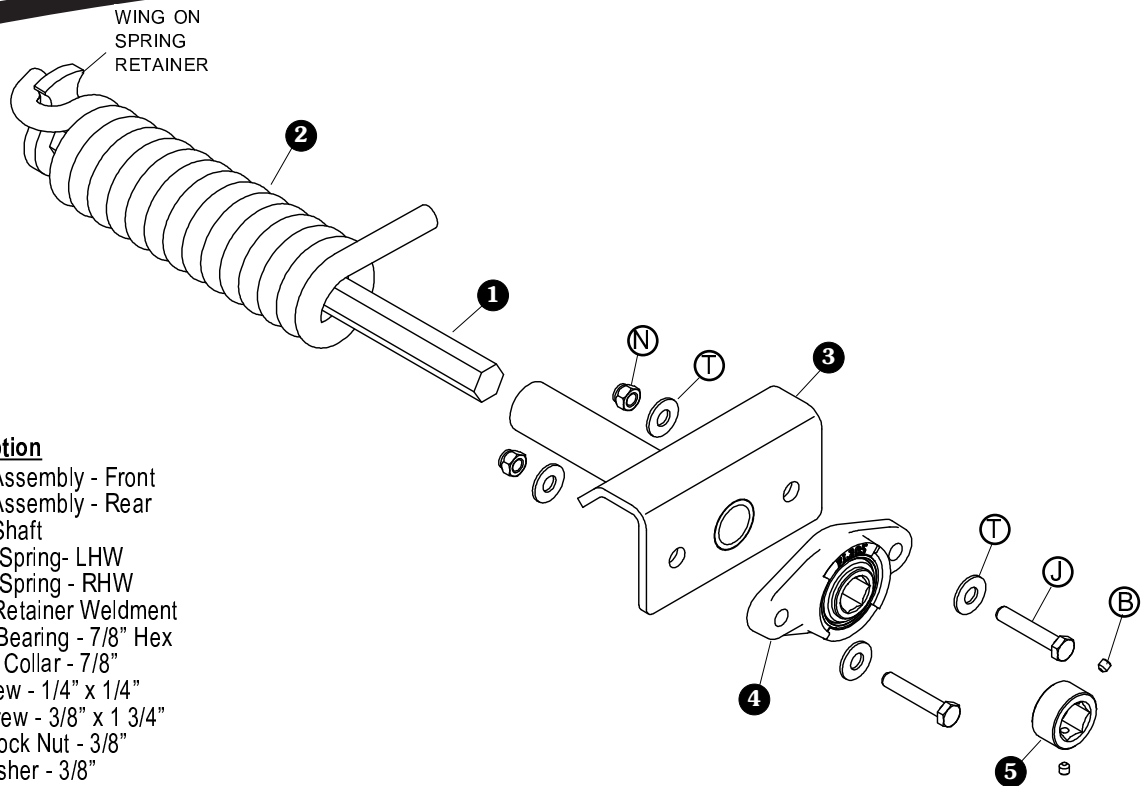


STEP 3: Fasten with screws (K), washers (V) and nuts (P). Tighten securely.



NOTE: End face of tub is sloped slightly and is not square to tub.

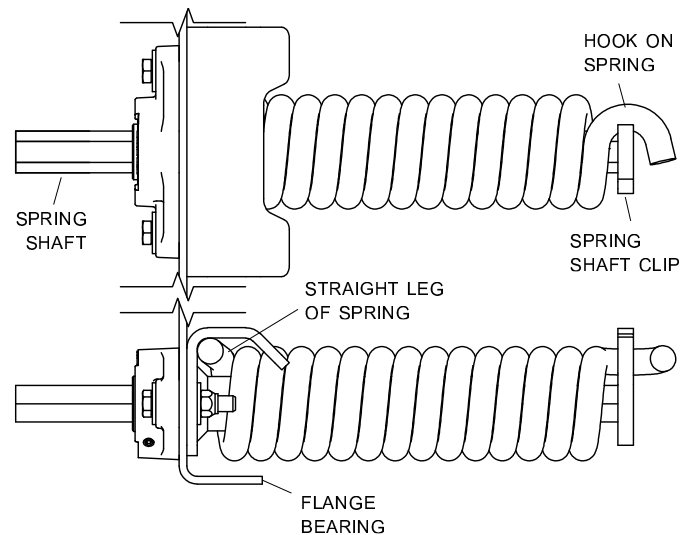
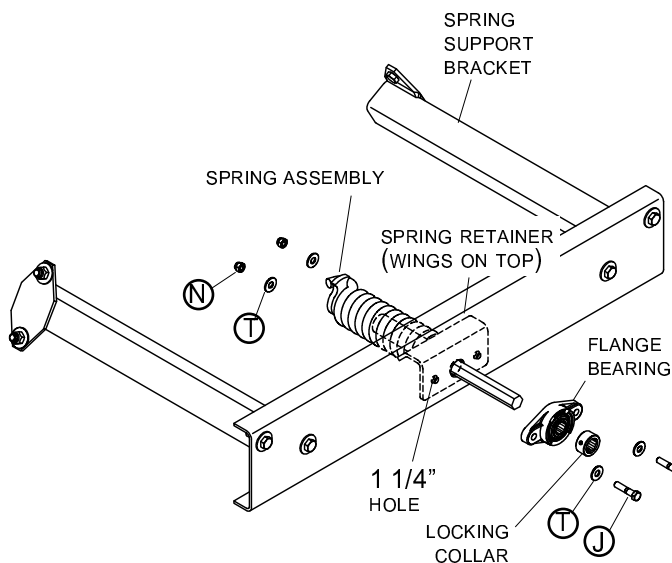
STEP 4: Repeat process on other side of tub.

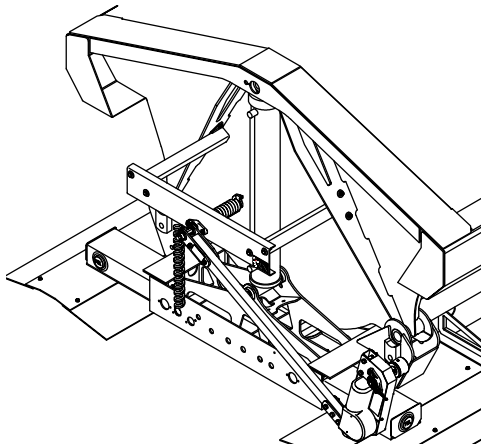


Item	Part #	Description
	1120909	Spring Assembly - Front
	1120910	Spring Assembly - Rear
1.	1704480	Spring Shaft
2.	1704476	Torsion Spring- LHW
	1704477	Torsion Spring - RHW
3.	1118955	Spring Retainer Weldment
4.	1704456	Flange Bearing - 7/8" Hex
5.	1704489	Locking Collar - 7/8"
B.	1704491	Set Screw - 1/4" x 1/4"
J.	1700369	Cap Screw - 3/8" x 1 3/4"
N.	1701580	Nylon Lock Nut - 3/8"
T.	1700429	Flat Washer - 3/8"

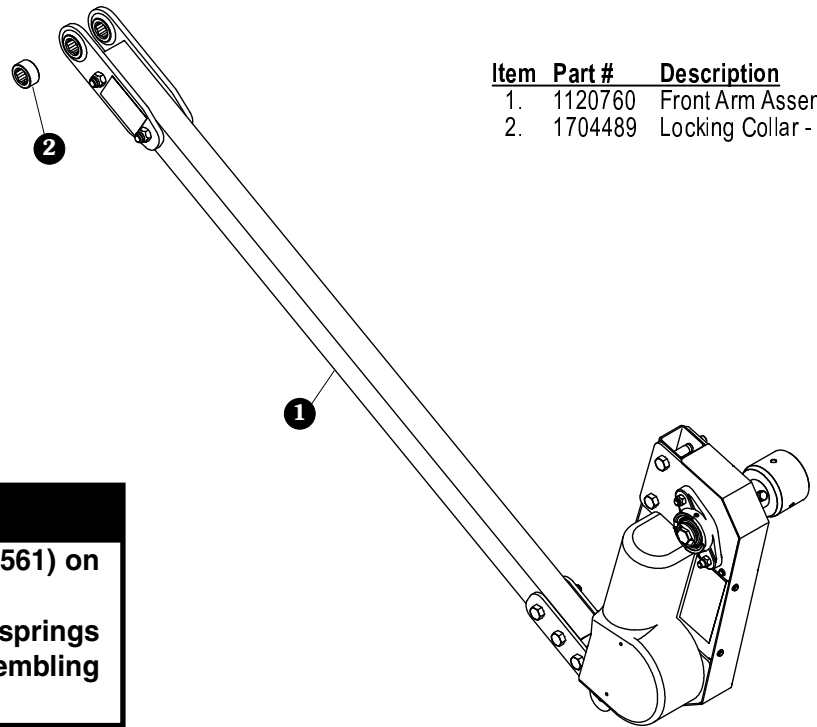
STEP 1: To install spring assembly, remove locking collar and flange bearing from spring assembly. Place spring assembly inside spring support bracket with hex shaft protruding through 1 1/4" hole. Slide flange bearing over shaft (wings of spring retainer should be on top). Insert screws (J) through flange bearing, spring support bracket and spring retainer. Fasten securely with washers (T) and lock nuts (N). Make sure shaft can turn easily. If shaft is sticking, loosen bolts and adjust shaft location.

STEP 2: Set spring shaft into position. Make sure spring is resting firmly against spring retainer with straight leg of spring rotated up and against wings of spring retainer. With spring in position, make sure clip on spring shaft is centered with hook on spring. Hex collar will be reinstalled after installation of return arms onto spring shaft.





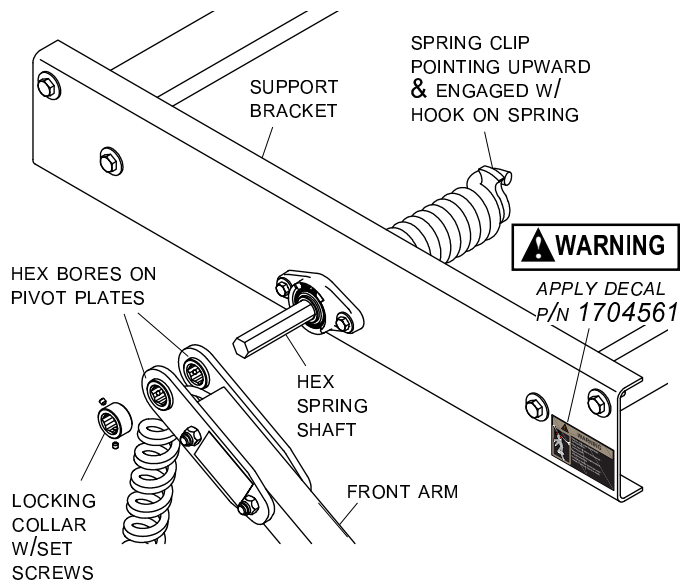
SHOWN ON FRONT OF TRAILER



Item	Part #	Description
1.	1120760	Front Arm Assembly
2.	1704489	Locking Collar - 7/8"

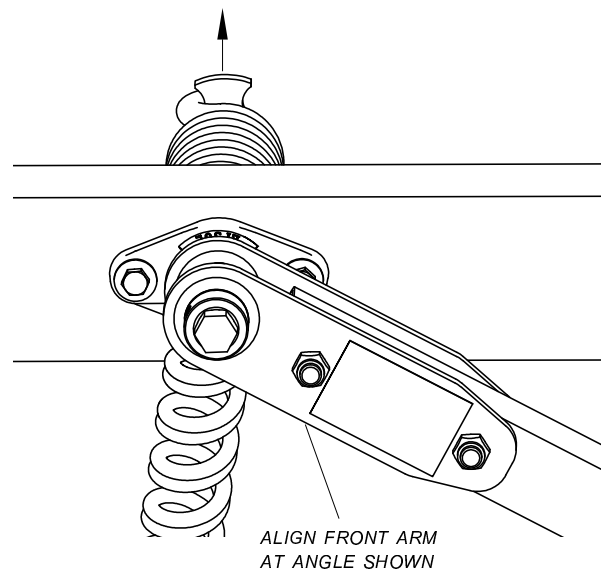
⚠ WARNING
 Apply arm warning decals (P/N 1704561) on box near spring pivot.
 Arms are under spring tension while springs are engaged. Use caution while assembling or disassembling arms.

STEP 1: Make sure spring clip on hex spring shaft is pointing upward and engaged with hook on spring.

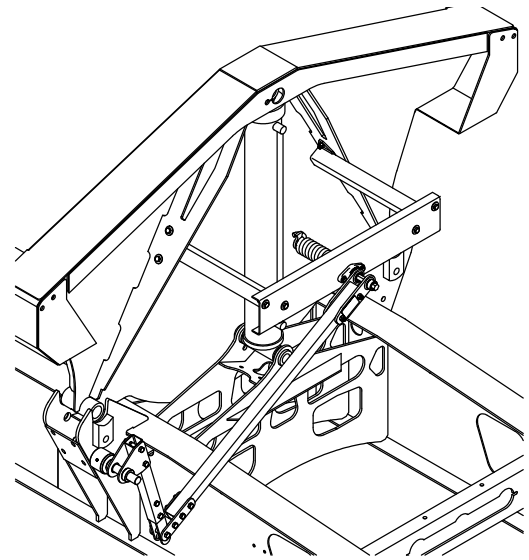
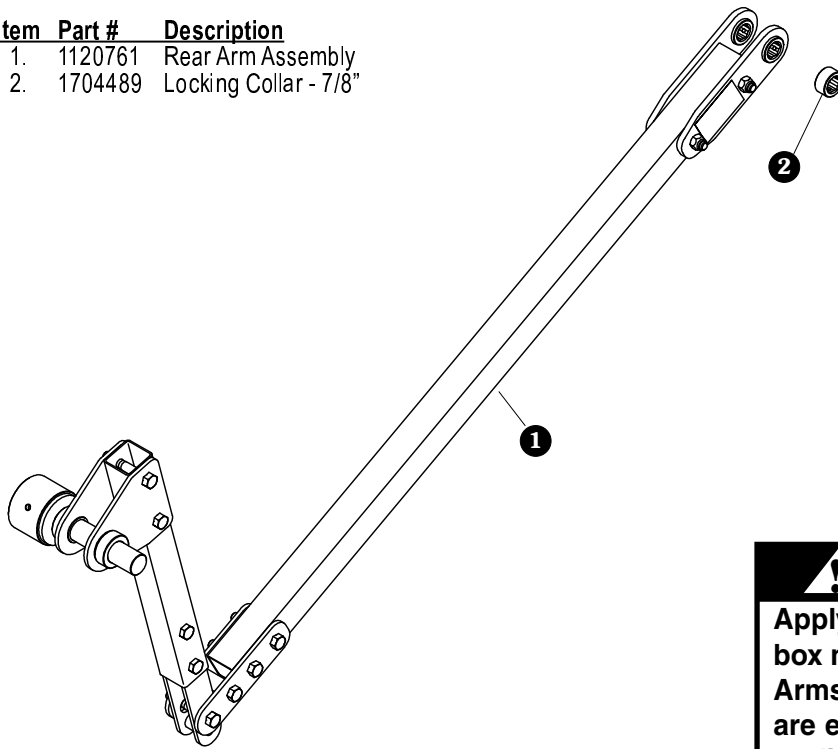


STEP 2: Loosen set screws and remove locking collar from spring shaft. Align hex bore on pivot plates with hex spring shaft as shown.

STEP 3: Slide front arm onto hex shaft until pivot plate contacts hex bearing. Make sure spring and spring shaft are still aligned correctly with each other and with support bracket, then slide locking collar back onto hex shaft. Tighten set screws to lock collar in place.



Item	Part #	Description
1.	1120761	Rear Arm Assembly
2.	1704489	Locking Collar - 7/8"



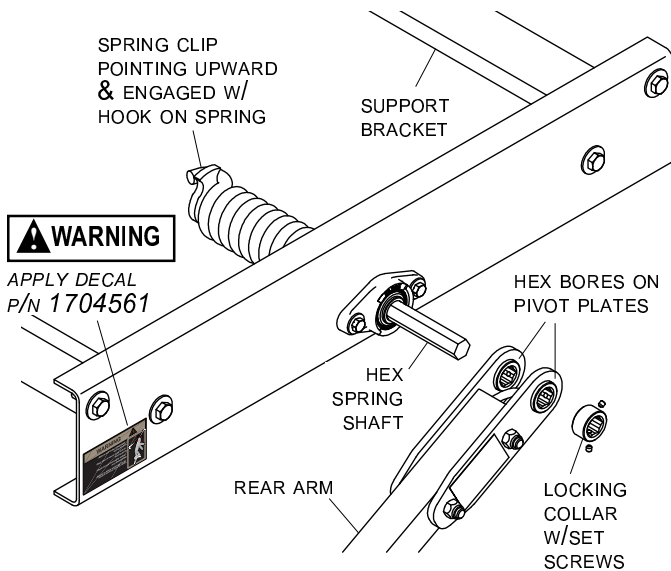
SHOWN ON REAR OF TRAILER

⚠ WARNING

Apply arm warning decals (P/N 1704561) on box near spring pivot.

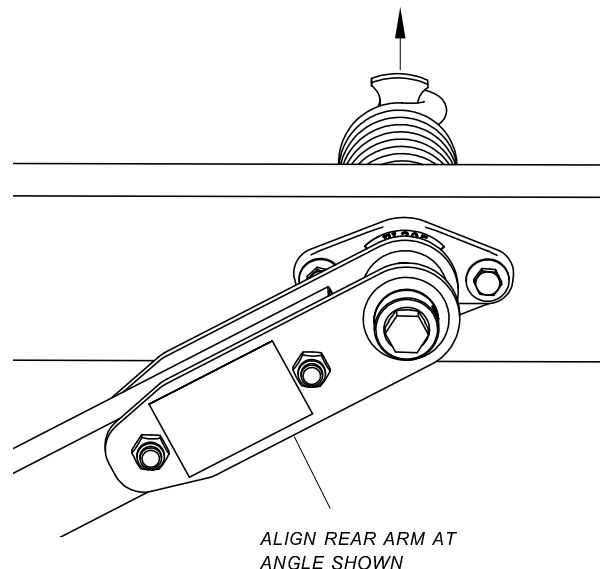
Arms are under spring tension while springs are engaged. Use caution while assembling or disassembling arms.

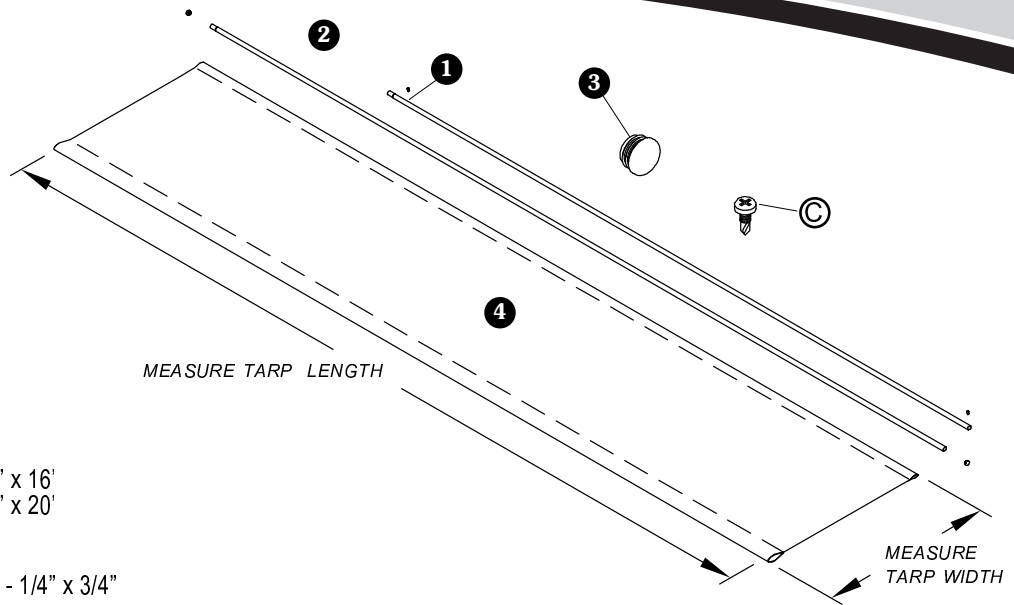
STEP 1: Make sure spring clip on hex spring shaft is pointing upward and engaged with hook on spring.



STEP 2: Loosen set screws and remove locking collar from spring shaft. Align hex bore on pivot plates with hex spring shaft as shown.

STEP 3: Slide rear arm onto hex shaft until pivot plate contacts hex bearing. Make sure spring and spring shaft are still aligned correctly with each other and with support bracket, then slide locking collar back onto hex shaft. Tighten set screws to lock collar in place.



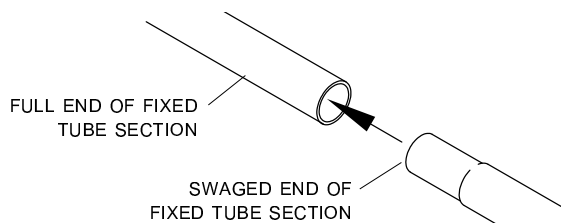


Item	Part #	Description
1.	1700051	Fixed Tube - 1 1/8" x 16'
2.	1700049	Fixed Tube - 1 1/8" x 20'
3.	1700523	End Plug - 1 1/8"
4.		Tarp
C.	1700398	Self-Drilling Screw - 1/4" x 3/4"

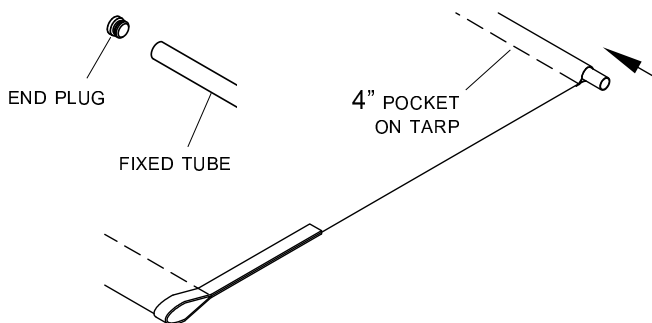
STEP 1: Open tarp and stretch tight. Measure and compare tarp measurements with those on spec sheet attached to tarp. Do not proceed with installation if tarp measurements do not match measurements specified on sheet. Call Shur-Co® or your local dealer for alterations or a replacement tarp.

NOTE: Tarps cannot be returned for free replacement beyond this point. Tarps damaged beyond this point may be returned for repair or replacement at owner's expense.

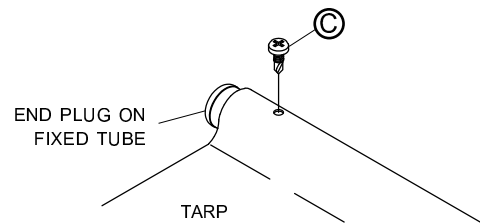
STEP 2: Insert swaged end of fixed tube section into full end of second tube section. Align tubes, weld and grind smooth.



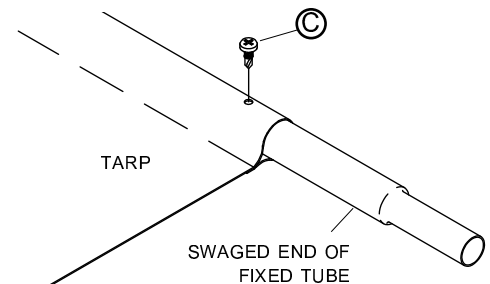
STEP 3: Install end plug into full end of tube weldment. Insert tube, end plug first, into 4" pocket on tarp.



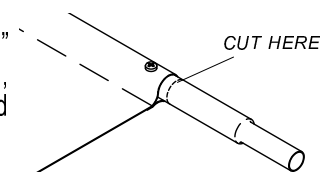
STEP 4: Extend fixed tube 1/4" past tarp edge, secure with 1/4" self-drilling screw C through tarp and into fixed tube.



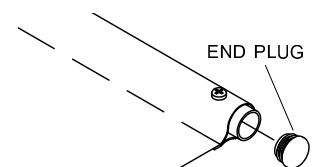
STEP 5: Stretch tarp along fixed tube, secure with 1/4" self-drilling screw C through tarp and into fixed tube.



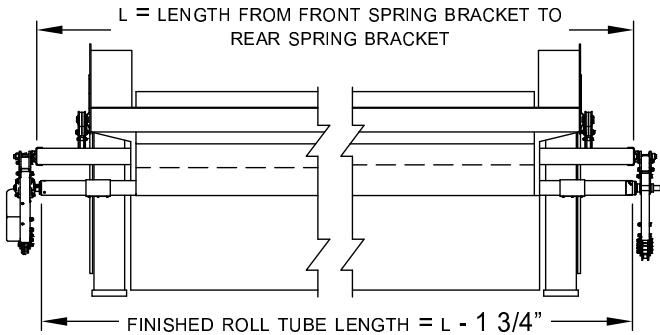
STEP 6: Cut fixed tube 1/4" past edge of tarp, removing swaged end. Grind smooth.



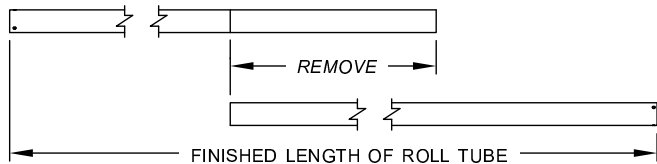
STEP 7: Insert end plug.



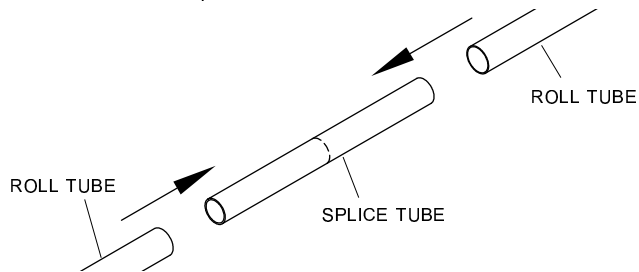
STEP 1: To determine finished length of roll tube, measure from face of front spring mounting bracket to face of rear spring mounting bracket. Subtract 1 3/4" from this measurement to get finished roll tube length.



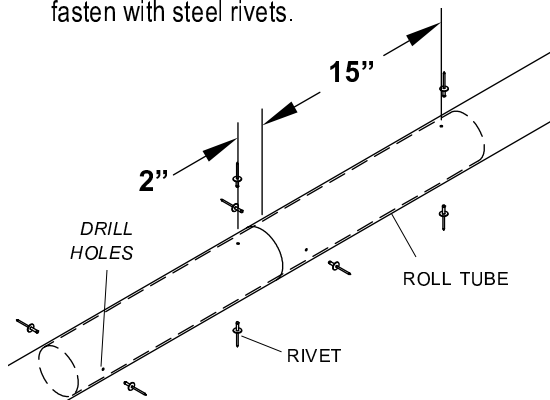
STEP 2: Subtract finished roll tube length from total length of both roll tubes. Cut remainder from one roll tube, removing end without pre-drilled holes.



STEP 3: Join inside roll tube sections with splice tube. Insert half of splice tube into each roll tube.



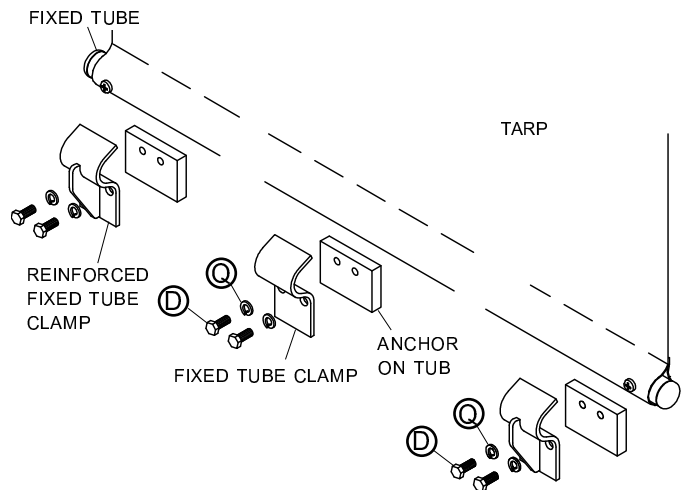
STEP 4: Drill 1/2" holes in roll tube only and plug-weld roll tubes to splice tube, or if an aluminum welder is not available, drill 3/16" holes through both tubes and fasten with steel rivets.



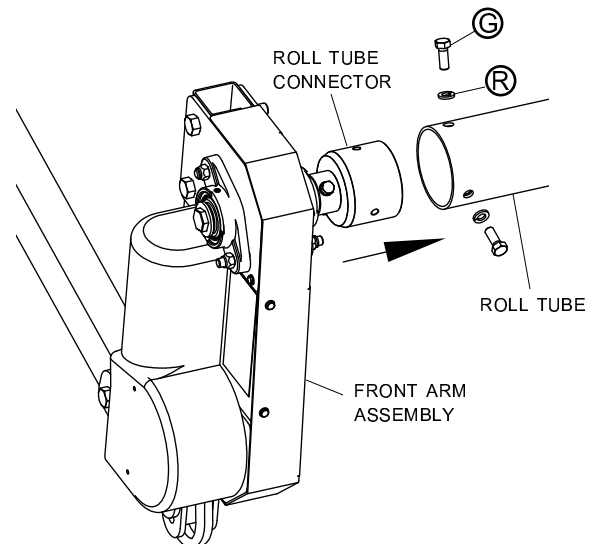
STEP 5: With tarp laying flat and facing up (center reinforcement on bottom side), slide assembled roll tube through large pocket in tarp. Roll tarp around roll tube, toward fixed tube.

TIPS: Inflate 8" tarp pocket with air chuck while inserting roll tube. For ease of handling, wind tarp on roll tube completely before lifting tarp onto box.

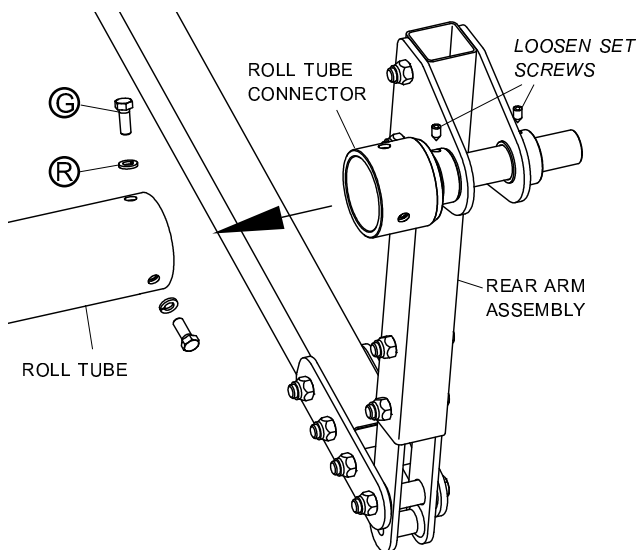
STEP 6: Lift tarp assembly on top of fixed tube side of tub and clamp in place if desired. Unwind tarp to allow fixed tube side of tarp to reach anchors on side of tub. Center tarp on tub and secure tarp into anchors with fixed tube clamps, screws **D** and washers **Q**. Place reinforced fixed tube clamps on outer anchors on tub and standard fixed tube clamps on remaining anchors.



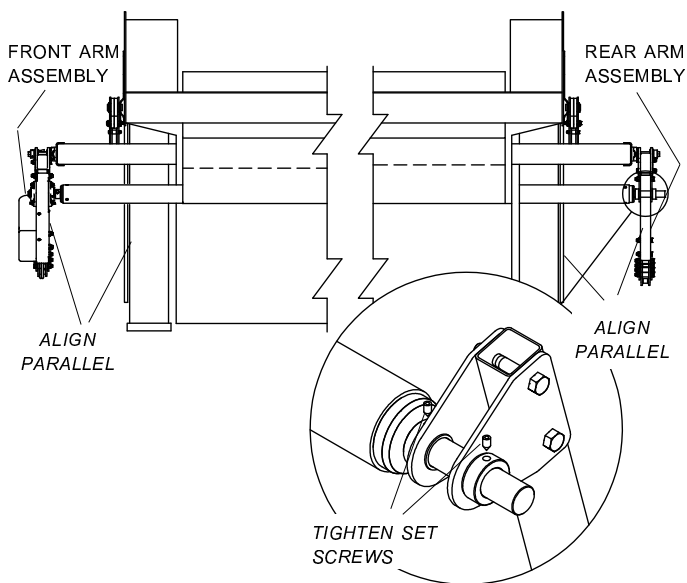
STEP 7: Unroll tarp completely over driver side of tub allowing roll tube and tarp to hang freely. Lift front arm and insert roll tube connector into roll tube. Thread screws **G** with lock washers **R** into threaded holes on front roll tube and roll tube connector. Finger tighten only.



STEP 8: On rear arm, loosen set screws on rear roll tube connector locking collars. Lift rear arm and insert roll tube connector into roll tube. Thread screws **G** with lock washers **R** into threaded holes on rear roll tube and roll tube connector. Finger tighten only.

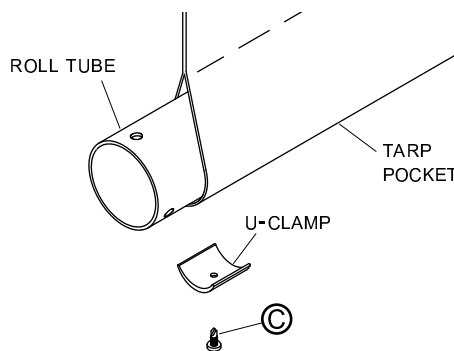


STEP 9: Align front and rear arms parallel to front and rear of tub, then tighten screws **G**. Tighten locking collar set screws onto rear roll tube connector.

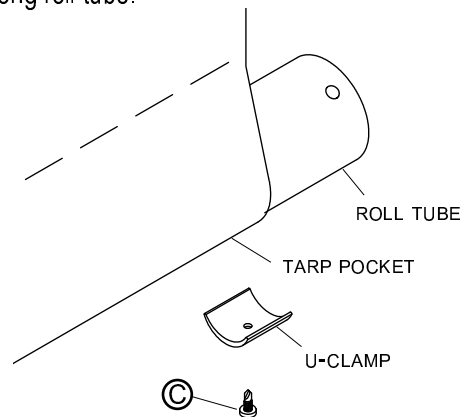


STEP 10: Center tarp between bulkheads and stretch tarp to remove as many wrinkles as possible. Make sure front and rear arms are still parallel to front and rear of tub.

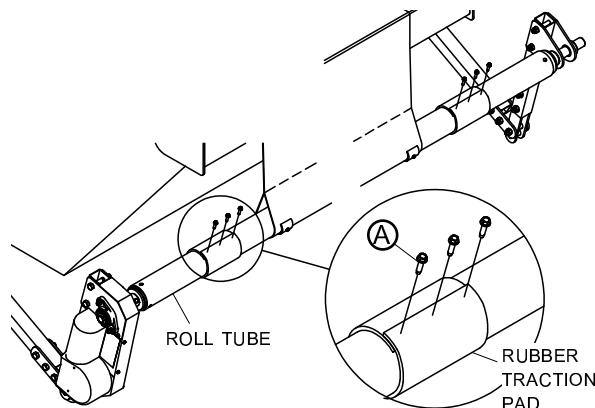
STEP 11: Center first U-clamp on front tarp hem and position screw **C** on crease at bottom of tarp pocket. Fasten U-clamp to tarp and roll tube with screw **C**.

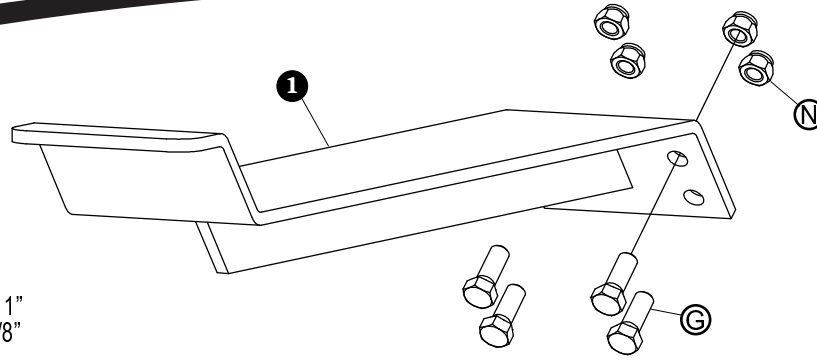


STEP 12: Stretch tarp along roll tube to remove as many wrinkles as possible. Install U-clamp on rear tarp hem. Evenly space and fasten remaining U-clamps along roll tube.



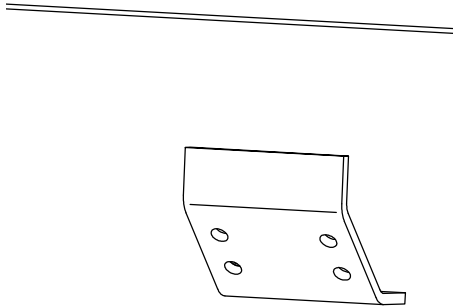
STEP 13: Install rubber traction pad at each end of roll tube so pads will track over bulkhead. Fasten traction pads by wrapping pads around roll tube and tightly overlapping ends. Secure traction pads to roll tube with three screws **A**.



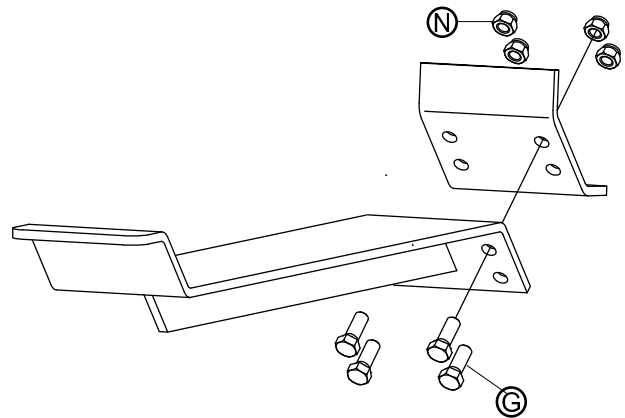


Item	Part #	Description
1.	1121486	Tarp Cradle
G.	1701061	Cap Screw - 3/8" x 1"
N.	1701580	Nylon Lock Nut - 3/8"

STEP 1: Find existing tarp cradle mounts on passenger side of tub.



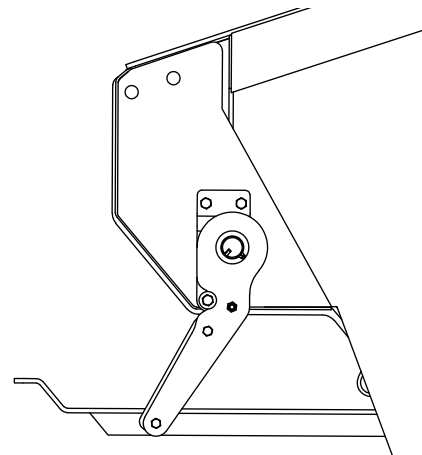
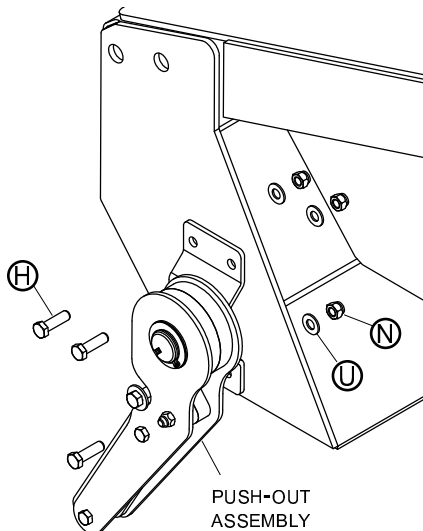
STEP 2: Fasten tarp cradles to existing mount as shown with screws **G** and nuts **N**.



TARP ROLL PUSH-OUT INSTALLATION

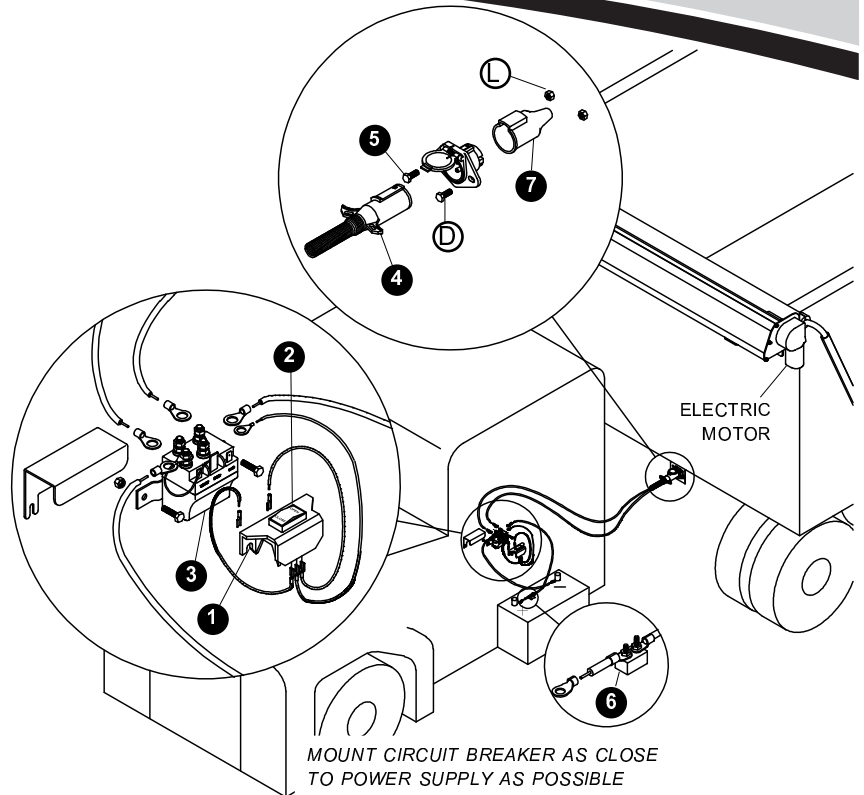
Item	Part #	Description
1.	1120755	Push-Out Assembly - Front
	1120756	Push-Out Assembly - Rear
H.	1702891	Cap Screw - 3/8" x 1 1/4"
N.	1701580	Nylon Lock Nut - 3/8"
U.	1701176	Lock Washer - 3/8"

STEP 1: Align front push-out on end face of passenger side top rail as shown. Using mounting bracket as a guide, mark and drill 3/8" holes and fasten push-out securely with screws **H**, washers **U** and nuts **N**. Repeat process on other end of top rail on passenger side.

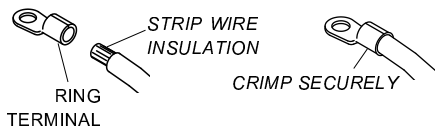


SHOWN INSTALLED

Item	Part #	Description
1.	1703661	Rocker Switch Mounting Bracket
2.	1116020	Rocker Switch
3.	1703845	Motor Reversing Solenoid
4.	1115385	Heavy-Duty Dual-Conductor Plug
5.	1115386	Heavy-Duty Dual-Conductor Socket
6.	1703480	50-Amp Auto-Reset Circuit Breaker
7.	1704573	Conductor Socket Sealed Boot
D.	1701045	Cap Screw - 5/16" x 3/4"
L.	1700411	Hex Nut - 5/16"



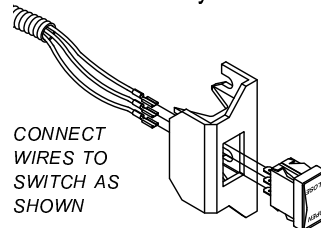
NOTE: Cut wires to length and strip only enough wire insulation to install ring terminals. Insert bare wire into ring terminals and crimp securely.



STEP 1: Mount circuit breaker as close as possible to battery or power supply.

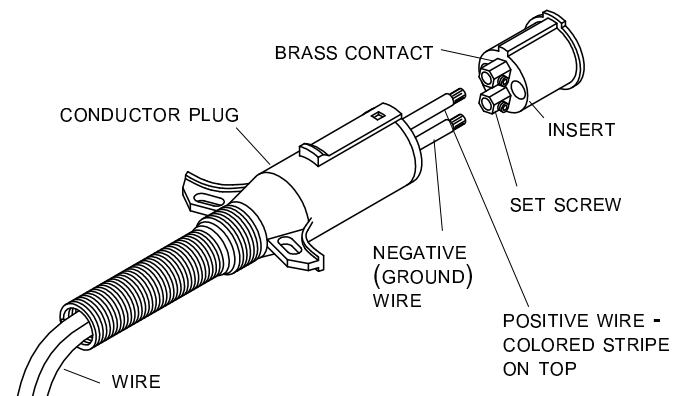
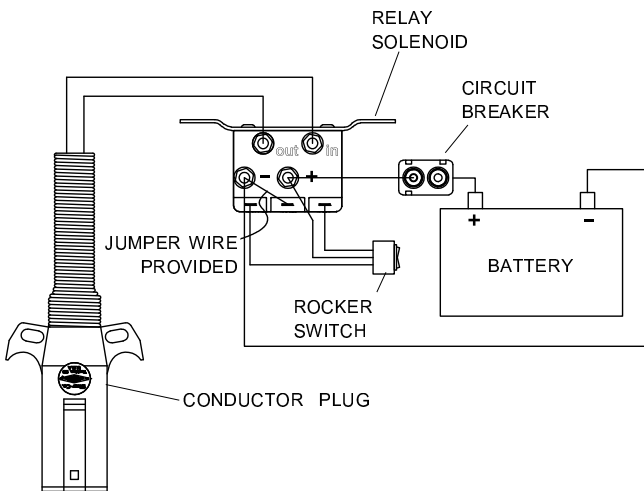
STEP 2: Mount solenoid in a suitable location - a ventilated area near the battery is ideal. Determine best route for wire. This is usually along the frame with existing wire harness. Run 6-ga. wire from conductor plug to solenoid and from power supply to solenoid as shown in diagram. Run 14-ga. wires from solenoid to switch.

STEP 3: Locate rocker switch in a convenient operating location. Mount switch inside cab with bracket or install directly into dash panel.

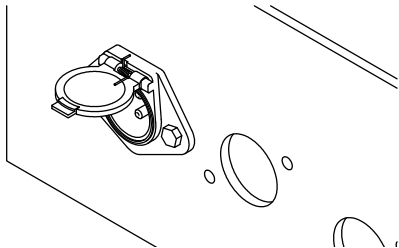


! WARNING
Apply operation warning decal (P/N 1704562) in same location as switch.

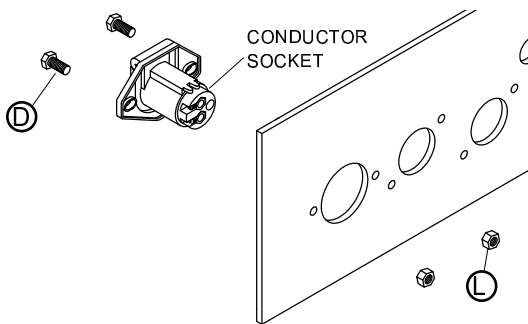
STEP 4: Unfasten and remove insert from conductor plug. Feed 6-ga. wire through plug and into brass contacts on insert. Tighten set screws to secure wires. Replace insert into conductor plug and secure screw.



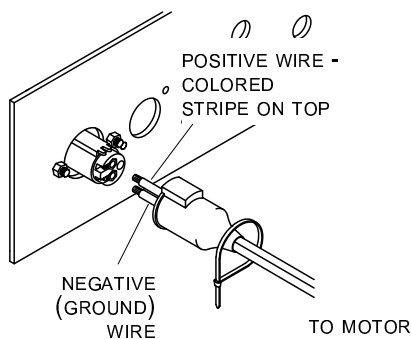
STEP 1: Conductor socket must be mounted in an existing location on trailer or new mounting holes may be cut into trailer.



STEP 2: Fasten conductor socket into mounting holes with screws **D** and nuts **L**.



Run coiled 6-ga. wire from motor through sealed boot. Connect wire to conductor socket, aligning positive wire on socket with positive wire on conductor plug. Slide sealed boot against conductor socket and secure boot to wire with cable tie.



OPERATION

A) Check motor direction by activating switch to "OPEN." If switch is running system backwards, change wire leads on solenoid or switch to opposite connections.

B) Close tarp: Push switch to "CLOSE" and hold. Observe tarp and release switch when tarp is fully closed.

C) Open tarp: Push switch to "OPEN" and hold. Observe tarp and release switch when tarp is fully opened.

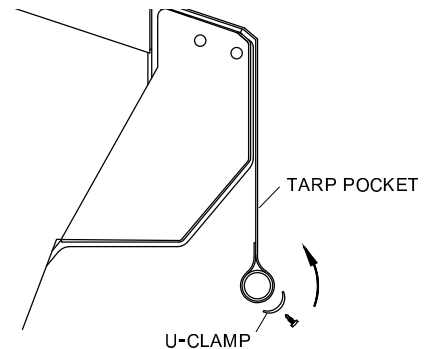
NOTE: Release switch at end of cycle or auto-reset circuit breaker will trip. After breaker resets, switch will activate motor again. To reduce unnecessary strain on tarp components, release switch at end of each cycle.

TARP TRACKING/SPEED ADJUSTMENT

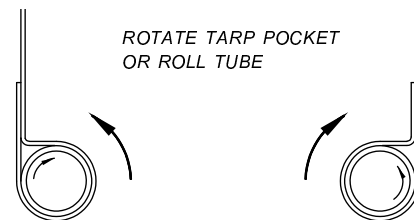
Ideally, tarp should roll completely open evenly (front and back of roll tube stopping in same position). If roll tube is fully opening at one end before the other, adjust roll tube and U-clamps as shown so tarp will track more evenly.

STEP 1: Unroll tarp completely, allowing roll tube side of tarp to hang loosely.

STEP 2: Remove U-clamp at front hem of tarp. Rotate tarp pocket 1/8 turn on roll tube and reinstall U-clamp.



STEP 3: Test operation to check tarp tracking. If more adjustment is needed, remove U-clamp, rotate tarp pocket again and recheck operation until tarp is tracking evenly.

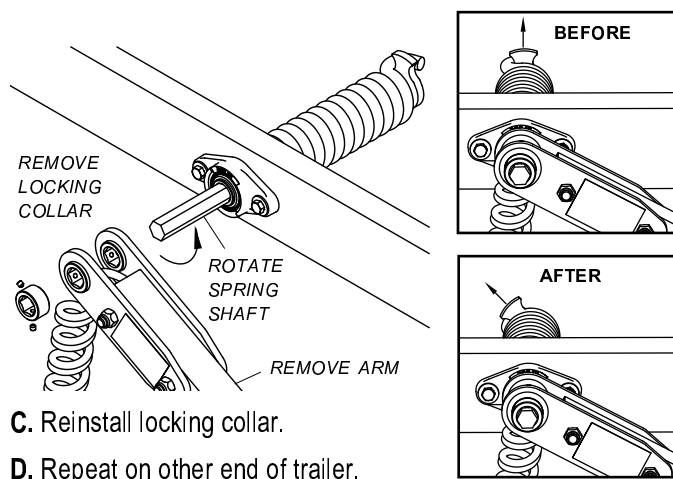


TIP: To make it easier to twist the tarp pocket, use the electric motor to turn the roll tube in the opposite direction from which you are turning the tarp pocket.

CAUTION
Check all hardware for complete assembly before operating. Inspect system at this time and adjust as required.

Increase preload on spring if return arms will not lift tarp roll out from under top rail while attempting to close tarp.

- A. Remove hex locking collar, then remove arm from spring shaft.
- B. Use a 7/8" wrench or pipe wrench to rotate shaft to next flat on hexagonal spring shaft and reinstall arm.

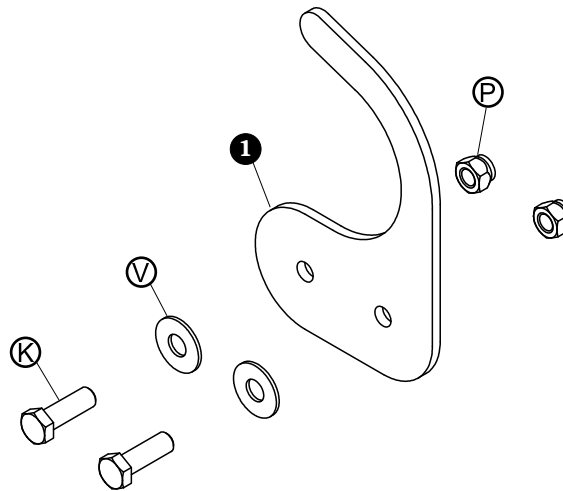


- C. Reinstall locking collar.
- D. Repeat on other end of trailer.



WARNING

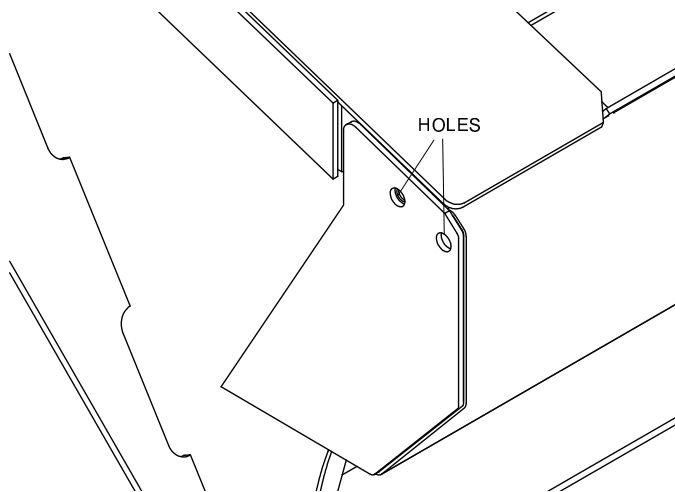
Use caution when pre-loading springs. Do not let go of pipe wrench until spring pressure is relieved.



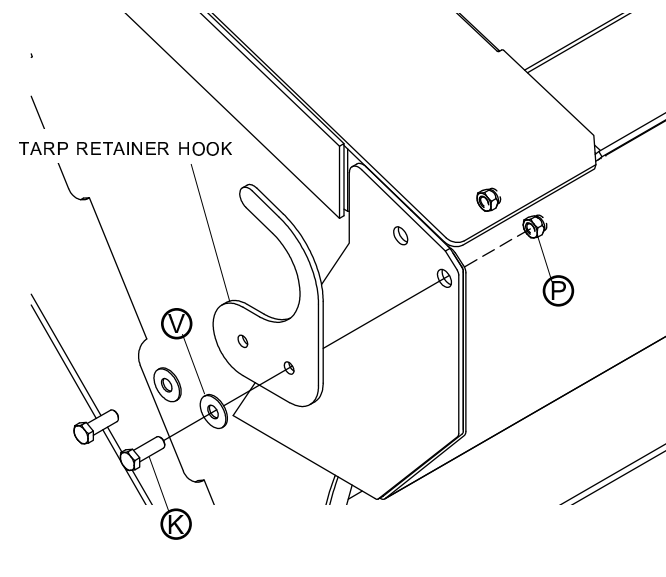
Item	Part #	Description
1.	1120740	Tarp Retainer Hook
K.	1702075	Cap Screw - 1/2" x 1 1/2"
P.	1702115	Nylon Lock Nut - 1/2"
V.	1702114	Flat Washer - 1/2"

Tarp retainer hooks hold the tarp in place while the tarp is closed and must be installed on driver side of top rail at each end of tub.

STEP 1: Find existing holes on driver side top rail at each end of tub.



STEP 2: Position tarp retaining hooks as shown and fasten to top rail using screws (K), washers (V) and nuts (P).





WARNING

In case of motor failure, before disconnecting return arms from roll tube while springs are under tension, arms must be supported and secured. Failure to adequately support and secure arms could result in serious injury or death.

IN EVENT OF MOTOR FAILURE

Secure both front and rear return arms with power pullers (come-alongs). Attach power pullers to arms, not to roll tube. Attach other end of power puller to side of trailer to which tarp is fixed. Tighten power pullers until tension on tarp is relieved. Power pullers will now be securing arms in position.



WARNING

Understand how to safely operate power puller before using.

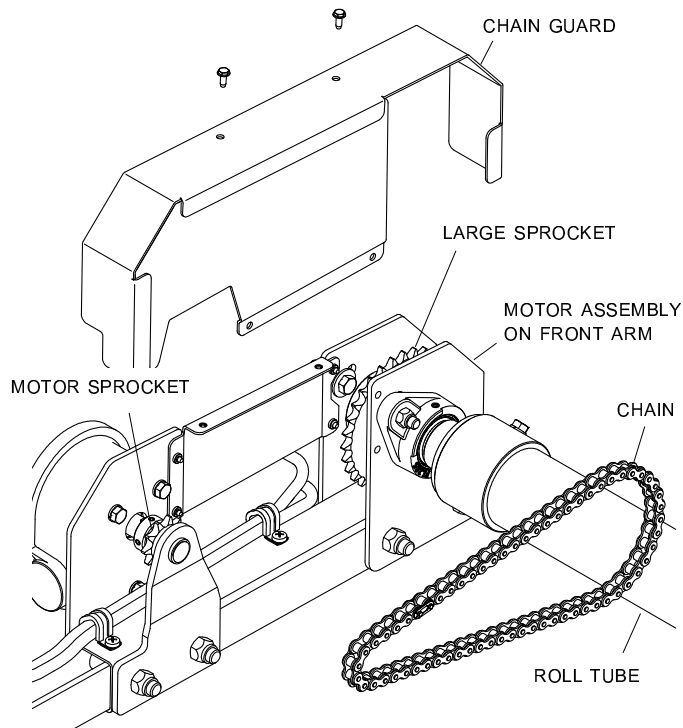
Remove chain guard from motor assembly. Disconnect chain from sprockets so that large sprocket can spin free of motor sprocket.

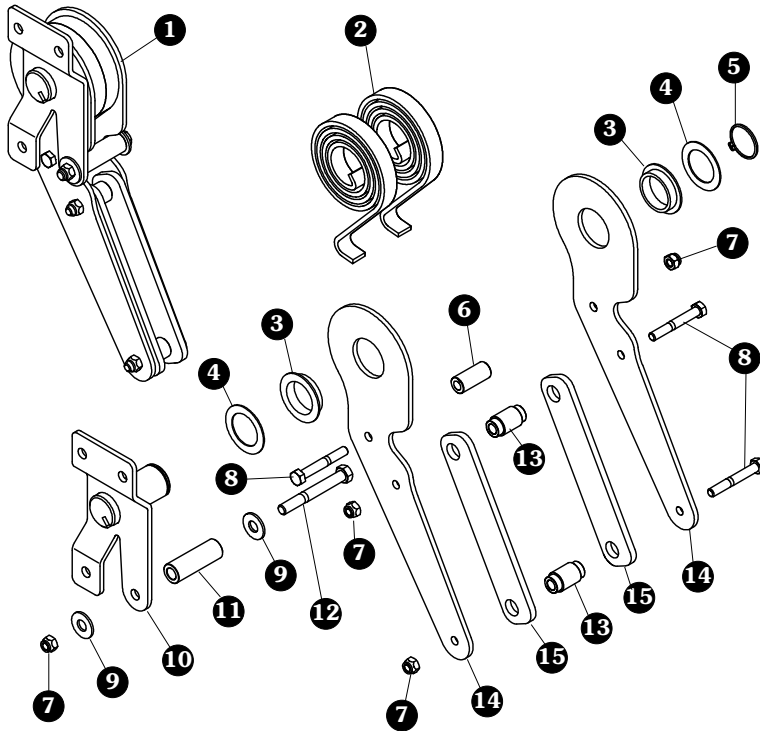
Slowly adjust power pullers, allowing arms and roll tube to travel to a fully uncoiled position (do not disconnect arms). Once tarp is fully unrolled, roll tube can be safely disconnected from both front and rear arms.



WARNING

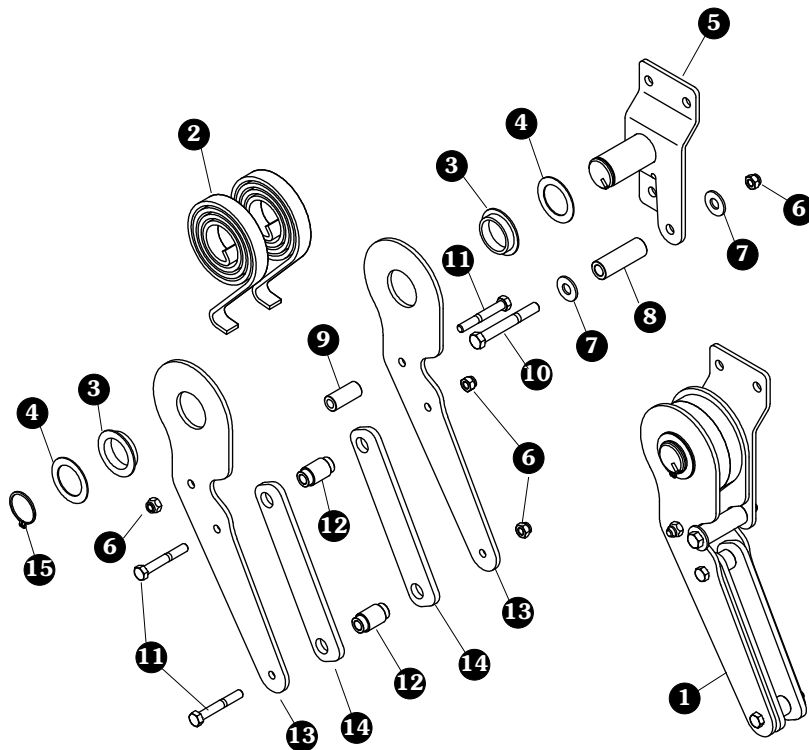
Do not unroll tarp unless area near driver side of trailer is clear of people.





PUSH-OUT ASSEMBLY - FRONT

Item	Part #	Description
1.	1120755	Push-Out Assembly - Front
2.	1111027	Spiral Torsion Spring
3.	1704468	Flange Bushing - 1.281" x 1.522"
4.	1702890	Flat Washer - 1 1/4" x 1 7/8"
5.	1702888	Retaining Ring - 1 1/4"
6.	1120753	Push-Out Spring Catch
7.	1700419	Nylon Lock Nut - 5/16"
8.	1202899	Cap Screw - 5/16" x 2 1/4"
9.	1700429	Flat Washer - 3/8"
10.	1120746	Push-Out Pivot Weldment - Front
11.	1120752	Push-Out Stop Tube
12.	1700371	Cap Screw - 3/8" x 3"
13.	1704787	Push-Plate Spacer
14.	1120745	Push-Out Plate
15.	1120754	Push-Out Wear Band

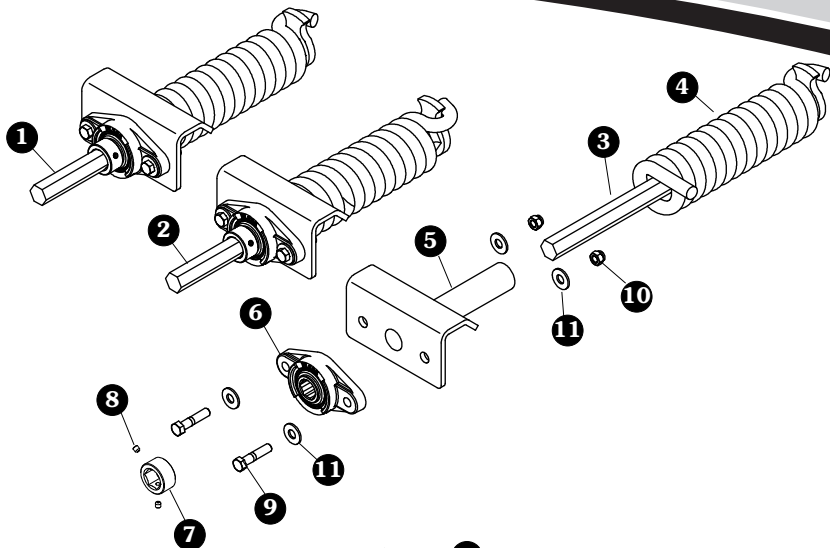


PUSH-OUT ASSEMBLY - REAR

Item	Part #	Description
1.	1120756	Push-Out Assembly - Rear
2.	1111027	Spiral Torsion Spring
3.	1704468	Flange Bushing - 1.281" x 1.522"
4.	1702890	Flat Washer - 1 1/4" x 1 7/8"
5.	1120743	Push-Out Pivot Weldment - Rear
6.	1700419	Nylon Lock Nut - 5/16"
7.	1700429	Flat Washer - 3/8"
8.	1120752	Push-Out Stop Tube
9.	1120753	Push-Out Spring Catch
10.	1700371	Cap Screw - 3/8" x 3"
11.	1202899	Cap Screw - 5/16" x 2 1/4"
12.	1704787	Push-Plate Spacer
13.	1120745	Push-Out Plate
14.	1120754	Push-Out Wear Band
15.	1702888	Retaining Ring - 1 1/4"

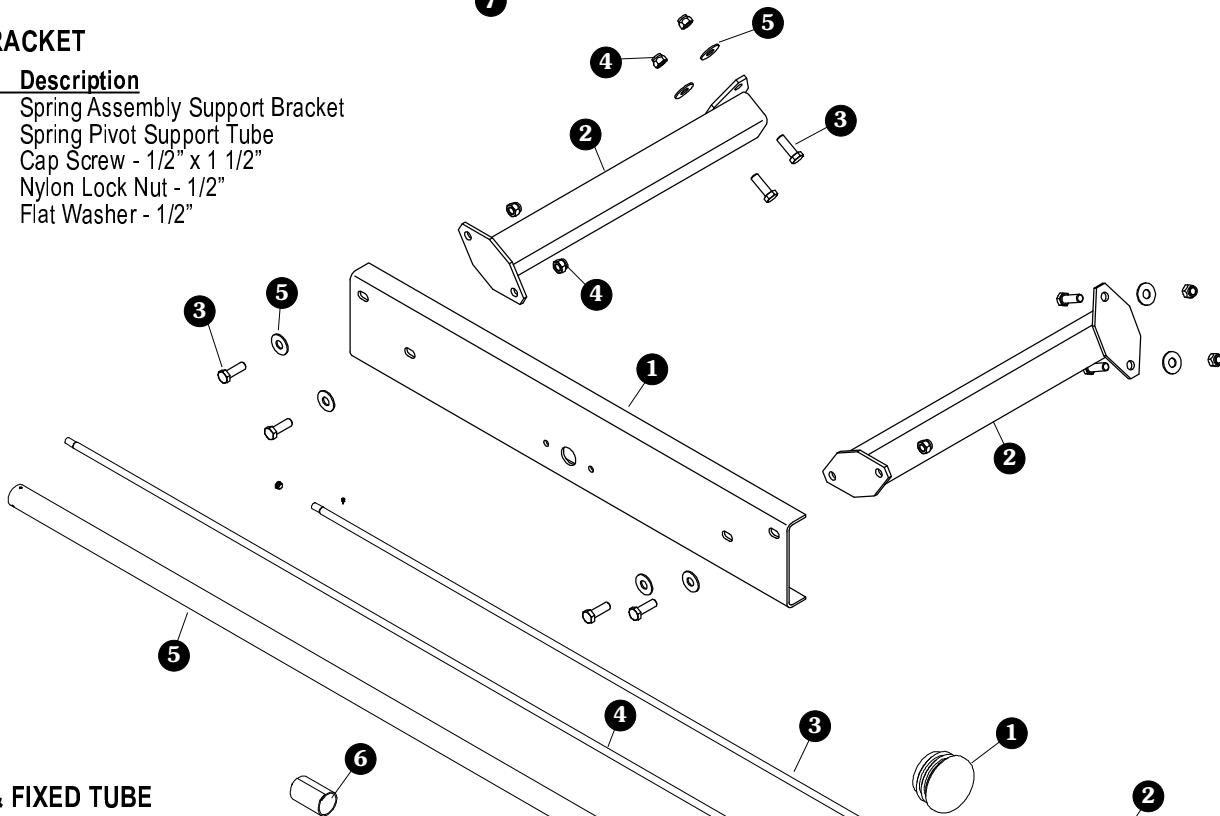
SPRING ASSEMBLY

Item	Part #	Description
1.	1120909	Spring Assembly - Front
2.	1120910	Spring Assembly - Rear
3.	1704480	Spring Shaft
4.	1704476	Torsion Spring- LHW
	1704477	Torsion Spring- RHW
5.	1118955	Spring Retainer Weldment
6.	1704456	Flange Bearing - 7/8" Hex
7.	1704489	Locking Collar - 7/8"
8.	1704491	Set Screw - 1/4" x 1/4"
9.	1700369	Cap Screw - 3/8" x 1 3/4"
10.	1701580	Nylon Lock Nut - 3/8"
11.	1700429	Flat Washer - 3/8"



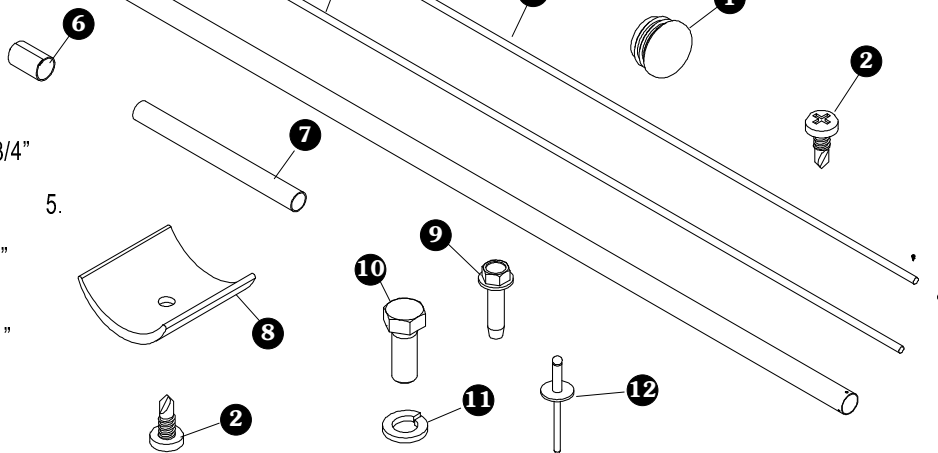
SUPPORT BRACKET

Item	Part #	Description
1.	1121490	Spring Assembly Support Bracket
2.	1121487	Spring Pivot Support Tube
3.	1702075	Cap Screw - 1/2" x 1 1/2"
4.	1702115	Nylon Lock Nut - 1/2"
5.	1702114	Flat Washer - 1/2"



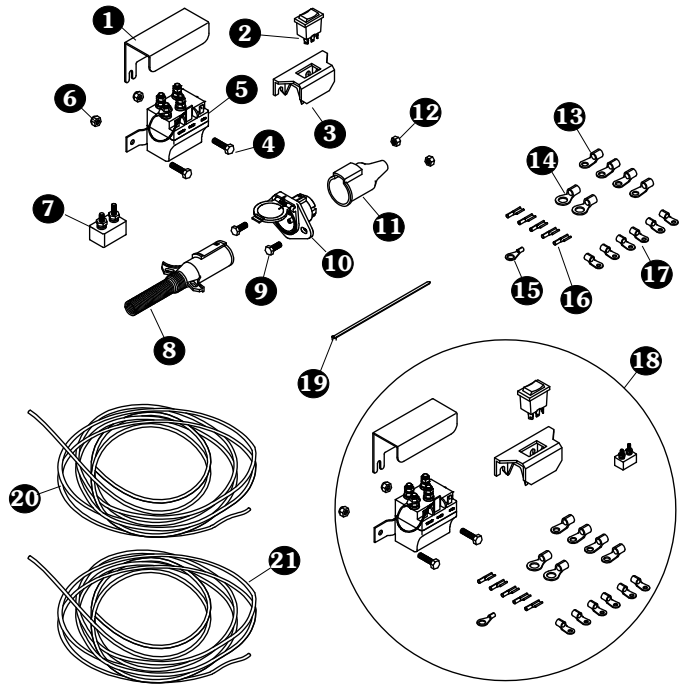
ROLL TUBE & FIXED TUBE

Item	Part #	Description
1.	1700523	End Plug - 1 1/8"
2.	1700398	Self-Drilling Screw - 1/4" x 3/4"
3.	1700051	Fixed Tube - 1 1/8" x 16'
4.	1700049	Fixed Tube - 1 1/8" x 20'
5.	1120913	Roll Tube - 20'
6.	1704791	Rubber Belting - 6" x 12 1/2"
7.	1120911	Splice Tube
8.	1701354	Plastic U-Clamp
9.	1701471	Self-Drilling Screw - #12 x 1"
10.	1701061	Cap Screw - 3/8" x 1"
11.	1700434	Lock Washer - 3/8"
12.	1704337	Blind Rivet - 3/16" x 5/8"



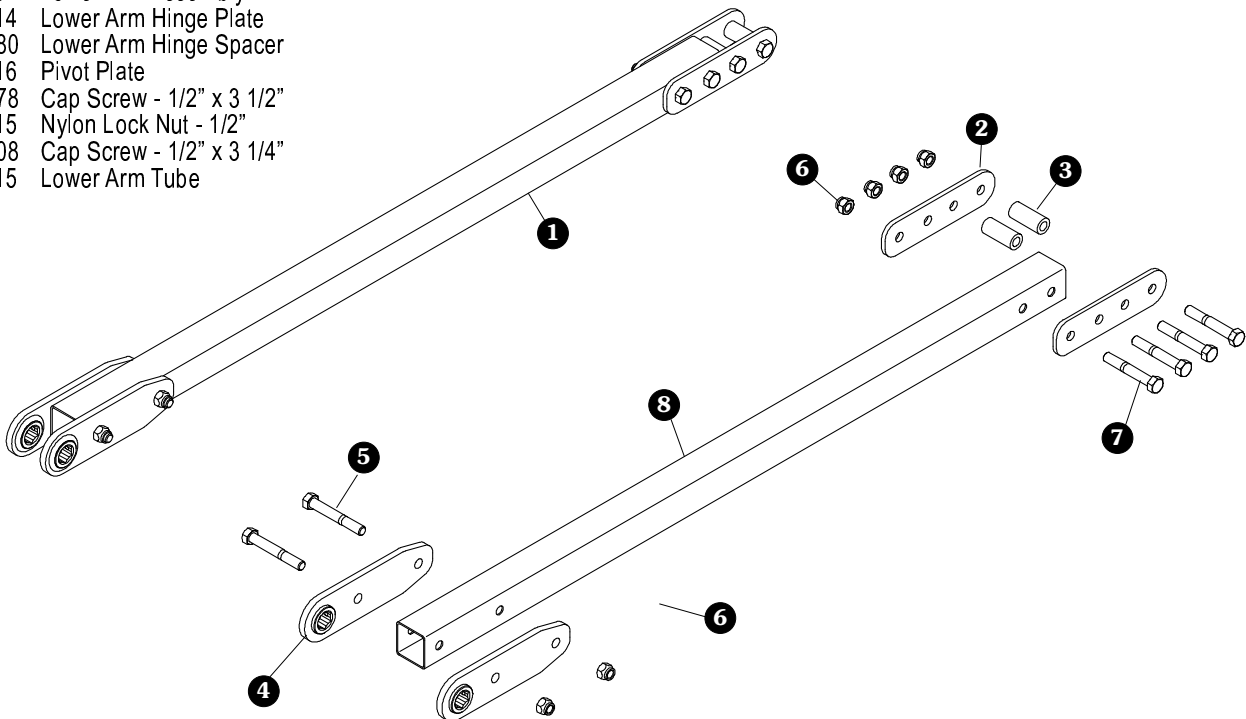
ELECTRIC WIRING

Item	Part #	Description
1.	1703896	Solenoid Cover
2.	1116020	Rocker Switch
3.	1703661	Rocker Switch Mounting Bracket
4.	1700381	Cap Screw - 1/4" x 1"
5.	1703845	Motor Reversing Solenoid
6.	1701543	Nylon Lock Nut - 1/4"
7.	1703480	50-Amp Auto-Reset Circuit Breaker
8.	1115385	Heavy-Duty Dual-Conductor Plug
9.	1701045	Cap Screw - 5/16" x 3/4"
10.	1115386	Heavy-Duty Dual-Conductor Socket
11.	1704573	Conductor Socket Sealed Boot
12.	1700411	Hex Nut - 5/16"
13.	1703245	Ring Terminal - 6 Ga. x #10 Stud - Motor/Breaker
14.	1703244	Ring Terminal - 6 Ga. x 3/8" Stud - Battery
15.	1703660	Ring Terminal - 14 Ga. x 5/16" Stud - Solenoid
16.	1703659	Push-On Terminal - 14 Ga. x 1/4" - Switch/Solenoid
17.	1702707	Ring Terminal - 6 Ga. x 1/4" Stud - Motor/Solenoid
18.	1116271	Electrical Parts Kit - Rocker Switch - 50 Amp
19.	1703231	Cable Tie - 8"
20.	1116482	Electric Wire - 14 Ga. - 3 Lead - 15'
21.	1703822	Dual Conductor Wire - 6 Ga. - 259 Strand



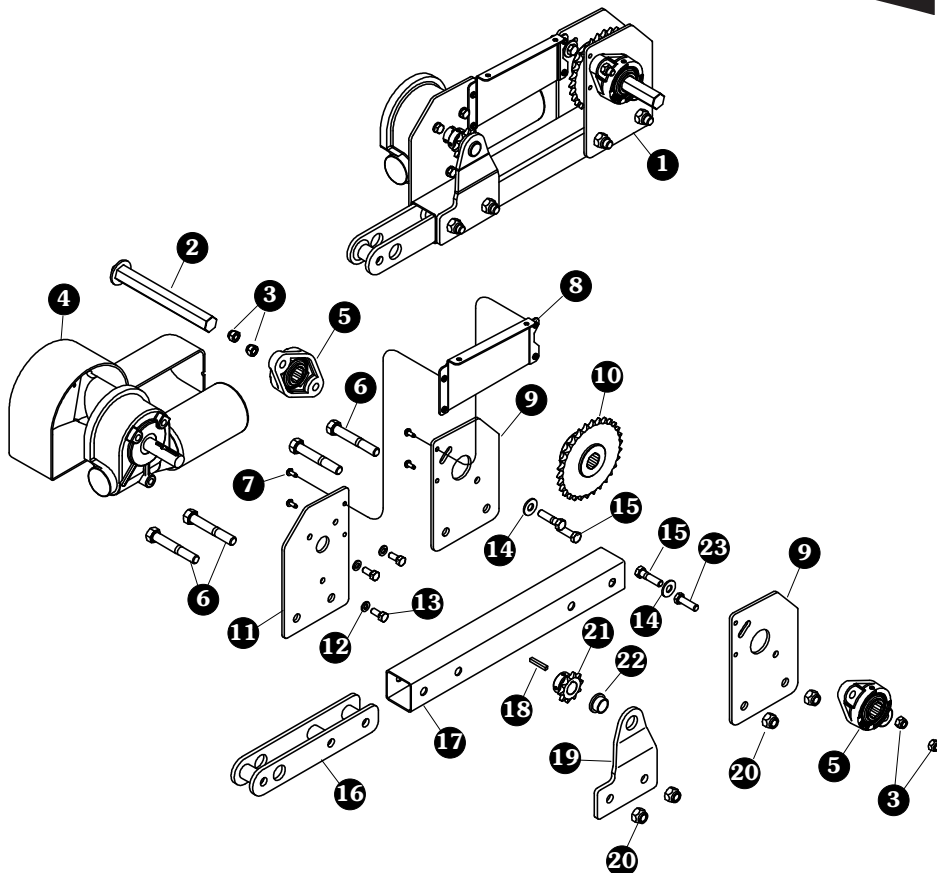
LOWER ARM ASSEMBLY

Item	Part #	Description
1.	1120757	Lower Arm Assembly
2.	1120714	Lower Arm Hinge Plate
3.	1704780	Lower Arm Hinge Spacer
4.	1120716	Pivot Plate
5.	1700378	Cap Screw - 1/2" x 3 1/2"
6.	1702115	Nylon Lock Nut - 1/2"
7.	1704808	Cap Screw - 1/2" x 3 1/4"
8.	1120715	Lower Arm Tube



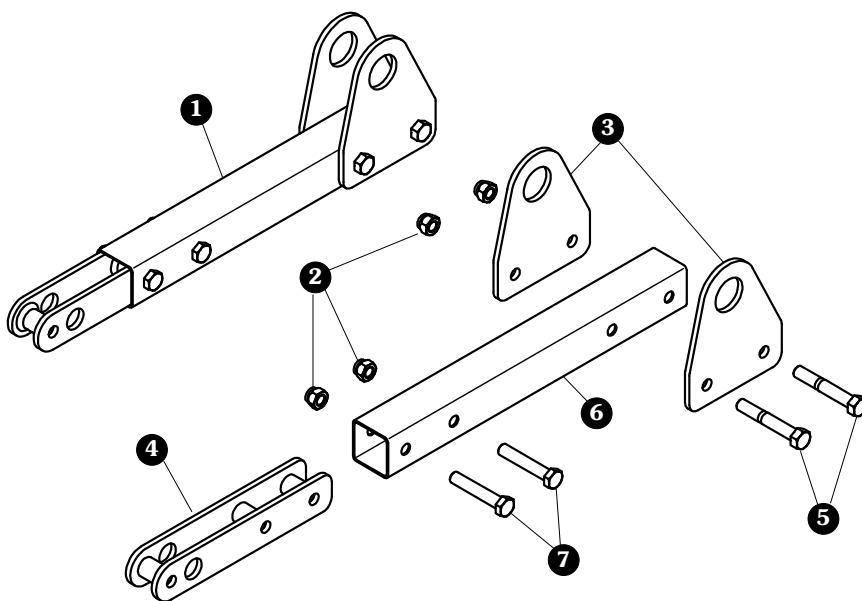
UPPER ARM ASSEMBLY - FRONT

Item	Part #	Description
1.	1120759	Upper Arm Assembly - Front
2.	1120724	Drive Shaft
3.	1701580	Nylon Lock Nut - 3/8"
4.	1703823	Power Drive Electric Motor - High Torque
5.	1704456	Flange Bearing - 7/8"
6.	1704808	Cap Screw - 1/2" x 3 1/4"
7.	1704308	Cap Screw - Hex Flange - #10 x 1/2"
8.	1120728	Chain Guard Filler Panel
9.	1120722	Drive Shaft Bearing Plate
10.	1120723	Sprocket - T30-40 - 7/8" Hex Bore
11.	1120720	Motor Mount Plate
12.	1700433	Lock Washer - 5/16"
13.	1701045	Cap Screw - 5/16" x 3/4"
14.	1700429	Flat Washer - 3/8"
15.	1701434	Cap Screw - 3/8" x 1 1/2"
16.	1120718	Upper Hinge
17.	1120719	Upper Arm Tube
18.	1120762	Key - 3/16" x 3/16" x 1/4"
19.	1120721	Motor Shaft Support Bracket
20.	1702115	Nylon Lock Nut - 1/2"
21.	1120751	Sprocket - T10-40 - 3/4" Bore
22.	1704811	Flange Bearing - 3/4"
23.	1702891	Cap Screw - 3/8" x 1 1/4"



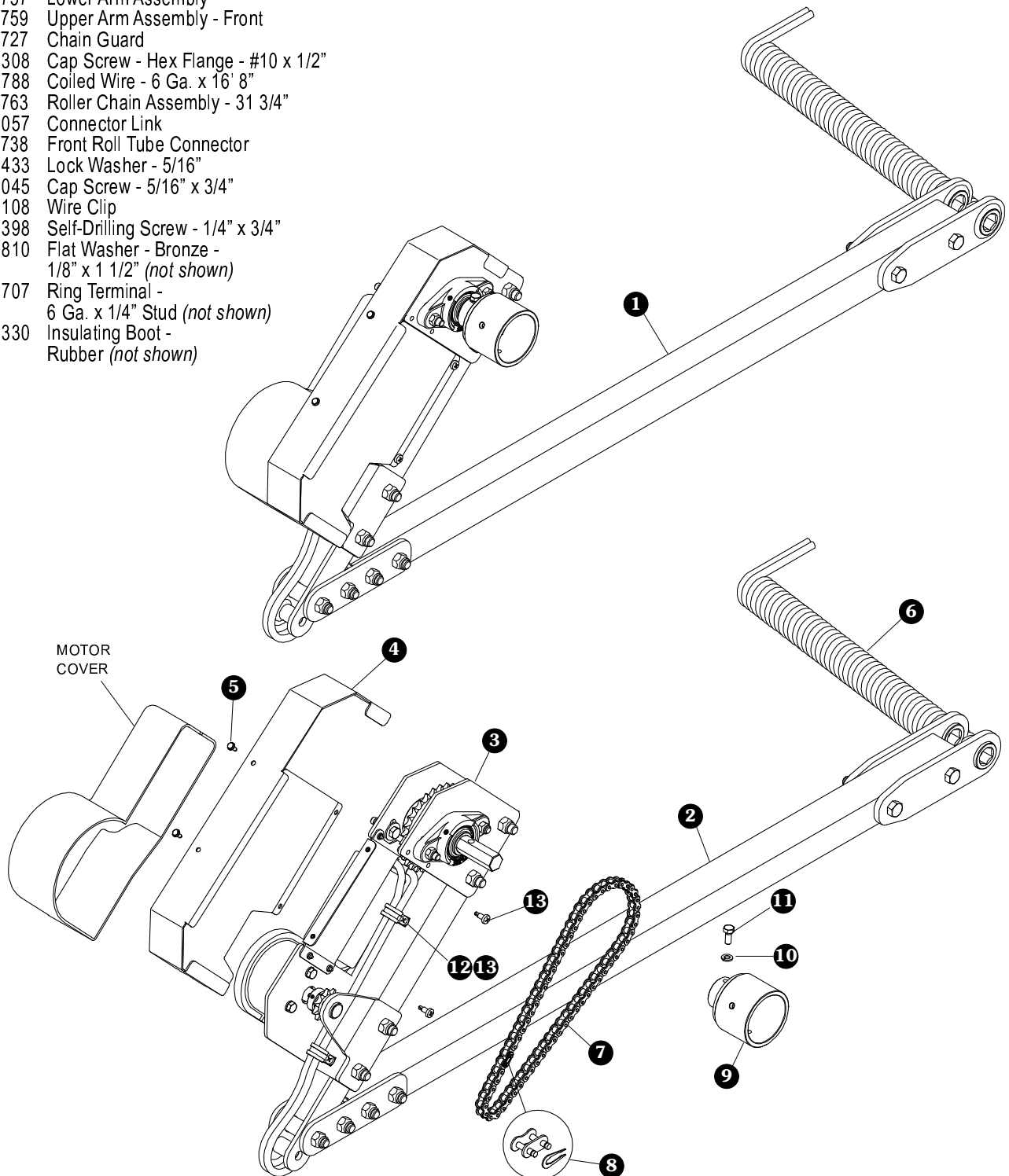
UPPER ARM ASSEMBLY - REAR

Item	Part #	Description
1.	1120758	Upper Arm Assembly - Rear
2.	1702115	Nylon Lock Nut - 1/2"
3.	1120731	Idler Shaft Bearing Plate
4.	1120718	Upper Hinge
5.	1704808	Cap Screw - 1/2" x 3 1/4"
6.	1120719	Upper Arm Tube
7.	1704809	Cap Screw - 1/2" x 2 3/4"



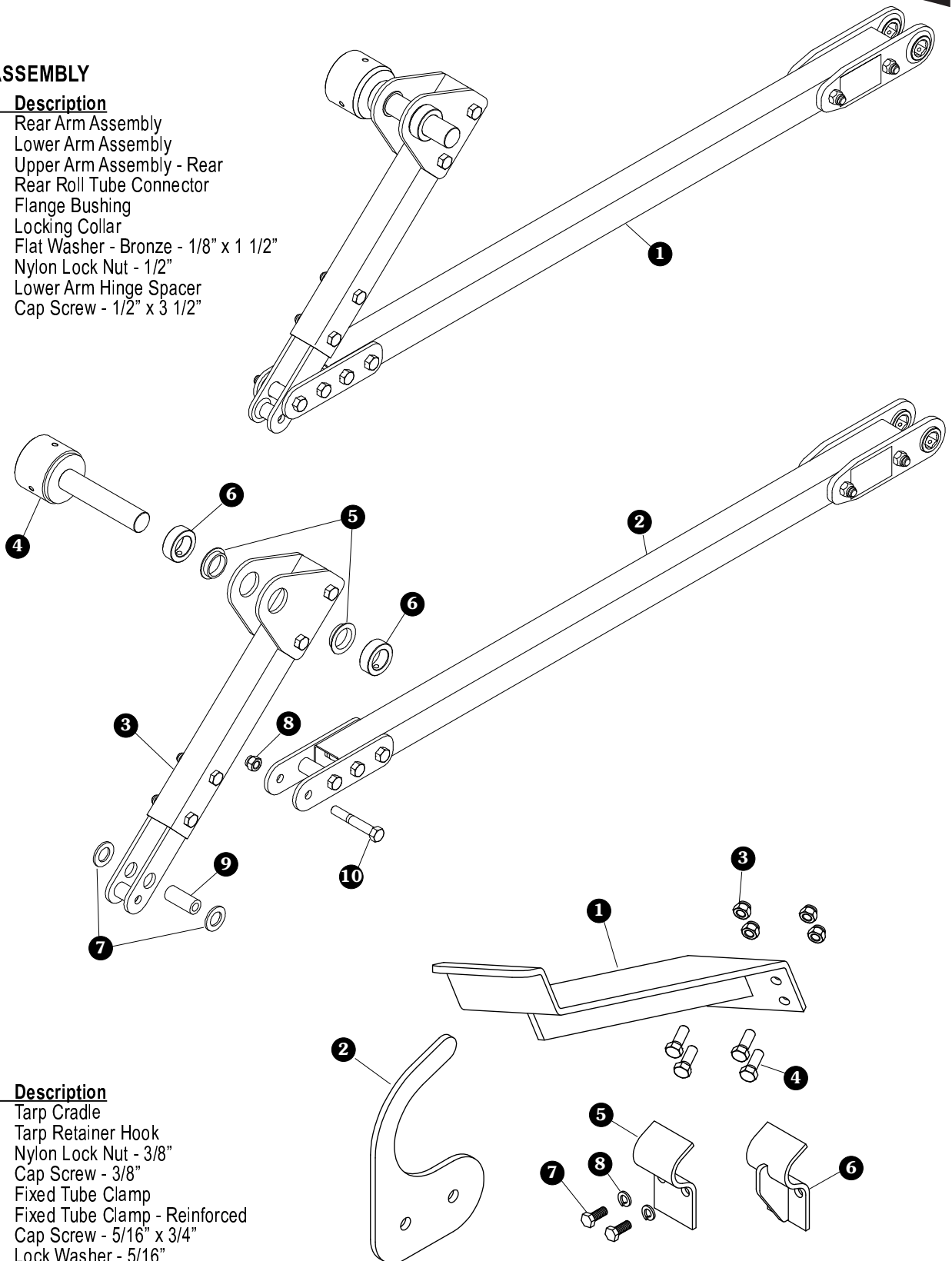
FRONT ARM ASSEMBLY

Item	Part #	Description
1.	1120760	Front Arm Assembly
2.	1120757	Lower Arm Assembly
3.	1120759	Upper Arm Assembly - Front
4.	1120727	Chain Guard
5.	1704308	Cap Screw - Hex Flange - #10 x 1/2"
6.	1704788	Coiled Wire - 6 Ga. x 16' 8"
7.	1120763	Roller Chain Assembly - 31 3/4"
8.	1701057	Connector Link
9.	1120738	Front Roll Tube Connector
10.	1700433	Lock Washer - 5/16"
11.	1701045	Cap Screw - 5/16" x 3/4"
12.	1702108	Wire Clip
13.	1700398	Self-Drilling Screw - 1/4" x 3/4"
14.	1704810	Flat Washer - Bronze - 1/8" x 1 1/2" (not shown)
15.	1702707	Ring Terminal - 6 Ga. x 1/4" Stud (not shown)
16.	1704330	Insulating Boot - Rubber (not shown)



REAR ARM ASSEMBLY

Item	Part #	Description
1.	1120761	Rear Arm Assembly
2.	1120757	Lower Arm Assembly
3.	1120758	Upper Arm Assembly - Rear
4.	1120736	Rear Roll Tube Connector
5.	1704468	Flange Bushing
6.	1704807	Locking Collar
7.	1704810	Flat Washer - Bronze - 1/8" x 1 1/2"
8.	1702115	Nylon Lock Nut - 1/2"
9.	1704780	Lower Arm Hinge Spacer
10.	1700378	Cap Screw - 1/2" x 3 1/2"



Item	Part #	Description
1.	1121486	Tarp Cradle
2.	1120740	Tarp Retainer Hook
3.	1701580	Nylon Lock Nut - 3/8"
4.	1701061	Cap Screw - 3/8"
5.	1121491	Fixed Tube Clamp
6.	1120995	Fixed Tube Clamp - Reinforced
7.	1701045	Cap Screw - 5/16" x 3/4"
8.	1700433	Lock Washer - 5/16"

MORE QUALITY PRODUCTS FROM SHUR-CO®

- **Genuine Replacement Tarps**
- **Genuine Replacement Parts**

- **Agriculture Products**
 - Value Series Shur-Lok®
 - Super Duty Shur-Lok®
 - Shur-Lok® Junior
 - Premium Belt 'n Ratchet
 - Cable-Lok™
 - Turning Point™ Bow

- **SMARTrailer™ Accessories for Agriculture Products**
 - SMART2™ Remote
 - SMART1 +™ Remote
 - 4500 Series HD Electric
 - AutoTrap™ Hopper Opener
 - ProTrap® Hopper Opener
 - LiteALL™ Work Lights
 - Cable-Lok™ Electric Upgrade
 - Electric Turning Point™ Bow
 - Value Series Electric
 - Solar Power Pack

- **Flatbed Products**
 - ShurTite™ Retractable Tarps
 - Stock Lumber & Steel Tarps
 - Steel Tarps

- **Custom Products**
 - Fitted Truck Covers
 - Flat Utility Tarps
 - Bean Drill Covers
 - Shur-Lok® Tarp Cords

- **Construction Products**
 - Super Duty Shur-Lok®
 - Shur-Trak II™
 - Cover-Pro II®
 - Turning Point™ Bow
 - IronSide™ Side-Dump System
 - Arm-Matic™
 - DuraPull™
 - Econo-Pull™
 - Turbo Tarp2 DONOVAN BRAND
 - 2000 Series DONOVAN BRAND
 - 5000 Series DONOVAN BRAND
 - Hammer DONOVAN BRAND
 - Bullet DONOVAN BRAND
 - Flash DONOVAN BRAND
 - Long Arm DONOVAN BRAND

- **SMARTrailer™ Accessories for Construction Products**
 - 4500 Series HD Electric w/Gate Flex™
 - Shur-Trak II™ Electric Upgrade
 - Cover-Pro II® Electric Upgrade
 - Electric Turning Point™ Bow
 - Solar Power Pack

- **Waste Products DONOVAN BRAND**
 - The Ox™
 - Quick-Flip III
 - Sidewinder
 - Sidewinder 350
 - HyTower SL
 - HyTower DL
 - Double-Flip

TARPING SYSTEMS & ACCESSORIES

