



TARPING SYSTEMS & ACCESSORIES

P/N 1122460 Rev. C

OWNER'S MANUAL

LITEALL™

WIRELESS LED WORK LIGHT PACKAGE



READ BEFORE INSTALLING

PO BOX 713 ■ 2309 SHUR-LOK STREET ■ YANKTON, SD 57078-0713
PHONE 1-800-4-SHUR-LOK (1-800-474-8756) ■ FAX 605-665-0501
www.shurco.com

SHOP ONLINE: www.shopshurco.com

SHIPPING. Orders are shipped F.O.B. from the Shur-Co®, LLC sites listed below. No full freight is allowed or prepaid shipment accepted unless quoted and approved in writing prior to acceptance of the order. All shipments are made by the most reasonable means in accordance with size and weight of order, unless specified routing instructions are furnished by the customer. Shipments are made daily via U.P.S. and common carrier. Claims for shortages must be made within 10 days. All claims for damages or loss in transit must be made with the carrier. No collect calls will be accepted. To ensure delivery of orders, we need your full street address and phone number. When you receive your shipment, examine it carefully. Be sure all cartons listed on the delivery sheet are accounted for. Large items may be packaged separately. If a carton is damaged, open it and inspect the contents before signing for delivery. If merchandise is damaged, describe damage on the delivery receipt. Failure on your part to document damaged or missing merchandise on the delivery receipt releases the carrier of all liability; repair or replacement will be the customer's responsibility.

WARRANTY. We warrant all new products are free of defects in materials and workmanship.* This warranty is effective if products are properly installed and used for the purpose for which they were intended and applies to the original buyer only. Except as set forth above or in any product-specific warranty documentation, we make no other warranties, express or implied, including but not limited to warranties of merchantability of fitness for a particular use.

Returns of a product for warranty must be accompanied by a Return Merchandise Authorization number (RMA#), obtained by calling Customer Service at 866-748-7435, and sent, with freight paid by us, to Shur-Co®, LLC, 2309 Shur-Lok St., PO Box 713, Yankton, SD 57078. All products returned without an RMA# will be refused. When we issue the RMA#, we will also issue a call tag to have UPS (or other freight company) pick up the product. C.O.D. returns not accepted. We will pay no storage fees for a warranty product return prior to pick by us or the freight company. If a warranty product return is scheduled to be picked up by us, we will pick up the product at our earliest convenience.

If a product returned is found, in our judgement, to be defective in material or workmanship, our obligation under this warranty is limited to the repair or replacement of the product, which will be made by us. Repair or replacement will be at our discretion, with replacements being made using current products performing in the equivalent function. Labor charges, other than those incurred at our factory, including, but not limited to, any labor to install a repaired or replacement product, are not covered under this warranty. All expenses associated with delivering defective products to our factory and delivering repaired or replacement products from our factory to the owner will be paid by us.

If the product returned is found, in our judgement, to be non-warrantable, the owner will be contacted to authorize repair work, purchase of a replacement product or return of the product, all of which will be at the owner's expense. Payment authorization must be received by us before any non-warrantable product is repaired, replaced or returned. All expenses associated with delivering the repaired non-warrantable product, a replacement product or the non-warrantable product from our factory to the owner will be paid by the owner.

In no event will we be liable for any damages of any kind to person, product or property, including but not limited to indirect, incidental, special, consequential or punitive damages, or damages for loss of profits or revenue, even if we have been advised of the possibility of such damages. There are no warranties for used products or products that have been repaired, altered, modified or subjected to misuse, negligence or accident. We will not repair or replace products that fail or malfunction due to ordinary wear and tear, except as expressly noted in a product-specific warranty. Use of non-Shur-Co®, LLC parts in conjunction with Shur-Co®, LLC products will void this product warranty.

*Certain products have specific warranties that differ from this warranty, for example motors and electronics. Product-specific warranty documentation is available for these items. In the event of a conflict between this warranty and a product-specific warranty, the product-specific warranty will govern.

RETURN POLICY. All sales final. See WARRANTY above for return details.

OTHER. All prices, product listings, sizes, weights and manufacturing details are subject to change without notice. No person is authorized to modify the foregoing conditions of sale whatsoever.

SHUR-CO®, LLC SERVICE AND DISTRIBUTION CENTERS

Corporate HQ and Outlet Store

SHUR-CO® of SOUTH DAKOTA

2309 Shur-Lok St., PO Box 713
Yankton, SD 57078-0713
Ph 800.474.8756 | Fax 605.665.0501

ShurTite™ Service Centers

SHUR-CO® of CANADA

490 Elgin St., Unit #1
Brantford, Ontario N3S 7P8
Ph 800.265.0823 | Fax 519.751.3997

SHUR-CO® of SIOUX FALLS

47184 258th St., Suite B
Sioux Falls, SD 57107
Ph 844.573.9322 | Fax 605.543.5469

SHUR-CO® of COLORADO

10220 Brighton Rd., Unit #1
Henderson, CO 80640
Ph 866.355.9173 | Fax 303.289.2298

SHUR-CO® of FLORIDA

3353 SE Gran Park Way
Stuart, FL 34997
Ph 800.327.8287 | Fax 772.287.0431

SHUR-CO® of ILLINOIS

3993 E. Mueller Ave.
Decatur, IL 62526
Ph 866.356.0246 | Fax 217.877.8270

SHUR-CO® of IOWA

3839 Midway Blvd.
Ft. Dodge, IA 50501
Ph 866.356.0245 | Fax 515.576.5578

SHUR-CO® of MICHIGAN

5100 Lakeshore Dr.
Lexington, MI 48450
Ph 800.327.8287 | Fax 772.287.0431

SHUR-CO® of NORTH DAKOTA

1746 4th Ave. NW, Unit A
West Fargo, ND 58078
Ph 877.868.4488 | Fax 701.277.1283

SHUR-CO® of OHIO

1100 N. Freedom, St. Rt. 88 & 14
Ravenna, OH 44266
Ph 866.356.0242 | Fax 330.297.5599

SHUR-CO® of OKLAHOMA

1604 East US Hwy 66
El Reno, OK 73036
Ph 866.356.0243 | Fax 405.262.3842

SHUR-CO® of TEXAS

34505 I-10 West, S. Frontage Rd.
Brookshire, TX 77423
Ph 866.689.0039 | Fax 281.934.3311

SHUR-CO® UK, Ltd.


Unit 41 Rochester Airport Estates
Laker Rd., Rochester, Kent ME1 3QX
Ph +44 (0)1795.473499
Fax +44 (0)871.272.8278

For more information, log on to our website:

www.shurco.com

MESSAGE TO OWNERS

Thank you for buying this product from Shur-Co®. We appreciate your confidence in our products. Please read and thoroughly understand this manual before installing and/or operating this system.

Pay particular attention to important safety and operating instructions, as well as warnings and cautions. The hazard symbol  is used to alert users to potentially hazardous conditions and is followed by caution, warning or danger messages.

Failure to READ AND FOLLOW INSTRUCTIONS could result in failure of your system and/or personal injury. Your trailer requirements may, however, call for minor variations to these instructions.

Please inspect your system periodically. Repair or replace worn or damaged parts to your system.

QUESTIONS? CALL OUR HELP LINE:

1-866-748-7435

MON-FRI 8 AM-5 PM CENTRAL TIME

SAFETY

We at Shur-Co® are concerned with your safety and the safety of all those operating this system. Therefore, we have provided safety decals at various locations on your system. Keep decals as clean as possible at all times. Replace any decal that has become worn or damaged, painted over or otherwise difficult to read. Replacement decals are available through Shur-Co® dealers.

SAFETY INSTRUCTIONS

- 1. Always wear safety glasses during installation.**
- 2. Keep body and clothing clear of moving parts.**
- 3. No other use of this system is authorized, except as designed.**

TABLE OF CONTENTS

SMART2™ LiteALL™ Features & Operation 1

SMART2™ LiteALL™ System Components 2

LiteALL™ Control Module Installation 3-4

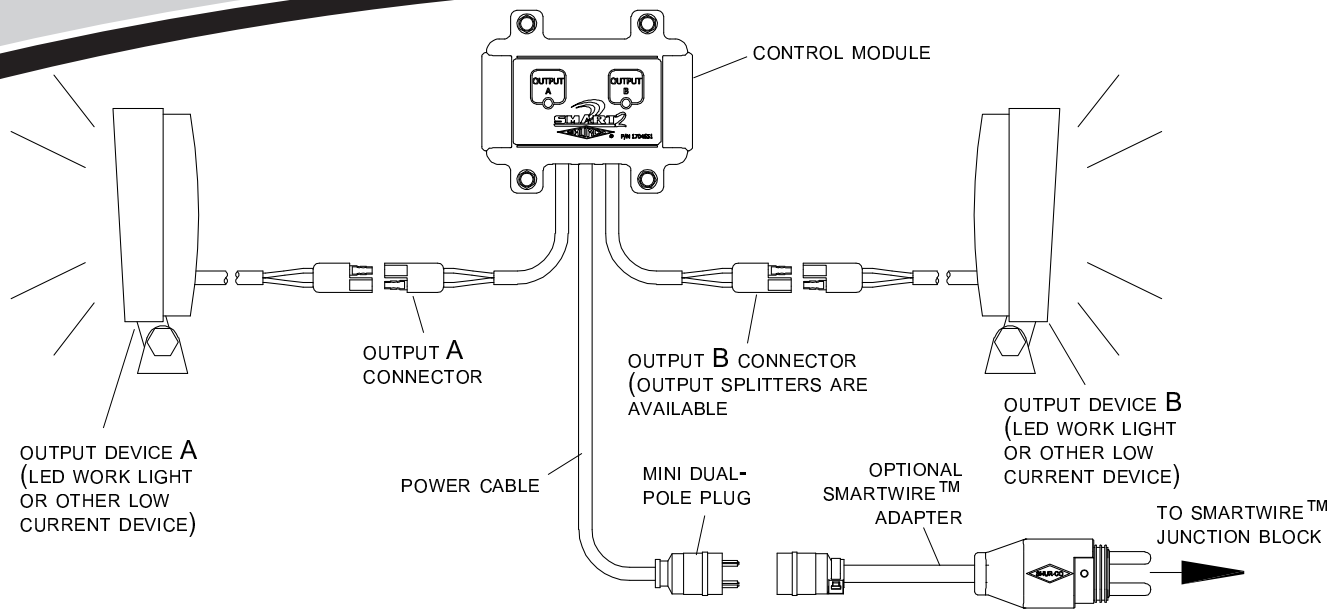
LiteALL™ Work Light Installation 5-6

Programming SMART2™ Remote to LiteALL™ 7-8

Setting Operating Mode..... 8-9

Renaming LiteALL™ Outputs..... 10

Electric Wiring - Wiring Diagrams 11-12



The SMART2™ LiteALL™ module has been specifically designed for use with the Shur-Co® exclusive SMART2™ wireless remote. The module has two outputs which operate independently using the integrated push buttons and has the option of linking the two outputs when controlled via the SMART2™ remote.

Utilizing optional output splitters, up to four high-intensity Shur-Co® LED work lights can be connected to each output. Also available are output extension cables, conveniently allowing the high-intensity LED work lights to be mounted anywhere you need them. The SMART2™ LiteALL™ is a valuable addition to the Shur-Co® SMARTrailer™.

- The Shur-Co® SMART2™ LiteALL™ control module has two output channels. They can be controlled independently or together in linked mode, using the integrated push buttons.
- Output splitters are available, allowing up to four high-intensity LED work lights to be connected to each output.
- Extension cables are available, allowing convenient and useful mounting options for work lights and other devices.
- The control module is quick and easy to introduce to an additional SMART2™ remote.
- Using your SMART2™ remote, you can control multiple SMART2™ LiteALL™ modules. You can assign custom names to each module and assign custom names to both outputs on each module.

Specifications

- System voltage: 10 to 16 volts DC
- System current: 8 amps maximum per channel (four Shur-Co® LED work lights per channel)
- Reverse polarity protection: Yes
- Work light output: 1600 lumens
- Work light power: 24 watts
- Work light IP rating: IP67
- Work light life: 30,000 hours estimated

SMART2™ LiteALL™ Operation:

- When the SMART2™ LiteALL™ module is connected to power, the two output LEDs on the module will turn on for two seconds, indicating the module is on. While OUTPUT A is turned on, the OUTPUT A LED will be lit. While OUTPUT B is turned on, the OUTPUT B LED will be lit.
- To manually control the module, simply press the OUTPUT A button on the module to toggle the device(s) connected to the OUTPUT A channel. Press the OUTPUT B button on the module to toggle the device(s) connected to the OUTPUT B channel.
- To remotely control the LiteALL™ module after it has been introduced to the SMART2™ remote, select the LiteALL™ module from the main menu on the remote screen.

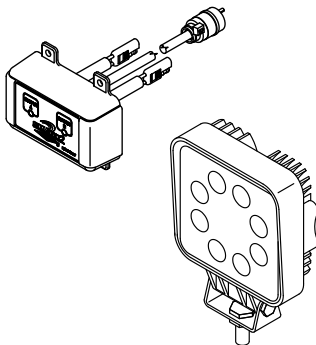
Unlinked Mode (Default):

Press the left operational button directly underneath the remote screen to toggle the device(s) connected to OUTPUT A on and off. Press the right operational button directly underneath the remote screen to toggle the device(s) connected to OUTPUT B on and off.

Linked Mode:

Press either operational button directly under the remote screen to simultaneously toggle both outputs on or off.

A 1122453 SMART2™ LiteALL™ Control Module



B 1704719 LED Work Light - 24 Watt

C **1122108 SMART2™ Remote Kit**
 1704955 SMART2™ Transmitter w/Charging Cradle
 1704958 SMART2™ Charger Cable

D 1704740 Extension Cable - 16 Ga. 2 Conductor - 20'

E 1704773 LiteALL™ Output Splitter

F 1121568 SMARTwire™ Adapter - 14-Ga.

G **1120849 Junction Block Kit w/Harness Plug**

JUNCTION BLOCK
 HARNESS PLUG
 LOCK PINS

H **1120670 SMARTwire™ Dual-Conductor Socket**

1120473 Hardware Bag

J 1704405 Pan Hd. Self-Drilling Screw - #8 x 3/4" (qty. 27)

K 1704761 Self-Drilling Screw - #12 x 1 1/4" (qty. 4)

L 1704739 Ring Terminal - 14 to 16 Ga. #10

M 1704153 Ring Terminal - 14 to 16 Ga. 1/4" Stud (qty. 2)

N 1704698 Nylon Wire Clip - 1/4" Black (qty. 21)

P 1704699 Nylon Wire Clip - 5/16" Natural (White) (qty. 4)

R 1704700 Nylon Wire Clip - 3/8" Black (qty. 2)

S 1118037 Plastic Washer - Black (qty. 8)

T 1704397 Rubber Grommet - 7/16" x 15/16" (qty. 2)

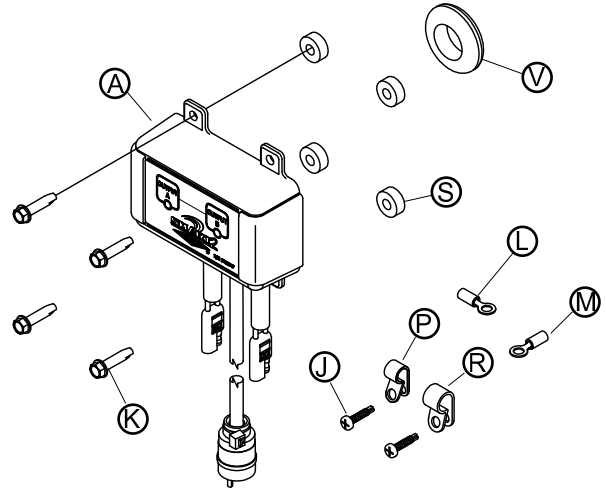
U 1704556 Rubber Grommet - 5 to 10mm IP65

V 1703282 Rubber Grommet - 7/8" x 1 5/8"

W **1120504 LiteALL™ Junction Box Kit**

- Allows for splicing into 12V power and ground connection on non-SMARTwire™ 4500 Series systems (remote systems only).
- Includes four 6-ga. x 1/4" stud ring terminals and 3' of 6-ga. wire.

Item	Part #	Description
A.	1122453	Control Module
J.	1704405	Pan Hd. Self-Drilling Screw - #8 x 3/4"
K.	1704761	Self-Drilling Screw - #12 x 1 1/4"
L.	1704739	Ring Terminal - 14 to 16 Ga. #10
M.	1704153	Ring Terminal - 14 to 16 Ga. 1/4" Stud
P.	1704699	Nylon Wire Clip - 5/16" Natural
R.	1704700	Nylon Wire Clip - 3/8" Black
S.	1118037	Plastic Washer - Black
V.	1703282	Rubber Grommet - 7/8" x 1 5/8"



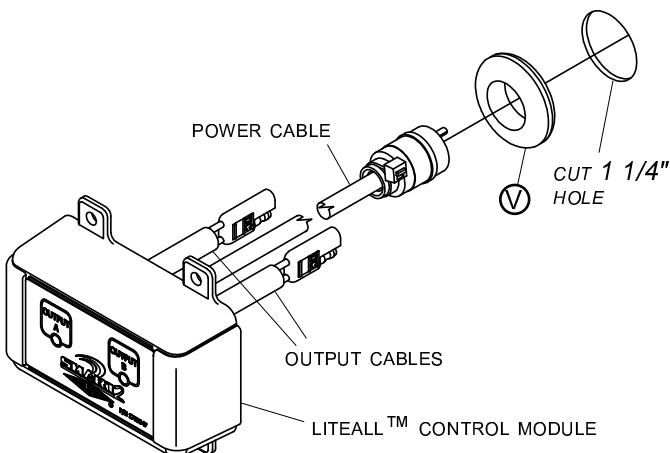
STEP 1: Review wiring diagram. Determine mounting location for LiteALL™ control module. If SMART2™ remote will be used to operate module, it is recommended to locate module where user will have direct line of sight to module while operating remote.

NOTE: Keep in mind that power cable on module is 8' long and must be connected to 12 volts.

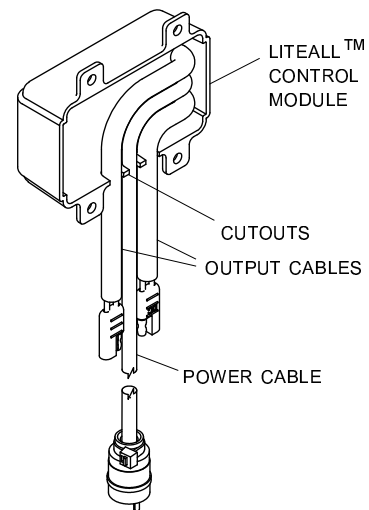
If LiteALL™ control module is not being hooked up to either a Shur-Co® junction box or SMARTwire™ junction block, it is owner's responsibility to select appropriate 12-volt DC power connection that does not compromise any potential system operation.

If you have any questions about connecting LiteALL's control module to your equipment, contact equipment manufacturer.

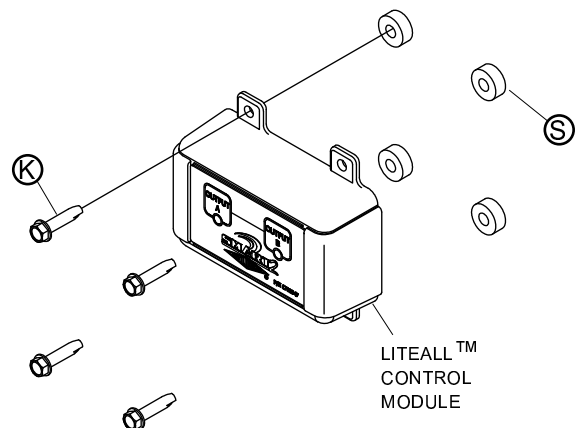
STEP 2: If power and/or output cables are to pass THROUGH mounting surface (.150" max. wall thickness), use 1 1/4" hole saw to cut hole directly behind module. Pass cables through grommet (V), then insert grommet into hole.



STEP 3: If power and/or output cables are NOT being routed through mounting surface, route through cutouts in bottom sidewall of LiteALL™ control module.



STEP 4: Fasten LiteALL™ control module to mounting surface with four self-drilling screws (J). Spacers (S) are optional.

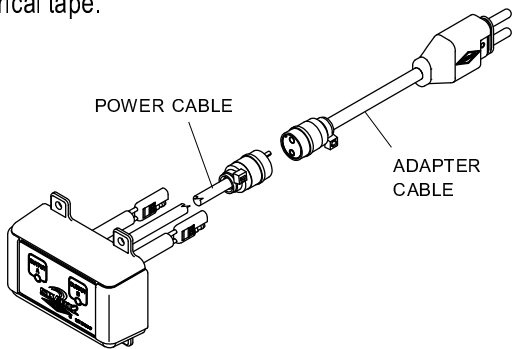


STEP 5: Route power cable from LiteALL™ module to power source. Refer to wiring diagram.

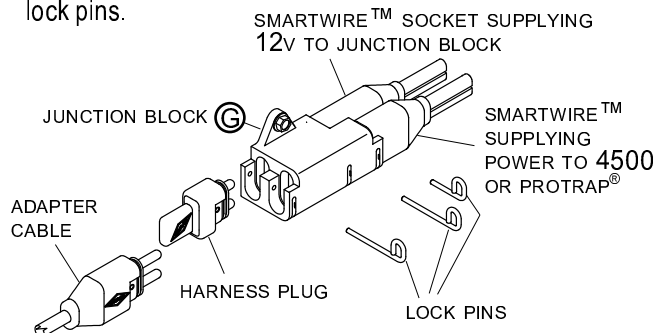
STEP 6: Disconnect power from power source. Prepare power cable for connection to power source and connect as follows:

POWER SUPPLIED FROM SMARTWIRE™ CONNECTION

- Connect two-pole connector on LiteALL™ power cable to SMARTwire™ adapter cable. Seal connection with heat shrink or electrical tape.

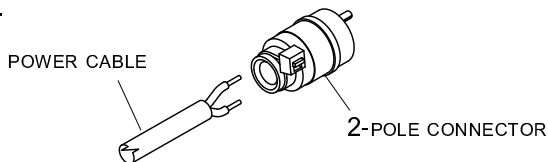


- Plug adapter cable into junction block **G** and secure with lock pins.



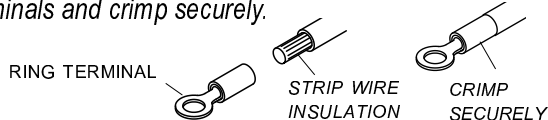
POWER SUPPLIED FROM SHUR-CO® SEALED JUNCTION BOX

- Remove and discard two-pole connector on end of power cable.



- If all grommets ports in junction box are used, drill 21/32" hole in box and install additional grommet **U**.
- Puncture nipple of grommet with pen or small punch and route power cable into box.
- Crimp appropriate ring terminals to black and white wires.
 - If using existing Shur-Co® junction box with circuit breaker, crimp #10 ring terminal onto white wire and 1/4" ring terminal onto black wire.
 - If junction box does not have circuit breaker, crimp 1/4" ring terminals to both white and black wires.

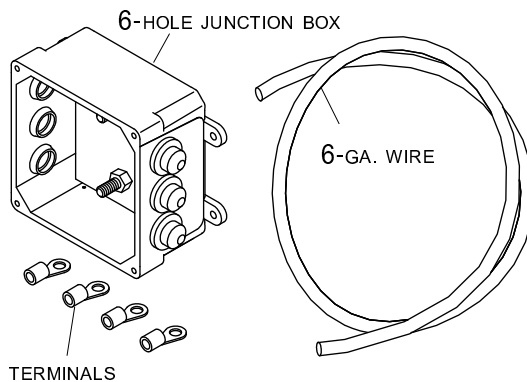
NOTE: If wire ends must be re-stripped, strip only enough wire insulation to install ring terminals. Insert bare wire into ring terminals and crimp securely.



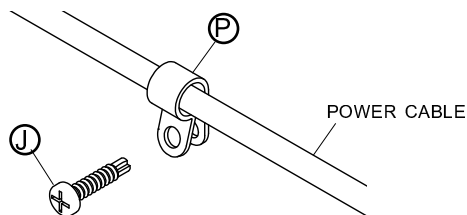
- White wire is positive. Connect white wire to positive 12V post in junction box. Black wire is negative. Connect black wire to negative post in junction box.

POWER SUPPLIED VIA OTHER MEANS

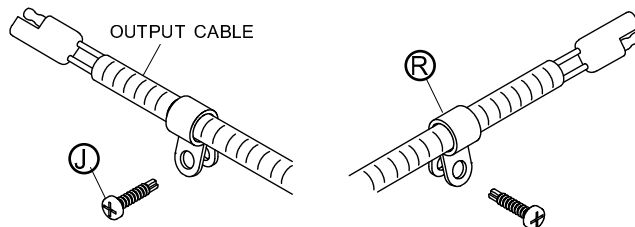
- White wire is positive. Connect white wire to positive 12V. Black wire is negative. Connect black wire to negative post.
- Do not leave power connections exposed to elements. If needed, optional sealed junction box kit **W** is available from Shur-Co®.



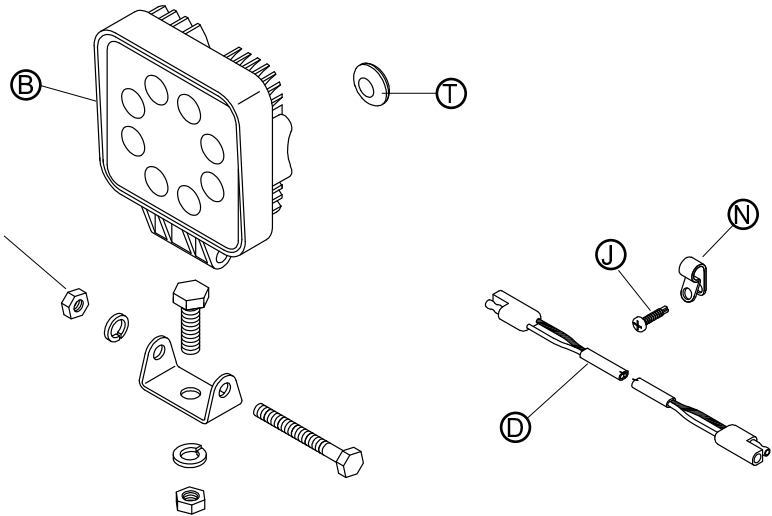
STEP 7: Use wire clips **P** and/or cable ties to secure power cable. Use drill and #2 Phillips bit to self-drill screws **J** and secure wire clips.



STEP 8: Use wire clips **R** and/or cable ties to secure output cables. Use drill and #2 Phillips bit to self drill screws **J** and secure wire clips.



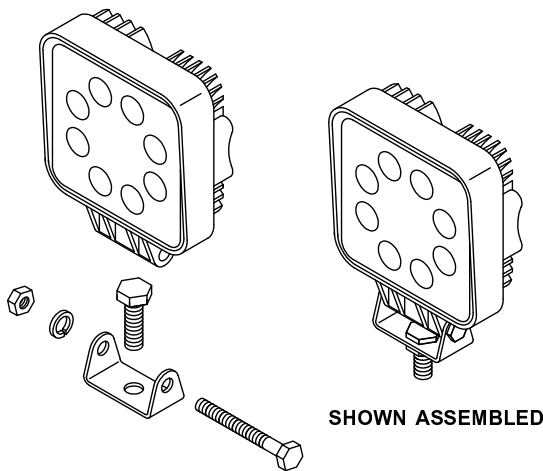
HARDWARE
SUPPLIED W/
WORK LIGHT



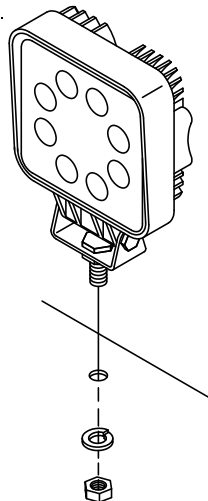
Item Part # Description

B.	1704719	LED Work Light - 24 Watt
D.	1704740	Extension Cable - 16 Ga. 2 Conductor - 20'
J.	1704405	Pan Hd. Self-Drilling Screw - #8 x 3/4"
N.	1704698	Nylon Wire Clip - 1/4" - Black
T.	1704397	Rubber Grommet - 7/16" x 15/16"

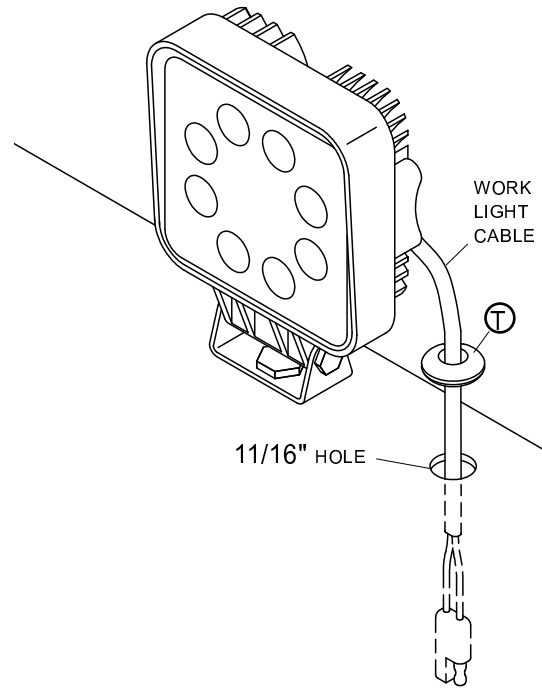
STEP 1: Use 1/2" and 9/16" combination wrenches to assemble LED work light mounting brackets. Use hardware found in LED work light boxes as shown.



STEP 2: Drill 13/32" hole in desired location for work light mounting stud. Insert stud through hole and use 11/16" combination wrench to fasten lock washer and mounting nut.

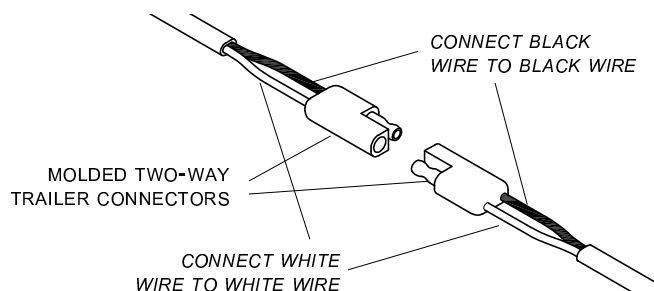


STEP 3: If work light cable is to be passed through mounting surface, use 11/16" hole saw to cut hole for grommet ①. Thread work light cable through grommet, then insert grommet into hole.



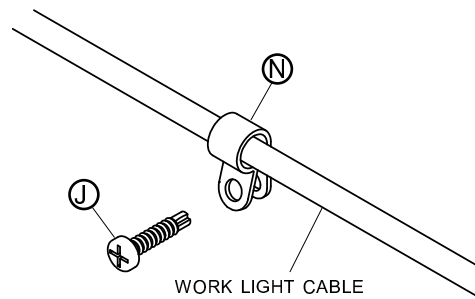
STEP 4: Route work light cable to LiteALL™ control module. Verify cable routing before securing cable. If 20' extension cable **D** is needed, route extension cable between LiteAll™ control module and work light cables. Verify that molded two-way trailer connector will fit complementing connector; black wire to black wire, white wire to white wire. If not, use other end of extension cable. Connect two-way trailer connectors.

NOTE: If needed, 20' extension cables are available for purchase at Shur-Co® (see parts list).



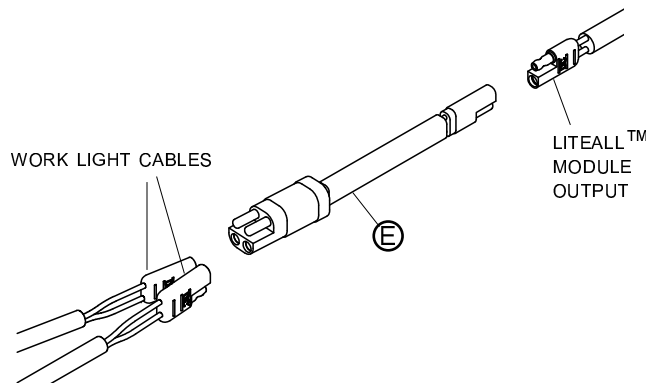
⚠ NOTICE
 Do not power any Shur-Co® wireless system with battery charger alone, as this will likely cause system abnormalities and/or system malfunction. Instead, use a 12-volt truck/automobile battery to provide power to trailer.

STEP 5: Use wire clips **N** and/or cable ties to secure work light and extension cables. Use drill and #2 Phillips bit to self-drill screws **J** to secure wire clips.

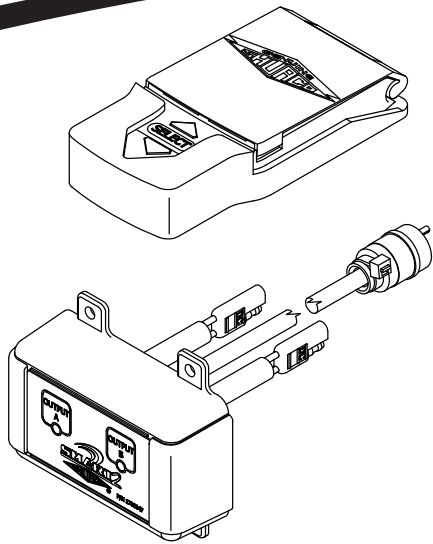


STEP 6: Coil and secure any excess cable with cable ties.

STEP 7: Repeat steps above for each additional work light. If more than one work light is to be connected to either LiteALL™ module output, insert output splitter **E**.



⚠ CAUTION
 Disconnect LiteAll™ before welding onto truck or trailer. Failure to disconnect module may cause damage and will void warranty.



Pairing your devices (introducing the remote to the LiteALL™): Each remote and LiteALL™ receiver module has a unique security code to prevent unauthorized operation. Before a remote can operate a LiteALL™ module, they must be paired, or introduced. This is typically done at the factory before shipping. If the remote must be introduced to the LiteALL™ module, or if a second remote is being added to the module, follow the instructions below.

NOTE: Refer to SMART2™ remote Owner's Manual for complete remote instructions.

STEP 1. Make sure LiteALL™ control module is connected to power.

STEP 2: From Main Menu on SMART2™ remote, arrow to **Setup** option and press Select.

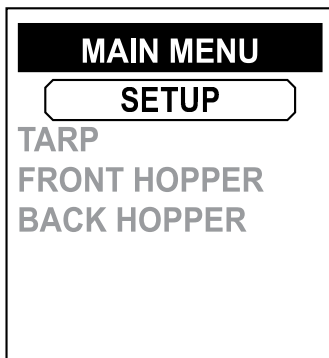


FIGURE 1

STEP 3: Arrow to **Add Device** and press Select.

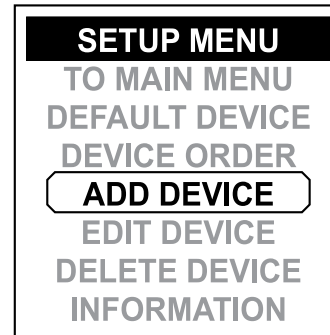


FIGURE 2

STEP 4: Remote will now be waiting for a receiver to enter pairing mode.

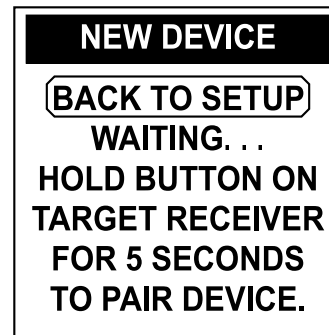
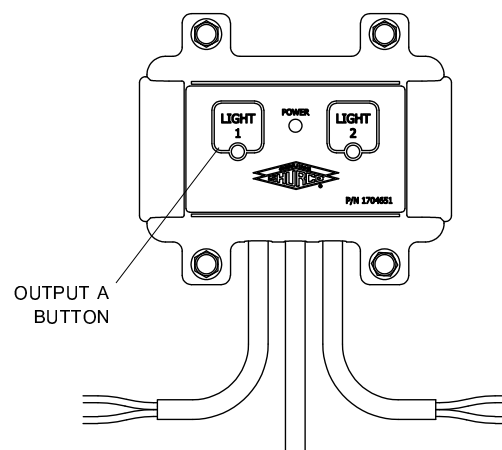


FIGURE 3

STEP 5: On LiteALL™ control module, press and hold OUTPUT A button for approximately five seconds. Both LEDs on module will start to flash. Release button.



STEP 6: Remote will confirm it has detected LiteALL™ module. Verify device type is LIGHT and press Select.

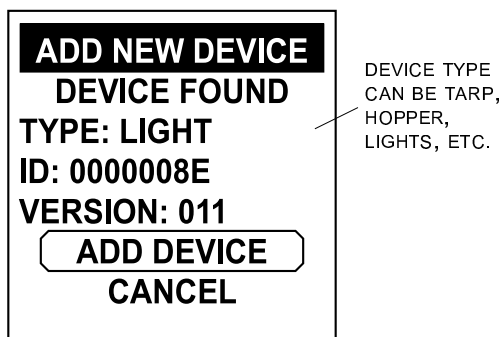


FIGURE 5

NOTICE

If the device type is incorrect, call the Shur-Co® Help Line. You can damage your system if you operate the wrong device-type receiver on your system.

STEP 7: You may rename device at this time. This can be done later, if desired. If you choose to rename at this time, see section on renaming your device in your SMART2™ remote Owner's Manual. If current name is acceptable, highlight **Accept** and press Select to continue.

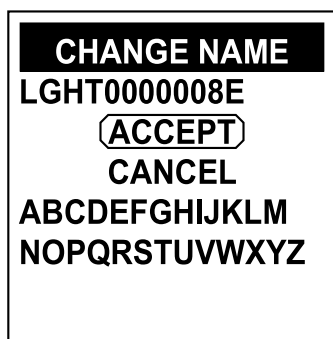


FIGURE 6

STEP 8: Remote will display INFO SAVED to confirm that remote has been successfully introduced to LiteALL™.

STEP 9: Repeat steps 1 to 8 for any additional remotes to be programmed to LiteALL™ module.

Setting operating mode (linked or unlinked outputs): Using the SMART2™ remote, you have the option of linking OUTPUT A and B so they turn on or off together when using the remote. This is referred to as LINKED MODE.

At any time, the remote can be set to operate the LiteALL™ module in LINKED or UNLINKED mode by following these instructions:

STEP 1: From main menu on SMART2™ remote, arrow to **Setup** option and press Select.

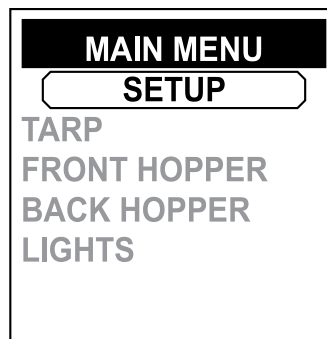


FIGURE 7

STEP 2: Arrow to **Edit Device** and press Select.

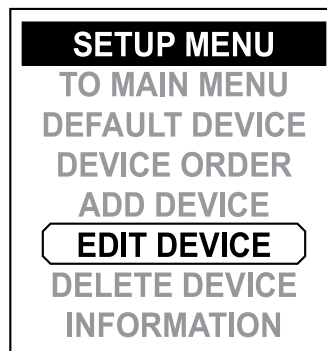


FIGURE 8

STEP 3: Arrow to device for which you want to change operating mode and press Select.



FIGURE 9

STEP 4: Highlight **Default Mode** and press Select.

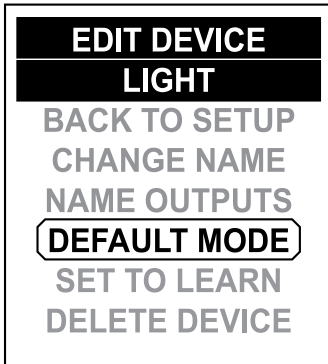


FIGURE 10

STEP 5: Highlight desired operating mode and press Select.

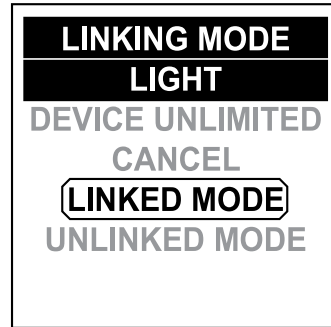


FIGURE 11

STEP 6: Remote will confirm that mode has been changed. Press Select to finish.

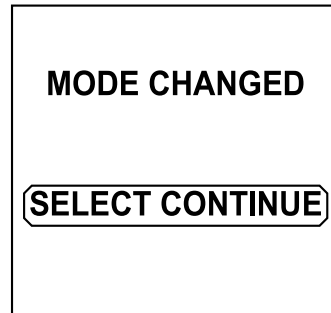


FIGURE 12

Renaming Outputs (Outputs A and B):

In addition to giving the LiteALL™ module a custom name on your SMART2™ remote, you can also rename each of the outputs displayed on the operational screen by following this procedure.

STEP 1: From Main Menu, arrow down to **Setup** and press Select.

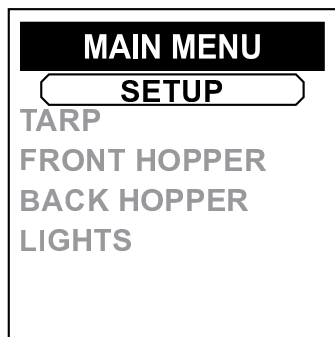


FIGURE 13

STEP 2: Arrow down to **Edit Device** and press Select.

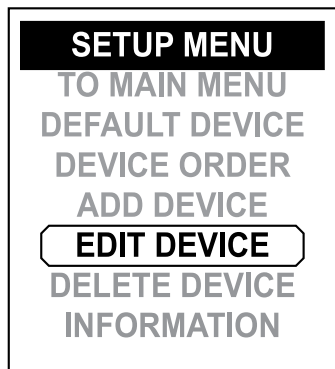


FIGURE 14

STEP 3: Use the arrow buttons to highlight LiteALL™ device you wish to edit, then press Select.

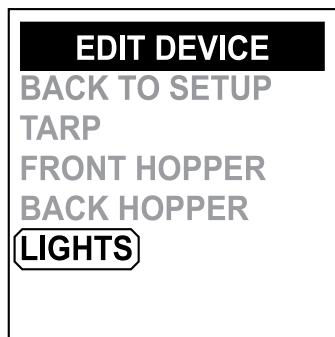


FIGURE 15

STEP 4: Highlight **Name Outputs** and press Select.

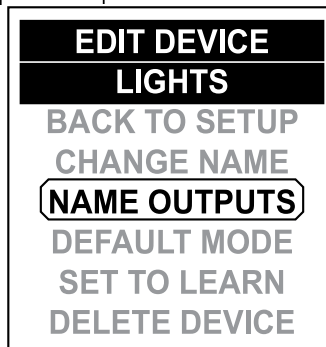


FIGURE 16

STEP 5: Arrow up or down to highlight the back arrow symbol and press Select to delete unwanted characters.

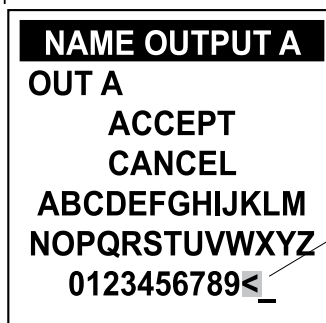


FIGURE 17

STEP 6: Arrow up or down to desired characters and enter by pressing Select. When done, arrow to **Accept** and press Select.

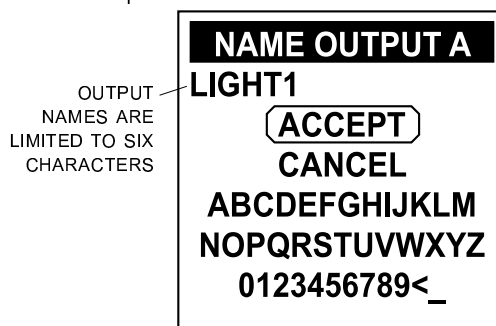
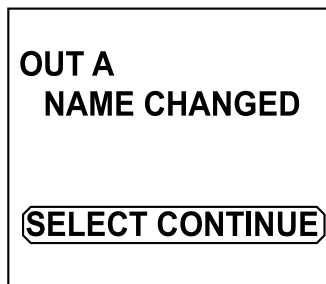


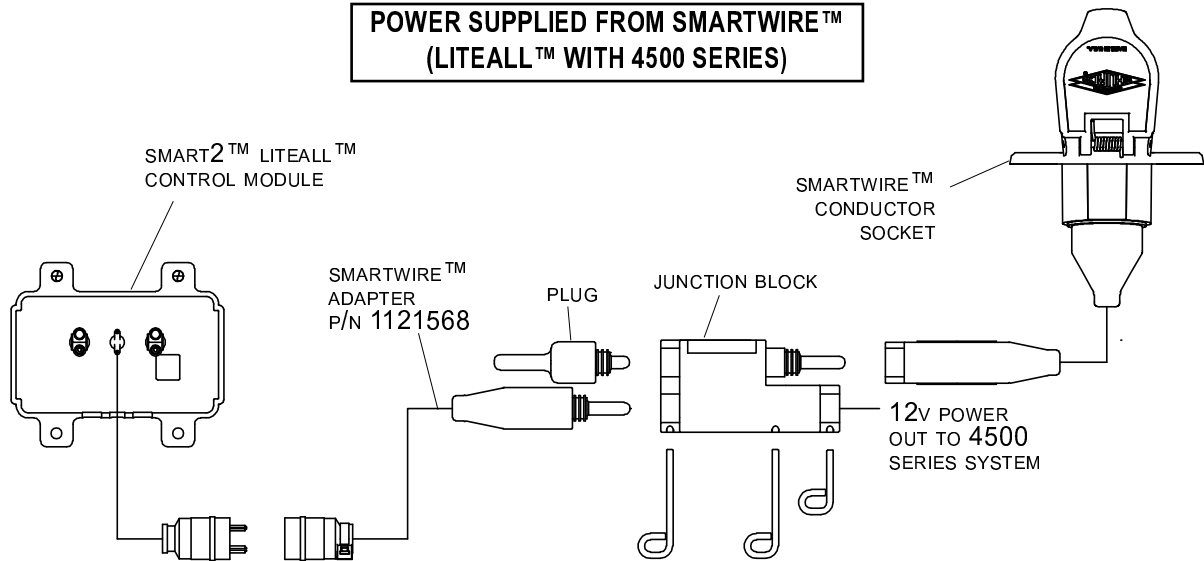
FIGURE 18

STEP 7: Remote will confirm that name has been changed. Press select button to finish.

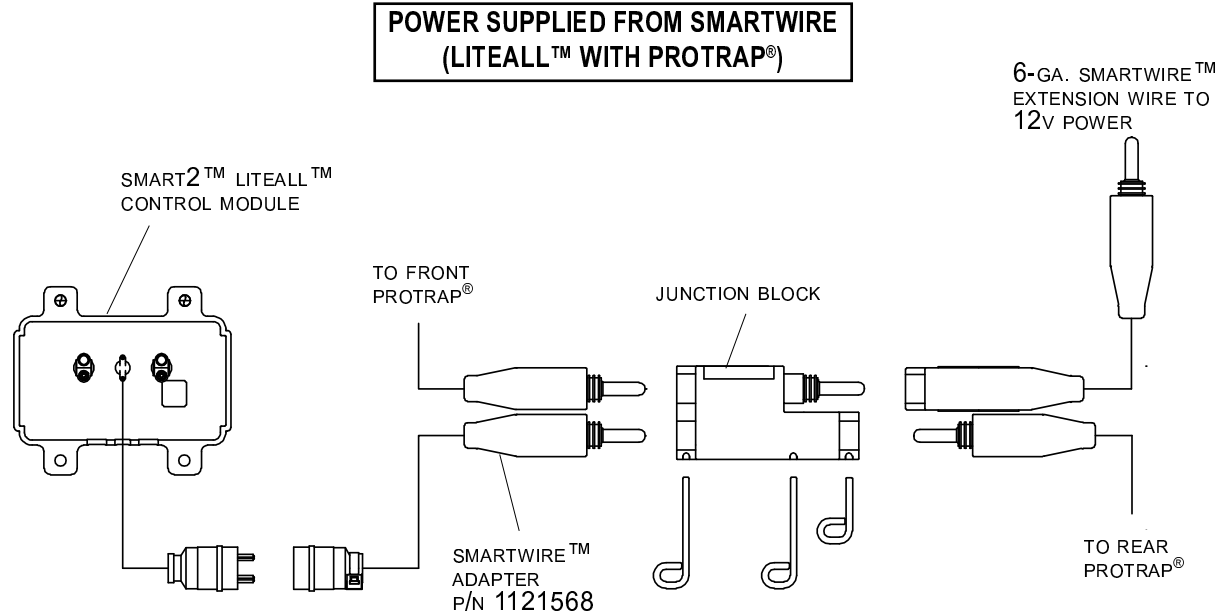


STEP 8: Repeat steps 5 through 7 for Output B.

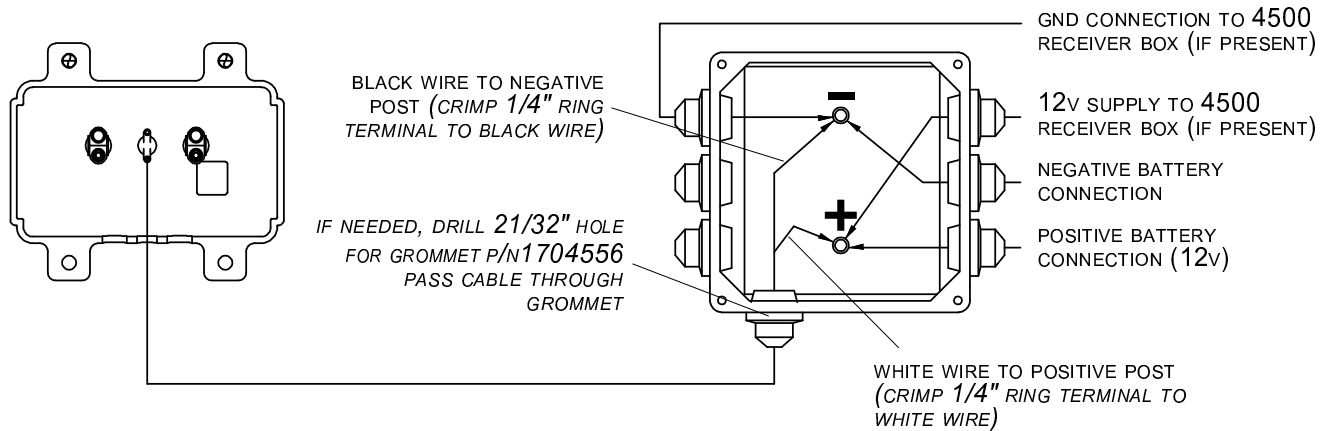
**POWER SUPPLIED FROM SMARTWIRE™
(LITEALL™ WITH 4500 SERIES)**



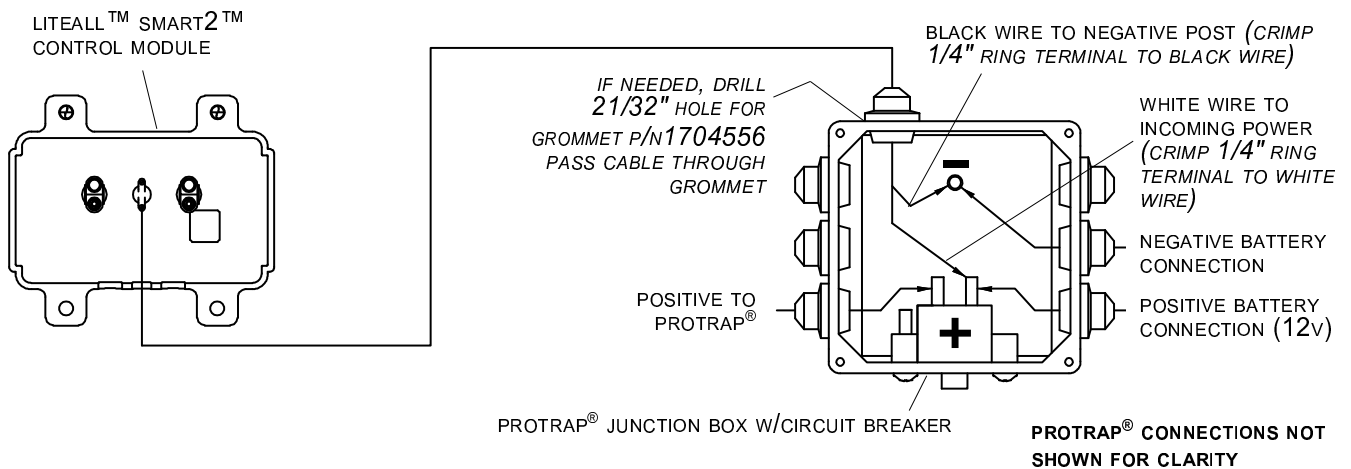
**POWER SUPPLIED FROM SMARTWIRE™
(LITEALL™ WITH PROTRAP®)**



POWER SUPPLIED FROM JUNCTION BOX W/O CIRCUIT BREAKER



POWER SUPPLIED FROM JUNCTION BOX W/CIRCUIT BREAKER



ON OTHER INSTALLATIONS, WIRING IS DETERMINED BY USER

HOOK TO POWER USING 16-GA. OR LARGER WIRE

MORE QUALITY PRODUCTS FROM SHUR-CO®

- **Genuine Replacement Tarps**
- **Genuine Replacement Parts**

- **Agriculture Products**
 - Value Series Shur-Lok®
 - Super Duty Shur-Lok®
 - Shur-Lok® Junior
 - Premium Belt 'n Ratchet
 - Cable-Lok™
 - Turning Point™ Bow

- **SMARTrailer™ Accessories for Agriculture Products**
 - SMART2™ Remote
 - SMART1 +™ Remote
 - 4500 Series HD Electric
 - AutoTrap™ Hopper Opener
 - ProTrap® Hopper Opener
 - LiteALL™ Work Lights
 - Cable-Lok™ Electric Upgrade
 - Electric Turning Point™ Bow
 - Value Series Electric
 - Solar Power Pack

- **Flatbed Products**
 - ShurTite™ Retractable Tarps
 - Stock Lumber & Steel Tarps
 - Steel Tarps

- **Custom Products**
 - Fitted Truck Covers
 - Flat Utility Tarps
 - Bean Drill Covers
 - Shur-Lok® Tarp Cords

- **Construction Products**
 - Super Duty Shur-Lok®
 - Shur-Trak II™
 - Cover-Pro II®
 - Turning Point™ Bow
 - IronSide™ Side-Dump System
 - Arm-Matic™
 - DuraPull™
 - Econo-Pull™
 - Turbo Tarp2 DONOVAN BRAND
 - 2000 Series DONOVAN BRAND
 - 5000 Series DONOVAN BRAND
 - Hammer DONOVAN BRAND
 - Bullet DONOVAN BRAND
 - Flash DONOVAN BRAND
 - Long Arm DONOVAN BRAND

- **SMARTrailer™ Accessories for Construction Products**
 - 4500 Series HD Electric w/Gate Flex™
 - Shur-Trak II™ Electric Upgrade
 - Cover-Pro II® Electric Upgrade
 - Electric Turning Point™ Bow
 - Solar Power Pack

- **Waste Products DONOVAN BRAND**
 - The Ox™
 - Quick-Flip III
 - Sidewinder
 - Sidewinder 350
 - HyTower SL
 - HyTower DL
 - Double-Flip

TARPING SYSTEMS & ACCESSORIES

