



TARPING SYSTEMS & ACCESSORIES

P/N 1124107 Rev. D

INSTALLATION INSTRUCTIONS

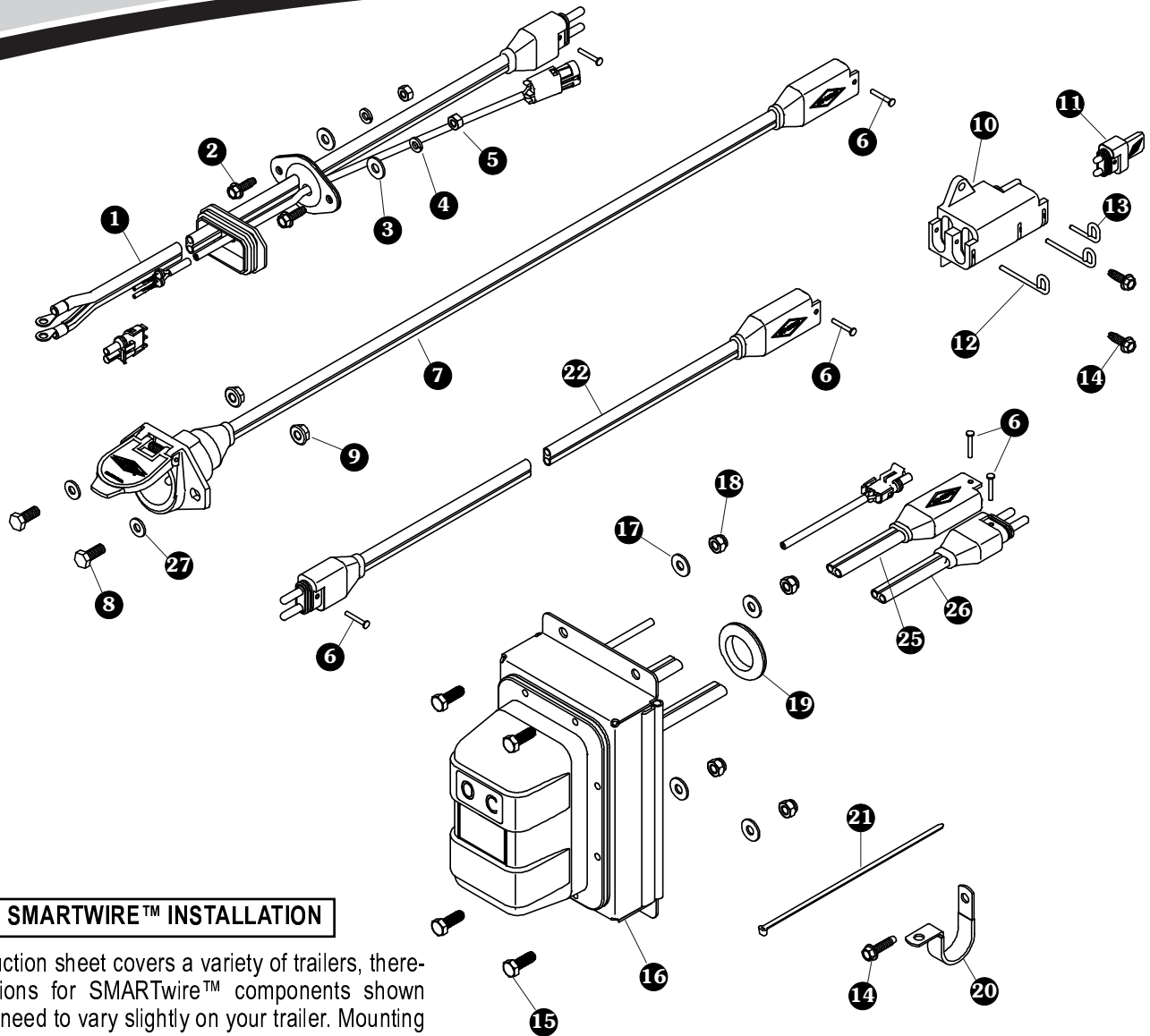


Wiring 4500 Series & Two AutoTraps

READ BEFORE INSTALLING

PO BOX 713 ■ 2309 SHUR-LOK STREET ■ YANKTON, SD 57078-0713
PHONE 1-800-4-SHUR-LOK (1-800-474-8756) ■ FAX 605-665-0501
www.shurco.com

SHOP ONLINE: www.shopshurco.com

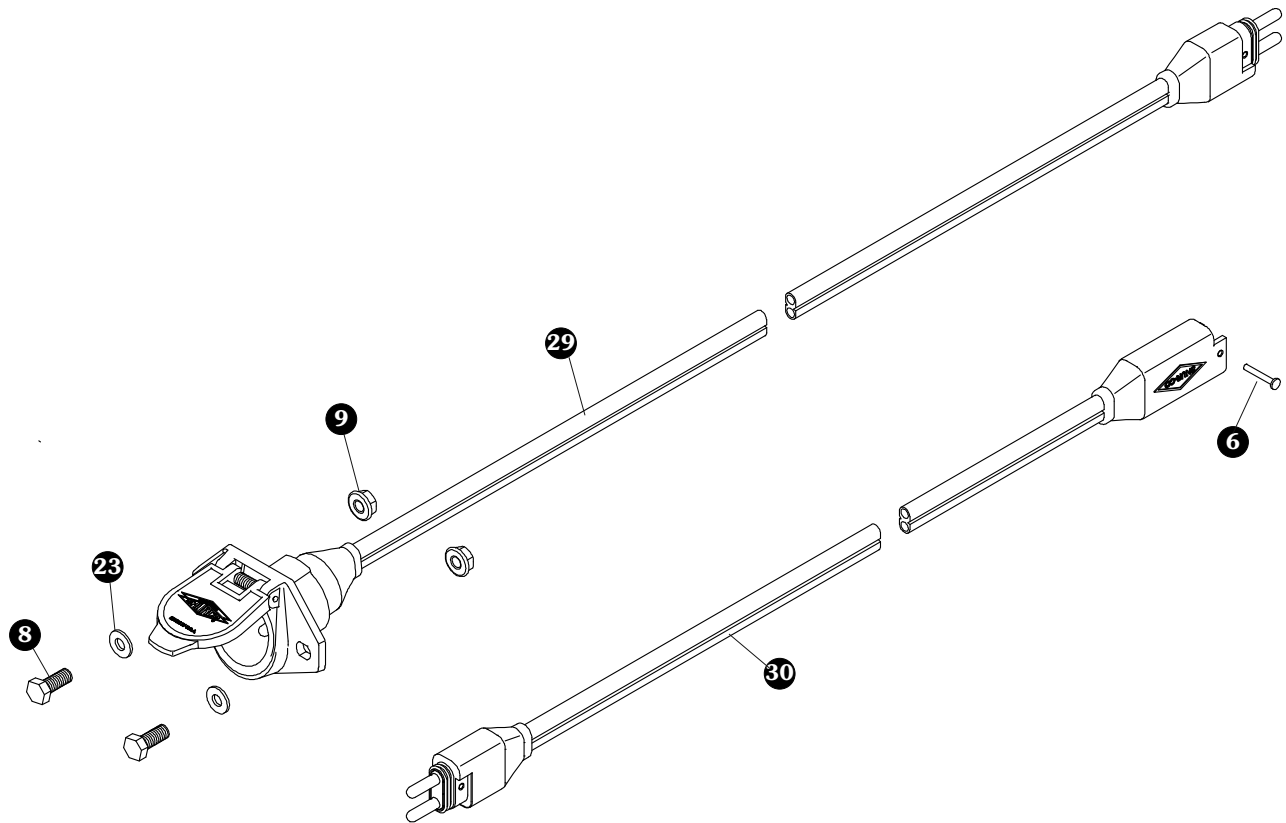


SMARTWIRE™ INSTALLATION

This instruction sheet covers a variety of trailers, therefore locations for SMARTwire™ components shown here may need to vary slightly on your trailer. Mounting locations are critical because wire lengths cannot be altered. Mounting SMARTwire™ components as close as possible to locations shown will not only ensure quick and easy installation but also facilitate SMARTwire™ upgrades.

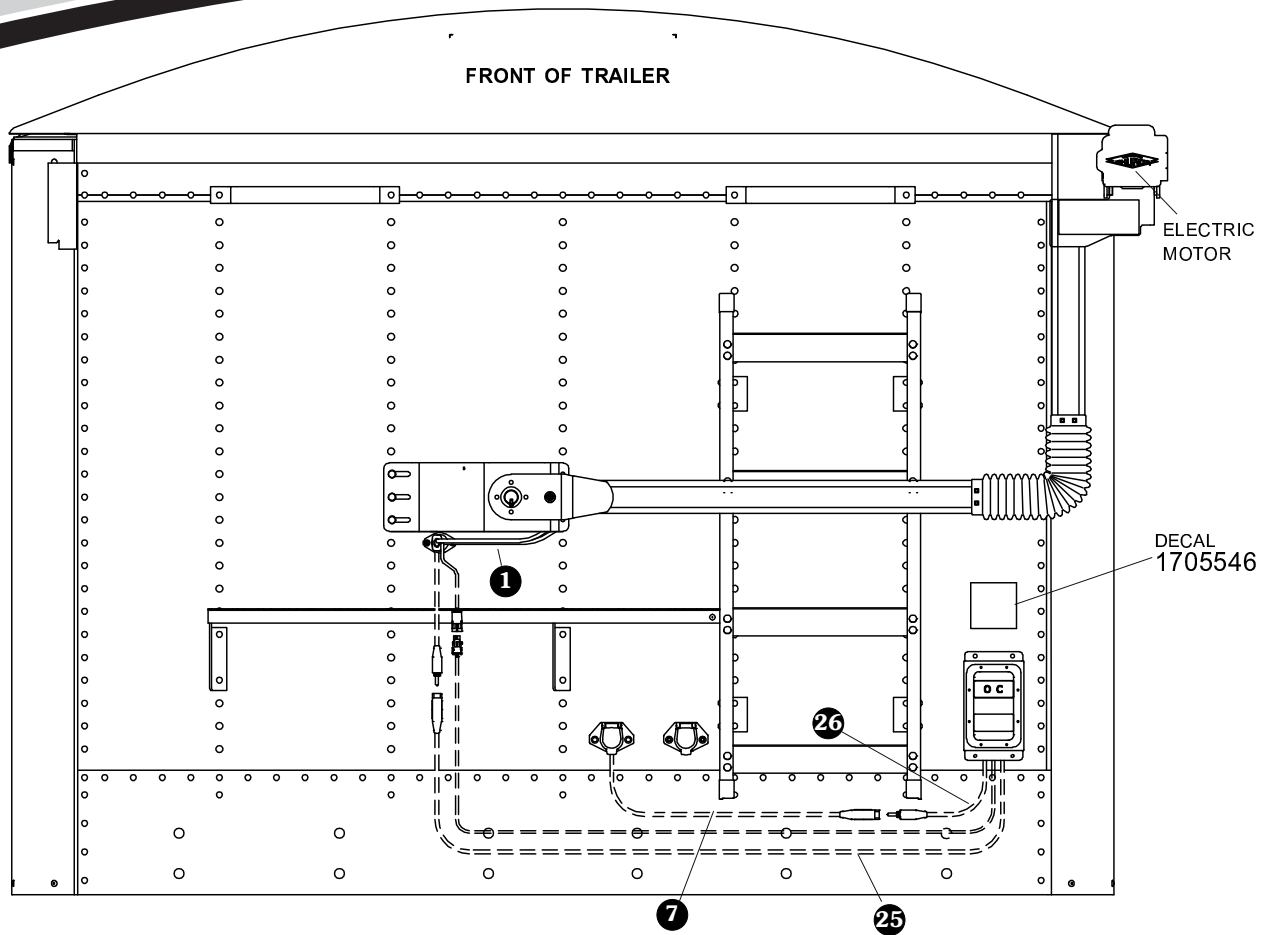
| Item | Part # | Description |
|------|---------|--|
| 1. | | SMARTwire™ - 6 Ga. - Plug - 9' 9" w/Encoder Wire |
| 2. | 1700403 | Self-Tapping Screw - 1/4" x 3/4" |
| 3. | 1700427 | Flat Washer - 1/4" |
| 4. | 1700436 | Lock Washer - 1/4" |
| 5. | 1700408 | Hex Nut - 1/4" |
| 6. | 1704751 | Harness Lock Pin - 1/4" x 7/8" |
| 7. | 1120670 | SMARTwire™ Dual-Conductor Socket |
| 8. | 1701045 | Cap Screw - 5/16" x 3/4" |
| 9. | 1704946 | Flanged Top Lock Nut - 5/16" |
| 10. | 1704695 | Harness Junction Block |
| 11. | 1704717 | Wire Harness Rubber Plug |
| 12. | 1704696 | Harness Lock Pin - Long |

| Item | Part # | Description |
|------|---------|---|
| 13. | 1704711 | Harness Lock Pin - Short |
| 14. | 1704338 | Self-Tapping Screw - 1/4" x 1" |
| 15. | 1702926 | Cap Screw - 5/16" x 7/8" |
| 16. | | Shur-Co® Wireless Receiver - SMARTWire™ |
| 17. | 1700428 | Flat Washer - 5/16" |
| 18. | 1700419 | Lock Nut - 5/16" |
| 19. | 1202938 | Rubber Grommet - 1 1/2" Insert |
| 20. | 1702108 | Wire Clip - 3/4" |
| 21. | 1703231 | Cable Tie - 8" |
| 22. | 1704704 | SMARTwire™ - 6 Ga. x 25' - Plug/Socket |
| 25. | 1120817 | SMARTwire™ - 6 Ga. x 6' 3" - Socket |
| 26. | 1704705 | SMARTwire™ - 6 Ga. x 2' 4" - Plug |
| 27. | 1700427 | Flat Washer - 1/4" |



**LEAD TRAILER WIRING PARTS FOR SUPPLYING
POWER TO REAR/PUP TRAILERS**

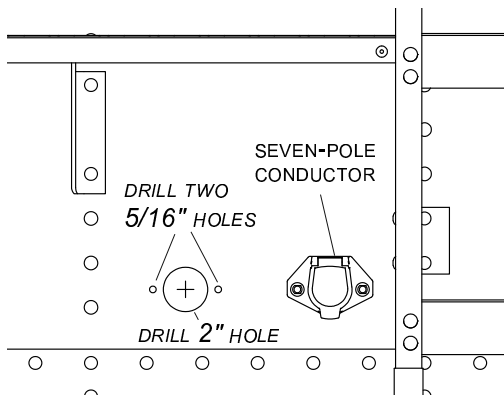
| <u>Item</u> | <u>Part #</u> | <u>Description</u> |
|-------------|---------------|--|
| 6. | 1704751 | Harness Lock Pin - 1/4" x 7/8" |
| 8. | 1701045 | Cap Screw - 5/16" x 3/4" |
| 9. | 1704946 | Flanged Top Lock Nut - 5/16" |
| 23. | 1700427 | Flat Washer - 1/4" |
| 29. | 1122541 | SMARTwire™ - 4 Ga. x 22' - Dual-Conductor Socket |
| | 1122542 | SMARTwire™ - 4 Ga. x 32' - Dual-Conductor Socket |
| | 1122543 | SMARTwire™ - 4 Ga. x 40' - Dual-Conductor Socket |
| 30. | 1704888 | SMARTwire™ - 4 Ga. x 25' - Plug/Socket |



NOTE: Wire lengths are predetermined. Before installing SMARTwire™ components, review and confirm wire routing so wires reach components with ample room for connection.

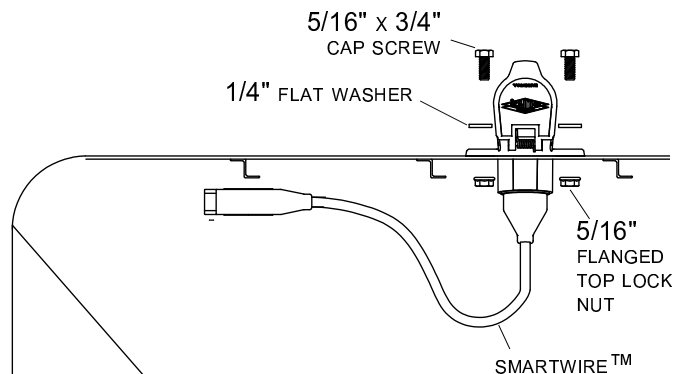
DUAL-POLE CONDUCTOR SOCKET INSTALLATION

STEP 1: Locate dual-pole conductor socket near seven-pole conductor socket as shown. Determine location and drill 2" hole through trailer skin.



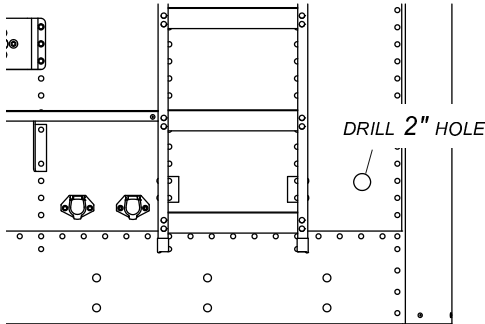
STEP 2: Align socket over 2" hole. Using holes in flanges on socket as guide, mark and drill two 5/16" holes.

STEP 3: Fasten conductor socket to trailer with 5/16" x 3/4" cap screws, flat washers and nuts.

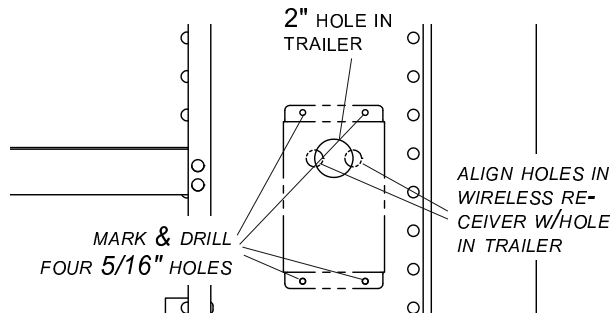


SHUR-CO® WIRELESS RECEIVER INSTALLATION

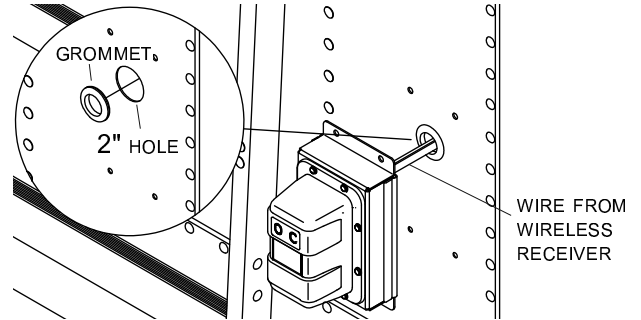
STEP 1: In order to clear travel area of front arm, locate Shur-Co® wireless receiver as low as possible on front of trailer. Determine location and drill 2" hole through trailer skin.



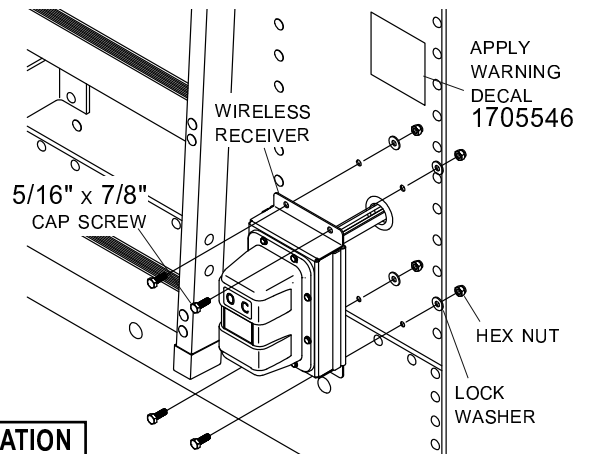
STEP 2: Align holes in wireless receiver over 2" hole in trailer as shown below. Using holes on flanges on receiver as guide, mark and drill four 5/16" holes as shown.



STEP 3: Install grommet into 2" hole. Insert wire from wireless receiver through grommet.

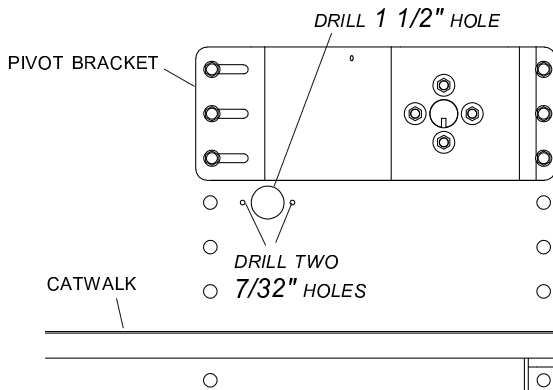


STEP 4: Align holes on wireless receiver with holes on trailer. Fasten receiver to trailer with 5/16" x 7/8" cap screws, lock washers and nuts. Adhere warning decal P/N 1705546 above receiver in location shown.



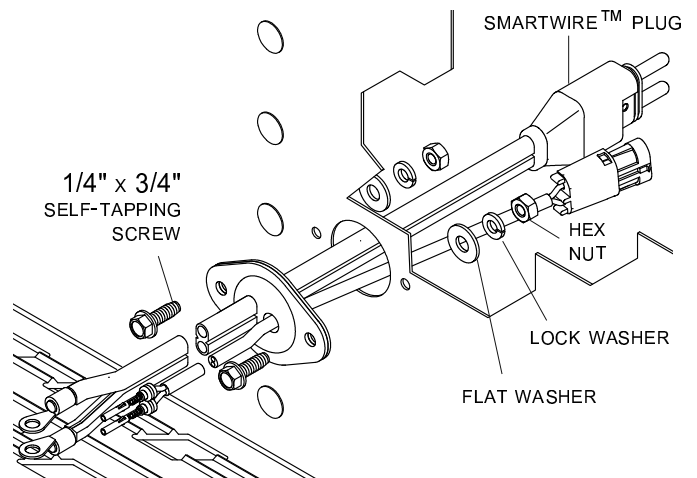
ADAPTER PLUG INSTALLATION

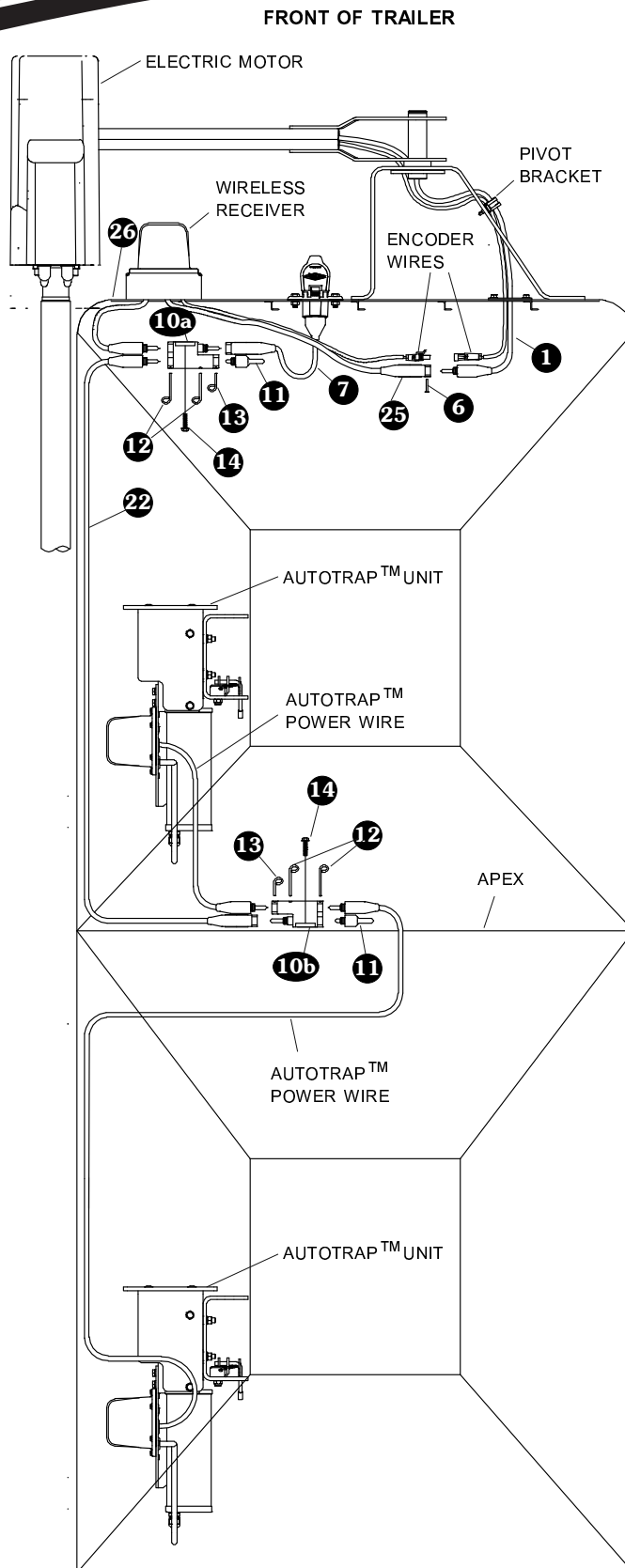
STEP 1: Measure 11" horizontally from center line of trailer and 1" down from lower edge of pivot bracket. Mark and drill 1 1/2" hole through trailer skin.



STEP 2: Align adapter plug with 1 1/2" hole. Using plug as guide, mark and drill two 7/32" holes as shown.

STEP 3: Fasten adapter plug to front of trailer with 1/4" x 3/4" cap screws, lock washers and nuts.





NOTE: Coat each connection with dielectric grease (P/N 1704378) to prevent corrosion.

CAUTION
Do not fasten SMARTwire™ components to trailer through hopper walls.

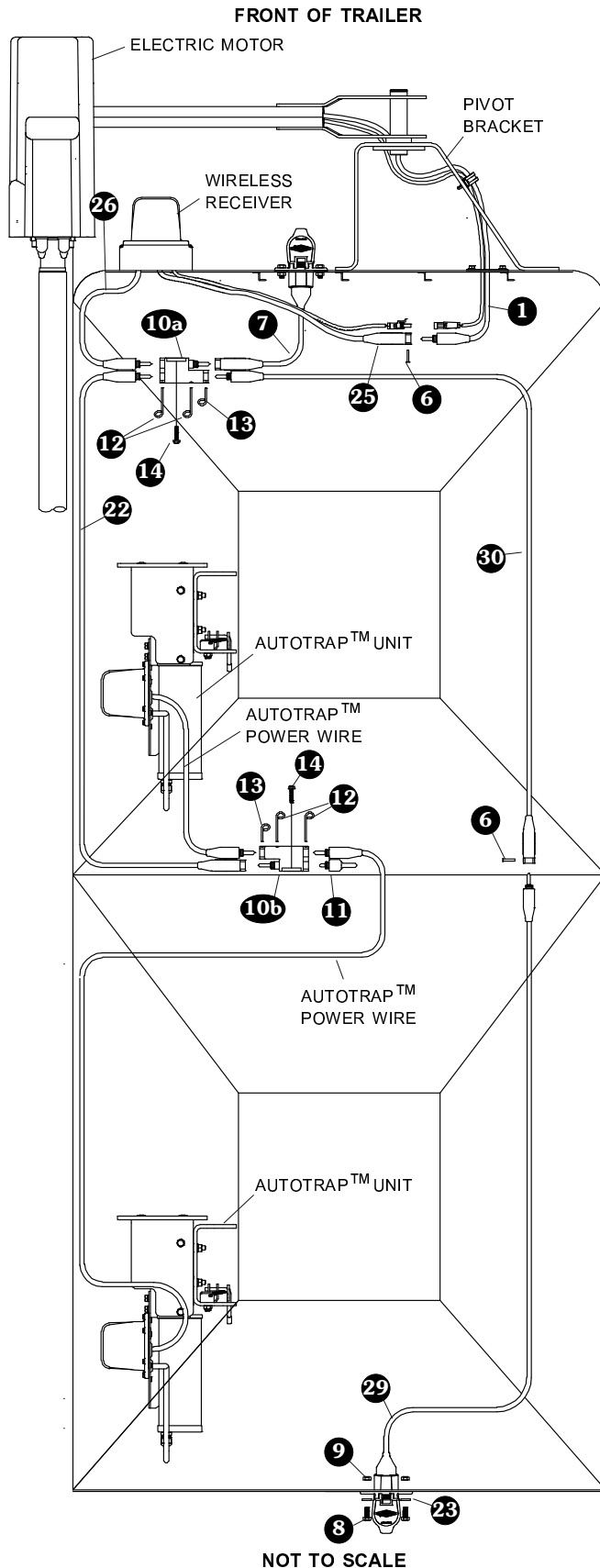
FRONT OF TRAILER

- STEP 1:** Route SMARTwire™ 25 from wireless receiver to adapter plug 1. Connect wire to adapter plug and secure with lock pin 6. Connect encoder wire ends.
- STEP 2:** To determine location of front junction block, route SMARTwires 7 and 26 to location where wires reach. Mount junction block 10a at this location. Using holes in junction block as guide, mark and drill two 7/32" holes.
- STEP 3:** Fasten junction block 10a to trailer with screws 14.
- STEP 4:** Connect SMARTwires 7, 22 and 26 to junction block 10a. Insert plug 11 into remaining socket. Secure connections with lock pins 12 and 13.
- STEP 5:** Route SMARTwire™ 22 from front to apex of trailer.

APEX OF TRAILER

- STEP 6:** To determine location of second junction block, route SMARTwire™ 22 and AutoTrap™ power wires to location near apex of trailer where wires reach. Mount junction block 10b at this location. Using holes in junction block as guide, mark and drill two 7/32" holes.
- STEP 7:** Fasten junction block 10b to trailer with screws 14.
- STEP 8:** Connect SMARTwires 22 and AutoTrap™ power wires to junction block 10b at apex of trailer. Insert plug 11 into remaining socket. Secure all connections with lock pins 12 and 13.
- STEP 9:** Secure all wires to trailer with cable clips 20 and screws 14. If needed, use cable ties 21.

NOTE: For lead/pup trailer configurations, continue on next page.



NOTE: Coat each connection with dielectric grease (P/N 1704378) to prevent corrosion.

⚠ CAUTION
Do not fasten SMARTwire™ components to trailer through hopper walls.

FRONT OF TRAILER
STEP 1: Follow wiring instructions on previous page.

STEP 2: Route SMARTwire™ 30 towards rear of trailer and plug into junction block 10a. Secure with lock pin 13.

REAR OF TRAILER
STEP 3: To determine location for conductor socket 29 on rear of trailer, route SMARTwire™ 30 and SMARTwire™ 29 from conductor socket 29 to location near middle of trailer where wires reach. Mount conductor socket at this location.

STEP 4: Follow steps 1 to 3 on page 3 to install conductor socket 29.

MIDDLE OF TRAILER
STEP 5: Connect SMARTwires 30 and 29. Secure with lock pin 6.

STEP 6: Secure all wires to trailer with cable clips 20 and screws 14. If needed, use cable ties 21.

MORE QUALITY PRODUCTS FROM SHUR-CO®

- **Genuine Replacement Tarps**
- **Genuine Replacement Parts**

- **Agriculture Products**
 - Value Series Shur-Lok®
 - Super Duty Shur-Lok®
 - Shur-Lok® Junior
 - Premium Belt 'n Ratchet
 - Cable-Lok™
 - Turning Point™ Bow
 - Tater-Top™

- **SMARTrailer™ Accessories for Agriculture Products**
 - SMART2™ Remote
 - SMART1 +™ Remote
 - 4500 Series HD Electric
 - Electric Shur-Lok®
 - AutoTrap™ Hopper Opener
 - ProTrap® Hopper Opener
 - Electric Gate & Hoist
 - LiteALL™ Work Lights
 - Cable-Lok™ Electric Upgrade
 - Electric Turning Point™ Bow
 - Solar Power Pack

- **Flatbed Products**
 - ShurTite™ Retractable Tarps
 - Stock Lumber & Steel Tarps

- **Custom Products**
 - Fitted Truck Covers
 - Flat Utility Tarps
 - Bean Drill Covers
 - Shur-Lok® Tarp Cords
 - Gustbuster™ Tarp Cords

- **Construction Products**
 - Super Duty Shur-Lok®
 - Shur-Trak II™
 - Cover-Pro II®
 - Turning Point™ Bow
 - IronSide™ Side-Dump System
 - Arm-Matic™
 - DuraPull™
 - Econo-Pull™
 - Turbo Tarp2™
 - 2000 Series
 - 5000 Series
 - Hammer™
 - Bullet™
 - Flash™
 - Long Arm™

- **SMARTrailer™ Accessories for Construction Products**
 - 4500 Series HD Electric w/Gate Flex™
 - Shur-Trak II™ Electric Upgrade
 - Cover-Pro II® Electric Upgrade
 - Electric Turning Point™ Bow
 - Solar Power Pack

- **Waste Products**
 - SWAT™
 - The Ox™
 - Quick-Flip III™
 - Sidewinder™
 - Sidewinder™ 350
 - HyTower™ SL
 - HyTower™ DL
 - Double-Flip™

TARPING SYSTEMS & ACCESSORIES

