



TARPING SYSTEMS & ACCESSORIES

P/N 1124111 Rev. D

# INSTALLATION INSTRUCTIONS

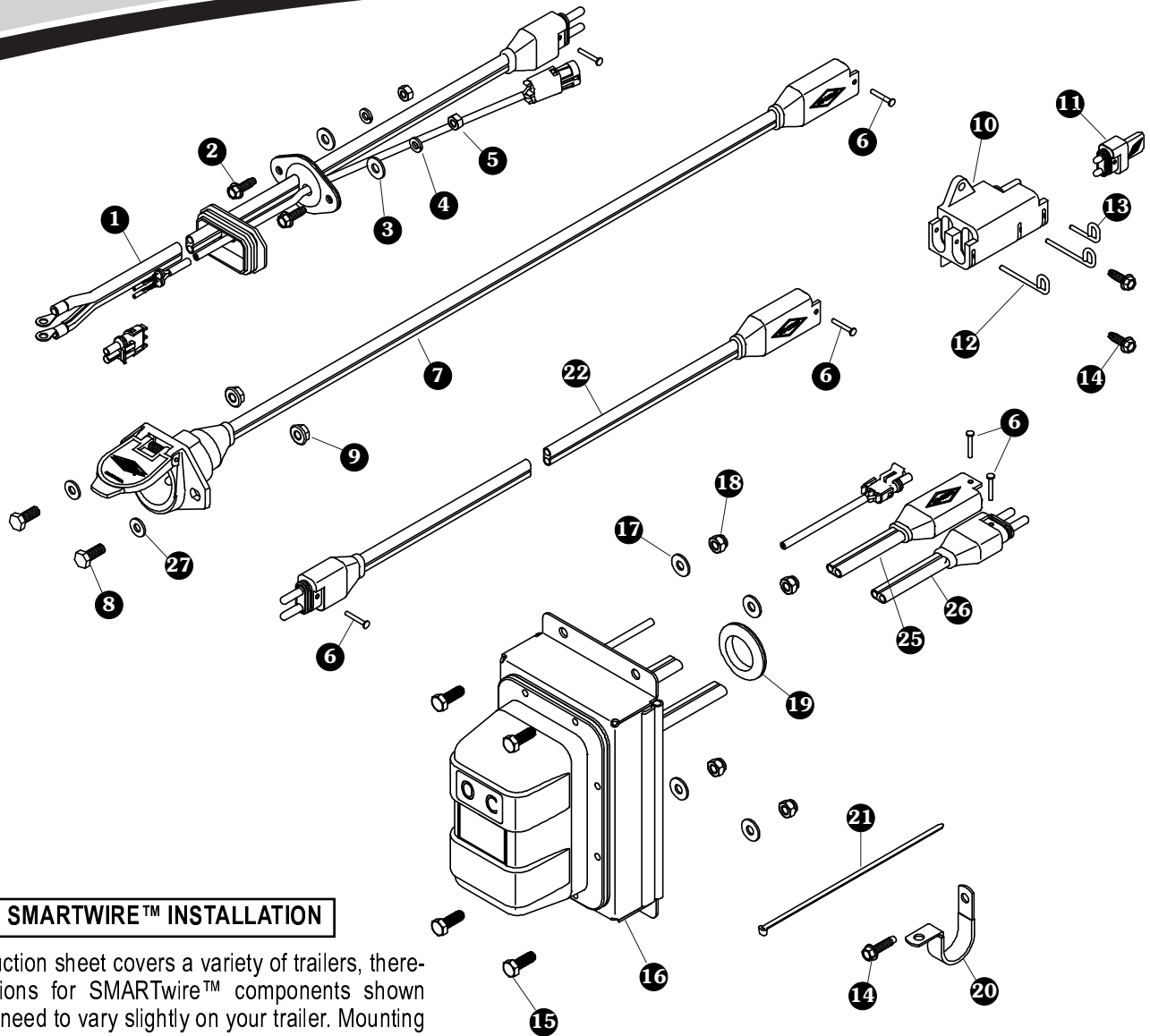


## Wiring 4500 Series & Four AutoTraps

*READ BEFORE INSTALLING*

PO BOX 713 ■ 2309 SHUR-LOK STREET ■ YANKTON, SD 57078-0713  
PHONE 1-800-4-SHUR-LOK (1-800-474-8756) ■ FAX 605-665-0501  
[www.shurco.com](http://www.shurco.com)

SHOP ONLINE: [www.shopshurco.com](http://www.shopshurco.com)

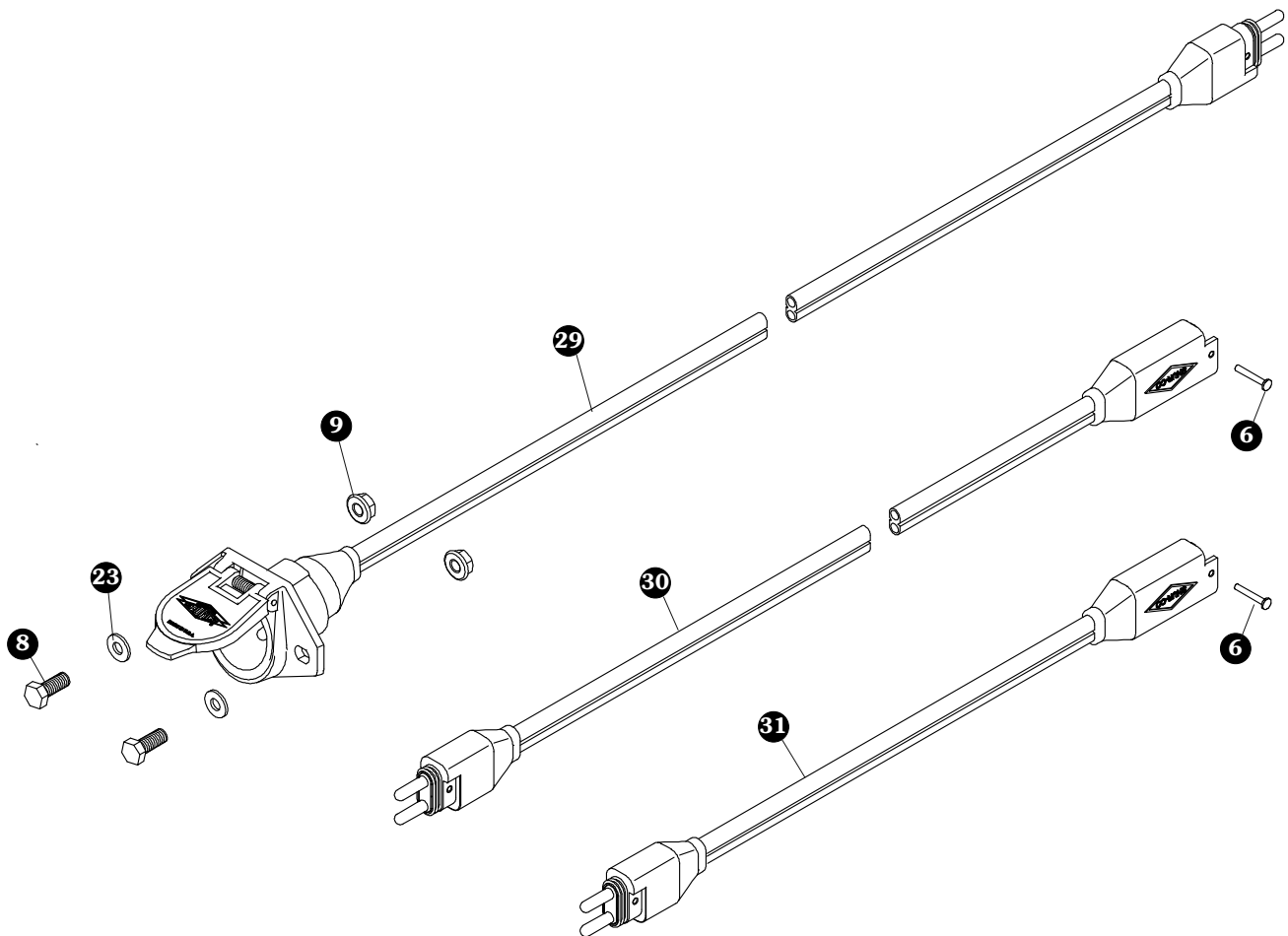


**SMARTWIRE™ INSTALLATION**

This instruction sheet covers a variety of trailers, therefore locations for SMARTwire™ components shown here may need to vary slightly on your trailer. Mounting locations are critical because wire lengths cannot be altered. Mounting SMARTwire™ components as close as possible to locations shown will not only ensure quick and easy installation but also facilitate SMARTwire™ upgrades.

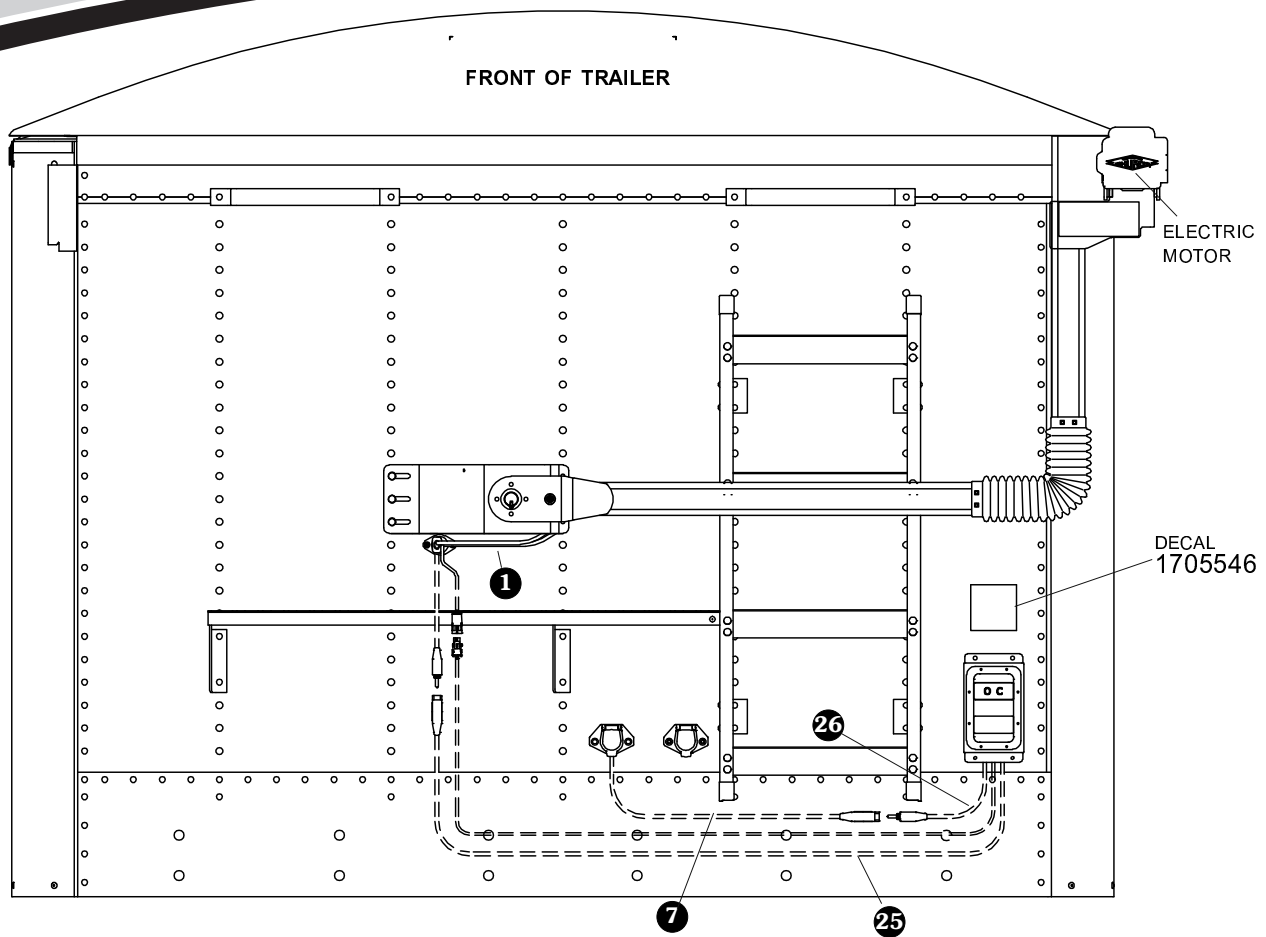
Item	Part #	Description
1.		SMARTwire™ - 6 Ga. - Plug - 9' 9" w/Encoder Wire
2.	1700403	Self-Tapping Screw - 1/4" x 3/4"
3.	1700427	Flat Washer - 1/4"
4.	1700436	Lock Washer - 1/4"
5.	1700408	Hex Nut - 1/4"
6.	1704751	Harness Lock Pin - 1/4" x 7/8"
7.	1120670	SMARTwire™ Dual-Conductor Socket
8.	1701045	Cap Screw - 5/16" x 3/4"
9.	1704946	Flanged Top Lock Nut - 5/16"
10.	1704695	Harness Junction Block
11.	1704717	Wire Harness Rubber Plug
12.	1704696	Harness Lock Pin - Long

Item	Part #	Description
13.	1704711	Harness Lock Pin - Short
14.	1704338	Self-Tapping Screw - 1/4" x 1"
15.	1702926	Cap Screw - 5/16" x 7/8"
16.		Shur-Co® Wireless Receiver - SMARTWire™
17.	1700428	Flat Washer - 5/16"
18.	1700419	Lock Nut - 5/16"
19.	1202938	Rubber Grommet - 1 1/2" Insert
20.	1702108	Wire Clip - 3/4"
21.	1703231	Cable Tie - 8"
22.	1704704	SMARTwire™ - 6 Ga. x 25' - Plug/Socket
25.	1120817	SMARTwire™ - 6 Ga. x 6' 3" - Socket
26.	1704705	SMARTwire™ - 6 Ga. x 2' 4" - Plug
27.	1700427	Flat Washer - 1/4"



**LEAD TRAILER WIRING PARTS FOR SUPPLYING POWER TO REAR/PUP TRAILERS**

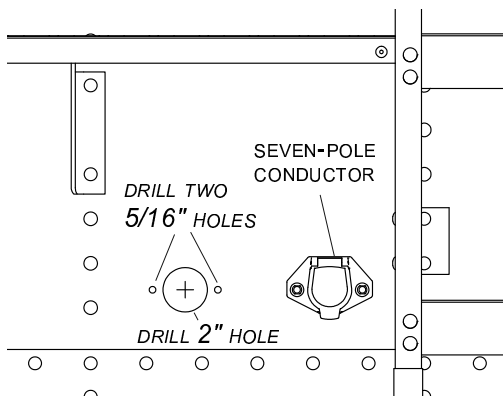
Item	Part #	Description
6.	1704751	Harness Lock Pin - 1/4" x 7/8"
8.	1701045	Cap Screw - 5/16" x 3/4"
9.	1704946	Flanged Top Lock Nut - 5/16"
23.	1700427	Flat Washer - 1/4"
29.	1122541	SMARTwire™ - 4 Ga. x 22' - Dual-Conductor Socket
	1122542	SMARTwire™ - 4 Ga. x 32' - Dual-Conductor Socket
	1122543	SMARTwire™ - 4 Ga. x 40' - Dual-Conductor Socket
30.	1704888	SMARTwire™ - 4 Ga. x 25' - Plug/Socket
31.	1704857	SMARTwire™ - 6 Ga. x 1' - Plug/Socket



**NOTE:** Wire lengths are predetermined. Before installing SMARTwire™ components, review and confirm wire routing so wires reach components with ample room for connection.

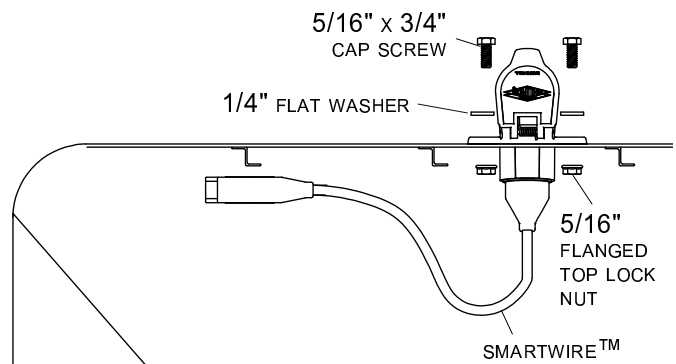
**DUAL-POLE CONDUCTOR SOCKET INSTALLATION**

**STEP 1:** Locate dual-pole conductor socket near seven-pole conductor socket as shown. Determine location and drill 2" hole through trailer skin.



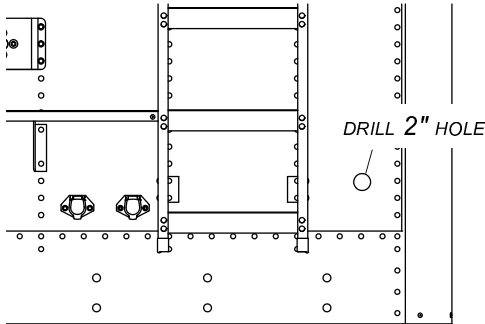
**STEP 2:** Align socket over 2" hole. Using holes in flanges on socket as guide, mark and drill two 5/16" holes.

**STEP 3:** Fasten conductor socket to trailer with 5/16" x 3/4" cap screws, flat washers and nuts.

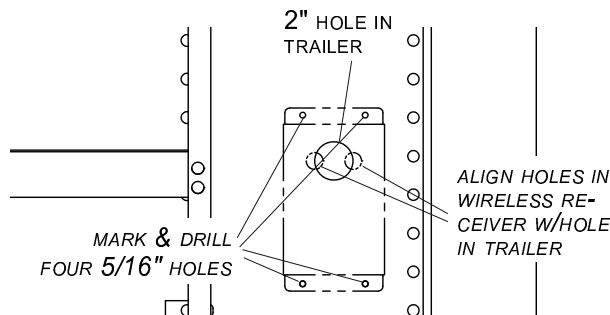


**SHUR-CO® WIRELESS RECEIVER INSTALLATION**

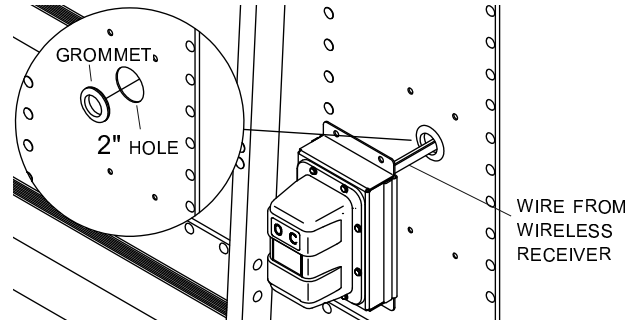
**STEP 1:** In order to clear travel area of front arm, locate Shur-Co® wireless receiver as low as possible on front of trailer. Determine location and drill 2" hole through trailer skin.



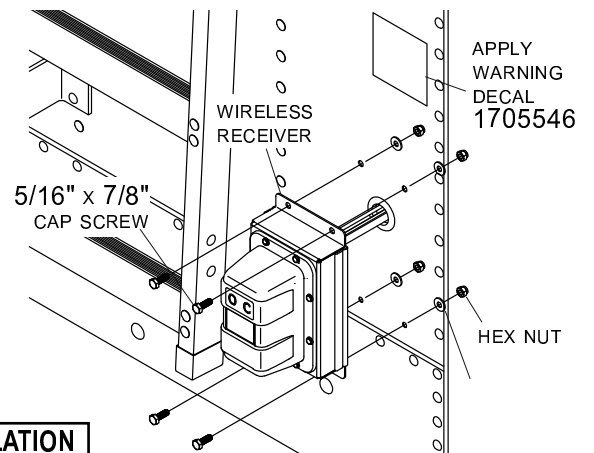
**STEP 2:** Align holes in wireless receiver over 2" hole in trailer as shown below. Using holes on flanges on receiver as guide, mark and drill four 5/16" holes as shown.



**STEP 3:** Install grommet into 2" hole. Insert wire from wireless receiver through grommet.

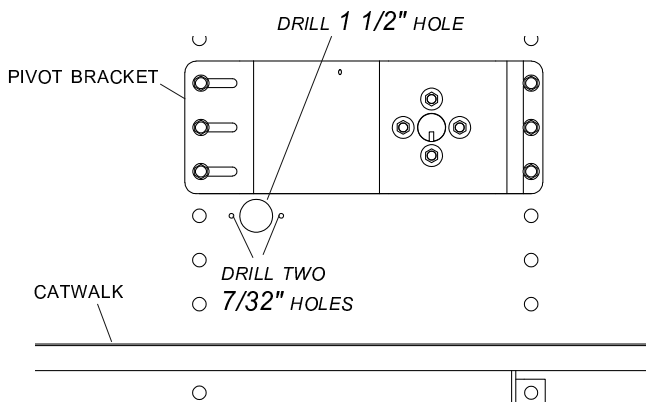


**STEP 4:** Align holes on wireless receiver with holes on trailer. Fasten receiver to trailer with 5/16" x 7/8" cap screws, lock washers and nuts. Adhere warning decal P/N 1705546 above receiver in location shown.



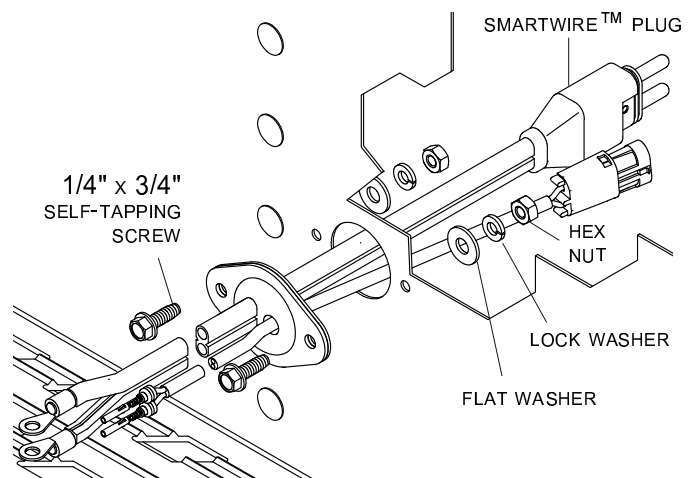
**ADAPTER PLUG INSTALLATION**

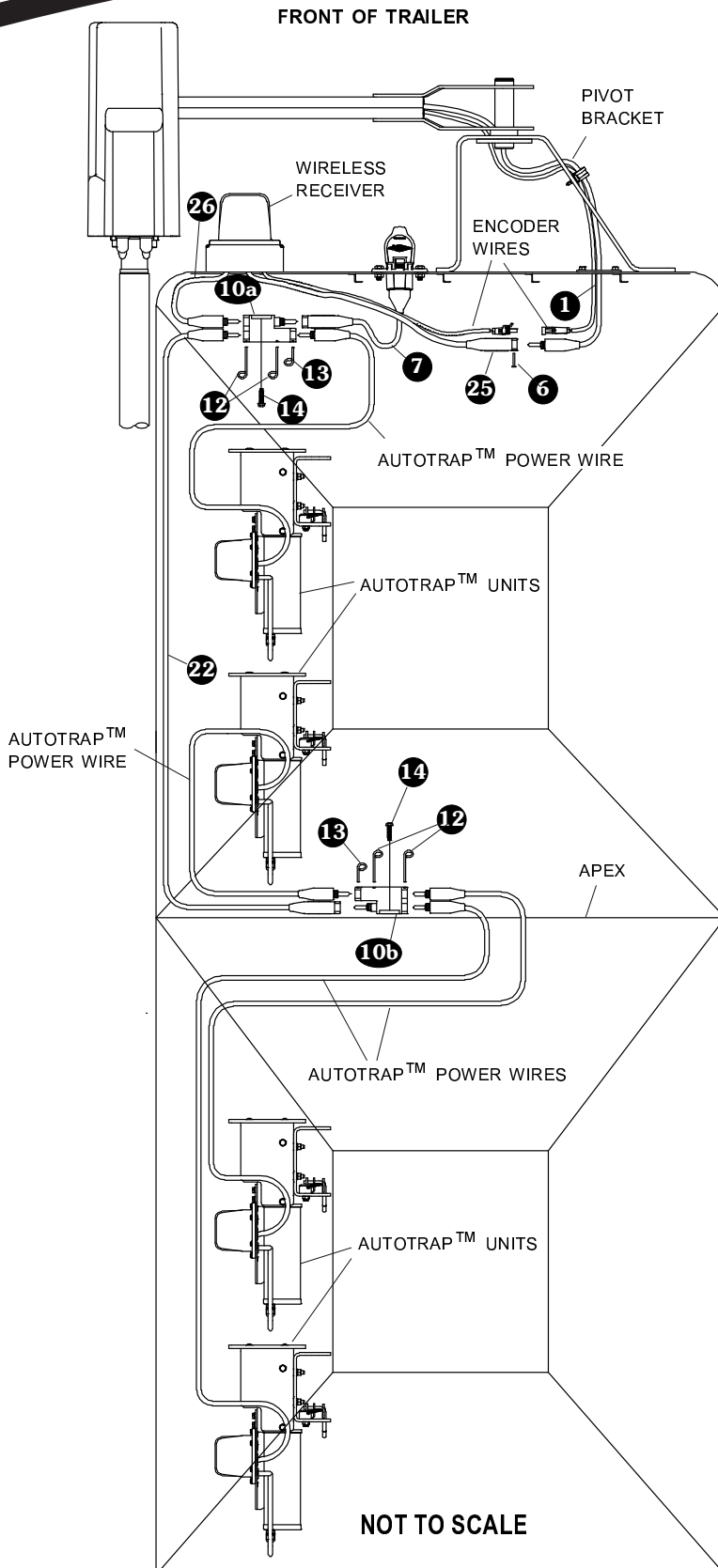
**STEP 1:** Measure 11" horizontally from center line of trailer and 1" down from lower edge of pivot bracket. Mark and drill 1 1/2" hole through trailer skin.



**STEP 2:** Align adapter plug with 1 1/2" hole. Using plug as guide, mark and drill two 7/32" holes as shown.

**STEP 3:** Fasten adapter plug to front of trailer with 1/4" x 3/4" cap screws, lock washers and nuts.





**NOTE:** Coat each connection with dielectric grease (P/N 1704378) to prevent corrosion.

**CAUTION**  
Do not fasten SMARTwire™ components to trailer through hopper walls.

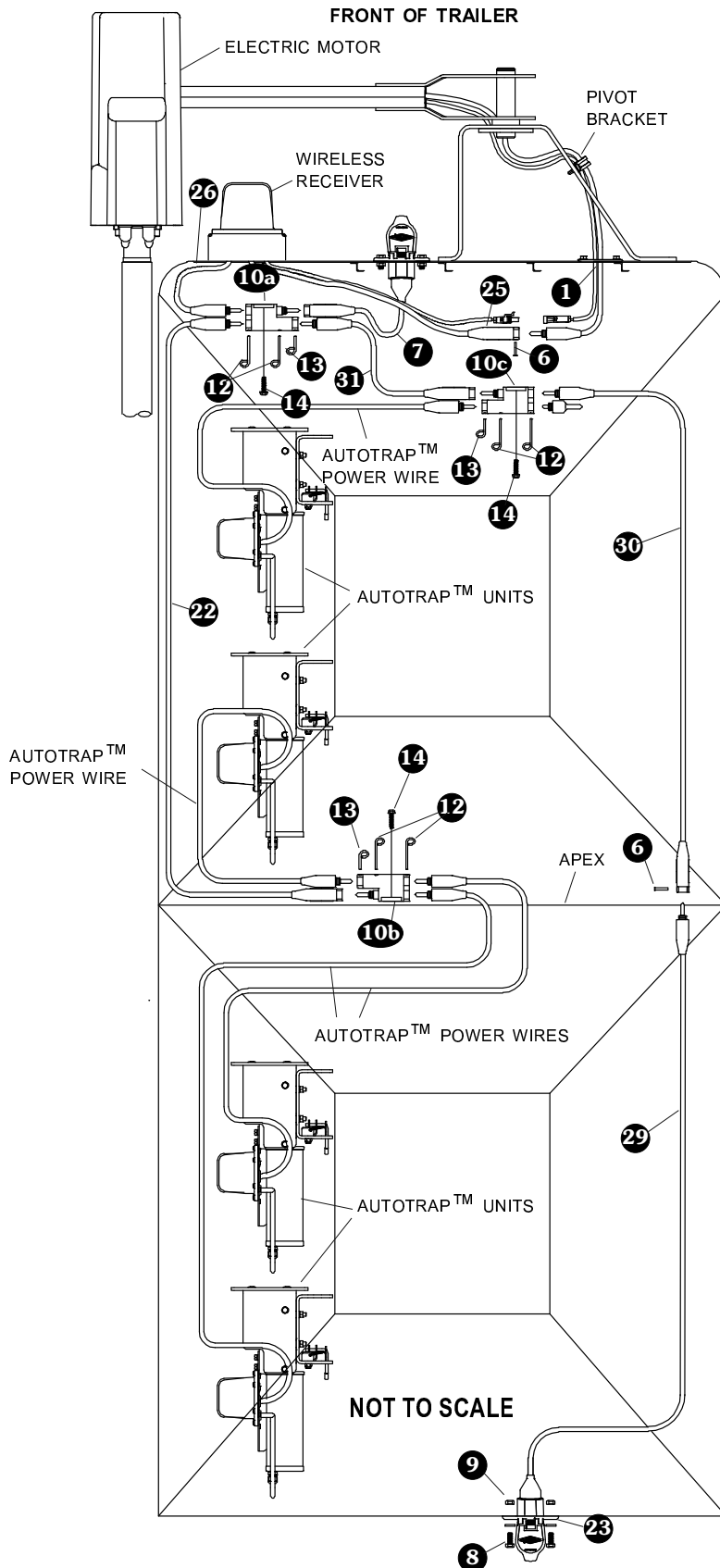
**FRONT OF TRAILER**

- STEP 1:** Route SMARTwire™ 25 from wireless receiver to adapter plug 1. Connect wire to adapter plug and secure with lock pin 6. Connect encoder wire ends.
- STEP 2:** To determine location of front junction block, route SMARTwires 7 and 25 to location where wires reach. Mount junction block 10a at this location. Using holes in junction block as guide, mark and drill two 7/32" holes.
- STEP 3:** Fasten junction block 10a to trailer with screws 14.
- STEP 4:** Connect SMARTwires 7, 22, AutoTrap™ power wire and 25 to junction block 10a. Secure connections with lock pins 12 and 13.
- STEP 5:** Route SMARTwire™ 22 from front to apex of trailer.

**APEX OF TRAILER**

- STEP 6:** To determine location of second junction block, route SMARTwires 22 and AutoTrap™ power wires to location near apex of trailer where wires reach. Mount junction block 10b at this location. Using holes in junction block as guide, mark and drill two 7/32" holes.
- STEP 7:** Fasten junction block 10b to trailer with screws 14.
- STEP 8:** Connect SMARTwires 22 and AutoTrap™ power wires to junction block 10b at apex of trailer. Secure all connections with lock pins 12 and 13.
- STEP 9:** Secure all wires to trailer with cable clips 20 and screws 14. If needed, use cable ties 21.

**NOTE:** For lead/pup trailer configurations, continue on next page.



**NOTE:** Coat each connection with dielectric grease (P/N 1704378) to prevent corrosion.

**⚠ CAUTION**

**Do not fasten SMARTwire™ components to trailer through hopper walls.**

### FRONT OF TRAILER

- STEP 1:** Follow wiring instructions on previous page.
- STEP 2:** Remove lock pin **13** and AutoTrap™ power wire from junction block **10a**. Connect SMARTwire™ **31** to junction block **10a** and secure with lock pin **13**.
- STEP 3:** To determine location of junction block **10c** route SMARTwires **30** and **31** to location where wires will reach. Mount junction block **10c** at this location. Using holes in junction block as guide, mark and drill two 7/32" holes.
- STEP 4:** Fasten junction block **10c** to trailer with screws **14**.
- STEP 5:** Route SMARTwire™ **30** towards rear of trailer and plug into junction block **10c**. Secure with lock pin **13**.
- STEP 6:** Connect SMARTwire™ **31**, plug **11** and AutoTrap™ power wire to junction block **10c**. Secure all connections with lock pins **12**.

### REAR OF TRAILER

- STEP 7:** To determine location for conductor socket **29** on rear of trailer, route SMARTwire™ **30** and SMARTwire™ from conductor socket **29** to location near middle of trailer where wires reach. Mount conductor socket at this location.
- STEP 8:** Follow steps 1 to 3 on page 3 to install conductor socket **29**.

### MIDDLE OF TRAILER

- STEP 9:** Connect SMARTwires **30** and **29** Secure with lock pin **6**.
- STEP 10:** Secure all wires to trailer with cable clips **20** and screws **14**. If needed, use cable ties **21**.

# MORE QUALITY PRODUCTS FROM SHUR-CO®

---

- **Genuine Replacement Tarps**
- **Genuine Replacement Parts**
  
- **Agriculture Products**
  - Value Series Shur-Lok®
  - Super Duty Shur-Lok®
  - Shur-Lok® Junior
  - Premium Belt 'n Ratchet
  - Cable-Lok™
  - Turning Point™ Bow
  - Tater-Top™
  
- **SMARTrailer™ Accessories for Agriculture Products**
  - SMART2™ Remote
  - SMART1 +™ Remote
  - 4500 Series HD Electric
  - Electric Shur-Lok®
  - AutoTrap™ Hopper Opener
  - ProTrap® Hopper Opener
  - Electric Gate & Hoist
  - LiteALL™ Work Lights
  - Cable-Lok™ Electric Upgrade
  - Electric Turning Point™ Bow
  - Solar Power Pack
  
- **Flatbed Products**
  - ShurTite™ Retractable Tarps
  - Stock Lumber & Steel Tarps
  
- **Custom Products**
  - Fitted Truck Covers
  - Flat Utility Tarps
  - Bean Drill Covers
  - Shur-Lok® Tarp Cords
  - Gustbuster™ Tarp Cords
  
- **Construction Products**
  - Super Duty Shur-Lok®
  - Shur-Trak II™
  - Cover-Pro II®
  - Turning Point™ Bow
  - IronSide™ Side-Dump System
  - Arm-Matic™
  - DuraPull™
  - Econo-Pull™
  - Turbo Tarp2™
  - 2000 Series
  - 5000 Series
  - Hammer™
  - Bullet™
  - Flash™
  - Long Arm™
  
- **SMARTrailer™ Accessories for Construction Products**
  - 4500 Series HD Electric w/Gate Flex™
  - Shur-Trak II™ Electric Upgrade
  - Cover-Pro II® Electric Upgrade
  - Electric Turning Point™ Bow
  - Solar Power Pack
  
- **Waste Products**
  - SWAT™
  - The Ox™
  - Quick-Flip III™
  - Sidewinder™
  - Sidewinder™ 350
  - HyTower™ SL
  - HyTower™ DL
  - Double-Flip™

TARPING SYSTEMS & ACCESSORIES

