



TARPING SYSTEMS & ACCESSORIES

P/N 1124112 Rev. C

# INSTALLATION INSTRUCTIONS

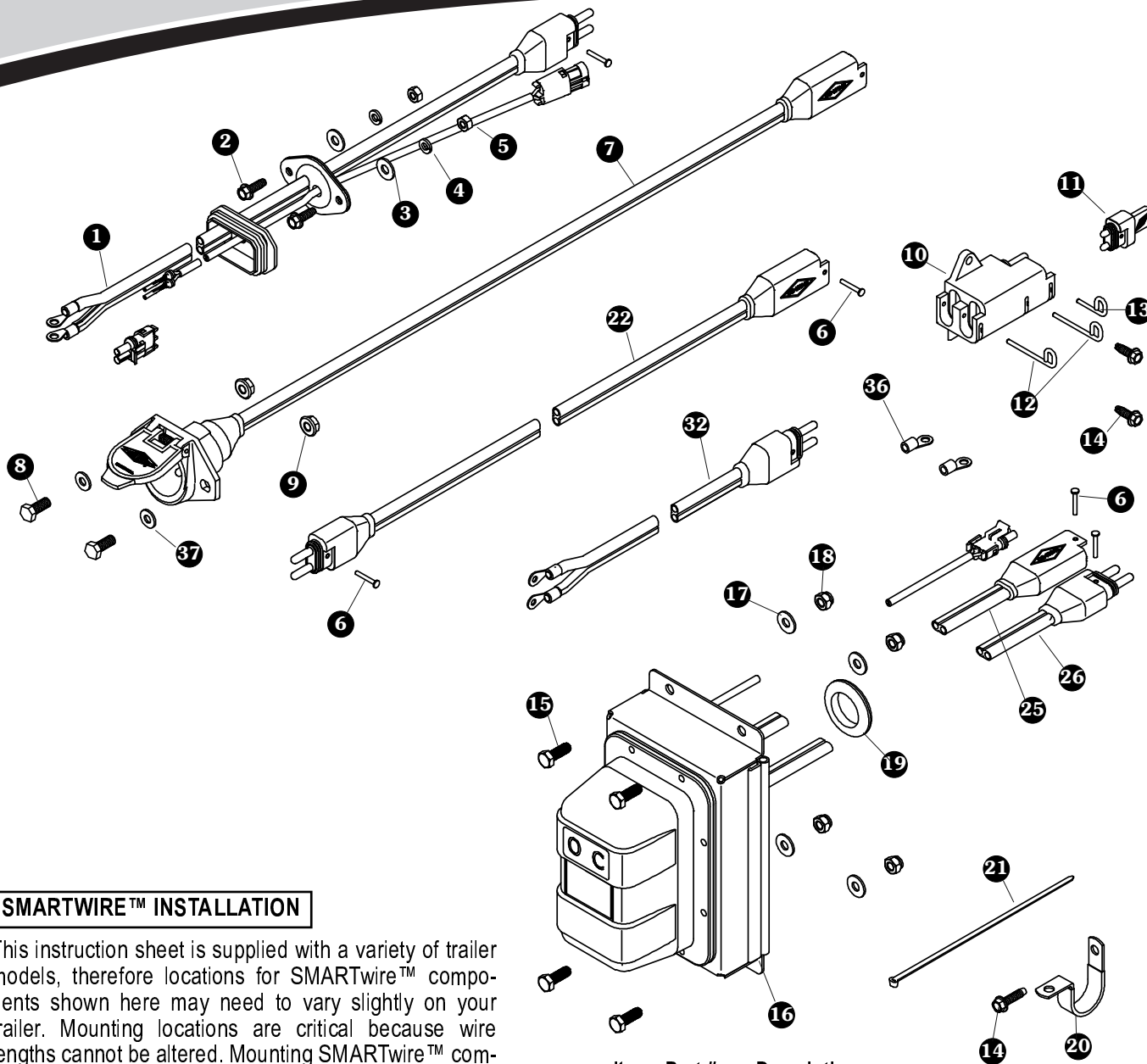


## Wiring - Add On 4500 Series to Electric Trap Openers

*READ BEFORE INSTALLING*

PO BOX 713 ■ 2309 SHUR-LOK STREET ■ YANKTON, SD 57078-0713  
PHONE 1-800-4-SHUR-LOK (1-800-474-8756) ■ FAX 605-665-0501  
[www.shurco.com](http://www.shurco.com)

SHOP ONLINE: [www.shopshurco.com](http://www.shopshurco.com)



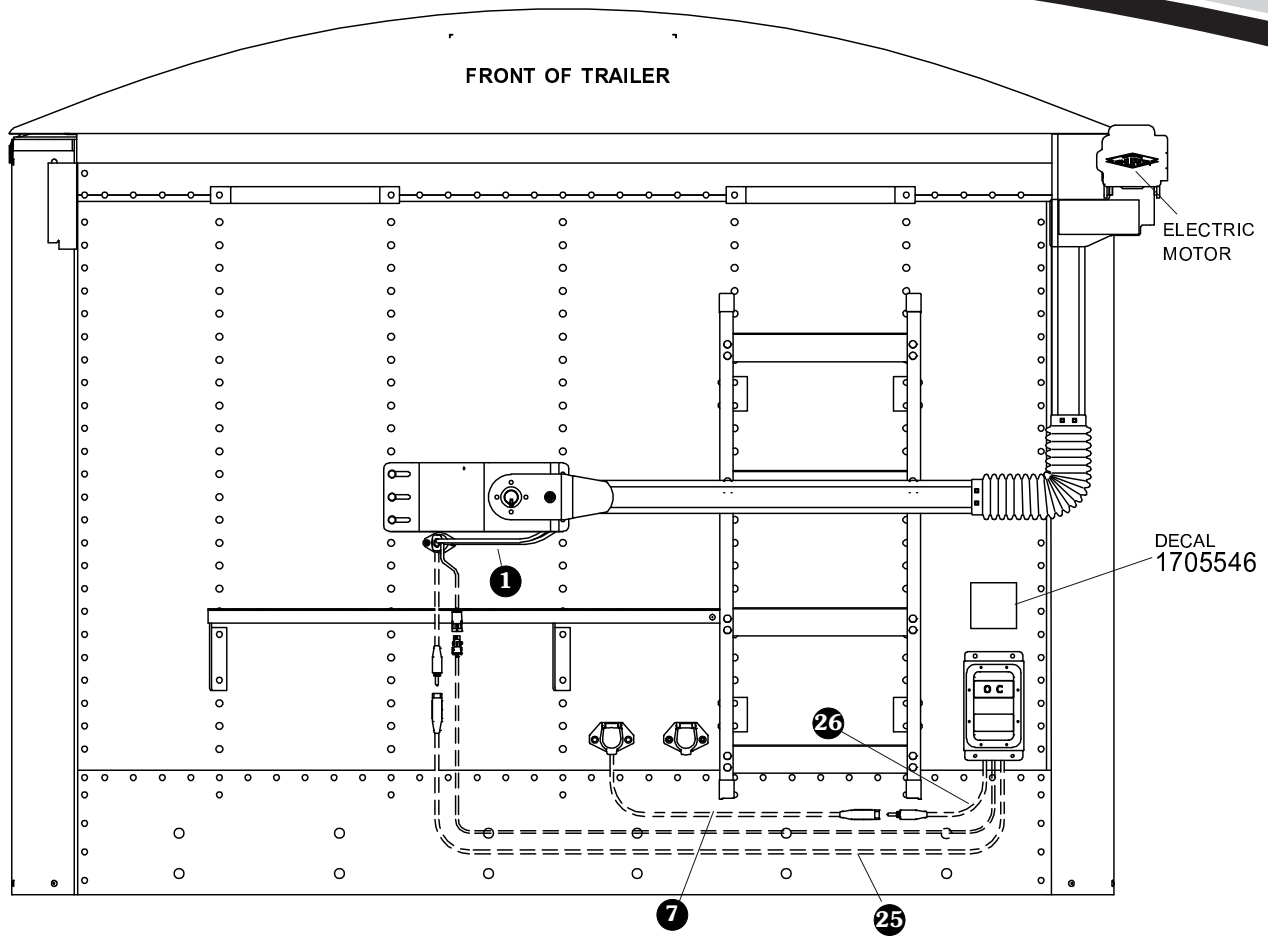
**SMARTWIRE™ INSTALLATION**

This instruction sheet is supplied with a variety of trailer models, therefore locations for SMARTwire™ components shown here may need to vary slightly on your trailer. Mounting locations are critical because wire lengths cannot be altered. Mounting SMARTwire™ components as close as possible to locations shown will not only ensure quick and easy installation but also facilitate SMARTwire™ upgrades.

**Item Part # Description**

1.		SMARTwire™ - 6 Ga. - Plug - 9' 9" w/Encoder Wire
2.	1700403	Self-Tapping Screw - 1/4" x 3/4"
3.	1700427	Flat Washer - 1/4"
4.	1700436	Lock Washer - 1/4"
5.	1700408	Hex Nut - 1/4"
6.	1704751	Harness Lock Pin - 1/4" x 7/8"
7.	1120670	SMARTwire™ Dual-Conductor Socket
8.	1701045	Cap Screw - 5/16" x 3/4"
9.	1704946	Flanged Top Lock Nut - 5/16"
10.	1704695	Harness Junction Block
11.	1704717	Wire Harness Rubber Plug

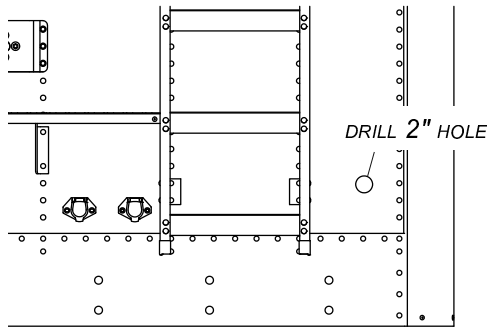
12.	1704696	Harness Lock Pin - Long
13.	1704711	Harness Lock Pin - Short
14.	1704338	Self-Tapping Screw - 1/4" x 1"
15.	1702926	Cap Screw - 5/16" x 7/8"
16.		Shur-Co® Wireless Receiver - SMARTWire™
17.	1700428	Flat Washer - 5/16"
18.	1700419	Lock Nut - 5/16"
19.	1202938	Rubber Grommet - 1 1/2" Insert
20.	1702108	Wire Clip - 3/4"
21.	1703231	Cable Tie - 8"
22.	1704704	SMARTwire™ - 6 Ga. x 25' - Plug/Socket
25.		SMARTwire™ - 6 Ga. x 6' 3" - Socket
26.		SMARTwire™ - 6 Ga. x 2' 4" - Plug
32.		SMARTwire™ - 6 Ga. - Plug/Ring Terminals
36.	1702707	Ring Terminal - 6 Ga. x 1/4" Stud
37.	1700427	Flat Washer - 1/4"



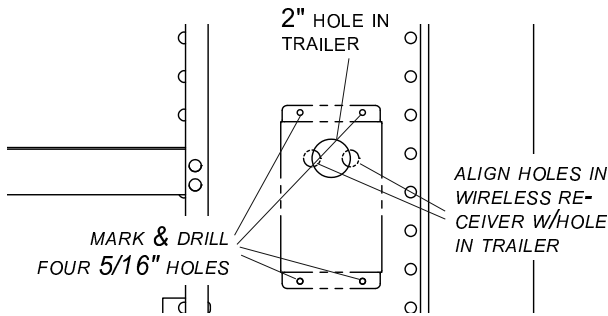
**NOTE:** Wire lengths are predetermined. Before installing SMARTwire™ components, review and confirm wire routing so wires reach components with ample room for connection.

**SHUR-CO® WIRELESS RECEIVER INSTALLATION**

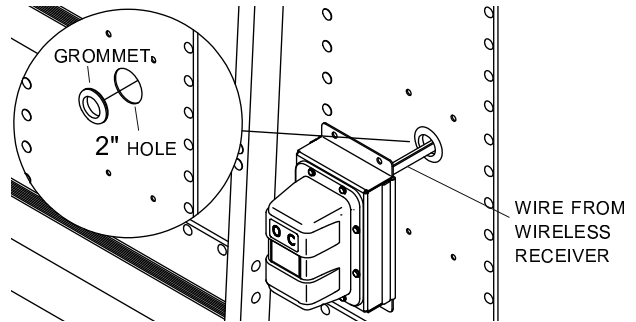
**STEP 1:** In order to clear travel area of front arm, locate Shur-Co® wireless receiver as low as possible on front of trailer. Determine location and drill 2" hole through trailer skin.



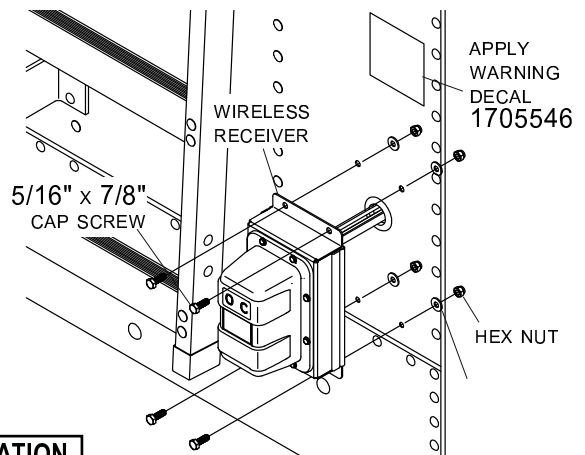
**STEP 2:** Align holes in wireless receiver over 2" hole in trailer as shown below. Using holes on flanges on receiver as guide, mark and drill four 5/16" holes as shown.



**STEP 3:** Install grommet into 2" hole. Insert wire from wireless receiver through grommet.

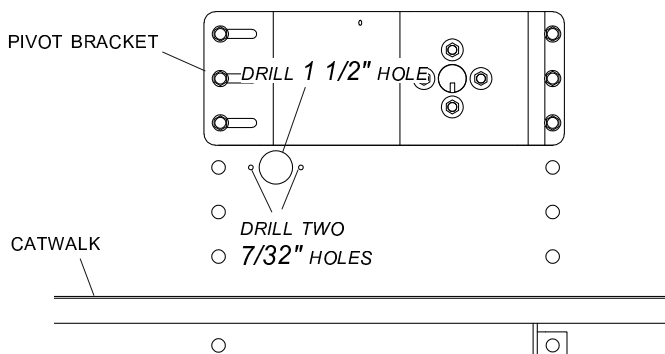


**STEP 4:** Align holes on wireless receiver with holes on trailer. Fasten receiver to trailer with 5/16" x 7/8" cap screws, lock washers and nuts. Adhere warning decal P/N 1705546 above receiver in location shown.



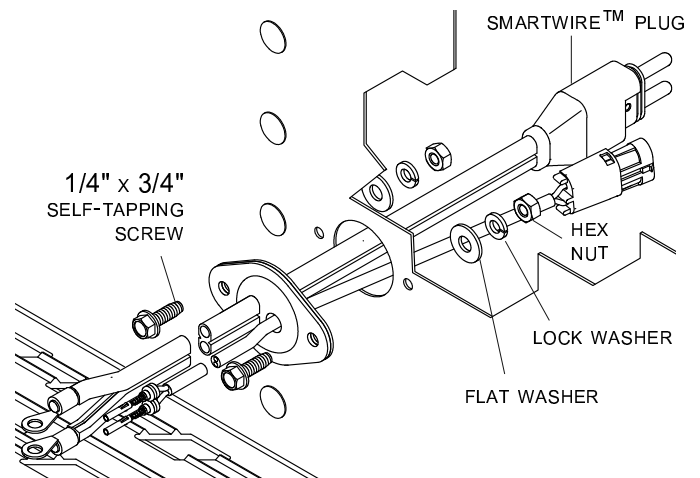
**ADAPTER PLUG INSTALLATION**

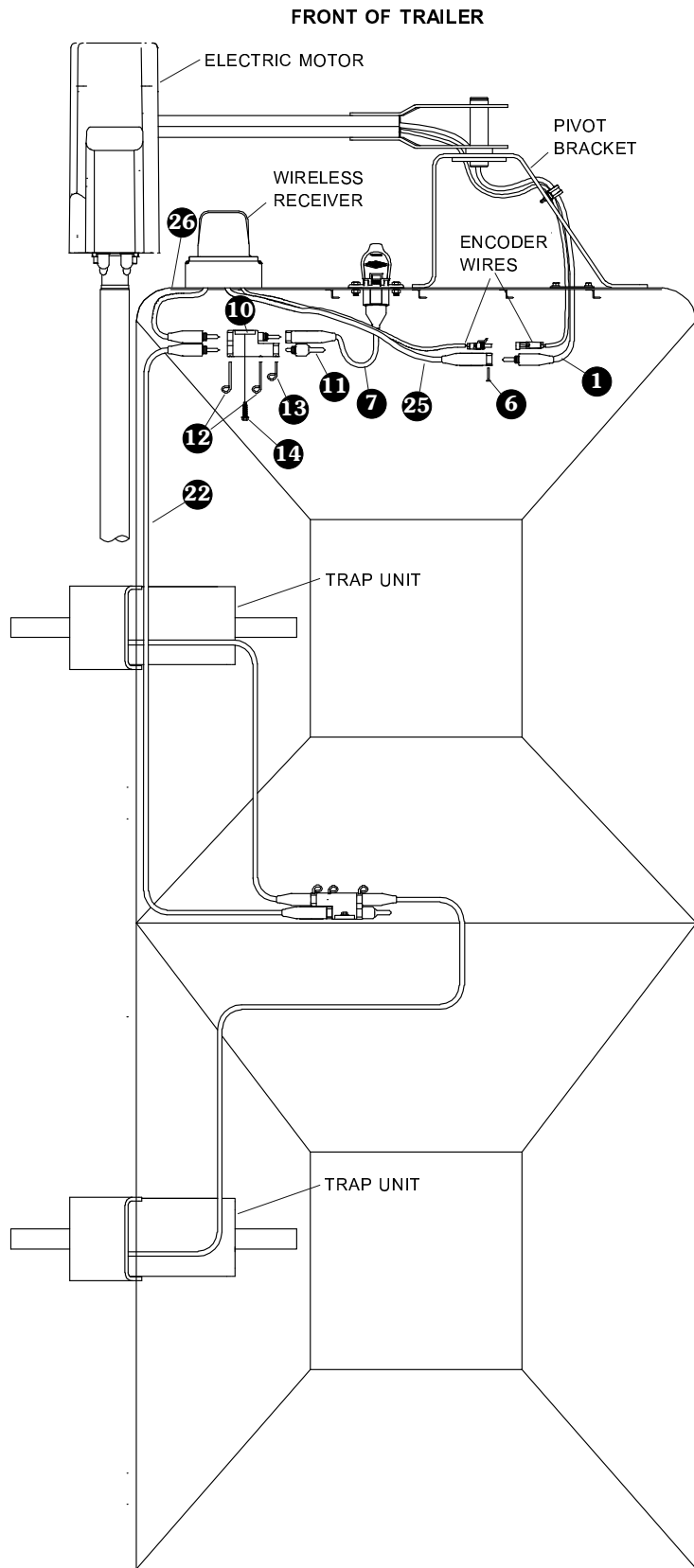
**STEP 1:** Measure 11" horizontally from center line of trailer and 1" down from lower edge of pivot bracket. Mark and drill 1 1/2" hole through trailer skin.



**STEP 2:** Align adapter plug with 1 1/2" hole. Using plug as guide, mark and drill two 7/32" holes as shown.

**STEP 3:** Fasten adapter plug to front of trailer with 1/4" x 3/4" cap screws, lock washers and nuts.





**NOTE:** Coat each connection with dielectric grease (P/N 1704378) to prevent corrosion.

**CAUTION**  
Do not fasten SMARTwire™ components to trailer through hopper walls.

**FRONT OF TRAILER**

- STEP 1:** Remove lock pin 13, unplug SMARTwire™ 7 from SMARTwire™ 22.
- STEP 2:** Plug SMARTwires 7, 22 and 26 into junction block 10. Fasten junction block 10 to trailer with screw 11. Replace lock pins 12, 13 and 14 into junction block.
- STEP 3:** Plug SMARTwire™ 25 into SMARTwire™ 1 and secure with lock pin 6. Connect encoder wire ends.
- STEP 4:** Secure wires to trailer with cable ties 21.

**NOTE:** Traps can be mounted on either side of trailer.





# MORE QUALITY PRODUCTS FROM SHUR-CO®

---

- **Genuine Replacement Tarps**
- **Genuine Replacement Parts**
  
- **Agriculture Products**
  - Value Series Shur-Lok®
  - Super Duty Shur-Lok®
  - Shur-Lok® Junior
  - Premium Belt 'n Ratchet
  - Cable-Lok™
  - Turning Point™ Bow
  
- **SMARTrailer™ Accessories for Agriculture Products**
  - SMART2™ Remote
  - SMART1 +™ Remote
  - 4500 Series HD Electric
  - AutoTrap™ Hopper Opener
  - ProTrap® Hopper Opener
  - LiteALL™ Work Lights
  - Cable-Lok™ Electric Upgrade
  - Electric Turning Point™ Bow
  - Value Series Electric
  - Solar Power Pack
  
- **Flatbed Products**
  - ShurTite™ Retractable Tarps
  - Stock Lumber & Steel Tarps
  - Steel Tarps
  
- **Custom Products**
  - Fitted Truck Covers
  - Flat Utility Tarps
  - Bean Drill Covers
  - Shur-Lok® Tarp Cords
  
- **Construction Products**
  - Super Duty Shur-Lok®
  - Shur-Trak II™
  - Cover-Pro II®
  - Turning Point™ Bow
  - IronSide™ Side-Dump System
  - Arm-Matic™
  - DuraPull™
  - Econo-Pull™
  - Turbo Tarp2 DONOVAN BRAND
  - 2000 Series DONOVAN BRAND
  - 5000 Series DONOVAN BRAND
  - Hammer DONOVAN BRAND
  - Bullet DONOVAN BRAND
  - Flash DONOVAN BRAND
  - Long Arm DONOVAN BRAND
  
- **SMARTrailer™ Accessories for Construction Products**
  - 4500 Series HD Electric w/Gate Flex™
  - Shur-Trak II™ Electric Upgrade
  - Cover-Pro II® Electric Upgrade
  - Electric Turning Point™ Bow
  - Solar Power Pack
  
- **Waste Products DONOVAN BRAND**
  - The Ox™
  - Quick-Flip III
  - Sidewinder
  - Sidewinder 350
  - HyTower SL
  - HyTower DL
  - Double-Flip

TARPING SYSTEMS & ACCESSORIES

