



TARPING SYSTEMS & ACCESSORIES

P/N 1124308 Rev. D

OWNER'S MANUAL



Sheeting System



READ BEFORE INSTALLING

UNIT 41 ROCHESTER AIRPORT EST. ■ LAKER RD.
ROCHESTER, KENT ME1 3QX ■ UK 56011 82718
PHONE +44 (0) 1795 473499 ■ FAX +44 (0) 871 272 8278

www.shurco.co.uk

SHIPPING. Orders are shipped F.O.B. from the Shur-Co[®], LLC sites listed below. No full freight is allowed or prepaid shipment accepted unless quoted and approved in writing prior to acceptance of the order. All shipments are made by the most reasonable means in accordance with size and weight of order, unless specified routing instructions are furnished by the customer. Shipments are made daily via courier. Claims for shortages must be made within 10 days. All claims for damages or loss in transit must be made with the carrier. No collect calls will be accepted. To ensure delivery of orders, we need your full street address and phone number. When you receive your shipment, examine it carefully. Be sure all cartons listed on the delivery sheet are accounted for. Large items may be packaged separately. If a carton is damaged, open it and inspect the contents before signing for delivery. If merchandise is damaged, describe damage on the delivery receipt. Failure on your part to document damaged or missing merchandise on the delivery receipt releases the carrier of all liability; repair or replacement will be the customer's responsibility.

WARRANTY. We warrant all new products are free of defects in materials and workmanship.* This warranty is effective if products are properly installed and used for the purpose for which they were intended and applies to the original buyer only. Except as set forth above or in any product-specific warranty documentation, we make no other warranties, express or implied, including but not limited to warranties of merchantability or fitness for a particular use.

Returns of a product for warranty must be accompanied by a Return Merchandise Authorization number (RMA#), obtained by calling UK Customer Service at 01795 473499, and sent, with freight paid by us, to Shur-Co[®] UK Ltd., Donovan House, Unit 41, Rochester Airport Estate, Rochester, Kent ME1 3QX. All products returned without an RMA# will be refused. When we issue the RMA#, we will also issue a call tag to have UPS (or other freight company) pick up the product. C.O.D. returns not accepted. We will pay no storage fees for a warranty product return prior to pick by us or the freight company. If a warranty product return is scheduled to be picked up by us, we will pick up the product at our earliest convenience.

If a product returned is found, in our judgement, to be defective in material or workmanship, our obligation under this warranty is limited to the repair or replacement of the product, which will be made by us. Repair or replacement will be at our discretion, with replacements being made using current products performing in the equivalent function. Labor charges, other than those incurred at our factory, including, but not limited to, any labor to install a repaired or replacement product, are not covered under this warranty. All expenses associated with delivering defective products to our factory and delivering repaired or replacement products from our factory to the owner will be paid by us.

If the product returned is found, in our judgement, to be non-warrantable, the owner will be contacted to authorize repair work, purchase of a replacement product or return of the product, all of which will be at the owner's expense. Payment authorization must be received by us before any non-warrantable product is repaired, replaced or returned. All expenses associated with delivering the repaired non-warrantable product, a replacement product or the non-warrantable product from our factory to the owner will be paid by the owner.

In no event will we be liable for any damages of any kind to person, product or property, including but not limited to indirect, incidental, special, consequential or punitive damages, or damages for loss of profits or revenue, even if we have been advised of the possibility of such damages. There are no warranties for used products or products that have been repaired, altered, modified or subjected to misuse, negligence or accident. We will not repair or replace products that fail or malfunction due to ordinary wear and tear, except as expressly noted in a product-specific warranty. Use of non-Shur-Co[®], LLC parts in conjunction with Shur-Co[®], LLC products will void this product warranty.

*Certain products have specific warranties that differ from this warranty, for example motors and electronics. Product-specific warranty documentation is available for these items. In the event of a conflict between this warranty and a product-specific warranty, the product-specific warranty will govern.

RETURN POLICY. All sales final. See WARRANTY above for return details.

OTHER. All prices, product listings, sizes, weights and manufacturing details are subject to change without notice. No person is authorized to modify the foregoing conditions of sale whatsoever.

SHUR-CO[®], LLC SERVICE AND DISTRIBUTION CENTERS

Corporate HQ and Outlet Store

SHUR-CO[®] of SOUTH DAKOTA

2309 Shur-Lok St., PO Box 713
Yankton, SD 57078-0713
Ph 800.474.8756 | Fax 605.665.0501

ShurTite[™] Service Centers

SHUR-CO[®] of CANADA

490 Elgin St., Unit #1
Brantford, Ontario N3S 7P8
Ph 800.265.0823 | Fax 519.751.3997

SHUR-CO[®] of SIOUX FALLS

47184 258th St., Suite B
Sioux Falls, SD 57107
Ph 844.573.9322 | Fax 605.543.5469

SHUR-CO[®] of ILLINOIS

Ph 866.356.0246 | Fax 217.877.8270

SHUR-CO[®] of OHIO

Ph 866.356.0242 | Fax 330.297.5599

SHUR-CO[®] of COLORADO

10220 Brighton Rd., Unit #1
Henderson, CO 80640
Ph 866.355.9173 | Fax 303.289.2298

SHUR-CO[®] of FLORIDA

3353 SE Gran Park Way
Stuart, FL 34997
Ph 800.327.8287 | Fax 772.287.0431

SHUR-CO[®] of ILLINOIS

3993 E. Mueller Ave.
Decatur, IL 62526
Ph 866.356.0246 | Fax 217.877.8270

SHUR-CO[®] of IOWA

3839 Midway Blvd.
Ft. Dodge, IA 50501
Ph 866.356.0245 | Fax 515.576.5578

SHUR-CO[®] of MICHIGAN

5100 Lakeshore Dr.
Lexington, MI 48450
Ph 800.327.8287 | Fax 772.287.0431

SHUR-CO[®] of NORTH DAKOTA

1746 4th Ave. NW
West Fargo, ND 58078
Ph 877.868.4488 | Fax 701.277.1283

SHUR-CO[®] of OHIO

1100 N. Freedom, St. Rt. 88 & 14
Ravenna, OH 44266
Ph 866.356.0242 | Fax 330.297.5599

SHUR-CO[®] of TEXAS

34505 I-10 West, S. Frontage Rd.
Brookshire, TX 77423
Ph 866.689.0039 | Fax 281.934.3311

SHUR-CO[®] UK, Ltd.


Unit 41 Rochester Airport Estates
Laker Rd., Rochester, Kent ME1 3QX
Ph +44 (0)1795.473499
Fax +44 (0)871.272.8278

For more info, log on to our website:

www.shurco.com

MESSAGE TO OWNERS

Thank you for buying this sheeting system from Shur-Co® We appreciate your confidence in our products. Please read and thoroughly understand this manual before installing and/or operating this system.

Pay particular attention to important safety and operating instructions, as well as warnings and cautions. The hazard symbol  is used to alert users to potentially hazardous conditions and is followed by caution, warning or danger messages.

Failure to READ AND FOLLOW INSTRUCTIONS could result in failure of your system and/or personal injury. Your trailer requirements may, however, call for minor variations to these instructions.

Please inspect your sheeting system periodically; repair or replace worn or damaged parts.

QUESTIONS? CALL OUR HELP LINE:

+44 (0) 1795 473499

MON-FRI 8 AM-5 PM CENTRAL TIME

SAFETY

We at Shur-Co® are concerned with your safety and the safety of all those operating this system. Therefore, we have provided safety decals at various locations on your sheeting system. Keep decals as clean as possible at all times. Replace any decal that has become worn or damaged, painted over or otherwise difficult to read. Replacement decals are available through Shur-Co® dealers.

SAFETY INSTRUCTIONS

- 1. Always wear safety glasses during installation.**
- 2. Keep body and clothing clear of moving parts.**
- 3. Use only OSHA-approved ladders or scaffolding during installation process.**
- 4. No other use of this system is authorized, except as designed.**

RUST PREVENTION

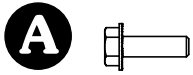
To prevent rust, paint all exposed metal, such as weld seams and/or metal exposed by grinding or cutting, with corrosion-resistant paint.

TABLE OF CONTENTS

- Hardware Identification/Box Preparation 1
- Sheet Installation 2-3
- Center Pole Drive Motor 4
- Web Spool & Drive Motor 5-8
- SMART1+™ Wireless Receiver 9-13
- System Setup 14-16
- Replacement Parts 17-20

TOOLS REQUIRED

- 1. Aluminum Welder
- 2. #3 Phillips Insert Bit or #3 Phillips Screwdriver
- 3. Band Saw or Hack Saw
- 4. Torque Wrench
- 5. Socket Wrench
- 6. 17mm Socket
- 7. 17mm Combination Wrench
- 8. 8mm Socket or Nut Driver
- 9. 1/2" Socket
- 10. 19mm Socket
- 11. 19mm Combination Wrench
- 12. Tape Measure
- 13. Pencil
- 14. Electric Drill
- 15. 8mm Drill Bit (for 3/8" self-tapping screws)
- 16. 10mm Drill Bit (for 3/8" cap screws)
- 17. Air or Electric Wrench w/9/16" Socket
- 18. 9/16" Combination Wrench
- 19. 9/16" Socket
- 20. 5mm Drill Bit
- 21. 1/2" Combination Wrench
- 22. #2 Phillips Screw Driver
- 23. 3/8" Hex Driver
- 24. Wire Crimp Tool
- 25. 13mm Socket
- 26. 10mm Socket
- Optional: Hot Knife, Spray Paint, Caulk or Rubber Sealant



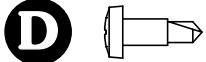
1705376 - Flanged Cap Screw - M5 x 16



1705353 - Machine Screw - M6 x 10



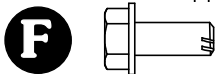
1705371 - Cap Screw - M5 x 12



1700398 - Self-Drilling Screw - 1/4" x 3/4"



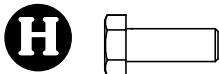
1704338 - Self-Tapping Screw - 1/4" x 1"



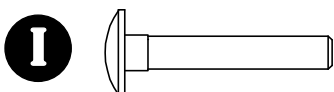
1705378 - Self-Tapping Screw - 5/16" x 3/4"



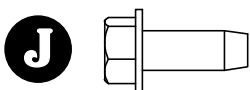
1705551 - Flanged Cap Screw - M6 x 16



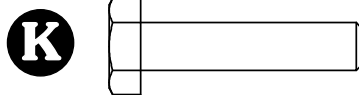
1702926 - Cap Screw - 5/16" x 7/8"



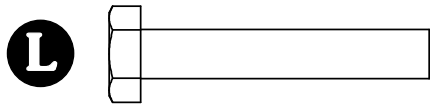
1705550 - Carriage Bolt - M8 x .50



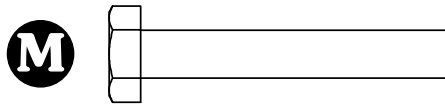
1700400 - Self-Tapping Screw - 3/8" x 1"



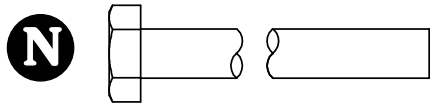
1705357 - Cap Screw - M10 x 1.5 x 45 - CL10



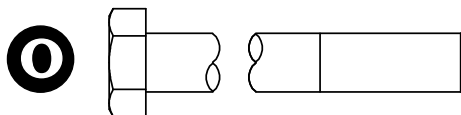
1705556 - Cap Screw - M10 x 1.5 x 65



1705370 - Cap Screw - M10 x 1.5 x 60 - CL10



1705355 - Cap Screw - M10 x 1.5 x 150



1705461 - Cap Screw - M12 x 1.75 x 130



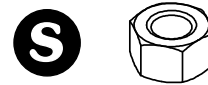
1705349 - Nylon Lock Nut - M8 x 1.25



1704931 - Flanged Nylon Lock Nut - 5/16"



1700419 - Nylon Lock Nut - 5/16"



1700407 - Hex Nut - 3/8"



1705555 - Nylon Lock Nut - M10 x 1.5



1705361 - Nylon Lock Nut - M10 x 1.5 - CL10



1705373 - Nylon Lock Nut - M12 x 1.75



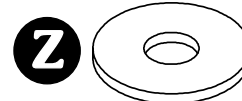
1700434 - Lock Washer - 3/8"



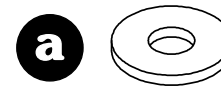
1700428 - Flat Washer - 5/16"



1705350 - Lock Washer - M10



1705347 - Fender Washer - 10.5 x 30



1701176 - Flat Washer - 3/8"

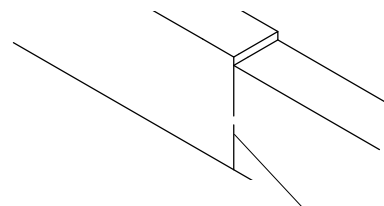
SHEET INSPECTION

Measure sheet. Determine sheet length and width with slight tension applied. Compare with length and width stated on paper attached to sheet. If sheet length and width do not match what is on paper, do not proceed. Call your local dealer or call Shur-Co® Customer Service at +44 (0) 1795 473499.

BOX PREPARATION

Prepare body before installing ShurCover sheeting system. Remove or grind any sharp edges smooth to prevent sheet damage.

To prevent rust, paint all exposed metal, such as weld seams and/or metal exposed by grinding or cutting, with corrosion-resistant paint.

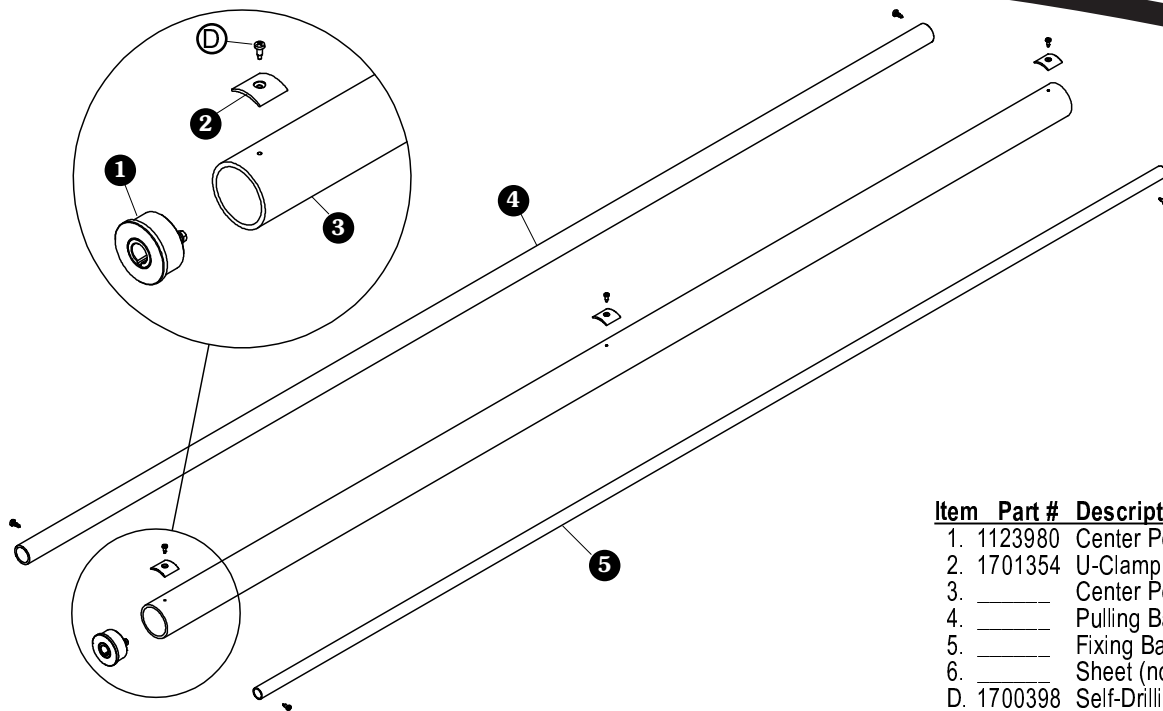


REMOVE SHARP EDGES ON TOP RAIL - PAINT ALL EXPOSED METAL



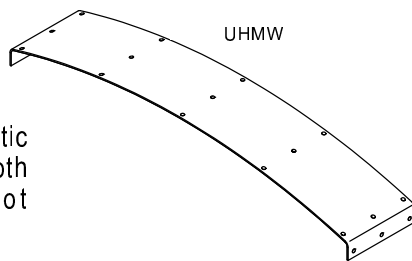
CAUTION

Box extensions (tip tops), if used, must be secured to truck box. System could blow off if box extensions are not secured to box.

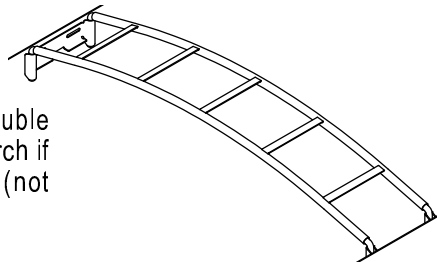


Item	Part #	Description
1.	1123980	Center Pole Plug - UK
2.	1701354	U-Clamp
3.	_____	Center Pole
4.	_____	Pulling Bar
5.	_____	Fixing Bar
6.	_____	Sheet (not shown)
D.	1700398	Self-Drilling Screw - 1/4" x 3/4"

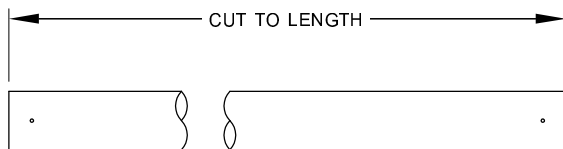
STEP 1: Install plastic sheet to both hoods (not supplied).



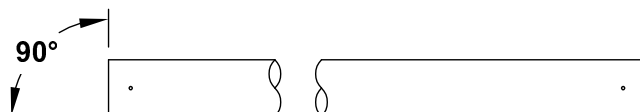
STEP 2: Install double support arch if required (not supplied).



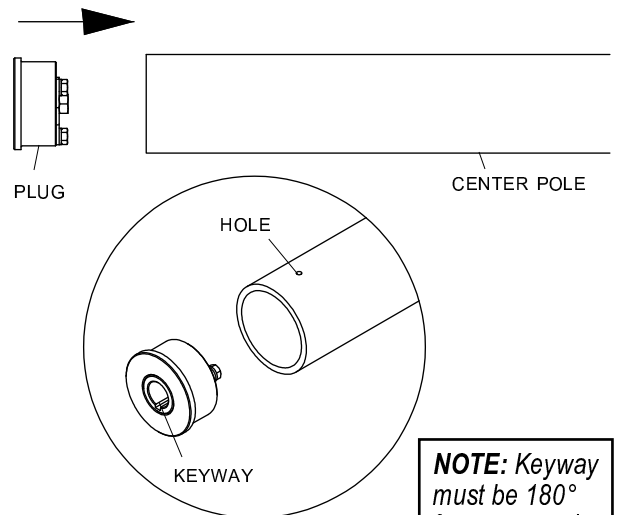
STEP 3: Cut center pole, pull bar and fixing bar to length. Add holes per print.



STEP 4: Verify ends of center pole are cut at 90°.

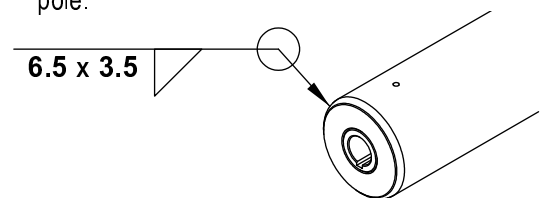


STEP 5: Insert center pole plug assembly into center pole. Make sure face of assembly is square to center pole.

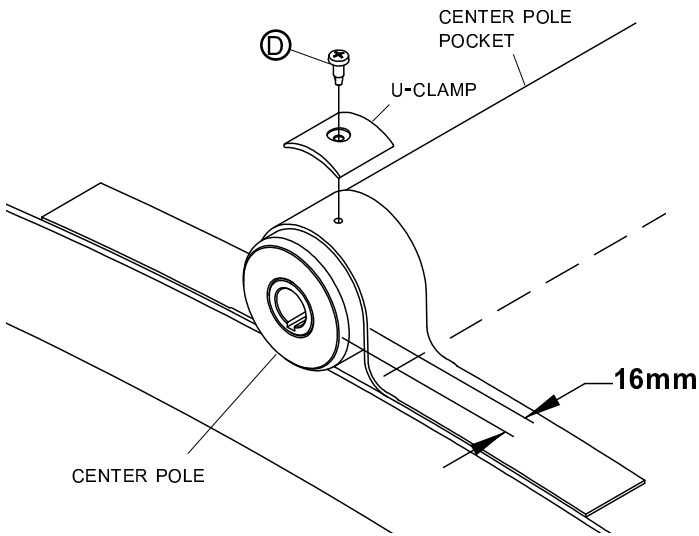


NOTE: Keyway must be 180° from 5mm hole.

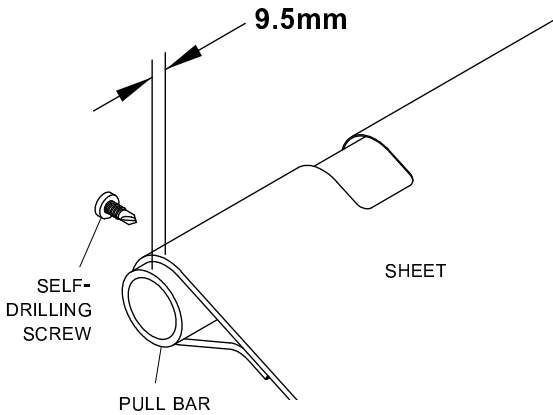
STEP 6: Weld center pole plug assembly onto end of center pole.



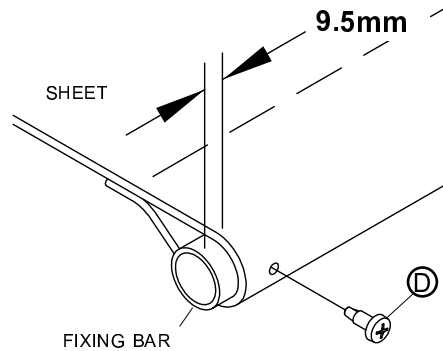
STEP 7: Insert center pole into center pole pocket on sheet. Align hole in center pole with hole in sheet and secure sheet to pole with U-clamp and screw **D**. Pull sheet tight and repeat on other end of pole. Install third U-clamp and screw at center of center pole.



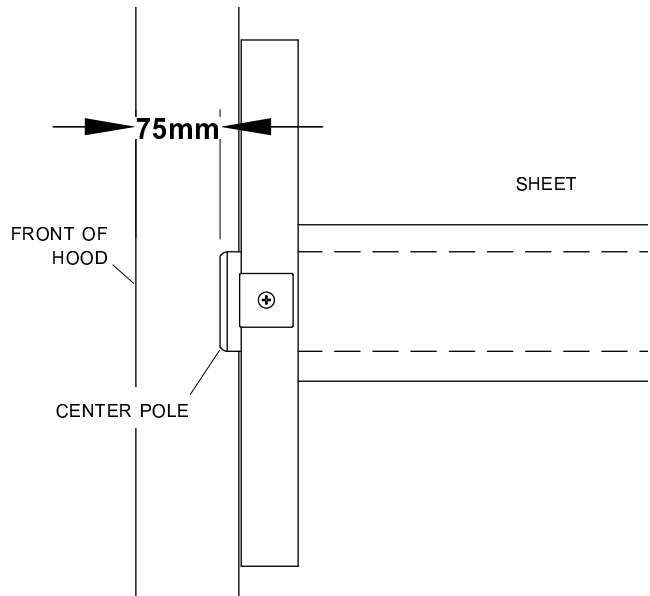
STEP 8: Fasten pull bar to sheet with self-drilling screw. Align hole in sheet with hole in bar and secure. Pull sheet tight and repeat on other end.



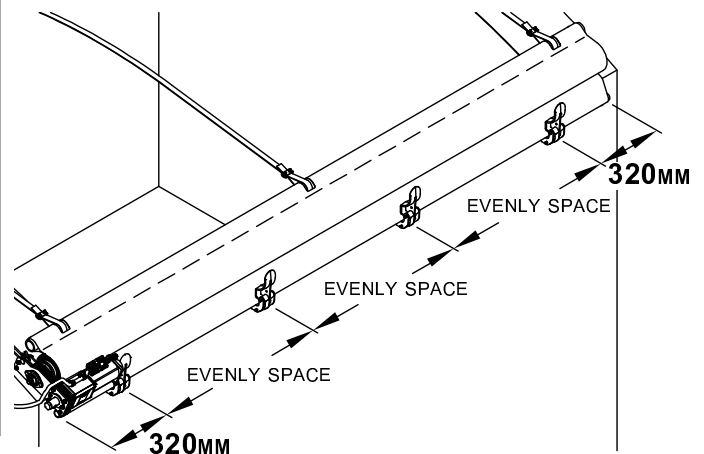
STEP 9: Repeat step 7 for fixing bar.

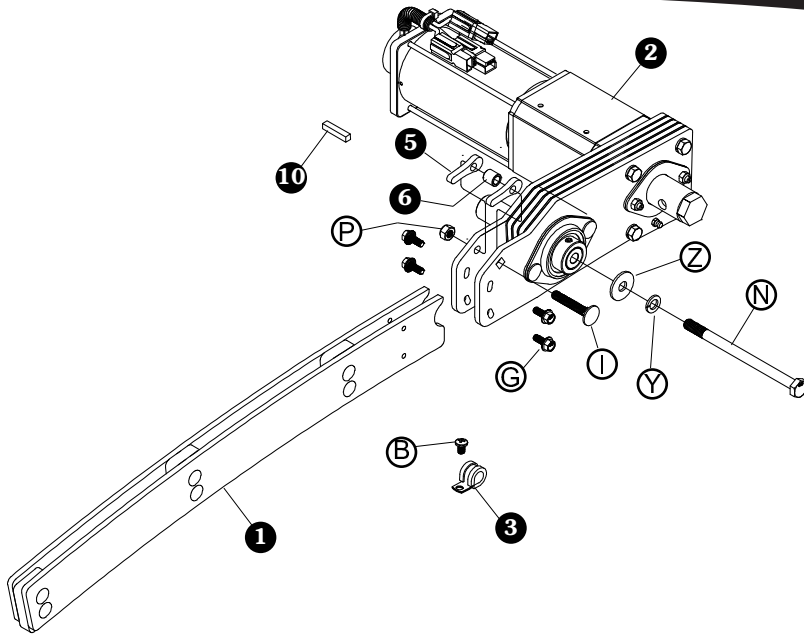


STEP 10: Place sheet on top of box with fixing bar hanging over right side of box. Move sheet forward or backward until center pole insert plug is 75mm from front face of hood.



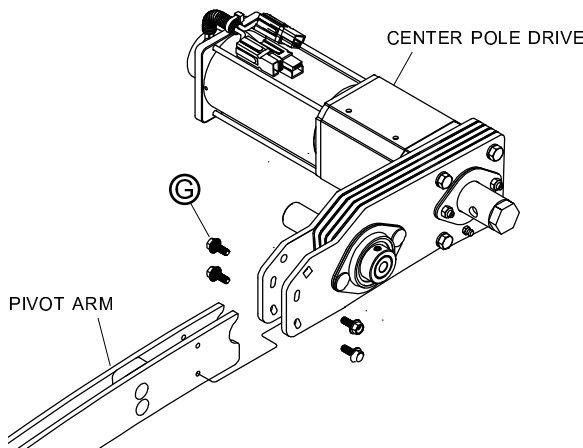
STEP 11: Secure fixing bar to box using preferred method. If using sheet stops, mount first and last sheet stops 320mm from edge of sheet. Equally space remaining sheet stops.



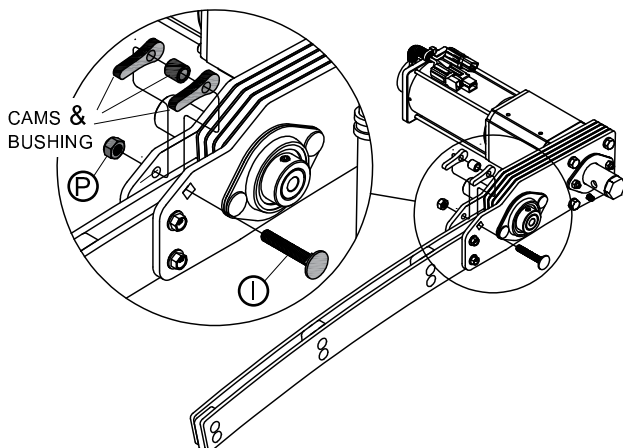


Item	Part #	Description
1.	1124987	Center Pole Pivot Arm Assembly - High Rise
	1124981	Center Pole Pivot Arm Assembly - Low Rise
2.	1124968	Center Pole Drive w/Motor
	1124978	Center Pole Drive w/Motor - Reverse Roll
3.	1705344	Wire Clip - 1/2"
4.	1124985	Center Pole Cam
5.	1124982	Bushing - 1/2" x .334" x 1/2"
6.	1123996	Key Stock - 1 1/4"
B.	1705353	Machine Screw - M6 x 10
G.	1705551	Flanged Cap Screw - M6 x 16
I.	1705550	Carriage Bolt - M8 x 1.25 x .50
N.	1705355	Cap Screw - M10 x 1.5 x 150
P.	1705349	Nylon Lock Nut - M8 x 1.25
Y.	1705350	Lock Washer - M10
Z.	1705347	Fender Washer - 10.5mm x 30mm

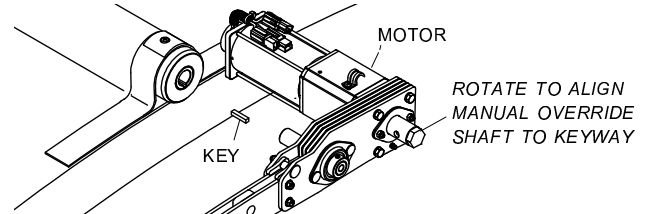
STEP 1: Align holes in pivot arm with holes in center pole drive and fasten loosely with screws **G**.



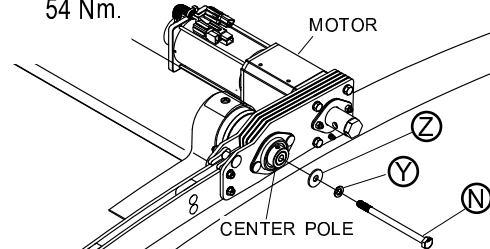
STEP 2: Loosely fasten bushing and cams to center pole drive with carriage bolt **I** and lock nut **P**.



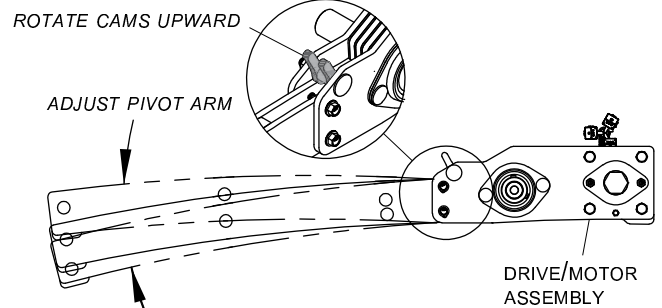
STEP 3: Install center pole drive motor. Insert key stock into center pole plug keyway. Align keyway on drive shaft by turning manual override shaft clockwise or counterclockwise and insert shaft into center pole plug.

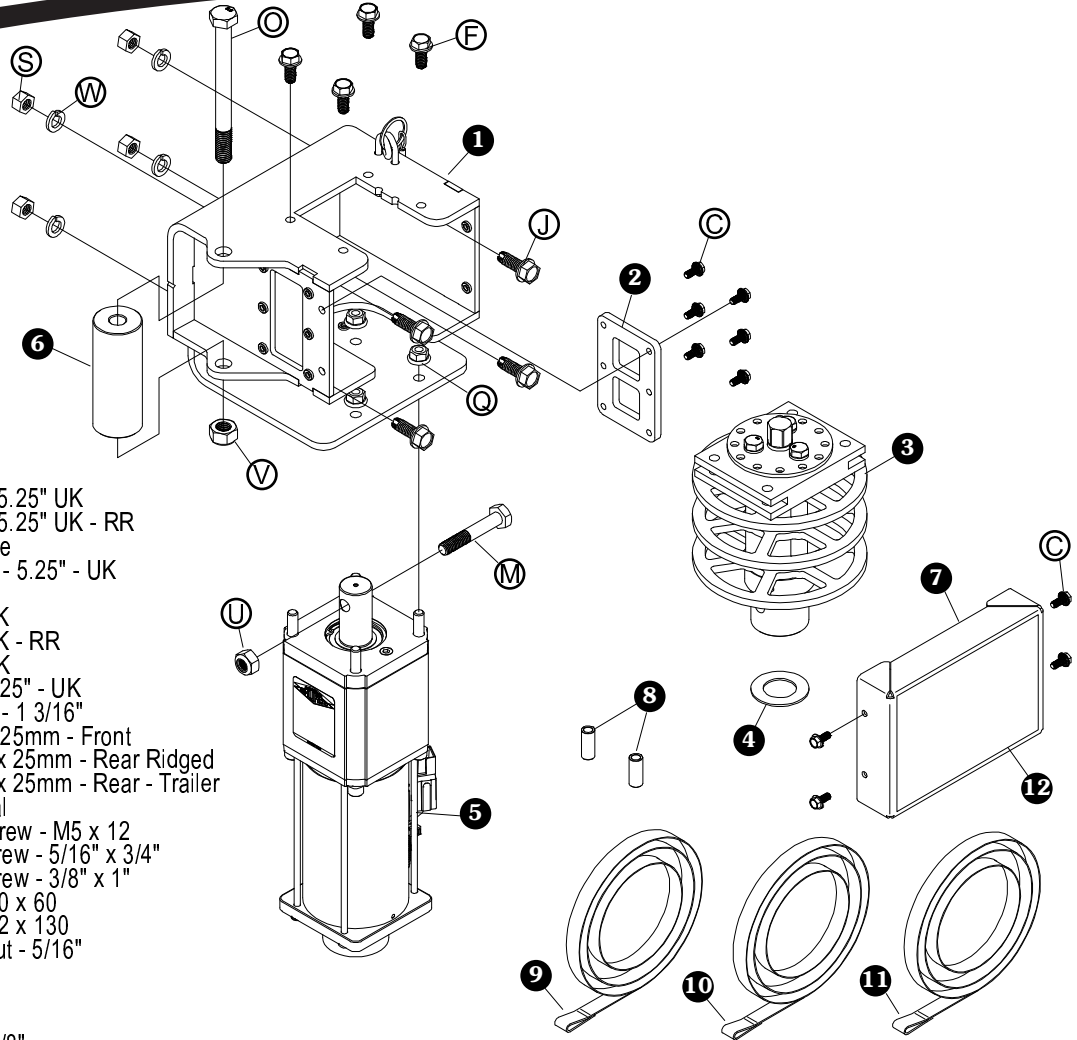


STEP 4: Secure drive motor to center pole with fender washer **Z**, lock washer **Y** and cap screw **N**. Torque bolt to 54 Nm.



STEP 5: To adjust pivot arm and drive/motor assembly to be in contact with hood, rotate cams upward until tight. Tighten all fasteners securely.

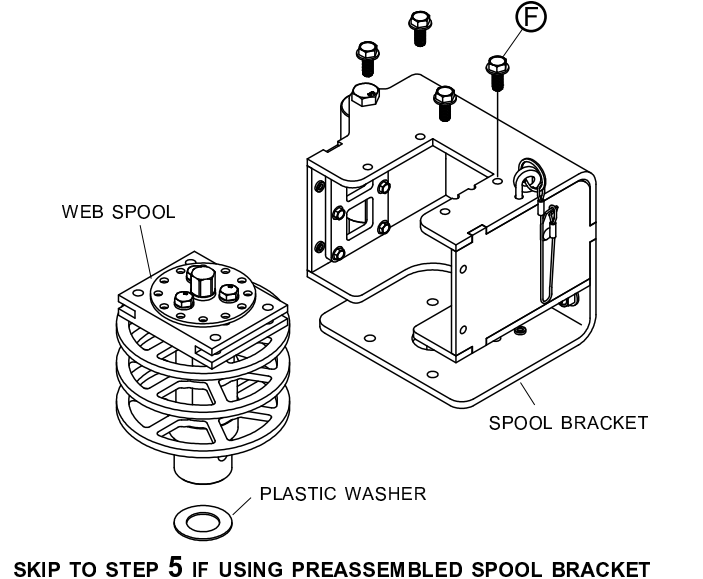
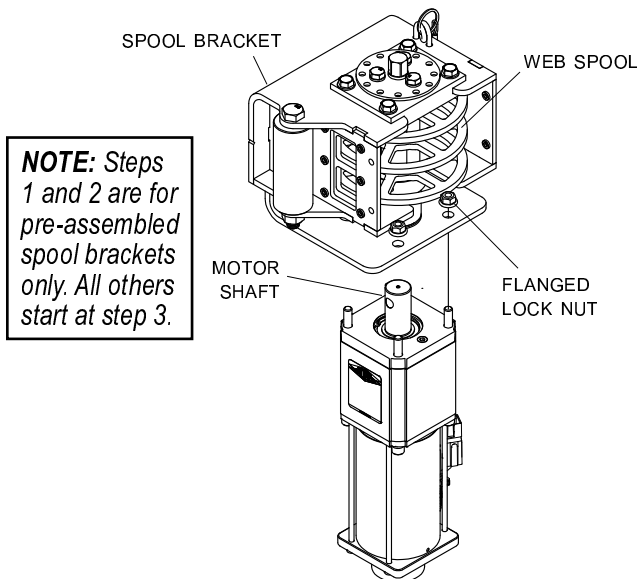






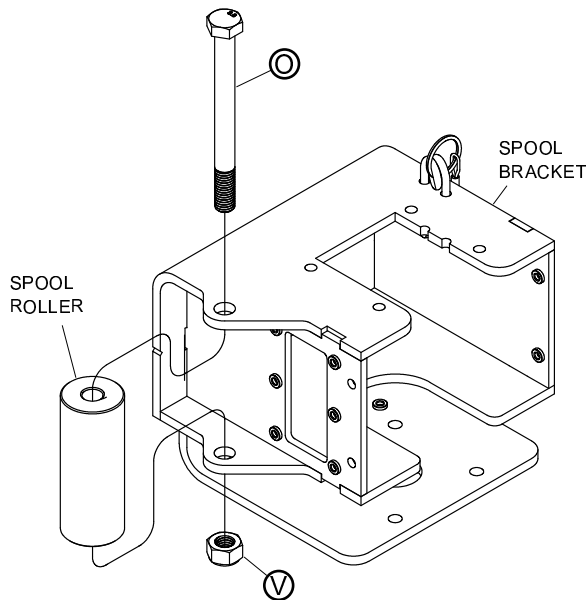
Item	Part #	Description
1.	1124434	Spool Bracket - 5.25" UK
	1124805	Spool Bracket - 5.25" UK - RR
2.	1705381	Spool Web Guide
3.	1123999	Spool Assembly - 5.25" - UK
4.	1120679	Motor Spacer
5.	1705252	Spool Motor - UK
	1705453	Spool Motor - UK - RR
6.	1705460	Spool Roller - UK
7.	1124436	Spool Cover - 5.25" - UK
8.	1124043	Bushing Spacer - 1 3/16"
9.	1805587	Webbing - 6m x 25mm - Front
10.	1805588	Webbing - 12m x 25mm - Rear Ridged
11.	1805589	Webbing - 18m x 25mm - Rear - Trailer
12.	1705581	ShurCover Decal
C.	1705371	Flanged Cap Screw - M5 x 12
F.	1705378	Self-Tapping Screw - 5/16" x 3/4"
J.	1700400	Self-Tapping Screw - 3/8" x 1"
M.	1705370	Cap Screw - M10 x 60
O.	1705461	Cap Screw - M12 x 130
Q.	1704931	Flanged Lock Nut - 5/16"
S.	1700407	Hex Nut - 3/8"
U.	1705361	Lock Nut - M10
V.	1705373	Lock Nut - M12
W.	1700434	Lock Washer - 3/8"


STEP 1: Remove motor assembly from spool bracket pre-assembly by removing four 5/16" flanged lock nuts.

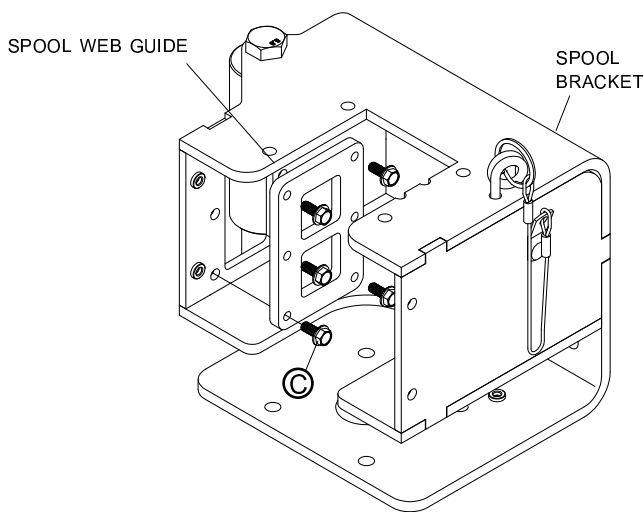
STEP 2: Remove web spool and plastic washer from spool bracket pre-assembly by removing four screws **F**.



STEP 3: Fasten spool roller to spool bracket with M12 cap screw  and lock nut .



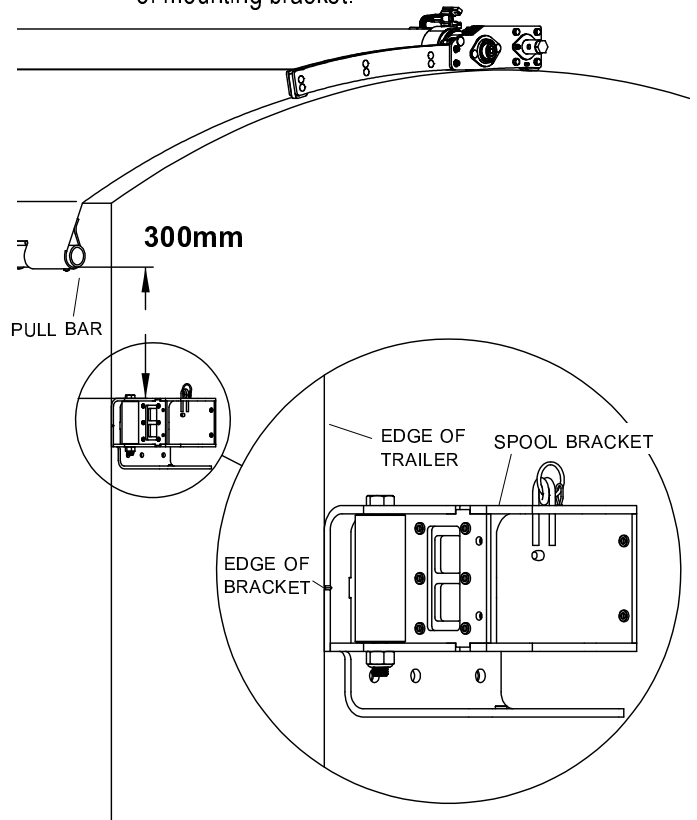
STEP 4: Fasten spool web guide to spool bracket with six screws .



STEP 5: Determine location for spool bracket on front of box.

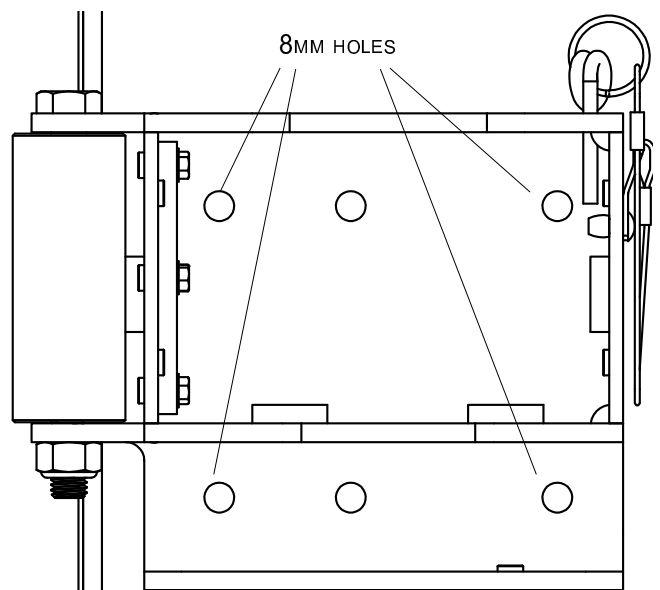
NOTE: Custom bracket may be required for boxes with radius and diagonal corners.

STEP 5A: Align edge of bracket flush with side of trailer or edge of mounting bracket.



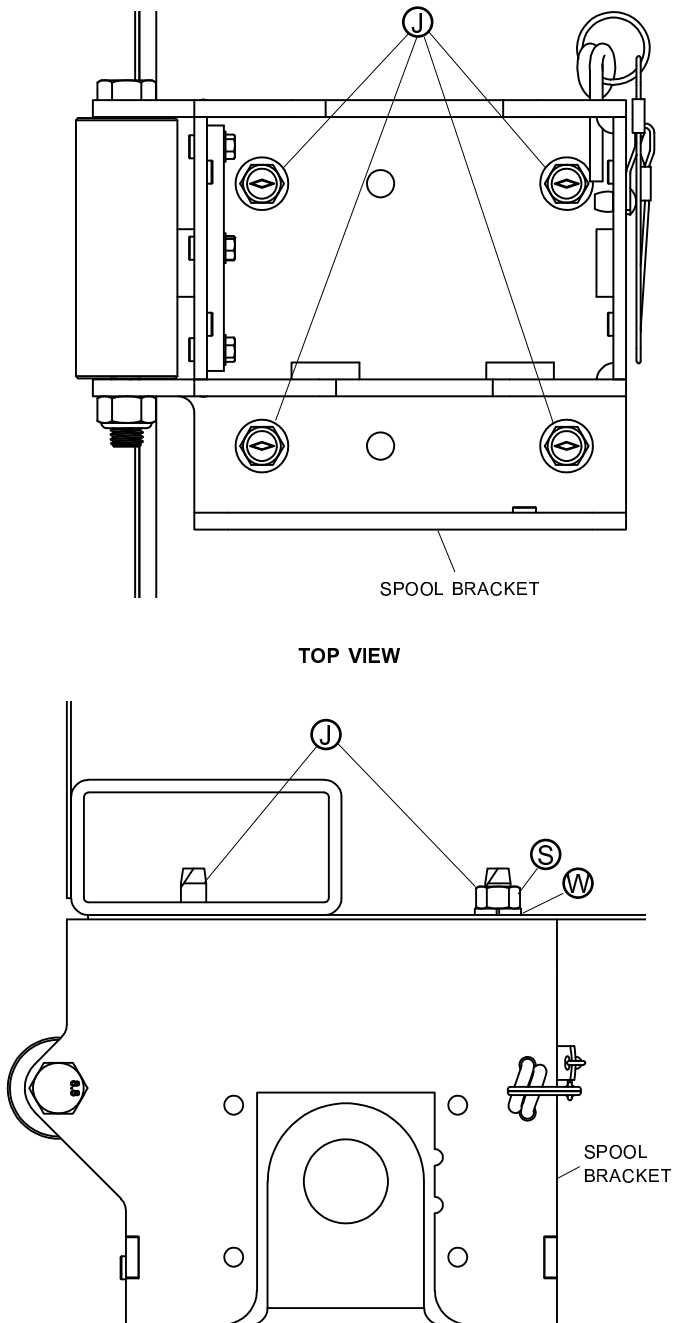
STEP 5B: Position top of bracket approximately 300mm below installed pull bar when in closed position.

STEP 5C: Mark and drill 8mm holes in (minimum) 4 locations.

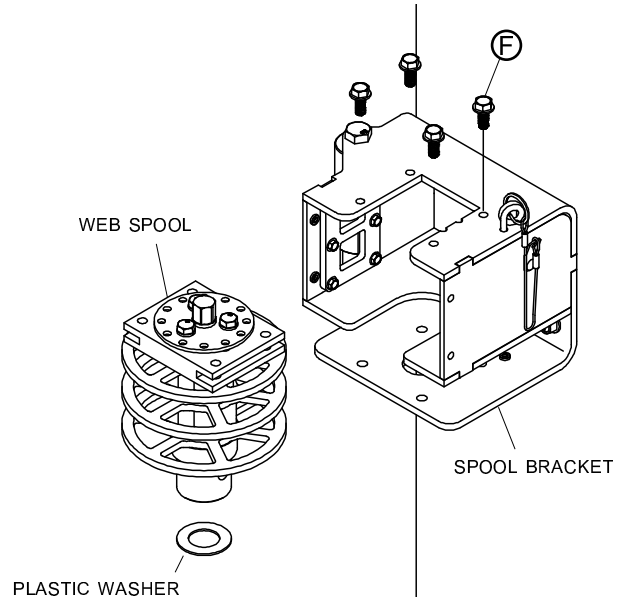


STEP 5D: Secure spool bracket to trailer with impact wrench and four self-tapping screws **J**.

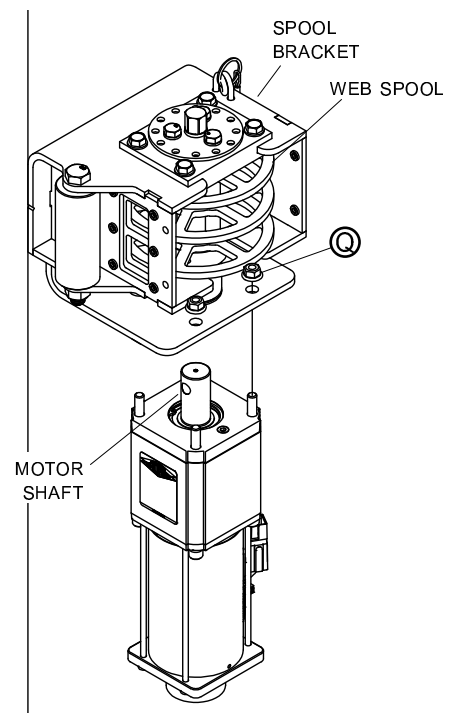
NOTE: Use lock washers and nuts if possible. Minimum wall thickness of 4.75mm is required when using self-tapping screws **J** without lock washers **W** and nuts **S**.



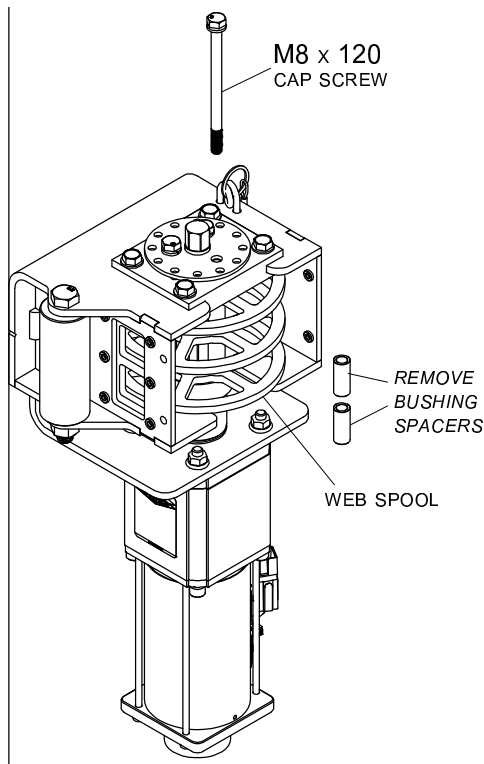
STEP 6: Install web spool and plastic washer into spool bracket. Secure with impact wrench and screws **F**.



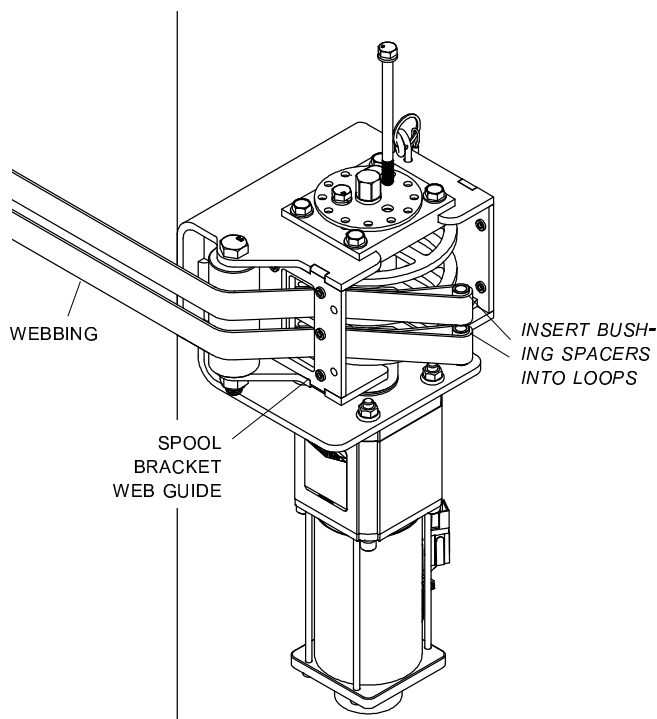
STEP 7: Insert motor shaft through plastic washer and hole in spool bracket. Secure with four 5/16" flanged lock nuts **Q**.



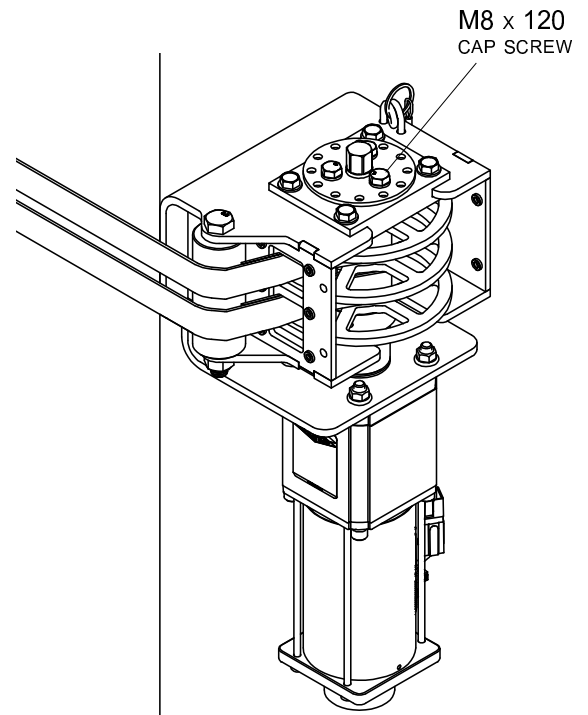
STEP 8: Rotate web spool so M8 x 120 screw is facing forward. Remove screw and loosen other two screws so two bushing spacers can be removed.



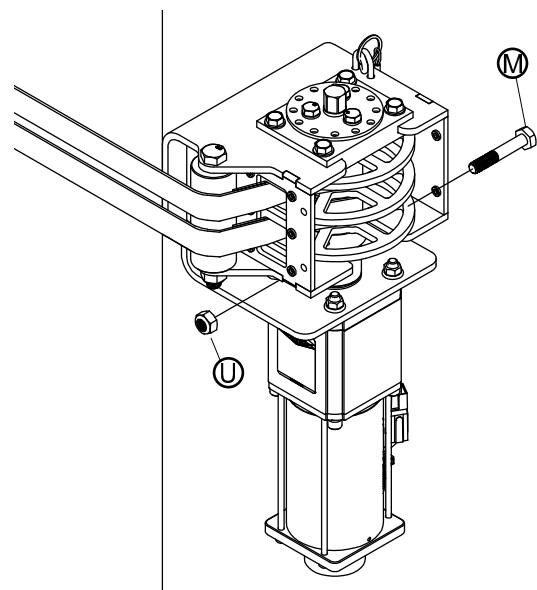
STEP 9: Route webbing through spool bracket web guide and insert bushing spacers into loops.

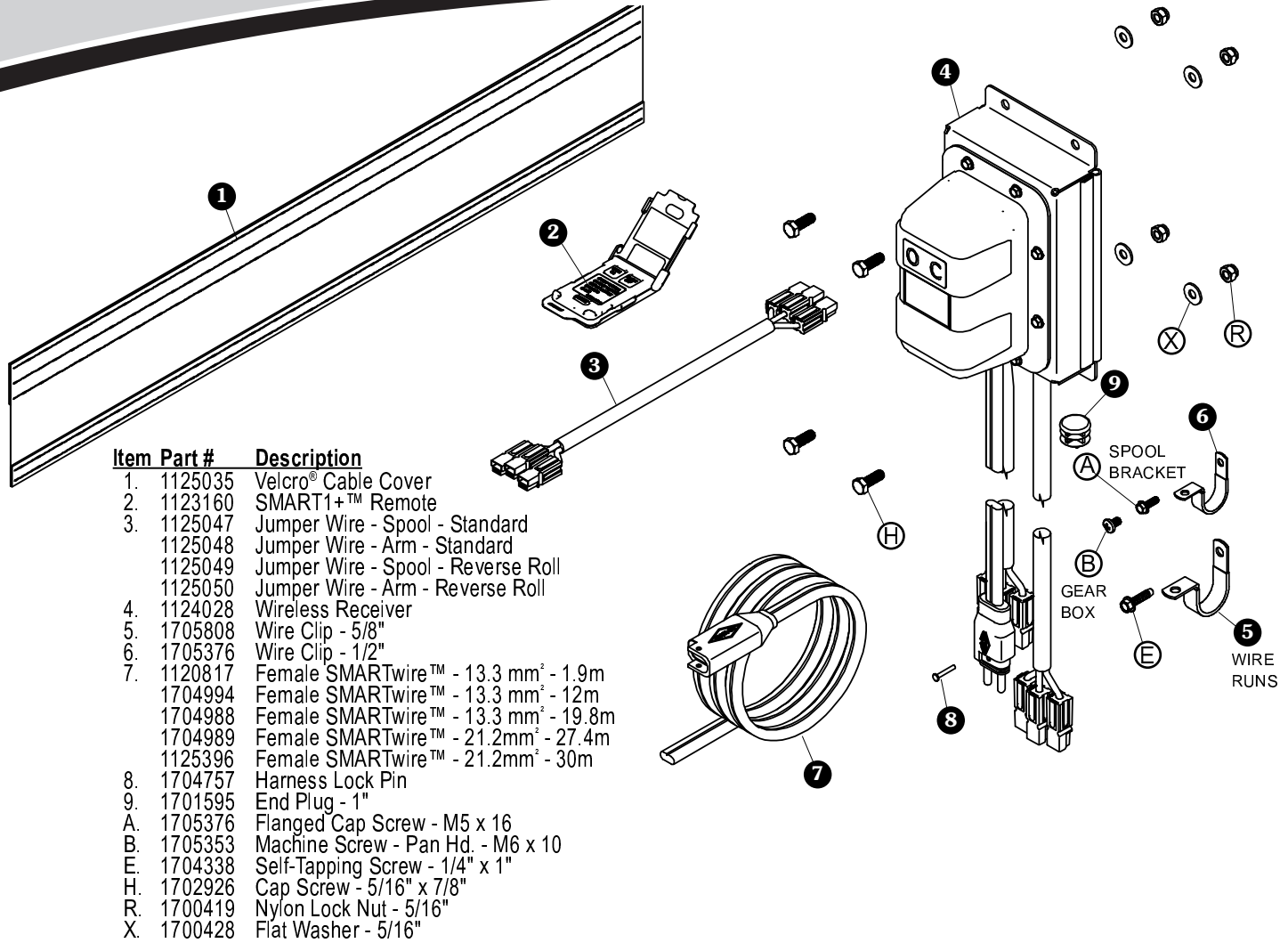


STEP 10: Push webbing and spacers back into spool and secure with M8 x 120 cap screw and lock washer. Tighten screws.



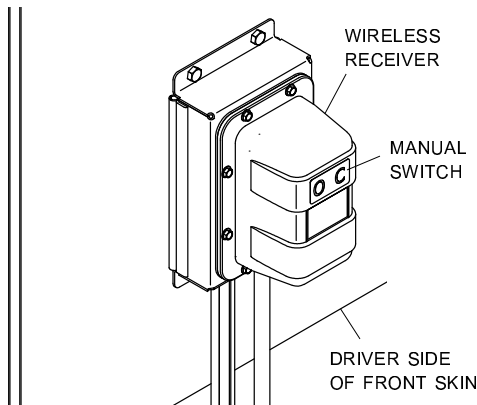
STEP 11: Rotate web spool until yellow screw **U** can be installed into holes on bottom of spool. Install screw and secure with nut **M**.





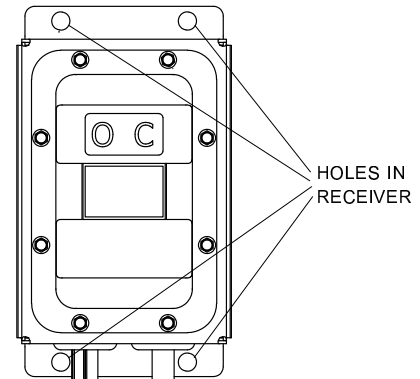
Follow these steps if wiring wireless receiver onto front skin of trailer. Skip to step 10 if wiring behind skin of trailer.

STEP 1: Determine mounting location for wireless receiver bracket. Bracket has manual switch and should be located where easily accessible and safe to operate sheet, (typically on driver side of front skin, where it can be reached without climbing on trailer).

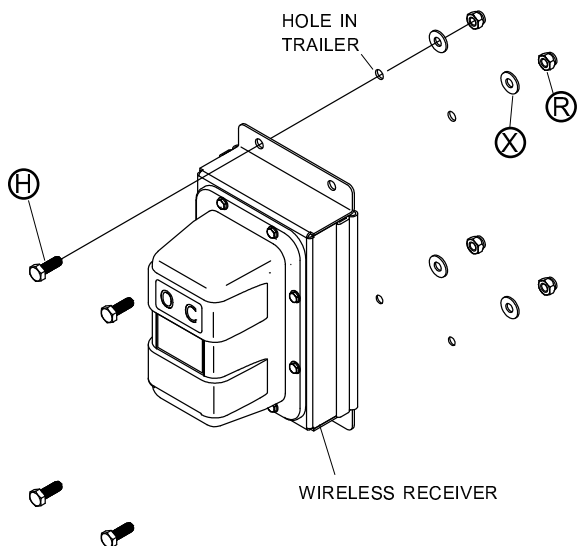


Verify wire lengths before drilling holes. Dual-conductor red (+) and black (-) wire must reach 24V DC power supply. Two marked 3-conductor wires must reach junction boxes on spool motor or center pole drive motor. Observe full motion of center pole motor and supply enough wire for motor to reach fully open and closed sheet positions.

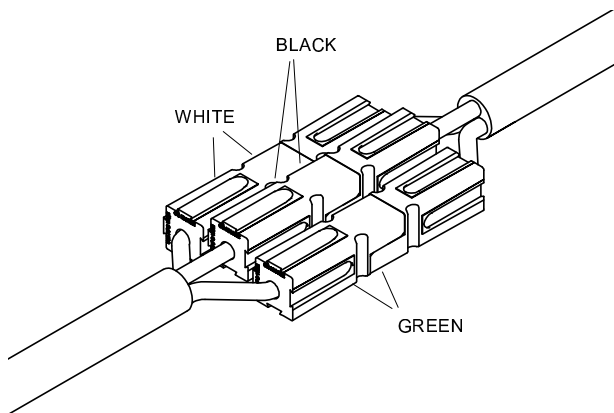
STEP 2: Using holes on receiver as guide, mark and drill four 5mm holes.



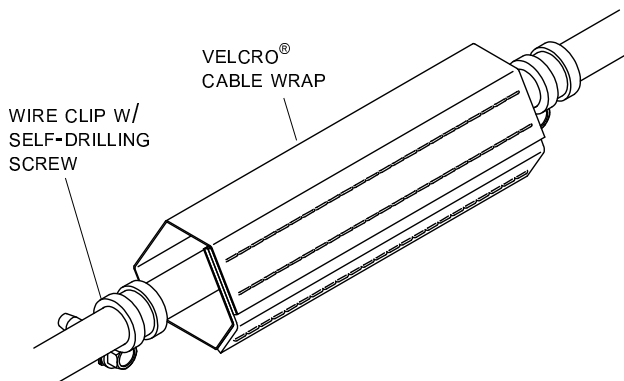
STEP 3: Align holes on wireless receiver with holes on trailer. Fasten with screws **(H)**, washers **(X)** and nuts **(R)**.



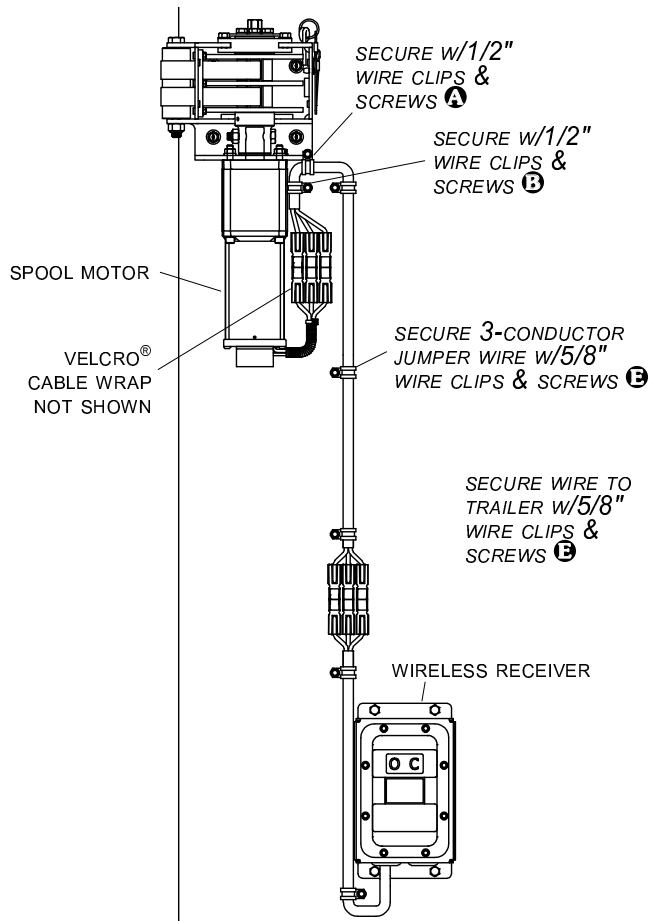
STEP 4: Connect jumper wire between wireless receiver wire mandrel spool and wire connected to spool motor. Connect wire ends to matching colored wire ends.



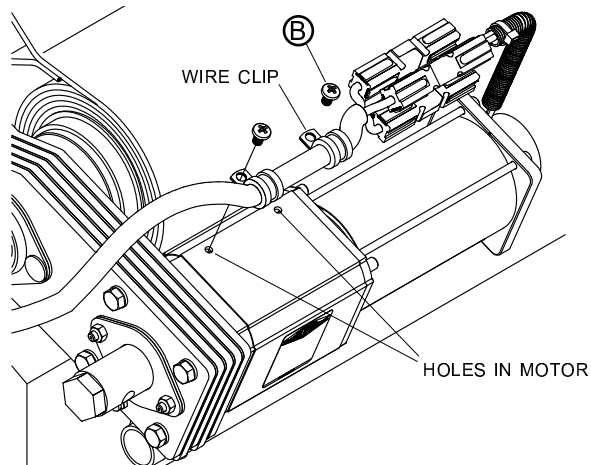
STEP 5: Cut Velcro® cable wrap into six 6" pieces. Wrap around wire connections. Secure wire with wire clips.



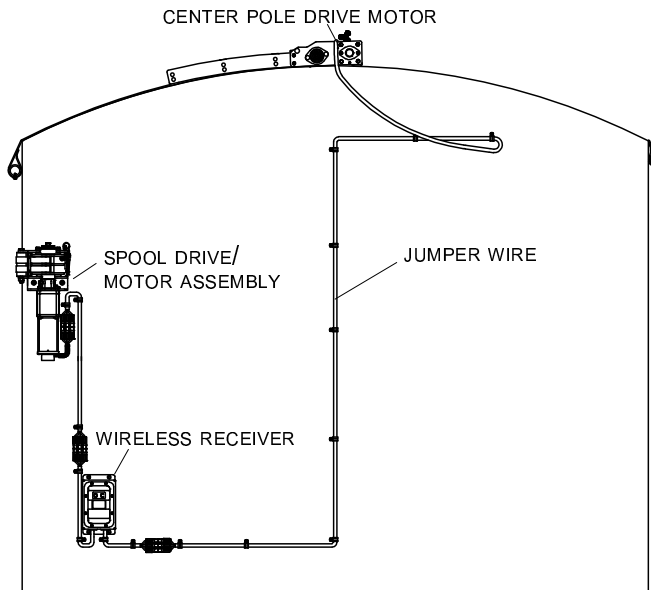
STEP 6: Route connected wires from spool motor to wireless receiver. Secure wire to bottom of spool bracket with 5/8" wire clip and screw **(B)**. Secure to gear box with 1/2" wire clip and screw **(B)**. Secure wire to trailer with 5/8" wire clips and self-drilling screws **(B)**.



STEP 6A: Secure wire to motor with 1/2" wire clips and screws **(B)**, fastening through existing holes in motor assembly.

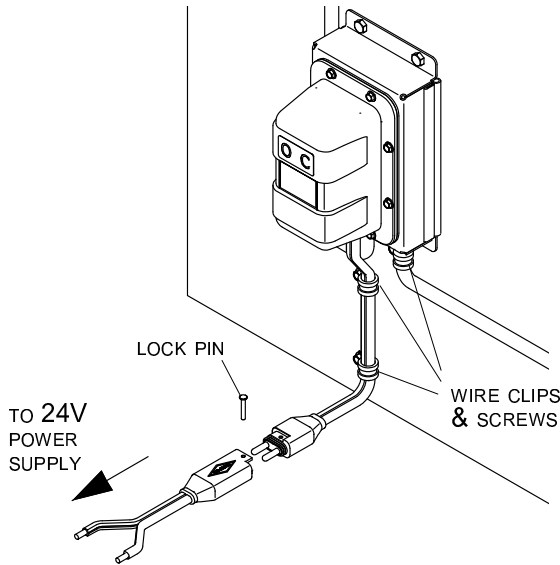


STEP 7: Repeat steps 4 through 5 for center pole drive motor.



STEP 8: Route dual-conductor red (+) and black (-) wires to 24V power supply and connect in best way. Secure wire with wire clips and self-drilling screws.

NOTE: For tipping trailers, route female SMARTwire™ on box to trailer pivot, then back to 24V power supply on trailer frame. Add circuit breaker if 24V power supply is not already protected with one. Align breaker with red (+) lead, placing as close as possible to power source.

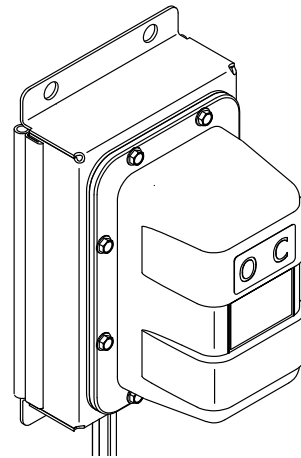


⚠ CAUTION
From this point, spool, sheet and webbing may move and become tight.

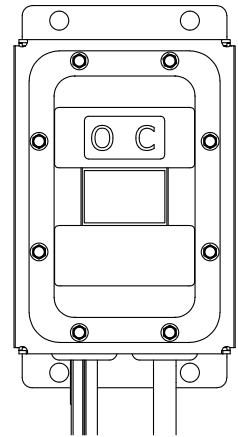
SKIP TO SYSTEM SETUP.

NOTE: Receiver has manual switch. Locate where easily accessible and safe to operate sheet, typically on driver side of front skin where it can be reached without climbing on trailer.

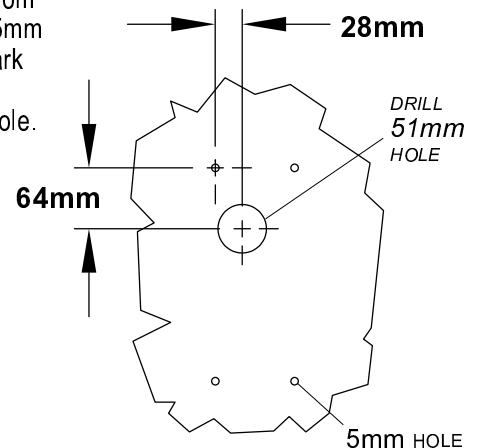
STEP 9: Determine mounting location for wireless receiver.



STEP 10: Using holes on receiver as guide, mark and drill four 5mm holes as shown.

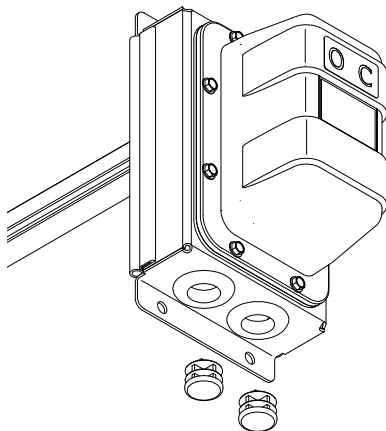


STEP 11: Measure as shown from top left 5mm hole. Mark and drill 51mm hole.

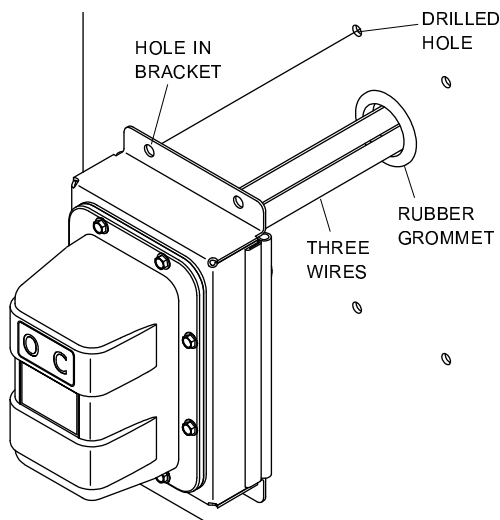


STEP 12: Pull all three wires out of rubber grommets on bottom of receiver bracket. Insert two 1" plugs into rubber grommets.

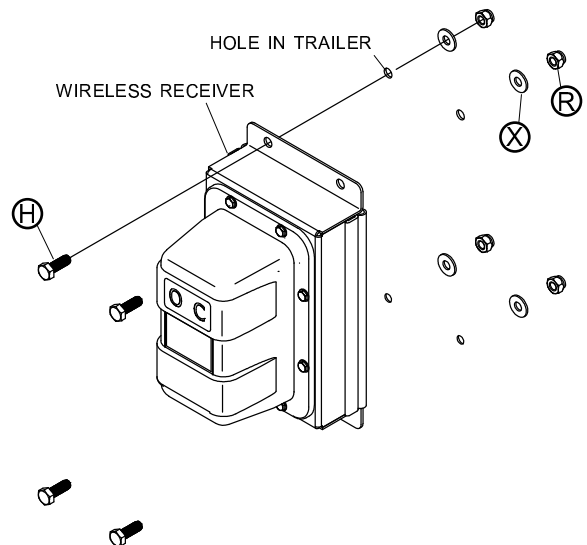
Verify wire lengths before drilling holes. Dual-conductor red (+) and black (-) wire must reach 24V DC power supply. Two marked 3-conductor wires must reach junction boxes on spool motor or center pole drive motor. Observe full motion of center pole motor and supply enough wire for motor to reach fully open and closed sheet positions.



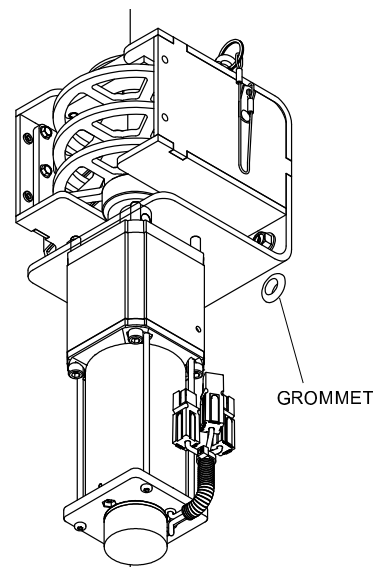
STEP 13: Install 1 1/2" rubber grommet into 81mm hole. Pass three wires through rubber grommet and align holes in bracket with drilled holes.



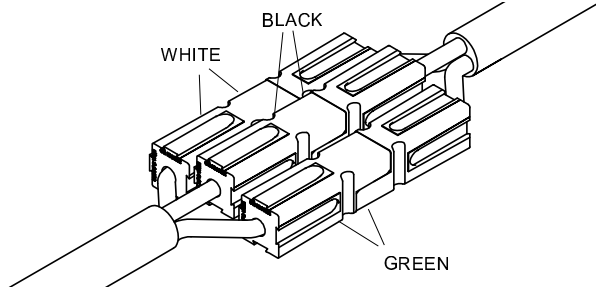
STEP 14: Align holes on wireless receiver with holes on trailer. Fasten receiver to trailer with screws **H**, washers **X** and nuts **R**.



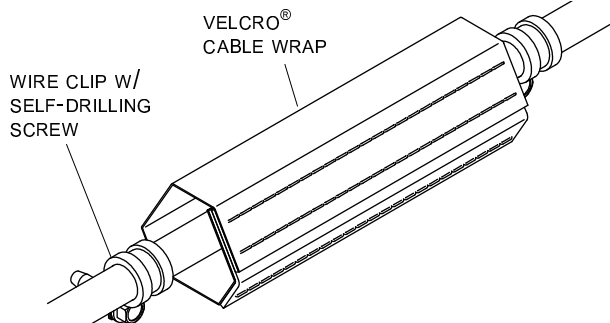
STEP 15: Drill hole in location shown and install rubber grommet with 14mm ID (grommet not supplied).



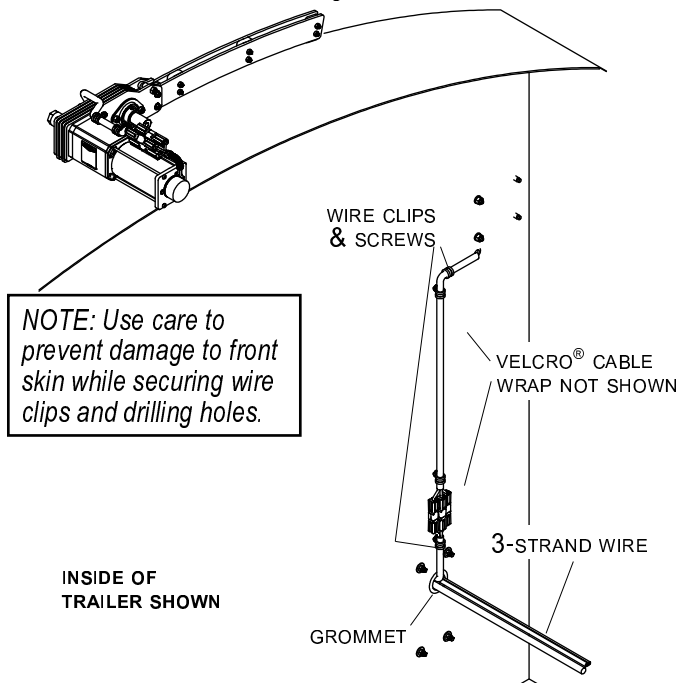
STEP 16: Connect jumper wire between wireless receiver wire mandrel spool and wire connected to spool motor. Connect wire ends to matching colored wire ends.



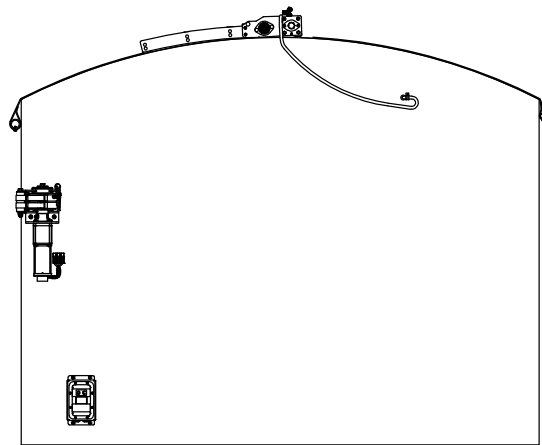
STEP 17: Cut Velcro® cable wrap into six 6" pieces. Wrap around wire connections. Secure wire with wire clips.



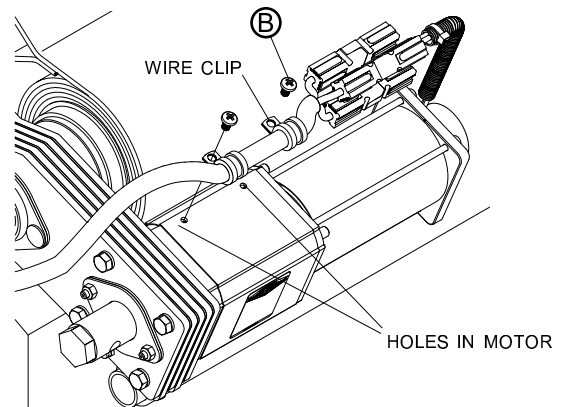
STEP 18: Route 3-conductor wire marked for spool motor through rubber grommet and to junction box on spool motor. Secure wire to bottom of spool bracket with wire clip and screw **D**. Secure wire to trailer with wire clips and self-drilling screws.



STEP 19: Repeat steps 15 to 16 for center pole drive motor, securing wire to box with wire clips and M6 screws.

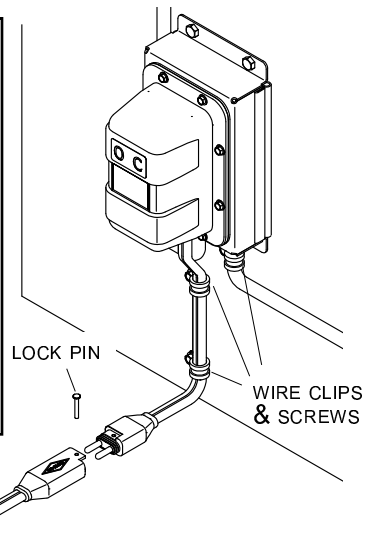


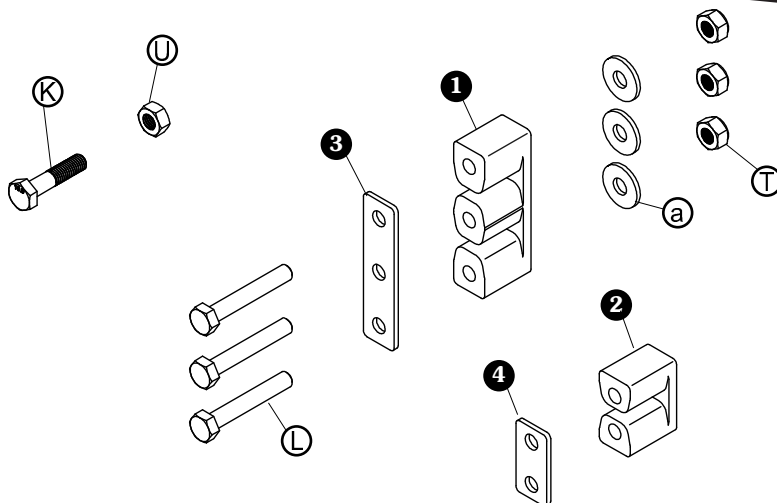
STEP 19A: Secure wire to motor gear with 1/2" wire clips and screws **B**, fastening through existing holes in motor.



STEP 20: Route dual-conductor red (+) and black (-) wires to 24V power supply and connect in best way. Secure wire with wire-clips and self-drilling screws.

NOTE: For tipping trailers, route female SMARTwire™ on box to trailer pivot, then back to 24V power supply on trailer frame. Add circuit breaker if 24V power supply is not already protected with one. Align breaker with red (+) lead, placing as close as possible to power source.





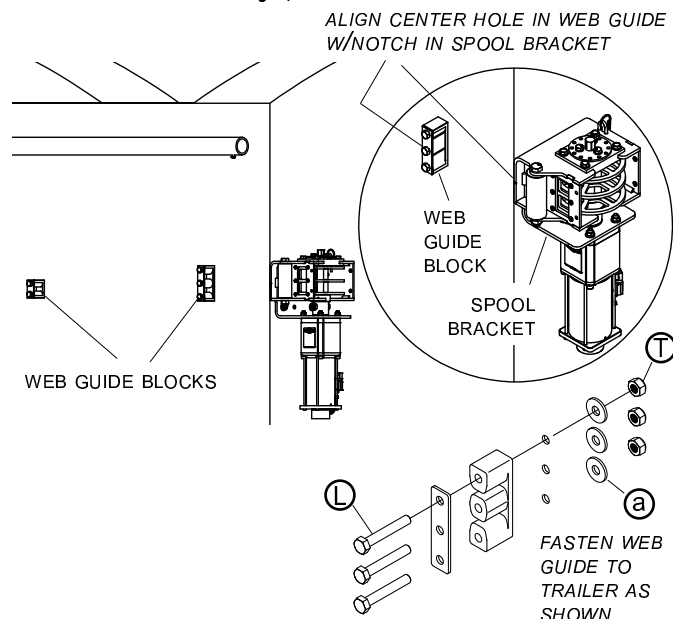
Item Part #	Description
1. 1705554	Webbing Strap Guide - Large
2. 1705553	Webbing Strap Guide - Small
3. 1124992	Webbing Strap Guide Plate - Large
4. 1124989	Webbing Strap Guide Plate - Small
K. 1705357	Cap Screw - M10 x 45 - GD10
L. 1705556	Cap Screw - M10 x 65
T. 1705555	Nylon Lock Nut - M10
U. 1705361	Nylon Lock Nut - M10 - GD10.9
a. 1701176	Flat Washer - 3/8"

NOTE: Add circuit breaker if 24V power supply is not already protected with circuit breaker. Align breaker with red (+) lead and place as close to power source as possible.

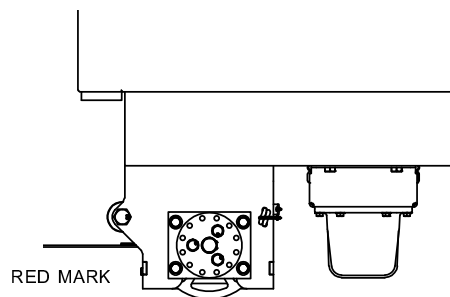
CAUTION
 From this point, spool, sheet and webbing may move and become tight.

STEP 1: Unplug white quick-disconnects for motor wire from white control box wire, for spool and center pole motors. This will allow motor breaks to be energized (released) without running motors.

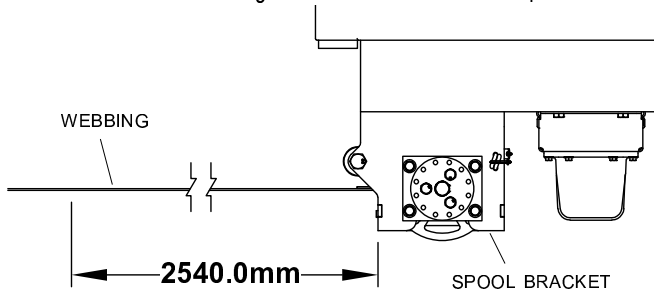
STEP 2: Install web guide blocks on side of box. Install at correct height in reference to spool to extend life of webbing. During operation, webbing should be centered in openings when entering spool bracket.



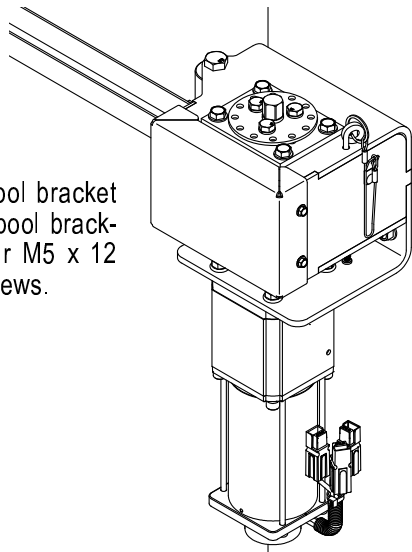
STEP 3: Press and hold *Open* button on wireless receiver to release motor breaks. Pull webbing out of spool bracket until webbing has been unwound from spool. Bolt marked with red end will be in this location. Two people may be required to safely complete this step.



STEP 4: Stretch webbing and mark 2540mm from spool bracket.



STEP 5: Fasten spool bracket cover to spool bracket with four M5 x 12 flanged screws.

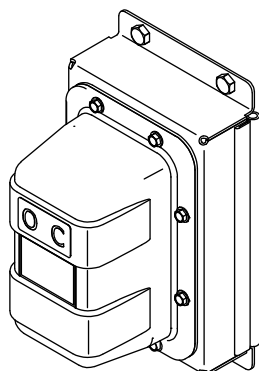


STEP 6: Reconnect white quick-disconnect for spool motor wire. Press and hold close button. Allow webbing to roll up on spool until 2430mm mark reaches bracket. Two people may be needed to safely complete this step.

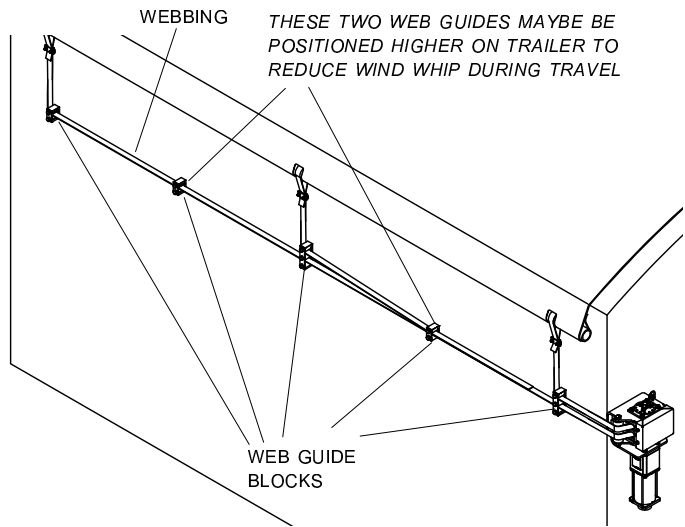


WARNING

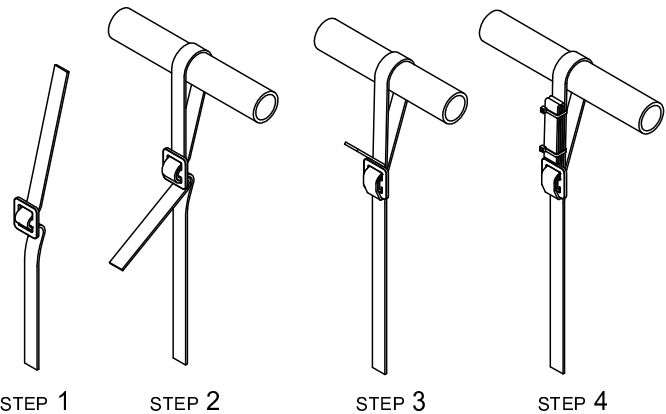
Use extreme caution working by spool. Keep hands and fingers clear of all moving parts and pinch points.



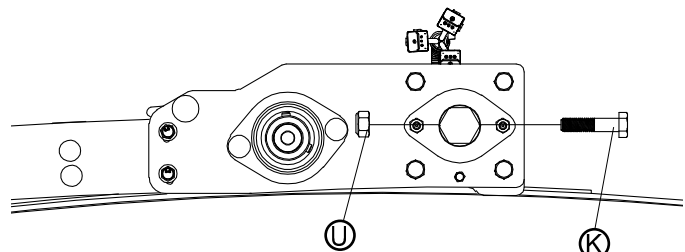
STEP 7: Thread webbing through guides and secure webbing to pull tube. Do not cut webbing to length at this time. Connection may need to be adjusted but should be secured to take full torque of motor.



SECURE WEBBING TO PULL TUBE

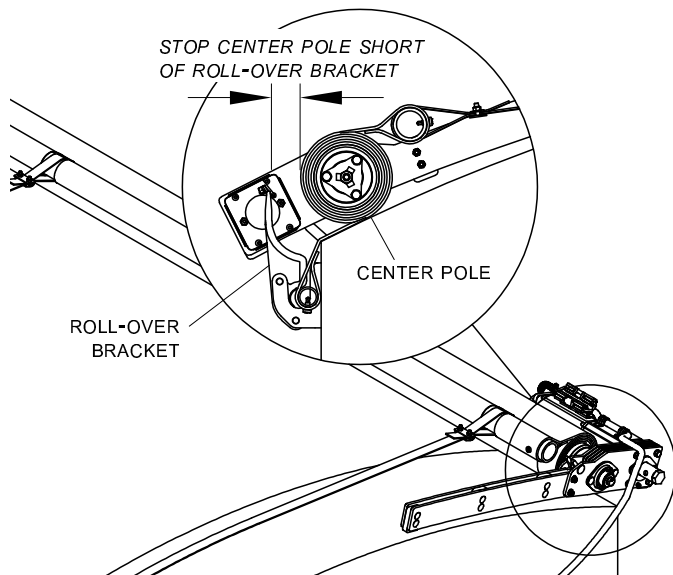


STEP 8: Reconnect white quick-disconnect for center pole motor. Quickly press and release *Open* button on wireless receiver until hole in center pole motor is lined up with hole in drive sprocket. Insert M10 x 45 cap screw **K** and secure with M10 nylon lock nut **U**.

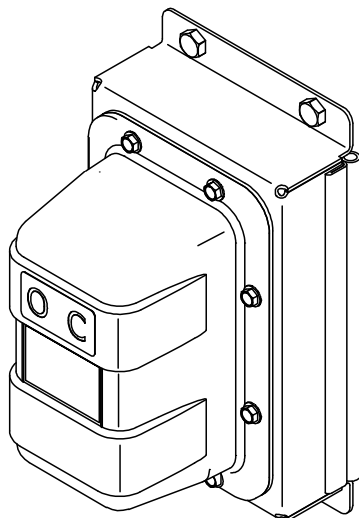


STEP 9: Press and hold *Open* button until center pole reaches fully open position, just short of reaching sheet stops. This will protect sheet from damage from rubbing against stops.

NOTE: Stop center pole early if you would prefer to prevent center pole arm assembly from hanging past side of box.



STEP 10: Unplug white quick-disconnect for motor wire on center pole motor. Press and hold *Open* button, this will release motor breaks. Unwind any remaining webbing from spool until marked bolt is in far left location. Two people may be needed to safely complete this step.



STEP 11: With sheet still in fully open position, release webbing clamps (not supplied) and remove all slack from webbing and sheet. Re-secure webbing.

NOTE: During operation, webbing and spool will unwind until all of webbing is unwound and will act as stop. This will be fully open location of sheet.

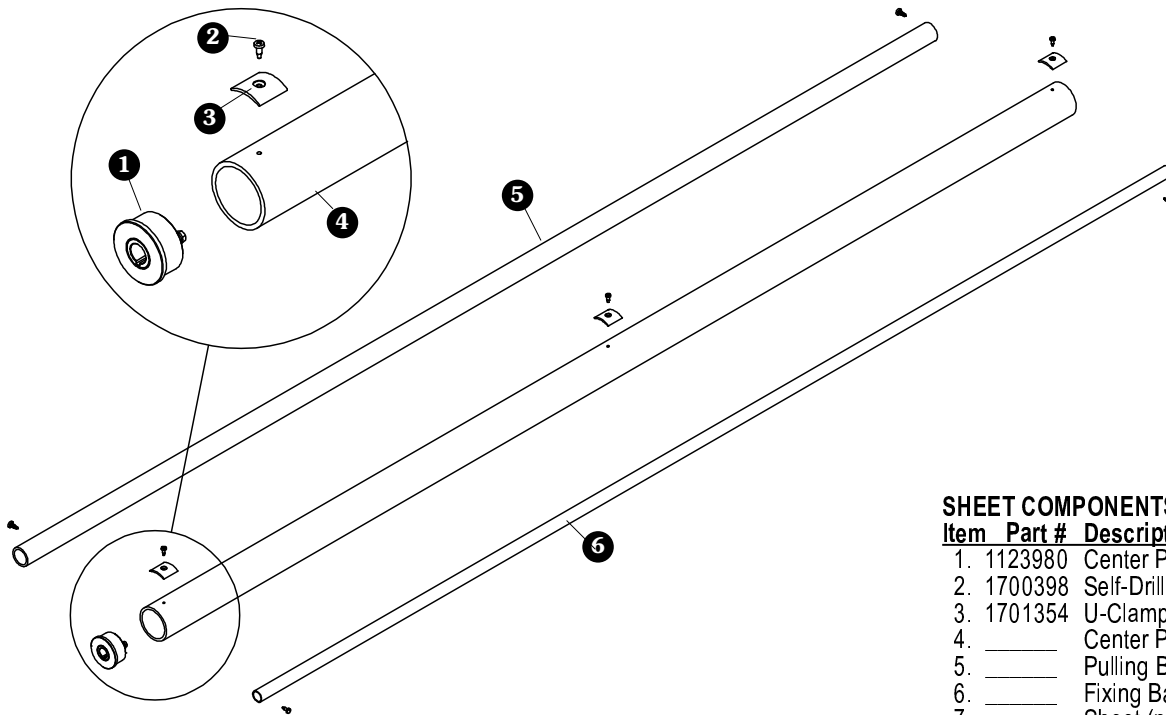
STEP 12: Connect any quick-disconnects that were disconnected in previous steps. Open and close sheet using *Open* and *Close* buttons and review operation.

STEP 13: If adjustments are needed, close sheet, disconnect center pole motor wire from white control wire and press and hold *Open* button. Pull some webbing from spool and release button. Release webbing clamps and make necessary adjustments. Re-secure clamps.

STEP 14: Connect quick-disconnects and verify operation.

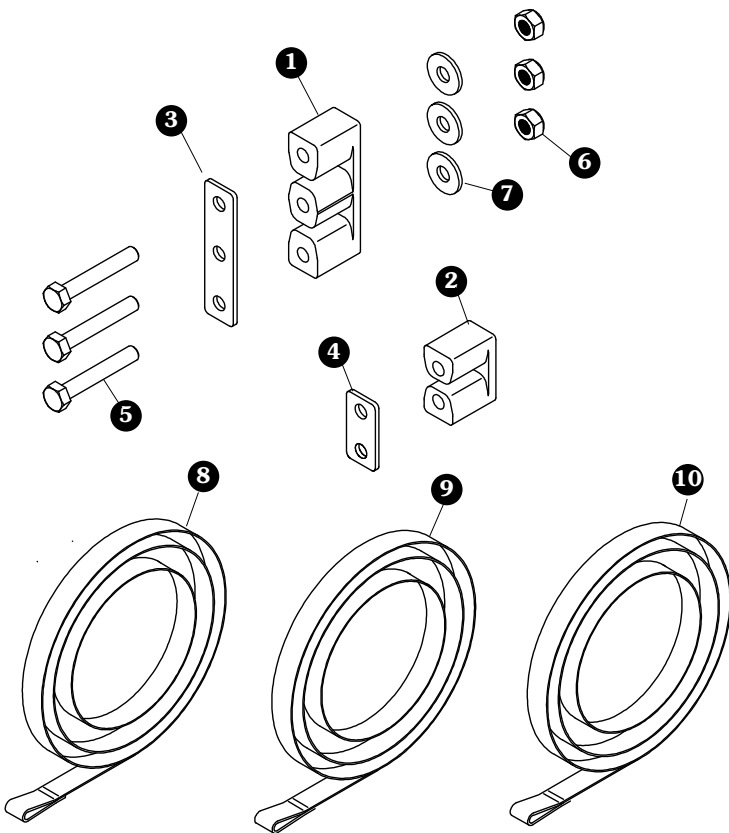
NOTE: As a final check, run sheet open and closed in *Express Mode*. System should stall when fully open and fully closed. One second after stalling, SMART1+™ electronics will disconnect power to motors. You can check this by stalling motor in open and closed positions and listen carefully for solenoid under black wireless receiver cover to click after one second of stall.

SMART1+™ *Operator's Instruction Guide* and *ShurCover™ Operating Instructions* are available on our web site: <http://www.shurco.co.uk>



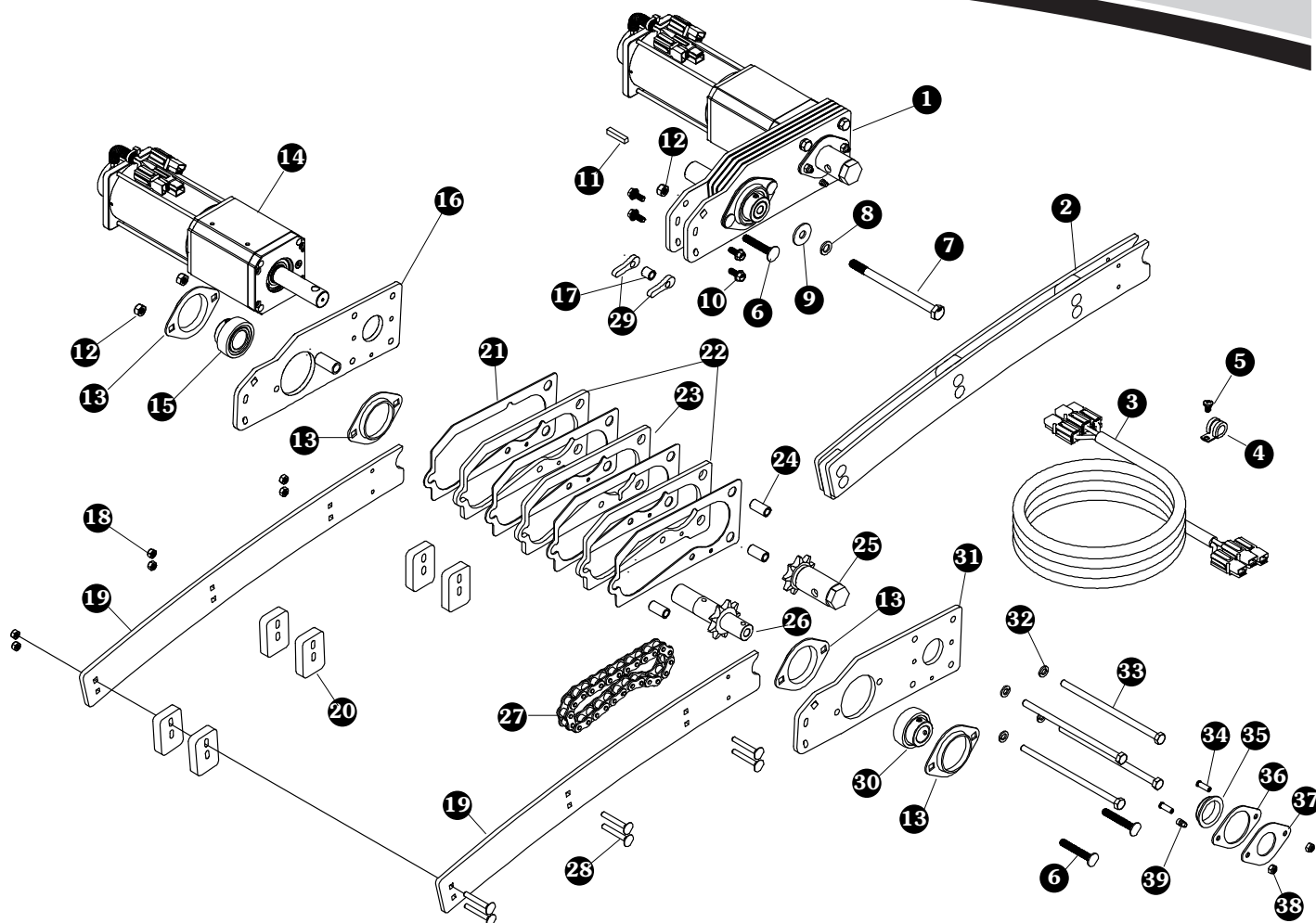
SHEET COMPONENTS

Item	Part #	Description
1.	1123980	Center Pole Plug - UK
2.	1700398	Self-Drilling Screw - 1/4" x 3/4"
3.	1701354	U-Clamp
4.		Center Pole
5.		Pulling Bar
6.		Fixing Bar
7.		Sheet (not shown)



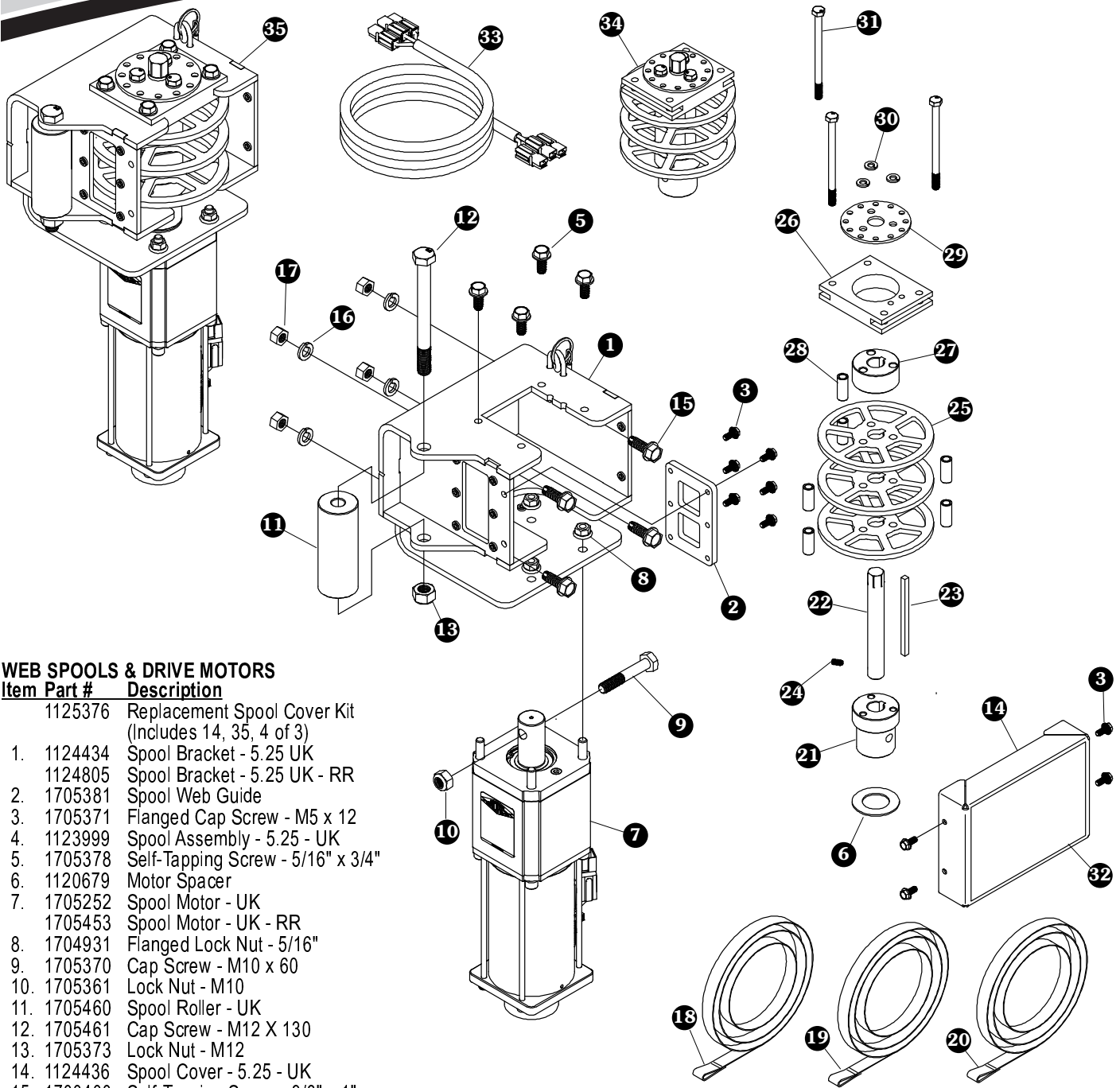
SYSTEM SETUPS

Item	Part #	Description
	1125374	Webbing Guide Kit - Single (Includes 2, 4, 2 of 5, 6 & 7)
	1125375	Webbing Guide Kit - Double (Includes 1, 3, 3 of 5, 6 & 7)
1.	1705554	Webbing Strap Guide - Large
2.	1705553	Webbing Strap Guide - Small
3.	1124992	Webbing Strap Guide Plate - Large
4.	1124989	Webbing Strap Guide Plate - Small
5.	1705556	Cap Screw - M10 x 65
6.	1705565	Nylon Lock Nut - M10
7.	1701176	Flat Washer - 3/8"
8.	1805587	Front Strap - 6m
9.	1805588	Rear Strap - 12m
10.	1805589	Rear Strap - 18m



CENTER POLE DRIVE MOTORS

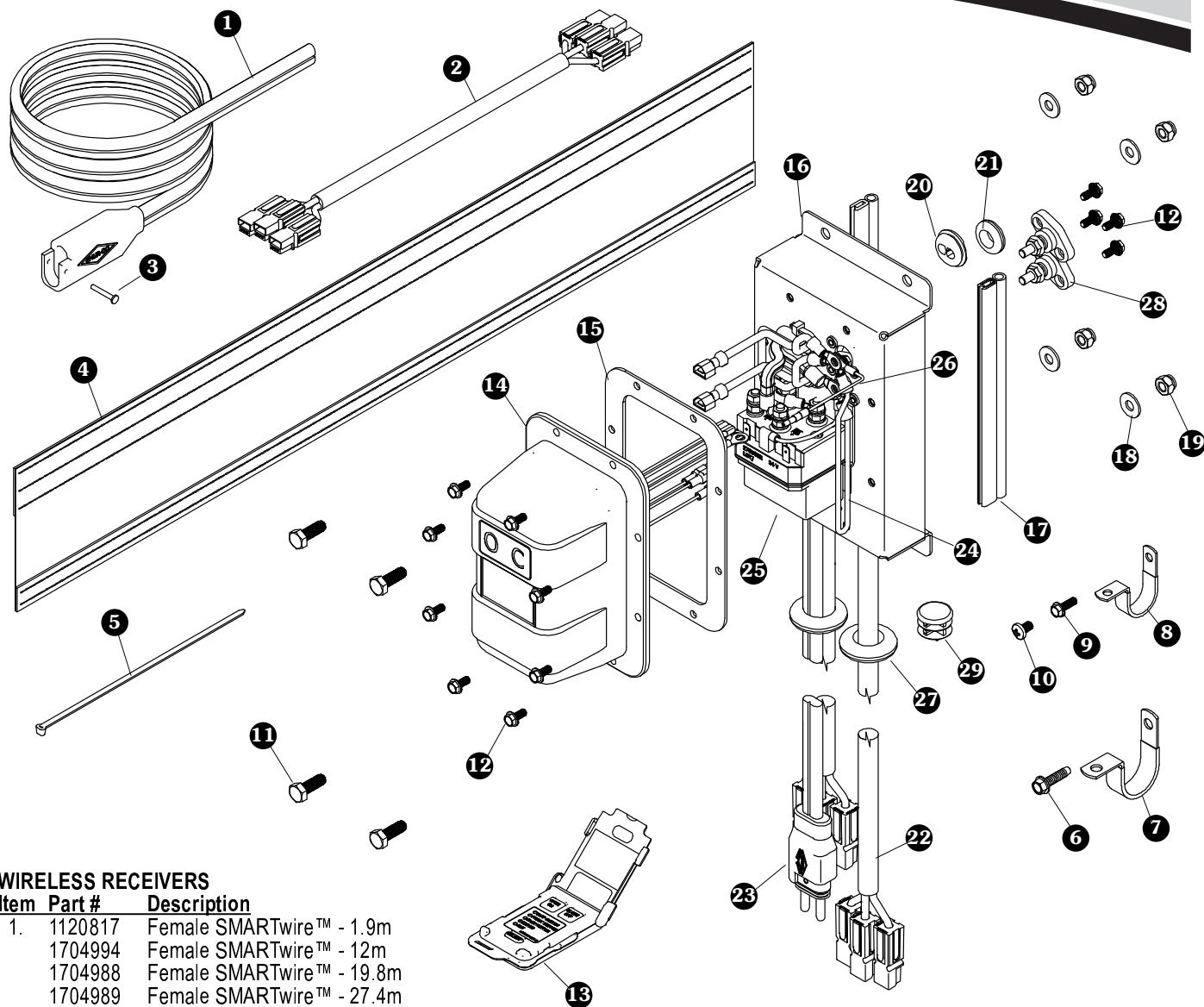
Item	Part #	Description	Item	Part #	Description
	1124970	Center Pole Arm Plate - Manual Side - Standard (Includes 32, 37, 38, 39, 41, 2 of 36 & 40)	17.	1124982	Bushing - 1/2" x 1/2"
	1124977	Center Pole Arm Plate - Manual Side - Reverse Roll (Includes 32, 37, 38, 39, 41, 2 OF 36 & 40)	18.	1705352	Nylon Lock Nut - M6 x 1
1.	1124968	Center Pole Drive w/Motor	19.	1124980	Center Pole Pivot Arm - Low Rise
	1124978	Center Pole Drive w/Motor - RR		1124984	Center Pole Pivot Arm - High Rise
2.	1124981	Center Pole Pivot Arm Assembly - Low Rise	20.	1705363	Anti-Rotation Arm Guide
	1124987	Center Pole Pivot Arm Assembly- High Rise	21.	1705452	Chain Box Gasket - 12" Rise
3.	1125048	Jumper Wire - Arm - Standard Roll	22.	1124437	Chain Box Plate - 12" Rise - 1/4" w/Hole
	1125050	Jumper Wire - Arm - Reverse Roll	23.	1124438	Chain Box Plate - 12" Rise - 1/4"
4.	1705344	Wire Clip	24.	1124818	Bushing - 1/2" x .334" x 1"
5.	1705353	Machine Screw - M6 x 10	25.	1705455	Center Pole Motor Drive Shaft
6.	1705351	Carriage Bolt - M8 x 55	26.	1705458	Center Pole Sprocket Shaft
	1705355	Cap Screw - M10 x 150	27.	1705456	Roller Chain - #50 x 16 1/4"
8.	1705350	Lock Washer - M10	28.	1705348	Carriage Bolt - M6 x 45
9.	1705347	Flat Washer - 10.5 x 30	29.	1124985	Center Pole Arm Cam
10.	1705551	Flanged Cap Screw - M6 x 16	30.	1705459	Radial Ball Bearing - 7/8"
11.	1123996	Key Stock - 1 1/4"	31.	1124976	Center Pole Arm Plate - Manual Side
12.	1705349	Nylon Lock Nut - M8 x 1.25	32.	1700433	Lock Washer - 5/16"
13.	1701054	Bearing Flange - 52mm - 2 Bolt	33.	1705346	Cap Screw - M8 x 170
14.	1705251	Center Pole Motor	34.	1705360	Flush Stud
	1705511	Center Pole Motor - Reverse Roll	35.	1705359	Flanged Bushing - 1 13/32" x 3/8"
15.	1705450	Radial Ball Bearing - 1"	36.	1123982	Bearing Spacer
16.	1124975	Center Pole Arm Plate - Motor Side - Standard	37.	1123981	Bearing Cover
	1124979	Center Pole Arm Plate - Motor Side - Reverse Roll	38.	1705352	Nylon Lock Nut - M6 x 1
			39.	1705356	Grease Fitting - M6 x 1



WEB SPOOLS & DRIVE MOTORS

Item	Part #	Description
	1125376	Replacement Spool Cover Kit (Includes 14, 35, 4 of 3)
1.	1124434	Spool Bracket - 5.25 UK
	1124805	Spool Bracket - 5.25 UK - RR
2.	1705381	Spool Web Guide
3.	1705371	Flanged Cap Screw - M5 x 12
4.	1123999	Spool Assembly - 5.25 - UK
5.	1705378	Self-Tapping Screw - 5/16" x 3/4"
6.	1120679	Motor Spacer
7.	1705252	Spool Motor - UK
	1705453	Spool Motor - UK - RR
8.	1704931	Flanged Lock Nut - 5/16"
9.	1705370	Cap Screw - M10 x 60
10.	1705361	Lock Nut - M10
11.	1705460	Spool Roller - UK
12.	1705461	Cap Screw - M12 X 130
13.	1705373	Lock Nut - M12
14.	1124436	Spool Cover - 5.25 - UK
15.	1700400	Self-Tapping Screw - 3/8" x 1"
16.	1700434	Lock Washer - 3/8"
17.	1700407	Hex Nut - 3/8"
18.	1805587	Webbing - 6m x 25mm - Front
19.	1805588	Webbing - 12m x 25mm - Rear Ridged
20.	1805589	Webbing - 18m x 25mm - Rear - Trailer
21.	1124042	Spool Shaft - Motor Adapter
22.	1124819	Spool Shaft - 3/4" x 5 3/4"
23.	1124002	Keystock - 1/4" x 4 1/4"
24.	1705387	Socket Set Screw - M6 x 12
25.	1124001	Spool Plate - 5 1/4"
26.	1124043	Bushing Spacer - 3/16"
27.	1124820	Upper Spool Bearing Spacer

Item	Part #	Description
28.	1705377	Spool Bearing
29.	1124004	Spool Lock Plate - 1 3/16"
30.	1700433	Lock Washer - 5/16"
31.	1705385	Cap Screw - M8 x 1.25 x 120
32.	1705581	ShurCover Decal
33.	1125047	Jumper Wire Spool - Standard
	1125049	Jumper Wire Spool - Reverse Roll
34.	1128999	Spool Assembly - 5.25
35.	1124821	Webbing Spool Drive Assembly
	1125053	Webbing Spool Drive Assembly - Reverse Roll



WIRELESS RECEIVERS

Item	Part #	Description
1.	1120817	Female SMARTwire™ - 1.9m
	1704994	Female SMARTwire™ - 12m
	1704988	Female SMARTwire™ - 19.8m
	1704989	Female SMARTwire™ - 27.4m
	1125396	Female SMARTwire™ - 30.0m
2.	1125047	Jumper Wire - Spool - Standard
	1125048	Jumper Wire - Arm - Standard
	1125049	Jumper Wire - Spool - Reverse Roll
	1125050	Jumper Wire - Arm - Reverse Roll
3.	1704751	Harness Lock Pin
4.	1125035	Velcro® Cable Cover
5.	1703231	Cable Tie - 8"
6.	1704338	Self-Tapping Screw - 1/4" x 1"
7.	1705808	Wire Clip - 5/8"
8.	1705344	Wire Clip - 1/2"
9.	1705376	Flanged Cap Screw - M5 x 16
10.	1705353	Machine Screw - Pan Hd. - M6 x 10
11.	1702926	Cap Screw - 5/16" x 7/8"
12.	1705371	Flanged Cap Screw - M5 x 0.8 x12
13.	1123160	SMART1+™ Transmitter Remote
14.	1123726	Solenoid Cover Assembly
15.	1704309	Solenoid Gasket
16.	1124029	Solenoid Bracket

Item	Part #	Description
17.	1704369	Trim Seal
18.	1700428	Flat Washer - 5/16"
19.	1700419	Nylon Lock Nut - 5/16"
20.	1704721	Rubber Grommet
21.	1705399	Rubber Grommet
22.	1124027	Motor Control Wire
23.	1704705	SMARTwire™ - 13.3mm² Plug x 0.25" Ring Terminals - 0.7m
24.	1124025	Shunt Wire
25.	1705082	Motor Reversing Solenoid
26.	1123701	Central Module Ground Wire
27.	1703282	Rubber Grommet
28.	1705398	Power Post
29.	1701595	End Plug - 1"

MORE QUALITY PRODUCTS FROM SHUR-CO®

- **Genuine Replacement Tarps**
- **Genuine Replacement Parts**

- **Agriculture Products**
 - Value Series Shur-Lok®
 - Super Duty Shur-Lok®
 - Shur-Lok® Junior
 - Premium Belt 'n Ratchet
 - Cable-Lok™
 - Turning Point™ Bow
 - Tater-Top™

- **SMARTrailer™ Accessories for Agriculture Products**
 - SMART2™ Remote
 - SMART1 +™ Remote
 - 4500 Series HD Electric
 - Electric Shur-Lok®
 - AutoTrap™ Hopper Opener
 - ProTrap® Hopper Opener
 - Electric Gate & Hoist
 - LiteALL™ Work Lights
 - Cable-Lok™ Electric Upgrade
 - Electric Turning Point™ Bow
 - Solar Power Pack

- **Flatbed Products**
 - ShurTite™ Retractable Tarps
 - Stock Lumber & Steel Tarps

- **Custom Products**
 - Fitted Truck Covers
 - Flat Utility Tarps
 - Bean Drill Covers
 - Shur-Lok® Tarp Cords
 - Gustbuster™ Tarp Cords

- **Construction Products**
 - Super Duty Shur-Lok®
 - Shur-Trak II™
 - Cover-Pro II®
 - Turning Point™ Bow
 - IronSide™ Side-Dump System
 - Arm-Matic™
 - DuraPull™
 - Econo-Pull™
 - Turbo Tarp2™
 - 2000 Series
 - 5000 Series
 - Hammer™
 - Bullet™
 - Flash™
 - Long Arm™

- **SMARTrailer™ Accessories for Construction Products**
 - 4500 Series HD Electric w/Gate Flex™
 - Shur-Trak II™ Electric Upgrade
 - Cover-Pro II® Electric Upgrade
 - Electric Turning Point™ Bow
 - Solar Power Pack

- **Waste Products**
 - SWAT™
 - The Ox™
 - Quick-Flip III™
 - Sidewinder™
 - Sidewinder™ 350
 - HyTower™ SL
 - HyTower™ DL
 - Double-Flip™

TARPING SYSTEMS & ACCESSORIES

