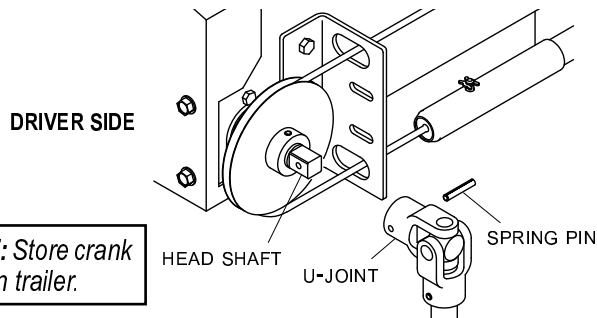


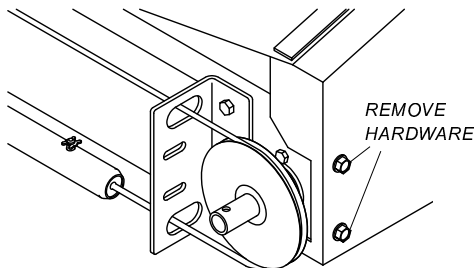
Installation Instructions - Shur-Trak II™ Side Mount Electric Motor - Durabuilt™ Chain Drive

P/N 1125712 Rev. C

STEP 1: Remove spring pin and crank arm from head shaft on driver side of box.

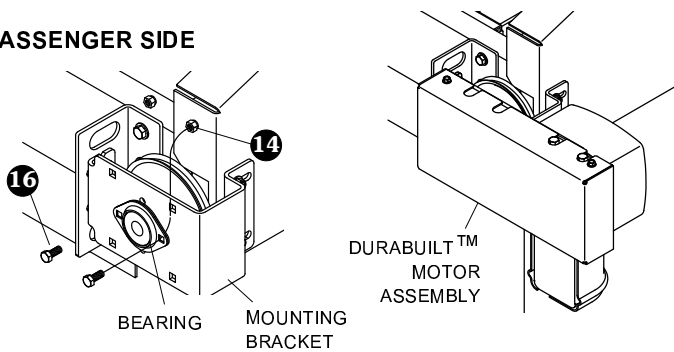


STEP 2: Remove hardware from passenger side of front cover as shown.

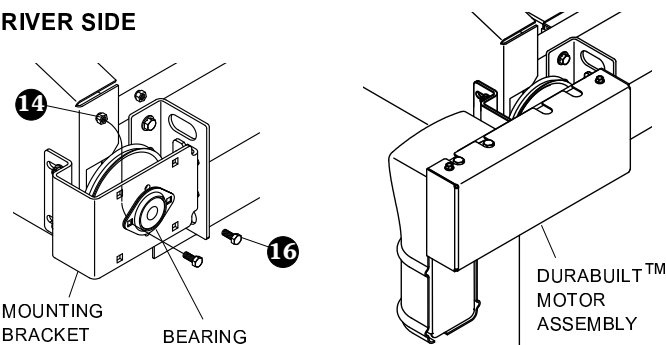


STEP 3: Align Durabuilt™ motor assembly as shown. Loosely fasten radial ball bearing to mounting bracket with screws 16 and lock nuts 14.

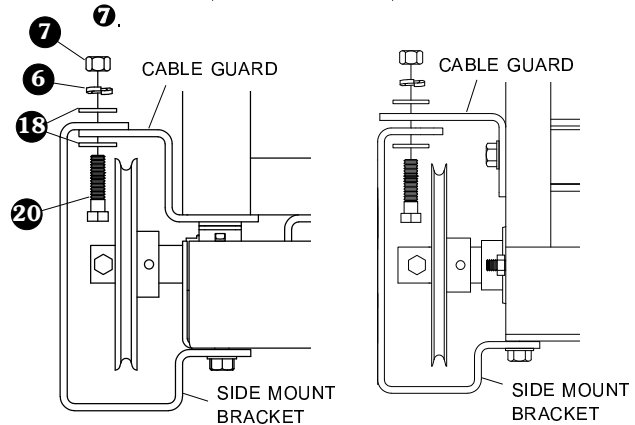
PASSENGER SIDE



DRIVER SIDE

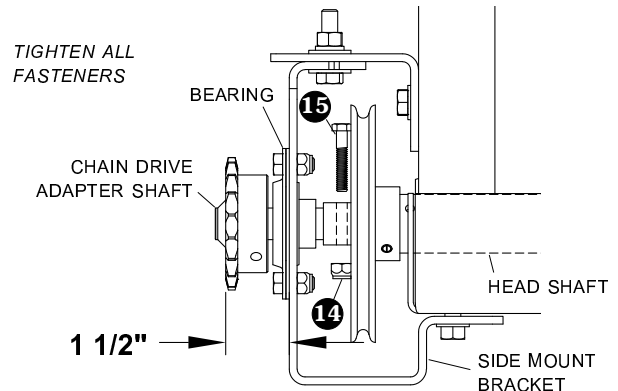


STEP 4: Loosely fasten side mount bracket to cable guard with screws 20, lock washers 6, flat washers 18 and nuts 7.

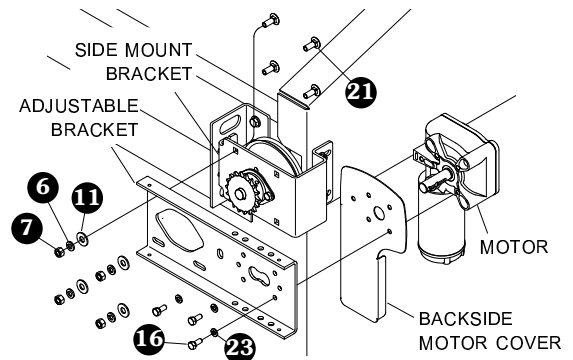


NOTE: For adjustable drives without covers, fasten side mount bracket to adjustable drive bracket (P/N 1115128).

STEP 5: Insert chain drive adapter shaft through bearing and fasten to head shaft with screw 15 and nut 14. Adjust side mount bracket so face of sprocket is 1 1/2" from face of bracket and align adapter shaft with head shaft. Make sure bracket is square to shaft, then tighten fasteners.



STEP 6: Loosely fasten adjustable bracket to side mount bracket with carriage bolts 21, flat washers 11, lock washers 6 and nuts 7, allowing bracket to slide in adjustment slots. Position motor and cover as shown and fasten to adjustable bracket with screws 23 and nuts 16.

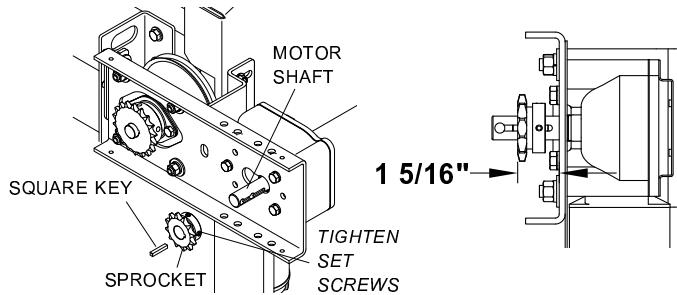


PO BOX 713 ■ 2309 SHUR-LOK STREET
YANKTON, SOUTH DAKOTA 57078-0713
PH. 1-800-474-8756 ■ FAX 605-665-0501

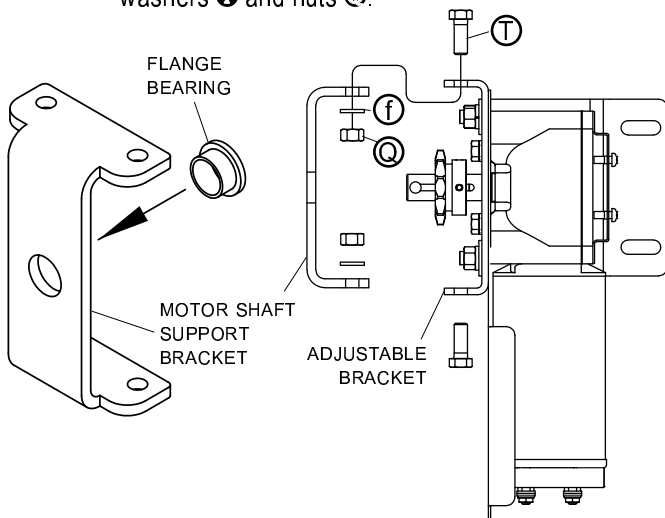


SHUR-CO® HELP LINE
CALL: 1-866-748-7435
www.shurco.com

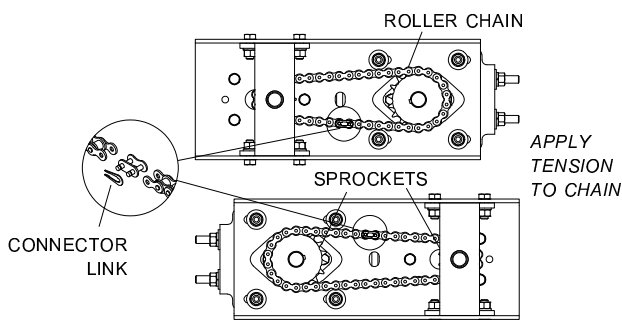
STEP 7: Insert square key into keyway on motor shaft and align key with keyway in sprocket. Slide sprocket onto shaft so face of sprocket is 1 5/16" from face of bracket. Tighten set screws to secure.



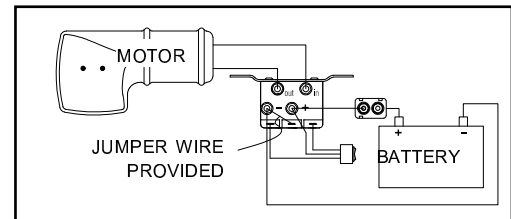
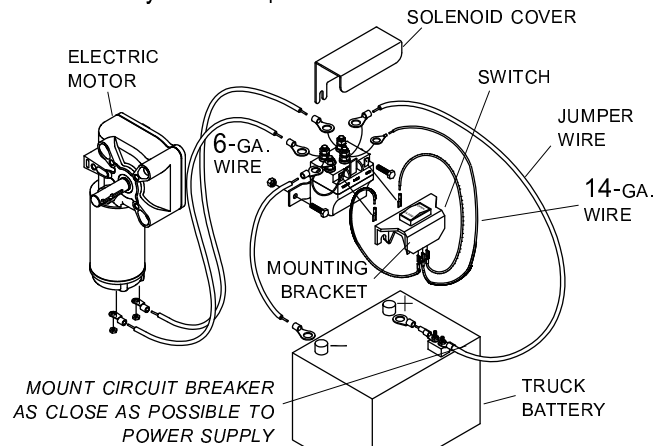
STEP 8: Install flange bearing into motor shaft support bracket. Fasten bracket to adjustable bracket with screws **T**, washers **f** and nuts **Q**.



STEP 9: Wrap roller chain around sprockets and connect ends with connector link. Pull adjustable bracket outward from trailer to remove slack from chain. If needed, rotate head shaft slightly to tighten chain (motor shaft will not move). With chain at correct tension, securely tighten fasteners holding adjustable bracket to side mount bracket.



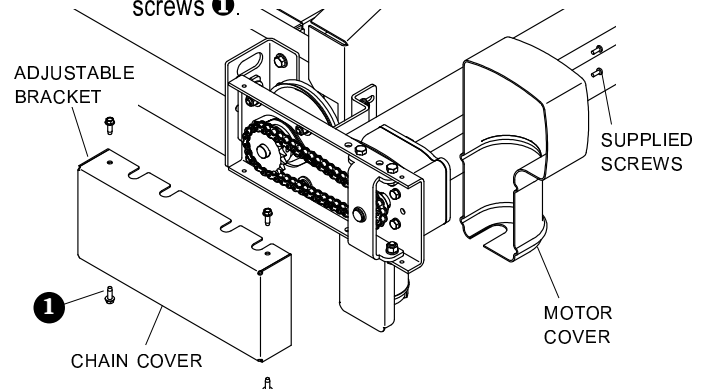
STEP 10: Mount solenoid in suitable location - ventilated area near battery is ideal. Run 6-ga. wire from motor to solenoid and from power supply to circuit breaker to solenoid as shown. Run 14-ga. wire from solenoid to switch and mount switch in area convenient to operator. Mount switch inside or outside cab. Mount with bracket or install directly into dash panels.



WIRING TIPS

- Pick up power at battery or terminal block. Use 6-ga. wire or larger when connecting to power supply and motor.
- Do not place wire in areas where wire could be pinched or cut during operation. Be sure to loop extra wire at hinge area on dump bodies.
- If switch is running system backwards, reverse 14-ga. wire at solenoid to reverse system operation.
- Momentary contact must be held open or closed to operate system.

STEP 11: Fasten motor cover to adjustable bracket with supplied screws. Fasten chain cover to adjustable bracket with screws **1**.

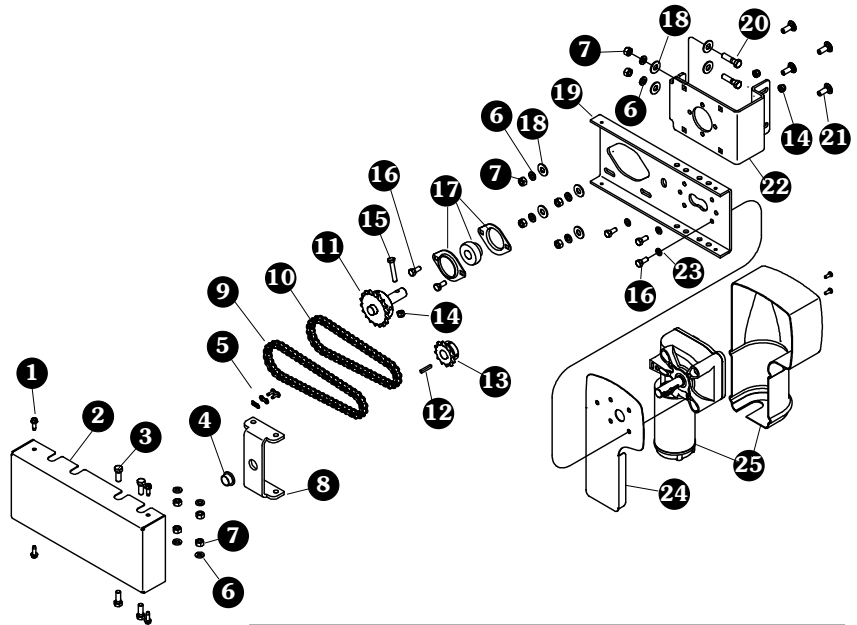


Installation Instructions - Shur-Trak II™ Side Mount Electric Motor - Durabuilt™ Chain Drive - *continued*

P/N 1125712 Rev. C

SHUR-TRAK II™ DURABUILT™ MOTOR

Item	Part #	Description
1.	1700403	Self-Tapping Screw - 1/4" x 3/4"
2.	1125688	Chain Drive Cover - Durabuilt™
3.	1701061	Cap Screw - 3/8" x 1"
4.	1704811	Flange Bearing - 3/4" ID
5.	1701057	Connector Link
6.	1700434	Lock Washer - 3/8"
7.	1700407	Hex Nut - 3/8"
8.	1125687	Motor Shaft Support Bracket
9.	1122562	Roller Chain - 23 3/4"
10.	1115383	Roller Chain - 21 1/2"
11.	1122379	Chain Drive Adapter Shaft
12.	1125699	Square Key - 3/16" x 3/16" x 1 1/8"
13.	1125684	Sprocket - T12-40 x 3/4" Bore
14.	1700419	Nylon Lock Nut - 5/16"
15.	1701468	Cap Screw - 5/16" x 1 3/4"
16.	1701045	Cap Screw - 5/16" x 3/4"
17.	1703374	Radial Ball Bearing w/Flanges - 3/4"
18.	1700429	Flat Washer - 3/8"
19.	1125686	Adjustable Side Mount Bracket - Durabuilt™ Motor
20.	1701434	Cap Screw - 3/8" x 1 1/2"
21.	1705051	Carriage Bolt - 3/8" x 1"
22.	1122380	Side Mt. Motor Bracket - Chain Drive
23.	1700433	Lock Washer - 5/16"
24.	1125689	Durabuilt™ Motor Cover
25.	1125700	Durabuilt™ Motor w/Cover
26.	1700400	Self-Tapping Screw - 3/8" x 1"
27.	1115385	Heavy-Duty Dual-Conductor Plug
28.	1119557	Heavy-Duty Dual-Conductor Socket w/Boot
29.	1109015	Dual-Conductor Plug Mounting Bracket
30.	1703661	Rocker Switch Mounting Bracket
31.	1704354	40-Amp Modified-Reset Circuit Breaker
31.	1703480	50-Amp Auto-Reset Circuit Breaker
32.	1703896	Solenoid Cover
33.	1703845	Motor-Reversing Solenoid
34.	1700381	Cap Screw - 1/4" x 1"
35.	1116020	Rocker Switch
36.	1701543	Nylon Lock Nut - 1/4"
37.	1704153	Ring Terminal - 14-Ga. x 1/4" Stud - Solenoid
38.	1703659	Push-On Terminal - 14-Ga. - 1/4" - Switch/Solenoid
39.	1702707	Ring Terminal - 6 Ga. x 1/4" Stud - Motor/Solenoid
40.	1703245	Ring Terminal - 6 Ga. x #10 Stud - Motor/Breaker
41.	1701045	Cap Screw - 5/16" x 3/4"
42.	1700411	Hex Nut - 5/16"



NOTE: Switch wire connections on motor to reverse flow of current. Ground system through solenoid only.

