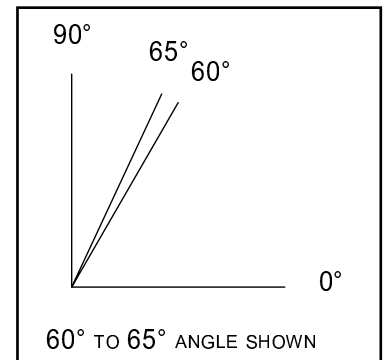


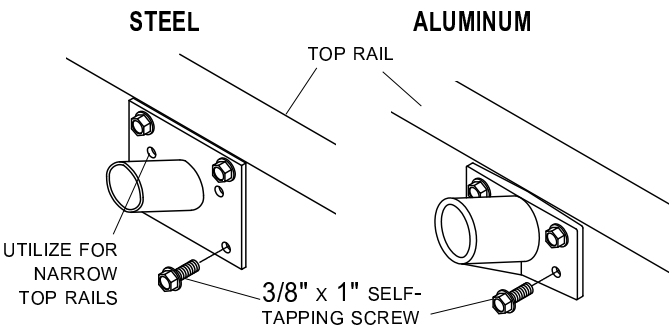
Durabow™ is made of high-strength plastic, allowing you to dump materials over bows without bending or breaking them.

Item	Part #	Description
1.	1705128	Durabow™ - 97"
	1705129	Durabow™ - 102"
2.	1705324	Aluminum Durabow™ Bracket
3.	1122932	Steel Durabow™ Bracket
4.	1111335	Durabow™ Sock
5.	1700400	Self-Tapping Screw - 3/8" x 1"

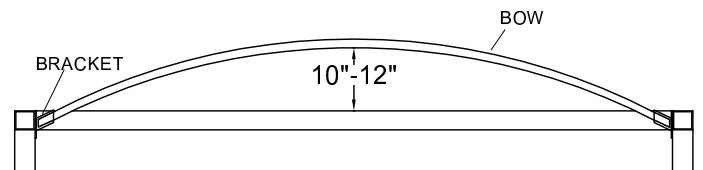


STEP 1: Equally space bow brackets on either side of trailer. Mount brackets flush with top rail. Pre-drill 5/16" holes and secure each bracket with four (4) self-tapping screws.

NOTE: Trailer width may vary from front to back. To maintain consistent 10" to 12" arch, measure trailer width at each bow location.

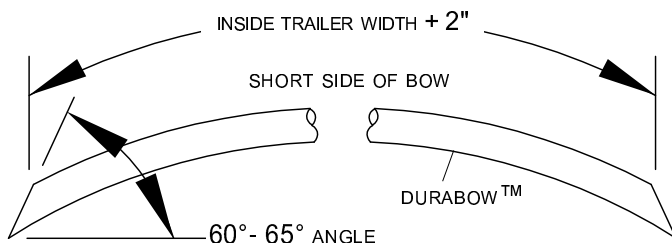


STEP 3: (Optional) If using bow socks, slide Durabow™ into bow sock, trim sock if necessary.



STEP 2: Cut bow ends at 60° to 65° angle. Cut short side of bows 2" longer than inside trailer width to obtain 10" to 12" arch.

STEP 4: Insert bows into brackets.



CAUTION
Stay clear of top side of bow; bow can release and spring upward.

Example: If trailer width is 90" inside to inside, cut short side of bow 92" long.

STEP 5: Repeat steps 1 to 4 for each bow.

NOTE: Brackets may be welded instead of bolted into place. Consult trailer manufacturer for recommended welding procedure.

NOTE: Warranty will be void if bow ends are not cut at 60° to 65° angle.

