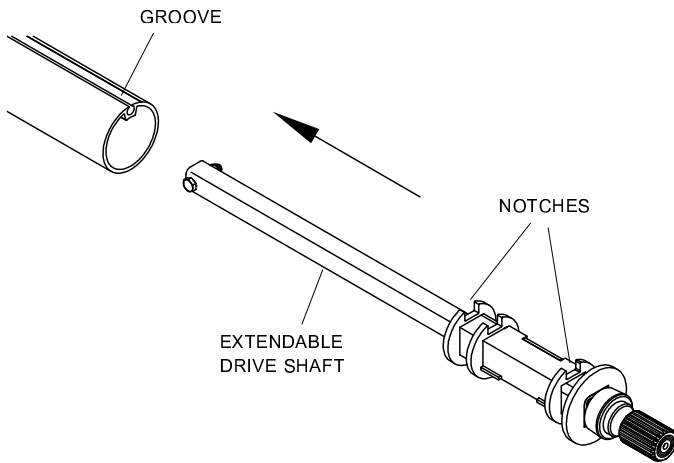
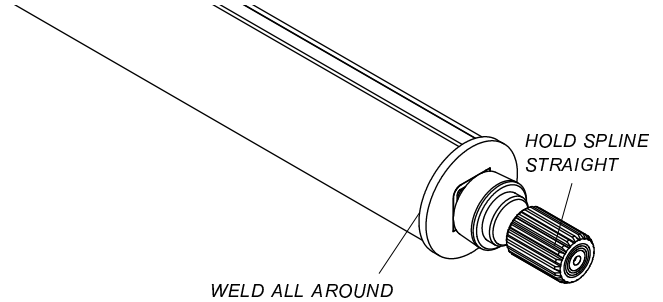


Item	Part #	Description
	1126556	Extendable Drive Shaft Assembly - 3" x 14"
1.	1126557	Extendable Drive Shaft Housing - 3" x 7"
2.	1126187	Extendable Drive Shaft - 25 1/2"
3.	1703487	Cap Screw - 5/16" x 1 1/2"
4.	1700419	Nylon Lock Nut - 5/16"

**STEP 1:** Insert extendable drive shaft into roll tube, aligning notches in drive shaft with groove in roll tube.



**STEP 2:** Hold spline straight and weld all around. Weld short beads and let cool, then fill weld between beads.



**NOTE:** Keep weld splatter and heat away from tarp and trailer.

**NOTE:** Always store extendable drive shaft assembly with spline in collapsed position.