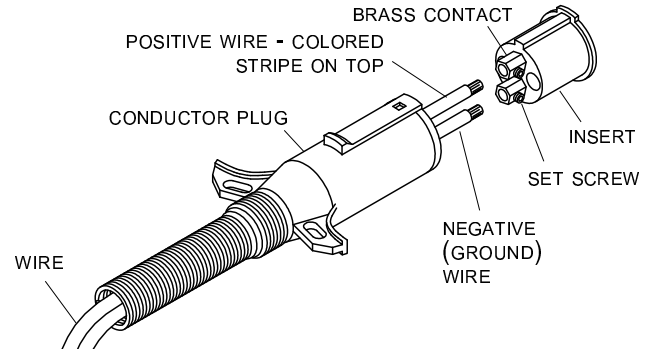


STEP 1: Mount solenoid in battery box or other location protected from elements and road debris. Solenoid posts should face up.

STEP 2: Assemble conductor plug. Unfasten screw and remove insert from plug housing. Feed 6-ga. dual wire through plug housing. Strip insulation back 1/2" and insert bare wire strands into brass contacts. Ensure there are no loose wire strands that could short circuit. Tighten set screws to secure wires. Replace insert into plug housing and secure screw.

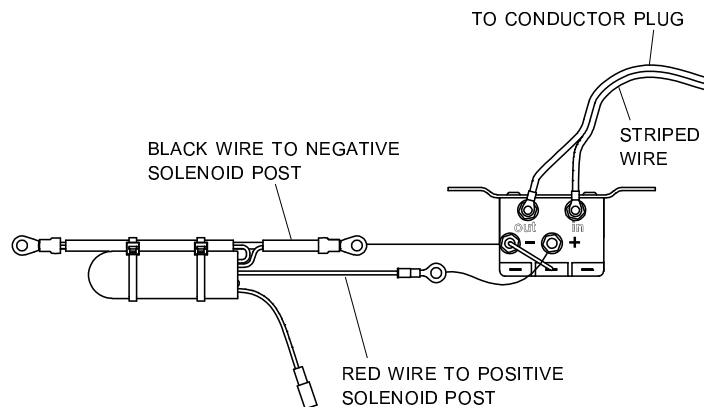
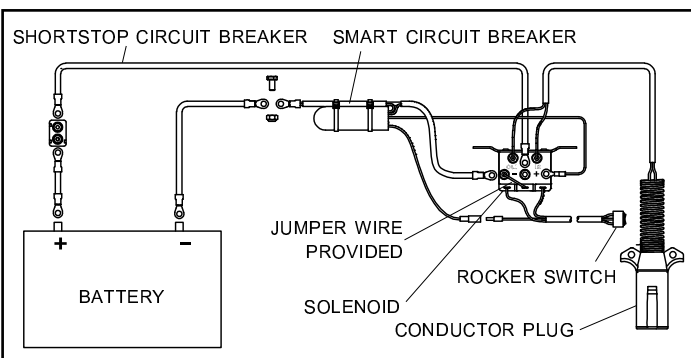


STEP 3: Route 6-ga. dual wire from conductor plug to solenoid and cut wire to length. Crimp and connect 1/4" ring terminals to rear two solenoid posts. Striped wire should be connected to right rear post. Orient wires so shield can be mounted over solenoid later.

NOTE: Cut wires to length and strip only enough wire insulation to install ring terminals. Insert bare wire into ring terminals and crimp securely.

RING TERMINAL
STRIP WIRE INSULATION
CRIMP SECURELY

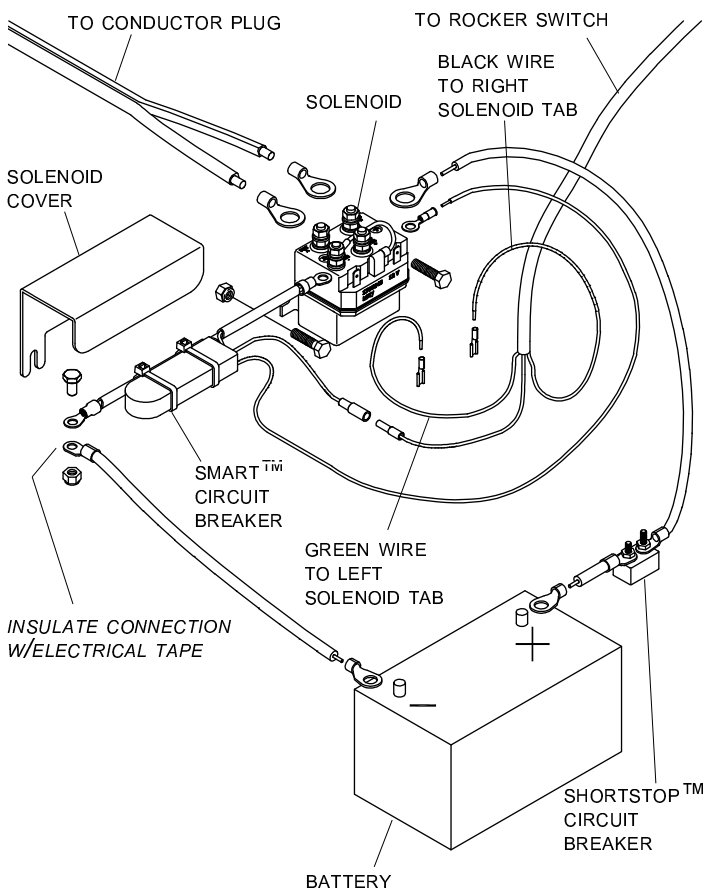
STEP 4: Connect SMART™ circuit breaker to solenoid.



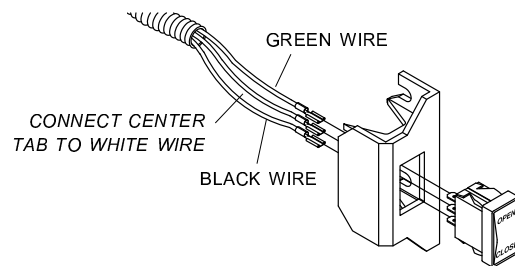
STEP 5: Connect SMART™ breaker to battery. Make jumper out of black 6-ga. wire (no stripe). Connect one end to battery negative post and bolt other ring terminal to SMART™ breaker. Insulate bolted connection with electrical tape.

NOTE: When splitting dual 6-ga. wire into separate halves to make jumper wires, use sharp knife to split webbing in order to prevent insulation from tearing and exposing metal strands.

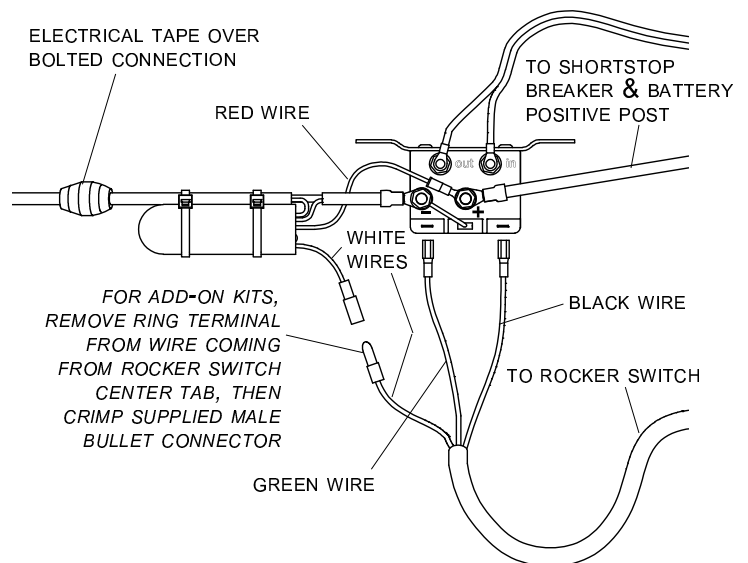
STEP 6: Locate ShortStop™ circuit breaker within 1' of battery positive post. Make jumper wires out of 6-ga. wire (with stripe) for connecting ShortStop™ breaker between positive battery post and positive solenoid post. Connect breaker to positive solenoid post, but do not connect breaker to positive battery post at this time.



STEP 7: Mount rocker switch in cab in convenient location on dash panel or door jamb. Crimp female quick disconnects and connect to rocker switch as shown.



STEP 8: Route 14-ga. 3-conductor cable between rocker switch and solenoid.



STEP 9: Mount solenoid cover over solenoid and tighten fasteners.

STEP 10: Connect ShortStop™ breaker to battery positive post and test operation.

OPERATION

A) Check motor direction by activating switch to "OPEN." If switch is running system backwards, swap green and black quick disconnects on solenoid.

B) Close tarp: Push switch to "CLOSE" and hold. Observe tarp and release switch when tarp is fully closed.

C) Open tarp: Push switch to "OPEN" and hold. Observe tarp and release switch when tarp is fully open, but before it tightens against tarp stops.

NOTE: Release switch at end of cycle or SMART™ circuit breaker will trip. SMART™ breaker will reset after rocker switch is released. SMART™ breaker should always trip before ShortStop breaker™.