



TARPING SYSTEMS & ACCESSORIES

P/N 1126341 Rev. B

# OWNER'S MANUAL



## Premium Belted Roll Tarp for Railcars

*READ BEFORE INSTALLING*

PO BOX 713 ■ 2309 SHUR-LOK STREET ■ YANKTON, SD 57078-0713  
PHONE 1-800-4-SHUR-LOK (1-800-474-8756) ■ FAX 605-665-0501  
[www.shurco.com](http://www.shurco.com)

SHOP ONLINE: [www.shopshurco.com](http://www.shopshurco.com)

**SHIPPING.** Orders are shipped F.O.B. from the Shur-Co®, LLC sites listed below. No full freight is allowed or prepaid shipment accepted unless quoted and approved in writing prior to acceptance of the order. All shipments are made by the most reasonable means in accordance with size and weight of order, unless specified routing instructions are furnished by the customer. Shipments are made daily via U.P.S. and common carrier. Claims for shortages must be made within 10 days. All claims for damages or loss in transit must be made with the carrier. No collect calls will be accepted. To ensure delivery of orders, we need your full street address and phone number. When you receive your shipment, examine it carefully. Be sure all cartons listed on the delivery sheet are accounted for. Large items may be packaged separately. If a carton is damaged, open it and inspect the contents before signing for delivery. If merchandise is damaged, describe damage on the delivery receipt. Failure on your part to document damaged or missing merchandise on the delivery receipt releases the carrier of all liability; repair or replacement will be the customer's responsibility.

**WARRANTY.** We warrant all new products are free of defects in materials and workmanship.\* This warranty is effective if products are properly installed and used for the purpose for which they were intended and applies to the original buyer only. Except as set forth above or in any product-specific warranty documentation, we make no other warranties, express or implied, including but not limited to warranties of merchantability of fitness for a particular use.

Returns of a product for warranty must be accompanied by a Return Merchandise Authorization number (RMA#), obtained by calling Customer Service at 866-748-7435, and sent, with freight paid by us, to Shur-Co®, LLC, 2309 Shur-Lok St., PO Box 713, Yankton, SD 57078. All products returned without an RMA# will be refused. When we issue the RMA#, we will also issue a call tag to have UPS (or other freight company) pick up the product. C.O.D. returns not accepted. We will pay no storage fees for a warranty product return prior to pick by us or the freight company. If a warranty product return is scheduled to be picked up by us, we will pick up the product at our earliest convenience.

If a product returned is found, in our judgement, to be defective in material or workmanship, our obligation under this warranty is limited to the repair or replacement of the product, which will be made by us. Repair or replacement will be at our discretion, with replacements being made using current products performing in the equivalent function. Labor charges, other than those incurred at our factory, including, but not limited to, any labor to install a repaired or replacement product, are not covered under this warranty. All expenses associated with delivering defective products to our factory and delivering repaired or replacement products from our factory to the owner will be paid by us.

If the product returned is found, in our judgement, to be non-warrantable, the owner will be contacted to authorize repair work, purchase of a replacement product or return of the product, all of which will be at the owner's expense. Payment authorization must be received by us before any non-warrantable product is repaired, replaced or returned. All expenses associated with delivering the repaired non-warrantable product, a replacement product or the non-warrantable product from our factory to the owner will be paid by the owner.

In no event will we be liable for any damages of any kind to person, product or property, including but not limited to indirect, incidental, special, consequential or punitive damages, or damages for loss of profits or revenue, even if we have been advised of the possibility of such damages. There are no warranties for used products or products that have been repaired, altered, modified or subjected to misuse, negligence or accident. We will not repair or replace products that fail or malfunction due to ordinary wear and tear, except as expressly noted in a product-specific warranty. Use of non-Shur-Co®, LLC parts in conjunction with Shur-Co®, LLC products will void this product warranty.

\*Certain products have specific warranties that differ from this warranty, for example motors and electronics. Product-specific warranty documentation is available for these items. In the event of a conflict between this warranty and a product-specific warranty, the product-specific warranty will govern.

**RETURN POLICY.** All sales final. See WARRANTY above for return details.

**OTHER.** All prices, product listings, sizes, weights and manufacturing details are subject to change without notice. No person is authorized to modify the foregoing conditions of sale whatsoever.

**SHUR-CO®, LLC SERVICE AND DISTRIBUTION CENTERS**

*Corporate HQ and Outlet Store*

**SHUR-CO® of SOUTH DAKOTA**

2309 Shur-Lok St., PO Box 713  
Yankton, SD 57078-0713  
Ph 800.474.8756 | Fax 605.665.0501

**SHUR-CO® of COLORADO**

10220 Brighton Rd., Unit #1  
Henderson, CO 80640  
Ph 866.355.9173 | Fax 303.289.2298

**SHUR-CO® of NORTH DAKOTA**

1746 4th Ave. NW  
West Fargo, ND 58078  
Ph 877.868.4488 | Fax 701.277.1283

**SHUR-CO® of FLORIDA**

3353 SE Gran Park Way  
Stuart, FL 34997  
Ph 800.327.8287 | Fax 772.287.0431

**SHUR-CO® of OHIO**

1100 N. Freedom, St. Rt. 88 & 14  
Ravenna, OH 44266  
Ph 866.356.0242 | Fax 330.297.5599

**SHUR-CO® of ILLINOIS**

3993 E. Mueller Ave.  
Decatur, IL 62526  
Ph 866.356.0246 | Fax 217.877.8270

**SHUR-CO® of TEXAS**

34505 I-10 West, S. Frontage Rd.  
Brookshire, TX 77423  
Ph 866.689.0039 | Fax 281.934.3311

**SHUR-CO® of IOWA**

3839 Midway Blvd.  
Ft. Dodge, IA 50501  
Ph 866.356.0245 | Fax 515.576.5578

**SHUR-CO® UK, Ltd.**

Unit 41 Rochester Airport Estates  
Laker Rd., Rochester, Kent ME1 3QX  
Ph +44 (0)1795.473499  
Fax +44 (0)871.272.8278

**SHUR-CO® of MICHIGAN**

5100 Lakeshore Dr.  
Lexington, MI 48450  
Ph 800.327.8287 | Fax 772.287.0431

*ShurTite™ Service Centers*

**SHUR-CO® of CANADA**

490 Elgin St., Unit #1  
Brantford, Ontario N3S 7P8  
Ph 800.265.0823 | Fax 519.751.3997

**SHUR-CO® of SIOUX FALLS**

47184 258th St., Suite B  
Sioux Falls, SD 57107  
Ph 844.573.9322 | Fax 605.543.5469

**SHUR-CO® of ILLINOIS**

Ph 866.356.0246 | Fax 217.877.8270

**SHUR-CO® of OHIO**


Ph 866.356.0242 | Fax 330.297.5599

*For more info, log on to our website:*

**www.shurco.com**

**MESSAGE TO OWNERS**

Thank you for buying this tarping system from Shur-Co®. We appreciate your confidence in our products. Please read and thoroughly understand this manual before installing and/or operating this system.

Pay particular attention to important safety and operating instructions, as well as warnings and cautions. The hazard symbol  is used to alert users to potentially hazardous conditions and is followed by caution, warning or danger messages.

Failure to READ AND FOLLOW INSTRUCTIONS could result in failure of your tarping system and/or personal injury. Your trailer requirements may, however, call for minor variations to these instructions.

Please inspect your tarping system periodically. Repair or replace worn or damaged parts to your system.

QUESTIONS? CALL OUR HELP LINE:

**1-866-748-7435**

MON-FRI 8 AM-5 PM CENTRAL TIME

**SAFETY**

We at Shur-Co® are concerned with your safety and the safety of all those operating this system. Therefore, we have provided safety decals at various locations on your tarping system. Keep decals as clean as possible at all times. Replace any decal that has become worn or damaged, painted over or otherwise difficult to read. Replacement decals are available through Shur-Co® dealers.

**SAFETY INSTRUCTIONS**

- 1. Always wear safety glasses during installation.**
- 2. Keep body and clothing clear of moving parts.**
- 3. Do not walk on or stand on end caps.**
- 4. Return bows to secure position after operation.**
- 5. Use only OSHA-approved ladders or scaffolding during installation process.**
- 6. Close tarp securely before traveling at highway speed.**
- 7. No other use of this system is authorized, except as designed.**

**RUST PREVENTION**

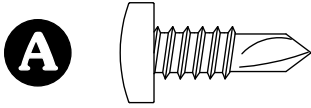
To prevent rust, paint all exposed metal, such as weld seams and/or metal exposed by grinding or cutting, with corrosion-resistant paint.

**TABLE OF CONTENTS**

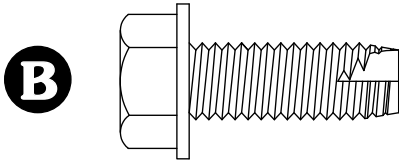
- Box Preparation..... 1
- Hardware Identification..... 1
- Bows ..... 2
- Tarp Installation - Tarp tubes ..... 3-4
- Hold-Downs ..... 4
- Tarp Stops ..... 5
- Ratchet Straps..... 6
- Crank Arm..... 7
- Box Hooks ..... 8
- Crank Retainers..... 8
- Operation & Maintenance ..... 9
- Replacement Parts ..... 10-11
- Options & Upgrades ..... 12

**TOOLS REQUIRED**

1. Welder
2. #3 Phillips Insert Bit or #3 Phillips Screw Driver (use with 13/64" drill bit)
3. #2 Phillips Screw Driver Bit
4. Air or Electric Wrench w/9/16" Socket
5. 9/16" Combination Wrench
6. 3/8" Drill
7. 3/16" Drill Bit
8. 13/64" Drill Bit
9. 1/4" Drill Bit
10. 5/16" Drill Bit (for 3/8" self-tapping screws)
11. 3/8" Drill Bit (for 3/8" cap screws)
12. 13/32" Drill Bit
13. Band Saw or Hack Saw
14. Grinder
15. Hammer
16. C-Clamps
17. Tape Measure



1700398 - Self-Drilling Screw - 1/4" x 3/4"



1700400 - Self-Tapping Screw - 3/8" x 1"

## TARP INSPECTION

**Tarp Length.** Determine tarp length with slight tension applied. Compare actual tarp length with length stated on sheet attached to tarp. If tarp length does not match length on sheet, do not proceed. Call your local dealer or Shur-Co® Customer Service at 1-866-748-7435.

## BOX PREPARATION

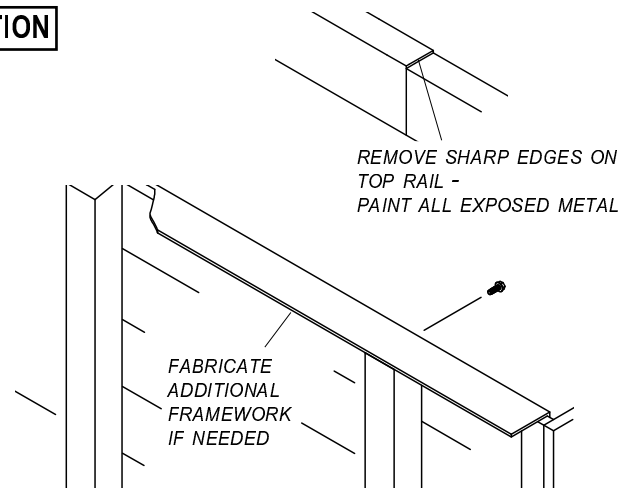
Prepare your box before installing your Shur-Lok® tarping system. Remove or grind any sharp edges smooth to prevent tarp damage. Fabricate additional framework if top rails have gaps that cannot be repaired.

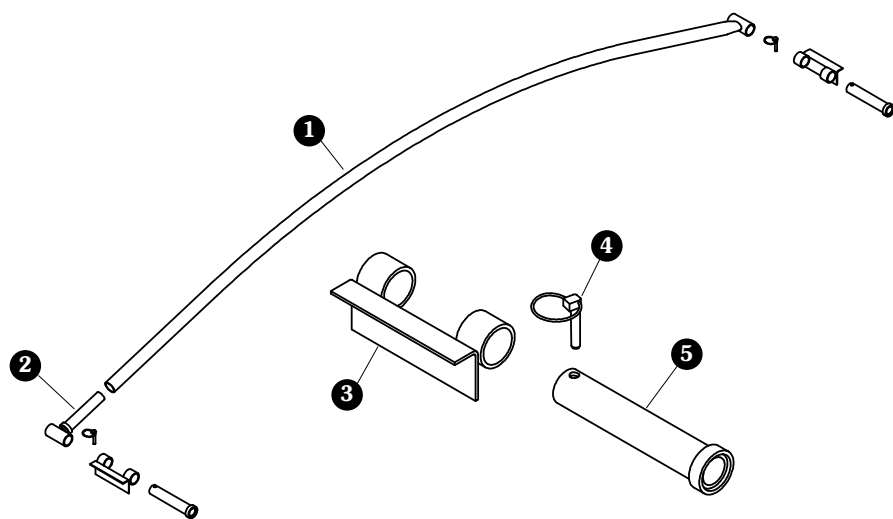
To prevent rust, paint all exposed metal, such as weld seams and/or metal exposed by grinding or cutting, with corrosion-resistant paint.



## CAUTION

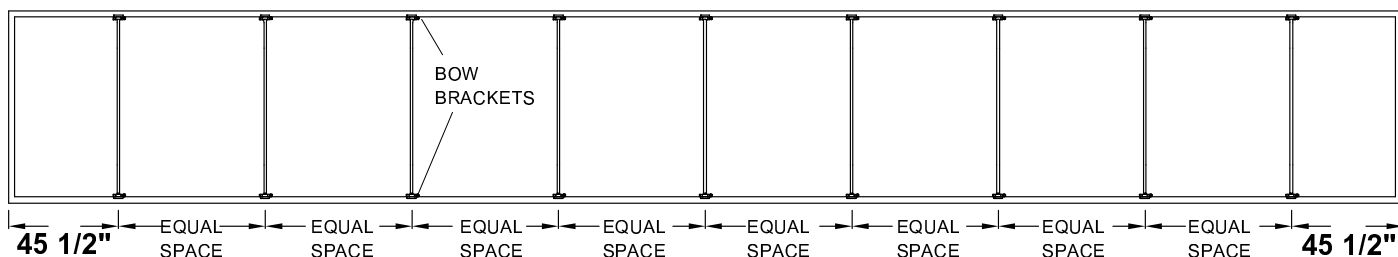
**Box extensions (tip tops), if used, must be secured to truck box. System could blow off if box extensions are not secured to box.**



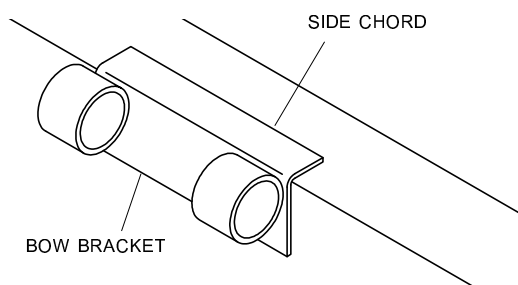


Item	Part #	Description
1.	1108234	High Rise Bow
2.	1104706	Bow Shank
3.	1108237	Bow Bracket
4.	1701098	Lynch Pin
5.	1104123	Bow Pin

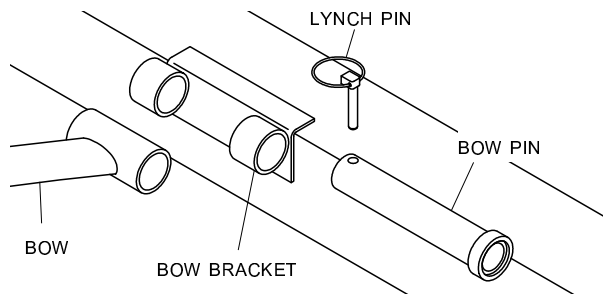
**STEP 1:** Mark bow bracket locations.



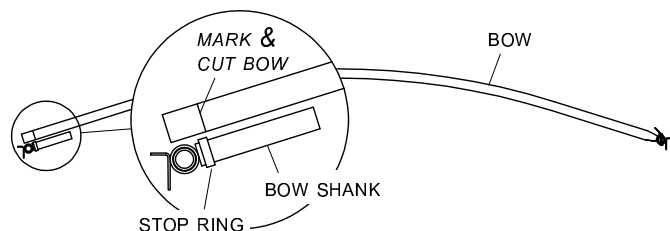
**STEP 2:** Weld bow brackets to side chords at marked locations.



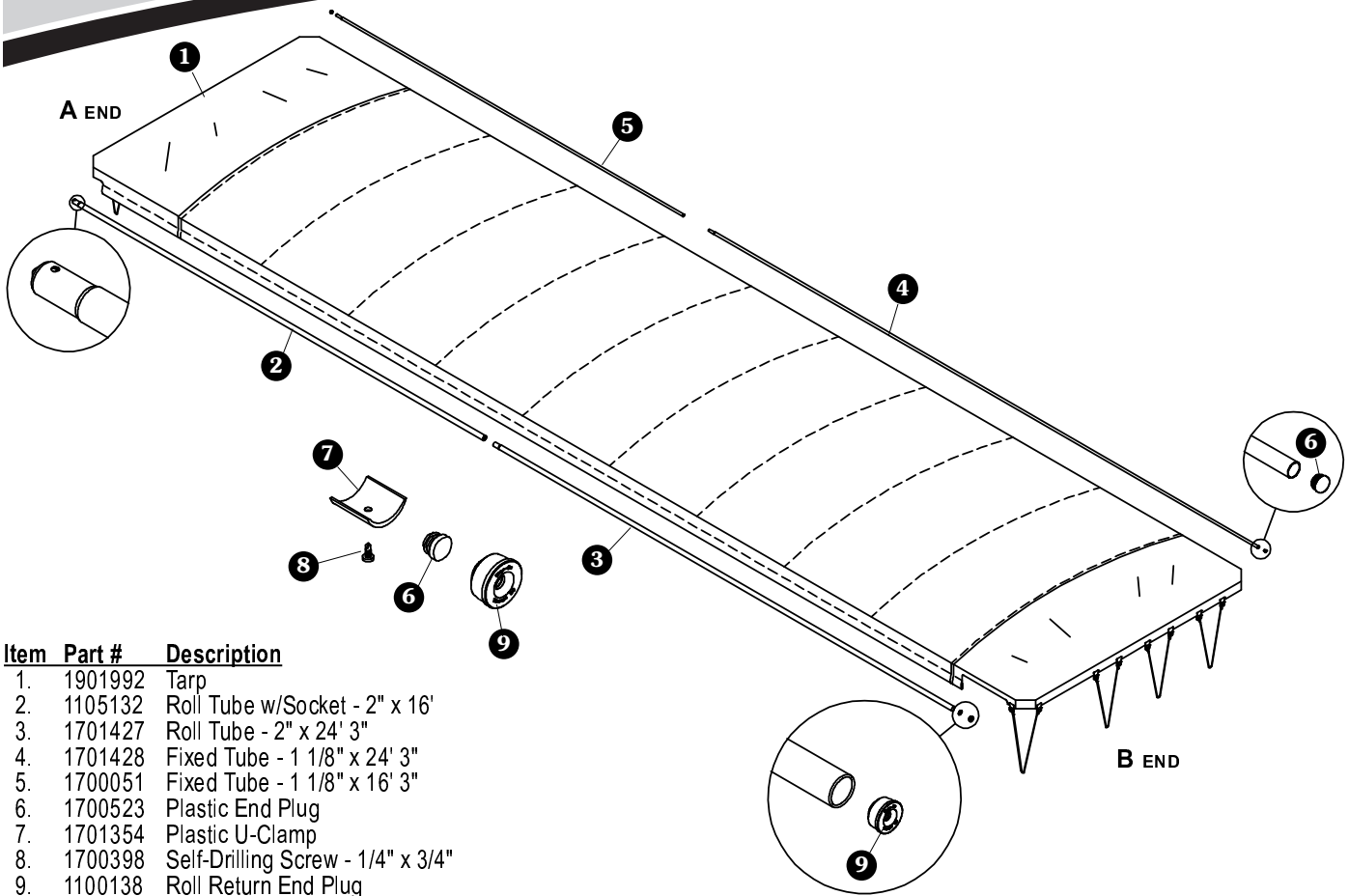
**STEP 3:** Place bow into right side bow bracket. Place loose bow shank in left side bow bracket. Fasten bows into bow brackets with bow pins. Secure with lynch pins.



**STEP 4:** Align bow with bow shank and mark point where bow meets stop ring. Remove and cut bow at marked location. Grind edges smooth and insert bow shank into bow. *Do not weld shank to bow.*



**STEP 5:** Reinstall bows.



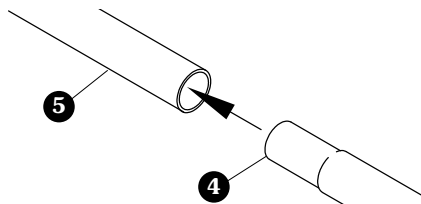
Item	Part #	Description
1.	1901992	Tarp
2.	1105132	Roll Tube w/Socket - 2" x 16'
3.	1701427	Roll Tube - 2" x 24' 3"
4.	1701428	Fixed Tube - 1 1/8" x 24' 3"
5.	1700051	Fixed Tube - 1 1/8" x 16' 3"
6.	1700523	Plastic End Plug
7.	1701354	Plastic U-Clamp
8.	1700398	Self-Drilling Screw - 1/4" x 3/4"
9.	1100138	Roll Return End Plug

**STEP 1:** Open tarp and stretch tight. Measure tarp length and compare with tarp length specified on sheet attached to tarp. Do not proceed with installation if tarp length doesn't match length specified on sheet. Call Shur-Co® or your local dealer for alterations or a replacement tarp.

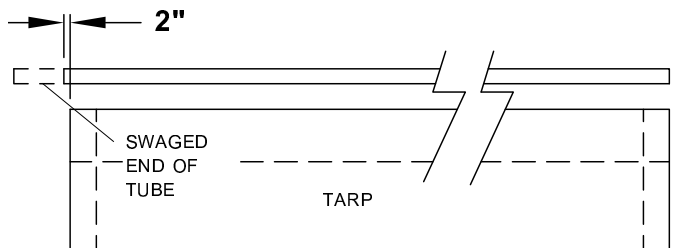
**NOTE:** Tarps cannot be returned at Shur-Co's expense beyond this point. Damaged tarps may be returned for repair or replacement at owner's expense.

**FIXED TUBE**

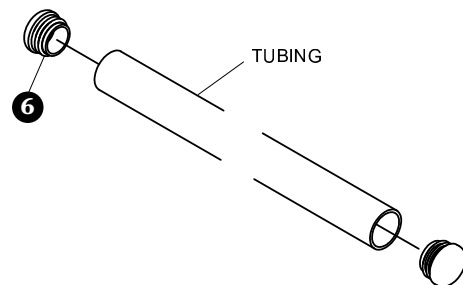
**STEP 2:** Insert swaged end of fixed tube 4 into full end of fixed tube 5. Align tubes, weld and grind smooth.



**STEP 3:** Cut fixed tube weldment 2" longer than tarp, removing swaged end. Grind cut edge smooth.

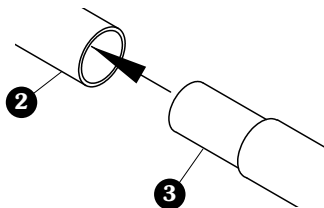


**STEP 4:** Install end plugs 6.

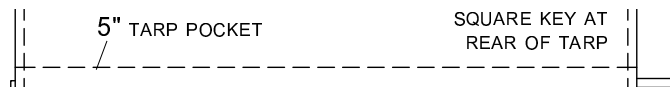


**ROLL TUBE**

**STEP 1:** Insert swaged end of roll tube ③ into full end of roll tube ②. Align tubes, weld and grind smooth.



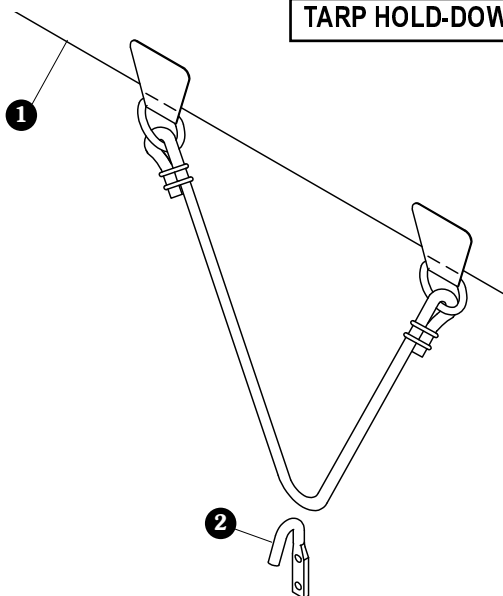
**STEP 2:** Insert roll tube weldment into 5" tarp pocket with square key at rear of tarp.



**TIP:** Inflate 5" tarp pocket with air chuck while inserting roll tube.

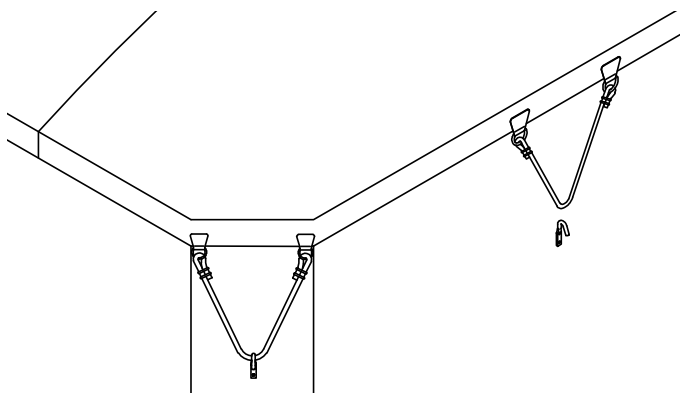
**STEP 3:** Wind tarp completely around roll tube, then lift rolled-up tarp assembly onto fixed tube side of box.

**TARP HOLD-DOWNS**



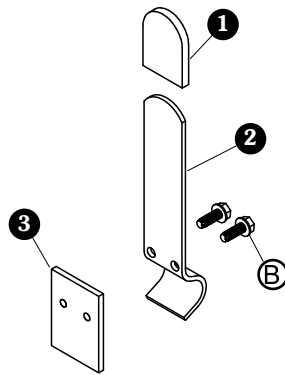
Item	Part #	Description
1.		Tarp
2.	1700682	Box Hooks - 5/16" Holes

**STEP 1:** Locate box hooks so stretch cords will be pulled with at least 10 pounds of force. Weld box hooks in place.

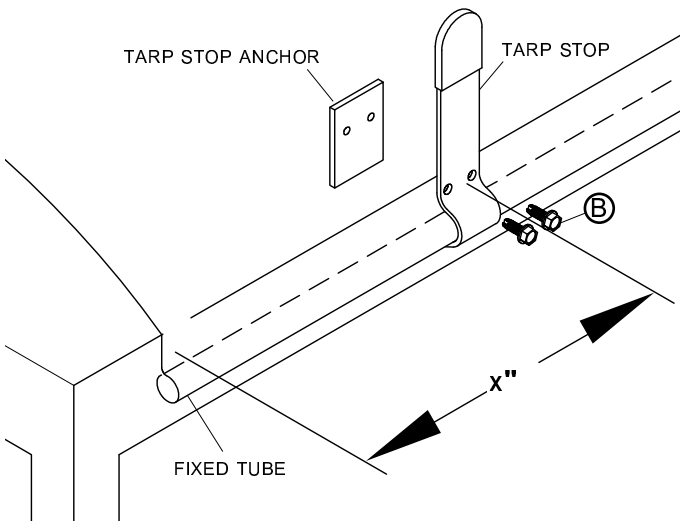


**STEP 2:** Hook stretch cords on tarp over box hooks on railcar.

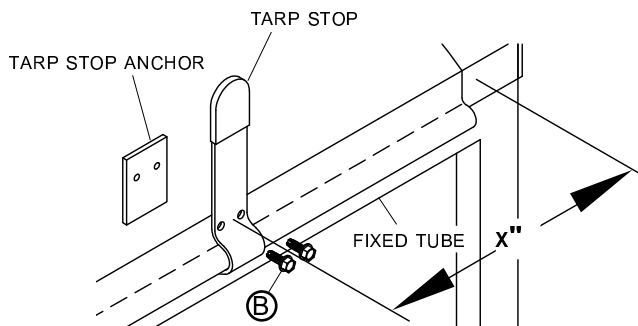
Item	Part #	Description
1.	1700729	Protective Cap
2.	1100049	Standard Tarp Stop
3.	1108238	Tarp Stop Anchor
B.	1700400	Self-Tapping Screw - 3/8" x 1"



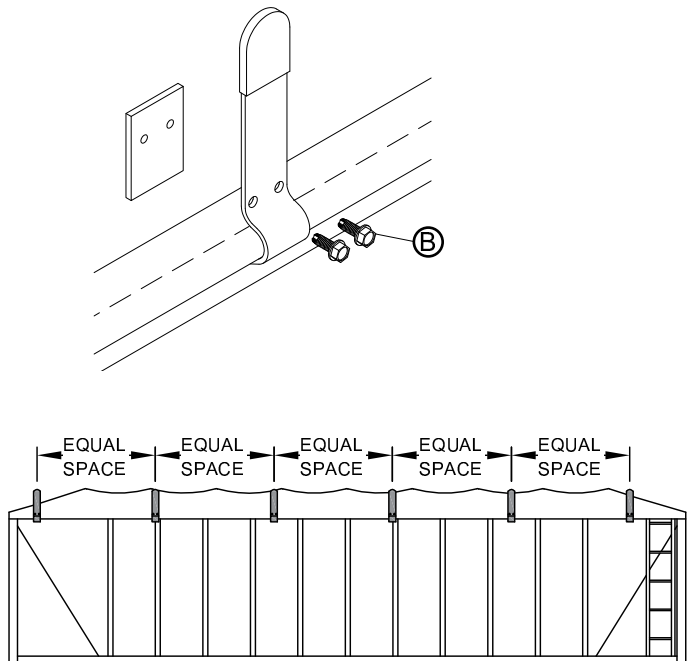
**STEP 1:** Locate first tarp stop x" to x" from B end of tarp. Mark and drill 5/16" holes. Hook tarp stop over fixed tube and fasten to railcar with screws B.



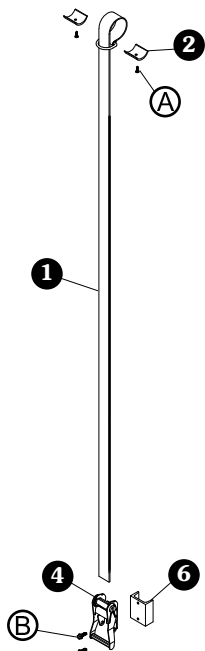
**STEP 2:** Square up tarp on railcar. Locate second tarp stop x" to x" from A end of railcar. Mark and drill holes. Hook tarp stop over fixed tube and fasten to railcar with screws B.



**STEP 3:** Equally space remaining tarp stops. Mark and drill holes and fasten to railcar with screws B.



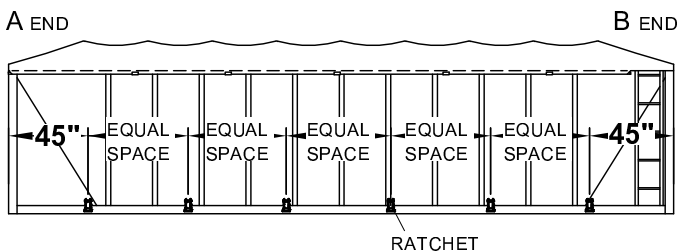




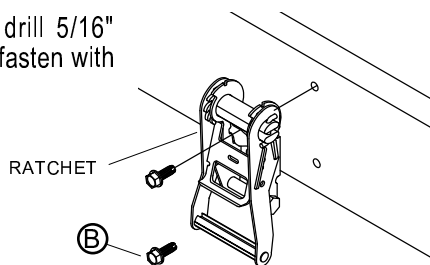
Item	Part #	Description
1.	1100337	Strap Assembly - 10'
2.	1701354	Plastic U-Clamp
3.	1700398	Self-Drilling Screw - 1/4" x 3/4"
4.	1100457	Ratchet - 2"
5.	1700400	Self-Tapping Screw - 3/8" x 1"
6.	1108239	Ratchet Channel

**CAUTION**  
Close tarp and secure ratchets before traveling to prevent tarp from blowing off.

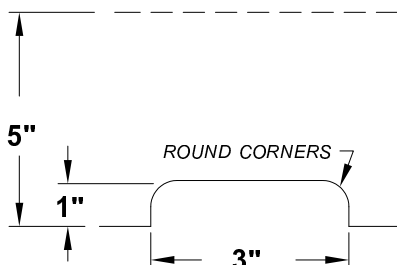
**STEP 1:** Locate first ratchet 45" from B end of railcar at convenient operating height. Locate second ratchet 45" from A end of railcar at same height. Equally space remaining ratchets.



**STEP 2:** Mark and drill 5/16" holes and fasten with screws (B).

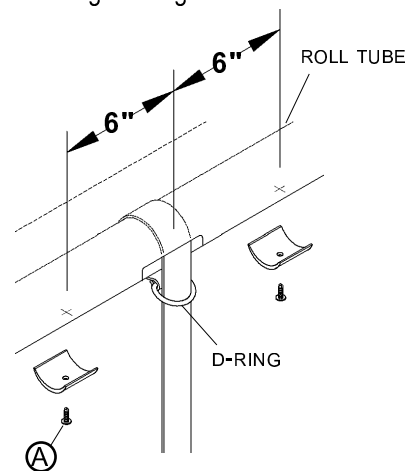


**STEP 3:** Cut 1" x 3" slots along bottom of 5" tarp pocket directly above ratchets. Round corners of slots with scissors.



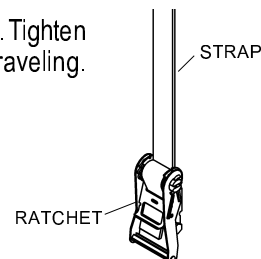
**STEP 4:** Extend roll tube 2" to 4" past farthest obstruction on B end of railcar. At A end, cut roll tube to extend 1" past A end of tarp pocket. Grind cut edge smooth.

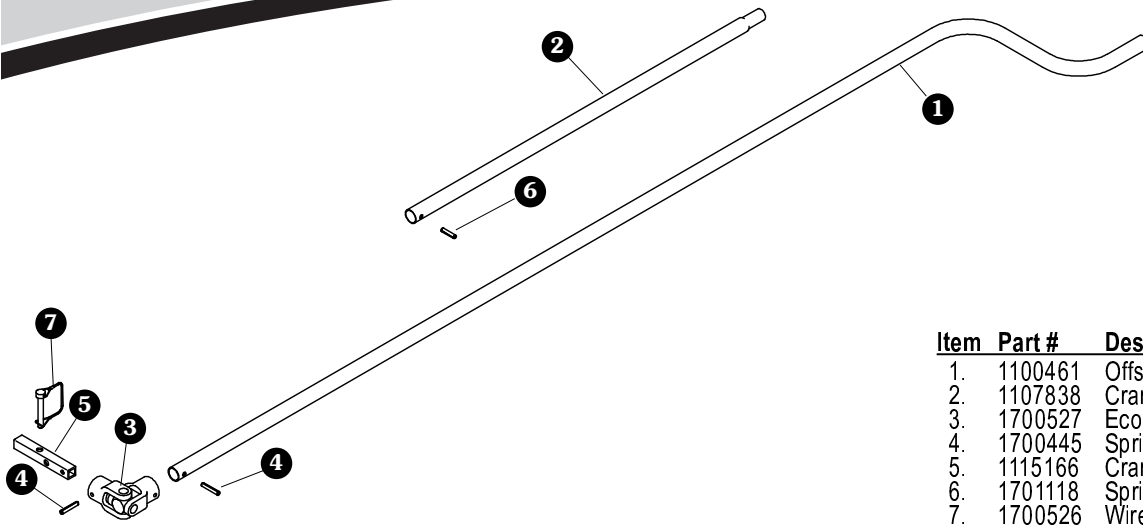
**STEP 5:** Thread straps or cables through slots, around roll tube and through D-ring.



**STEP 6:** Mark U-clamp hole locations on both sides of cables or straps, 6" from center. Fasten U-clamps to roll tube and tarp with screws (A).

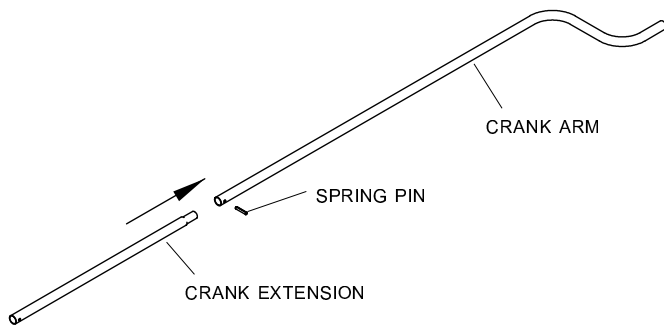
**STEP 7:** Secure straps to ratchets. Tighten straps securely before traveling.



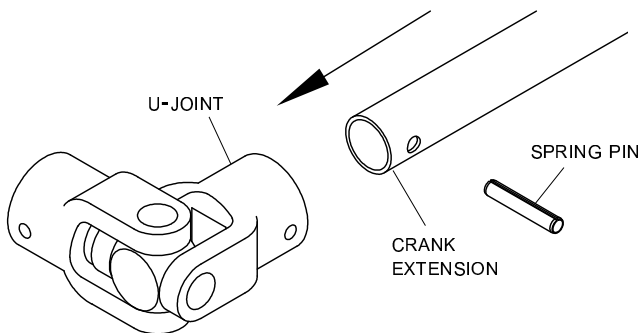


Item	Part #	Description
1.	1100461	Offset Crank Arm
2.	1107838	Crank Extension - 33"
3.	1700527	Econo U-Joint
4.	1700445	Spring Pin - 1/4" x 1 3/16"
5.	1115166	Crank Key
6.	1701118	Spring Pin - 1/4" x 1 3/16"
7.	1700526	Wire Lock Pin - 3/8" x 2 1/2"

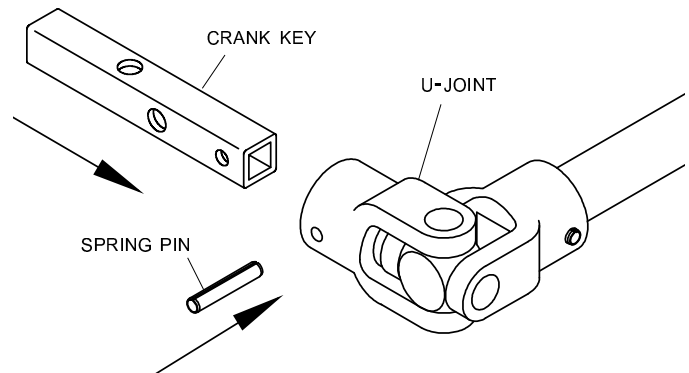
**STEP 1:** Insert crank extension into crank arm. Fasten with 1/4" x 1 3/16" spring pin.



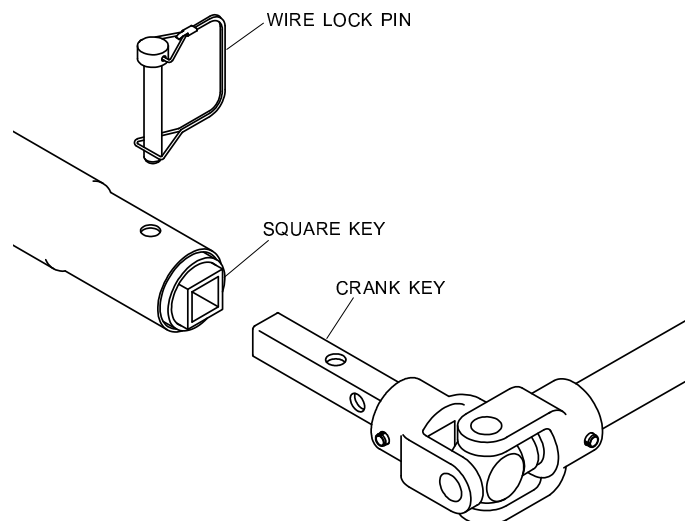
**STEP 2:** Insert crank extension into U-joint. Secure with 1/4" x 1 1/2" spring pin.

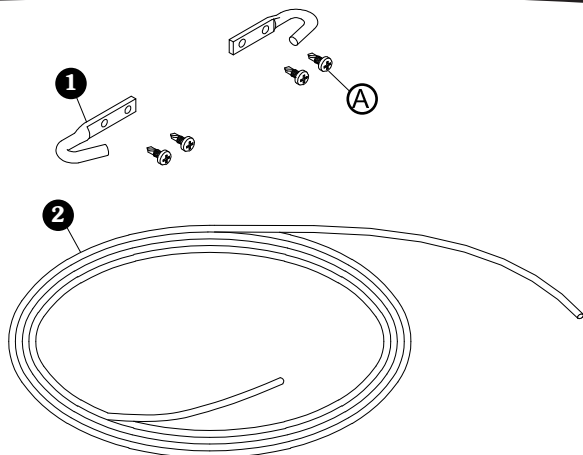


**STEP 3:** Insert crank key into U-joint. Secure with 1/4" x 1 1/2" spring pin.



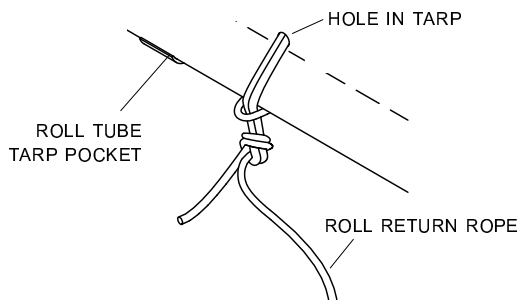
**STEP 4:** Insert crank key into square key on roll tube at B end of railcar. Align holes and fasten with wire lock pin.



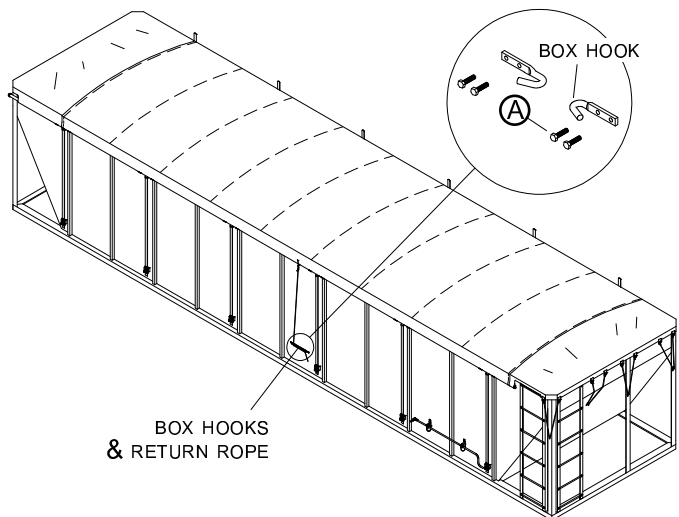


Item	Part #	Description
1.	1700682	Box Hook - 5/16" Holes
2.	1100469	Rope - 32'
A.	1700398	Cap Screw - 1/4" x 3/4"

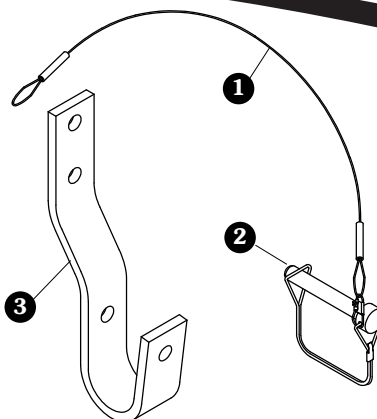
**STEP 1** Melt hole in roll tube side of tarp at center of railcar. Tie loop in end of rope return and thread loop through hole. Pull loose end of rope through loop.



**STEP 2:** Locate box hooks where ratchet operation will not be obstructed. Mark and drill 3/16" holes and fasten with screws **A**.

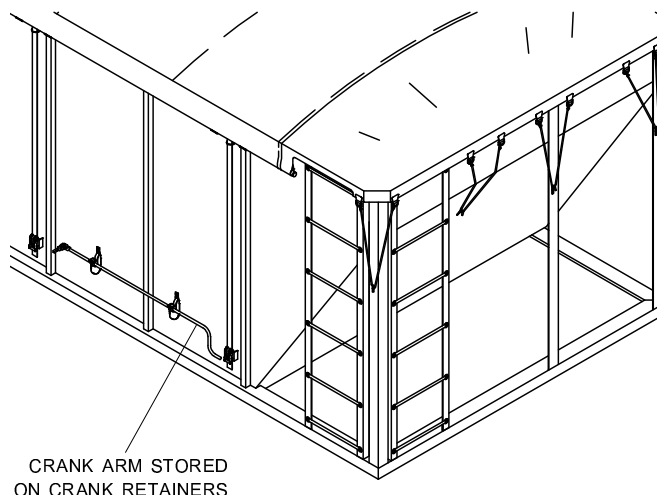


**STEP 3:** Wrap return rope around box hooks for storage while tarp is closed.

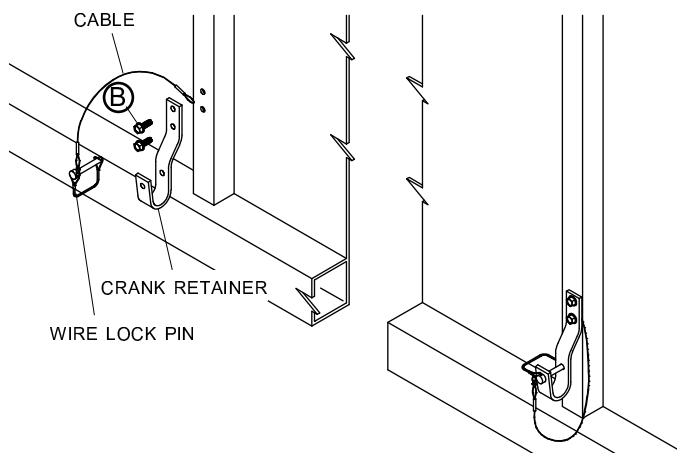


Item	Part #	Description
1.	1100574	Cable w/#5 Interlock Snap
2.	1700526	Wire Lock Pin - 3/8" x 2 1/2"
3.	1101930	Offset J-Hook

**STEP 1:** Locate and align crank retainers (2) in convenient location to store crank arm.



**STEP 2:** Mark and drill holes and fasten crank retainers and cables to railcar with screws **B** as shown.



The Premium Belt & Ratchet system is designed to provide years of reliable service. Follow installation instructions, maintenance schedule and operating instructions provided to receive years of service from your PBR system. Incorrect operation or lack of maintenance can severely impair operation of the system and cause premature tarp and cable wear.

**Maintenance Schedule**

**Perform the following procedures every 2 to 4 weeks:**

1. Inspect tarp - repair any tears, cuts or worn areas.
2. Inspect hardware - securely tighten any loose fasteners.

**Operating Instructions - Manual Crank****To uncover load:**

1. Release hold-down straps from all ratchets.
2. Unwrap rope return from storage hooks.
3. Remove crank from crank retainers and insert square key into square end of roll tube.
4. Turn crank clockwise until tarp is rolled up against tarp stops.
5. Detach crank from roll tube and place crank back into crank retainers.

**To cover load:**

1. Pull rope return to roll tarp closed.
2. Store rope return by wrapping rope around storage hooks.
3. Connect hold-down straps to ratchets and tighten until tarp is correctly tensioned.

**Operating Instructions - Fixed Crank****To uncover load:**

1. Release all hold-down straps from ratchets.
2. Release crank from crank retainer.
3. Turn crank clockwise until tarp is rolled up against tarp stops.
4. Return crank to crank retainer.

**To cover load:**

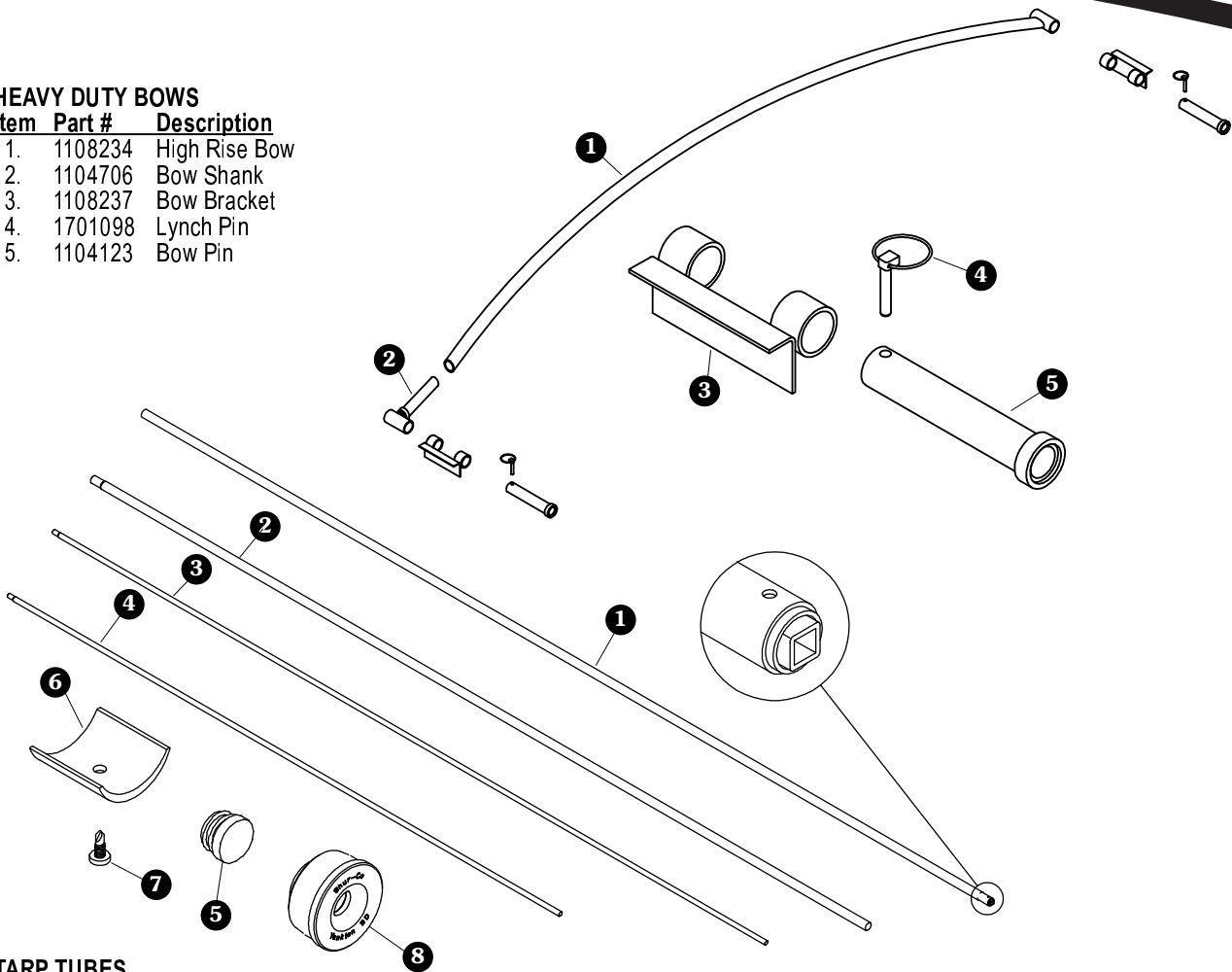
1. Remove crank from crank retainers.
2. Turn crank counter-clockwise until tarp is hanging over edge of trailer, completely unrolled.
3. Return crank to crank retainers.
4. Connect hold-down straps to ratchets and tighten straps until tarp is correctly tensioned.

**Always keep cover closed** except when loading or unloading, to extend life of PBR system.

**Open cover** when unloading railcar. Unloading railcar with cover closed will create a vacuum which could damage system.

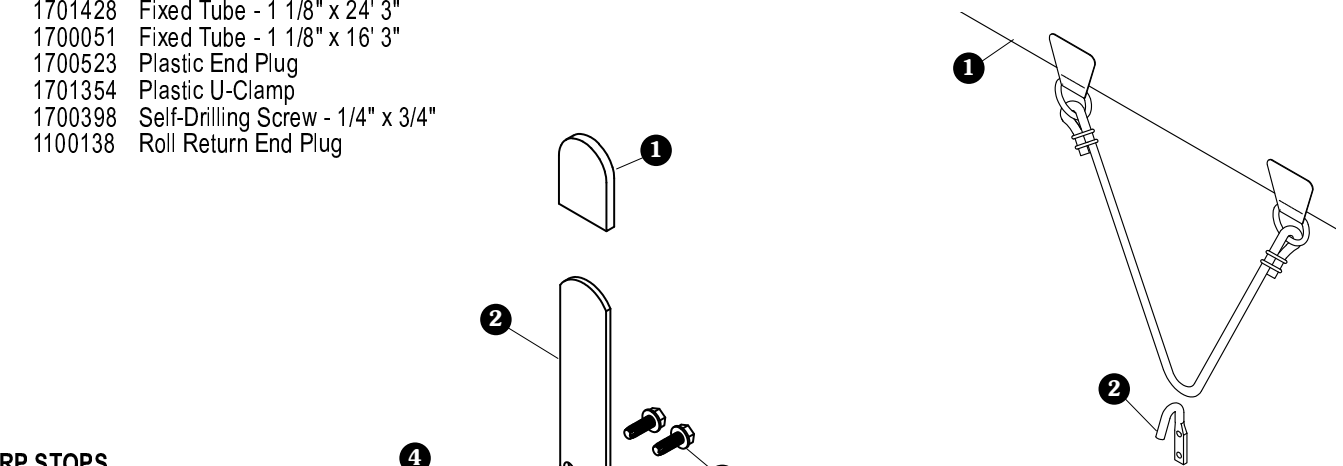
**HEAVY DUTY BOWS**

Item	Part #	Description
1.	1108234	High Rise Bow
2.	1104706	Bow Shank
3.	1108237	Bow Bracket
4.	1701098	Lynch Pin
5.	1104123	Bow Pin



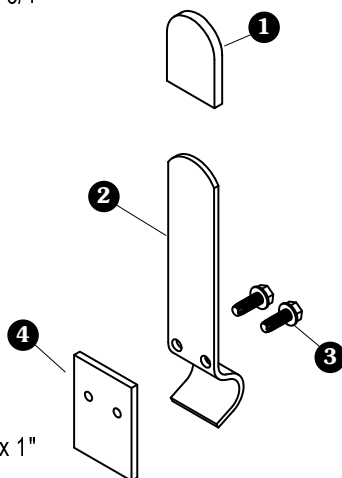
**TARP TUBES**

Item	Part #	Description
1.	1105132	Roll Tube w/Socket - 2" x 16'
2.	1701427	Roll Tube - 2" x 24' 3"
3.	1701428	Fixed Tube - 1 1/8" x 24' 3"
4.	1700051	Fixed Tube - 1 1/8" x 16' 3"
5.	1700523	Plastic End Plug
6.	1701354	Plastic U-Clamp
7.	1700398	Self-Drilling Screw - 1/4" x 3/4"
8.	1100138	Roll Return End Plug



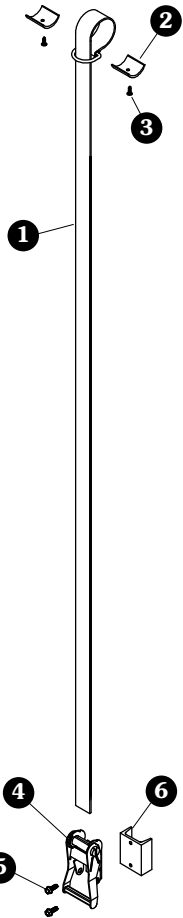
**TARP STOPS**

Item	Part #	Description
1.	1700729	Protective Cap
2.	1100049	Tarp Stop
3.	1700400	Self-Tapping Screw - 3/8" x 1"
4.	1108238	Tarp Stop Anchor Plate



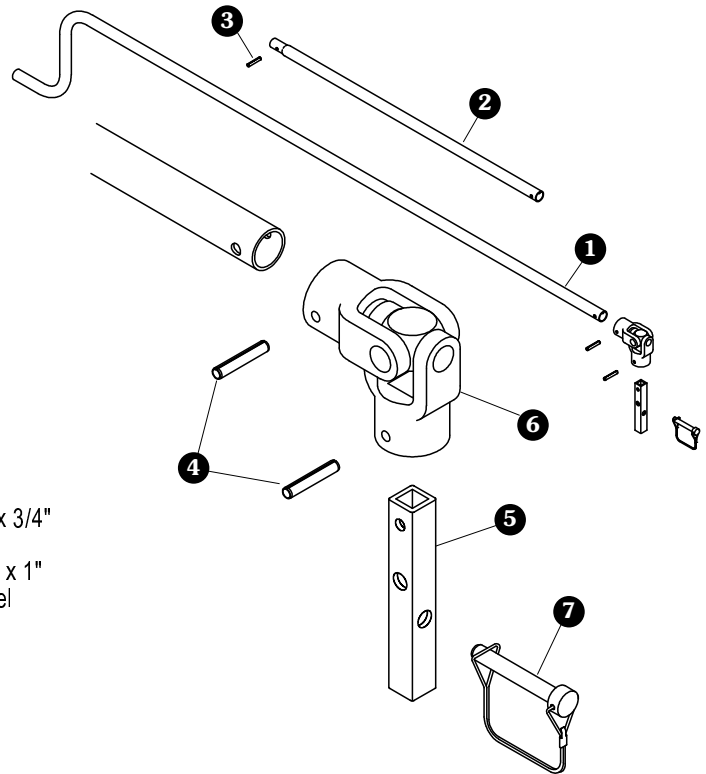
**TARP & BOX HOOKS**

Item	Part #	Description
1.	1202217	Tarp - 144" x 44' 5"
2.	1700682	Box Hook - 5/16" Holes



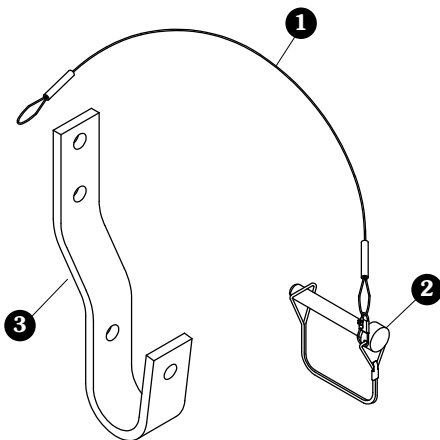
**HOLD-DOWNS - BELT' N RATCHET**

Item	Part #	Description
1.	1110337	Strap Assembly - 10'
2.	1701354	Plastic U-Clamp
3.	1700398	Self-Drilling Screw - 1/4" x 3/4"
4.	1100457	Ratchet - 2"
5.	1700400	Self-Tapping Screw - 3/8" x 1"
6.	1108239	Ratchet Mounting Channel



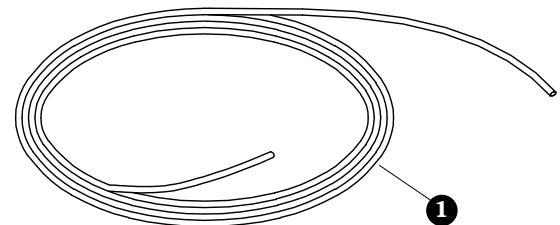
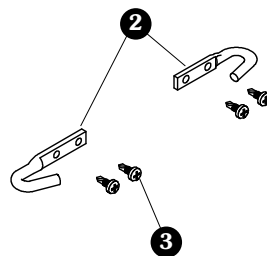
**CRANK ARMS**

Item	Part #	Description
1.	1100461	Offset Crank Arm
2.	1107838	Square Crank Extension - 33"
3.	1701118	Spring Pin - 1/4" x 1 3/16"
4.	1700445	Spring Pin - 1/4" x 1 1/2"
5.	1105166	Crank Key
6.	1700527	Econo U-Joint
7.	1700526	Wire Lock Pin - 3/8" x 2 1/2"



**CRANK RETAINERS**

Item	Part #	Description
1.	1100574	Cable w/#5 Interlock Snap
2.	1700526	Wire Lock Pin - 3/8" x 2 1/2"
3.	1101930	Offset J-Hook



**ROPE RETURNS**

Item	Part #	Description
1.	1100469	Rope - 32"
2.	1700682	Box Hook - 5/16" Holes
3.	1700398	Self-Tapping Screw - 1/4" x 3/4"

**STANDARD TARP REPAIR KIT**

Shur-Co's standard tarp repair kit comes complete with adhesive, cleaner, 10 sq. ft. of tarp material (specify color) and instructions.

**PROFESSIONAL TARP REPAIR KIT**

Shur-Co's professional tarp repair kit repairs your tarp using the heat-seal method. No messy adhesives or solvents. This kit includes heat gun, scissors, roller, 12' of 18-oz. or 22-oz. repair tarp (specify color) and instructions.

**TARP OPTIONS**

22-oz. heavy-duty fabric, multicolored tarps, personalized tarps, reinforcements, extra length or width and 13 vibrant colors available.

# MORE QUALITY PRODUCTS FROM SHUR-CO®

---

- **Genuine Replacement Tarps**
- **Genuine Replacement Parts**
  
- **Agriculture Products**
  - *The Original Shur-Lok®*
  - **Shur-Lok® Junior**
  - **Premium Belt 'n Ratchet**
  - **Cable-Lok™**
  - **Turning Point™ Bow**
  - **Tater-Top™**
  
- **SMARTrailer™ Accessories for Agriculture Products**
  - **SMART2™ Remote**
  - **SMART1 +™ Remote**
  - **4500 Series HD Electric**
  - **Electric Shur-Lok®**
  - **AutoTrap™ Hopper Opener**
  - **ProTrap® Hopper Opener**
  - **Electric Gate & Hoist**
  - **LiteALL™ Work Lights**
  - **Cable-Lok™ Electric Upgrade**
  - **Electric Turning Point™ Bow**
  - **Solar Power Pack**
  
- **Flatbed Products**
  - **ShurTite™ Retractable Tarps**
  - **Stock Lumber & Steel Tarps**
  
- **Custom Products**
  - **Fitted Truck Covers**
  - **Flat Utility Tarps**
  - **Bean Drill Covers**
  - **Gustbuster™ Tarp Cords**
  
- **Construction Products**
  - *The Original Shur-Lok®*
  - **Shur-Trak II™**
  - **Cover-Pro II®**
  - **Turning Point™ Bow**
  - **IronSide™ Side-Dump System**
  - **Arm-Matic™**
  - **DuraPull™**
  - **Econo-Pull™**
  - **Turbo Tarp2™**
  - **2000 Series**
  - **5000 Series**
  - **Hammer™**
  - **Bullet™**
  - **Flash™**
  - **Long Arm™**
  
- **SMARTrailer™ Accessories for Construction Products**
  - **4500 Series HD Electric w/Gate Flex™**
  - **Shur-Trak II™ Electric Upgrade**
  - **Cover-Pro II® Electric Upgrade**
  - **Electric Turning Point™ Bow**
  - **Solar Power Pack**
  
- **Waste Products**
  - **SWAT™**
  - **The Ox™**
  - **Quick-Flip III™**
  - **Sidewinder™**
  - **Sidewinder™ 350**
  - **HyTower™ SL**
  - **HyTower™ DL**
  - **Double-Flip™**

TARPING SYSTEMS & ACCESSORIES

