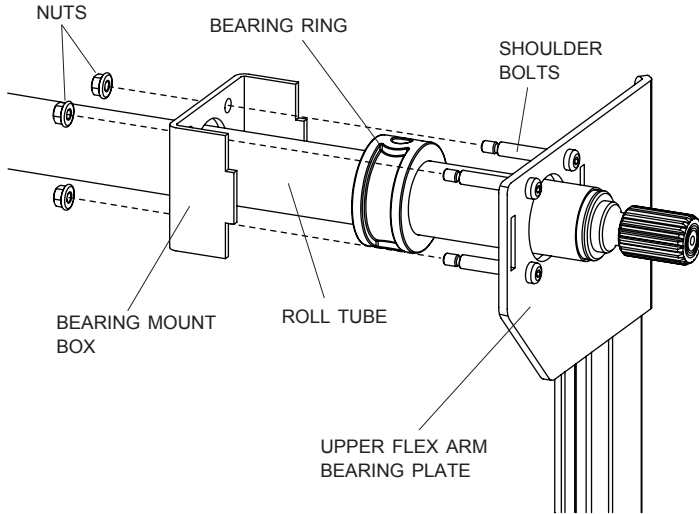


STEP 1: Insert roll tube through bearing mount box, bearing ring and upper flex arm bearing plate, making sure arm is parallel with side of trailer. Fasten with shoulder bolts and nuts anchoring bearing ring between bolts.



STEP 2: Turn bearing ring slightly to avoid using existing holes, drill two 3/16" holes and fasten rivets.

