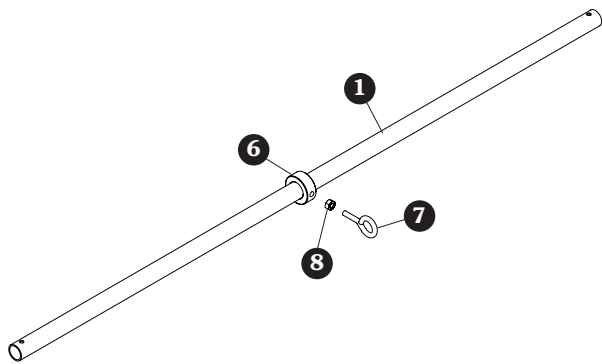
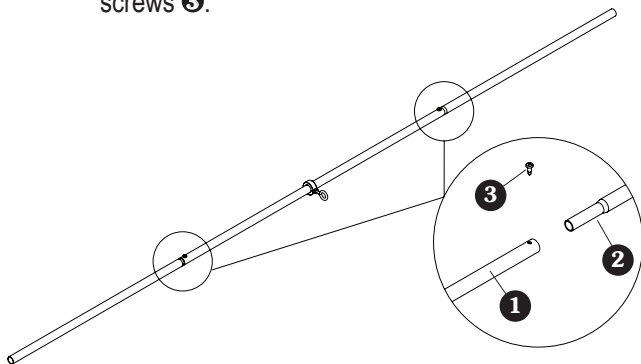


Item	Part #	Description
1.	1809830	Center Pull Bar
2.	1702524	Swagged Tubing
3.	1700398	Self-Drilling Screw - 1/4" x 3/4"
4.	1809833	Pull Bar End Cap
5.	1701595	End Plug
6.	1800017	Shaft Collar
7.	1700782	Eye Bolt - 5/16" x 1-1/4"
8.	1800765	Hex Nut - 5/16"

STEP 1: Slide shaft collar 6 to center of bar tube 1 and tighten eye bolt 7, lock in place with nut 8.



STEP 2: Insert tube ends 1 and 2, secure with self drilling screws 3.



STEP 3: Slide assembled pull bar into tarp pocket. Cut 1/4" slot in center of pocket for eye bolt 7 to slide through. Place end caps 4 centering pull bar on trailer. Tighten set screws after applying Loctite™. Trim pull bar if needed. Insert plastic end plugs 5.

