



# SHUR-LOK® ROLL TARP SYSTEM

A001PG-0721

Shur-Co® History	pgs. 2-3
Invention of the Shur-Lok®	pgs. 4-5
Shur-Lok® for Grain Carts	pgs. 6-7
Shur-Lok® for Farm Bodies	pgs. 8-9
Shur-Lok® for Tenders and Spreaders	pgs. 10-11
Shur-Lok® for Grain Trailers	pgs. 12-13
Shur-Lok® Double Tarp System	pgs. 14-15
Shur-Lok® for End Dumps	pgs. 16-17
Shur-Lok® for Open-Top Vans	pgs. 18-19
Shur-Lok® Junior	pg. 20
Premium Belt 'n Ratchet	pgs. 21-23
Features and Options	pgs. 24-27
Box Detail Sheets	pgs. 28-31
Genuine Shur-Co® Replacement Parts	pgs. 32-62
Terms and Conditions	pg. 63

## WHAT OUR CUSTOMERS SAY

“ I am 100% satisfied with Shur-Co®. As far as I'm concerned, there is only one tarp on the market! I've been farming for 25 years, and I've got Shur-Loks on my hopper-bottom trailers, seed wagons and grain carts. I'm an honest type of fellow and would be happy to tell you if your product could be improved upon, but I can't think of a thing!”

– Don Richey, Cypress Creek Farms, Central City, KY

“ It's like I'm always telling my customers, 'Buy the best or I'll fix the rest.' Whenever someone asks for my recommendation, I say, 'Put on a Shur-Co®; you won't be back for repairs.' Then I say, 'But I'll be glad to fix the other brands – it's up to you.' Also, my customers love the ease and convenience of your SMARTrailer™ electric accessories!”

– Tim Harms, President, Harms Trucking Co., Minooka, IL

“ The Shur-Co® representative that I spoke with on the phone was well educated on many aspects of the Shur-Co® product line, as well as their replacement parts, which didn't leave me struggling to explain or second guessing myself. I can't say enough great things about Shur-Co®. Every single experience I've had with them has been excellent!”

– Tyler Volp, K&D Rivers, Omro, WI

“ I've always held Shur-Co® products in the highest regard. With my technical background, I am especially pleased that, when the company introduces a new product, it's always engineered right the first time. This means their customers will get the best possible performance, something that's not always true with other brands.”

– Greg Smith, Triangle Truck Center, Monroe, WI

“ I have used Shur-Co® and have seen firsthand the importance they place in regards to getting my equipment in and repaired and back on the road. As a business owner, it is important to me to have such a relationship with a business that puts quality not only in their products, but in their customer service as well.”

– Brad Olek, BJC Industries, Moorhead, MN

“ I have been amazed at the professional service I have received from Shur-Co® – nice people to deal with and very fast delivery! A lot of vendors nowadays lack in customer service, but I found Shur-Co's customer relations business plan matched mine. I have been purchasing tarps and supplies from Shur-Co® for close to 20 years. Neither myself nor my purchasing agents have ever had a confrontation or elevated issue. Any problems were handled with a professional attitude and corrected in a manner that satisfied both parties. The quality of Shur-Co's materials and workmanship has been top notch. It's been an excellent business relationship, to say the least.”

– Mark O'Nory, Industrial Transportation Services, Golden, CO

“ I ordered an Original Shur-Lok® tarping system, and it arrived exactly as scheduled. And once the system was installed on my grain cart, it worked very well. All necessary parts and instruction were there, and the Shur-Co® rep that I worked with was very knowledgeable and helpful.”

– Darrin Marshall, Rio, WI

“ The Shur-Co® representative that I spoke with on the phone was extremely helpful at making sure I had the right measurements for my Original Shur-Lok®, and the system was shipped to me very quickly. Just all around, I've received great customer service from Shur-Co®.”

– Matt Cavenee, Miller, SD

If you have comments on Shur-Co® products, please send them to Shur-Co® Marketing, 2309 Shur-Lok St., Yankton, SD 57078.

## COMPANY TIMELINE

- 1954 A shoe repair shop opens in Wahpeton, ND, moves into tarp repair and then new tarps.
- 1969 Growing tarp demand results in the creation of Wahpeton Canvas Company (WCCO).
- 1980 *The Original Shur-Lok®* roll tarp is born. The simple, yet reliable invention revolutionizes the tarping industry.
- 1992 The truck cover division of the company splits off from WCCO and relocates to Yankton, SD.
- 1996 A name change to Shur-Co® more closely identifies the company with the Shur-Lok®, its best-known product.
- 2000 Shur-Co® enters the auto accessories field with its TruXedo® line (to be spun off as its own company in 2007 under new ownership).
- 2001 Acquisition is made of a highly automated metal fabrications operation.
- 2003 Shur-Co® is named South Dakota's Family Business of the Year.
- 2006 Shur-Co® moves into trailer automation with the launch of the 3500 Series electric upgrade for the Shur-Lok®. Like the introduction of the Shur-Lok® itself, 40 years ago, the 3500 is unlike anything in the electric tarp market.
- 2008 State-of-the-art expansion allows Shur-Co® to keep up with increasing product demand, bringing the company's total manufacturing area to 150,000 square feet.
- 2009 The ProTrap® electric hopper opener and five-channel SMARTransmitter® are launched to complement the 3500, for an expanded line of SMARTrailer™ products.
- 2010 Shur-Co®, LLC is formed with the existing management team, sparking unprecedented growth and global market expansion.
- 2012 More products join the Shur-Co® lineup: SMART2™ and SMART1+™ remotes, 4500 Series HD electric tarp, LiteALL™ work lights, DuraPull™ semi-auto pull tarp and IronSide™ side dump system. Later in the year, Shur-Co® acquires Donovan Enterprises, a top name in waste and construction tarp systems, with locations in Michigan, Florida and the UK – positioning Shur-Co® for global growth.
- 2014 Roll-Tite™ is acquired and rebranded as ShurTite™ – an industry-leading retractable tarp system for flatbed trailers, dropdecks, straight trucks and specialty vehicles.
- 2015 Global expansion continues as Shur-Co® sells products to over 30 countries on 6 continents.
- 2016 Growth continues as a branch dedicated to ShurTite™ installs and repairs opens in Sioux Falls, SD. Shur-Co® of ND moves into a new 24,000 square foot facility in West Fargo. Shur-Co® of IL relocates to a new 16,000 square foot facility in Decatur.
- 2017 Shur-Co® rolls out its SWAT® system for roll-off trucks and trailers in the waste market and the Tater-Top™ roll tarp for potato trailers. The company also celebrates 25 years in its Yankton, SD location.
- 2018 Shur-Co's continued focus on innovation adds additional products to its SMARTrailer™ line: the Electric Gate and Hoist and DriveMaxx™ Swing Auger Drive Kit.
- 2019 Shur-Co® opens a branch in Caldwell, Idaho. Shur-Co® adds the 4500 HD for grain cart applications, the AutoGate™ Gate Runner, TrapAdapt™ Manual Hopper Opener and Service Truck Power Kits.
- 2020 The Sioux Falls & Iowa operations are consolidated to new full-service branch located in Vermillion, SD.





## SUPERIOR MATERIALS AND WORKMANSHIP

**Shur-Co® proudly serves our customers with 10 sales, service and distribution locations throughout North America, plus an ever-expanding global presence. We have the best-designed, best-engineered and best-built tarping systems on the market.**

Our 150,000 square foot production site has its own dedicated tarp and metal fabrication facilities, giving us complete control over the products we produce. Exacting workmanship is key; our employees have a strong Midwest work ethic and are willing to go the extra mile to provide customers with a superior-quality product. They take pride in their jobs, and their dedication and attention to detail has earned us the respect of the tarping industry.

Shur-Co® never cuts corners. For our tarps, we use the finest solid vinyl-coated fabric with built-in UV inhibitors to reduce sun damage and fading. Each lot is lab tested for tear strength, abrasion resistance and cold-temperature flexibility.

Shur-Co® quality shows, even in the smallest details: Reinforced stitching adds strength at stress points, reducing the likelihood of tears. Seams are heat welded for a watertight bond between panels; the added thickness creates an improved moisture barrier. Roll tubes, fixed tubes and bows are made from Gatorshield™ galvanized steel tubing, with 50 percent more zinc than standard galvanized processes, ideal for high-moisture applications. All other steel components are plated to stand up to harsh road treatment chemicals. Aluminum, stainless steel and powder-coated parts are also available – and many come standard – when added protection is needed for corrosive environments.





# THE PRODUCT THAT CHANGED AN INDUSTRY



## THE FIRST ROLL TARP ON THE MARKET

Before the Shur-Lok®, tarping farm trucks meant using fitted tarps held by ropes that ran through D-rings or bungees clipped to box hooks on the rub rail. Every time the tarp was put on or taken off, these had to be tied or untied, hooked or unhooked.

Development of the Shur-Lok® began in the fall of 1978 at the Wahpeton Canvas Company in Wahpeton, ND. It was the brainchild of engineer Jerry Dimmer and his engineering team.

Bringing the Shur-Lok® to market was a multi-step process. First, a universal design for end caps that would work on any truck box was needed. Next, a roll tube was inserted into a pocket on the fixed side of the tarp to hold it to the box, with brackets that acted as tarp stops. A larger tube in a pocket on the other side rolled the tarp. A steel plate running the length of the box, dubbed the latchplate, gave the roll tube something to push against. This tightened the tarp as it rolled, with a universal joint to relieve tension at the point of contact.

Once completed, the Shur-Lok® made one-person operation simple. The tarp was opened by removing the crank from a retaining bracket and cranking the system toward the tarp stops. When the tarp rolled closed, the tube and tarp would snug up under the latchplate and lock into place when the crank was returned to the retaining bracket.

In 1992, the company (renamed Shur-Co® to better identify with its most famous product) relocated to Yankton, SD to be closer to its core market of grain trailer manufacturers.





## OVER 40 YEARS LATER – STILL THE BEST!

Today's Shur-Lok® remains remarkably faithful to the original. In addition to farm bodies, it's been adapted for grain trailers, grain carts, tenders, spreaders and end dumps. A super-economical version for small wagons, the Shur-Lok® Junior, has caps built into the tarp.

Efficiencies have been factored in along the way; the gauge of steel has been increased on the crank extensions and to reinforce the U-joint. The steel parts, originally put through a dip tank and paint booth, are now plated for exceptional corrosion protection, and aluminum, stainless steel and powder-coated components are also available.

High-speed computer numeric control (CNC) technology has streamlined the manufacturing process. The first Shur-Lok® tarps were painstakingly tape measured and cut, with sew lines drawn on the material by hand. Now, tarps are precision cut to pattern for consistency, lower cost and shortened lead times.

These product improvements and process enhancements have allowed Shur-Co® to remain the industry leader, topped off by our dedication to complete customer satisfaction. Every Shur-Lok® tarp and kit is made to order – it's important to us that each customer gets the proper product for their application and that it fits exactly the way it should. Our slogan, "When you need to be sure, make it Shur-Co®," is an honest statement of fact, and we say it with complete confidence in our entire line of products. Shur-Co® has been field tested and farmer approved for over 60 years.





# THE 'SHUR' WAY TO PROTECT THE HARVEST



## SHUR-LOK® FOR GRAIN CARTS AND WAGONS

Shur-Lok® is a heavy-duty workhorse that will outperform your expectations. It offers dependable protection from the elements that stands the test of time. Standard features will do the job – and do it well, but if you like to customize, we have a huge range of options.

Our adaptable hardware lets you position the crank arm in the most efficient spot. The stand-offs come in 3-inch, 7-inch and 11-inch sizes while J-hooks are available in regular, pinless and offset-with-pin retainers. An upgrade to our pinless offset retainer will eliminate any pin-and-cable hassles and can be secured on either side of the cart. We also offer a universal crank retainer support kit to accommodate non-vertical configurations.

Ridge straps are made of stretch-resistant high-tensile webbing to keep the tarp from sagging between bows. We recommend dual straps for offset placement, a larger center opening and a clear flow for loading to reduce grain splatter.

For extra-wide carts with tip-top extensions, we suggest flat caps and trussed teardrop bows. The caps help shed water better while the teardrop bows facilitate tightening of the tarp. Trusses offer additional support for wide bows, where flat areas are susceptible to bending.

**Key Features:** Aluminum Latchplate, Recessed Tarp Stops, Galvanized Bows/Brackets, Galvanized End Caps, 1" Ridge Strap (Over 8'6" Gets 2), Stretch Cord Return, Long Crank Arm w/80" Extension, Pinless Crank Retainer w/7" Standoff, Universal Retainer Support Kit, 18-Oz. Vinyl Tarp.





## STANDARD FEATURES AND OPTIONS

LATCHPLATES	
Aluminum Latchplate	Standard
TARP STOPS	
Recessed Tarp Stops	Standard
Easy-Off Tarp Stop w/Bracket - For Lip-Out Design	Add/Ea.
Easy-Off Tarp Stop w/o Bracket - For Lip-In Design	Add/Ea.
Flexible Easy-Off Tarp Stop w/Bracket - Lip-Out	Add/Ea.
Flexible Easy-Off Tarp Stop w/o Bracket - Lip-In	Add/Ea.
6" Offset Easy-Off Tarp Stop w/ Bracket- Lip-Out	Add/Ea.
6" Offset Easy-Off Tarp Stop w/o Bracket- Lip-In	Add/Ea.
6" Offset Flexible Easy-Off Tarp Stop w/ Bracket- For Lip-Out Design	Add/Ea.
6" Offset Flexible Easy-Off Tarp Stop w/o Bracket- For Lip-In Design	Add/Ea.
Standard Tarp Stop	Deduct/Ea.
3" Offset Tarp Stop	Deduct/Ea.
BOWS/BRACKETS	
Galvanized Steel (LR/HR) Bows/Brackets - Standard 102" or Less	
Galvanized Steel (HR/Flat*) Bows/Brackets - Standard 103" or More	
Adjustable Galv. Steel (LR/HR) Bow (102" or Less)	Add/Ea.
Add'l. Galvanized Steel (LR/HR) Bow (102" or Less)	Add/Ea.
Add'l. Adjustable Galv. Steel (LR/HR) Bow (102" or Less)	Add/Ea.
Add'l. Galvanized Steel (HR) Bow (103" or More)	Add/Ea.
Add'l. Galvanized Steel (Flat*) Bow (103" or More)	Add/Ea.
Adjustable Bow Bracket - For Slanted w/Angle Ext.	Add/Ea.
END CAPS	
Galvanized Steel (LR/HR) End Cap** - Standard 102" or Less	
Galvanized Steel (HR/Flat*) End Cap** - Standard 103" or More	
Fabric End Cap (102" or Less)	Add/Set
Fabric End Cap (103" or More)	Add/Set
Aluminum (LR/HR) End Cap (102" or Less)	Add/Set
RIDGE SUPPORTS	
1" Ridge Strap - Over 8'6" Gets 2	Standard
2" Ridge Strap	
Additional 1" or 2" Ridge Strap (25')	Add/Ea.
Additional 1" or 2" Ridge Strap (39')	Add/Ea.
No Ridge Strap	Deduct/Ea.
ROLL RETURNS	
Stretch Cord Return	Standard
Shur-Return™ (102" or Less)	Add
Front Cable Return (102" or Less)	Add
Front Cable Return (103" or More)	Add
CRANK ARMS	
Long Crank Arm (60") w/80" Extension	Standard
Standard Crank Arm (26-3/4") w/80" Extension	Deduct
Standard Crank Arm (26-3/4") w/96" Extension	
RETAINERS	
Pinless Crank Retainer w/7" Standoff w/Universal Crank Retainer Support Kit	Standard
Pinless Crank Retainer w/2" Standoff	
Standard Crank Retainer w/2" Standoff	
Standard Crank Retainer w/7" Standoff	
No Universal Crank Retainer Support Kit	Deduct
TARP OPTIONS	
18-Oz. Vinyl Tarp - Choice of Color***	Standard
Multicolored Fabric (per added color)	Add
Tarp Reinforcements	Add/Ft.
ACCESSORIES	
GustBuster™ Cord Kit - GC (10' to 11') - 2 Cords	Add
GustBuster™ Cord Kit - GC (11' to 12') - 2 Cords	Add
GustBuster™ Cord Kit - GC (12' to 13') - 2 Cords	Add
Rear Cable Return	Add
X-Wide Rear Cable Return	Add
Standard Tarp Repair Kit	Add
Professional Tarp Repair Kit	Add
Bow Sock	Add/Ea.
Molded Roll Tube Deflectors (2)	Add/Set

\*Flat bows/caps work best installed on carts with tip-top extension. To ensure water shed-ability, do NOT install on carts without extensions.

\*\*Galvanized end caps - do NOT install on double-slant extension types.

\*\*\*Available colors are red, black, royal blue, white, yellow, green, grape, maroon, tan, brown or gray.

NOTE: Upgrade to 22-oz. vinyl fabric N/A for grain carts.

In the chart at left, features that come standard are indicated, but you can also see what options are available for this application in each category. Recommended hardware quantities are noted in the chart below.

## HARDWARE QTY

STANDARD (102" or Less)	TARP STOPS	U-CLAMPS	STD BOWS
6' to 9'	2	6	2
10' to 14'	3	8	2
15' to 18'	3	8	3
19' to 22'	4	10	4
23' to 26'	4	10	5
27' to 30'	5	10	6
X-WIDE (103" or More)	TARP STOPS	U-CLAMPS	X-WIDE BOWS
6' to 9'	2	6	2
10' to 11'	3	8	2
12' to 15'	3	8	3
16' to 18'	3	10	4
19'	4	10	4
20' to 23'	4	10	5
24' to 26'	4	10	6
27'	5	10	6
28' to 30'	5	10	7

RECESSED TARP STOP



ALUMINUM LATCHPLATE



GALVANIZED END CAP



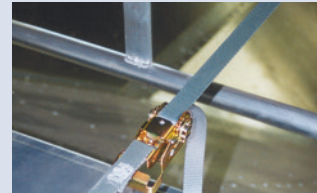
GALVANIZED BOW/BACKET



STRETCH CORD RETURN



1" RIDGE STRAP



PINLESS CRANK RETAINER



LONG CRANK ARM



# MADE TO FIT MOST MAKES AND MODELS



## SHUR-LOK® FOR FARM BODIES

From older trucks to the very latest models, a Shur-Lok® can protect whatever you haul. Our standard features fit most applications, but plenty of options are available – like a high-lift end gate kit, designed for use with high-lift end gates wider than the box.

The high-lift kit option is a bolt-on offset adjustable bracket that allows the latchplate and tarp stop to be spaced out flush with the width of the end gate. It's just one of many accommodating options offered. For example, aluminum end caps come standard – both low-rise and high-rise styles – but an upgrade to aluminum easy-off caps offers easier installation and removal. These quickly anchor with over-center clamps inside the truck box.

The standard crank arm mounts vertically across the back of the box and provides 4-position length adjustment. The U-joint has a 21-tooth splined key to adjust the tarp tension every 17 degrees. Upgrading to the Shur-Flex™ crank provides necessary flexibility for cargo doors or grain gates. It folds at the knuckle and secures to the side of the box with offset retainers.

Our standard stretch cord return guides the roll tube over the end cap, with a protective cover to reduce rope fraying. An upgrade to our patented Shur-Return™ features a heavy-duty steel tension spring, 1/4-inch non-stretch solid braid rope and lifetime warranty.

**Key Features:** Aluminum Latchplate, Easy-Off Tarp Stops, Galvanized Bows/Brackets, Aluminum End Caps, 1" Ridge Strap, Stretch Cord Return, Standard Crank Arm w/80" Extension, Pinless Crank Retainer w/7" Standoff, 18-Oz. Vinyl Tarp.





## STANDARD FEATURES AND OPTIONS

LATCHPLATES	
● Aluminum Latchplate	Standard
TARP STOPS	
● Easy-Off Tarp Stops	Standard
Standard Tarp Stop	Deduct/Ea.
Flexible Easy-Off Tarp Stop	Add/Ea.
6" Offset Easy-Off Tarp Stop	Add/Ea.
6" Offset Flexible Easy-Off Tarp Stop	Add/Ea.
BOWS/BRACKETS	
● Galvanized Steel (LR/HR) Bows/Brackets	Standard
Adjustable Galvanized Steel (LR/HR) Bow/Bracket	Add/Ea.
Add'l. Galvanized Steel (LR/HR) Bow/Bracket	Add/Ea.
Add'l. Adjustable Galvanized (LR/HR) Bow/Bracket	Add/Ea.
No Galvanized Steel (LR/HR) Bow/Bracket	Deduct/Ea.
END CAPS	
● Aluminum (LR/HR) End Caps	Standard
Easy-Off Aluminum (LR/HR) Rear Cap	Add
Galvanized Steel (LR/HR) Rear Cap	Deduct
Fabric (LR/HR) Rear Cap	Add
Poorboy Rear Tapered Flap	
No Rear Cap	Deduct
Radius/Diagonal Aluminum (LR/HR) Front Cap	Add
Easy-Off Aluminum (LR/HR) Front Cap	Add
Galvanized Steel (LR/HR) Front Cap	Deduct
Aluminum (LR) Universal Front Cap	Add
Fabric (LR/HR) Front Cap	Add
No Front Cap	Deduct
RIDGE SUPPORTS	
● 1" Ridge Strap	Standard
2" Ridge Strap	
Additional 1" or 2" Ridge Strap (25')	Add/Ea.
No Ridge Strap	Deduct/Ea.
ROLL RETURNS	
● Stretch Cord Return	Standard
Shur-Return™	Add
Front Cable Return	Add
CRANK ARMS	
● Standard Crank Arm (26-3/4") w/80" Extension	Standard
Standard Crank Arm (26-3/4") w/96" Extension	Add
Long Crank Arm (60") w/80" Extension	Add
40" Shur-Flex™ Crank Arm w/Offset Retainer (4)	Add
40" Shur-Flex™ Crank w/Offset Pinless Retainer (4)	Add
54" Shur-Flex™ Crank Arm w/Offset Retainer (4)	Add
54" Shur-Flex™ Crank w/Offset Pinless Retainer (4)	Add
RETAINERS	
● Pinless Crank Retainer w/7" Standoff	Standard
Standard Crank Retainer w/7" Standoff	
Offset Crank Retainer* (2)	
Offset Pinless Crank Retainer* (2)	Add/Set
Additional Crank Retainer w/Standoff	Add
TARP OPTIONS	
● 18-Oz. Vinyl Tarp - Choice of Color**	Standard
Value Series 18-Oz. - Black, Royal Blue or White	Deduct
22-Oz. Vinyl Tarp - Choice of Color**	Add
Multicolored Fabric (per added color)	Add
Tarp Reinforcements	Add/Ft.
ACCESSORIES	
GustBuster™ Cord Kit (8' to 9') - 2 Cords	Add
Rear Cable Return	Add
Standard Tarp Repair Kit	Add
Professional Tarp Repair Kit	Add
Bow Sock	Add/Ea.
Molded Roll Tube Deflectors (2)	Add/Set

\*For use when pinless retainer with 7" standoff CANNOT be mounted.  
 \*\*Available colors: red, black, royal blue, white, yellow, green, grape, maroon, tan, brown or gray. (Grape & Yellow N/A in 22 oz.)

In the chart at left, features that come standard are indicated, but you can also see what options are available for this application in each category. Recommended hardware quantities are noted in the chart below.

## HARDWARE QTY

SIZE	TARP STOPS	U-CLAMPS	STANDARD BOWS	OFFSET ADJ. BRACKETS
10'	3	8	2	9
11' to 12'	3	8	2	10
13' to 14'	3	8	2	11
15' to 16'	3	8	3	12
17' to 18'	3	8	3	13
19' to 20'	4	10	4	15
21' to 22'	4	10	4	16
23' to 24'	4	10	5	17

EASY-OFF TARP STOP



ALUMINUM LATCHPLATE



ALUMINUM END CAP



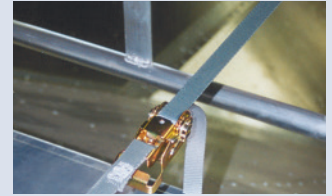
GALVANIZED BOW/BRACKET



STRETCH CORD RETURN



1" RIDGE STRAP



PINLESS CRANK RETAINER



STANDARD CRANK ARM



# WATERPROOF PROTECTION KEEPS LOADS DRY



## SHUR-LOK® FOR TENDERS AND SPREADERS

Whatever you're hauling, from seed to blended fertilizer to micronutrients, it's critical that contents stay dry. Shur-Lok® is water resistant, durable and easy to open and close. Included stainless steel and powder-coated components provide lasting corrosion resistance.

Our stainless steel and powder-coated parts come standard, designed to protect against the corrosive effects inherent in hauling caustic substances like fertilizer. Stainless bows and brackets, end caps, ridge straps and crank retainers offer improved performance, longer life and a sharper appearance. Even the standard-issue easy-off tarp stop features a corrosion-resistant stainless steel stop body, plus powder coating for lasting durability.

**Key Features:** Aluminum Latchplate, Powder-Coated Easy-Off Tarp Stops w/Stainless Stop Bodies, Stainless Top-Mounted Bows/Brackets, Stainless End Caps, Stainless 1" Ridge Strap (Over 8'6" Gets 2), Stretch Cord Return, Standard Crank Arm w/80" Extension, Stainless Pinless Crank Retainer w/7" Standoff, 18-Oz. Vinyl Tarp.



## STANDARD FEATURES AND OPTIONS

LATCHPLATES	
● Aluminum Latchplate	Standard
TARP STOPS	
● Powder-Coated EO w/Stainless Stop Body	Standard
Easy-Off Tarp Stop w/Plated Steel Stop Body	Deduct/Ea.
Standard Plated Steel Tarp Stop	Deduct/Ea.
BOWS/BRACKETS	
● Stainless (LR/HR) Bows - Top Mount - Standard 102" or Less	
● Stainless (HR) Bows - Top Mount - Standard for 120"	
Stainless (LR/HR) Bow/Bracket - Std. Mt. (102" or Less)	Add/Ea.
Stainless (HR) Bow/Bracket - Std. Mount (120")	Add/Ea.
Galv. (LR/HR) Bow/Bracket - Std. Mt. (102" or Less)	Deduct/Ea.
Adjustable Galv. (LR/HR) Bow/Bracket (102" or Less)	Deduct/Ea.
Galvanized (HR) Bow/Bracket - Std. Mount (120")	Deduct/Ea.
No Stainless (LR/HR) Bow - Top Mount (102" or Less)	Deduct/Ea.
No Stainless (HR) Bow - Top Mount (120")	Deduct/Ea.
END CAPS	
● Stainless (LR/HR) End Caps - Standard 102" or Less	
● Stainless (HR) End Caps - Standard for 120"	
Aluminum (LR/HR) End Caps (102" or Less)	Deduct/Set
Aluminum (HR) End Caps (120")	Deduct/Set
Galvanized Steel (LR/HR) End Caps (102" or Less)	Deduct/Set
Galvanized Steel (HR) End Caps (120")	Deduct/Set
No Stainless (LR/HR) End Caps (102" or Less)	Deduct/Set
No Stainless (HR) End Caps (120")	Deduct/Set
RIDGE SUPPORTS	
● Stainless 1" Ridge Strap - Over 8'6" Gets 2	Standard
1" Ridge Strap w/Powder-Coated Components	Deduct/Ea.
1" Ridge Strap	Deduct/Ea.
Additional Stainless 1" Ridge Strap (Up to 24')	Add/Ea.
Add'l. 1" Ridge Strap w/PC Components (Up to 24')	Add/Ea.
Additional 1" Ridge Strap (25')	Add/Ea.
No Stainless Ridge Strap	Deduct/Ea.
ROLL RETURNS	
● Stretch Cord Return	Standard
Shur-Return™ (102" or Less)	Add
Front Cable Return (102" or Less)	Add
Front Cable Return (103" or More)	Add
CRANK ARMS	
● Standard Crank Arm (26-3/4") w/80" Extension	Standard
Standard Crank Arm (26-3/4") w/33" Extension	Deduct
Standard Crank Arm (26-3/4") w/96" Extension	Add
Long Crank Arm (60") w/80" Extension	Add
RETAINERS	
● Stainless Pinless Crank Retainer w/7" Standoff	Standard
Pinless Crank Retainer w/7" Standoff	Deduct
Crank Retainer w/7" Standoff	Deduct
Additional Stainless Crank Retainer w/Standoff	Add
Additional Crank Retainer w/Standoff	Add
TARP OPTIONS	
● 18-Oz. Vinyl Tarp - Choice of Color*	Standard
Value Series 18-Oz. - Black, Royal Blue or White**	Deduct
Multicolored Fabric (per added color)	Add
Tarp Reinforcements	Add/Ft.
ACCESSORIES	
Rear Cable Return	Add
X-Wide Rear Cable Return	Add
Standard Tarp Repair Kit	Add
Professional Tarp Repair Kit	Add
Bow Sock	Add/Ea.
Molded Roll Tube Deflectors (2)	Add/Set

\*Available colors: red, black, royal blue, white, yellow, green, grape, maroon, tan, brown or gray.

\*\*Value Series tarps N/A for systems over 102" wide.

See ELECTRICS, Section 2, for electric upgrades.

In the chart at left, features that come standard are indicated, but you can also see what options are available for this application in each category. Recommended hardware quantities are noted in the chart below.

## HARDWARE QTY

SIZE	TARP STOPS	U-CLAMPS	STANDARD BOWS
10' to 14'	3	8	2
15' to 18'	3	8	3
19' to 22'	4	10	4
23' to 24'	4	10	5

See REPLACEMENT TARPS, pgs. 31-32.

POWDER-COATED TARP STOP



ALUMINUM LATCHPLATE



STAINLESS END CAP



STAINLESS BOW/BRACKET



STRETCH CORD RETURN



STAINLESS 1" RIDGE STRAP



PINLESS CRANK RETAINER



STANDARD CRANK ARM



# IMPROVES YOUR SAFETY OF OPERATION



## SHUR-LOK® FOR GRAIN TRAILERS

With proper tension, the tarp stays tight no matter your length of trailer. The standard crank is direct drive 1:1 and lets you roll the tarp while standing safely on the ground. A number of electric accessories are available from our SMARTrailer™ line, listed at left.

Our standard easy-off tarp stops enable fast, easy tarp removal. An upgrade from our standard stretch cord return to our cable return features a non-stretch cable with a heavy-duty internal tension spring-and-pulley system.

Our extendable spline crank assembly allows crank arm and U-joint to slide forward, bypassing hinges and clearing rear doors. This upgrade, ideal for open-top vans, Convertahoppers, belted floor trailers and “barn door” trailers, uses deeper caps that, if aluminum, are made of a heavier alloy. All require a cap depth of 26 inches.



Shur-Co® offers a wide variety of tarp fabric choices. Of special note is DiamondCore™, a premium fabric that provides added substance, increased endurance and un-paralleled abrasion resistance. Unlike diamonds, no tarp lasts forever, but an upgrade to DiamondCore™ offers you rock-solid quality backed by a 24-month warranty. (In black only.)

**Key Features:** Aluminum Latchplate, Easy-Off Tarp Stops, Galvanized Bows/Brackets, Aluminum End Caps w/Radius Corner Front, 1" or 2" Ridge Strap, Stretch Cord Return, Standard Crank Arm w/80" Extension, Pinless Crank Retainer w/7" Standoff, 18-Oz. Vinyl Tarp.



## STANDARD FEATURES AND OPTIONS

LATCHPLATES	
● Aluminum Latchplate	Standard
TARP STOPS	
● Easy-Off Tarp Stops	Standard
Standard Tarp Stop	Deduct/ Ea.
Flexible Easy-Off Tarp Stop	Add/Ea.
6" Offset Easy-Off Tarp Stop	Add/Ea.
6" Offset Flexible Easy-Off Tarp Stop	Add/Ea.
BOWS/BRACKETS	
● Galvanized Steel (LR/HR) Bows/Brackets	Standard
Adjustable Galvanized Steel (LR/HR) Bow/Bracket	Add/Ea.
Add'l. Galvanized Steel (LR/HR) Bow/Bracket	Add/Ea.
Add'l. Adjustable Galvanized (LR/HR) Bow/Bracket	Add/Ea.
No Galvanized Steel (LR/HR) Bow/Bracket	Deduct/ Ea.
END CAPS	
● Alum. Caps (LR/HR) w/Radius Corner Front Cap	Standard
Easy-Off Aluminum (LR/HR) Rear Cap	Add
Galvanized Steel (LR/HR) Rear Cap	Deduct
Fabric (LR/HR) Rear Cap	Add
Poorboy Rear Tapered Flap	
Back Cap (LR) w/Extendable Spline Assembly	Add
No Rear Cap	Deduct
Fixed Aluminum Square (LR/HR) Front Cap	Deduct
Easy-Off Aluminum (LR/HR) Front Cap	Add
Galvanized Steel (LR/HR) Front Cap	Deduct
Aluminum (LR) Universal Front Cap	Add
Fabric (LR/HR) Front Cap	Add
No Front Cap	Deduct
RIDGE SUPPORTS	
● 1" or 2" Ridge Strap	Standard
1" Stainless Ridge Strap	Add
Additional 1" or 2" Ridge Strap (39)**	Add/Ea.
Additional 1" or 2" Ridge Strap (46)**	Add/Ea.
Additional 1" or 2" Ridge Strap (56)**	Add/Ea.
Additional 1" Stainless Ridge Strap (41)**	Add/Ea.
Additional 1" Stainless Ridge Strap (48)**	Add/Ea.
Additional 1" Stainless Ridge Strap (56)**	Add/Ea.
No Ridge Strap	Deduct/ Ea.
ROLL RETURNS	
● Stretch Cord Return	Standard
Shur-Return™	Add
Front Cable Return	Add
Cable Spool	Add
Universal Cable Guide	Add
CRANK ARMS	
● Standard Crank Arm (26-3/4") w/80" Extension	Standard
Standard Crank Arm (26-3/4") w/33" Extension	Deduct
Standard Crank Arm (26-3/4") w/96" Extension	Add
Long Crank Arm (60") w/80" Extension	Add
40" Shur-Flex™ Crank Arm w/Offset Retainer (4)	Add
40" Shur-Flex™ Crank w/Offset Pinless Retainer (4)	Add
54" Shur-Flex™ Crank Arm w/Offset Retainer (4)	Add
54" Shur-Flex™ Crank w/Offset Pinless Retainer (4)	Add
RETAINERS	
● Pinless Crank Retainer w/7" Standoff	Standard
Crank Retainer w/7" Standoff	
Offset Crank Retainer* (2)	
Offset Pinless Crank Retainer* (2)	Add/Set
Additional Crank Retainer w/Standoff	Add

\*For use when pinless retainer with 7" standoff CANNOT be mounted.

\*\*Reduce grain splatter; use two (2) ridge straps placed 11" off center or 22" apart.

In the chart at left, features that come standard are indicated, but you can also see what options are available for this application in each category. Recommended hardware quantities are noted in the chart below left.

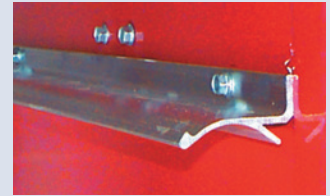
## HARDWARE QTY

SIZE	TARP STOPS	U-CLAMPS	STANDARD BOWS
25' to 26'	4	10	5
27' to 30'	5	10	6
31' to 34'	5	10	7
35' to 38'	6	14	8
39' to 43'	6	14	9
44' to 46'	7	16	10
47' to 50'	7	16	11
51' to 54'	8	18	12

EASY-OFF TARP STOP



ALUMINUM LATCHPLATE



ALUMINUM END CAP



GALVANIZED BOW/BRACKET



STRETCH CORD RETURN



1" RIDGE STRAP



PINLESS CRANK RETAINER



STANDARD CRANK ARM



# DOUBLE PROTECTION AGAINST MOISTURE



## SHUR-LOK® DOUBLE TARP SYSTEM

Safety is one huge advantage of utilizing Shur-Co's innovative double tarping system over a regular load hole tarp. You can keep both feet on the ground while opening the top tarp and exposing the load holes. No more having to climb up on top of the trailer!

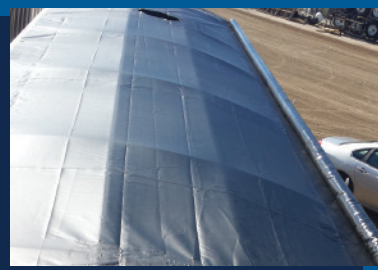
Shur-Co's double Shur-Lok® system uses our stretch cord return for uniform tension control on the bottom tarp and a cable return for the top tarp – for constant, extremely even rolling. Two separate crank arms with retainers lock tarps into place for secure over-the-road travel and can be positioned on the front or rear of the trailer.

Operate the top tarp for added protection, unrolling it over the bottom tarp for the most watertight environment. When rolled open, load holes are fully exposed, without use of a catwalk to reach them, eliminating any need for flaps with Velcro® and straps. When rolled closed, bottom tarp locks into place as it cranks up under the latchplate, the original and ingeniously engineered Shur-Lok® design. An electric tarp system can also be used to run the top tarp remotely.

The bottom tarp contains two reinforced load holes – helpful for dust containment, meeting dust-control regulations and providing product protection. If load holes are not needed, just roll open both tarps for complete trailer access.

**Key Features:** Aluminum Latchplates (2 Sets), Easy-Off Tarp Stops, Ridge Straps (2), Front Cable Return and Stretch Cord Return, Standard Crank Arms w/80" Extensions (2), Pinless Retainer w/7" Standoffs (2), 18-Oz. Vinyl Double Tarp – Bottom Tarp Contains Load Holes (2).

NOTE: Upgrade kits are also available (*chart on far right of page 15*).





## STANDARD FEATURES AND OPTIONS

LATCHPLATES	
● Aluminum Latchplate (2 sets)	Standard
TARP STOPS	
● Easy-Off Tarp Stops	Standard
Flexible Easy-Off Tarp Stop	Add/Ea.
6" Offset Easy-Off Tarp Stop	Add/Ea.
6" Offset Flexible Easy-Off Tarp Stop	Add/Ea.
BOWS/BRACKETS	
● Galvanized Steel (LR/HR) Bows/Brackets	Standard
Adjustable Galvanized (LR/HR) Bow/Bracket	Add/Ea.
Add'l. Galvanized Steel (LR/HR) Bow/Bracket*	Add/Ea.
Add'l. Adjustable Galvanized (LR/HR) Bow/Bracket*	Add/Ea.
END CAPS	
● Aluminum Caps (LR/HR) w/Radius Corner Front	Standard
Easy-Off Aluminum (LR/HR) Rear Cap	Add
Galvanized Steel (LR/HR) Rear Cap	Deduct
Fabric (LR/HR) Rear Cap	Add
Poorboy Rear Tapered Flap	
Back Cap (LR) w/Extendable Spline Assembly	Add
Fixed Aluminum Square (LR/HR) Front Cap	Deduct
Easy-Off Aluminum (LR/HR) Front Cap	Add
Galvanized Steel (LR/HR) Front Cap	Deduct
Aluminum (LR) Universal Front Cap	Add
RIDGE SUPPORTS	
● 1" or 2" Ridge Straps (2)	Standard
ROLL RETURNS	
● Front Cable Return – For Top Tarp	Standard
● Stretch Cord Return – For Bottom Tarp	Standard
Shur-Return™ (in lieu of Stretch Cord Ret. for Bottom Tarp)	Add
Cable Spool	Add
Universal Cable Guide	Add
CRANK ARMS	
● Standard Crank Arm (26-3/4") w/80" Extension (2)	Standard
Standard Crank Arm (26-3/4") w/96" Extension	Add
Long Crank Arm (60") w/80" Extension	Add
RETAINERS	
● Pinless Retainer w/7" Standoff (2)	Standard
Crank Retainer w/7" Standoff	
Additional Crank Retainer w/Standoff	Add
TARP OPTIONS	
● 18-Oz. Vinyl Double Tarp – Choice of Color**	Standard
Extra Load Hole*** (18" Reinforced) – 2 Come Standard	Add/Ea.
Multicolored Fabric (per added color)	Add
Active Decontamination Flap	Add/Ft.
Bow Reinforcements (10")	Add/Ea.
Tarp Reinforcements	Add/Ft.
ACCESSORIES	
Rear Cable Return	Add
Shock Cord Return – For Bottom Tarp ONLY	Add
Molded Roll Tube Deflectors (2)	Add/Set

\*Additional bow recommended for each load hole on bottom tarp.

\*\*Available colors: red, black, royal blue, white, yellow, green, maroon, tan, brown or gray. (Grape & Yellow N/A in 22 oz.)

\*\*\*Two (2) reinforced load holes come standard; customer MUST specify locations.

## HARDWARE QTY

SIZE	TARP STOPS	U-CLAMPS	STANDARD BOWS
25' to 26'	4	20	5
27' to 30'	5	20	6
31' to 34'	5	20	7
35' to 38'	6	28	8
39' to 43'	6	28	9
44' to 46'	7	32	10
47' to 50'	7	32	11
51' to 54'	8	36	12

In the chart at left, features that come standard are indicated, but you can also see what options are available for this application in each category.

Recommended hardware quantities are noted in the chart below left. Upgrades (versus complete kits) will only require U-clamp quantities.

Want to retrofit a basic Shur-Lok® system to a double system? See the chart directly below.

## STANDARD FEATURES AND OPTIONS

LATCHPLATES	
● Aluminum Latchplate	Standard
BOWS/BRACKETS	
Add'l. Galvanized Steel (LR/HR) Bow/Bracket*	Add/Ea.
Add'l. Adjustable Galvanized (LR/HR) Bow/Bracket*	Add/Ea.
RIDGE SUPPORTS	
● 1" or 2" Ridge Strap	Standard
No Ridge Strap	Deduct
ROLL RETURNS	
● Front Cable Return	Standard
Stretch Cord Return	Deduct
Shur-Return™	Deduct
Cable Spool	Add
Universal Cable Guide	Add
CRANK ARMS	
● Standard Crank Arm (26-3/4") w/80" Extension	Standard
Standard Crank Arm (26-3/4") w/96" Extension	Add
Long Crank Arm (60") w/80" Extension	Add
RETAINERS	
Pinless Retainer w/7" Standoff	Standard
Crank Retainer w/7" Standoff	
Additional Crank Retainer w/Standoff	Add
TARP OPTIONS	
18-Oz. Vinyl Double Tarp – Choice of Color**	Standard
Extra Load Hole*** (18" Reinforced) – 2 Come Standard	Add/Ea.
Multicolored Fabric (per added color)	Add
Active Decontamination Flap	Add/Ft.
Bow Reinforcements (10")	Add/Ea.
Tarp Reinforcements	Add/Ft.
ACCESSORIES	
Rear Cable Return	Add
Shock Cord Return – For Bottom Tarp ONLY	Add
Molded Roll Tube Deflectors (2)	Add/Set

\*Additional bow recommended for each load hole on bottom tarp.

\*\*Available colors: red, black, royal blue, white, yellow, green, maroon, tan, brown or gray.

\*\*\*Two (2) reinforced load holes come standard; customer MUST specify locations

# BUILT SOLID TO GROW YOUR PROFIT MARGINS



## SHUR-LOK® FOR END DUMPS

With Shur-Lok®, you get dependable water resistance and load protection, for increased productivity and less downtime – more loads mean more profit! A variety of options help you customize your trailer to meet your specific individual hauling needs.

The Shur-Flex™ crank provides convenient flexibility. It folds at the knuckle and secures with offset or pinless offset retainers – no more pin-and-cable hassles.

The front fabric cap makes it easy to come over the top of the doghouse. Double bows secure in a double bow bracket – exactly the right spacing for tightening down the front of the tarp.

A front stretch roll return guides the roll tarp over the end cap, with a protective cover to reduce rope fraying. Reinforced stitching along the radius corner of the front fabric cap increases tear strength and helps the tarp withstand the stress of highway speeds. A rear flap, called a poorboy tail, is also available for extended coverage.

**Key Features:** Aluminum Latchplate, Easy-Off Tarp Stops, Fabric Front/Rear Caps, Shur-Flex™ Crank Arm, Front Roll Return, Offset Crank Retainers (4), 22-Oz. Vinyl Tarp.

*Galvanized and aluminum bow kits come standard with a 1" ridge strap; heavy-duty and Turning Point™ bow kits have a rollaway ridgepole. Durabow™ kits do not come with ridge support. Heavy-duty bow kits have the Shur-Return™; all others have a stretch cord return.*



## STANDARD FEATURES AND OPTIONS

<b>LATCHPLATES</b>	
● Aluminum Latchplate	Standard
<b>TARP STOPS</b>	
● Easy-Off Tarp Stops	Standard
Standard Tarp Stop	Deduct/Ea.
Flexible Easy-Off Tarp Stop	Add/Ea.
6" Offset Easy-Off Tarp Stop	Add/Ea.
6" Offset Flexible Easy-Off Tarp Stop	Add/Ea.
<b>BOWS/BRACKETS</b>	
Turning Point™ Bow/Bracket* (For Alumatech Trailers)	Add
Adjustable Galvanized Steel (LR/HR) Bow/Bracket	Add/Ea.
No Galvanized Steel (LR/HR) Bow/Bracket	Deduct/Ea.
No Heavy-Duty Bow/Bracket	Deduct/Ea.
No Aluminum Bow/Bracket	Deduct/Ea.
No Durabow™ Bow/Bracket	Deduct/Ea.
Aluminum Brackets - For Durabow™ (2)	Add/Set
<b>END CAPS</b>	
● Fabric (LR/HR) Front/Rear Caps	Standard
Combo Cap	
Poorboy Rear Tapered Flap	
No Rear Cap	Deduct
Aluminum (LR) Universal Front Cap	
Poorboy Front Tapered Flap	
Poorboy Front Radius/Diagonal Fitted Flap	
No Front Cap	Deduct
<b>RIDGE SUPPORTS</b>	
● 1" Ridge Strap - Standard on Std. & Alum. Bow Kit	
Ridgepole - Rollaway Standard on HD Kit, Pivoting Standard on TPB Kit	
Additional 1" or 2" Ridge Strap (39')	Add/Ea.
Additional 1" or 2" Ridge Strap (46')	Add/Ea.
Additional 1" or 2" Ridge Strap (56')	Add/Ea.
No Ridge Strap	Deduct/Ea.
<b>ROLL RETURNS</b>	
● Stretch Cord Return	Standard
● Shur-Return™ - Standard on HD Bow Kit	Add
<b>CRANK ARMS</b>	
● 54" Shur-Flex™ Crank Arm	Standard
40" Shur-Flex™ Crank Arm	
80" Shur-Flex™ Crank Arm	Add
Standard Crank Arm (26-3/4") w/80" Extension	Deduct
Standard Crank Arm (26-3/4") w/96" Extension	Deduct
Long Crank Arm (60") w/80" Extension	Deduct
<b>RETAINERS</b>	
● Offset Crank Retainers (4) - Standard w/Shur-Flex™	
● Offset Crank Retainers (2) - Standard w/Std. Crank	
Offset Pinless Crank Retainers (4)	Add/Set
Offset Pinless Crank Retainers (2)	Add/Set
<b>TARP OPTIONS</b>	
● 22-Oz. Vinyl Tarp - Choice of Color**	Standard
Multicolored Fabric (per added color)	Add
Bow Reinforcements (10")	Add
Tarp Reinforcements	Add/Ft.
Load Hole Flap	Add/Ea.
<b>ACCESSORIES</b>	
Standard Tarp Repair Kit	Add
Professional Tarp Repair Kit	Add
Bow Sock	Add/Ea.
Molded Roll Tube Deflectors (2)	Add/Se

\*Turning Point™ bows/brackets are used for 39' Alumatech trailer ONLY.

\*\*Available colors: red, black, royal blue, white, green, maroon, tan, brown or gray.

NOTE: There is NO deduction in cost if you downgrade to 18-oz. fabric and NO warranty on the tarp

In the chart at left, features that come standard are indicated, but you can also see what options are available for this application in each category. Recommended hardware quantities are noted in the chart below.

## HARDWARE QTY

SIZE	TARP STOPS	STANDARD BOWS	HD BOWS	TURNING POINT™	DURA BOW™	ALUM BOWS
20'-22'	3	4	2	3	4	4
23'	3	4	2	3	5	4
24' to 26'	4	5	2	4	5	5
27' to 30'	5	6	2	5	6	6
31' to 34'	5	7	2	5	7	7
35' to 38'	6	8	3	6	8	8
39' to 43'	6	9	3	6	9	9
44' to 46'	7	10	3	7	10	10
47' to 48'	7	11	4	7	11	11

EASY-OFF TARP STOP



ALUMINUM LATCHPLATE



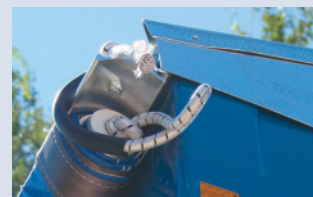
FABRIC END CAP



ROLLAWAY RIDGEPOLE



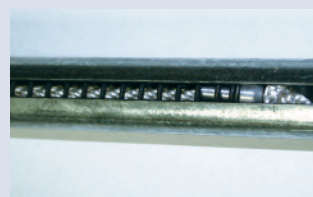
STRETCH CORD RETURN



1" RIDGE STRAP



SHUR-RETURN™



SHUR-FLEX™ CRANK ARM



# IDEAL CHOICE FOR MINIMAL OR NO BOWS



## SHUR-LOK® FOR OPEN-TOP VANS

Choose the proper roll tube for your particular hauling needs. The 3-inch aluminum roll tube shows less deflection than the 2-inch galvanized tube and also rolls faster, but it sacrifices torque in doing so – and is no more lightweight despite its extruded construction.

Shur-Co's 3-inch roll tube is a good choice for loads that can make do with minimal or no bows. Upgrading to heavy-duty flat bows will reduce interference from loaders – an ideal accommodation for open-top vans that are maxed out on height allowance.

For standard 2-inch roll tube systems, upgrading to our extendable spline pull-out crank assembly allows the crank arm and U-joint to slide forward, bypassing hinges and clearing rear doors. This is ideal for open-top vans, Convertahoppers, belted floor trailers and "barn door" trailers. The design uses deeper caps that, if aluminum, are made of a heavier alloy. All require a cap depth of 26 inches.

**Key Features:** Aluminum Latchplate, 6" Offset Easy-Off Tarp Stops, Aluminum End Caps, Shur-Return™, 96" Shur-Flex™ Crank Arm, Offset Crank Retainers (4), 18-Oz. Vinyl Tarp.





## STANDARD FEATURES AND OPTIONS

LATCHPLATES	
● Aluminum Latchplate	Standard
TARP STOPS	
● 6" Offset Easy-Off Tarp Stops	Standard
6" Offset Flexible Easy-Off Tarp Stop	Add/Ea.
6" Offset Belt Flex Tarp Stop	Add/Ea.
Easy-Off Tarp Stop	Deduct/Ea.
Flexible Easy-Off Tarp Stop	Add/Ea.
Easy-Off Belt Flex Tarp Stop	
Standard Tarp Stop	Deduct/Ea.
BOWS/BRACKETS	
Galvanized Steel (Flat/LR) Bow/Bracket	Add/Ea.
Adjustable Galvanized Steel (LR/HR) Bow/Bracket	Add/Ea.
Durabow™ w/Steel Bracket	Add/Ea.
Durabow™ w/Aluminum Bracket	Add/Ea.
Heavy-Duty (Flat/LR) Bows/Bracket	Add/Ea.
Aluminum Bow/Bracket	Add/Ea.
END CAPS	
● Aluminum (Flat) Square End Caps	Standard
Fixed Aluminum (LR) Rear Cap	Add
Galvanized Steel (LR) Rear Cap	
Fabric (LR) Rear Cap	Add
Poorboy Rear Tapered Flap	
No Rear Cap (Flat)	Deduct
Back Cap (LR) w/Extendable Spline Assembly	Add
Back Cap (Flat) w/Extendable Spline Assembly	Add
Fixed Aluminum (LR) Front Cap	
Aluminum (Flat/LR) Radius/Diagonal Front Cap	Add
Aluminum (Flat/LR) Universal Front Cap	Add
Galvanized Steel (LR) Front Cap	Deduct
Fabric (LR) Front Cap	Add
Poorboy Front Tapered Flap	
Poorboy Front Radius/Diagonal Fitted Flap	Add
No Front Cap (Flat)	Deduct
RIDGE SUPPORTS	
1" or 2" Ridge Strap (39")	Add/Ea.
1" or 2" Ridge Strap (46")	Add/Ea.
1" or 2" Ridge Strap (56")	Add/Ea.
ROLL RETURNS	
● Shur-Return™	Standard
Stretch Cord Return	Deduct
Front Cable Return	Add
Heavy-Duty Arm Return	Add
CRANK ARMS	
● 96" Shur-Flex™ Crank Arm	Standard
54" Shur-Flex™ Crank Arm	
80" Shur-Flex™ Crank Arm	
Standard Crank Arm (26-3/4") w/33" Extension	Deduct
Standard Crank Arm (26-3/4") w/80" Extension	Deduct
Standard Crank Arm (26-3/4") w/96" Extension	Deduct
Long Crank Arm (60") w/80" Extension	Deduct
RETAINERS	
● Offset Crank Retainers (4) – Standard w/Shur-Flex™ Crank	
● Offset Crank Retainers (2) – Standard w/Standard Crank	
Offset Pinless Crank Retainers (4)	Add/Set
Offset Pinless Crank Retainers (2)	Add/Set
TARP OPTIONS	
● 18-Oz. Vinyl Tarp – Choice of Color*	Standard
22-Oz. Vinyl Tarp – Choice of Color*	Add
Multicolored Fabric (per added color)	Add
Mesh Insert (72" x 26')**	Add/Ea.
Tarp Reinforcements	Add/Ft.
ACCESSORIES	
Rear Cable Return	Add
Standard Tarp Repair Kit	Add
Professional Tarp Repair Kit	Add
Bow Sock	Add/Ea.
Molded Roll Tube Deflectors (2)	Add/Set

\*Available colors: red, black, royal blue, white, green, grape, maroon, tan, brown or gray. (Grape & Yellow N/A in 22 oz.)

\*\*Inserts smaller than standard size will be priced the same. If larger than standard, a special quote will be needed.

In the chart at left, features that come standard are indicated, but you can also see what options are available for this application in each category. Recommended hardware quantities are noted in the chart below.

## HARDWARE QTY

SIZE	TARP STOPS	U-CLAMPS	STANDARD BOWS	HEAVY-DUTY BOWS
28' to 30'	5	10	6	2
31' to 34'	5	10	7	2
35' to 38'	6	14	8	3
39' to 43'	6	14	9	3
44' to 46'	7	16	10	3
47' to 50'	7	16	11	4
51' to 54'	8	18	12	4

6" OFFSET EASY-OFF TARP STOP



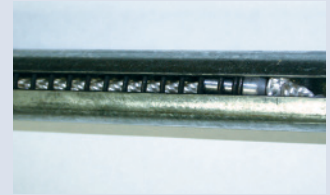
ALUMINUM LATCHPLATE



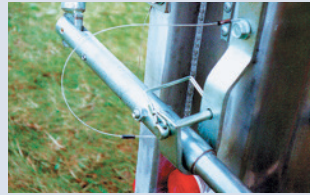
ALUMINUM END CAP



SHUR-RETURN™



OFFSET CRANK RETAINER



18-OZ. VINYL TARP



EXTENDABLE SPLINE



SHUR-FLEX™ CRANK ARM



# THE MOST AFFORDABLE TARPING AVAILABLE



## SHUR-LOK® JUNIOR FOR GRAIN WAGONS

The super-affordable Shur-Lok® Junior's tarp opens and closes exactly like *The Original Shur-Lok®*, but the caps are built right in. One-person operation is fast and easy – you crank the tarp up and over while remaining safely on the ground.

A specially designed econo-crank with square key allows for 4-position adjustment of the tarp tension. Easy-to-reach straps with bungee cords facilitate quick release and are readily accessible when securing the tarp for windy weather and transport.

Recessed tarp stops wrap the narrow top rails of grain wagons and keep the tarp from rolling off. The plastic protective cap protects the tarp from sharp corners.

**Key Features:** Galvanized Steel Latchplate, Fabric Caps Formulated into Tarp, Galvanized Steel Bows/Brackets, Recessed Tarp Stops, Crank Arm w/4-Position U-Joint, J-Hook Retainer w/7" Standoff, 1" Ridge Rope, 18-Oz. Vinyl Tarp.

*Recommended for boxes up to 9' wide and 15' long and vehicles not exceeding speeds of 35 mph.*







## PREMIUM BELT 'N RATCHET SYSTEM (PBR)

If you're in the business of transporting light yet bulky materials like wood chips and trash, it's a good bet that you'll find the Premium Belt 'n Ratchet the perfect tarping system. It allows you to heap your loads above the bows and still keep the tarp tight for complete containment.

Belt 'n ratchet cranks are available in 84-inch and 114-inch lengths. Hold-downs secure the tarp tube for uniform tension. These can be ordered as strap tie-downs in 7-foot or 9-foot lengths or as ratchets with optional quick-release straps.

An improved crank key on the econo-joint offers easy crank installation and removal. You can also order a convenient leave-on option for the crank arm that allows it to remain attached to the trailer with a wire lock or pin.

**Key Features | Farm Body:** 5" Belt w/2" Ratchet Hold-Downs, Standard Tarp Stops, Galvanized Steel Bows/Brackets, Aluminum End Caps, 1" Ridge Strap, Rope Return, Square Key Crank Arm, Offset Crank Retainers (2), 18-Oz. Vinyl Tarp.

**Key Features | Grain Trailer:** 5" Belt w/2" Ratchet Hold-Downs, Standard Tarp Stops, Galvanized Steel Bows/Brackets, Aluminum Caps w/Radius Corner Front Cap, 1" Ridge Strap, Rope Return, Square Key Crank Arm, Offset Crank Retainers (2), 18-Oz. Vinyl Tarp.

**Key Features | End Dump:** 5" Belt w/2" Ratchet Hold-Downs, Easy-Off Tarp Stops, Fabric Front/Rear Caps, 1" Ridge Strap (Standard/Aluminum Kits), Rollaway Ridgepole (HD/TPB Kits), Rope Return, Square Key Crank Arm, Offset Crank Retainers (2), 22-Oz. Vinyl Tarp.



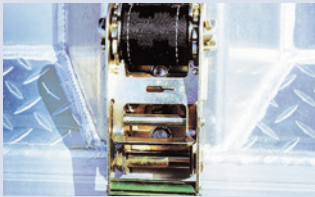
In the chart at right, features that come standard for end dumps are indicated, but you can also see what options are available for this application in each category. Recommended hardware quantities are noted in the chart below.

## HARDWARE QTY

SIZE	TARP STOPS	STD BOWS	HD BOWS	TURNING POINT™	DURA BOW™	ALUM BOWS	STRAPS/RATCHETS
20'-22'	3	4	2	3	4	4	3
23'	3	4	2	3	5	4	3
24' to 26'	4	5	2	4	5	5	4
27' to 30'	5	6	2	5	6	6	5
31' to 34'	5	7	2	5	7	7	5
35' to 38'	6	8	3	6	8	8	6
39' to 43'	6	9	3	6	9	9	6
44' to 46'	7	10	3	7	10	10	7
47' to 48'	7	11	4	7	11	11	7

See REPLACEMENT TARPS, pgs. 34-35.

RATCHET HOLD-DOWN



EASY-OFF TARP STOP



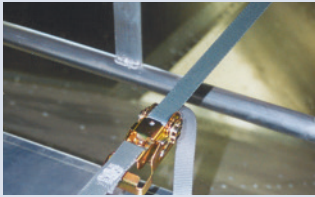
SQUARE KEY CRANK ARM



FABRIC CAP



1" RIDGE STRAP



ROLLAWAY RIDGEPOLE



OFFSET CRANK RETAINER



ROPE RETURN



## FEATURES AND OPTIONS | END DUMPS

HOLD-DOWNS	
● 5' Belt w/2" Ratchet Hold-Downs	Standard
Strap Hold-Down w/Hook	Add/Ea.
Cable Hold-Down	Add/Ea.
TARP STOPS	
● Easy-Off Tarp Stops	Standard
Standard Tarp Stop	Deduct/Ea.
Flexible Easy-Off Tarp Stop	Add/Ea.
6" Offset Easy-Off Tarp Stop	Add/Ea.
6" Offset Flexible Easy-Off Tarp Stop	Add/Ea.
BOWS/BRACKETS	
Turning Point™ Bow/Bracket* - For Alumatech Trailer	Add
Adjustable Galvanized (LR/HR) Bow/Bracket	Add/Ea.
No Galvanized Steel (LR/HR) Bow/Bracket	Deduct/Ea.
No Heavy-Duty Bow/Bracket	Deduct/Ea.
No Aluminum Bow/Bracket	Deduct/Ea.
No Durabow™ Bow/Bracket	Deduct/Ea.
Aluminum Brackets - For Durabow™ (2)	Add/Set
END CAPS	
● Fabric (LR/HR) Front/Rear Caps	Standard
Combo Cap	Add
Poorboy Rear Tapered Flap	Deduct
No Rear Cap	Deduct
Aluminum (LR) Universal Front Cap	
Poorboy Front Tapered Flap	
Poorboy Front Radius/Diagonal Fitted Flap	
No Front Cap	Deduct
RIDGE SUPPORTS	
● 1" Ridge Strap - Standard on Standard & Aluminum Bow Kit	
● Ridgepole - Standard on Heavy-Duty & Turning Point™ Bow Kit	
Additional 1" or 2" Ridge Strap (39")	Add/Ea.
Additional 1" or 2" Ridge Strap (46")	Add/Ea.
Additional 1" or 2" Ridge Strap (56")	Add/Ea.
No Ridge Strap	Deduct/Ea.
ROLL RETURNS	
● Rope Return	Standard
CRANK ARMS	
● Crank Arm w/Square Key	Standard
Crank Arm Extension	Add
Leave-On Crank Option**	Add
RETAINERS	
● Offset Crank Retainers (2)	Standard
Offset Pinless Crank Retainers (2)	Add/Set
TARP OPTIONS	
● 22-Oz. Vinyl Tarp - Choice of Color***	Standard
Multicolored Fabric (per added color)	Add
Bow Reinforcements (10")	Add/Ea.
Tarp Reinforcements	Add/Ft.
ACCESSORIES	
Standard Tarp Repair Kit	Add
Professional Tarp Repair Kit	Add
Bow Sock	Add/Ea.
Molded Roll Tube Deflectors (2)	Add/Set

\*Turning Point™ bows/brackets are used for 39' Alumatech trailer ONLY.

\*\*Includes stretch cord return and wire lock pin.

\*\*\*Available colors: red, black, royal blue, white, green, maroon, tan, brown or gray. (Grape & Yellow N/A in 22 oz.)

NOTE: There is NO deduction in cost if you downgrade to 18-oz. fabric and NO warranty on the tarp.



## FEATURES AND OPTIONS | FARM BODIES

HOLD-DOWNS	
● 5' Belt w/2" Ratchet Hold-Downs	Standard
Strap Hold-Down w/Hook	Add/Ea.
Cable Hold-Down	Add/Ea.
TARP STOPS	
● Easy-Off Tarp Stops	Standard
Standard Tarp Stop	Deduct/Ea.
Flexible Easy-Off Tarp Stop	Add/Ea.
6" Offset Easy-Off Tarp Stop	Add/Ea.
6" Offset Flexible Easy-Off Tarp Stop	Add/Ea.
BOWS/BRACKETS	
● Galvanized Steel (LR/HR) Bows/Brackets	Standard
Adjustable Galvanized Steel (LR/HR) Bow/Bracket	Add/Ea.
Add'l. Galvanized Steel (LR/HR) Bow/Bracket	Add/Ea.
Add'l. Adjustable Galv. Steel (LR/HR) Bow/Bracket	Add/Ea.
No Galvanized Steel (LR/HR) Bow/Bracket	Deduct/Ea.
END CAPS	
● Aluminum (LR/HR) End Caps	Standard
Easy-Off Aluminum (LR/HR) Rear Cap	Add
Galvanized Steel (LR/HR) Rear Cap	Deduct
Fabric (LR/HR) Rear Cap	Add
Poorboy Rear Tapered Flap	
No Rear Cap	Deduct
Radius/Diagonal Aluminum (LR/HR) Front Cap	Add
Easy-Off Aluminum (LR/HR) Front Cap	Add
Galvanized Steel (LR/HR) Front Cap	Deduct
Aluminum (LR) Universal Front Cap	Add
Fabric (LR/HR) Front Cap	Add
No Front Cap	Deduct
RIDGE SUPPORTS	
● 1" Ridge Strap	Standard
2" Ridge Strap	
Additional 1" or 2" Ridge Strap (25')	Add/Ea.
No Ridge Strap	Deduct/Ea.
ROLL RETURNS	
● Rope Return	Standard
CRANK ARMS	
● Crank Arm w/Square Key	Standard
Crank Arm Extension	Add
Leave-On Crank Option*	Add
RETAINERS	
● Offset Crank Retainers (2)	Standard
Offset Pinless Crank Retainers (2)	Add/Set
TARP OPTIONS	
● 18-Oz. Vinyl Tarp - Choice of Color**	Standard
22-Oz. Vinyl Tarp - Choice of Color**	Add
Multicolored Fabric (per added color)	Add
Tarp Reinforcements	Add/Ft.
ACCESSORIES	
Standard Tarp Repair Kit	Add
Professional Tarp Repair Kit	Add
Bow Sock	Add/Ea.
Molded Roll Tube Deflectors (2)	Add/Set

\*Includes stretch cord return and wire lock pin.

\*\*Available colors: red, black, royal blue, white, yellow, green, grape, maroon, tan, brown or gray. (Grape & Yellow N/A in 22 oz.)

In the chart at left, features that come standard for farm bodies are indicated, but you can also see what options are available for these applications in each category. Recommended hardware quantities are noted in the chart below.

## HARDWARE QTY

SIZE	TARP STOPS	STANDARD BOWS	U-CLAMPS	STRAPS/RATCHETS
10' to 14'	3	2	6	3
15' to 18'	3	3	6	3
19' to 22'	4	4	8	4
23' to 24'	4	5	8	4

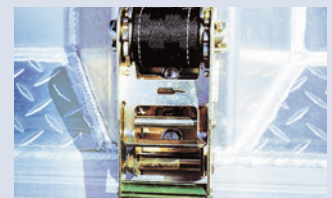
See REPLACEMENT TARPS, pgs. 34-35.

Please call for pricing for potato trailers.

STANDARD TARP STOP



RATCHET HOLD-DOWN



ALUMINUM END CAP



GALVANIZED BOW/BACKET



ROPE RETURN



1" RIDGE STRAP



OFFSET CRANK RETAINER



SQUARE KEY CRANK ARM



# KEEP TARPS ON TRAILERS IN WINDY WEATHER



## GUSTBUSTER™ TARP CORDS

Exclusive design – like no other tarp cord in the industry! GustBusters attach permanently to trailers to hold down tarps. Keep yours from flipping in the wind – and perhaps taking you with it. Unique dual-grommet design accommodates both 96" and 102" trailer widths.

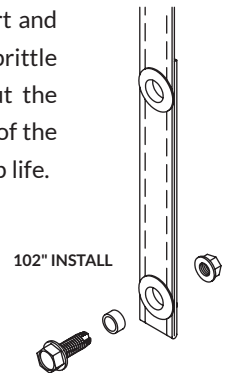
Moisture-resistant polyester construction reduces the chance of dirt and grime getting embedded in the webbing to keep cords from turning brittle and abrasive. Durable stretch membrane is integrated throughout the webbing, so it won't bunch up on one side of the trailer. Flat profile of the cords holds contact with the tarp, for better wear and extended tarp life.

Grommets are centered in the cord, for a balanced look and most secure attachment. Aluminum construction of both the grommet and bushing helps prevent corrosion, upping the resistance factor, and matches the mounting screw for a sharper look.

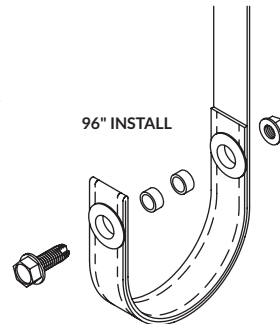
**Key Features:** GustBuster™ Cords (2), Textured Poly Webbing, Dual-Grommet Ends, Aluminum Grommet/Bushing, Mounting Hardware, Easy-to-Follow Instructions.



Watch the GustBuster™ tarp cords in action!



102" INSTALL



96" INSTALL





## BOW COVERS



### Standard

Vinyl-coated compound protects bows against wear. Reduces grain splatter.



### Durabow™ Bow Sock

Designed to protect Durabows from pitting. Extends the life of bows and tarp.

## BOWS/BRACKETS



### Galvanized Steel

Bracket lets bow flex to allow for box expansion. Extended version also available.



### Adjustable

Adjusts bow length without cutting/welding loose shank. Secured with 5/16-inch bolt.



### Aluminum

Prevents a chemical reaction that occurs if steel is used on an aluminum trailer.



### Heavy Duty

Beefed-up bow permits bow spacing up to 12 feet apart. Used with rollaway ridgepole.



### Flat

Flattened version of a heavy-duty bow - no-rise design for less loader interference.



### Durabow™

Molded resin bow supports tarp but has enough give to be left on during loading.



### Stainless Steel

Our universal bow bracket in stainless steel. For durability in corrosive environments.



### Turning Point™

Angled bracket allows bow to move freely. Swings up and over loads without binding.

## CRANK ARMS



### Straight

Provides 4-position length adjustment. Mounts horizontally or vertically. In 3 sizes.



### Shur-Flex™

Pivots on a knuckle and folds for storage. Stores on side to accommodate rear doors.



### Square Key

Improved pilot crank key on econo-joint makes for easier crank installation or removal.

## CRANK ARM HARDWARE



### Standard Retainer

Traditional J-hook makes use of pins and cables to secure crank to trailer.



### Pinless Retainer

Secures crank arm to trailer without pins or cables. Safe and easy to use.



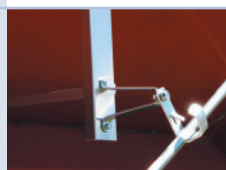
### Offset Pinless Retainer

Provides added security, eliminates pin-and-cable hassles. Use on either side of trailer.



### Standoffs

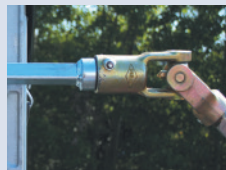
Choose from 2-inch, 3-inch, 7-inch and 11-inch sizes for optimal retainer placement.



### Universal Retainer Support

Accommodates a non-vertical configuration on carts or wagons. In 24, 33 and 42 inches.

## CRANK ASSEMBLIES



### Extendable Spline

Allows crank arm and U-joint to slide forward, bypassing hinges and clearing rear doors.

## END CAPS



### Galvanized Steel

Weld-free construction offers corrosion resistance. Front guard reduces wind whip.



### Aluminum

Sharper match for aluminum trailers. High-rise option provides more space for loads.



### Easy-Off Aluminum

Anchors with an over-center clamp inside box for easier access and faster removal.



### Fabric

Forms watertight seal where tarp and trailer meet. Flexes to prevent loading damage.



### Easy-Off Fabric

Facilitates fast, easy removal. Bolts on or secures with bungee cord tiedowns.



### Universal Aluminum

Flat 22-inch extension is cut and shaped at install. For trailers with hard-to-fit fronts.



### Stainless Steel

For increased corrosion resistance, more durable performance and sharper appearance.



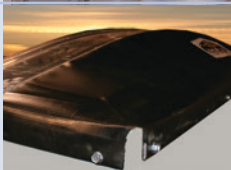
### Fabric Flap/Poorboy Tail

Increased loading space and cargo protection. Poorboy tail is built right into tarp.



### Universal Flat

Flat, 22-inch extension helps minimize total height of trailer for hard-to-fit models.



### Combo Cap

Arched, fixed aluminum surface offers an improved seal, less wear on fabric portion.

## HIGH-LIFT END GATES



### Offset Adjustable Bracket

Allows spacing of latchplate and tarp stop out flush with width of end gate. Used primarily for high-lift end gates.

## HOLD-DOWNS



### Strap Tiedown

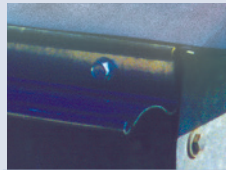
Fast and easy to use. Durable; withstands use and abuse. In 7-foot and 9-foot lengths.



### Ratchet Hold-Down

Available in D-ring and feed-through hook styles. Optional quick-release straps.

## LATCHPLATES



### Galvanized Steel

Runs entire length of box to offer resistance for roll tube to snug up against.



### Aluminum

Lighter-weight version of galvanized latchplate, for a more professional appearance.

## RETURNS



### PBR Rope

Solid braid run through hole in tarp helps to pull tarp over. Secures with box hooks.



### Stretch Cord

Helps guide front of roll tube across end cap. A protective cover reduces fraying.



### Cable Return

Uses a non-stretch cable and steel tension spring. Installs on front or rear of trailer.



### Shur-Return™

Non-stretch solid braid rope with heavy-duty steel tension spring. Works well in cold.



## RIDGE SUPPORTS



### Ridge Strap

Stretch-resistant webbing prevents tarp sag between bows. In 1-inch and 2-inch sizes.



### Stainless Ridge Strap

Same design as our standard ridge strap – in stainless steel for more corrosion resistance.



### Dual Ridge Straps

Offset placement offers bigger opening and clear flow for loading. Cuts grain splatter.



### Rollaway Ridgepole

Steel pole with protective end caps. Slides into pocket, then rolls up along with tarp.

## ROLL TUBE DEFLECTORS



### Molded Deflector

Reduces dings and scratches on carts and trailers. High-impact plastic, in black or gray.

## TARP OPTIONS



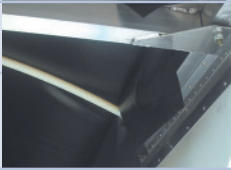
### Solid Vinyl-Coated Fabric

Heat-welded seams provide an added moisture barrier. Built-in UV inhibitors resist fading.



### Mesh Fabric

Durable lightweight fabric offers good air circulation in addition to secure containment.



### Active Decontamination Flap

Helps keep product off of top rails after loading, dumping it back into load.



### Load Hole Flap

Velcro® with buckle fastener facilitates all-weather loading, dust control. Not waterproof.



### Multicolored Fabric

Custom color creates high visibility for instant recognition. Acts as a deterrent to theft.

## TARP REPAIR



### Standard Kit

One pint of cleaner, 1 quart of vinyl cement and 10 square feet of vinyl-coated fabric.



### Professional Kit

Includes a Wagner heat gun, scissors, roller, 10 square feet of fabric and instructions.

## TARP STOPS

All interchangeable – use same hole spacing.



### Standard

Attaches fixed tube to side of trailer. Protective rubber top guards tarp from sharp edges.



### 3" Offset

Configured to store tarp off to side of top rail for additional loading space.



### Recessed

Wraps outside of narrow top rail on grain carts. Accommodates lip in-lip out top rails.



### Redesigned Easy-Off

Taller, with a patent-pending curved tip. Keeps tarp from getting hung up and rubbing.



### Flexible Easy-Off

Bends even in subzero cold. Impact and abrasion resistant with embedded safety plates.



### Redesigned 6" Offset EO

Offset design offers maximum loading space. Taller, with a patent-pending curved tip.



### 6" Offset Flexible Easy-Off

All the advantages of regular 6-inch offset easy-off stops, plus cold-temp flexibility.



### Easy-Off Belt Flex

Belted to flex in low clearance to end tarp stop damage. A 6-inch offset style also available.



### Powder-Coated/Stainless

Our basic easy-off stop – with a black powder-coated finish and stainless steel stop body.

# SHUR-LOK® BOX DETAILS For Grain Carts and Wagons

Shur-Lok® tarps are custom made to order and are nonreturnable. The correct measurements are essential for proper tarp fit. Please provide all requested information or your order may be delayed.

Please do not use universal box sizes; always use the actual physical measurements. Box size and finished tarp size are not the same.

Go online at [www.shurco.com](http://www.shurco.com) to find box detail sheets that you can fill out on your computer and email to [sales@shurco.com](mailto:sales@shurco.com) or forms to print off, fill out and fax to 605.665.0501.

MAKE \_\_\_\_\_ MODEL \_\_\_\_\_ YEAR \_\_\_\_\_

A \_\_\_\_\_ UPPER OUTSIDE BOX LENGTH

B \_\_\_\_\_ UPPER OUTSIDE BOX WIDTH

Front \_\_\_\_\_ Center \_\_\_\_\_ Rear \_\_\_\_\_

N \_\_\_\_\_ TOP RAIL WIDTH

U \_\_\_\_\_ INSIDE BOX WIDTH

X \_\_\_\_\_ UPPER OUTSIDE BOX HEIGHT

LIP IN     LIP OUT

REAR CONFIGURATION

VERTICAL     SLOPED

BOX EXTENSION STYLE | See Figures 1 and 2

FLAT     SLANTED     FLAT W/ANGLE

SLANTED W/ANGLE     SLANTED W/OVERHANG

SLANTED W/OVERHANG AND ANGLE

SLANTED W/OVERHANG AND VERTICAL EDGE

BOX EXTENSION DIMENSIONS

B4 \_\_\_\_\_ EXTENSION WIDTH

X1 \_\_\_\_\_ EXTENSION HEIGHT DRIVER SIDE

X2 \_\_\_\_\_ EXTENSION HEIGHT PASSENGER SIDE

X3 \_\_\_\_\_ LOWER EXTENSION ANGLE

X4 \_\_\_\_\_ EXTENSION VERTICAL EDGE

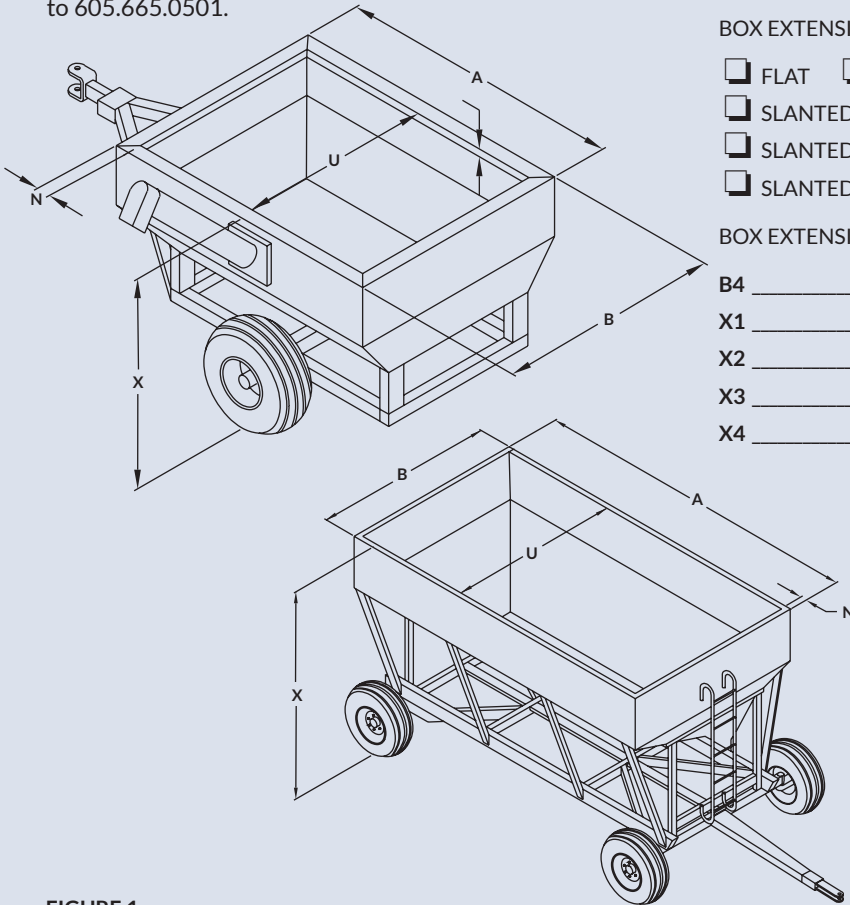
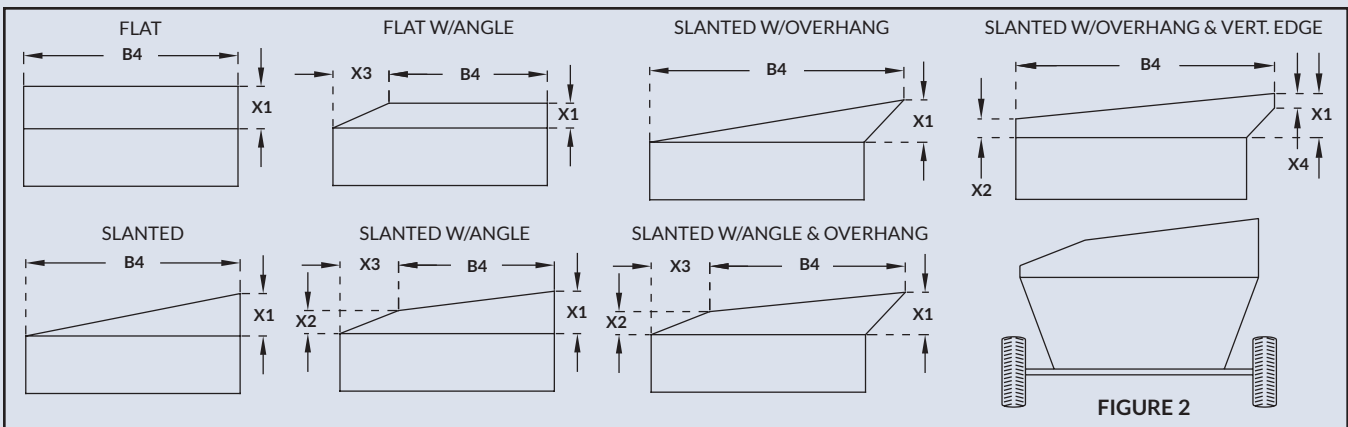


FIGURE 1



NOTE: Flat caps can only be used on a SLANTED extension (see above), and the side walls must be vertical. If ordering galvanized caps, make sure box is flat across top. Figure 2 shows a box with an uneven angle across the top. Galvanized caps will NOT fit this box; you must order fabric caps instead.



# SHUR-LOK® BOX DETAILS For Farm Bodies, Fertilizer Tenders and Spreaders

MAKE \_\_\_\_\_ MODEL \_\_\_\_\_ YEAR \_\_\_\_\_

A \_\_\_\_\_ UPPER BOX LENGTH

B \_\_\_\_\_ UPPER BOX WIDTH

Front \_\_\_\_\_ Center \_\_\_\_\_ Rear \_\_\_\_\_

N \_\_\_\_\_ TOP RAIL WIDTH

U \_\_\_\_\_ INSIDE BOX WIDTH

X \_\_\_\_\_ OUTSIDE BOX HEIGHT FROM GROUND

CORNER CONFIGURATION *See Figure 1*

SQUARE     DIAGONAL     RADIUS

C \_\_\_\_\_ OUTSIDE CORNER RADIUS | *For all radius fronts*

E \_\_\_\_\_ FLAT ACROSS FRONT

V \_\_\_\_\_ FLAT ACROSS DIAGONAL

W \_\_\_\_\_ DIAGONAL DEPTH

**IF SPREADER:**

GRANULAR BIN:     INSIDE BOX     OUTSIDE BOX

SPREADER STYLE:     SELF-PROPELLED     AIR SYSTEM

SPINNER     PULL-TYPE SPINNER

**IF TENDER:**

MOUNTING STYLE:     TRUCK     TENDER

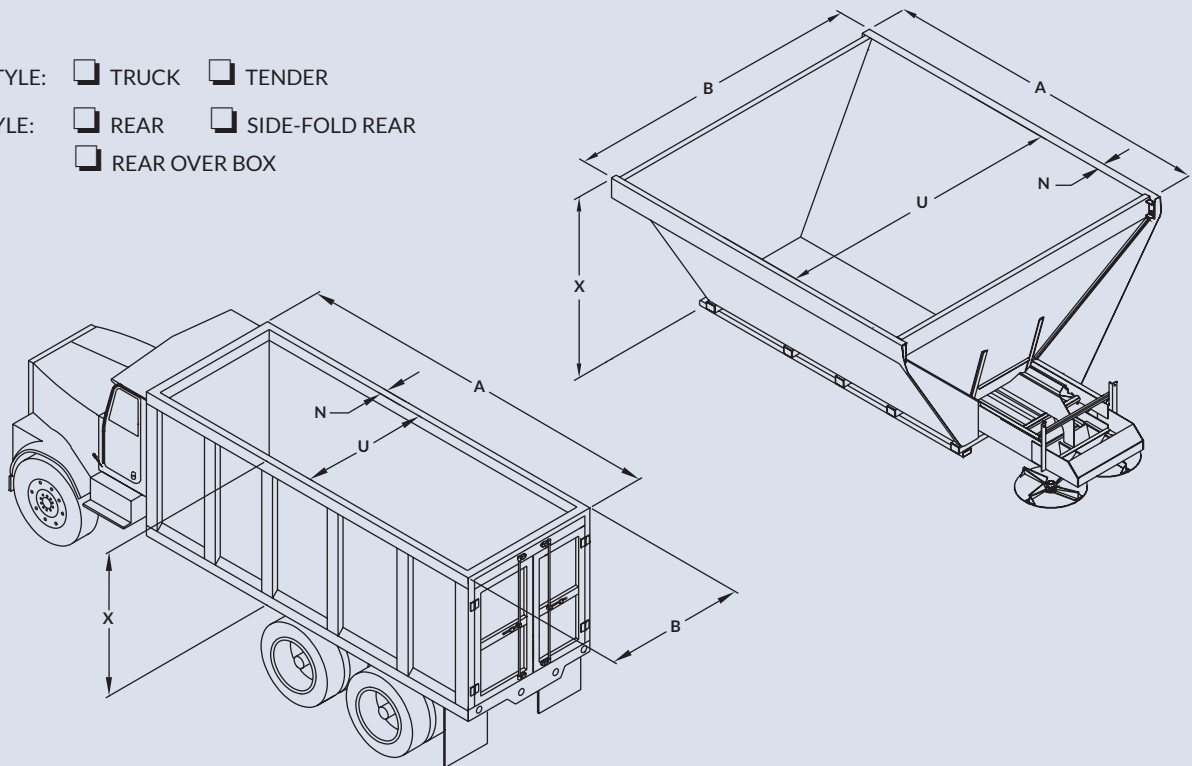
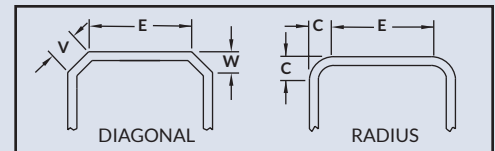
SPREADER STYLE:     REAR     SIDE-FOLD REAR

REAR OVER BOX

Shur-Lok® tarps are custom made to order and are nonreturnable. The correct measurements are essential for proper tarp fit. Please provide all requested information or your order may be delayed.

Please do not use universal box sizes; always use the actual physical measurements. Box size and finished tarp size are not the same.

Go online at [www.shurco.com](http://www.shurco.com) to find box detail sheets that you can fill out on your computer and email to [sales@shurco.com](mailto:sales@shurco.com) or forms to print off, fill out and fax to 605.665.0501.



# SHUR-LOK® BOX DETAILS For Grain Trailers

Shur-Lok® tarps are custom made to order and are nonreturnable. The correct measurements are essential for proper tarp fit. Please provide all requested information or your order may be delayed.

Please do not use universal box sizes; always use the actual physical measurements. Box size and finished tarp size are not the same.

Go online at [www.shurco.com](http://www.shurco.com) to find box detail sheets that you can fill out on your computer and email to [sales@shurco.com](mailto:sales@shurco.com) or forms to print off, fill out and fax to 605.665.0501.

MAKE \_\_\_\_\_ MODEL \_\_\_\_\_ YEAR \_\_\_\_\_

A \_\_\_\_\_ UPPER BOX LENGTH  
 A1 \_\_\_\_\_ TAPERED UPPER LENGTH  
 A2 \_\_\_\_\_ TAPERED LOWER LENGTH

B \_\_\_\_\_ UPPER BOX WIDTH  
 Front \_\_\_\_\_ Center \_\_\_\_\_ Rear \_\_\_\_\_

N \_\_\_\_\_ TOP RAIL WIDTH

U \_\_\_\_\_ INSIDE BOX WIDTH

X \_\_\_\_\_ BOX HEIGHT

### CORNER CONFIGURATION

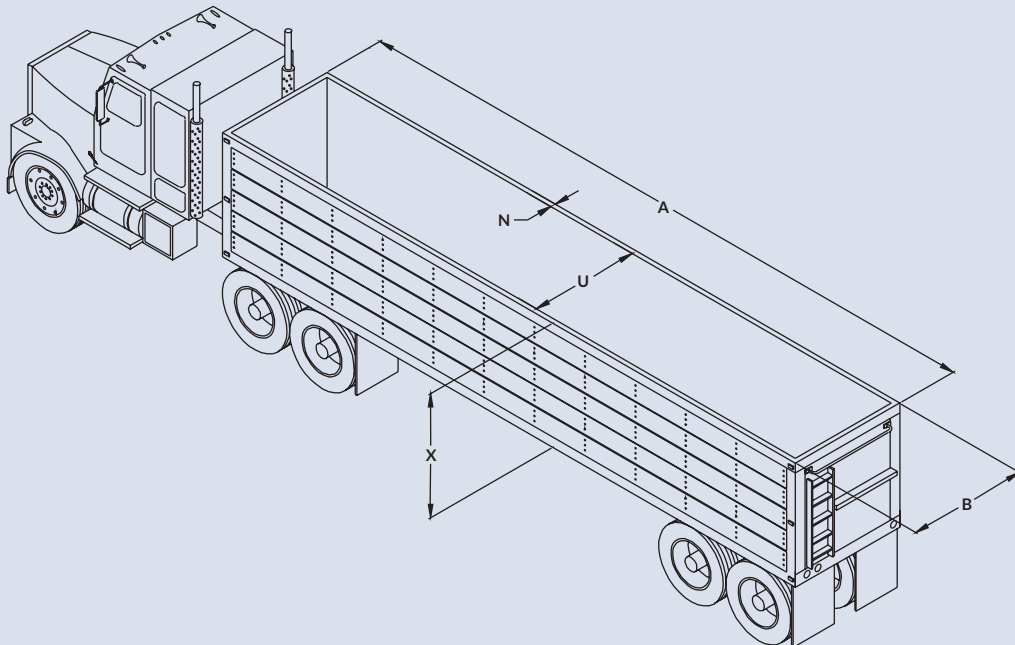
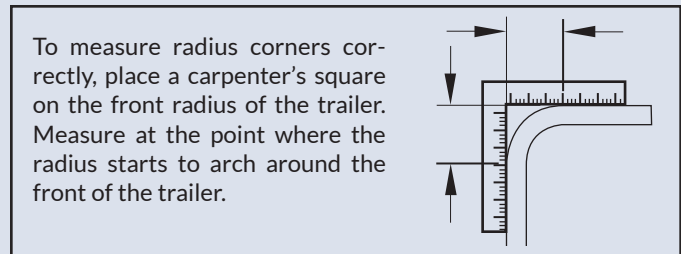
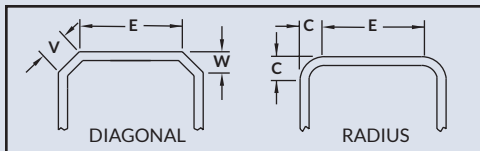
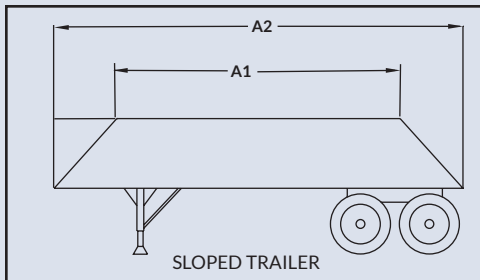
SQUARE       DIAGONAL       RADIUS

C \_\_\_\_\_ OUTSIDE CORNER RADIUS | *For all radius fronts*

E \_\_\_\_\_ FLAT ACROSS FRONT

V \_\_\_\_\_ FLAT ACROSS DIAGONAL

W \_\_\_\_\_ DIAGONAL DEPTH





# SHUR-LOK® BOX DETAILS For End Dumps

MAKE \_\_\_\_\_ MODEL \_\_\_\_\_ YEAR \_\_\_\_\_

A \_\_\_\_\_ UPPER BOX LENGTH  
 B \_\_\_\_\_ UPPER BOX WIDTH  
 Front \_\_\_\_\_ Center \_\_\_\_\_ Rear \_\_\_\_\_  
 N \_\_\_\_\_ TOP RAIL WIDTH  
 U \_\_\_\_\_ INSIDE BOX WIDTH  
 X \_\_\_\_\_ BOX HEIGHT

**CORNER CONFIGURATION** | *Must select one*

- SQUARE     DIAGONAL     RADIUS/NO RECESS  
 SQUARE RECESS     DIAGONAL RECESS

C \_\_\_\_\_ OUTSIDE CORNER RADIUS *For all radius fronts*  
 D \_\_\_\_\_ RECESSED WIDTH    E \_\_\_\_\_ FLAT ACROSS FRONT  
 F \_\_\_\_\_ FRONT-CORNER POST    G \_\_\_\_\_ GUSSET LENGTH  
 V \_\_\_\_\_ FLAT ACROSS DIAGONAL    W \_\_\_\_\_ DIAGONAL DEPTH

**TARP RAIL STYLE**

- SQUARE     SELF CLEANING     SQUARE W/PLANKS\*

\*Are planks flush with outside of top rail? Y / N (Circle one)

**TARP RAIL DROP**

- FRONT     REAR

L \_\_\_\_\_ BULKHEAD DEPTH    O1 \_\_\_\_\_ FRONT TOP RAIL DROP  
 M \_\_\_\_\_ THRESHOLD DEPTH    O2 \_\_\_\_\_ REAR TOP RAIL DROP

**FRONT END STYLE**

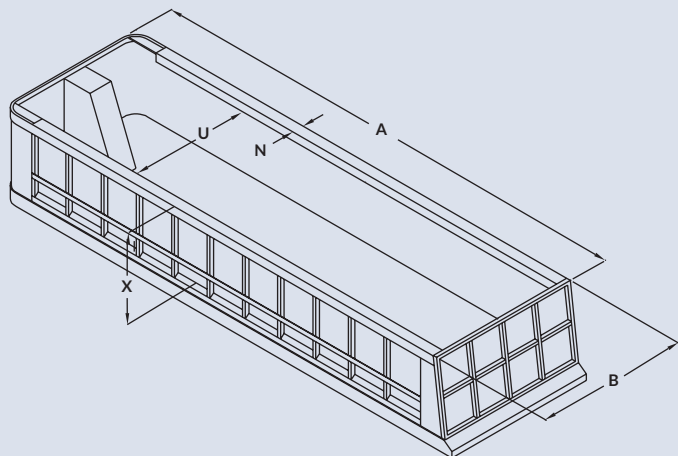
- RAISED FRONT SHIELD     RAISED SHIELD/FLAT TOP RAIL  
 SLANT W/CURVED RAISED FRONT     SLANT W/SQUARE RAISED FRONT  
 SQUARE TUB W/INVERTED RAM

AD \_\_\_\_\_ CYLINDER HEIGHT    J \_\_\_\_\_ UPPER SHIELD WIDTH  
 AE \_\_\_\_\_ DOGHOUSE DEPTH    J1 \_\_\_\_\_ DOGHOUSE WIDTH  
 H \_\_\_\_\_ SHIELD HEIGHT    K \_\_\_\_\_ LOWER SHIELD WIDTH

**REAR DUMP STYLE**

- OVERSLUNG HINGE GATE     COMBO DOOR HINGE GATE  
 HIGH POWER LIFT GATE     RAISED HINGE GATE

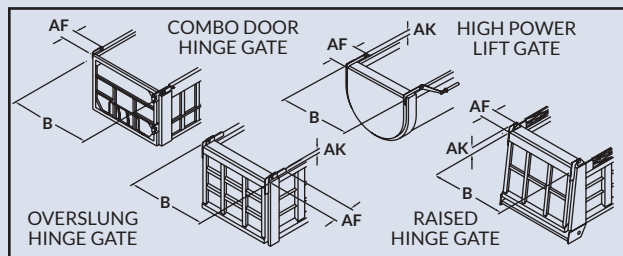
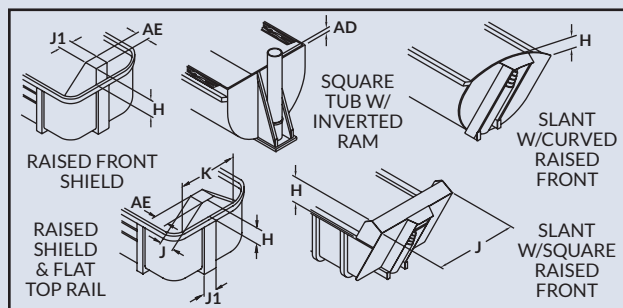
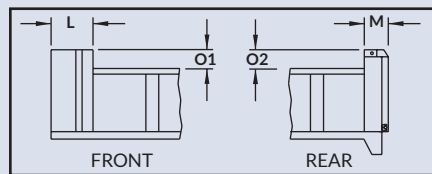
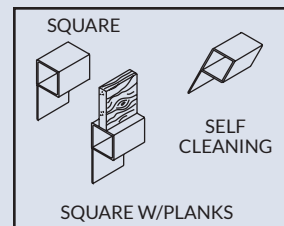
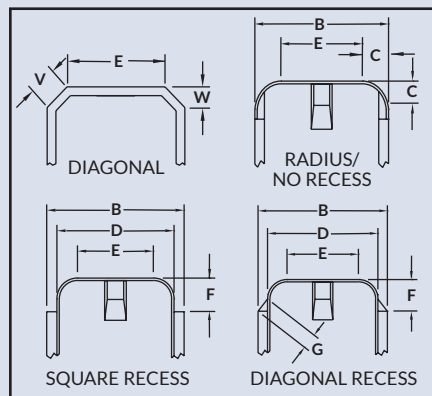
AF \_\_\_\_\_ HINGE DEPTH  
 B \_\_\_\_\_ BOX WIDTH/REAR  
 AK \_\_\_\_\_ HINGE HEIGHT



Shur-Lok® tarps are custom made to order and are nonreturnable. The correct measurements are essential for proper tarp fit. Please provide all requested information or your order may be delayed.

Please do not use universal box sizes; always use the actual physical measurements. Box size and finished tarp size are not the same.

Go online at [www.shurco.com](http://www.shurco.com) to find box detail sheets that you can fill out on your computer and email to [sales@shurco.com](mailto:sales@shurco.com) or forms to print off, fill out and fax to 605.665.0501.



## REPLACEMENT PARTS INDEX

SHUR-CO® EXPRESS TARPS.....	32
SHUR-CO® POPULAR PARTS .....	33
TARP REPAIR SUPPLIES.....	34
SHUR-LOK® AND PBR	
Bow Covers.....	35
Bows.....	35-41
Crank Arms.....	42-43
Crank Retainers.....	44
End Caps.....	45-50
High-Lift End Gates.....	51
Hold-Downs.....	51
Latchplates.....	51
Returns.....	52-55
Ridge Straps.....	56-57
Ridgepoles.....	57
Roll Tube Deflectors.....	58
Tarp Cords.....	58
Tarp Stops.....	59
Tarp Tubes.....	60
SHUR-LOK® JUNIOR.....	61

Check out our Genuine Shur-Co® replacement parts, professionally engineered in compliance with the most stringent safety standards. All have excelled in rigorous field testing and are proven to fit and function better.

Shur-Co's strict quality and tolerance guidelines promote dependable product interchangeability. For example, even if a Shur-Lok® is 20 years old, new Shur-Lok® parts are guaranteed to fit. Remember that utilizing non-Genuine parts voids your warranty.

NOTE: All components other than standard may require non-refundable engineering/manufacturing fees. Call for details.

## SHUR-LOK® EXPRESS TARPS



### AFFORDABLE AND READY FOR SHIPPING

Shur-Co® Express offers same-day shipping on stock tarp orders from the part-numbered list at right that are placed by 12:00 noon Central Time on our dedicated express line (*below*). We offer 12 sizes designed to fit the most common trailer sizes. If the size you need is not listed, we will fabricate to your length specifications and ship the next business day, depending on method of delivery, destination and size of order.

All Shur-Co® Express orders are processed at our Vermillion, SD service center and cut and sewn at our Yankton, SD manufacturing facility. Most are built to Super Duty width (123 inches) and are only available for trailers 96 inches wide.

**To place your orders, call: 605.658.1020**

PART #	LENGTH	WIDTH	WEIGHT	COLOR	FABRIC
1901256	31' 6"	123"	18-Oz.	Black	Vinyl
1901257	35' 9"	123"	18-Oz.	Black	Vinyl
1901258	37'	123"	18-Oz.	Black	Vinyl
1901259	38' 8"	123"	18-Oz.	Black	Vinyl
1901260	39'	123"	18-Oz.	Black	Vinyl
1901261	39' 6"	123"	18-Oz.	Black	Vinyl
1901329	39' 10"	123"	18-Oz.	Black	Vinyl
1901262	40' 1"	123"	18-Oz.	Black	Vinyl
1901270	40' 10"	123"	18-Oz.	Black	Vinyl
1901263	41' 3"	123"	18-Oz.	Black	Vinyl
1901745	41' 3"	129"	18-Oz.	Black	Vinyl
1901271	41' 10"	123"	18-Oz.	Black	Vinyl
1901264	42' 1"	123"	18-Oz.	Black	Vinyl
1901744	42' 1"	129"	18-Oz.	Black	Vinyl
1901423	49'	123"	18-Oz.	Black	Vinyl
1901266*	42' 6"	123"	18-Oz.	Black	Vinyl
1901265*	48' 8"	123"	18-Oz.	Black	Vinyl

\*These sizes are blanks that can be finished to your tarp length specifications. Price includes charge to finish tarp to custom length.



# MOST POPULAR SHUR-CO® REPLACEMENT PARTS



1100171 Standard Crank Arm - 24"



1125680 GustBuster™ Tarp Cords - GT - 2 Cords



1101929 Offset J-Hook Crank Retainer Kit



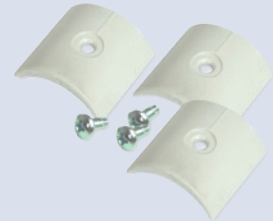
1701243 Splined U-Joint



1111094 EO Aluminum Tarp Stop Assembly



1118389 Clevis Pins w/Bowtie Cotter Pins



1115966 U-Clamps w/Screws



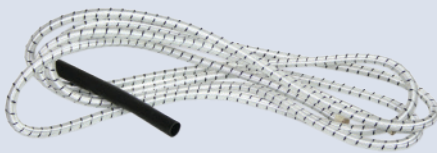
1100834 Easy-Off Aluminum Tarp Upright



1115216 Easy-Off Flexible Tarp Stop Upright



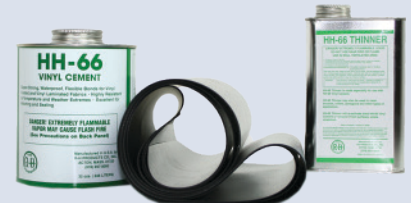
1107049 Pinless Crank Retainer



1114360 Roll Return Stretch Cord - 11'6"



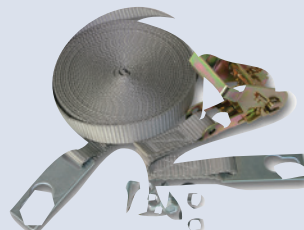
1111092 Tarp Stop w/Cap & Hardware



1102111 Tarp Repair Kit



1101685 1" Ridge Strap Kit w/Anchor - 25'



1101687 1" Ridge Strap Kit w/Anchor - 46'



1119034 End Plug w/Screw

# REPLACEMENT PARTS INDEX

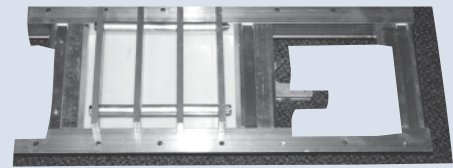
TRAP-EZE™ FLOOR TRAP ..... 34

TARP REPAIR SUPPLIES..... 34

SHUR-LOK® AND PBR

- Bow Covers ..... 35
- Bows ..... 35-41
- Crank Arms ..... 42-43
- Crank Retainers..... 44
- End Caps ..... 45-50
- High-Lift End Gates ..... 51
- Hold-Downs..... 51
- Latchplates..... 51
- Returns..... 52-55
- Ridge Straps..... 56-57
- Ridgepoles ..... 57
- Roll Tube Deflectors ..... 58
- Tarp Cords ..... 58
- Tarp Stops..... 59
- Tarp Tubes..... 60

SHUR-LOK® JUNIOR ..... 61



## TRAP-EZE™ FLOOR TRAP P/N 1101494

Super-smooth operation – no binding! Durable nylon slide glides cleanly on its aluminum track. Welded aluminum frame will not rust.



Tarp Repair Video

Shur-Co® has created a number of how-to videos, with QR codes to take you right to them. The one pictured here links to step-by-step instructions on tarp repair.

Download any QR scanner app to your Smartphone. Open the app, then hover your phone over your chosen QR code.

## TARP REPAIR SUPPLIES

ITEM	PART #	DESCRIPTION
	1108059	Professional Tarp Repair Kit*
	1102111	Standard Tarp Repair Kit*
	1703251	Handi Grommet Kit w/Grommets
1	1111869	2" x 3" Patch w/Radius Corners
2	1111870	3" x 4" Patch w/Radius Corners
3	1111871	4" x 5" Patch w/Radius Corners
4	1111872	3" Round Patch
5	1701391	Wooden Roller
6	1128714	Vinyl Tarp Remnant - Black
	1107371	Vinyl Tarp Remnant (specify color)
7	1700697	HH-66 Thinner - Pint
8	1700602	HH-66 Thinner - Gallon
9	1700356	HH-66 Vinyl Cement - 8 Oz.
10	1700355	HH-66 Vinyl Cement - Quart
11	1700354	HH-66 Vinyl Cement - Gallon
12	1700673	#3 Brass Grommet (minimum order 25)
	1706352	Vinyl Repair Tape - 6" x 50' (not shown)
	1128814	Tarp Repair Kit w/Vinyl Tape - 6" x 10' (not shown)



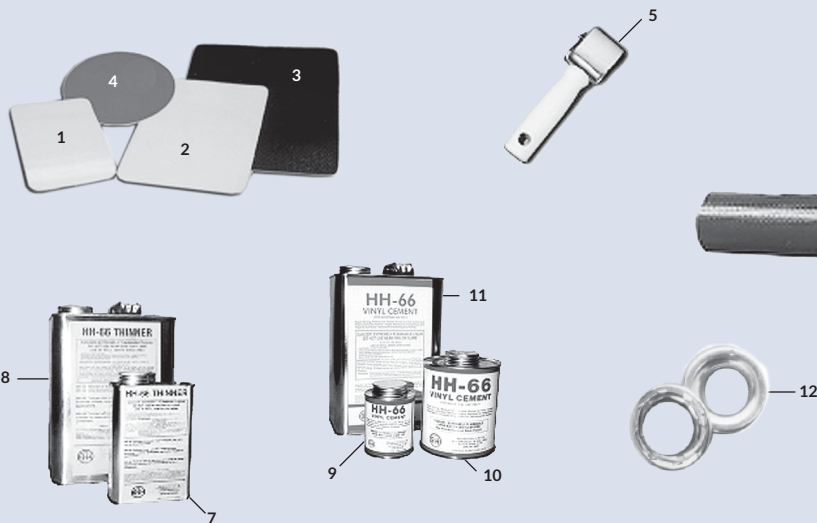
**PROFESSIONAL KIT**  
INCLUDES SCISSORS, 10 SQ. FT. REPAIR FABRIC, ROLLER, HEAT GUN/NOZZLE AND INSTRUCTIONS



**STANDARD KIT**  
INCLUDES 1 PT. THINNER, 1 QT. CEMENT, INSTRUCTIONS AND 10 SQ. FT. REPAIR FABRIC



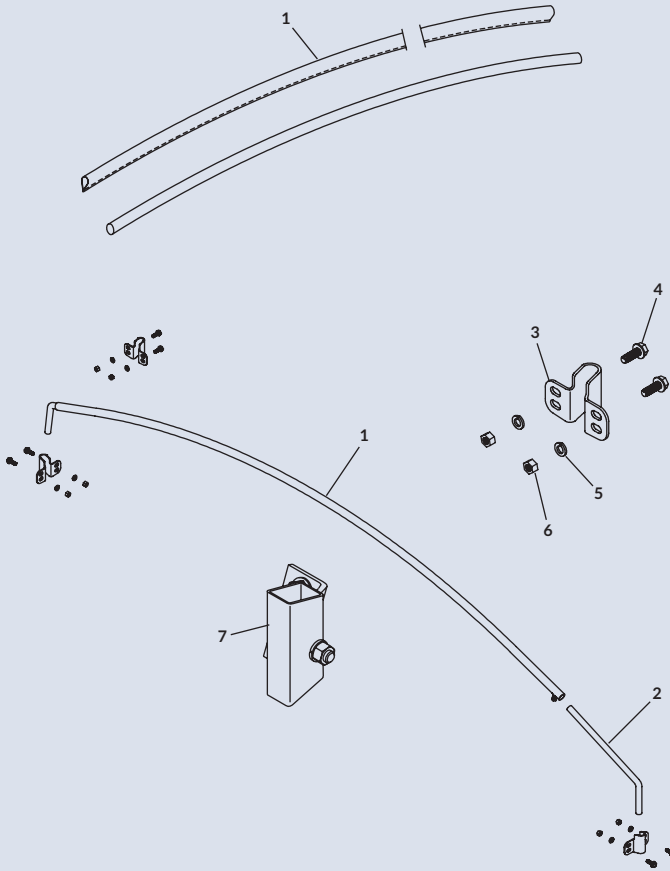
**GROMMET KIT**  
INCLUDES CUTTER, HANDLE, BASE, GROMMETS AND WASHERS





## BOW COVERS

ITEM	PART #	DESCRIPTION
1	1111335	Bow Sock



## BOWS – ADJUSTABLE GALVANIZED STEEL

ITEM	PART #	DESCRIPTION
	1122754	Adjustable Galvanized Bow Kit - 8" Rise* - 84" to 92" [Includes 1; 2; 2 of 3; 4 of 4, 5 & 6]
	1122756	Adjustable Galvanized Bow Kit - 8" Rise* - 93" to 101" [Includes 1; 2; 2 of 3; 4 of 4, 5 & 6]
	1122724	Adjustable Galvanized Bow Kit - 10" Rise* - 84" to 92" [Includes 1; 2; 2 of 3; 4 of 4, 5 & 6]
	1122757	Adjustable Galvanized Bow Kit - 10" Rise* - 93" to 101" [Includes 1; 2; 2 of 3; 4 of 4, 5 & 6]
	1122755	Adjustable Galvanized Bow Kit - 12" Rise* - 84" to 92" [Includes 1; 2; 2 of 3; 4 of 4, 5 & 6]
	1122758	Adjustable Galvanized Bow Kit - 12" Rise* - 93" to 101" [Includes 1; 2; 2 of 3; 4 of 4, 5 & 6]
	1123932	Adjustable Galvanized Bow w/Shank - 8" Rise* - 84" to 92" [Includes 1; 2]
	1123934	Adjustable Galvanized Bow w/Shank - 8" Rise* - 93" to 101" [Includes 1; 2]
	1122719	Adjustable Galvanized Bow w/Shank - 10" Rise* - 84" to 92" [Includes 1; 2]
	1122825	Adjustable Galvanized Bow w/Shank - 10" Rise* - 93" to 101" [Includes 1; 2]
	1123933	Adjustable Galvanized Bow w/Shank - 12" Rise* - 84" to 92" [Includes 1; 2]
	1123935	Adjustable Galvanized Bow w/Shank - 12" Rise* - 93" to 101" [Includes 1; 2]
	1123871	Adjustable Bow Mounting Hardware - 8" Rise* [Includes 2; 2 of 3; 4 of 4, 5 & 6]
	1123872	Adjustable Bow Mounting Hardware - 12" Rise* [Includes 2; 2 of 3; 4 of 4, 5 & 6]
	1107711	Galvanized Bow Mounting Fasteners [Includes 4 of 4, 5 & 6]
1	1122759	Adjustable Galvanized Bow - 8" Rise* - 84" to 92"
	1122818	Adjustable Galvanized Bow - 8" Rise* - 93" to 101"
	1122627	Adjustable Galvanized Bow - 10" Rise* - 84" to 92"
	1122819	Adjustable Galvanized Bow - 10" Rise* - 93" to 101"
	1122817	Adjustable Galvanized Bow - 12" Rise* - 84" to 92"
	1122820	Adjustable Galvanized Bow - 12" Rise* - 93" to 101"
2	1122821	Galvanized Bow Long Shank - 8" Rise*
	1122626	Galvanized Bow Long Shank - 10" Rise*
	1122822	Galvanized Bow Long Shank - 12" Rise*
3	1120836	Single Bow Bracket
4	1700400	Self-Tapping Screw - Non Corrosive Coating - 3/8" x 1" -
5	1700434	Lock Washer - 3/8"
6	1700407	Hex Nut - 3/8"
7	1117946	Adjustable Bow Bracket Kit

\*Bow rise is typically 2" greater than rise of cap. Other rises available.

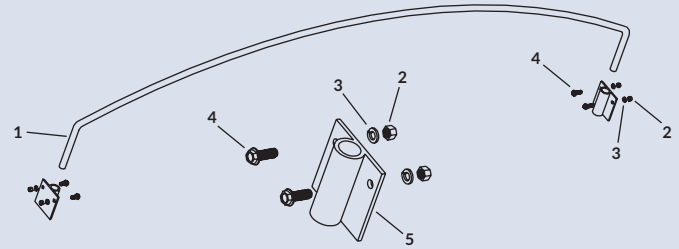
NOTE: All components other than standard may require a non-refundable engineering fee of \$75 and manufacturing fee of \$25. Call for details.

## BOWS – ALUMINUM

ITEM	PART #	DESCRIPTION
1		Solid Aluminum Bow* - 8" Rise**
		Solid Aluminum Bow* - 12" Rise**
2	1700407	Hex Nut - 3/8"
3	1700434	Lock Washer - 3/8"
4	1700400	Self-Tapping Screw - Non Corrosive Coating - 3/8" x 1"
5	1109110	Aluminum Bow Bracket

\*Brackets and mounting hardware NOT included - \$25 set-up fee applies.

\*\*Bow rise is typically 2" greater than rise of cap. Other rises available.

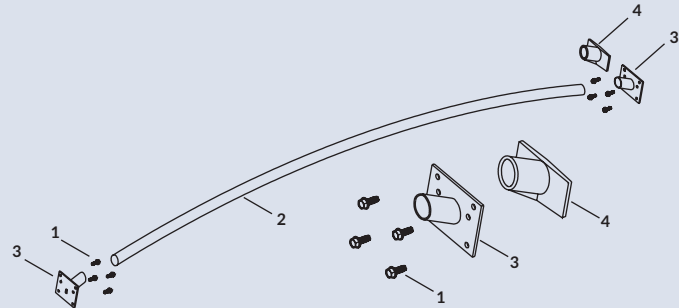


## BOWS – DURABOW™

ITEM	PART #	DESCRIPTION
1123544		Durabow™ Bow Kit - 97" - Steel Bracket [Includes 2; 2 of 3; 8 of 1]
1123541		Durabow™ Bow Kit - 102" - Steel Bracket [Includes 1; 2 of 3; 8 of 1]
1123545		Durabow™ Bow Kit - 97" - Aluminum Bracket [Includes 2; 2 of 4; 8 of 1]
1123542		Durabow™ Bow Kit - 102" - Aluminum Bracket [Includes 2; 2 of 4; 8 of 1]
1110653		Bow Mounting Hardware Kit - Steel [Includes 2 of 3; 8 of 1]
1124624		Bow Mounting Hardware Kit - Aluminum [Includes 2 of 4; 8 of 1]
1115971		Bow Mounting Fasteners - Durabow™ [Includes 8 of 1]
1	1700400	Self-Tapping Screw - Non Corrosive Coating - 3/8" x 1"
2	1705128	Durabow™ - 97"
	1705129	Durabow™ - 102"
	1702857	Replacement Flexbow®*
3	1122932	Durabow™ Bracket - Steel*
4	1705324	Durabow™ Bracket - Aluminum

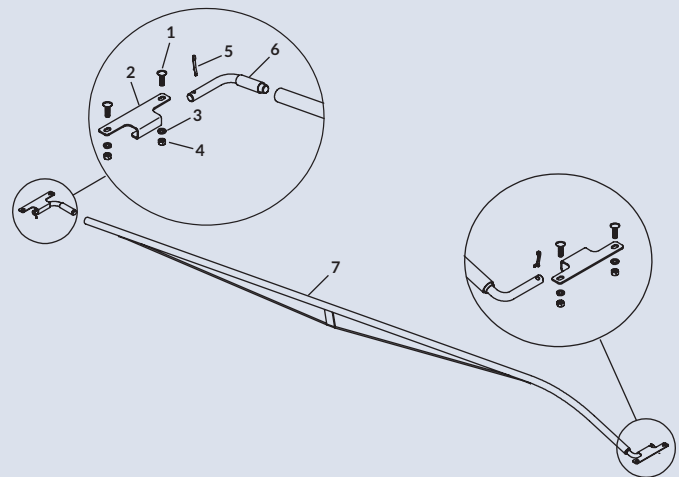
NOTE: Durabows are NOT recommended for low-rise applications.

\*Durabow™ steel brackets are a fit-all bracket for both Flexbow® and Durabow™. Original steel Flexbow® brackets are zinc plated; steel Durabow™ brackets are yellow plated. Dura-bows will NOT slide into original Flexbow® steel brackets. When ordering P/N 1702857 replacement Flexbow®, please order P/N 1123544 or P/N 1123541 Durabow™ bow kits, which include Durabow™ steel brackets.



## BOWS – FLAT X-WIDE | For Grain Carts

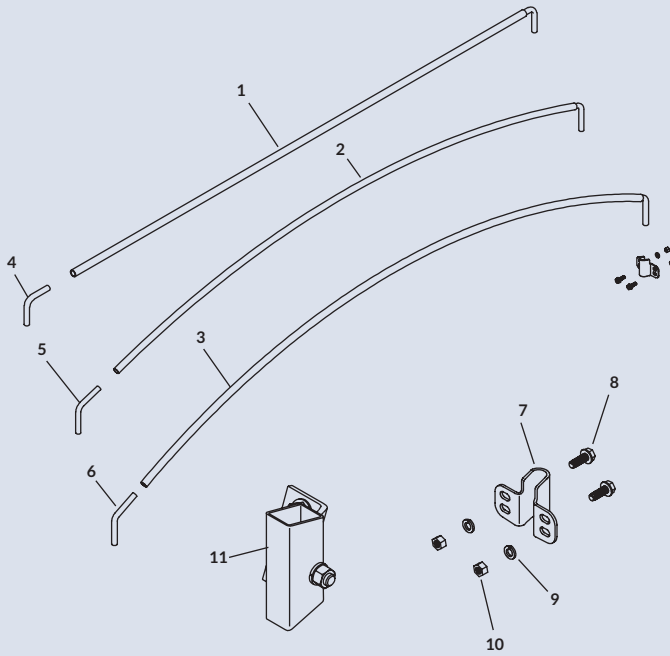
ITEM	PART #	DESCRIPTION
1120308		X-Wide Bow Kit* - Flat - 113" to 122" [Includes 6; 7; 2 of 2 & 5; 4 of 1, 3 & 4]
1120309		X-Wide Bow Kit* - Flat - 123" to 132" [Includes 6; 7; 2 of 2 & 5; 4 of 1, 3 & 4]
1120310		X-Wide Bow Kit* - Flat - 133" to 142" [Includes 6; 7; 2 of 2 & 5; 4 of 1, 3 & 4]
1120311		X-Wide Bow Kit* - Flat - 143" to 152" [Includes 6; 7; 2 of 2 & 5; 4 of 1, 3 & 4]
1120312		X-Wide Bow Kit* - Flat - 153" to 162" [Includes 6; 7; 2 of 2 & 5; 4 of 1, 3 & 4]
1125785		X-Wide Bow Kit* - Flat - 163" to 172" [Includes 6; 7; 2 of 2 & 5; 4 of 1, 3 & 4]
1120362		Bow Mounting Fasteners - X-Wide Flat [Includes 2 of 5; 4 of 1, 3 & 4]
1	1703964	Truss Head Machine Screw - 3/8" x 1-1/4"
2	1117665	Horizontal Bow Bracket
3	1700434	Lock Washer - 3/8"
4	1700407	Hex Nut - 3/8"
5	1701577	Humpback Cotter Pin - 3/16" x 1-1/4"
6	1117683	X-Wide Bow Shank - Flat
7	1120303	X-Wide Bow* - Flat - 113" to 122"
	1120304	X-Wide Bow* - Flat - 123" to 132"
	1120305	X-Wide Bow* - Flat - 133" to 142"
	1120306	X-Wide Bow* - Flat - 143" to 152"
	1120307	X-Wide Bow* - Flat - 153" to 162"
	1122970	X-Wide Bow* - Flat - 163" to 172"



\*Measurement on bows denotes inside cart width. Bows have 6" tapered rise to ensure tight tarp tension across flat cap.



## BOWS - GALVANIZED STEEL STANDARD



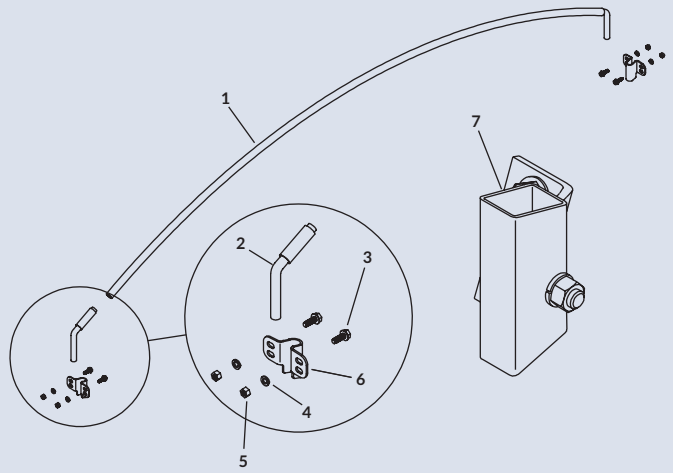
ITEM	PART #	DESCRIPTION
	1111781	Galvanized Bow Kit - Flat - 89" to 102" [Includes 1; 4; 2 of 7; 4 of 8, 9 & 10]
	1117915	Galvanized Bow Kit - 8" Rise* - 78" to 84" [Includes 2; 5; 2 of 7; 4 of 8, 9 & 10]
	1117916	Galvanized Bow Kit - 8" Rise* - 85" to 92" [Includes 2; 5; 2 of 7; 4 of 8, 9 & 10]
	1100766	Galvanized Bow Kit - 8" Rise* - 93" to 102" [Includes 2; 5; 2 of 7; 4 of 8, 9 & 10]
	1117917	Galvanized Bow Kit - 12" Rise* - 89" to 95" [Includes 3; 6; 2 of 7; 4 of 8, 9 & 10]
	1100768	Galvanized Bow Kit - 12" Rise* - 96" to 102" [Includes 3; 6; 2 of 7; 4 of 8, 9 & 10]
	1111782	Galvanized Bow Mounting Hardware - Flat [Includes 4; 2 of 7; 4 of 8, 9 & 10]
	1101608	Galvanized Bow Mounting Hardware - 8" Rise* [Includes 5; 2 of 7; 4 of 8, 9 & 10]
	1106968	Galvanized Bow Mounting Hardware - 12" Rise* [Includes 6; 2 of 7; 4 of 8, 9 & 10]
	1107711	Galvanized Bow Mounting Fasteners [Includes 4 of 8, 9 & 10]
1	1109149	Galvanized Bow - Flat - 89" to 102"
2	1117904	Galvanized Bow - 8" Rise* - 78" to 84"
	1116120	Galvanized Bow - 8" Rise* - 85" to 92"
	1100760	Galvanized Bow - 8" Rise* - 93" to 102"
3	1117905	Galvanized Bow - 12" Rise* - 89" to 95"
	1100762	Galvanized Bow - 12" Rise* - 96" to 102"
4	1109150	Galvanized Bow Shank - Flat
5	1100695	Galvanized Bow Shank - 8" Rise*
6	1106925	Galvanized Bow Shank - 12" Rise*
7	1120836	Single Bow Bracket
8	1700400	Self-Tapping Screw - Non Corrosive Coating - 3/8" x 1"
9	1700434	Lock Washer - 3/8"
10	1700407	Hex Nut - 3/8"
11	1117946	Adjustable Bow Bracket Kit

\*Bow rise is typically 2" greater than rise of cap. Other rises available.

NOTE: All components other than standard may require a non-refundable engineering fee of \$75 and manufacturing fee of \$25. Call for details.

## BOWS – GALVANIZED STEEL X-WIDE 1 PC.

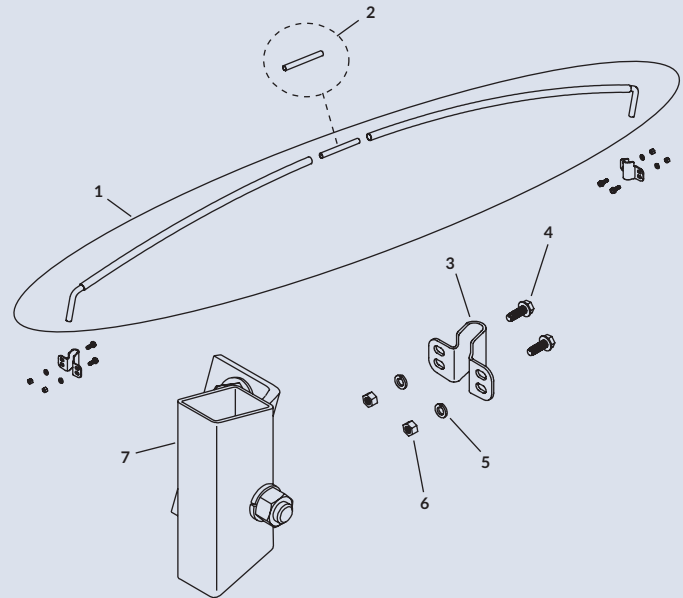
ITEM	PART #	DESCRIPTION
	1119465	X-Wide Bow Kit - 12" Rise* - 99" to 104" [Includes 1; 2; 2 of 6; 4 of 3, 4 & 5]
	1119466	X-Wide Bow Kit - 12" Rise* - 104-1/2" to 109-1/2" [Includes 1; 2; 2 of 6; 4 of 3, 4 & 5]
	1119464	X-Wide Bow Kit - 12" Rise* - 109" [Includes 1; 2; 2 of 6; 4 of 3, 4 & 5]
	1119467	X-Wide Bow Kit - 12" Rise* - 110" to 115" [Includes 1; 2; 2 of 6; 4 of 3, 4 & 5]
	1119468	X-Wide Bow Kit - 12" Rise* - 115-1/2" to 121" [Includes 1; 2; 2 of 6; 4 of 3, 4 & 5]
	1119469	X-Wide Bow Kit - 12" Rise* - 121-1/2" to 127" [Includes 1; 2; 2 of 6; 4 of 3, 4 & 5]
	1119470	X-Wide Bow Kit - 12" Rise* - 127-1/2" to 134" [Includes 1; 2; 2 of 6; 4 of 3, 4 & 5]
	1119471	X-Wide Bow Kit - 12" Rise* - 134-1/2" to 141" [Includes 1; 2; 2 of 6; 4 of 3, 4 & 5]
	1107711	Galvanized Bow Mounting Fasteners [Includes 4 of 3, 4 & 5]
1	1119227	Galvanized Bow - 12" Rise* - 99" to 104"
	1119220	Galvanized Bow - 12" Rise* - 104-1/2" to 109-1/2"
	1118724	Galvanized Bow - 12" Rise* - 109"
	1119219	Galvanized Bow - 12" Rise* - 110" to 115"
	1119218	Galvanized Bow - 12" Rise* - 115-1/2" to 121"
	1119217	Galvanized Bow - 12" Rise* - 121-1/2" to 127"
	1119216	Galvanized Bow - 12" Rise* - 127-1/2" to 134"
	1119215	Galvanized Bow - 12" Rise* - 134-1/2" to 141"
2	1119233	X-Wide Bow Shank - 12" Rise* - 99" to 109-1/2"
	1119232	X-Wide Bow Shank - 12" Rise* - 110" to 127"
	1119231	X-Wide Bow Shank - 12" Rise* - 127-1/2" to 141"
3	1700400	Self-Tapping Screw - Non Corrosive Coating - 3/8" x 1"
4	1700434	Lock Washer - 3/8"
5	1700407	Nut - 3/8"
6	1120836	Single Bow Bracket
7	1117946	Adjustable Bow Bracket



\*Bow rise is typically 2" greater than rise of cap. Other rises available.

## BOWS – GALVANIZED STEEL X-WIDE 2 PC.

ITEM	PART #	DESCRIPTION
	1106943	Galvanized X-Wide Bow Kit - 8" Rise* - 103" to 168" [Includes 1; 2 of 3; 4 of 4, 5 & 6]
	1106941	Galvanized X-Wide Bow Kit - 12" Rise* - 103" to 168" [Includes 1; 2 of 3; 4 of 4, 5 & 6]
	1106942	Galvanized Bow Mounting Hardware - X-Wide [Includes 2; 2 of 3; 4 of 4, 5 & 6]
	1107711	Galvanized Bow Mounting Fasteners [Includes 4 of 4, 5 & 6]
1	1116118	Galvanized X-Wide Bow** - 8" Rise* - 103" to 168"
	1116119	Galvanized X-Wide Bow** - 12" Rise* - 103" to 168"
2	1100685	Galvanized X-Wide Bow Connector Tube
3	1120836	Single Bow Bracket
4	1700400	Self-Tapping Screw - Non Corrosive Coating - 3/8" x 1"
5	1700434	Lock Washer - 3/8"
6	1700407	Hex Nut - 3/8"
7	1117946	Adjustable Bow Bracket Kit



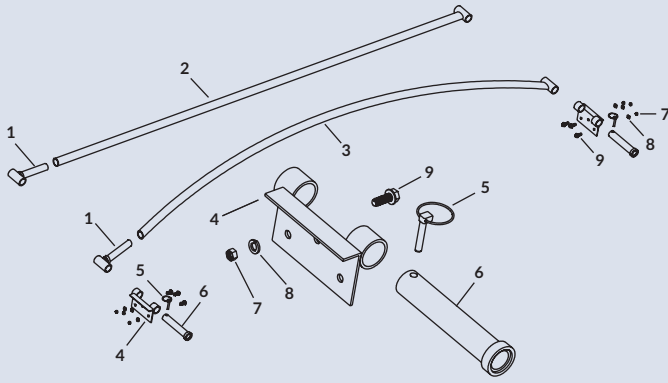
\*Bow rise is typically 2" greater than rise of cap. Other rises available.

\*\*Includes bow halves and connector tube.

NOTE: All components other than standard may require a non-refundable engineering fee of \$75 and manufacturing fee of \$25. Call for details.



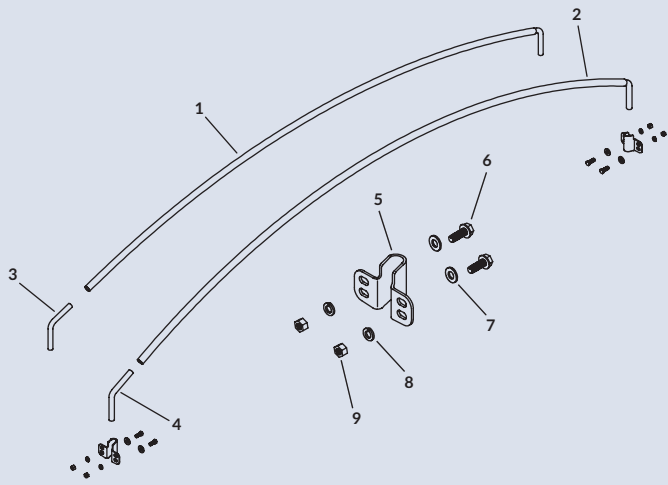
## BOWS – HEAVY DUTY



ITEM	PART #	DESCRIPTION
	1112667	Heavy-Duty Bow Kit - Flat [Includes 1; 2; 2 of 4, 5 & 6; 6 of 7, 8 & 9]
	1126917	Heavy-Duty Bow Kit - 3" Rise* [Includes 1; 3; 2 of 4, 5 & 6; 6 of 7, 8 & 9]
	1106615	Heavy-Duty Bow Kit - 8" Rise* [Includes 1; 3; 2 of 4, 5 & 6; 6 of 7, 8 & 9]
	1102697	Heavy-Duty Bow Kit - 12" Rise* [Includes 1; 3; 2 of 4, 5 & 6; 6 of 7, 8 & 9]
	1107245	Bow Mounting Hardware - Heavy Duty [Includes 1; 2 of 4, 5 & 6; 6 of 7, 8 & 9]
	1107244	Bow Mounting Fasteners - Heavy Duty [Includes 2 of 5; 6 of 7, 8 & 9]
<b>1</b>	1104706	Heavy-Duty Bow Shank
<b>2</b>	1112669	Heavy-Duty Bow - Flat
<b>3</b>	1123052	Heavy-Duty Bow - 3" Rise*
	1106612	Heavy-Duty Bow - 8" Rise*
	1101927	Heavy-Duty Bow - 12" Rise*
<b>4</b>	1106614	Heavy-Duty Bow Bracket
<b>5</b>	1701098	Lynch Pin - 5/16" x 1-3/4"
<b>6</b>	1104123	Heavy-Duty Bow Pin
<b>7</b>	1700407	Hex Nut - 3/8"
<b>8</b>	1700434	Lock Washer - 3/8"
<b>9</b>	1700400	Self-Tapping Screw - Non Corrosive Coating - 3/8" x 1"

\*Bow rise is typically 2" greater than rise of cap. Other rises available.

## BOWS - STAINLESS STEEL STANDARD



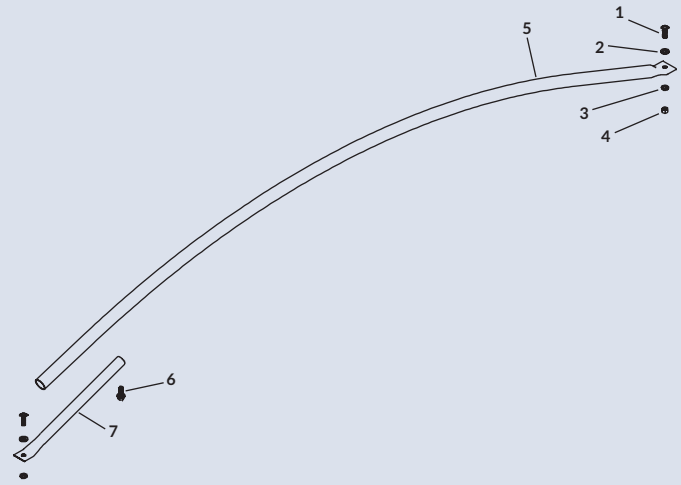
ITEM	PART #	DESCRIPTION
	1120351	Stainless Bow Kit - 8" Rise* - 78" to 84" [Includes 1; 3; 2 of 5; 4 of 6, 7, 8 & 9]
	1120352	Stainless Bow Kit - 8" Rise* - 85" to 92" [Includes 1; 3; 2 of 5; 4 of 6, 7, 8 & 9]
	1120353	Stainless Bow Kit - 8" Rise* - 93" to 102" [Includes 1; 3; 2 of 5; 4 of 6, 7, 8 & 9]
	1120354	Stainless Bow Kit - 12" Rise* - 82" to 88" [Includes 2; 4; 2 of 5; 4 of 10, 11 & 12]
	1120355	Stainless Bow Kit - 12" Rise* - 89" to 95" [Includes 2; 4; 2 of 5; 4 of 6, 7, 8 & 9]
	1120356	Stainless Bow Kit - 12" Rise* - 96" to 102" [Includes 2; 4; 2 of 5; 4 of 6, 7, 8 & 9]
	1116275	Stainless Bow Mounting Fasteners (4)
<b>1</b>	1120286	Stainless Bow - 8" Rise* - 78" to 84"
	1120287	Stainless Bow - 8" Rise* - 85" to 92"
	1119765	Stainless Bow - 8" Rise* - 93" to 102"
<b>2</b>	1120288	Stainless Bow - 12" Rise* - 82" to 88"
	1120289	Stainless Bow - 12" Rise* - 89" to 95"
	1120290	Stainless Bow - 12" Rise* - 96" to 102"
<b>3</b>	1119766	Stainless Bow Shank - 8" Rise*
<b>4</b>	1116754	Stainless Bow Shank - 12" Rise*
<b>5</b>	1120975	Stainless Single Bow Bracket
<b>6</b>	1703579	Stainless Hex Head Cap Screw - 3/8" x 1"
<b>7</b>	1703577	Stainless Flat Washer - 3/8"
<b>8</b>	1703576	Stainless Lock Washer - 3/8"
<b>9</b>	1200999	Stainless Hex Nut - 3/8"

\*Bow rise is typically 2" greater than rise of cap. Other rises available.

NOTE: All components other than standard may require a non-refundable engineering fee of \$75 and manufacturing fee of \$25. Call for details.

## BOWS - STAINLESS STEEL TOP MOUNT

ITEM	PART #	DESCRIPTION
	1119414	Stainless Bow Kit - 8" Rise* - 84" to 87-1/2" [Includes 5; 6; 7; 2 of 1, 2, 3 & 4]
	1119415	Stainless Bow Kit - 8" Rise* - 88" to 91-1/2" [Includes 5; 6; 7; 2 of 1, 2, 3 & 4]
	1119416	Stainless Bow Kit - 8" Rise* - 92" to 95-1/2" [Includes 5; 6; 7; 2 of 1, 2, 3 & 4]
	1119417	Stainless Bow Kit - 8" Rise* - 96" to 99-1/2" [Includes 5; 6; 7; 2 of 1, 2, 3 & 4]
	1119418	Stainless Bow Kit - 8" Rise* - 100" to 103-1/2" [Includes 5; 6; 7; 2 of 1, 2, 3 & 4]
	1119419	Stainless Bow Kit - 8" Rise* - 104" to 107-1/2" [Includes 5; 6; 7; 2 of 1, 2, 3 & 4]
	1119420	Stainless Bow Kit - 8" Rise* - 108" to 111-1/2" [Includes 5; 6; 7; 2 of 1, 2, 3 & 4]
	1119421	Stainless Bow Kit - 8" Rise* - 112" to 115-1/2" [Includes 5; 6; 7; 2 of 1, 2, 3 & 4]
	1119422	Stainless Bow Kit - 8" Rise* - 120" to 123-1/2" [Includes 5; 6; 7; 2 of 1, 2, 3 & 4]
	1119405	Stainless Bow Kit - 12" Rise* - 84" to 87-1/2" [Includes 5; 6; 7; 2 of 1, 2, 3 & 4]
	1119406	Stainless Bow Kit - 12" Rise* - 88" to 91-1/2" [Includes 5; 6; 7; 2 of 1, 2, 3 & 4]
	1119407	Stainless Bow Kit - 12" Rise* - 92" to 95-1/2" [Includes 5; 6; 7; 2 of 1, 2, 3 & 4]
	1119408	Stainless Bow Kit - 12" Rise* - 96" to 99-1/2" [Includes 5; 6; 7; 2 of 1, 2, 3 & 4]
	1119409	Stainless Bow Kit - 12" Rise* - 100" to 103-1/2" [Includes 5; 6; 7; 2 of 1, 2, 3 & 4]
	1119410	Stainless Bow Kit - 12" Rise* - 104" to 107-1/2" [Includes 5; 6; 7; 2 of 1, 2, 3 & 4]
	1119411	Stainless Bow Kit - 12" Rise* - 108" to 111-1/2" [Includes 5; 6; 7; 2 of 1, 2, 3 & 4]
	1119412	Stainless Bow Kit - 12" Rise* - 112" to 115-1/2" [Includes 5; 6; 7; 2 of 1, 2, 3 & 4]
	1119413	Stainless Bow Kit - 12" Rise* - 120" to 123-1/2" [Includes 5; 6; 7; 2 of 1, 2, 3 & 4]
	1118626	Stainless Bow Mounting Fasteners - Top Mount [Includes 6; 2 of 1, 2, 3 & 4]
1	1704442	Stainless Flange Screw - 3/8" x 1"
2	1703577	Stainless Flat Washer - 3/8"
3	1703576	Stainless Lock Washer - 3/8"
4	1200999	Stainless Hex Nut - 3/8"
5	1119184	Stainless Bow - 8" Rise* - 84" to 87-1/2"
	1119248	Stainless Bow - 8" Rise* - 88" to 91-1/2"
	1119250	Stainless Bow - 8" Rise* - 92" to 95-1/2"
	1119182	Stainless Bow - 8" Rise* - 96" to 99-1/2"
	1119246	Stainless Bow - 8" Rise* - 100" to 103-1/2"
	1119190	Stainless Bow - 8" Rise* - 104" to 107-1/2"
	1119192	Stainless Bow - 8" Rise* - 108" to 111-1/2"
	1119194	Stainless Bow - 8" Rise* - 112" to 115-1/2"
	1119196	Stainless Bow - 8" Rise* - 120" to 123-1/2"
	1119185	Stainless Bow - 12" Rise* - 84" to 87-1/2"
	1119249	Stainless Bow - 12" Rise* - 88" to 91-1/2"
	1119251	Stainless Bow - 12" Rise* - 92" to 95-1/2"
	1119183	Stainless Bow - 12" Rise* - 96" to 99-1/2"
	1119247	Stainless Bow - 12" Rise* - 100" to 103-1/2"
	1119191	Stainless Bow - 12" Rise* - 104" to 107-1/2"
	1119193	Stainless Bow - 12" Rise* - 108" to 111-1/2"
	1119195	Stainless Bow - 12" Rise* - 112" to 115-1/2"
	1119197	Stainless Bow - 12" Rise* - 120" to 123-1/2"
6	1700400	Self-Tapping Screw - Non Corrosive Coating - 3/8" x 1"
7	1118624	Stainless Bow Extension

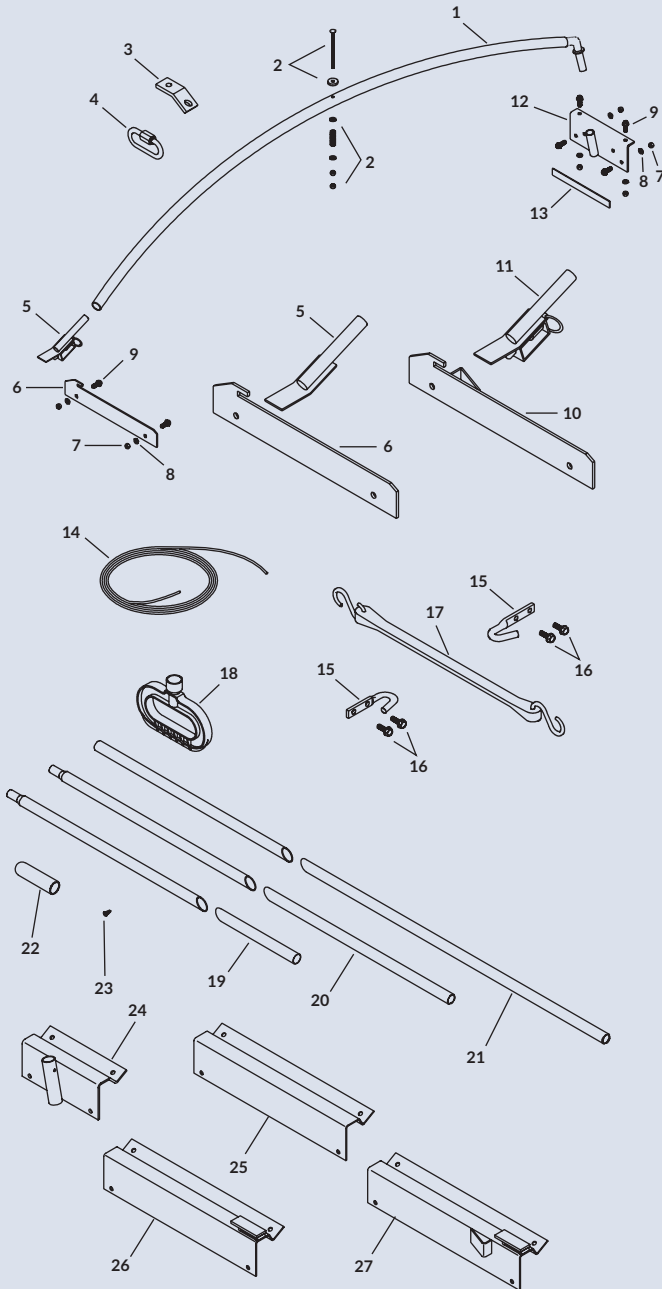


\*Bow rise is typically 2" greater than rise of cap. Other rises available.

NOTE: All components other than standard may require a non-refundable engineering fee of \$75 and manufacturing fee of \$25. Call for details.



## BOWS - TURNING POINT™ w/RIDGEPOLES



ITEM	PART #	DESCRIPTION
		TPB Kit w/16' Ridgepole - 8" or 12" Rise - 3 Bows [Includes 3; 4; 10; 11; 14; 17; 18; 19; 2 of 5, 6, 15, 22 & 23; 3 of 1, 2 & 12; 4 of 16; 9 of 13; 18 of 7, 8 & 9]
		TPB Kit w/20' Ridgepole - 8" or 12" Rise - 3 Bows [Includes 3; 4; 10; 11; 14; 17; 18; 20; 2 of 5, 6, 15, 22 & 23; 3 of 1, 2 & 12; 4 of 16; 9 of 13; 18 of 7, 8 & 9]
		TPB Kit w/24' Ridgepole - 8" or 12" Rise - 4 Bows [Includes 3; 4; 10; 11; 14; 17; 18; 21; 2 of 15, 22 & 23; 3 of 5 & 6; 4 of 1, 2, 12 & 16; 12 of 13; 24 of 7, 8 & 9]
		TPB Kit w/32' Ridgepole - 8" or 12" Rise - 4 Bows [Includes 3; 4; 10; 11; 14; 17; 18; 2 of 15, 19, 22 & 23; 3 of 5 & 6; 4 of 1, 2, 12 & 16; 12 of 13; 24 of 7, 8 & 9]
		TPB Kit w/32' Ridgepole - 8" or 12" Rise - 5 Bows [Includes 3; 4; 10; 11; 14; 17; 18; 2 of 15, 19, 22 & 23; 4 of 5, 6 & 16; 5 of 1, 2 & 12; 15 of 13; 30 of 7, 8 & 9]
		TPB Kit w/36' Ridgepole - 8" or 12" Rise - 5 Bows [Includes 3; 4; 10; 11; 14; 17; 18; 19; 20; 2 of 15, 22 & 23; 3 of 5, 6 & 16; 5 of 1, 2 & 12; 15 of 13; 30 of 7, 8 & 9]
		TPB Kit w/40' Ridgepole - 8" or 12" Rise - 6 Bows [Includes 3; 4; 10; 11; 14; 17; 18; 2 of 15, 20, 22 & 23; 4 of 16; 5 of 5 & 6; 6 of 1, 2 & 12; 18 of 13; 36 of 7, 8 & 9]
		TPB Kit w/44' Ridgepole - 8" or 12" Rise - 6 Bows [Includes 3; 4; 10; 11; 14; 17; 18; 20; 21; 2 of 15, 22 & 23; 4 of 16; 5 of 5 & 6; 6 of 1, 2 & 12; 18 of 13; 36 of 7, 8 & 9]
		TPB Kit w/48' Ridgepole - 8" or 12" Rise - 7 Bows [Includes 3; 4; 10; 11; 14; 17; 18; 2 of 15, 21, 22 & 23; 4 of 16; 6 of 5 & 6; 7 of 1, 2 & 12; 21 of 13; 42 of 7, 8 & 9]
		TPB Kit w/40' Ridgepole** - 12" Rise - 6 Bows -[Includes 3; 4; 11; 14; 17; 18; 26; 27; 2 of 15, 20 22 & 23; 4 of 16 & 25; 5 of 5; 6 of 1, 2 & 24; 48 of 7, 8 & 9]
	1105310	Rollaway Ridgepole Hdw. [Includes 2 of 22 & 23]
	1105339	Pull Rope Assembly [Includes 3; 4; 14; 17; 18; 2 of 15; 4 of 16]
	1107012	Bow Mounting Hardware [Includes 12; 3 of 13]
	1	1105337 Turning Point™ Bow - 8" Rise
		1105331 Turning Point™ Bow - 12" Rise
	2	1110368 Bow Attachment Spring Assembly
	3	1105325 Pull Rope Anchor
	4	1701219 Quick Link - 5/16"
	5	1105333 Bow Rest - 8" Rise
		1105327 Bow Rest - 12" Rise
	6	1105314 Bow Stop
	7	1700407 Hex Nut - 3/8"
	8	1700434 Lock Washer - 3/8"
	9	1700400 Self-Tapping Screw - Non Corrosive Coating - 3/8" x 1"
	10	1105320 Turning Point™ Bow Stop w/Catch
	11	1105338 Bow Rest/Latch - 8" Rise
		1105322 Bow Rest/Latch - 12" Rise
	12	1105317 Bow Pivot Bracket
	13	1107006 Pivot Bracket Spacer
	14	1100469 Rope - 32'
	15	1700682 Box Hook - 5/16" Holes
	16	1700403 Self-Tapping Screw - 1/4" x 3/4"
	17	1700649 Goldline™ Rubber Strap - 15"
	18	1106929 Pull Handle
	19	1701204 Ridgepole Tube - 16'
		1706159 Ridgepole Tube - 8'
	20	1701205 Ridgepole Tube - 20'
		1706158 Ridgepole Tube - 11'
	21	1701206 Ridgepole Tube - 24'
		1706157 Ridgepole Tube - 15'
	22	1700212 Protective Cap
	23	1704768 Flat-Headed Self-Drilling Screw - 1/4" x 3/4"
	24	1106805 Bow Pivot Bracket**
	25	1106806 Skid Plate**
	26	1106809 Skid Plate w/Stop**
	27	1106810 Skid Plate w/Catch**

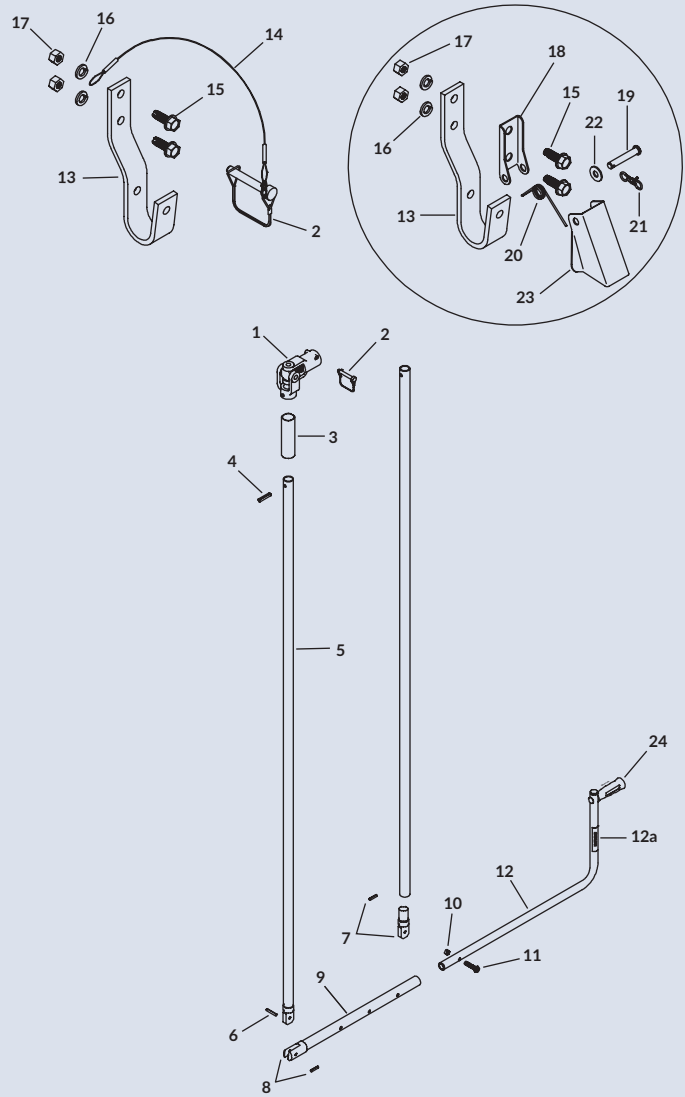
\*Order Turning Point™ bow kits by size of trailer, specifying 8" rise or 12" rise. Reverse roll option available; call for details.

\*\*Items used for 39' Alumatech trailer ONLY.

NOTE: All components other than standard may require a non-refundable engineering fee of \$75 and manufacturing fee of \$25. Call for details.

# CRANK ARMS – SHUR-FLEX™

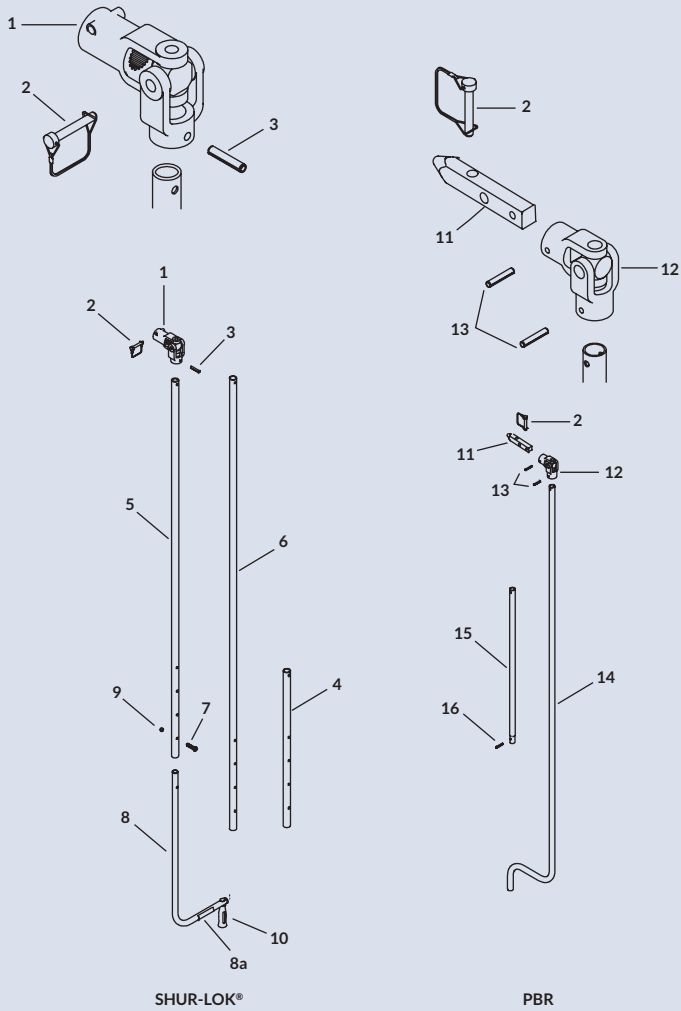
ITEM	PART #	DESCRIPTION
	1101931	Shur-Flex™ Crank Arm Kit - 40" Extension [Includes 1; 2; 3; 4; 5; 6; 9; 10; 11; 12]
	1107918	Shur-Flex™ Crank Arm Kit - 54" Extension [Includes 1; 2; 3; 4; 5; 6; 9; 10; 11; 12]
	1102782	Shur-Flex™ Crank Arm Kit - 80" Extension [Includes 1; 2; 3; 4; 5; 6; 9; 10; 11; 12]
	1105176	Shur-Flex™ Crank Arm Kit - 96" Extension [Includes 1; 2; 3; 4; 5; 6; 9; 10; 11; 12]
	1101933	Shur-Flex™ Conversion Kit - 40" w/Offset Retainers [Includes 3; 4; 5; 6; 9; 10; 11; 4 of 13 & 14; 5 of 2; 8 of 15, 16 & 17]
	1116243	Shur-Flex™ Conversion Kit - 54" w/Offset Retainers [Includes 3; 4; 5; 6; 9; 10; 11; 4 of 13 & 14; 5 of 2; 8 of 15, 16 & 17]
	1115376	Shur-Flex™ Conversion Kit - 40" w/Offset Pinless Retainers [Includes 2; 3; 4; 5; 6; 9; 10; 11; 4 of 13, 18, 19, 20, 21, 22 & 23; 8 of 15, 16 & 17]
	1116242	Shur-Flex™ Conversion Kit - 54" w/Offset Pinless Retainers [Includes 2; 3; 4; 5; 6; 9; 10; 11; 4 of 13, 18, 19, 20, 21, 22 & 23; 8 of 15, 16 & 17]
	1101932	Shur-Flex™ Crank Extension Hardware Kit - 40" [Includes 3; 5; 6; 9]
	1105048	Shur-Flex™ Crank Extension Hardware Kit - 54" [Includes 3; 5; 6; 9]
	1117752	Shur-Flex™ Crank Extension Hardware Kit - 80" [Includes 3; 5; 6; 9]
	1105047	Shur-Flex™ Crank Extension Hardware Kit - 96" [Includes 3; 5; 6; 9]
	1105305	Crank Hardware Kit [Includes 2; 4; 10; 11]
1	1701243	Splined U-Joint
2	1700526	Wire Lock Pin - 3/8" x 2-1/2"
3	1101924	Lock Tube - 5-1/2"
4	1700443	Spring Pin - 3/8" x 2"
5	1105001	Shur-Flex™ Upper Crank Extension - 40"
	1105050	Shur-Flex™ Upper Crank Extension - 54"
	1117753	Shur-Flex™ Upper Crank Extension - 80"
	1105049	Shur-Flex™ Upper Crank Extension - 96"
6	1701118	Spring Pin - 1/4" x 1-3/16"
7	1122522	Male Knuckle w/Pin
8	1122523	Female Knuckle w/Pin
9	1102691	Lower Extension - 20"
10	1700418	Centerlock Hex Nut - 3/8"
11	1700369	Hex Head Cap Screw - 3/8" x 1-3/4"
12	1100171	Standard Crank Arm - 24"
12a	1100362	Operating Decal
13	1101930	Offset J-Hook Crank Retainer
14	1100574	Cable w/#5 Interlock Snap
15	1700400	Self-Tapping Screw - Non Corrosive Coating - 3/8" x 1"
16	1700434	Lock Washer - 3/8"
17	1700407	Hex Nut - 3/8"
18	1114599	Offset Pinless Crank Retainer Base Plate
19	1703133	Clevis Pin - 5/16" x 1-3/4"
20	1703134	Tension Spring
21	1704380	Bowtie Cotter Pin - 1-3/8"
22	1700427	Flat Washer - 1/4"
23	1114600	Offset Pinless Crank Retainer Lock
24	1116110	Crank Handle Kit (Handle - Washer - Nut)



NOTE: All components other than standard may require a non-refundable engineering fee of \$75 and manufacturing fee of \$25. Call for details.



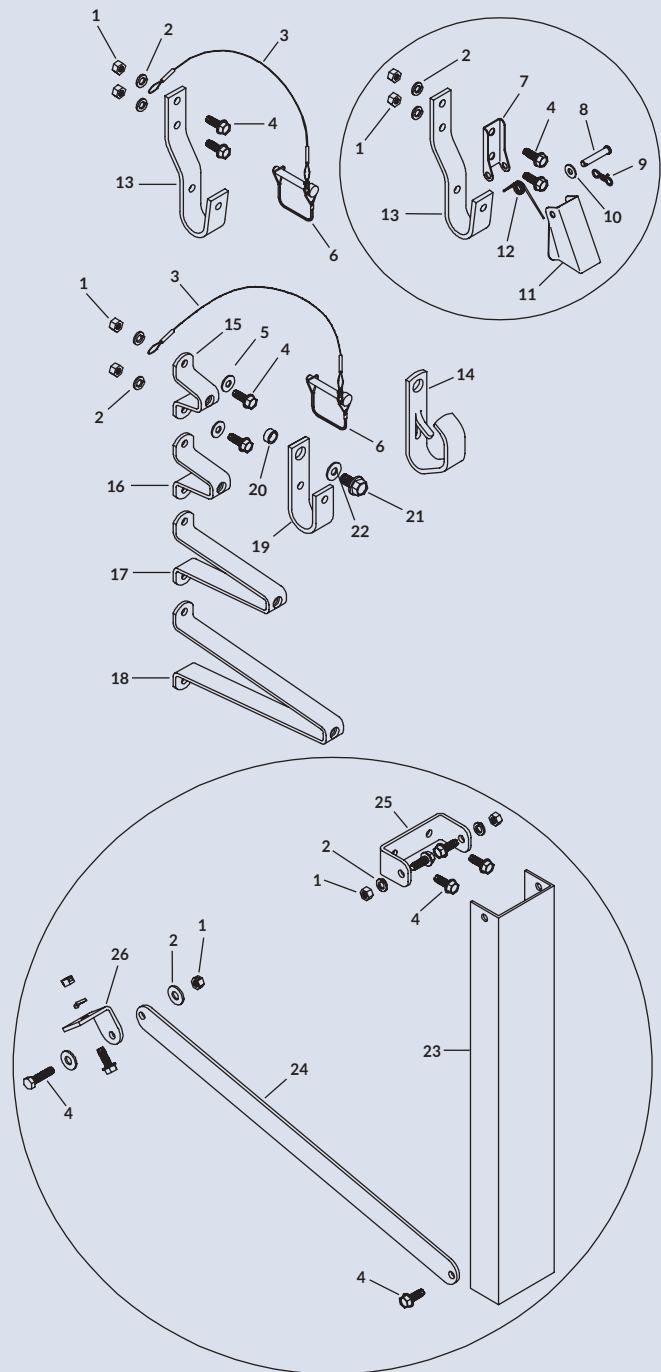
## CRANK ARMS - STANDARD



ITEM	PART #	DESCRIPTION
<b>For SHUR-LOK® ROLL TARPS</b>		
1100812		Standard Crank Arm Kit - 33" Extension [Includes 1; 2; 3; 4; 7; 8; 9]
1100816		Standard Crank Arm Kit - 80" Extension [Includes 1; 2; 3; 5; 7; 8; 9]
1122845		Standard Crank Arm Kit - 96" Extension [Includes 1; 2; 3; 6; 7; 8; 9]
1100813		Long Crank Arm Kit - 80" Extension [Includes 1; 2; 3; 5; 7; 8 (long); 9]
1105305		Crank Hardware [Includes 2; 3; 7; 9]
1	1701243	Splined U-Joint
2	1700526	Wire Lock Pin - 3/8" x 2-1/2"
3	1700443	Spring Pin - 3/8" x 2"
4	1100687	Crank Extension - 33"
5	1100028	Crank Extension - 80"
6	1106449	Crank Extension - 96"
7	1700369	Hex Head Cap Screw - 3/8" x 1-3/4"
8	1100171	Standard Crank Arm - 24"
	1100069	Long Crank Arm - 60"
8a	1100362	Operating Decal
9	1700418	Centerlock Hex Nut - 3/8"
10	1116110	Crank Handle Kit (Handle - Washer - Nut)
<b>For BELT 'N RATCHET ROLL TARPS</b>		
1100061		Standard Belt 'n Ratchet Crank Arm Kit* [Includes 11; 12; 14; 16; 2 of 13]
1101500		Long Belt 'n Ratchet Crank Arm Kit* [Includes 11; 12; 14; 15; 16; 2 of 13]
11	1115774	Pilot Crank Key
12	1700527	Econo U-Joint
13	1700445	Spring Pin - 1/4" x 1-1/2"
14	1100461	Offset Crank Arm
15	1107838	Square Crank Extension - 33"
16	1701118	Spring Pin - 1/4" x 1-3/16"

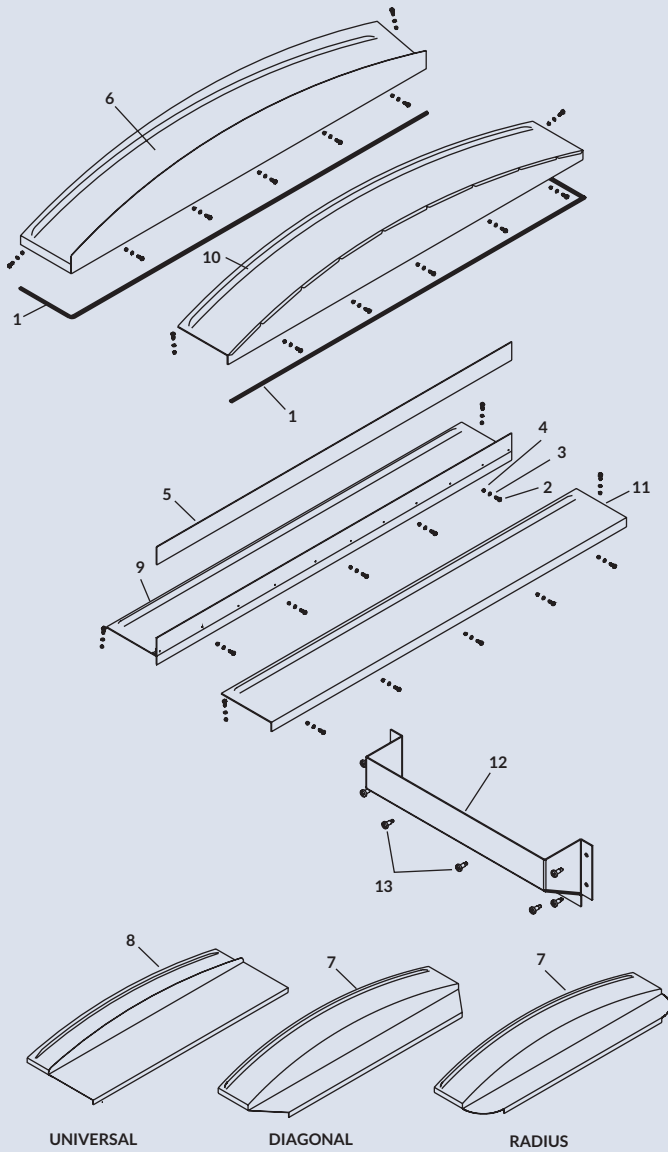
# CRANK RETAINERS

ITEM	PART #	DESCRIPTION
	1100388	Crank Retainer Kit w/2" Standoff [Includes 3; 6; 15; 19; 20; 21; 2 of 1, 2 & 4]
	1118649	Crank Retainer Kit w/3" Standoff [Includes 3; 6; 16; 19; 20; 21; 2 of 1, 2 & 4]
	1100386	Crank Retainer Kit w/7" Standoff [Includes 3; 6; 17; 19; 20; 21; 2 of 1, 2 & 4]
	1120633	Crank Retainer Kit w/11" Standoff [Includes 3; 6; 18; 19; 20; 21; 2 of 1, 2 & 4]
	1107048	Pinless Crank Retainer Kit w/2" Standoff [Includes 14; 15; 20; 21; 2 of 1, 2 & 4]
	1109115	Pinless Crank Retainer Kit w/3" Standoff [Includes 14; 16; 20; 21; 2 of 1, 2 & 4]
	1107047	Pinless Crank Retainer Kit w/7" Standoff [Includes 14; 17; 20; 21; 2 of 1, 2 & 4]
	1109479	Pinless Crank Retainer Kit w/11" Standoff [Includes 14; 18; 20; 21; 2 of 1, 2 & 4]
	1115515	Stainless Pinless Crank Retainer Kit w/7" Standoff [Includes 14; 17; 20; 21; 22; 2 of 1, 2, 4 & 5]
	1115516	Stainless Pinless Crank Retainer Kit w/11" Standoff [Includes 14; 18; 20; 21; 22; 2 of 1, 2, 4 & 5]
	1107052	Pinless Crank Retainer Kit [Includes 14; 20; 21]
	1101929	Offset Crank Retainer Kit [Includes 3; 6; 13; 2 of 1, 2 & 4]
	1114603	Offset Pinless Crank Retainer Kit [Includes 7; 8; 9; 10; 11; 12; 13; 2 of 1, 2 & 4]
	1114602	Offset Pinless Crank Retainer Conversion Kit [Includes 7; 8; 9; 10; 11; 12; 2 of 1, 2 & 4]
	1116553	Universal Crank Retainer Support Kit* - 24" [Includes 23; 24; 25; 26; 7 of 1, 2 & 4]
	1120190	Universal Crank Retainer Support Kit* - 33" [Includes 23; 2 of 24 & 25; 10 of 1, 2 & 4]
	1117438	Universal Crank Retainer Support Kit* - 42" [Includes 23; 2 of 24 & 25; 10 of 1, 2 & 4]
	1107061	Crank Retainer Hardware Kit [Includes 3; 6; 20; 21; 2 of 1, 2 & 4]
	1107063	Pinless Crank Retainer Hardware Kit [Includes 20; 21; 2 of 1, 2 & 4]
	1116167	Stainless Pinless Crank Retainer Hardware Kit [Includes 20; 21; 2 of 1, 2, 4 & 22]
	1107062	Offset Crank Retainer Hardware Kit [Includes 3; 6; 2 of 1, 2 & 4]
1	1700407	Hex Nut - 3/8"
	1200999	Stainless Hex Nut - 3/8"
2	1700434	Lock Washer - 3/8"
	1703576	Stainless Lock Washer - 3/8"
3	1100574	Cable w/#5 Interlock Snap
4	1700400	Self-Tapping Screw - Non Corrosive Coating - 3/8" x 1"
	1703579	Stainless Hex Head Cap Screw - 3/8" x 1"
5	1703577	Stainless Flat Washer - 3/8"
6	1700526	Wire Lock Pin - 3/8" x 2-1/2"
7	1114599	Offset Pinless Crank Retainer Base Plate
8	1703133	Clevis Pin - 5/16" x 1-3/4"
9	1704380	Bowtie Cotter Pin - 1-3/8"
10	1700427	Flat Washer - 1/4"
11	1114600	Offset Pinless Crank Retainer Lock
12	1703134	Tension Spring
13	1101930	Offset J-Hook Crank Retainer
14	1107049	Pinless Crank Retainer
	1115514	Stainless Pinless Crank Retainer
15	1100137	Crank Retainer Standoff - 2"
16	1107080	Crank Retainer Standoff - 3"
17	1100033	Crank Retainer Standoff - 7"
	1115511	Stainless Crank Retainer Standoff - 7"
18	1109478	Crank Retainer Standoff - 11"
	1115513	Stainless Crank Retainer Standoff - 11"
19	1100040	J-Hook Crank Retainer
20	1100306	Retainer Bushing - 11/16"
21	1702996	Flanged Cap Screw - 1/2" x 1-1/4"
	1703619	Stainless Hex Head Cap Screw - 1/2" x 1-1/4"
22	1703620	Stainless Flat Washer - 1/2"
23	1116555	Crank Support Bracket - 24"
	1120191	Crank Support Bracket - 33"
	1117437	Crank Support Bracket - 42"
24	1116557	Swivel Support Brace
25	1116554	Crank Support Base Plate
26	1116556	Base Plate Swivel



\*For use on some grain carts - universal crank retainer support kit does NOT include crank retainer assembly.

## END CAPS – ALUMINUM



UNIVERSAL

DIAGONAL

RADIUS

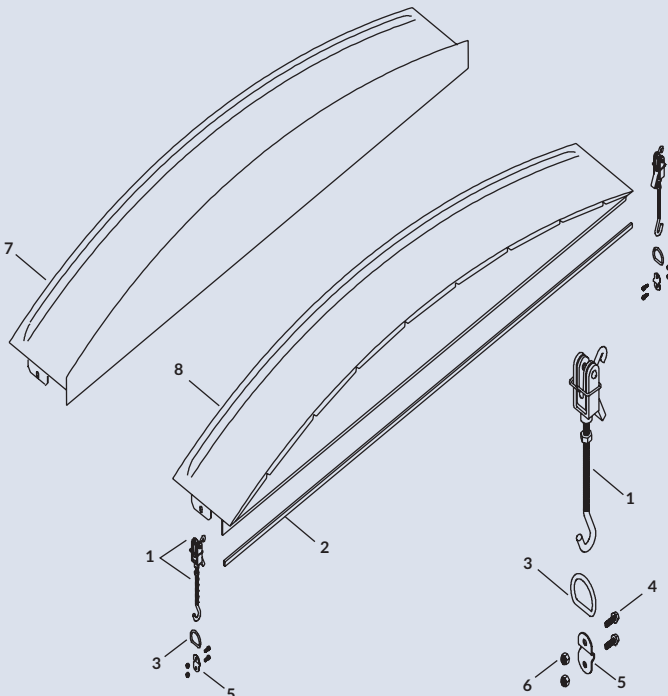
ITEM	PART #	DESCRIPTION
<b>MOUNTING HARDWARE</b>		
	1107785	Cap Mounting Hardware w/Trim Seal - 110" [Includes 1; 7 of 2, 3 & 4]
	1107786	Cap Mounting Hardware w/Trim Seal - 132" [Includes 1; 7 of 2, 3 & 4]
	1125572	Cap Mounting Hardware w/Adhesive Seal - 138" [Includes 1; 7 of 2, 3 & 4]
	1107787	Galvanized Cap Mounting Fasteners [Includes 7 of 2, 3 & 4]
1	1100165	Trim Seal - 110"
	1100357	Trim Seal - 132"
	1117512	Adhesive Rubber Seal - 138"
	1700152	Trim Seal (per foot)
	1704678	Adhesive Rubber Seal (per foot)
2	1700400	Self-Tapping Screw - Non Corrosive Coating - 3/8" x 1"
3	1700434	Lock Washer - 3/8"
4	1700407	Hex Nut - 3/8"
5	1701238	Rubber Windshield (per foot)
<b>ALUMINUM FRONT CAPS</b>		
6	1107396	Square Front - 6" Rise* x 11-1/4" Deep x 94"
	1107395	Square Front - 6" Rise* x 11-1/4" Deep x 95"
	1107406	Square Front - 6" Rise* x 11-1/4" Deep x 96"
	1107480	Square Front - 6" Rise* x 11-1/4" Deep x 102"
	1107493	Square Front - 10" Rise* x 11-1/4" Deep x 96"
	1107514	Square Front - 10" Rise* x 11-1/4" Deep x 102"
7		Radius Front** - 6" to 10" Rise* - Up to 102"
		Diagonal Front** - 6" to 10" Rise* - Up to 102"
8		Universal Front** - 6" to 10" Rise* - Up to 102"
9	1107422	Square Front - Flat x 10" Deep x 96"
	1107510	Square Front - Flat x 10" Deep x 101-1/2"
<b>ALUMINUM BACK CAPS</b>		
10	1107417	Square Back - 6" Rise* x 11-1/4" Deep x 94"
	1107420	Square Back - 6" Rise* x 11-1/4" Deep x 95"
	1107426	Square Back - 6" Rise* x 11-1/4" Deep x 96"
	1107483	Square Back - 6" Rise* x 11-1/4" Deep x 102"
	1107501	Square Back - 10" Rise* x 11-1/4" Deep x 96"
	1107517	Square Back - 10" Rise* x 11-1/4" Deep x 102"
11	1107421	Square Back - Flat x 10" Deep x 96"
	1107512	Square Back - Flat x 10" Deep x 102"
	1128815	Vent Cover Kit [Includes 12; 7 of 13]
12	1117655	Vent Cover
13	1700398	Self-Drilling Screw - 1/4" x 3/4"

\*Cap rise is typically 2" less than rise of bow. Other rises available.

\*\*Mounting hardware NOT included.

NOTE: All components other than standard may require a non-refundable engineering fee of \$75 and manufacturing fee of \$25. Call for details.

## END CAPS – ALUMINUM EASY-OFF



UNIVERSAL

DIAGONAL

RADIUS

ITEM	PART #	DESCRIPTION
<b>MOUNTING HARDWARE</b>		
	1101934	Easy-Off Cap Mounting Hardware w/Rubber Seal [Includes 2; 2 of 1, 3 & 5; 4 of 4 & 6]
1	1701113	Over-Center Clamp/Safety Clip
2	1101865	Rubber Seal - 100"
	1701115	Rubber Seal (per foot)
3	1701218	D-Ring - 1-1/2"
4	1701059	Self-Tapping Screw - 5/16" x 1"
5	1701114	D-Ring Plate
6	1700419	Nylon Lock Hex Nut - 5/16"
<b>ALUMINUM EASY-OFF FRONT CAPS</b>		
7	1111556	Easy-Off Front - 6" Rise* x 11-1/4" Deep x 91"
	1107534	Easy-Off Front - 6" Rise* x 11-1/4" Deep x 93-1/2"
	1121915	Easy-Off Front - 6" Rise* x 11-1/4" Deep x 95"
	1107537	Easy-Off Front - 6" Rise* x 11-1/4" Deep x 99-1/2"
	1107540	Easy-Off Front - 10" Rise* x 11-1/4" Deep x 93-1/2"
	1107543	Easy-Off Front - 10" Rise* x 11-1/4" Deep x 99-1/2"
<b>ALUMINUM EASY-OFF BACK CAPS</b>		
8	1111555	Easy-Off Back - 6" Rise* x 11-1/4" Deep x 91"
	1107554	Easy-Off Back - 6" Rise* x 11-1/4" Deep x 93-1/2"
	1110331	Easy-Off Back - 6" Rise* x 11-1/4" Deep x 95"
	1107557	Easy-Off Back - 6" Rise* x 11-1/4" Deep x 99-1/2"
	1110334	Easy-Off Back - 6" Rise* x 11-1/4" Deep x 101"
	1107560	Easy-Off Back - 10" Rise* x 11-1/4" Deep x 93-1/2"
	1107563	Easy-Off Back - 10" Rise* x 11-1/4" Deep x 99-1/2"

\*Cap rise is typically 2" less than rise of bow. Other rises available.

NOTE: All components other than standard may require a non-refundable engineering fee of \$75 and manufacturing fee of \$25. Call for details.

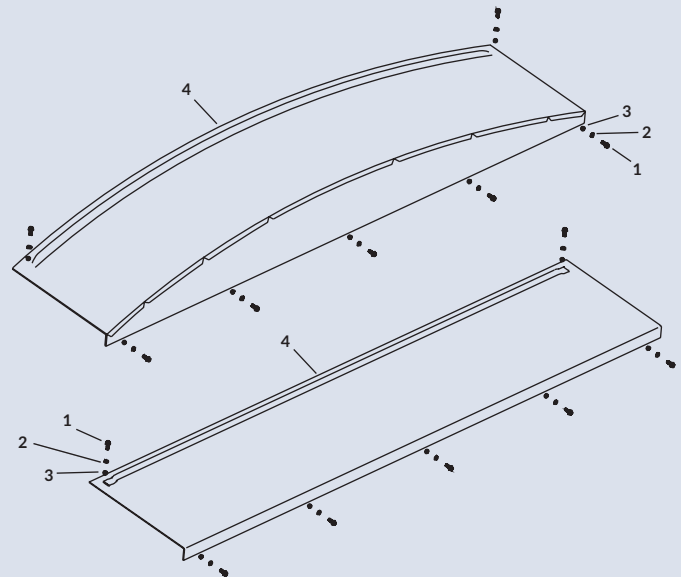


## END CAPS – ALUMINUM EXTENDABLE SPLINE

ITEM	PART #	DESCRIPTION
		<b>MOUNTING HARDWARE</b>
	1107787	Galvanized Cap Mounting Fasteners [Includes 7 of 1, 2 & 3]
1	1700400	Self-Tapping Screw - Non Corrosive Coating - 3/8" x 1"
2	1700434	Lock Washer - 3/8"
3	1700407	Hex Nut - 3/8"
		<b>ALUMINUM EXTENDABLE SPLINE CAPS</b>
4	1116177	Square Back Cap*** - 6" Rise** x 26" Deep x 96"
	1116181	Square Back Cap*** - 6" Rise** x 26" Deep x 102"
	1116179	Square Back Cap* - Flat x 26" Deep x 95-3/4"
	1116183	Square Back Cap* - Flat x 26" Deep x 101-3/4"

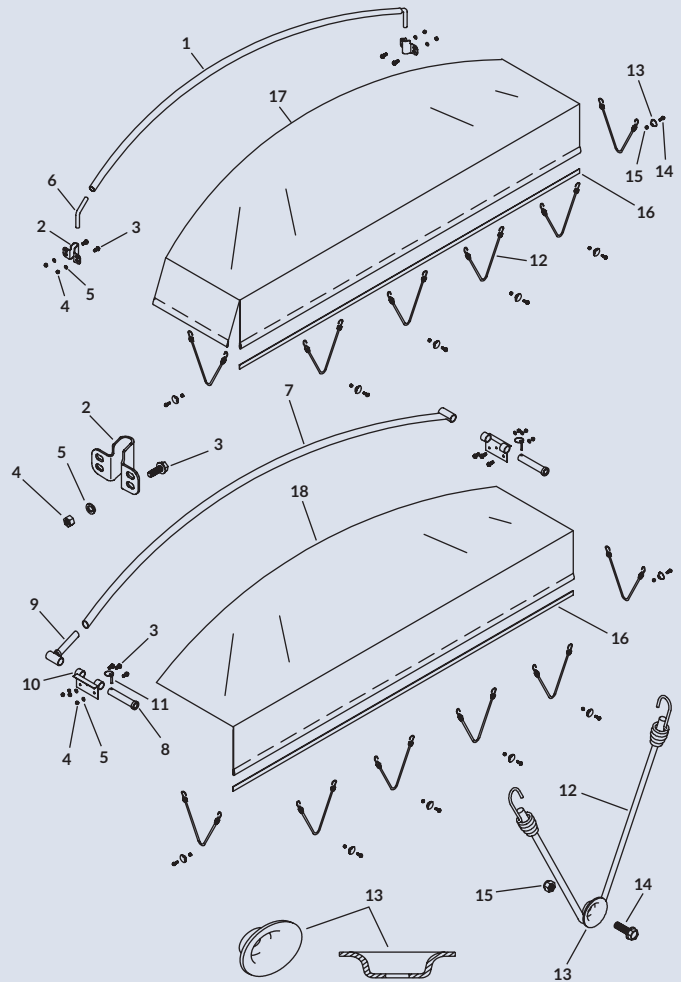
\*For use with extendable spline assembly (P/N 1126182); see page 69.

\*\*Cap rise is typically 2" less than rise of bow. Other rises available.



## END CAPS – FABRIC BACK

ITEM	PART #	DESCRIPTION
		<b>HARDWARE for STANDARD/FLEX/TP™ BOWS</b> (Does NOT Include Fabric Insert)
1100640		Single Back Standard Fabric Cap - 8" Rise - Bow Kit Hardware [Includes 1; 6; 2 of 2; 4 of 3, 4 & 5; 6 of 12, 13, 14 & 15]
1100639		Single Back Standard Fabric Cap Bow Kit - 12" Rise - Bow Kit Hardware [Includes 1; 6; 2 of 2; 4 of 3, 4 & 5; 6 of 12, 13, 14 & 15]
		<b>HARDWARE for HEAVY-DUTY BOWS</b>
1102903		Single Back Heavy-Duty Fabric Cap/Flap - 8" Rise - Bow Kit Hardware [Includes 7; 9; 2 of 8, 10, 11 & 16; 6 of 3, 4, 5, 12, 13, 14 & 15]
1102829		Single Back Heavy-Duty Fabric Cap/Flap - 12" Rise - Bow Kit Hardware [Includes 7; 9; 2 of 8, 10, 11 & 16; 6 of 3, 4, 5, 12, 13, 14 & 15]
1105303		Fabric Cap Hardware [Includes 4 of 3, 4 & 5; 6 of 13, 14 & 15]
1	1100760	Galvanized Bow - 8" Rise* - 93" to 102"
	1100762	Galvanized Bow - 12" Rise* - 96" to 102"
2	1120836	Single Bow Bracket
3	1700400	Self-Tapping Screw - Non Corrosive Coating - 3/8" x 1"
4	1700407	Hex Nut - 3/8"
5	1700434	Lock Washer - 3/8"
6	1100695	Galvanized Bow Shank - 8" Rise*
	1106925	Galvanized Bow Shank - 12" Rise*
7	1106612	Heavy-Duty Bow - 8" Rise*
	1101927	Heavy-Duty Bow - 12" Rise*
8	1104123	Heavy-Duty Bow Pin
9	1104706	Heavy-Duty Bow Shank
10	1106614	Heavy-Duty Bow Bracket
11	1701098	Lynch Pin - 5/16" x 1-3/4"
12	1700990	Bungee Cord - 18"
13	1701355	Rope Anchor
14	1701059	Self-Tapping Screw - 5/16" x 1"
15	1700419	Nylon Lock Hex Nut - 5/16"
16	1700581	Aluminum Flat Bar - 103"
		<b>FABRIC INSERT ONLY</b>
17		Square Back - 96"
		Square Back - 102"
		<b>FABRIC FLAP INSERT ONLY</b>
18		Dump Flap - 96"
		Dump Flap - 102"

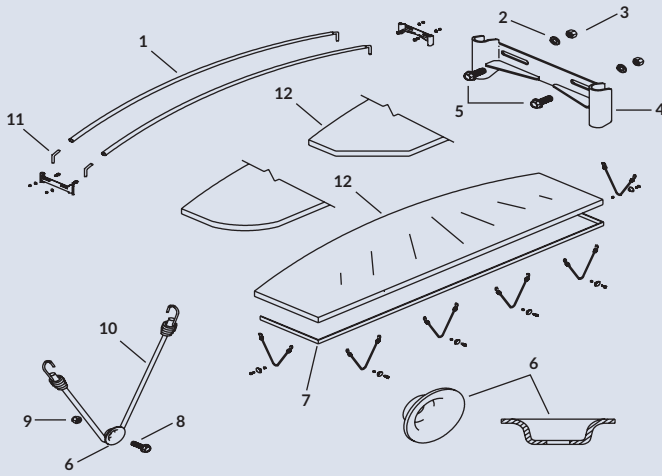


\*Cap rise is typically 2" less than rise of bow. Other rises available.

NOTE: Grain carts use a single back fabric cap on front and back.

NOTE: All components other than standard may require a non-refundable engineering fee of \$75 and manufacturing fee of \$25. Call for details.

## END CAPS – FABRIC FRONT



ITEM	PART #	DESCRIPTION
<b>FABRIC FRONT HARDWARE</b> (Does NOT Include Fabric Insert)		
1100642		Double Front Fabric Cap - 8" Rise - Bow Kit Hardware [Includes 2 of 1, 4, 7 & 11; 4 of 2, 3 & 5; 6 of 6, 8, 9 & 10]
1100641		Double Front Fabric Cap - 12" Rise - Bow Kit Hardware [Includes 2 of 1, 4, 7 & 11; 4 of 2, 3 & 5; 6 of 6, 8, 9 & 10]
1105303		Fabric Cap Hardware [Includes 4 of 2, 3 & 5; 6 of 13, 14 & 15]
1	1100760	Galvanized Bow - 8" Rise* - 93" to 102"
	1100762	Galvanized Bow - 12" Rise* - 96" to 102"
2	1700434	Lock Washer - 3/8"
3	1700407	Hex Nut - 3/8"
4	1108211	Double Bow Bracket
5	1700400	Self-Tapping Screw - Non Corrosive Coating - 3/8" x 1"
6	1701355	Rope Anchor
7	1700581	Aluminum Flat Bar - 103"
8	1701059	Self-Tapping Screw - 5/16" x 1"
9	1700419	Nylon Lock Hex Nut - 5/16"
10	1700990	Bungee Cord - 18"
11	1100695	Galvanized Bow Shank - 8" Rise*
	1106925	Galvanized Bow Shank - 12" Rise*
<b>FABRIC INSERT ONLY</b>		
12		Square Front - 96"
		Square Front - 102"
		Radius/Diagonal Front - 96"
		Radius/Diagonal Front - 102"

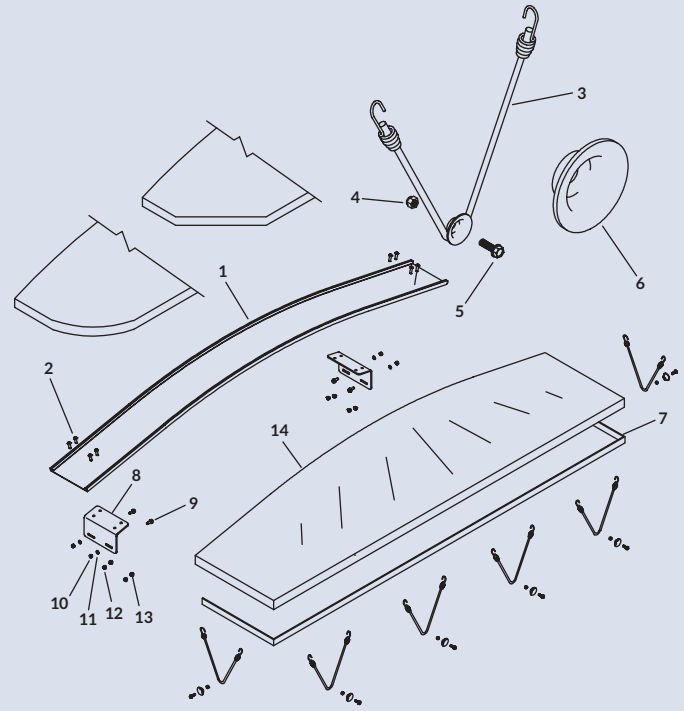
\*Cap rise is typically 2" less than rise of bow. Other rises available.

NOTE: Grain carts use single back standard fabric cap on front and back.

NOTE: All components other than standard may require a non-refundable engineering fee of \$75 and manufacturing fee of \$25. Call for details.

## END CAPS – FABRIC FRONT/BACK COMBO

ITEM	PART #	DESCRIPTION
		<b>HARDWARE for FRONT/BACK COMBO BOWS</b> (Does NOT Include Fabric Insert)
1122902		Combo Bow w/Mounting Brackets - 8" Rise* - 96" [Includes 1; 2 of 8]
1122905		Combo Bow w/Mounting Brackets - 8" Rise* - 102" [Includes 1; 2 of 8]
1122904		Combo Bow w/Mounting Brackets - 10" Rise* - 96" [Includes 1; 2 of 8]
1122907		Combo Bow w/Mounting Brackets - 10" Rise* - 102" [Includes 1; 2 of 8]
1122903		Combo Bow w/Mounting Brackets - 12" Rise* - 96" [Includes 1; 2 of 8]
1122906		Combo Bow w/Mounting Brackets - 12" Rise* - 102" [Includes 1; 2 of 8]
1122908		Combo Bow Kit w/Flatbar - 8" Rise - 96" [Includes 1; 2 of 7 & 8; 4 of 9, 10 & 11; 6 of 3, 4, 5 & 6; 8 of 2 & 12]
1122911		Combo Bow Kit w/Flatbar - 8" Rise - 102" [Includes 1; 2 of 7 & 8; 4 of 9, 10 & 11; 6 of 3, 4, 5 & 6; 8 of 2 & 12]
1122910		Combo Bow Kit w/Flatbar - 10" Rise - 96" [Includes 1; 2 of 7 & 8; 4 of 9, 10 & 11; 6 of 3, 4, 5 & 6; 8 of 2 & 12]
1122913		Combo Bow Kit w/Flatbar - 10" Rise - 102" [Includes 1; 2 of 7 & 8; 4 of 9, 10 & 11; 6 of 3, 4, 5 & 6; 8 of 2 & 12]
1122909		Combo Bow Kit w/Flatbar - 12" Rise - 96" [Includes 1; 2 of 7 & 8; 4 of 9, 10 & 11; 6 of 3, 4, 5 & 6; 8 of 2 & 12]
1122912		Combo Bow Kit w/Flatbar - 12" Rise - 102" [Includes 1; 2 of 7 & 8; 4 of 9, 10 & 11; 6 of 3, 4, 5 & 6; 8 of 2 & 12]
1122914		Combo Bow Kit w/Tarp Straps - 8" Rise* - 96" [Includes 1; 2 of 8; 4 of 9, 10 & 11; 8 of 2, 3 & 12]
1122917		Combo Bow Kit w/Tarp Straps - 8" Rise* - 102" [Includes 1; 2 of 8; 4 of 9, 10 & 11; 8 of 2, 3 & 12]
1122916		Combo Bow Kit w/Tarp Straps - 10" Rise* - 96" [Includes 1; 2 of 8; 4 of 9, 10 & 11; 8 of 2, 3 & 12]
1122919		Combo Bow Kit w/Tarp Straps - 10" Rise* - 102" [Includes 1; 2 of 8; 4 of 9, 10 & 11; 8 of 2, 3 & 12]
1122915		Combo Bow Kit w/Tarp Straps - 12" Rise* - 96" [Includes 1; 2 of 8; 4 of 9, 10 & 11; 8 of 2, 3 & 12]
1122918		Combo Bow Kit w/Tarp Straps - 12" Rise* - 102" [Includes 1; 2 of 8; 4 of 9, 10 & 11; 8 of 2, 3 & 12]
1105303		Fabric Cap Hardware [Includes 4 of 9, 10 & 11; 6 of 4, 5 & 6]
1122936		Combo Cap Hardware [Includes 8 of 2 & 12]
1	1122863	Combo Bow - 8" Rise* - 96"
	1122860	Combo Bow - 8" Rise* - 102"
	1122864	Combo Bow - 10" Rise* - 96"
	1122861	Combo Bow - 10" Rise* - 102"
	1122865	Combo Bow - 12" Rise* - 96"
	1122862	Combo Bow - 12" Rise* - 102"
2	1704706	Button Head Cap Screw - 3/8" x 1-1/4"
3	1700990	Bungee Cord - 18"
	1700650	Rubber Strap w/Hooks - 21"
4	1700419	Nylon Lock Hex Nut - 5/16"
5	1701059	Self-Tapping Screw - 5/16" x 1"
6	1701355	Rope Anchor
7	1700581	Aluminum Flat Bar - 103"
8	1122897	Combo Bow Bracket - 8" Rise*
	1122898	Combo Bow Bracket - 10" Rise*
	1122899	Combo Bow Bracket - 12" Rise*
9	1700400	Self-Tapping Screw - Non Corrosive Coating - 3/8" x 1"
10	1700407	Hex Nut - 3/8"
11	1700434	Lock Washer - 3/8"
12	1704371	Serrated Hex Flange Nut - 3/8"
13	1701283	Top Lock Flange Nut - 3/8"
		<b>FABRIC INSERT ONLY</b>
14		Combo Fabric Cap - 96"
		Combo Fabric Cap - 102"

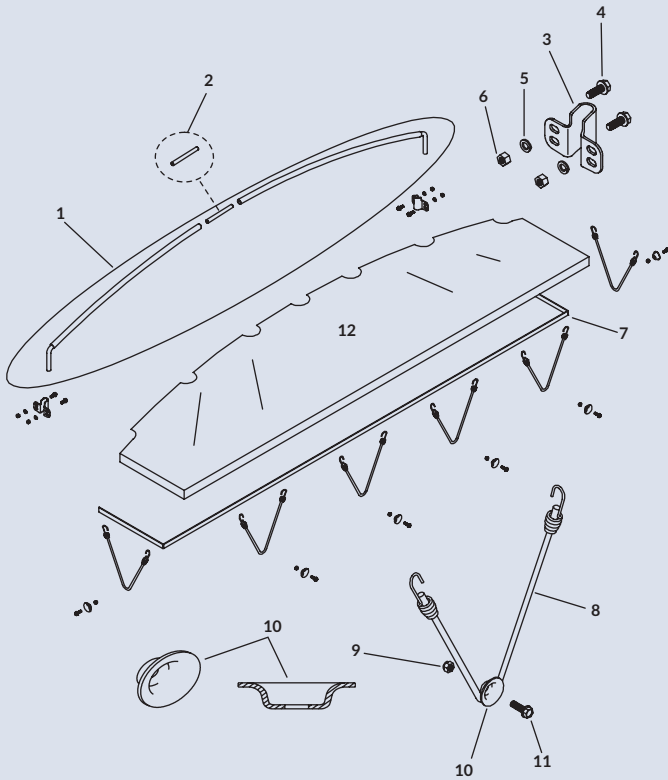


\*Cap rise is typically 2" less than rise of bow. Other rises available.

NOTE: All components other than standard may require a non-refundable engineering fee of \$75 and manufacturing fee of \$25. Call for details.



## END CAPS – FABRIC X-WIDE

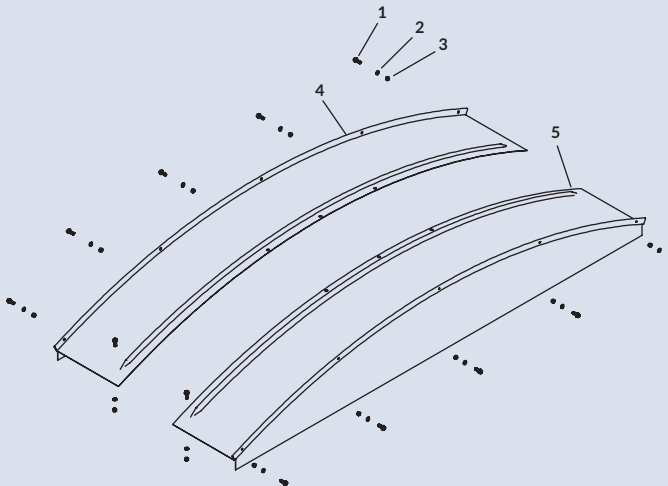


ITEM	PART #	DESCRIPTION
<b>X-WIDE FABRIC CAP HARDWARE</b> (Does NOT Include Fabric Insert)		
1106947		X-Wide Fabric Cap - 8" Rise* - Bow Kit Hardware [Includes 1; 2 of 3 & 8; 4 of 5, 6 & 7; 7 of 9, 10 & 11]
1106946		X-Wide Fabric Cap - 12" Rise* - Bow Kit Hardware [Includes 1; 2 of 3 & 8; 4 of 5, 6 & 7; 7 of 9, 10 & 11]
1	1116118	Galvanized X-Wide Bow** - 8" Rise* - 103" to 168"
	1116119	Galvanized X-Wide Bow** - 12" Rise* - 103" to 168"
2	1100685	X-Wide Bow Connector Tube
3	1120836	Single Bow Bracket
4	1700400	Self-Tapping Screw - Non Corrosive Coating - 3/8" x 1"
5	1700434	Lock Washer - 3/8"
6	1700407	Hex Nut - 3/8"
7	1700581	Aluminum Flat Bar - 103"
8	1700990	Bungee Cord - 18"
9	1700419	Nylon Lock Hex Nut - 5/16"
10	1701355	Rope Anchor
11	1701059	Self-Tapping Screw - 5/16" x 1"
<b>X-WIDE FABRIC INSERT ONLY</b>		
12		Square Fabric Cap Insert - 103" to 108"
		Square Fabric Cap Insert - 109" to 120"
		Square Fabric Cap Insert - 121" to 132"
		Square Fabric Cap Insert - 133" to 144"
		Square Fabric Cap Insert - 145" to 156"
		Square Fabric Cap Insert - 157" to 168"

\*Cap rise is typically 2" less than rise of bow. Other rises available.

\*Includes bow halves and connector tube.

## END CAPS – GALVANIZED STEEL FACE MOUNT



ITEM	PART #	DESCRIPTION
<b>MOUNTING HARDWARE</b>		
1107787		Galvanized Cap Mounting Fasteners [Includes 7 of 1, 2 & 3]
1	1700400	Self-Tapping Screw - Non Corrosive Coating - 3/8" x 1"
2	1700434	Lock Washer - 3/8"
3	1700407	Hex Nut - 3/8"
<b>GALVANIZED CAPS - FACE MOUNT</b>		
4	1122295	Face Mount Cap - 6" Rise* x 10" Deep x 89"
	1122283	Face Mount Cap - 6" Rise* x 10" Deep x 93"
	1122281	Face Mount Cap - 6" Rise* x 10" Deep x 95"
	1122289	Face Mount Cap - 6" Rise* x 10" Deep x 100"
5	1122297	Face Mount Cap - 10" Rise* x 10" Deep x 89"
	1122293	Face Mount Cap - 10" Rise* x 10" Deep x 93"
	1122285	Face Mount Cap - 10" Rise* x 10" Deep x 95"

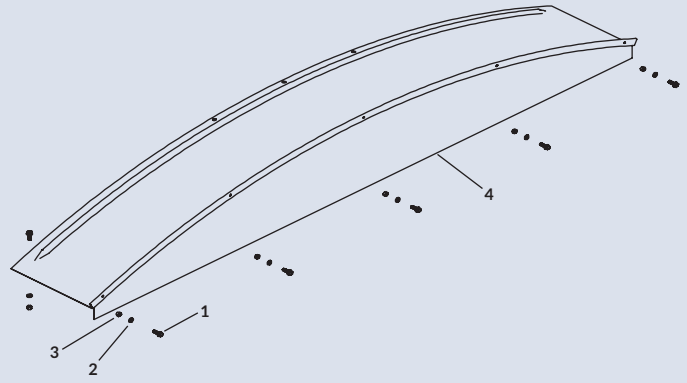
\*Cap rise is typically 2" less than rise of bow. Other rises available.

NOTE: All components other than standard may require a non-refundable engineering fee of \$75 and manufacturing fee of \$25. Call for details.

## END CAPS – GALVANIZED STEEL FACE MOUNT X-WIDE

ITEM	PART #	DESCRIPTION
<b>MOUNTING HARDWARE</b>		
	1107787	Galvanized Cap Mounting Fasteners [Includes 7 of 1, 2 & 3]
1	1700400	Self-Tapping Screw - Non Corrosive Coating - 3/8" x 1"
2	1700434	Lock Washer - 3/8"
3	1700407	Hex Nut - 3/8"
<b>X-WIDE GALVANIZED CAPS - FACE MOUNT</b>		
4	1122287	Face Mount Cap - 10" Rise* x 10" Deep x 107"
	1120686	Face Mount Cap - 10" Rise* x 10" Deep x 114"
	1122299	Face Mount Cap - 10" Rise* x 10" Deep x 119"
	1122301	Face Mount Cap - 10" Rise* x 10" Deep x 137"
	1116602	Face Mount Cap - 10" Rise* x 10" Deep x 142"
	1122291	Face Mount Cap - 10" Rise* x 10" Deep x 143"

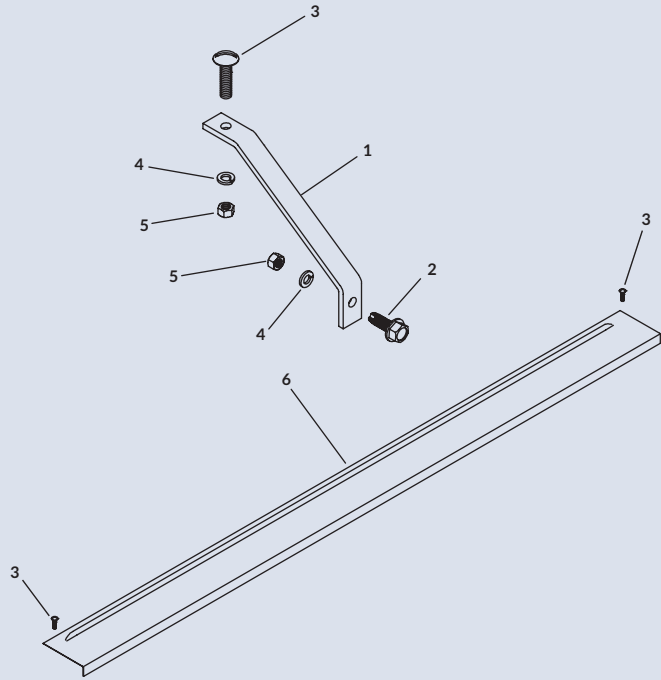
\*Cap rise is typically 2" less than rise of bow. Other rises available.



## END CAPS – GALVANIZED STEEL FLAT | For Grain Carts

ITEM	PART #	DESCRIPTION
<b>MOUNTING HARDWARE</b>		
	1107787	Galvanized Cap Mounting Fasteners [Includes 7 of 1, 2 & 3]
	1116525	Cap Support Hardware [Includes 4 of 2 & 3; 8 of 4 & 5]
1	1122773	Cap Support Brace*
2	1700400	Self-Tapping Screw - Non Corrosive Coating - 3/8" x 1"
3	1703964	Truss Head Machine Screw - 3/8" x 1-1/4"
4	1700434	Lock Washer - 3/8"
5	1700407	Hex Nut - 3/8"
<b>GALVANIZED FLAT CAPS</b>		
6	1120621	Square Cap - Flat x 10" Deep x 119"
	1120620	Square Cap - Flat x 10" Deep x 125"
	1120619	Square Cap - Flat x 10" Deep x 131"
	1120618	Square Cap - Flat x 10" Deep x 137"
	1120574	Square Cap - Flat x 10" Deep x 142-1/2"
	1120575	Square Cap - Flat x 10" Deep x 157-1/2"

\*Cart MUST have vertical sides walls for cap brace to work correctly.

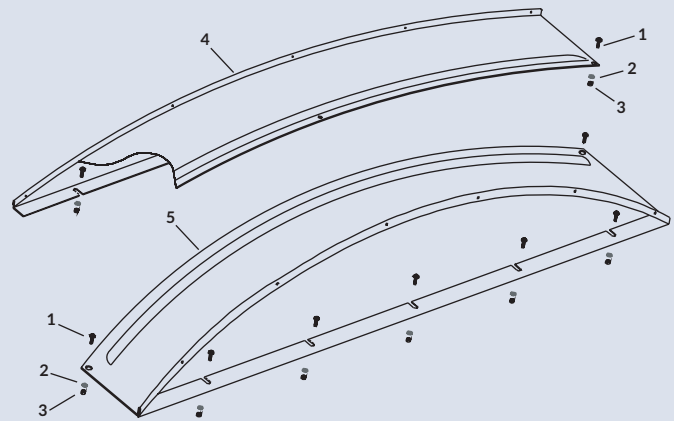


## END CAPS – GALVANIZED STEEL TOP MOUNT

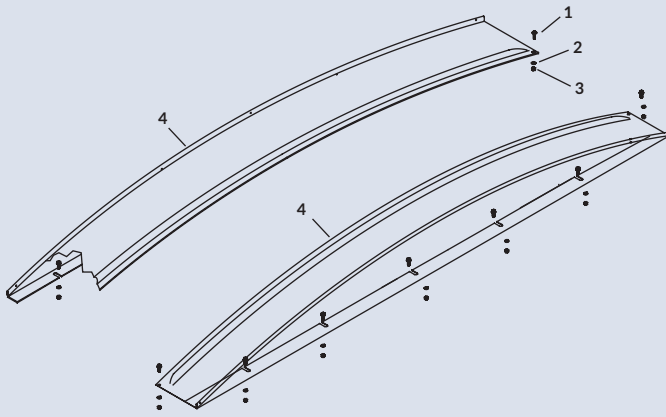
ITEM	PART #	DESCRIPTION
<b>MOUNTING HARDWARE</b>		
	1107787	Galvanized Cap Mounting Fasteners [Includes 7 of 1, 2 & 3]
1	1700400	Self-Tapping Screw - Non Corrosive Coating - 3/8" x 1"
2	1700434	Lock Washer - 3/8"
3	1700407	Hex Nut - 3/8"
<b>GALVANIZED CAPS - TOP MOUNT</b>		
4	1108977	Top Mount Cap - 6" Rise* x 10" Deep x 93"
	1108980	Top Mount Cap - 6" Rise* x 10" Deep x 95"
	1108983	Top Mount Cap - 6" Rise* x 10" Deep x 100"
5	1108986	Top Mount Cap - 10" Rise* x 10" Deep x 93"
	1108989	Top Mount Cap - 10" Rise* x 10" Deep x 95"
	1108992	Top Mount Cap - 10" Rise* x 10" Deep x 100"

\*Cap rise is typically 2" less than rise of bow. Other rises available.

NOTE: All components other than standard may require a non-refundable engineering fee of \$75 and manufacturing fee of \$25. Call for details.



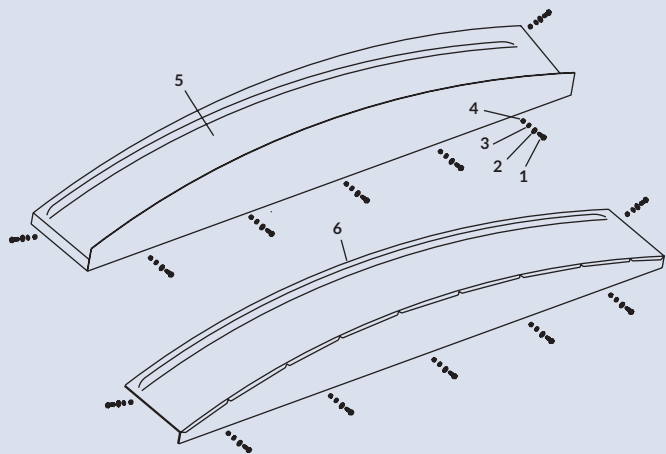
## END CAPS – GALVANIZED STEEL TOP MOUNT X-WIDE



ITEM	PART #	DESCRIPTION
<b>MOUNTING HARDWARE</b>		
	1107787	Galvanized Cap Mounting Fasteners [Includes 7 of 1, 2 & 3]
1	1700400	Self-Tapping Screw - Non Corrosive Coating - 3/8" x 1"
2	1700434	Lock Washer - 3/8"
3	1700407	Hex Nut - 3/8"
<b>X-WIDE GALVANIZED CAPS - TOP MOUNT</b>		
4	1110066	Top Mount Cap - 10" Rise* x 10" Deep x 107"
	1115936	Top Mount Cap - 10" Rise* x 10" Deep x 113"
	1110067	Top Mount Cap - 10" Rise* x 10" Deep x 119"
	1112042	Top Mount Cap - 10" Rise* x 10" Deep x 125"
	1110068	Top Mount Cap - 10" Rise* x 10" Deep x 131"
	1112045	Top Mount Cap - 10" Rise* x 10" Deep x 137"
	1112048	Top Mount Cap - 10" Rise* x 10" Deep x 142"
	1110069	Top Mount Cap - 10" Rise* x 10" Deep x 143"

\*Cap rise is typically 2" less than rise of bow. Other rises available.

## END CAPS – STAINLESS STEEL



ITEM	PART #	DESCRIPTION
<b>MOUNTING HARDWARE</b>		
	1116274	Stainless Cap Mounting Fasteners [Includes 7 of 1, 2, 3 & 4]
1	1703579	Stainless Steel Cap Screw - 3/8" x 1"
2	1703577	Stainless Steel Flat Washer - 3/8"
3	1703576	Stainless Steel Lock Washer - 3/8"
4	1200999	Stainless Steel Nut - 3/8"
<b>STAINLESS STEEL FRONT CAPS</b>		
5	1116402	Square Front - 6" Rise* x 11-1/4" Deep x 90"
	1116403	Square Front - 6" Rise* x 11-1/4" Deep x 92"
	1116404	Square Front - 6" Rise* x 11-1/4" Deep x 94"
	1114897	Square Front - 6" Rise* x 11-1/4" Deep x 96"
	1116307	Square Front - 6" Rise* x 11-1/4" Deep x 102"
	1116398	Square Front - 10" Rise* x 11-1/4" Deep x 90"
	1116399	Square Front - 10" Rise* x 11-1/4" Deep x 92"
	1116400	Square Front - 10" Rise* x 11-1/4" Deep x 94"
	1116330	Square Front - 10" Rise* x 11-1/4" Deep x 96"
	1116401	Square Front - 10" Rise* x 11-1/4" Deep x 102"
<b>STAINLESS STEEL BACK CAPS</b>		
6	1116395	Square Back - 6" Rise* x 11-1/4" Deep x 90"
	1116396	Square Back - 6" Rise* x 11-1/4" Deep x 92"
	1116397	Square Back - 6" Rise* x 11-1/4" Deep x 94"
	1114900	Square Back - 6" Rise* x 11-1/4" Deep x 96"
	1116306	Square Back - 6" Rise* x 11-1/4" Deep x 102"
	1116384	Square Back - 10" Rise* x 11-1/4" Deep x 90"
	1116385	Square Back - 10" Rise* x 11-1/4" Deep x 92"
	1116386	Square Back - 10" Rise* x 11-1/4" Deep x 94"
	1116329	Square Back - 10" Rise* x 11-1/4" Deep x 96"
	1116394	Square Back - 10" Rise* x 11-1/4" Deep x 102"

\*Cap rise is typically 2" less than rise of bow. Other rises available.

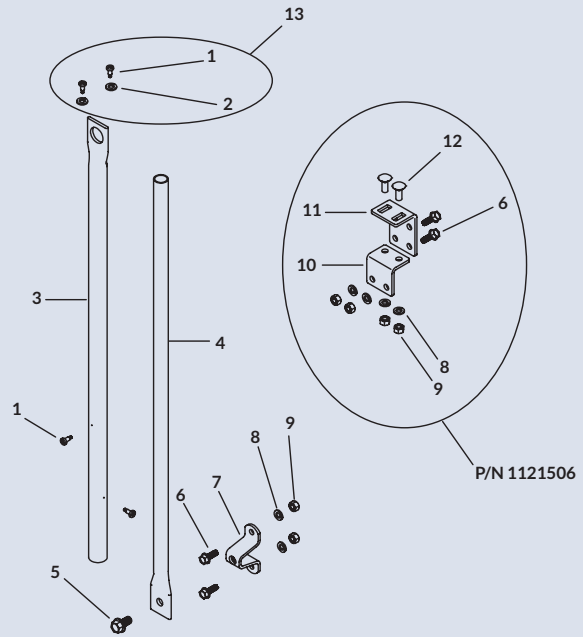


## HIGH-LIFT END GATES

ITEM	PART #	DESCRIPTION
	1121904	Stabilizer Arm Kit* [Includes 1; 2; 3; 6; 2 of 4, 7, 8 & 9; 4 of 5]
	1121506	Adjustable Offset Bracket Kit** [Includes 10; 11; 2 of 6 & 12; 4 of 8 & 9]
1	1700398	Self-Drilling Screw - 1/4" x 3/4"
2	1118037	Plastic Washer - Black
3	1121901	Upper Stabilizer Arm
4	1121902	Lower Stabilizer Arm
5	1702996	Flanged Cap Screw - 1/2" x 1-1/4"
6	1700400	Self-Tapping Screw - Non Corrosive Coating - 3/8" x 1"
7	1107080	Crank Retainer Standoff - 3"
8	1700434	Lock Washer - 3/8"
9	1700407	Hex Nut - 3/8"
10	1121508	Adjustable Offset Bracket - Fixed
11	1121507	Adjustable Offset Bracket - Slider
12	1702522	Carriage Bolt - 3/8" x 1" - GR2
13	1118536	Fixed Tube Stop Hardware [Includes 2 of 1 & 2]

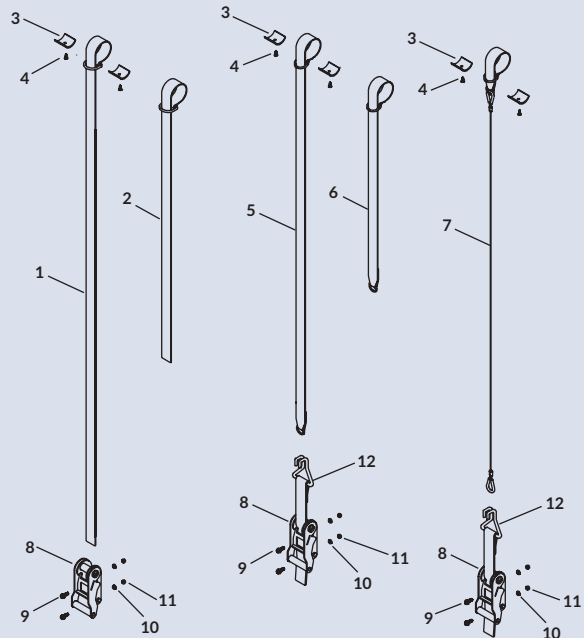
\*For use with high-lift end gates.

\*\*For use with latchplate and easy-off tarp stops. Bracket adjusts from 2" to 3" wide.



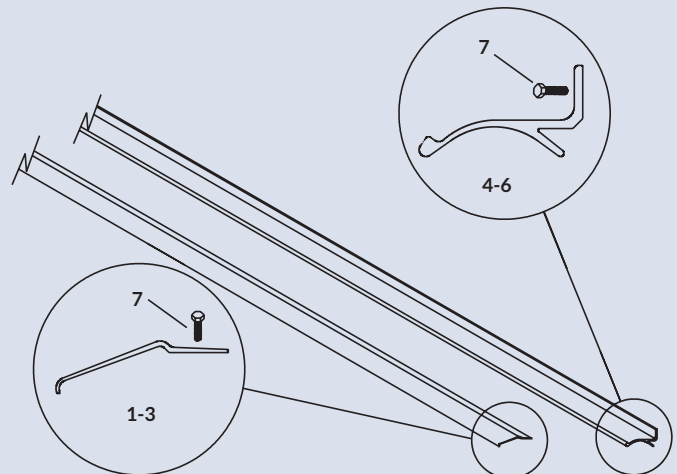
## HOLD-DOWNS

ITEM	PART #	DESCRIPTION
	1106770	Cable Hold-Down Kit - 7' [Includes 7; 8; 12; 2 of 9, 10 & 11]
	1106771	Strap Hold-Down Kit - 5' [Includes 2; 8; 2 of 9, 10 & 11]
	1106772	Strap Hold-Down Kit - 9' [Includes 1; 8; 2 of 9, 10 & 11]
	1107224	Strap Hold-Down Kit w/Hook - 5' [Includes 6; 8; 12; 2 of 9, 10 & 11]
	1107225	Strap Hold-Down Kit w/Hook - 7' [Includes 5; 8; 12; 2 of 9, 10 & 11]
1	1106774	Strap Assembly - 9'
	1110337	Strap Assembly - 10'
2	1100470	Strap Assembly - 5'
3	1701354	Plastic U-Clamp
4	1700398	Self-Drilling Screw - 1/4" x 3/4"
5	1107223	Wire Hook Strap Assembly - 7'
6	1107222	Wire Hook Strap Assembly - 5'
7	1106763	Cable Assembly - 7'
8	1100457	Ratchet - 2"
9	1700400	Self-Tapping Screw - Non Corrosive Coating - 3/8" x 1"
10	1700434	Lock Washer - 3/8"
11	1700407	Hex Nut - 3/8"
12	1106754	Web Assembly w/Hook

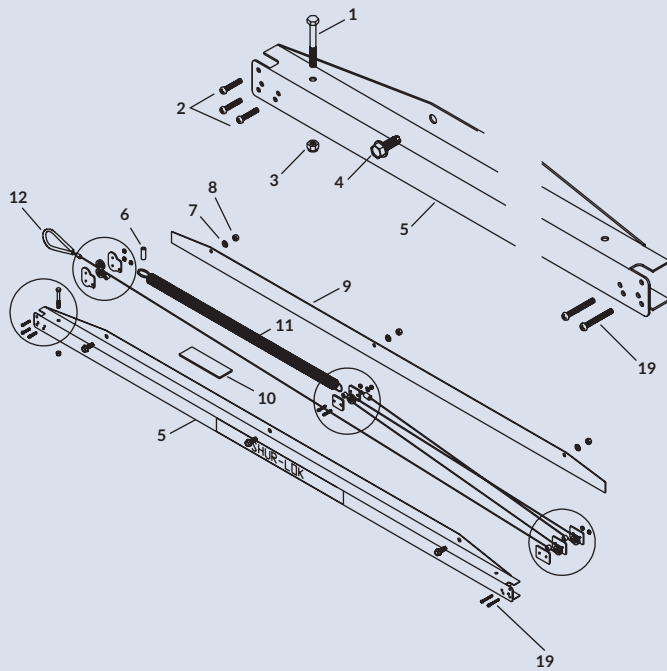


## LATCHPLATES

ITEM	PART #	DESCRIPTION
1	1100370	Aluminum Top Mount Latchplate - 4'
2	1100369	Aluminum Top Mount Latchplate - 6'
3	1100368	Aluminum Top Mount Latchplate - 8'
4	1100749	Aluminum Side Mount Latchplate - 4'
5	1700802	Aluminum Side Mount Latchplate - 6'
6	1700522	Aluminum Side Mount Latchplate - 8'
7	1700400	Self-Tapping Screw - Non Corrosive Coating - 3/8" x 1"



## RETURNS – FRONT/REAR CABLE



ITEM	PART #	DESCRIPTION
<b>FOR 2" ROLL TUBES</b>		
1111121		Rear Cable Return Kit* [Includes 1; 3; 5; 6; 10; 11; 12; 18; 20; 2 of 13, 17 & 19; 3 of 4, 7, 8 & 23; 4 of 2 & 15; 5 of 14; 7 of 16]
1111122		Front Cable Return Kit* [Includes 1; 3; 5; 6; 10; 11; 12; 18; 20; 22; 2 of 13, 17 & 19; 3 of 4, 7, 8 & 23; 4 of 2 & 15; 5 of 14; 7 of 16]
1112064		Rear Cable Return Kit w/Roll Tube Extension* [Includes 1; 3; 5; 6; 10; 12; 18; 20; 21; 22; 2 of 13, 17, 18 & 19; 3 of 4, 7, 8 & 23; 4 of 2 & 15; 5 of 14; 7 of 16]
1112065		Front Cable Return Kit w/Roll Tube Extension* [Includes 1; 3; 5; 6; 10; 12; 18; 20; 21; 22; 2 of 13, 17, 18 & 19; 3 of 4, 7, 8 & 23; 4 of 2 & 15; 5 of 14; 7 of 16]
1114913		X-Wide Rear Cable Return Kit* [Includes 1; 3; 5; 6; 9; 10; 11; 12; 18; 20; 2 of 13, 17 & 19; 3 of 4, 7, 8 & 23; 4 of 2 & 15; 5 of 14; 7 of 16]
1114914		X-Wide Front Cable Return Kit* [Includes 1; 3; 5; 6; 9; 10; 11; 12; 18; 20; 22; 2 of 13, 17 & 19; 3 of 4, 7, 8 & 23; 4 of 2 & 15; 5 of 14; 7 of 16]
1114915		X-Wide Front Cable Return Kit w/Roll Tube Ext.* [Includes 1; 3; 5; 6; 9; 10; 11; 12; 18; 20; 21; 22; 2 of 13, 17, 18 & 19; 3 of 4, 7, 8 & 23; 4 of 2 & 15; 5 of 14; 7 of 16]
<b>FOR 3" ROLL TUBES</b>		
1124868		Rear Cable Return Kit* [Includes 1; 3; 5; 6; 10; 11; 12; 18; 20; 2 of 13, 17 & 19; 3 of 4, 7, 8 & 23; 4 of 2 & 15; 5 of 14; 7 of 16]
1124869		Front Cable Return Kit* [Includes 1; 3; 5; 6; 9; 10; 11; 12; 18; 20; 21; 22; 2 of 13, 17 & 19; 3 of 4, 7, 8 & 23; 4 of 2 & 15; 5 of 14; 7 of 16]
1124905		Rear Cable Return Kit w/Roll Tube Extension* [Includes 1; 3; 5; 6; 10; 12; 18; 20; 21; 22; 2 of 13, 17, 18 & 19; 3 of 4, 7, 8 & 23; 4 of 2 & 15; 5 of 14; 7 of 16]
1124906		Front Cable Return Kit w/Roll Tube Extension* [Includes 1; 3; 5; 6; 10; 12; 18; 20; 21; 22; 2 of 13, 17, 18 & 19; 3 of 4, 7, 8 & 23; 4 of 2 & 15; 5 of 14; 7 of 16]
1116117		Cable Spool Kit** [Includes 24; 26; 27; 28; 4 of 25]
1111437		Universal Cable Guide Kit** [Includes 32; 2 of 29, 30 & 31]
1111469		Cable Return Mounting Hardware Kit [Includes 3 of 4, 7 & 8]
1	1702672	Hex Head Cap Screw - 1/4" x 2-1/4"
2	1702654	Machine Screw - 1"
3	1701543	Nylon Lock Hex Nut - 1/4"
4	1700400	Self-Tapping Screw - Non Corrosive Coating - 3/8" x 1"
5	1114728	Universal Cable Return Housing
	1112902	Universal X-Wide Cable Return Housing
6	1115014	Spacer Washer - 1-5/8"
7	1700434	Lock Washer - 3/8"
8	1700407	Hex Nut - 3/8"
9	1112904	Cable Return Back Plate - X-Wide
10	1115206	Velcro® Hook - 1" x 4"

\*For reverse-roll systems, use rear return on front of trailer, front return on rear.

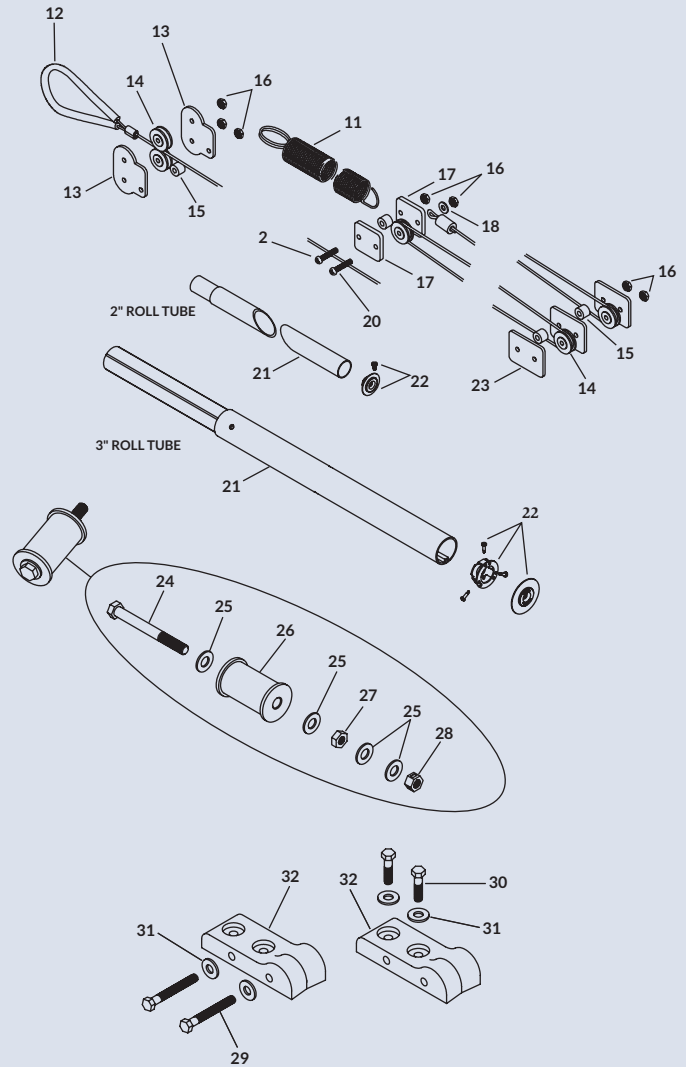
\*\*Used to route cable from return over obstructions or sharp edges.

Continued on next page

# RETURNS – FRONT/REAR CABLE Continued

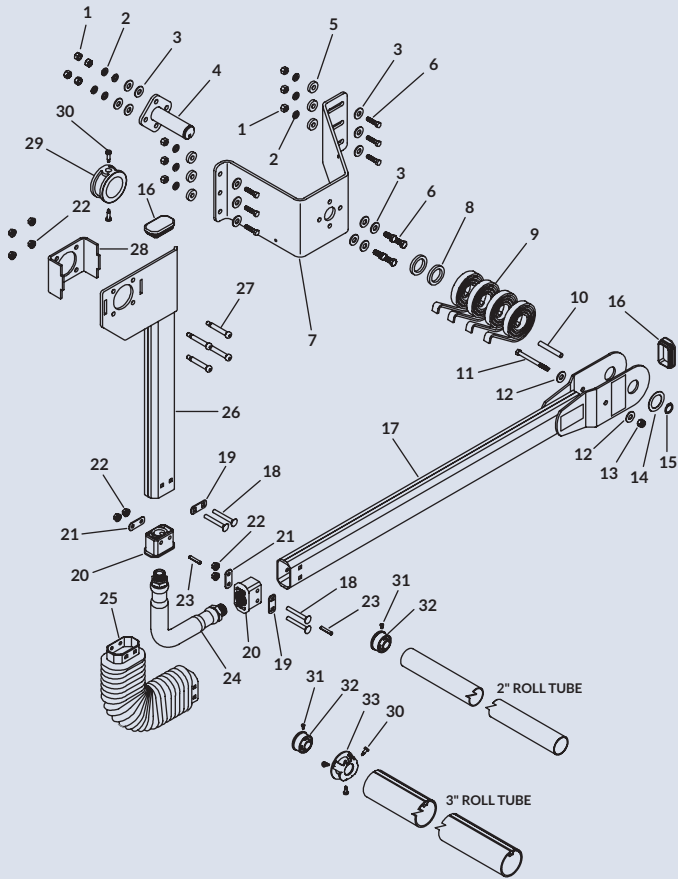
ITEM	PART #	DESCRIPTION
11	1702657	Extension Spring
12	1114582	Cable w/Return Strap
	1114932	X-Wide Cable w/Return Strap
	1124870	Cable w/Return Strap*** - 3"
13	1114691	Front Retainer Plate
14	1703006	Pulley - 1/16" Cable Groove
15	1111056	Plastic Spacer - 3/8" Thick
16	1702653	Machine Screw Nut
17	1112997	Rope Block Retainer Plate
18	1111054	Flat Washer
19	1702656	Machine Screw - 1-1/2"
20	1702655	Machine Screw - 1-1/4"
21	1117496	Swaged Roll Tube Extension - 2" x 32"
	1124901	Roll Tube Extension*** - 3" x 45"
22	1111808	End Plug/Cable Retainer w/Screw
	1124904	End Plug/Cable Retainer w/Screws*** - 3"
23	1110913	Rear Retainer Plate
24	1703048	Hex Head Cap Screw - 3/8" x 3-1/2"
25	1701176	Flat Washer - 3/8" SAE
26	1703605	Cable Spool
27	1701062	Hex Jam Nut - 3/8"
28	1700418	Centerlock Hex Nut - 3/8"
29	1700371	Hex Head Cap Screw - 3/8" x 3"
30	1701434	Hex Head Cap Screw - 3/8" x 1-1/2"
31	1700429	Flat Washer - 3/8"
32	1110410	Universal Cable Guide

\*\*\*Used with 3" roll tubes.





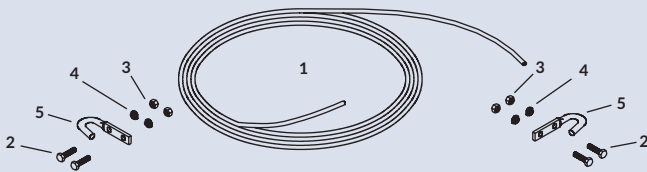
## RETURNS - HEAVY-DUTY FRONT ARM



ITEM	PART #	DESCRIPTION
		Heavy-Duty Front Arm Return [Includes 4; 7; 10; 11; 13; 14; 15; 17; 24; 25; 26; 28; 29; 31; 32; 2 of 8, 12, 16, 19, 20, 21, 23 & 30; 4 of 9 & 27; 6 of 18; 8 of 5; 10 of 1, 2 & 22; 14 of 3]
		HD Front Arm Return - 3" [Includes 4; 7; 10; 11; 13; 14; 15; 17; 24; 25; 26; 28; 29; 31; 32; 33; 2 of 8, 12, 16, 19, 20, 21, 23 & 30; 4 of 9 & 27; 6 of 18; 8 of 5; 10 of 1, 2 & 22; 14 of 3]
		Flex Arm Joint Hardware Kit [Includes 19; 21; 2 of 18, 22 & 23]
		Spring Support Hardware Kit [Includes 10; 11; 13; 14; 15; 2 of 8 & 12]
		Pivot Bracket Hardware Kit [Includes 10 of 1, 2 & 6; 6 of 5; 14 of 3]
		Exposed Spline/Bearing Hardware Kit [Includes 28; 29; 2 of 16, 19, 20, 21, 23 & 30; 4 of 18 & 27; 8 of 22]
		Exposed Spline/Bearing Hardware Kit - 3" [Includes 28; 29; 33; 2 of 16, 19, 20, 21, 23 & 30; 4 of 18 & 27; 8 of 22]
		Flex Joint Hardware [Includes 2 of 19 & 21; 4 of 18 & 22]
1	1700407	Hex Nut - 3/8"
2	1700434	Lock Washer - 3/8"
3	1700429	Flat Washer - 3/8"
4	1116920	Pivot Pin - 4 Spring
5	1120291	Spacer Washer - 1/4" x 1" OD x .406"
6	1702891	Hex Head Cap Screw - 3/8" x 1-1/4"
7	1121578	Pivot Mount Bracket - 6" x 9-1/4" Standoff
8	1118318	Spacer Washer - 1/4" x 1.81" OD x 1.28"
9	1111027	Spiral Torsion Spring
10	1117033	Spacer Tube - .35" x 2-5/8"
11	1201022	Hex Head Cap Screw - 5/16" x 3-1/2"
12	1700428	Flat Washer - 5/16"
13	1700419	Nylon Lock Hex Nut - 5/16"
14	1702890	Flat Washer - 1-1/4"
15	1702888	Retaining Ring - 1-1/4"
16	1704892	Cap Plug
17	1121617	Lower Flex Arm w/Warning Decals - Front
18	1701455	Carriage Bolt - 5/16" x 2-1/2" - GR5
19	1121414	Bellow Plate - Square Holes
20	1704891	End Fitting
21	1121413	Bellow Plate - Round Holes
22	1704931	Flanged Nylon Lock Nut - 5/16"
23	1704966	Spring Pin - 1/4" x 1-3/8"
24	1125154	Replacement Flex Arm Joint - 4500 HD [Includes Flex Hose; 25; 2 of 19, 20, 21 & 23; 4 of 18 & 22]
25	1704775	Arm Bellow
26	1121281	Upper Flex Arm - Bearing
	1124958	Upper Flex Arm - Bearing - 3"
27	1704943	Shoulder Bolt - 3/8" x 2" Thread x 5/16" x 1/2"
28	1121430	Bearing Mount Box
	1123248	Bearing Mount Box - 3"
29	1704942	Rear Arm Bearing Ring
	1705160	Rear Arm Bearing Ring - 3"
30	1705198	Self-Drilling Screw - 1/4" x 1"
31	1704743	Self-Drilling Screw - #10 x 1/2"
32	1100138	Nylon End Plug
33	1121041	Roll Tube End Cap - Front*

\*Used with 3" roll tubes.

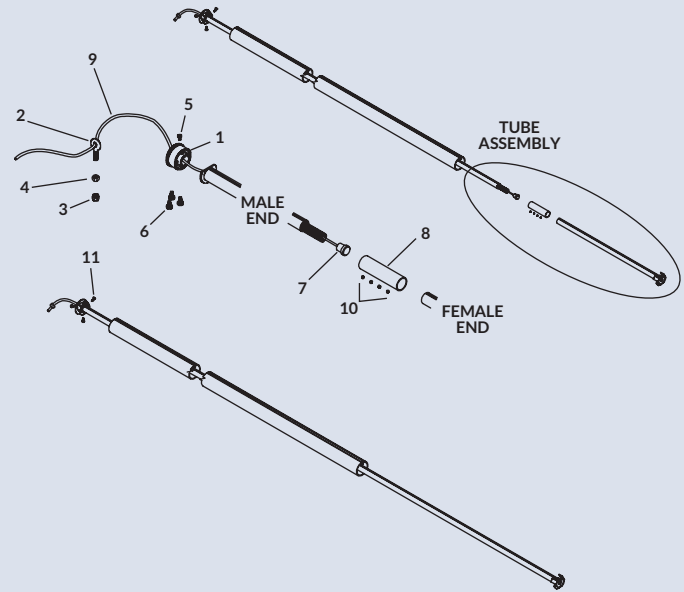
## RETURNS - ROPE



ITEM	PART #	DESCRIPTION
		Rope Return Kit [Includes 1; 2 of 5; 4 of 2, 3 & 4]
1	1100469	Rope - 32'
2	1700381	Hex Head Cap Screw - 1/4" x 1"
3	1700408	Hex Nut - 1/4"
4	1700436	Lock Washer - 1/4"
5	1700682	Box Hook - 5/16" Holes

## RETURNS – SHUR-RETURN™

ITEM	PART #	DESCRIPTION
1100824		Shur-Return™ Kit [Includes Tube Assembly; 1; 2; 3; 4; 5; 9; 5 of 6]
1107881		2-Piece Shur-Return™ Kit* [Includes Tube Assembly; 1; 2; 3; 4; 5; 7; 8; 9; 4 of 10; 5 of 6]
1124875		Shur-Return™ Kit - 3"*** [Includes Tube Assembly; 1; 2; 3; 4; 5; 9; 3 of 11; 5 of 6]
1124876		2-Piece Shur-Return™ Kit - 3"*** [Includes Tube Assembly; 1; 2; 3; 4; 5; 7; 8; 9; 3 of 11; 4 of 10; 5 of 6]
1107128		Shur-Return™ Hardware Kit [Includes 1; 2; 3; 4; 5; 5 of 6]
1124881		Shur-Return™ Hardware Kit - 3"*** [Includes 1; 2; 3; 4; 5; 3 of 10; 5 of 6]
1	1100138	Nylon End Plug
2	1700717	Eyebolt Anchor - 5/16"
3	1700419	Nylon Lock Hex Nut - 5/16"
4	1700411	Hex Nut - 5/16"
5	1704743	Self-Drilling Screw - #10 x 1/2"
6	1700736	Self-Tapping Screw - 1/4" x 1/2"
7	1100827	Spring Retainer Plug
8	1107879	Connector Sleeve
9	1100826	Shur-Return™ Rope***
10	1701423	Hex Socket Set Screw - #10 x 3/16"
11	1705198	Self-Drilling Screw - 1/4" x 1"



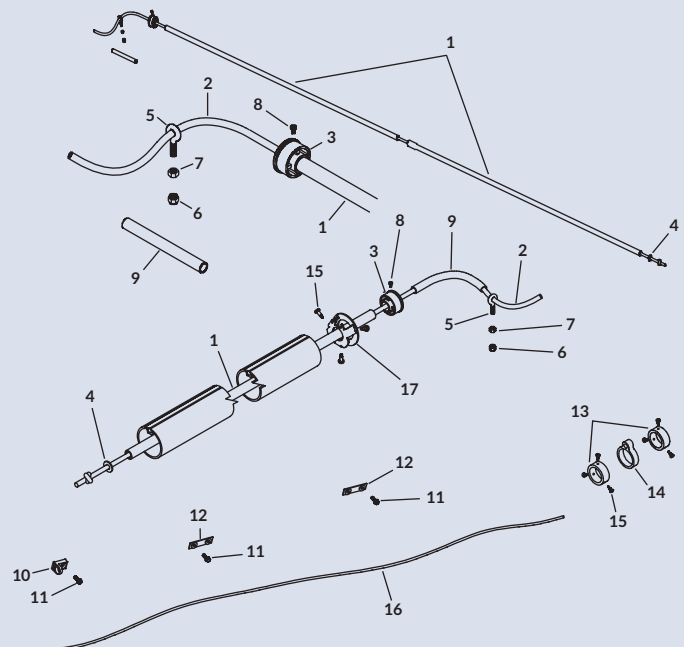
\*Additional overlength shipping charges apply.

\*\*Used with 3" roll tubes.

\*\*\*Shur-Return™ rope does NOT stretch, see stretch cord, below.

## RETURNS – STRETCH CORD

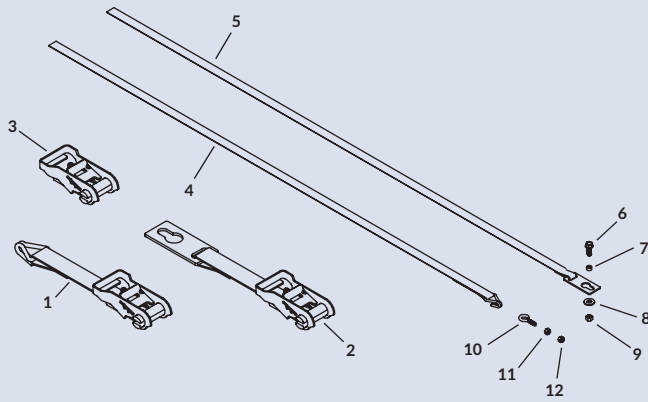
ITEM	PART #	DESCRIPTION
1114359		Front Stretch Cord Roll Return Kit* [Includes 1; 2; 3; 4; 5; 6; 7; 8; 9]
1124882		Front Stretch Cord Roll Return Kit* - 3"*** [Includes 1; 2; 3; 4; 5; 6; 7; 8; 9; 17; 3 of 15]
1114361		X-Wide Front Stretch Cord Roll Return Kit* [Includes 1; 2; 3; 4; 5; 6; 7; 8; 9]
1114951		Shock Cord Roll Return Kit [Includes 10; 12; 14; 16; 2 of 11 & 13; 6 of 15]
1119034		Replacement End Plug Kit [Includes 3; 8]
1107127		Roll Return Hardware Kit* [Includes 3; 4; 5; 6; 7; 8; 9]
1124883		Roll Return Hardware Kit* - 3"*** [Includes 3; 4; 5; 6; 7; 8; 9; 17; 3 of 15]
1	1111067	Roll Return Tube Set - 2 Pc.
	1115041	X-Wide Roll Return Tube Set - 3 Pc.
2	1114360	Roll Return Stretch Cord*** - 11-1/2'
	1114362	Roll Return Stretch Cord*** - 16-1/2'
	1703335	Bulk Roll Return Stretch Cord (Sold only in 300' rolls)
3	1100138	Nylon End Plug
4	1703373	Flat Washer - 1/2"
5	1700717	Eyebolt Anchor - 5/16"
6	1700419	Nylon Lock Hex Nut - 5/16"
7	1700411	Hex Nut - 5/16"
8	1704743	Self-Drilling Screw - #10 x 1/2"
9	1107680	Protective Stretch Cord Cover
10	1703445	Shock Cord Eye Bracket
11	1700400	Self-lapping Screw - Non Corrosive Coating \ - 3/8" x 1"
12	1114948	Shock Cord Tie-Down Strap
13	1704352	Rear Arm Retaining Collar
14	1114947	Roll Tube Eye
15	1705198	Self-Drilling Screw - 1/4" x 1"***
16	1122332	Shock Cord - 11-1/2"
17	1121041	Roll Tube End Cap - Front**



\*Includes instructions.

\*\*Used on 3" roll tubes.

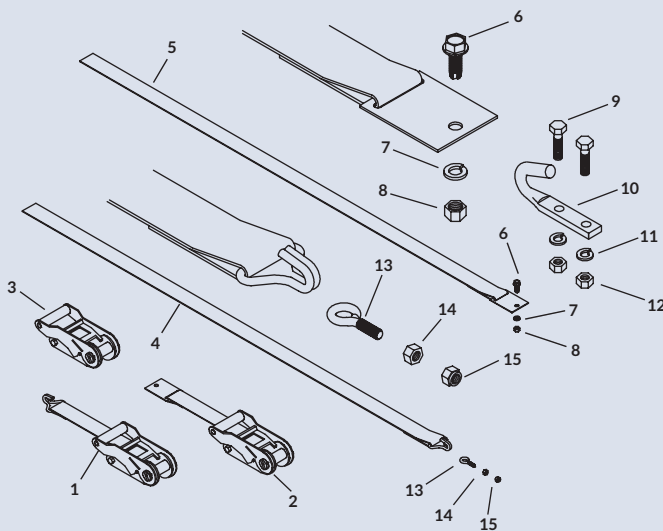
\*\*\*Comes with protective stretch cord cover (P/N 1107680).



## RIDGE STRAPS – 1" GALVANIZED STEEL

ITEM	PART #	DESCRIPTION
	1101685	Ridge Strap Kit w/Anchor - 1" x 25' [Includes 2; 5; 2 of 6, 7, 8 & 9]
	1101686	Ridge Strap Kit w/Anchor - 1" x 39' [Includes 2; 5; 2 of 6, 7, 8 & 9]
	1101687	Ridge Strap Kit w/Anchor - 1" x 46' [Includes 2; 5; 2 of 6, 7, 8 & 9]
	1107068	Ridge Strap Kit w/Anchor - 1" x 56' [Includes 2; 5; 2 of 6, 7, 8 & 9]
	1101833	Ridge Strap Kit w/Hook* - 1" x 46' [Includes 1; 4]
	1120454	Ridge Strap Kit w/Hook* - 1" x 56' [Includes 1; 4]
	1105244	Ridge Strap Hardware Kit - 1" [Includes 2 of 6, 7, 8 & 9]
	1101689	Eyebolt Hardware Kit [Includes 2 of 10, 11 & 12]
1	1106153	Ratchet w/1" Ridge Strap/Hook
2	1101678	Ratchet w/1" Ridge Strap/Anchor
3	1700836	Ratchet - 1" Web
4	1118520	Ridge Strap w/Hook - 1" x 10'
	1118522	Ridge Strap w/Hook - 1" x 14'
	1121406	Ridge Strap w/Hook - 1" x 18'
	1118524	Ridge Strap w/Hook - 1" x 24'
	1101835	Ridge Strap w/Hook - 1" x 46'
	1116163	Ridge Strap w/Hook - 1" x 56'
5	1101680	Ridge Strap w/Anchor - 1" x 25'
	1101681	Ridge Strap w/Anchor - 1" x 39'
	1101682	Ridge Strap w/Anchor - 1" x 46'
	1107066	Ridge Strap w/Anchor - 1" x 56'
6	1700400	Self-Tapping Screw - Non Corrosive Coating - 3/8" x 1"
7	1101683	Anchor Bushing
8	1701176	Flat Washer - 3/8"
9	1700418	Centerlock Hex Nut - 3/8"
10	1700717	Eyebolt Anchor - 5/16"
11	1700411	Hex Nut - 5/16"
12	1700419	Nylon Hex Nut - 5/16"

\*Eyebolt NOT included.



## RIDGE STRAPS – 2" GALVANIZED STEEL

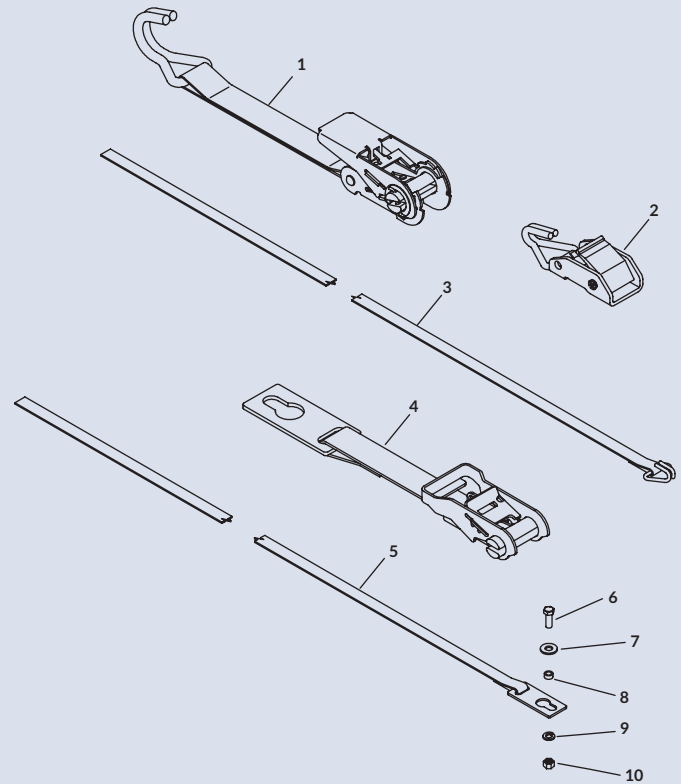
ITEM	PART #	DESCRIPTION
	1100783	Ridge Strap Kit w/Anchor - 2" x 25' [Includes 2; 5; 2 of 6, 7, 8 & 10; 4 of 9, 11 & 12]
	1100784	Ridge Strap Kit w/Anchor - 2" x 39' [Includes 2; 5; 2 of 6, 7, 8 & 10; 4 of 9, 11 & 12]
	1100774	Ridge Strap Kit w/Anchor - 2" x 46' [Includes 2; 5; 2 of 6, 7, 8 & 10; 4 of 9, 11 & 12]
	1107069	Ridge Strap Kit w/Anchor - 2" x 56' [Includes 2; 5; 2 of 6, 7, 8 & 10; 4 of 9, 11 & 12]
	1111823	Ridge Strap Kit w/Hook* - 2" x 46' [Includes 1; 4]
	1105242	Ridge Strap Hardware Kit - 2" [Includes 2 of 6, 7, 8 & 10; 4 of 9, 11 & 12]
1	1111818	Ratchet w/2" Ridge Strap/Hook
2	1100594	Ratchet w/2" Ridge Strap/Anchor
3	1700519	Ratchet - 2" Web
4	1111817	Ridge Strap w/Hook - 2" x 48'
5	1100571	Ridge Strap w/Anchor - 2" x 25'
	1100579	Ridge Strap w/Anchor - 2" x 39'
	1100580	Ridge Strap w/Anchor - 2" x 48'
	1107067	Ridge Strap w/Anchor - 2" x 56'
6	1700400	Self-Tapping Screw - Non Corrosive Coating - 3/8" x 1"
7	1700434	Lock Washer - 3/8"
8	1700407	Hex Nut - 3/8"
9	1700381	Hex Head Cap Screw - 1/4" x 1"
10	1700682	Box Hook - 5/16" Holes
11	1700436	Lock Washer - 1/4"
12	1700408	Hex Nut - 1/4"
13	1700717	Eyebolt Anchor - 5/16"
14	1700411	Hex Nut - 5/16"
15	1700419	Nylon Hex Nut - 5/16"

\*Eyebolt NOT included.



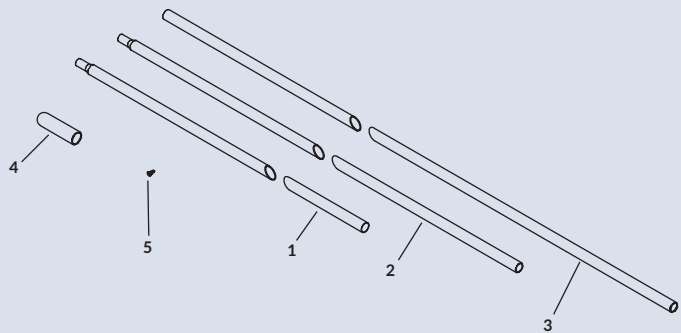
## RIDGE STRAPS – 1" POWDER-COATED/STAINLESS

ITEM	PART #	DESCRIPTION
	1123803	Stainless Ridge Strap Kit w/Anchor - 1" x 41" [Includes 4; 5; 2 of 6, 8, 9 & 10; 4 of 7]
	1123804	Stainless Ridge Strap Kit w/Anchor - 1" x 48" [Includes 4; 5; 2 of 6, 8, 9 & 10; 4 of 7]
	1128794	Stainless Ridge Strap Kit w/Anchor - 1" x 53" [Includes 4; 5; 2 of 6, 8, 9 & 10; 4 of 7]
	1120301	Stainless Ridge Strap Kit w/Hook - 1" x 10' [Includes 1; 3]
	1120302	Stainless Ridge Strap Kit w/Hook - 1" x 14' [Includes 1; 3]
	1121407	Stainless Ridge Strap Kit w/Hook - 1" x 18' [Includes 1; 3]
	1121409	Stainless Ridge Strap Kit w/Hook - 1" x 24' [Includes 1; 3]
	1118513	Powder-Coated Ridge Strap Kit w/Hook - 1" x 10" [Includes 2; 3]
	1118515	Powder-Coated Ridge Strap Kit w/Hook - 1" x 14" [Includes 2; 3]
	1118517	Powder-Coated Ridge Strap Kit w/Hook - 1" x 18" [Includes 2; 3]
	1118519	Powder-Coated Ridge Strap Kit w/Hook - 1" x 24" [Includes 2; 3]
	1123806	Stainless Ridge Strap Hardware Kit - 1" [Includes 2 of 6, 8, 9 & 10; 4 of 7]
1	1120300	Stainless Ratchet w/1" Ridge Strap
2	1118509	Buckle Weldment
3	1118512	Powder-Coated Ridge Strap w/Hook - 1" x 10'
	1120298	Stainless Ridge Strap w/Hook - 1" x 10'
	1118514	Powder-Coated Ridge Strap w/Hook - 1" x 14'
	1120299	Stainless Ridge Strap w/Hook - 1" x 14'
	1118516	Powder-Coated Ridge Strap w/Hook - 1" x 18'
	1121408	Stainless Ridge Strap w/Hook - 1" x 18'
	1118518	Powder-Coated Ridge Strap w/Hook - 1" x 24'
	1121410	Stainless Ridge Strap w/Hook - 1" x 24'
4	1117585	Stainless Ratchet w/1" Ridge Strap/Anchor
5	1117493	Stainless Ridge Strap w/Anchor - 1" x 41'
	1117494	Stainless Ridge Strap w/Anchor - 1" x 48'
	1117495	Stainless Ridge Strap w/Anchor - 1" x 53'
6	1703579	Stainless Hex Head Cap Screw - 3/8" x 1"
7	1703577	Stainless Flat Washer - 3/8"
8	1101683	Anchor Bushing - 3/8"
9	1703576	Stainless Lock Washer - 3/8"
10	1200999	Stainless Hex Nut - 3/8"

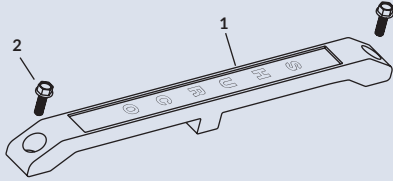


## RIDGEPOLES

ITEM	PART #	DESCRIPTION
	1105310	Rollaway Ridgepole Hardware [Includes 2 of 4; 2 of 5]
1	1701204	Ridgepole Tube - 16'
	1706159	Ridgepole Tube - 8'
2	1701205	Ridgepole Tube - 20'
	1706158	Ridgepole Tube - 11'
3	1701206	Ridgepole Tube - 24'
	1706157	Ridgepole Tube - 15'
4	1700212	Protective Cap
5	1704768	Self-Drilling Screw - 1/4" x 3/4"

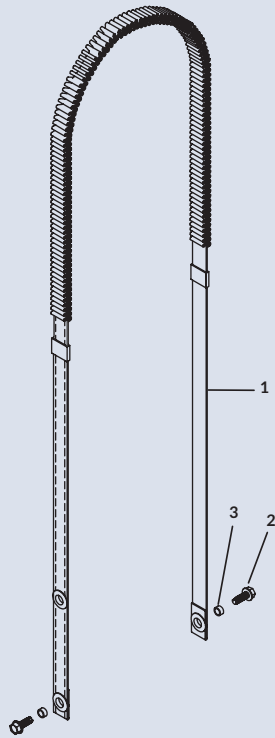


## ROLL TUBE DEFLECTORS



ITEM	PART #	DESCRIPTION
	1117513	Single Molded Roll Tube Deflector Kit - Gray [Includes 1; 2 of 2]
	1114579	Double Molded Roll Tube Deflector Kit - Gray [Includes 2 of 1; 4 of 2]
	1117514	Single Molded Roll Tube Deflector Kit - Black [Includes 1; 2 of 2]
	1114659	Double Molded Roll Tube Deflector Kit - Black [Includes 2 of 1; 4 of 2]
1	1112029	Molded Roll Tube Deflector - Gray - 17-1/4"
	1114658	Molded Roll Tube Deflector - Black - 17-1/4"
2	1701059	Self-Tapping Screw - 5/16" x 1"

## TARP CORDS – GUSTBUSTER™

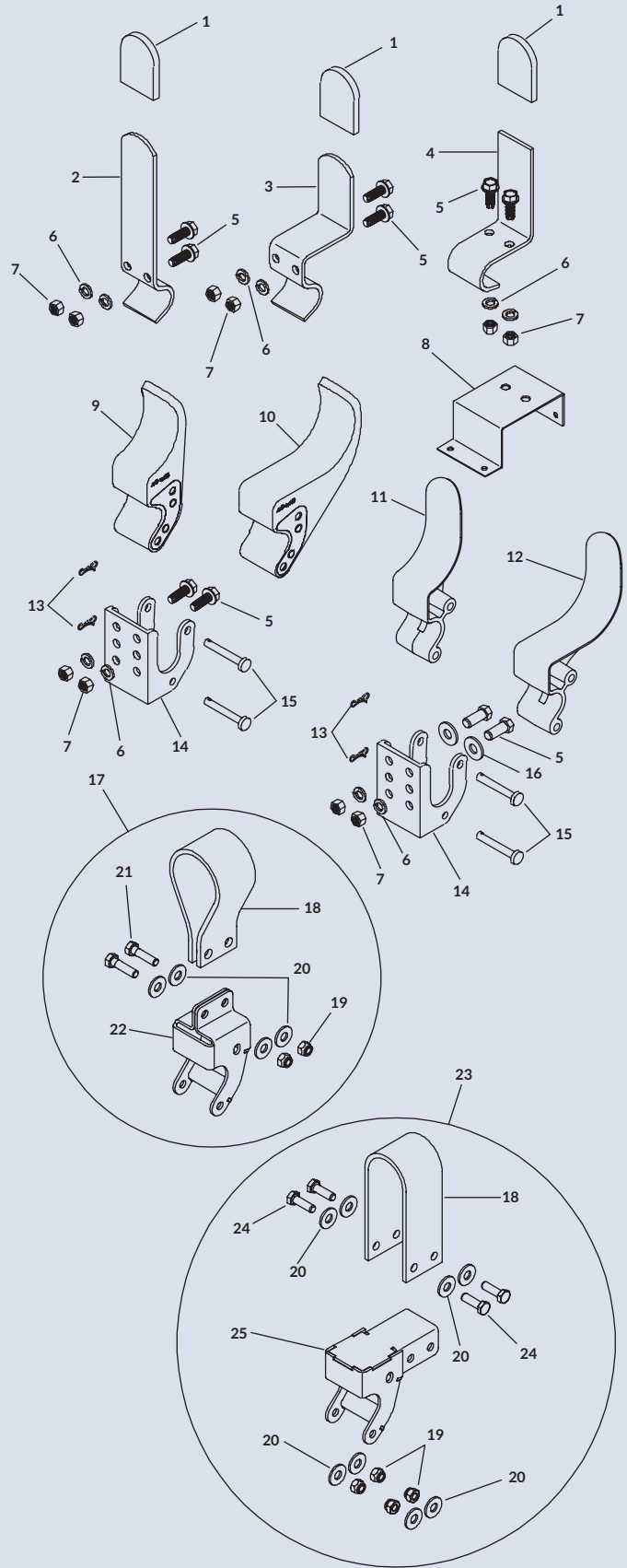


ITEM	PART #	DESCRIPTION
	1125679	GustBuster™ Cord Kit - GT (8' to 9') - 1 Cord [Includes 1; 2 of 2; 3 of 3]
	1125680	GustBuster™ Cord Kit - GT (8' to 9') - 2 Cords [Includes 2 of 1; 4 of 2; 6 of 3]
	1125681	GustBuster™ Cord Kit - GT (8' to 9') - 3 Cords [Includes 3 of 1; 6 of 2; 9 of 3]
	1126741	GustBuster™ Cord Kit - GC (10' to 11') - 2 Cords [Includes 2 of 1; 4 of 2; 6 of 3]
	1126742	GustBuster™ Cord Kit - GC (11' to 12') - 2 Cords [Includes 2 of 1; 4 of 2; 6 of 3]
	1126743	GustBuster™ Cord Kit - GC (12' to 13') - 2 Cords [Includes 2 of 1; 4 of 2; 6 of 3]
1	1705638	GustBuster™ Tarp Cord - GT (8' to 9')
	1126738	GustBuster™ Tarp Cord - GC (10' to 11')
	1126739	GustBuster™ Tarp Cord - GC (11' to 12')
	1126740	GustBuster™ Tarp Cord - GC (12' to 13')
2	1700400	Self-Tapping Screw - Non Corrosive Coating - 3/8" x 1"
3	1101683	Anchor Bushing

NOTE: Additional GustBuster™ sizes available upon request.

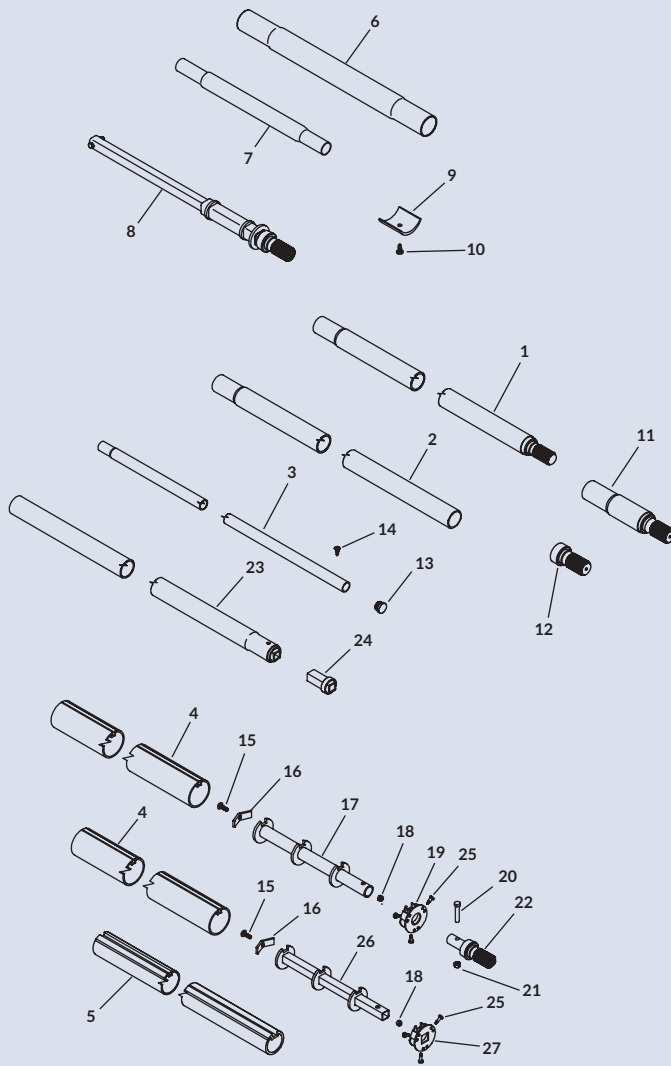
# TARP STOPS

ITEM	PART #	DESCRIPTION
<b>TARP STOPS w/MOUNTING HARDWARE</b>		
1111092		Standard Tarp Stop w/Mounting Hardware [Includes 1; 2; 2 of 5, 6 & 7]
1111093		Offset Tarp Stop w/Mounting Hardware [Includes 1; 3; 2 of 5, 6 & 7]
1111096		Recessed Tarp Stop w/Mounting Hardware [Includes 1; 4; 2 of 5, 6 & 7]
1124780		Easy-Off Aluminum (Cast) Tarp Stop w/Mounting Hardware [Includes 11; 14; 2 of 5, 6, 7, 13 & 15]
1124781		Powder-Coated Easy-Off Aluminum (Cast) Tarp Stop w/Mounting Hardware [Includes 11; 14; 2 of 5, 6, 7, 13 & 15]
1124782		Powder-Coated Easy-Off Aluminum (Cast) Tarp Stop - Stainless Body w/Mounting Hardware [Includes 11; 14; 2 of 5, 6, 7, 13 & 15]
1124783		Easy-Off Aluminum (Cast) 6" Offset Tarp Stop w/Hardware [Includes 12; 14; 2 of 5, 6, 7, 13 & 15]
1124784		6" Offset Tarp Stop w/Hardware [Includes 12; 14; 2 of 5, 6, 7, 13 & 15]
1114047		Easy-Off Flexible Tarp Stop w/Mounting Hardware [Includes 9; 14; 2 of 5, 6, 7, 13 & 15]
1114388		Easy-Off Flexible 6" Offset Tarp Stop w/Mounting Hardware [Includes 10; 14; 2 of 5, 6, 7, 13 & 15]
1122278		Easy-Off Belt Flex Tarp Stop w/Mounting Hardware [Includes 14; 18; 22; 2 of 5, 6, 7, 13, 15, 19 & 21; 4 of 20]
1123798		Easy-Off Belt Flex 6" Offset Tarp Stop w/Mounting Hardware [Includes 14; 18; 25; 2 of 5, 6, 7, 13 & 15; 4 of 19 & 24; 8 of 20]
1118389		Bowtie Cotter Pin/Ring Assembly [Includes 2 of 13 & 15]
1	1700729	Protective Cap
2	1100049	Standard Tarp Stop
3	1100392	Offset Tarp Stop
4	1105163	Recessed Tarp Stop
5	1700400	Self-Tapping Screw - Non Corrosive Coating - 3/8" x 1"
	1703579	Stainless Hex Head Cap Screw - 3/8" x 1"
6	1700434	Lock Washer - 3/8"
	1703576	Stainless Lock Washer - 3/8"
7	1700407	Hex Nut - 3/8"
	1200999	Stainless Hex Nut - 3/8"
8	1100814	Tarp Stop Bracket
9	1115216	Easy-Off Flexible Tarp Stop Upright w/Embedded Safety Plate
10	1115217	Easy-Off Flexible 6" Offset Tarp Stop Upright w/Embedded Safety Plate
11	1705775	Easy-Off Aluminum (Cast) Tarp Stop Upright
	1124770	Powder-Coated EO Alum. (Cast) Tarp Stop Upright
12	1705454	Easy-Off Alum. (Cast) 6" Offset Tarp Stop Upright
	1124772	Powder-Coated EO Aluminum (Cast) 6" Offset Tarp Stop Upright
13	1704380	Bowie Cotter Pin - 1-3/8"
14	1100833	Easy-Off Tarp Stop Body
	1116975	Stainless Easy-Off Tarp Stop Body
15	1703604	Clevis Pin - 5/16" x 2-7/8"
16	1703577	Stainless Flat Washer - 3/8"
17	1122260	Easy-Off Belt Flex Tarp Stop Upright
18	1122237	Rubber Belting - 1/5" x 2" x 12"
19	1700419	Nylon Lock Hex Nut - 5/16"
20	1700428	Flat Washer - 5/16"
21	1701208	Hex Head Cap Screw - 5/16" x 1-1/4"
22	1122259	Tarp Stop Upright Bracket
23	1123455	Easy-Off Belt Flex 6" Offset Tarp Stop Upright
24	1704416	Hex Head Cap Screw - 5/16" x 1"
25	1123454	Tarp Stop Upright Bracket - Offset





## TARP TUBES



ITEM	PART #	DESCRIPTION
<b>Use w/SHUR-LOK® ROLL TARPS</b>		
	1115966	U-Clamp Replacement Kit - 2" Roll Tube [Includes 3 of 9 & 10]
	1118643	U-Clamp Replacement Kit - 2" Roll Tube [Includes 8 of 9 & 10]
	1118644	U-Clamp Replacement Kit - 2" Roll Tube [Includes 10 of 9 & 10]
	1118663	U-Clamp Replacement Kit - 2" Roll Tube [Includes 14 of 9 & 10]
	1126790	U-Clamp Replacement Kit - 3" Roll Tube [Includes 3 of 9 & 10]
	1126791	U-Clamp Replacement Kit - 3" Roll Tube [Includes 8 of 9 & 10]
	1126792	U-Clamp Replacement Kit - 3" Roll Tube [Includes 10 of 9 & 10]
	1126793	U-Clamp Replacement Kit - 3" Roll Tube [Includes 14 of 9 & 10]
	1122879	Manual Crank Kit - 3" Aluminum Roll Tube [Includes 15; 16; 17; 18; 19; 20; 21; 22; 3 of 25]
<b>1</b>	1107057	Roll Tube w/Spline - 2" x 16'
	1128148	Roll Tube w/Spline - 2" x 8'
	1128147	Roll Tube w/Spline - 2" x 11'8"
	1107058	Roll Tube w/Spline - 2" x 20'
	1107059	Roll Tube w/Spline - 2" x 24'
<b>2</b>	1700048	Roll Tube - 2" x 16'
	1706153	Roll Tube - 2" x 8'
	1700046	Roll Tube - 2" x 20'
	1706152	Roll Tube - 2" x 11'
	1701427	Roll Tube - 2" x 24'
	1706151	Roll Tube - 2" x 15'
<b>3</b>	1700051	Fixed Tube - 1-1/8" x 16'
	1706156	Fixed Tube - 1-1/8" x 8'
	1700049	Fixed Tube - 1-1/8" x 20'
	1706155	Fixed Tube - 1-1/8" x 11'
	1701428	Fixed Tube - 1-1/8" x 24'
	1706154	Fixed Tube - 1-1/8" x 15'
<b>4</b>	1118639	Aluminum Roll Tube - 3" x 12'
	1704439	Aluminum Roll Tube - 3" x 16'
	1704398	Aluminum Roll Tube - 3" x 20'
	1704236	Aluminum Roll Tube - 3" x 24'
<b>5</b>	1704863	Aluminum Splice Tube - 3"
<b>6</b>	1107076	Roll Tube Swaged Connector
<b>7</b>	1107077	Fixed Tube Swaged Connector
<b>8</b>	1126182	Extendable Spline Assembly*
<b>9</b>	1701354	Plastic U-Clamp
<b>10</b>	1700398	Self-Drilling Screw - 1/4" x 3/4"
	1705198	Self-Drilling Screw - 1/4" x 1"
<b>11</b>	1107260	Spline Shaft Replacement - 2" x 9"
	1117670	Spline Shaft Replacement - 2" x 13"
	1120107	Spline Shaft Replacement - 2" x 21"
<b>12</b>	1701244	Spline Shaft w/o Connector Tube
<b>13</b>	1700523	Plastic End Plug
<b>14</b>	1704768	Flat-Headed Self-Drilling Screw - 1/4" x 3/4"
<b>15</b>	1704237	Carriage Bolt - 5/16" x 1" - GR5
<b>16</b>	1118194	Cartridge Clamp
<b>17</b>	1121039	Rear Cartridge
<b>18</b>	1704297	Nylon Lock Nut - 5/16"
<b>19</b>	1121040	Roll Tube End Cap - Rear
<b>20</b>	1704264	Hex Head Cap Screw - 3/8" x 2"
<b>21</b>	1702668	Top Lock Hex Nut - 3/8"
<b>22</b>	1121111	Manual Crank Spline - 3"
<b>Use w/BELT 'N RATCHET TARPS</b>		
	1124899	Manual Crank Kit - 3" Aluminum Roll Tube w/ Square Key [Includes 15; 16; 18; 26; 27; 3 of 25]
<b>23</b>	1105132	Roll Tube w/Square Key - 2" x 16'
	1128151	Roll Tube w/Square Key - 2" x 8'
	1105131	Roll Tube w/Square Key - 2" x 20'
	1128150	Roll Tube w/Square Key - 2" x 11'
	1105124	Roll Tube w/Square Key - 2" x 24'
	1128149	Roll Tube w/Square Key - 2" x 15'
<b>24</b>	1105033	Roll Tube Square Key Replacement
<b>25</b>	1705198	Self-Drilling Screw - 1/4" x 1"
<b>26</b>	1124893	Rear Cartridge w/Square Key
<b>27</b>	1124896	Roll Tube End Cap - Rear w/Square Key

\*For use with aluminum extendable spline end caps; see page 54.

# SHUR-LOK® JUNIOR

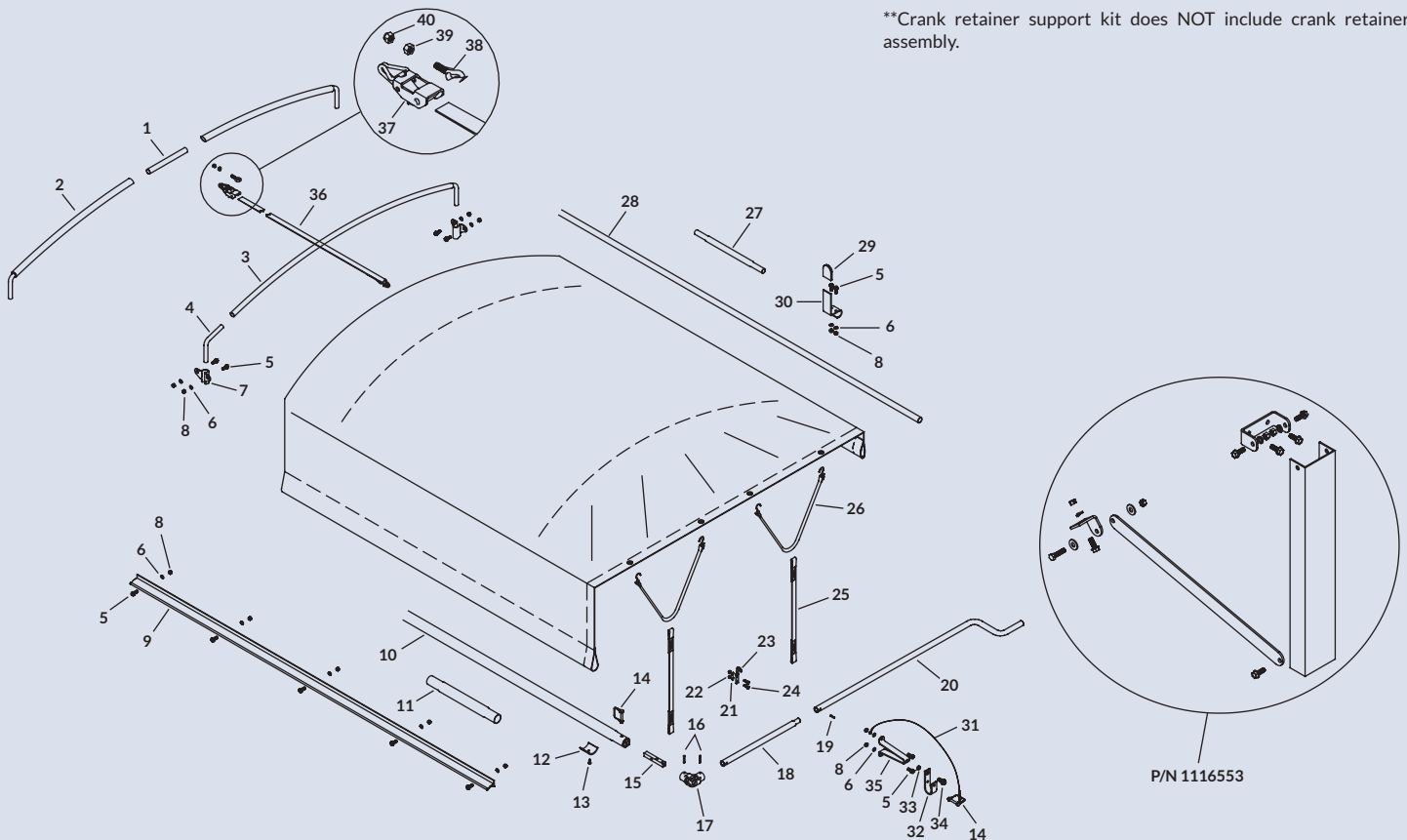
ITEM	PART #	DESCRIPTION
	1100766	Galvanized Bow Kit - 8" Rise* - 93" to 102" [Includes 3; 4; 2 of 7; 4 of 5, 6 & 8]
	1117916	Galvanized Bow Kit - 8" Rise* - 85" to 92" [Includes 3; 4; 2 of 7; 4 of 5, 6 & 8]
	1106943	X-Wide Galvanized Bow Kit - 8" Rise* - 103" to 168" [Includes 1; 2 of 2 & 7; 4 of 5, 6 & 8]
	1111096	Recessed Tarp Stop w/Mounting Hardware [Includes 29; 30; 2 of 5, 6 & 8]
	1100386	Crank Retainer Kit w/7" Standoff [Includes 14; 31; 32; 33; 34; 35; 2 of 5, 6 & 8]
1	1100685	X-Wide Bow Connector Tube
2	1116118	X-Wide Bow - 8" Rise* - 103" to 168"
3	1117904	Galvanized Bow - 8" Rise* - 78" to 84"
	1116120	Galvanized Bow - 8" Rise* - 85" to 92"
	1100760	Galvanized Bow - 8" Rise* - 93" to 102"
4	1100695	Galvanized Bow Shank - 8" Rise*
5	1700400	Self-Tapping Screw - Non Corrosive Coating - 3/8" x 1"
6	1700434	Lock Washer - 3/8"
7	1120836	Single Bow Bracket
8	1700407	Hex Nut - 3/8"
9	1701547	Galvanized Side Mount Latchplate - 8'
10	1128151	Roll Tube w/Square Key - 2" x 8'
	1110328	Roll Tube - 2" x 8'
11	1107076	Roll Tube Swaged Connector
12	1701354	Plastic U-Clamp
13	1700398	Self-Drilling Screw - 1/4" x 3/4"

\*Bow rise is typically 2" greater than rise of cap. Other rises available.

# SHUR-LOK® JUNIOR Continued

ITEM	PART #	DESCRIPTION
14	1700526	Wire Lock Pin - 3/8" x 2-1/2"
15	1105166	Square Crank Key
16	1700445	Spring Pin - 1/4" x 1-1/2"
17	1700527	Econo U-Joint
18	1107838	Square Crank Extension - 33"
19	1701118	Spring Pin - 1/4" x 1-3/16"
20	1100461	Offset Crank Arm
21	1700436	Lock Washer - 1/4"
22	1700408	Hex Nut - 1/4"
23	1700682	Box Hook - 5/16" Holes
24	1700381	Hex Head Cap Screw - 1/4" x 1"
25	1105172	Strap - 24"
	1107005	Strap - 48" (X-Tall Units)
26	1700650	Rubber Strap w/Hooks - 21"
27	1107077	Fixed Tube Swaged Connector
28	1701549	Fixed Tube - 1-1/8" x 8'
29	1700729	Protective Cap
30	1105163	Recessed Tarp Stop
31	1100574	Cable w/#5 Interlock Snap
32	1100040	J-Hook Crank Retainer
33	1100306	Retainer Bushing - 11/16"
34	1702996	Cap Screw - 1/2" x 1-1/4"
35	1100033	Crank Retainer Standoff - 7"
36	1118514	Ridge Strap w/Hook - 1" x 18'
37	1118509	Buckle Weldment
38	1700717	Eyebolt Anchor - 5/16"
39	1700411	Hex Nut - 5/16"
40	1700419	Nylon Lock Nut - 5/16"
<b>OPTIONS</b>		
	1116553	Universal Crank Retainer Support Kit**
	1100749	Aluminum Side Mount Latchplate - 4'
	1700802	Aluminum Side Mount Latchplate - 6'
	1700522	Aluminum Side Mount Latchplate - 8'

\*\*Crank retainer support kit does NOT include crank retainer assembly.



## ORDERS

All orders are subject to written acceptance by Shur-Co®, LLC, PO Box 713, 2309 Shur-Lok Street, Yankton, South Dakota 57078-0713, USA. We are required by law to collect sales tax and F.E.T. taxes on products shipped to states where applicable. If tax exempt, a copy of your tax exempt certificate must accompany your order.

## EXPEDITE/CANCELLATION/CHANGE FEES

In-stock parts orders placed by 10:00 a.m. (Central Time) normally ship the same day. (This varies with quantity/size of the order.) Standard lead time on tarps and hardware kits is generally five (5) to seven (7) working days; however, if you request that your order of tarps, hardware kits and/or complete tarp systems be expedited earlier than the normal lead time, there will be an extra charge of \$25. This fee is in addition to shipping and handling charges. Any change will generate an additional charge of \$25, and a cancellation will generate a 15 percent restocking fee. Lastly, once an order is in production, no changes can be made – the order is then considered final.

NOTE: We have no control over delivery dates – only ship dates.

## SHIPPING

All orders are shipped F.O.B. from Shur-Co®, LLC, Yankton, SD; Vermillion, SD; Stuart, FL; Caldwell, ID; Decatur, IL; West Fargo, ND; Rootstown, OH; Brantford, Ontario, Canada; or Rochester, Kent, UK. No full freight will be allowed and no prepaid shipment accepted unless quoted and approved in writing prior to acceptance of order. All shipments are made by the most reasonable means in accordance with size and weight of order, unless specific routing instructions are furnished by customer. Shipments are made daily via U.P.S. and common carrier. Claims for shortages must be made within 10 days. Claims for damages or loss in transit must be made with the carrier. No collect calls will be accepted. To ensure delivery, we need your full street address and phone number. When you receive your shipment, examine it carefully. Be sure that all cartons listed on the delivery sheet are present and accounted for. Large items, like steel tubing, may be packaged separately. If a carton is damaged, open it and inspect contents before signing for delivery. If merchandise is damaged, describe the damage on the delivery receipt. Failure on your part to document damaged or missing merchandise on the delivery receipt releases carrier of liability; repair or replacement will be the customer's responsibility.

## CREDIT TERMS

Shipments are made on a cash basis – no C.O.D.s. We accept American Express, Discover, VISA, MasterCard and checks by phone or mail. Prices subject to change without notice.

## WARRANTY

We warrant that all new products are free from defects in materials and workmanship.\* Warranty is effective if products are properly installed and used for the purpose for which they were intended and applies to original buyer only. Except as set forth above or as set forth in any product-specific warranty documentation, we make no other warranties, express or implied, including, but not limited to, warranties of merchantability or fitness for a particular use.

## WARRANTY Continued

Returns for warranty must be accompanied by a Return Merchandise Authorization number (RMA#), obtained by calling Customer Service at 866-748-7435, and sent, with freight paid by us, to Shur-Co®, LLC, 2309 Shur-Lok Street, PO Box 713, Yankton, SD 57078-0713, USA. Products returned without an RMA# will be refused. When we issue the RMA#, we will also issue a call tag to have UPS (or other freight company) pick up the product. C.O.D. warranty returns will not be accepted. We will pay no storage charges for a warranty product return prior to pickup by us or the freight company. If a warranty product return is scheduled to be picked up by us, we will do so at our earliest convenience.

If the product returned is found, in our judgement, to be defective in material or workmanship, our obligation under this warranty is limited to repair or replacement of the product, which will be made by us. Repair or replacement will be at our discretion, with replacements being made using current products performing the equivalent function. Labor charges other than those incurred at our factory or customer-owned service location (see back cover for a listing of facilities), including, but not limited to, any labor to install a repaired or replacement product, are not covered under this warranty. All and any expenses associated with delivering defective products to our factory and delivering repaired or replacement products from our factory to the owner will be paid by us.

If the product returned is found, in our judgement, to be non-warrantable, the owner will be contacted to authorize repair, the purchase of a replacement product or return of the product, all of which will be at the owner's expense. Payment authorization must be received by us before any non-warrantable product is repaired, replaced or returned. All expenses associated with delivering the repaired non-warrantable product from our factory to the owner will be paid by the owner.

In no event will we be liable for damages of any kind to person, product or property, including, but not limited to, indirect, incidental, special, consequential or punitive damages, or damages for loss of profits or revenue, even if we have been advised of the possibility of such damages. There are no warranties for used products or products that have been repaired, altered, modified or subjected to misuse, negligence or accident. We will not repair or replace products that fail or malfunction due to ordinary wear and tear, except as expressly provided in a product-specific warranty. The use of non-Shur-Co®, LLC parts in conjunction with our products will void the product warranty.

\*Certain products have specific warranties that differ from this warranty, i.e. motors and electronics. Product-specific warranty documentation is available for these items. In the event of a conflict between this warranty and a product-specific warranty, the product-specific warranty will govern. SEE THE FULL LISTING OF SHUR-CO® PATENTS ON OUR WEBSITE: [shurco.com/patents](http://shurco.com/patents).

## RETURN POLICY

All sales are final. See WARRANTY section at left and above for information on warranty returns.

NOTE: No person is authorized to modify the foregoing conditions of sale whatsoever. All product listings, sizes, weights and manufacturing details in this catalog are subject to change without notice.

Copyright 2021 Shur-Co®, LLC





SHUR-LOK® PRODUCT GUIDE

SALES, INSTALLATIONS, PARTS AND REPAIRS

World Headquarters
SHUR-CO® of SOUTH DAKOTA
2309 Shur-Lok St., Yankton
877.474.8726
FAX: 605.665.0501

SHUR-CO® of VERMILLION
1212 N. Norbeck St., Vermillion
605.658.1020
FAX: 605.658.1022

SHUR-CO® of CANADA
490 Egin St., Unit #2
Brantford, Ontario N3S 7P8
800.265.0823
FAX: 519.715.3997

SHUR-CO® of IDAHO
921 Garber St., Caldwell
208.455.1046
FAX: 208.459.1190

SHUR-CO® of OHIO
4676 Lynn Rd., Rootstown
866.356.0242
FAX: 330.297.5599

Donovan® Brand Headquarters
SHUR-CO® of FLORIDA
3353 SE Gran Park Way, Stuart
800.327.8287
FAX: 772.287.0431

SHUR-CO® of ILLINOIS
3993 E. Mueller Ave., Decatur
866.356.0246
FAX: 217.877.8270

SHUR-CO® of NORTH DAKOTA
1746 4th Ave. NW, West Fargo
877.868.4488
FAX: 701.277.1283

SHUR-CO® UK Limited
Rochester Airport Est., Unit 41
Laker Rd.
Rochester, Kent ME1 3QX
+44 (0) 1795.473499



FOLLOW US ON SOCIAL MEDIA!