



DONOVAN®

TARP SYSTEMS

PRODUCT CATALOG

VOLUME 01
PC001-1221



PULL TARPS • ARM TARPS • WASTE TARPS

BUILT TO BE THE BEST!

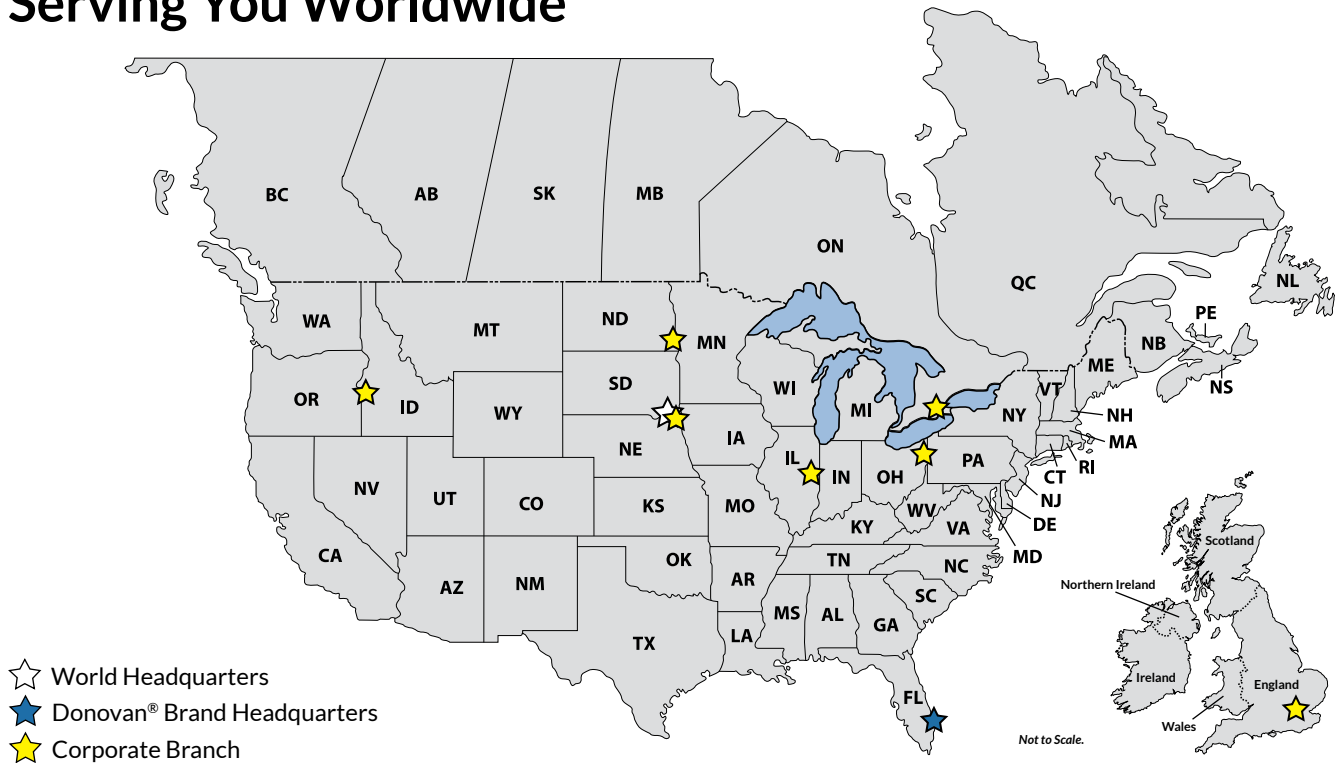


DONOVAN-TARPS.COM

PH. 800-327-8287

CORPORATE DISTRIBUTION CENTERS

Serving You Worldwide



World Headquarters
SHUR-CO® of SOUTH DAKOTA
 2309 Shur-Lok Street, Yankton
877-729-2969
 Fax: 605-665-0501

Donovan® Brand Headquarters
SHUR-CO® of FLORIDA
 3353 SE Gran Park Way, Stuart
800-327-8287
 Fax: 772-287-0431

SHUR-CO® of CANADA
 490 Elgin Street, Unit 2
 Brantford, Ontario N3S 7P8
800-265-0823
 Fax: 519-751-3997

SHUR-CO® of IDAHO
 921 Garber Street, Caldwell
208-455-1046
 Fax: 208-455-1046

SHUR-CO® of OHIO
 4676 Lynn Road, Rootstown
866-356-0242
 Fax: 330-297-5599

SHUR-CO® of VERMILLION
 1212 N. Norbeck St., Vermillion, SD
605-658-1020
 Fax: 605-658-1022

SHUR-CO® of ILLINOIS
 3993 E. Mueller Avenue, Decatur
866-356-0246
 Fax: 217-877-8270

SHUR-CO® of NORTH DAKOTA
 1746 4th Avenue NW, West Fargo
877-868-4488
 Fax: 701-277-1284

SHUR-CO® UK LIMITED
 Unit 41, Rochester Airport Estate
 Laker Road
 Rochester, Kent ME1 3QX

For Shur-Co® branded products,
 please request our Shur-Co® and Flatbed Pricing Catalogs
 by calling any of the numbers listed on this page.





TM

BUILT TO BE THE BEST!

SECTION 1 - PULL STYLE & ARM SYSTEMS

SYSTEM SELECTION.....	4
COMPLETE SYSTEMS.....	5
OPTIONS & ACCESSORIES.....	14
TARP OPTIONS.....	19
REPLACEMENT PARTS.....	22
COMPETITOR CROSS REFERENCE.....	52

SECTION 3 - SHUR-CO® & SHURTITE

COMPLETE SYSTEMS.....	82
-----------------------	----

Shur-Co® Brand Visit: www.SHURCO.com
 ShurTite™ Brand Visit: www.SHURTITE.com

SECTION 2 - WASTE SYSTEMS

SYSTEM SELECTION.....	54
COMPLETE SYSTEMS.....	55
OPTIONS & ACCESSORIES.....	61
TARP OPTIONS.....	62
REPLACEMENT PARTS.....	63

SECTION 4 - NUMERICAL PARTS LIST

REPLACEMENT PARTS LIST.....	87
-----------------------------	----

NOTE: All prices in this catalog are subject to change without notice.

ARM & PULL TARP SYSTEMS

CONTENTS

SYSTEM SELECTION.....	4	BULLET™.....	10
UT TARP KIT™.....	5	FLASH™.....	11
2000SR.....	6	ARM-MATIC™.....	12
DURAPULL™.....	7	OPTIONS & ACCESSORIES.....	14
5000X.....	8	TARP OPTIONS.....	19
HAMMER™ II.....	9	REPLACEMENT PARTS.....	22

		10'	12'	14'	16'	18'	20'	22'	24'	26'	28'	30'	32'	34'	36'	38'	40'
PULL STYLE	CRANK RETURN																
	SPRING RETURN	<div style="display: flex; justify-content: space-between;"> <div style="width: 40%;">2000SR PULL-STYLE TARP SYSTEM</div> <div style="width: 60%;"></div> </div>															
		DURAPULL™															
ARM STYLE	STEEL ARM (2-PIECE ARM)	<div style="display: flex; justify-content: space-between;"> <div style="width: 40%;">5000X STEEL FLIP-TARP SYSTEM</div> <div style="width: 60%;">Flat Coil Spring - 3 (30° Bend Arm)</div> </div>															
		HAMMER™ II Flat Coil Spring - 5 (Straight Arm & 30° Bend Arm)															
	ALUM. ARM (2-PIECE ARM)	<div style="display: flex; justify-content: space-between;"> <div style="width: 40%;">BULLET™</div> <div style="width: 60%;">Flat Coil Spring - 4 (Straight Arm & 30° Bend Arm) 22-Coil Spring (Straight Arm & 30° Bend Arm)</div> </div>															
		22-Coil Spring (Straight Arm)															
		<div style="display: flex; justify-content: space-between;"> <div style="width: 40%;">Flash</div> <div style="width: 60%;">Flat Coil Spring - 5 (Straight Arm & 30° Bend Arm) 22-Coil Spring (Straight Arm & 30° Bend Arm)</div> </div>															
		22-Coil Spring (Straight Arm) 14-Coil Spring (Straight Arm)															
ALUMINIUM ARM (2-PIECE ARM)	<div style="display: flex; justify-content: space-between;"> <div style="width: 40%;">ARM-MATIC™</div> <div style="width: 60%;">Flat Coil Spring - 4 (30° Bend - 12') 15-Coil Spring (30° Bend - 14')</div> </div>																
	Flat Coil Spring - 5 (30° Bend - 14') 15-Coil Spring (Straight Arm - 20')																

SPRINGS



**EXTERNAL MOUNT
FLAT COIL SPRING**
(3, 4 & 5 Springs Per Side)



**UNDERBODY TORSION
15-COIL TORSION SPRING**



**UNDERBODY TORSION
22-COIL TORSION SPRING**



**UNDERBODY TORSION
14-COIL TORSION SPRING**

ARMS



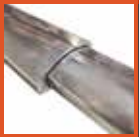
**5000X
GALVANIZED STEEL
2-PIECE**



**HAMMER™ II
BLACK POWDER COATED STEEL
2-PIECE**



**ARM-MATIC™/FLASH™
HIGH-GLOSS ALUMINUM
1-PIECE**



**BULLET™
HIGH-GLOSS ALUMINUM
2-PIECE**

MOTORS



**DURABUILT™
12V, 600 WATT
90:1 GEAR RATIO**



**DURABUILT™
12V, 900 WATT
90:1 GEAR RATIO**

UT TARP SYSTEM™ - Pull Tarp System



STANDARD FEATURES

- "Tarp-Locking" Crank Handle
- Molded HDPE End Caps
- 3-Piece Adjustable Width Aluminum Roller Bar
- Heavy-Duty Bearings
- Adjustable Width from 86" to 104"
- Tension Ratchet
- Pull Bar Kits Sold Separately; See Additional Options
- Tarps Sold Separately; See Page 19-21



FITS BOXES & TRAILERS - UP TO 23'

Complete system part numbers with options.

PART NO.	KIT NAME	BOX WIDTH	FEATURES	SHIP WT.†
1809414	UT Tarp System™	86" to 104"	w/Crank Locking Sprocket	22 lbs
1809905	UT Tarp System™ w/Mounting Plates	86" to 104"	w/Crank Locking Sprocket	22 lbs
1809934	UT Tarp System™ w/3-Pc. Pull Bar	86" to 104"	w/Crank Locking Sprocket	22 lbs
1809935	UT Tarp System™ w/3-Pc. Pull Bar & Mounting Plates	86" to 104"	w/Crank Locking Sprocket	22 lbs

†Shipping weights include packaging, but does not include weight of pallets or crates.

ADDITIONAL TARP SYSTEM OPTIONS*

PART NO.	DESCRIPTION	FEATURES
1809846	1-Piece Pull Bar Kit w/Hardware	Cannot Ship UPS
1809829	3-Piece Pull Bar Kit w/Hardware	Ships UPS Standard Rate
1809784	Mounting Plate Kit w/Hardware	For Trailers & Bodies that DO NOT have Pre-Fab Mounting Holes for Tarp System

*Additional options may not be available for all applications.



QR Code
Scan for
Additional
Product
Information



2000SR - Pull Tarp System



STANDARD FEATURES

- Tarp Spool with Side Plates
- Adjustable-Width Steel Housing - Standard for P/N 1800047
- Aluminum Pull Bar
- Armless Spring Return
- Adjustable-Width Roller Bar - 84" - 96"
- External Spring Tension Adjustment
- Tarps Sold Separately; See Page 19-21
- Replacement Parts; See Page 23-24

2000SR

PULL-STYLE TARP SYSTEM

FITS BOXES & TRAILERS - UP TO 23'

Complete system part numbers with options.

PART NO.	KIT NAME	FEATURES	SHIP WT.†
1800047	2000SR	Adjustable-Width Steel Housing	110 lbs
1800502	2000SR-No Housing	Housing NOT Included	64 lbs

†Shipping weights include packaging, but does not include weight of pallets or crates.



QR Code
Scan for
Additional
Product
Information



DURAPULL™ - Pull Tarp System



STANDARD FEATURES

- 12-Gauge Galvanized Steel Housing
- Spring-Loaded Tarp Spool
- Steel Mounting Strip - Standard w/Steel Weldable Kits
- Aluminum Mounting Strip - Standard w/Aluminum Weldable Kits
- Standard Tarp Guide
- Tension Ratchet
- Tarps Sold Separately; See Page 19-21
- Replacement Parts; See Page 25-26



FITS BOXES & TRAILERS - UP TO 23'

Complete system part numbers with options.

PART NO.	KIT NAME	BOX WIDTH	FEATURES	SHIP WT.†
1125632	DuraPull™	80"	Steel Housing/Steel Mounting Strip	122 lbs
1125634	DuraPull™	84"	Steel Housing/Steel Mounting Strip	122 lbs
1125636	DuraPull™	88"	Steel Housing/Steel Mounting Strip	122 lbs
1126645	DuraPull™	90"	Steel Housing/Steel Mounting Strip	125 lbs
1125638	DuraPull™	92"	Steel Housing/Steel Mounting Strip	128 lbs
1125640	DuraPull™	96"	Steel Housing/Steel Mounting Strip	132 lbs
1125642	DuraPull™	102"	Steel Housing/Steel Mounting Strip	135 lbs
1125633	DuraPull™	80"	Steel Housing/Aluminum Mounting Strip	122 lbs
1125635	DuraPull™	84"	Steel Housing/Aluminum Mounting Strip	122 lbs
1125637	DuraPull™	88"	Steel Housing/Aluminum Mounting Strip	122 lbs
1126646	DuraPull™	90"	Steel Housing/Aluminum Mounting Strip	125 lbs
1125639	DuraPull™	92"	Steel Housing/Aluminum Mounting Strip	128 lbs
1125641	DuraPull™	96"	Steel Housing/Aluminum Mounting Strip	132 lbs
1125643	DuraPull™	102"	Steel Housing/Aluminum Mounting Strip	135 lbs

†Shipping weights include packaging, but does not include weight of pallets or crates.



QR Code
Scan for
Additional
Product
Information



5000X - Economy Galvanized Steel Arm System



STANDARD FEATURES

- Tarp Spool with Side Plates
- Steel Roller Bar
- 1-1/4" Square Arms - 2-Piece Galvanized
- High-Mount Compatible
- Cab-Level Crank - Standard for P/N 1803906
- Ground-Level Crank - Standard for P/N 1803902
- Durabuilt™ Motor - Standard for P/N 1803895
- Tarps Sold Separately; See Page 19-21
- Replacement Parts; See Page 27-35

5000x
STEEL FLIP-TARP SYSTEM

FITS BOXES & TRAILERS - UP TO 16'

Complete system part numbers with options.

PART NO.	KIT NAME	ARMS	DRIVE	SPRINGS	ELECTRICS	SHIP WT.†
1803906	5000XCL	Galvanized	Cab Level	Flat Coil - 3	N/A	140 lbs
1803902	5000XGL	Galvanized	Ground Level	Flat Coil - 3	N/A	145 lbs
1803895	5000XEL	Galvanized	Electric	Flat Coil - 3	Rotary Switch	165 lbs
1810277	5000XEL - Rocker	Galvanized	Electric	Flat Coil - 3	Rocker Switch	165 lbs

†Shipping weights include packaging, but does not include weight of pallets or crates.

ADDITIONAL TARP SYSTEM OPTIONS*

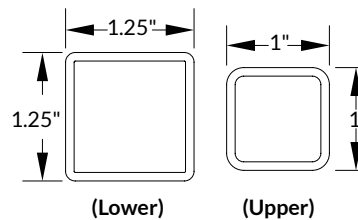
PART NO.	DESCRIPTION
1128260	Spring Trap II Hold-Down Kit
1800036	Chain Guard (For 5000 GL Kit)
1801490	Tarp Trap Hold-Down Kit
1801943	Steel Wind Deflector - 2 Pc.
1802008	Steel Heavy-Duty Arm Rest Kit
1802081	Medium-Duty Arm Rest Kit

*Additional options may not be available for all applications.



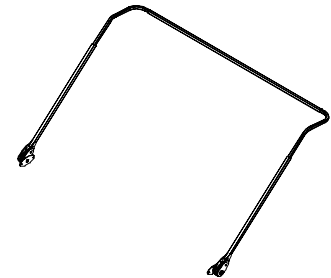
QR Code
Scan for
Additional
Product
Information

ARM PROFILES



REPLACEMENT ARM (HOOP) KITS

2-PIECE STEEL ARM REPLACEMENT KITS
P/N 1808764



REPLACEMENT ARM PARTS

- P/N 1800240 - Pivot Arm Right Side
- P/N 1800241 - Pivot Arm Left Side
- P/N 1800242 - Painted Upper Bent Arm Right Side
- P/N 1800243 - Painted Upper Bent Arm Left Side



HAMMER™ II - Steel Arm System



STANDARD FEATURES

- Tarp Spool with Side Plates
- Extruded Aluminum Roller Bar
- 1.69" Round Arms - 2-Piece Black Powder Coat
- High-Mount Compatible
- HD Ground-Level Crank with Chain Guard
- Standard on P/N 1809574 & 1809578
- Durabuilt™ Motor - Standard on Electric Systems
- Tarps Sold Separately; See Page 19-21
- Replacement Parts; See Page 36-37



FITS BOXES & TRAILERS - UP TO 23'

Complete system part numbers with options.

PART NO.	KIT NAME	ARMS	DRIVE	SPRINGS	ELECTRICS	SHIP WT.†
1809574	Hammer™ II GL	Straight	Ground Level	Flat Coil - 5	N/A	200 lbs
1809578	Hammer™ II GL 30°	30° Bend	Ground Level	Flat Coil - 5	N/A	200 lbs
1809555	Hammer™ II	Straight	Electric	Flat Coil - 5	Rotary Switch	200 lbs
1809556	Hammer™ II 30°	30° Bend	Electric	Flat Coil - 5	Rotary Switch	200 lbs
1810278	Hammer™ II - Rocker	Straight	Electric	Flat Coil - 5	Rocker Switch	200 lbs
1809556	Hammer™ II 30° - Rocker	30° Bend	Electric	Flat Coil - 5	Rocker Switch	200 lbs

†Shipping weights include packaging, but does not include weight of pallets or crates.

ADDITIONAL TARP SYSTEM OPTIONS*

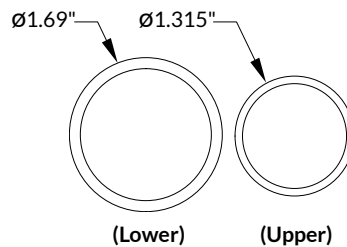
PART NO.	DESCRIPTION
1128260	Spring Trap II Hold-Down Kit
1800639	Chain Guard (For Hammer™ II GL Kits)
1801490	Tarp Trap Hold Down Kit
1802008	Steel Heavy-Duty Arm Rest Kit
1802081	Medium-Duty Arm Rest Kit
1809571	Steel Wind Deflector - 2 Pc.

*Additional options may not be available for all applications.



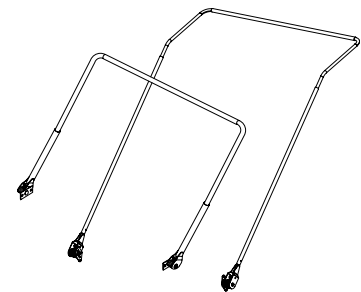
QR Code
Scan for
Additional
Product
Information

ARM PROFILES



REPLACEMENT ARM (HOOP) KITS

2-PIECE STEEL ARM REPLACEMENT KITS
P/N 1809557 (Straight Hammer™ II Kit)
P/N 1809558 (30° Bend Hammer™ II Kit)



BULLET™ - Aluminum Arm System



STANDARD FEATURES

- Extruded Aluminum Roller Bar with Side Plates
- Polished Aluminum 2-Piece Adjustable Pivot Arms
- Durabuilt™ Motor with 3-Year Warranty
- High-Mount Compatible - Up to 23' Only
- 30° Bend Upper Arms Commonly Used w/Raised Cab Guard Bodies to Reduce Risk of Arm Damage During Loading
- Tarps Sold Separately; See Page 19-21
- Replacement Parts; See Page 38



FITS BOXES & TRAILERS - UP TO 23'

Complete system part numbers with options.

PART NO.	KIT NAME	ARMS	DRIVE	SPRINGS	ELECTRICS	SHIP WT.†
1800987	Bullet™	Straight	Electric	Flat Coil - 4	Rotary Switch	150 lbs
1801974	Bullet™ 30°	30° Bend	Electric	Flat Coil - 4	Rotary Switch	150 lbs
1810280	Bullet™ - Rocker	Straight	Electric	Flat Coil - 4	Rocker Switch	150 lbs
1810281	Bullet™ 30° - Rocker	30° Bend	Electric	Flat Coil - 4	Rocker Switch	150 lbs

FITS BOXES & TRAILERS - UP TO 38'

Complete system part numbers with options.

PART NO.	KIT NAME	ARMS	DRIVE	SPRINGS	ELECTRICS	SHIP WT.†
1801010	Trailer Bullet™ Underbody	Straight	Electric	22-Coil UB Torsion	Rotary Switch	245 lbs
1810290	Trailer Bullet™ Underbody - Rocker	Straight	Electric	22-Coil UB Torsion	Rocker Switch	245 lbs

†Shipping weights include packaging, but does not include weight of pallets or crates.

ADDITIONAL TARP SYSTEM OPTIONS*

PART NO.	DESCRIPTION
1125250	Arm-Lok™ Kit - For Trucks
1125800	Arm-Lok™ Kit - For Trailers
1128260	Spring Trap II Hold-Down Kit
1801490	Tarp Trap Hold-Down Kit
1801919	Aluminum Wind Deflector - 1 Pc.
1801999	Aluminum Arm Rest Kit

*Additional options may not be available for all applications.

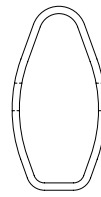


QR Code
Scan for
Additional
Product
Information

ARM PROFILES



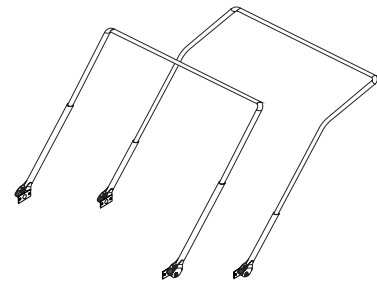
(Lower)



(Upper)

REPLACEMENT ARM (HOOP) KITS

2-PIECE STEEL ARM REPLACEMENT KITS
P/N 1801595 (Straight Bullet™ Kit)
P/N 1805259 (30° Bend Bullet™ Kit)



FLASH™ - High-Gloss Aluminum Pivot Arm System



STANDARD FEATURES

- Extruded Aluminum Roller Bar with Side Plates
- Aluminum High-Gloss Pivot Arms
- Durabuilt™ Motor with 3-Year Warranty
- Assembled Housings - Std. for 38' and 41' Kits
- High-Mount Compatible - Up to 23' Only
- Tarps Sold Separately; See Pages 19-21
- Replacement Parts; See Page 39-43
- Arm Profiles; See Page 18

QR Code
Scan for Additional
Product Information



Flash™

FITS BOXES & TRAILERS - UP TO 23'

Complete system part numbers with options.

PART NO.	KIT NAME	ARMS	DRIVE	SPRINGS	WIRE	ELECTRICS	SHIP WT.†
1801927	Flash™	Straight	Electric	Flat Coil - 5	60'	Rotary Switch	225 lbs
1801945	Flash™	30° Bend	Electric	Flat Coil - 5	60'	Rotary Switch	225 lbs
1800427	Flash™ Underbody	Straight	Electric	22-Coil UB Torsion	60'	Rotary Switch	230 lbs
1800495	Flash™ Underbody	30° Bend	Electric	22-Coil UB Torsion	60'	Rotary Switch	230 lbs
1810282	Flash™ - Rocker	Straight	Electric	5-Spring Steel	60'	Rocker Switch	225 lbs
1810283	Flash™ 30° - Rocker	30° Bend	Electric	5-Spring Steel	60'	Rocker Switch	225 lbs
1810284	Flash™ Underbody - Rocker	Straight	Electric	22-Coil UB Torsion	60'	Rocker Switch	230 lbs
1810285	Flash™ Underbody 30° - Rocker	30° Bend	Electric	22-Coil UB Torsion	60'	Rocker Switch	230 lbs

FITS BOXES & TRAILERS - UP TO 38'

Complete system part numbers with options.

PART NO.	KIT NAME	WIDTH	ARMS	DRIVE	SPRINGS	WIRE	ELECTRICS	SHIP WT.†
1800318	Flash™ 38 Underbody*	96"	Straight	Electric	22-Coil UB Torsion	25' w/Contact Plate	Rotary Switch	250 lbs
1803942	Flash™ 38 Underbody*	102"	Straight	Electric	22-Coil UB Torsion	25' w/Contact Plate	Rotary Switch	255 lbs
1810286	Flash™ 38 Underbody* - Rocker	96"	Straight	Electric	22-Coil UB Torsion	25' w/Contact Plate	Rocker Switch	250 lbs
1810287	Flash™ 38 Underbody* - Rocker	102"	Straight	Electric	22-Coil UB Torsion	25' w/Contact Plate	Rocker Switch	255 lbs

FITS TRAILERS - 38' - 41'

Complete system part numbers with options.

PART NO.	KIT NAME	WIDTH	ARMS	DRIVE	SPRINGS	WIRE	ELECTRICS	SHIP WT.†
1801534	Flash™ 41 Underbody**	96'	Straight	Electric	14-Coil UB Torsion	25' w/Contact Plate	Rotary Switch	260 lbs
1808911	Flash™ 41 Underbody**	102'	Straight	Electric	14-Coil UB Torsion	25' w/Contact Plate	Rotary Switch	260 lbs
1810288	Flash™ 41 Underbody** - Rocker	96'	Straight	Electric	14-Coil UB Torsion	25' w/Contact Plate	Rocker Switch	260 lbs
1810289	Flash™ 41 Underbody** - Rocker	102'	Straight	Electric	14-Coil UB Torsion	25' w/Contact Plate	Rocker Switch	260 lbs

*Previously known as Long Arm

**Previously known as Long Arm 41

†Shipping weights include packaging, but does not include weight of pallets or crates.

ADDITIONAL TARP SYSTEM OPTIONS*

PART NO.	DESCRIPTION	PART NO.	DESCRIPTION	PART NO.	DESCRIPTION
1125250	Arm-Lok™ - For Trucks	1801377	Dual Pole Conductor Plug Kit	1801999	Aluminum Arm Rest Kit
1125800	Arm-Lok™ - For Trailers	1801490	Tarp Trap Hold-Down Kit	1808506	Straight Tension Arm
1128260	Spring Trap II Hold-Down Kit	1801919	Aluminum Wind Deflector - 1 Pc.	1808507	30° Bend Tension Arm

*Additional options may not be available for all applications.

ARM-MATIC™ - High-Gloss Aluminum Pivot Arm System



STANDARD FEATURES

- For Dump Bodies and Belly Dumps Only
- Tarp Spool with Side Plates
- Galvanized Steel Crossover Bar - 1 Piece
- Aluminum High-Gloss Pivot Arms
- Durabuilt™ Motor with 3-Year Warranty
- Rocker Switch
- High-Mount Compatible - Up to 23' Only
- Tarps Sold Separately; See Page 19-21
- Replacement Parts; See Page 44-53



FITS DUMP BODIES - 18'

Complete system part numbers with options.

PART NO.	KIT NAME	WIDTH	ARMS	SPRINGS	WIRE	ELECTRICS	SHIP WT.†
1125819	Arm-Matic™	Up to 102"	30° Bend - 12'	4-Spring External	50'	Rocker Switch	145 lbs

FITS DUMP BODIES - UP TO 24'

Complete system part numbers with options.

PART NO.	KIT NAME	WIDTH	ARMS	SPRINGS	WIRE	ELECTRICS	SHIP WT.†
1125820	Arm-Matic™	Up to 102"	30° Bend - 14'	5-Spring External	75'	Rocker Switch	108 lbs

FITS BELLY DUMPS - 18'

Complete system part numbers with options.

PART NO.	KIT NAME	WIDTH	ARMS	SPRINGS	WIRE	ELECTRICS	SHIP WT.†
1125821	Arm-Matic™	Up to 102"	30° Bend - 12'	4-Spring External	50'	Rocker Switch	165 lbs

†Shipping weights include packaging, but does not include weight of pallets or crates.

ADDITIONAL TARP SYSTEM OPTIONS*

PART NO.	DESCRIPTION
1119750	Tarp Roller Guide
1120131	Tension Arm - 14' (Fits 19' to 24' Box)
1125250	Arm-Lok™ Kit - For Trucks
1125800	Arm-Lok™ Kit - For Trailers
1127025	Aluminum Wind Deflector - 1 Pc.

*Additional options may not be available for all applications.



QR Code
Scan for
Additional
Product
Information



ARM-MATIC™ - High-Gloss Aluminum Pivot Arm System



STANDARD FEATURES

- For End Dumps Only
- Tarp Spool with Aluminum Housing - 98" and 104"
- Tarp Spool Braces for Housing
- Galvanized Steel Crossover Bar - 2 Piece
- Aluminum 1-Piece High-Gloss Pivot Arms
- Durabuilt™ Motor with 3-Year Warranty
- Rocker Switch
- Tarps Sold Separately; See Page 19-21
- Replacement Parts; See Page 44-53



FITS END DUMPS - 24'

Complete system part numbers with options.

PART NO.	KIT NAME	WIDTH	ARMS	SPRINGS	WIRE	ELECTRICS	SHIP WT.†
1125827	Arm-Matic™ Underrail	96"	30° Bend - 14'	Underrail Torsion	75'	Rocker Switch	115 lbs
1125828	Arm-Matic™ Underrail	102"	30° Bend - 14'	Underrail Torsion	75'	Rocker Switch	115 lbs

FITS END DUMPS - 37'

Complete system part numbers with options.

PART NO.	KIT NAME	WIDTH	ARMS	SPRINGS	WIRE	ELECTRICS	SHIP WT.†
1125831	Arm-Matic™ 37 Underrail	96"	Straight 20'	Underrail Torsion	100'	Rocker Switch	210 lbs
1125832	Arm-Matic™ 37 Underrail	102"	Straight 20'	Underrail Torsion	100'	Rocker Switch	215 lbs

†Shipping weights include packaging, but does not include weight of pallets or crates.

ADDITIONAL TARP SYSTEM OPTIONS*

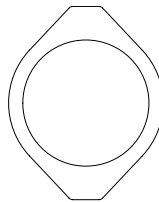
PART NO.	DESCRIPTION
1125800	Arm-Lok™ Kit - For Trailers

*Additional options may not be available for all applications.



QR Code
Scan for
Additional
Product
Information

ARM PROFILES



Note: Profile shown represents Flash™ and Arm-Matic™ systems. Also, directly replaces most Mountain Tarp aluminum arms.

REPLACEMENT ARM (HOOP) KITS

1-PIECE ALUMINUM ARM REPLACEMENT KITS

- P/N 1801075 (Straight Flash™ Kit)
- P/N 1801076 (30° Bend Flash™ Kit)
- P/N 1125316 (2' Bend Arm-Matic™ Kit - 10')
- P/N 1125317 (2' Bend Arm-Matic™ Kit - 12')



OPTIONS & ACCESSORIES

DURABUILTTM DIRECT DRIVE MOTOR

THE INDUSTRY'S BEST-BUILT MOTORS!

Universal Tarp Motors

Five Mounting Holes

Fits All Competitor Mounting Plates

Extended Output Shaft

Features Two-Roller Bar Attachment Hole
To Fit Any Brand Tarp System

- 90:1 Gear Ratio Provides Extra Torque
- 100% Sealed Motor And Gear Casings
 - Solid Vase End Bell
 - 100% Quality Control Tested
 - Replaces All Competitor Motors
- Fits All Competitor Front-To-Rear Systems
 - 3-Year Motor Warranty



*NOT TO SCALE

All Motors Come With
A Chrome Motor Cover



P/N 1704878

- 12 Volt, 900 Watt
- 3-Year Warranty
- Trailer Applications
 - High-Mount Pivot Mount



P/N 1800716

- 24 Volt, 900 Watt
- 3-Year Warranty
- Trailer Applications
 - High-Mount Pivot Mount



P/N 1802061

- 12 Volt, 600 Watt
- 3-Year Warranty
- Dump Body Applications
 - Standard Pivot Mount



P/N 1802066

- 12 Volt, 600 Watt
- 1-Year Warranty
- Dump Body Applications
 - Standard Pivot Mount

100% Quality Control Tested

Guaranteed Quality And Value

High-precision test equipment is used to characterize all motors, including competitor motors, at real work-load conditions. Date is automatically recorded and charted for quality control and brand comparison.

Characterization testing is followed immediately by life-cycle stand testing and field testing. After that, motors are disassembled and inspected to ensure Donovan® always provides the best motor at the best price.

Testing Parameters

Input Power

- Supply Voltage
- Current

Output Power

- Drive Shaft Speed (RPM)
- Torque

Durability

- Cyclic Testing
- Field Testing

Durabuilt™ Motor Warranty

Durabuilt™ motors 1704878, 1800716 and 1802061 are covered by a 3-year warranty. Durabuilt™ motor 1802066 is covered by a 1-year warranty.

Warranty void if motor or gearbox has been opened, tampered with, abused or misused. Customer is responsible for return shipping charges. Shur-Co®, LLC and the Donovan® brand is not responsible for labor or other charges relating to service or replacement of Durabuilt™ motors.

All Motors Have
Sequential Serial
Numbering And
Are Manufacturing
Date Stamped



OPTIONS & ACCESSORIES

SPRINGS



FLAT COIL SPRING
P/N 1800763
Used with: Arm-Matic™, Flash™, Hammer™ II, 5000X and Bullet™



14-COIL TORSION SPRING
P/N 1801442 - Left Side
P/N 1801438 - Right Side
Used with: Flash™ 41



15-COIL TORSION SPRING
P/N 1704476 - Left Side
P/N 1704477 - Right Side
Used with: Arm-Matic™



22-COIL TORSION SPRING
P/N 1800279 - Left Side
P/N 1800280 - Right Side
Used with: Flash™ 38



5/8" TORSION SPRING
P/N 1800086 - Left Side
P/N 1800101 - Right Side
Used with: 7800 Series Trailer Only



1/2" TORSION SPRING
P/N 1800148 - Left Side
P/N 1800057 - Right Side
Used with: 7000 Series



25" EXTENSION SPRING
P/N 1800037 - Side Mount
Used with: 5000 Series



12" EXTENSION SPRING
P/N 1800462 - Side Mount
Used with: 5000 Series UB

OPTIONS & ACCESSORIES

MANUAL OPERATION



5000 Series Crank Box/Assembly
P/N 1800088 - MD Ground-Level Assy.
(Up to 16' Body)



Hammer™ II Crank/Box Assembly
P/N 1800178 - HD Ground-Level Assy.
(Up to 38' Body)



CRANK CONVERSION KIT
P/N 1800049 - Ground-Level Kit



CHAIN GUARDS
P/N 1120465 - For Arm-Matic™
P/N 1800036 - For 5000 Series
MD Ground-Level
P/N 1800639 - For Hammer™ II
HD Ground-Level

ELECTRIC OPERATION



ROTARY SWITCH
P/N 1110551 - Switch Only



ROCKER SWITCH
P/N 1800602



SOLENOID
P/N 1703845 - Solenoid (12V)
P/N 1703896 - Solenoid Cover



ROTARY SWITCH KIT
P/N 1802076 - Switch Kit



DURABUILT™ SOLENOID KIT
P/N 1809047 - 12V Kit (8 Gauge)
P/N 1809927 - 12V Kit (6 & 8 Gauge)



DUAL POLE CONDUCTOR KIT
P/N 1109016 - Vertical Pin
P/N 1123050 - Horizontal Pin

OPTIONS & ACCESSORIES

LOCK/HOLD-DOWNS



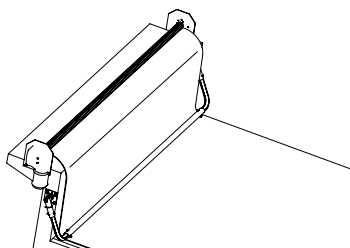
ARM-LOK™ KIT (PNEUMATIC)
P/N 1125250 - For Trucks
P/N 1125800 - For Trailers



ARM-MATIC™ TENSION ARM KIT
P/N 1120129 - For 10' Arms
P/N 1120130 - For 12' Arms
P/N 1120131 - For 14' Arms



FLASH™ TENSION ARM KIT
P/N 1808506 - For Straight Arm
P/N 1808507 - For Bend Arm

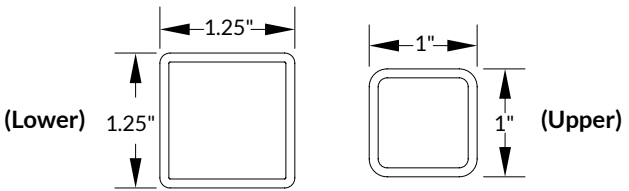
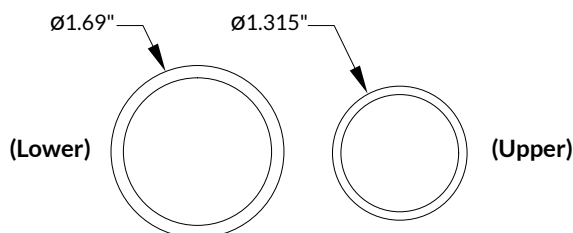
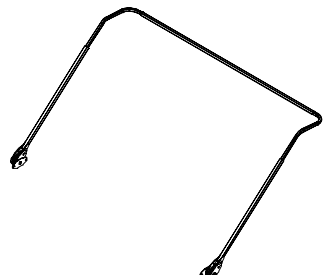
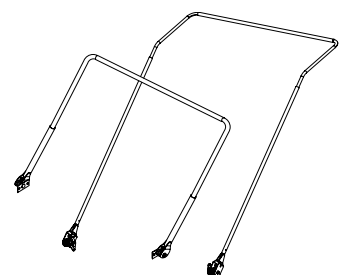
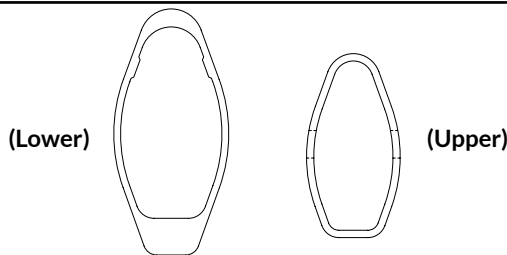
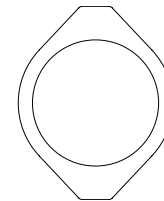
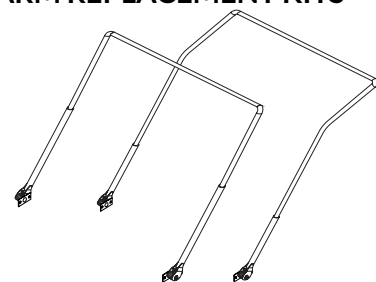
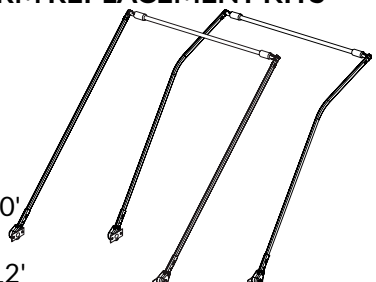


Spring Trap II Hold-Down Kit
P/N 1128260



Aluminum Arm Rest Kit
P/N 1801999

OPTIONS & ACCESSORIES

<p style="writing-mode: vertical-rl; transform: rotate(180deg);">ARM PROFILES</p>	<p>5000X</p> 	<p>HAMMER™ II</p> 
<p style="writing-mode: vertical-rl; transform: rotate(180deg);">REPLACEMENT ARM PARTS</p>	<p>P/N 1800240 - Pivot Arm Right Side P/N 1800241 - Pivot Arm Left Side P/N 1800242 - Painted Upper Bent Arm Right Side P/N 1800243 - Painted Upper Bent Arm Left Side</p>	<p>P/N 1809557 - Arm and Spring Kit - Straight P/N 1809558 - Arm and Spring Kit - 30° Bend P/N 1809407 - Lower Arm P/N 1809408 - Upper Arm - Straight P/N 1809553 - Upper Arm - 30° Bend - Left Side P/N 1809554 - Upper Arm - 30° Bend - Right Side</p>
<p style="writing-mode: vertical-rl; transform: rotate(180deg);">REPLACEMENT ARM (HOOP) KITS</p>	<p>2-PIECE STEEL ARM REPLACEMENT KITS P/N 1808764 5000X Kit</p> 	<p>2-PIECE STEEL ARM REPLACEMENT KITS P/N 1809557 Straight Hammer™ II Kit P/N 1809558 30° Bend Hammer™ II Kit</p> 
<p style="writing-mode: vertical-rl; transform: rotate(180deg);">ARM PROFILES</p>	<p>BULLET™</p> 	<p>FLASH™ & ARM-MATIC™</p>  <p>Note: Directly replaces most Mountain Tarp aluminum arms.</p>
<p style="writing-mode: vertical-rl; transform: rotate(180deg);">REPLACEMENT ARM PARTS</p>	<p>P/N 1801188 - Upper Arm w/Elbow - Left Side P/N 1801189 - Upper Arm w/Elbow - Right Side P/N 1801205 - Upper Arm Extrusion Only P/N 1801176 - Bullet™ Pivot Arm Lower P/N 1800333 - Upper Arm 30° Bend w/Elbow - Left Side P/N 1800334 - Upper Arm 30° Bend w/Elbow - Right Side</p>	<p>P/N 1800421 - Flash™ Arm - 150" P/N 1800504 - Flash™ Arm 30° Bend - 150" P/N 1125316 - Arm-Matic™ Arm and Spring w/2' Bend - 10' P/N 1125317 - Arm-Matic™ Arm and Spring w/2' Bend - 12'</p>
<p style="writing-mode: vertical-rl; transform: rotate(180deg);">REPLACEMENT ARM (HOOP) KITS</p>	<p>2-PIECE ALUMINUM ARM REPLACEMENT KITS P/N 1801595 Straight Bullet™ Kit P/N 1805259 30° Bend Bullet™ Kit</p> 	<p>1-PIECE ALUMINUM ARM REPLACEMENT KITS P/N 1801075 Straight Flash™ Kit P/N 1801076 30° Bend Flash™ Kit P/N 1125316 2' Bend Arm-Matic™ Kit - 10' P/N 1125317 2' Bend Arm-Matic™ Kit - 12'</p> 

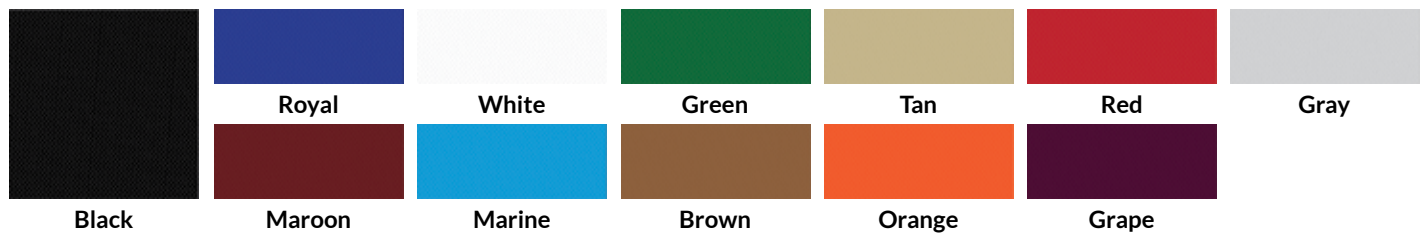
TARP OPTIONS

VINYL TARP MATERIALS

Donovan® offers tarp material options that meet our customers' needs. We regularly test fabrics for tear strength, abrasion resistance, coating adhesion, stitch and seam strength, cold flex and wind whip in order to create the most suitable covers for your applications.

Our vinyl tarps are engineered to meet and exceed Donovan's extensive performance criteria. The 18-oz. or 22-oz. PVC-coated high-tenacity polyester material will not rot, shrink or stretch and offers unparalleled adhesion (to reduce wind whip), color match and colorfastness. This is the best PVC-coated fabric we have ever worked with from anywhere in the world. We have used tens of millions of yards in multiple applications, and it outperforms all others. These covers are also constructed with heat-welded seams in the main body of the cover for a double thickness that creates a waterproof environment for your trucks and trailers.

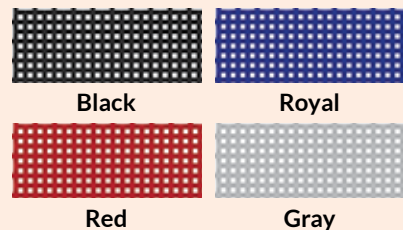
Standard Color: **Premium Colors:** (Includes a 15% upcharge)



Note: Our fabric is the most consistent in color year to year, roll to roll and cover to cover. We do not guarantee exact color match from cover to cover. (Occasional sheen variation can create the appearance that color varies ever so slightly.) The above colors may not reflect the exact tarp color.

MESH TARP MATERIALS

Standard Mesh:



- Durable lightweight fabric offers good air circulation
- Secure containment
- Available in 14-oz. material

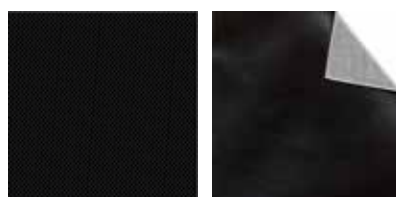
Specialty Mesh:



- Strongest truck tarp material available today
- Heavy-duty mesh for dump truck & trailer applications
- Industry standard truck tarp material
- Designed specially for Hy-Tower™
- Rip resistant
- 70% shade
- Good for cold-weather applications

ASPHALT TARP MATERIALS

Waterproof:



- 13 colors available, see vinyl materials section for complete list of colors
- Half the weight of vinyl materials

Water Resistant:



- Lighter than vinyl materials
- Designed to handle heat up to 350°
- Lighter than vinyl materials
- Good for warm & cold air
- Tough to tear
- Good for cold weather

TARP OPTIONS

HD MESH

PART NO.	SIZE
1809810	54" x 10'
1808621	59-1/2" x 10'
1808721	59-1/2" x 14'
1809764	59-1/2" x 16'
1809811	60" x 12'
1809812	60" x 14'
1809813	64" x 10'
1809814	64" x 12'
1809815	66" x 14'
1809816	72" x 14'
1809037	76" x 14'
1809038	76" x 16'
1809039	76" x 18'
1809040	76" x 20'
1809041	76" x 22'
1809042	76" x 24'
1808622	76-1/2" x 12'
1809765	76-1/2" x 18'
1809817	78" x 15'
1809818	78" x 18'
1809819	80" x 14'
1809820	80" x 16'
1809766	81.5" x 20'
1800141	84" x 10'
1801280	84" x 12'
1801281	84" x 14'
1801282	84" x 16'
1801283	84" x 18'
1801284	84" x 20'
1801459	84" x 22'
1801429	84" x 24'
1801460	84" x 26'
1801578	84" x 28'
1801577	84" x 30'
1800142	84" x 32'
1802132	84" x 34'
1802286	84" x 36'
1802936	84" x 38'
1802365	84" x 40'
1802369	84" x 42'
1803029	84" x 44'
1800000	90" x 10'
1800001	90" x 12'
1800002	90" x 14'
1800003	90" x 16'
1800004	90" x 18'
1800005	90" x 20'
1800006	90" x 22'
1800007	90" x 24'
1800008	90" x 26'
1800652	90" x 28'
1800009	90" x 30'
1800010	90" x 32'
1802163	90" x 34'

HD MESH (CONT.)

PART NO.	SIZE
1802100	90" x 36'
1808617	90" x 38'
1808618	90" x 40'
1803546	90" x 42'
1802853	90" x 44'
1809763	95-1/2" x 24'
1809821	96" x 18'
1809822	96" x 22'

MIGHTY MESH®

PART NO.	SIZE
1802185	84" x 12'
1802262	84" x 14'
1802220	84" x 16'
1802209	84" x 18'
1802139	84" x 20'
1802214	84" x 22'
1802215	84" x 24'
1802830	84" x 26'
1802431	84" x 28'
1802318	90" x 12'
1802287	90" x 14'
1802179	90" x 16'
1803769	90" x 18'
1803792	90" x 20'
1803761	90" x 22'
1802208	90" x 24'
1802238	90" x 26'
1803789	90" x 28'

MULTI-COLORED PVC MESH

PART NO.	SIZE
1801731	84" x 12'
1801732	84" x 14'
1801733	84" x 16'
1801734	84" x 18'
1801735	84" x 20'
1801736	84" x 22'
1801737	84" x 24'
1801738	84" x 26'
1801739	84" x 28'
1801740	84" x 30'
1801741	90" x 10'
1801742	90" x 12'
1801743	90" x 14'
1801744	90" x 16'
1801745	90" x 18'
1801746	90" x 20'
1801747	90" x 22'
1801748	90" x 24'
1801749	90" x 26'
1801750	90" x 28'
1801751	90" x 30'
1801752	90" x 32'
1801753	90" x 34'
1801754	90" x 36'
1801755	90" x 38'
1801756	90" x 40'

NOTE: Additional fabrics available: Gator Mesh (trampoline fabric), 70% knitted mesh and HD knitted polyester.

NOTE: When selecting tarp length, add at least 2' to the length of the body being covered.

LUMITE (ASPHALT)

PART NO.	SIZE
1800562	84" x 12'
1800563	84" x 14'
1800564	84" x 16'
1800565	84" x 18'
1800566	84" x 20'
1800567	84" x 22'
1800568	84" x 24'
1800569	84" x 26'
1800143	90" x 10'
1800074	90" x 12'
1800075	90" x 14'
1800076	90" x 16'
1800077	90" x 18'
1800078	90" x 20'
1800079	90" x 22'
1801580	90" x 24'
1801581	90" x 26'



STANDARD TARP FEATURES

- Double-Folded Hem
- Grommets Every 4'
- 6" Pocket
- Spline Sewn into Front Hem
- 2" Webbing Sewn over Side Hems
- Standard on HD Mesh Tarps



QR Code
Scan for Additional
Product Information

TARP OPTIONS

18-OZ. VINYL (ASPHALT)

PART NO.	SIZE
1800522	84" x 10'
1800523	84" x 12'
1800524	84" x 14'
1800525	84" x 16'
1800526	84" x 18'
1800527	84" x 20'
1800528	84" x 22'
1800529	84" x 24'
1800530	84" x 26'
1800256	90" x 10'
1800257	90" x 12'
1800258	90" x 14'
1800259	90" x 16'
1800260	90" x 18'
1800261	90" x 20'
1800262	90" x 22'
1800263	90" x 24'
1800264	90" x 26'

18-OZ. VINYL W/SIDE FLAPS (ASPHALT)

PART NO.	SIZE
1801607*	108" x 16'
1801608*	108" x 18'
1801609*	108" x 20'
1801610*	108" x 22'
1801606*	114" x 16'
1801022*	114" x 18'
1801023*	114" x 20'
1801611*	114" x 22'

*Includes shock cord.

Donoprene W/SIDE FLAPS (ASPHALT)

PART NO.	SIZE
1810291*	108" x 16'
1810292*	108" x 18'
1810293*	108" x 20'
1810294*	108" x 22'
1810295*	114" x 16'
1810296*	114" x 18'
1810297*	114" x 20'
1810298*	114" x 22'

*Non stocked tarp, expect 7 day lead time.

Donoprene (ASPHALT)

PART NO.	SIZE
1810238	84" x 10'
1810239	84" x 12'
1810240	84" x 14'
1810241	84" x 16'
1810242	84" x 18'
1810243	84" x 20'
1810244	84" x 22'
1810245	84" x 24'
1810246	84" x 26'
1810247	90" x 10'
1810248	90" x 12'
1810249	90" x 14'
1810250	90" x 16'
1810251	90" x 18'
1810252	90" x 20'
1810253	90" x 22'
1810254	90" x 24'
1810255	90" x 26'

NOTE: Additional asphalt-hauling fabrics available: RFL, urethane-coated airbag and 22-oz. vinyl.

NOTE: When selecting tarp length, add at least 2' to the length of the body being covered.

TARP REPAIR SUPPLIES

ITEM	PART NO.	DESCRIPTION
	1108059	Professional Tarp Repair Kit
	1102111	Standard Tarp Repair Kit
	1801724	Vinyl Patch Kit
	1703251	Handi Grommet Kit w/Grommets
1	1701391	Wooden Roller
2	1111869	2" x 3" Patch w/Radius Corners
3	1111870	3" x 4" Patch w/Radius Corners
4	1111871	4" x 5" Patch w/Radius Corners
5	1111872	3" Round Patch
6	1107371	Vinyl Tarp Remnant (specify color or may vary)
7	1700697	HH-66 Thinner - Pint
8	1700602	HH-66 Thinner - Gallon
9	1801723	HH-66 Vinyl Cement - Pint
10	1700355	HH-66 Vinyl Cement - Quart
11	1700354	HH-66 Vinyl Cement - Gallon
	1700673	#3 Brass Grommet (minimum order 25)

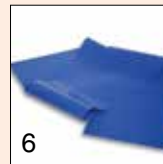
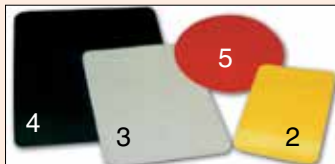
PROFESSIONAL KIT



STANDARD KIT



GROMMET KIT



RUBBER STRAPS

PART NO.	KIT NAME	CASE QTY.
1800050	15" Value Line Rubber Strap	50
1800051	21" Value Line Rubber Strap	50
1800052	31" Value Line Rubber Strap	50
1800063	41" Value Line Rubber Strap	50

REPLACEMENT PARTS - ARM & PULL SYSTEMS

PARTS INDEX

2000SR SYSTEM.....	23
DURAPULL™ SYSTEM.....	25
5000 SERIES SYSTEM.....	27
HAMMER™ II SYSTEM.....	36
BULLET™ SYSTEM.....	38
FLASH™ SYSTEM.....	39
ARM-MATIC™ SYSTEM.....	44
COMPETITOR CROSS REFERENCE.....	52

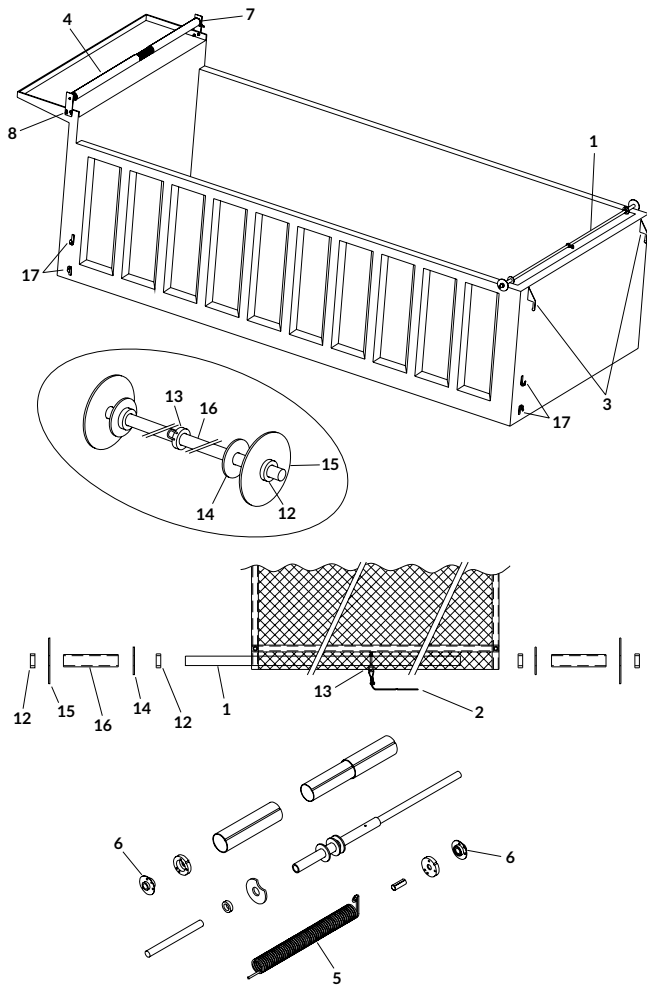
Donovan® replacement parts are proven to fit and function better. For quality performance, go with the name you can count on. Remember that not utilizing Donovan® parts voids your warranty. For your convenience, we also have a complete numerical listing of available Donovan® parts (call for details).

NOTE: All parts in this catalog may be subject to change or withdrawn from Donovan® inventory without notice. Any non-standard component requiring special engineering or manufacturing may be subject to an additional charge. Call for details.



REPLACEMENT PARTS - 2000SR

2000SR — w/o HOUSING



ITEM	PART NO.	DESCRIPTION
1	1800087	Aluminum Tube - 104" x .995"
2	1801351	Rope Assembly w/Snap - 1/2"
3	1800135	Tailgate Latch
4	1800033	Roller Bar Assembly
5	1800521	Spring - 1-7/8"
6	1800519	Flange Bearing - 3/4"
7	1800936	End Plate Assembly - Right Side [Includes 9; 10; 11; 12; 13]
8	1800940	End Plate Assembly - Left Side [Includes 9; 10; 11; 12; 13]
9	1800698*	Ratchet Spring
10	1800702*	Ratchet Spacer
11	1800917*	Ratchet Pawl w/Lever
	1800131	Pull Bar Hardware Bag [Includes 13; 2 of 14, 15 & 16; 4 of 17; 5 of 12]
	1800715	2000SR Hardware Bag
12	1800017	Shaft Collar - 1" OS
13	1800782	Eyebolt - 5/16" x 1-1/4"
14	1800030	Fender Washer - 1" ID x 3" OD
15	1801354	Fender Washer - 1" ID x 5" OD
16	1800779	PVC Roller - 1" x 6"
17	1800021	J-Hook - Steel
18	1800034*	Pull Bar Kit [Includes 1; 2; 13; 2 of 14, 15, 16, 4 of 17; 5 of 12]

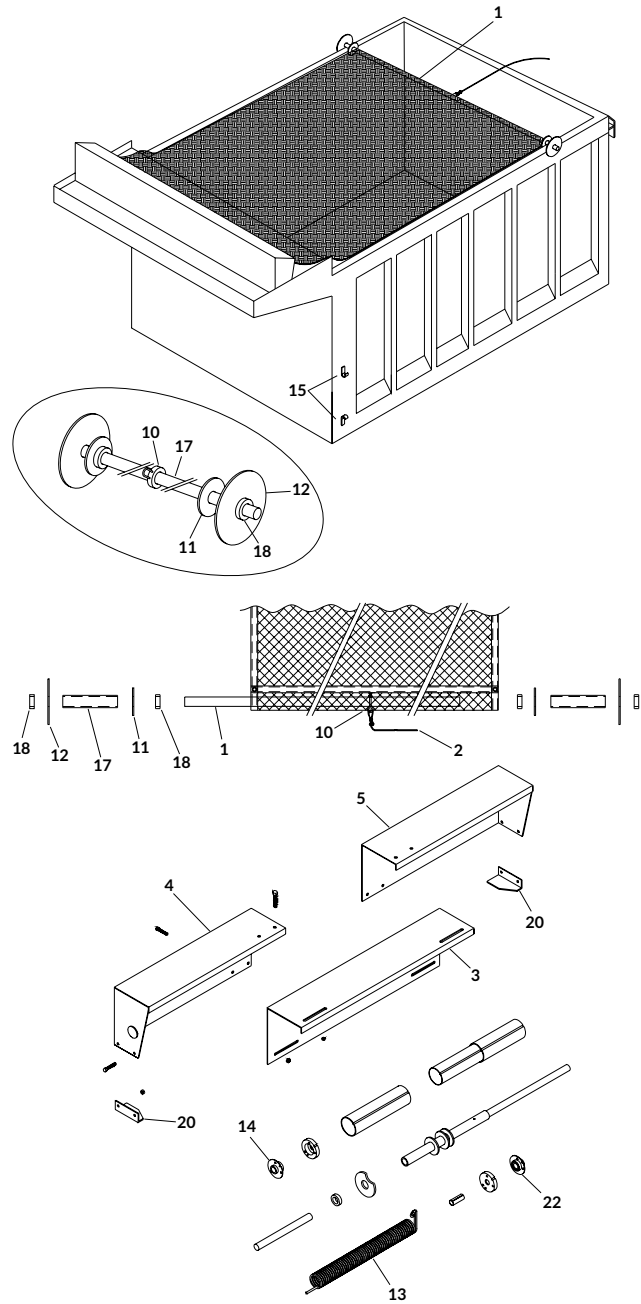
* These items are NOT shown in the drawing: numbered for future reference.

REPLACEMENT PARTS - 2000SR

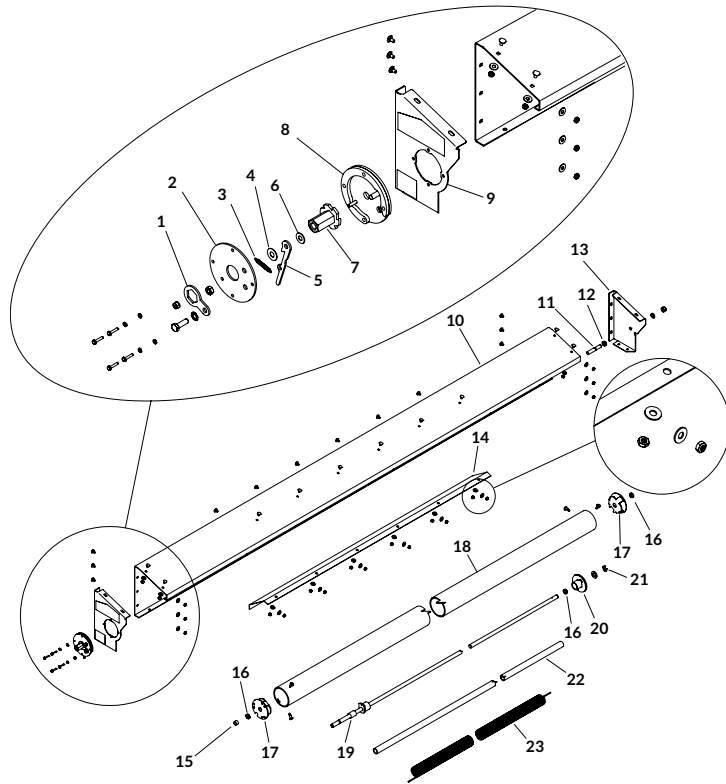
2000SR – w/HOUSING

ITEM	PART NO.	DESCRIPTION
1	1800087	Aluminum Tube - 104" x .995"
2	1800239	Rope Assembly
3	1800395	Housing - Center
4	1800517	Housing - Left Side
5	1800518	Housing - Right Side
6	1800698*	Ratchet Spring
7	1800702*	Ratchet Spacer
8	1800917*	Ratchet Pawl w/Lever
9	1800033*	Roller Bar Assembly
10	1800782	Eyebolt - 5/16" x 1-1/4"
11	1800030	Fender Washer - 1" ID x 3" OD
12	1801354	Fender Washer - 1" ID x 5" OD
13	1800521	Spring - 1-7/8"
14	1800519	Flange Bearing - 3/4"
	1800613	2000SR Hardware Box
	1800095	2000SR Hardware Bag
15	1800021	J-Hook - Steel
16	1800135*	Tailgate Latch
17	1800779	PVC Roller - 1" x 6"
18	1800017	Shaft Collar - 1" OS
19	1800128*	Mounting Hardware
20	1800364	Mounting Angle

* These items are NOT shown in the drawing: numbered for future reference.



REPLACEMENT PARTS - DURAPULL™



HOUSING

ITEM	PART NO.	DESCRIPTION
	1121922	Tarp Housing Assembly - 80" [Includes 1; 2; 3; 4; 5; 6; 7; 8; 9; 10; 11; 12; 13; 14; 15; 18; 19; 20; 21; 23; 2 of 17; 3 of 16]
	1121964	Tarp Housing Assembly - 84" [Includes Same Items as P/N 1121922]
	1121957	Tarp Housing Assembly - 88" [Includes Same Items as P/N 1121922]
	1126639	Tarp Housing Assembly - 90" [Includes Same Items as P/N 1121922]
	1121556	Tarp Housing Assembly - 92" [Includes Same Items as P/N 1121922]
	1121315	Tarp Housing Assembly - 96" [Includes Same Items as P/N 1121922]
	1121316	Tarp Housing Assembly - 102" [Includes Same Items as P/N 1121922]
	1121924	Tarp Spool Assembly - 80" [Includes 18; 19; 20; 21; 22; 23]
	1121966	Tarp Spool Assembly - 84" [Includes 18; 19; 20; 21; 22; 23; 2 of 17; 3 of 16]
	1121959	Tarp Spool Assembly - 88" [Includes Same Items as P/N 1121959]
	1126644	Tarp Spool Assembly - 90" [Includes Same Items as P/N 1121959]
	1121558	Tarp Spool Assembly - 92" [Includes Same Items as P/N 1121959]
	1121322	Tarp Spool Assembly - 96" [Includes Same Items as P/N 1121959]
	1121323	Tarp Spool Assembly - 102" [Includes Same Items as P/N 1121959]
	1121339	Tarp Spool Ratchet Assembly [Includes 1; 2; 3; 4; 5; 6; 7; 8]
1	1121348	Ratchet Lock Plate
2	1121347	Ratchet Cover Plate
3	1704904	Extension Spring - 7/32" x .023" x 1-5/16"
4	1702881	Pawl Washer - 3/8"
5	1121346	Ratchet Pawl
6	1704911	Nylon Washer - 1/16" x 3/4" x 5/16"
7	1705718	Ratchet Gear
8	1121340	Ratchet Base Assembly
9	1121317	End Panel - Left Side
10	1121923	Tarp Housing Shield - 80"
	1121965	Tarp Housing Shield - 84"
	1121958	Tarp Housing Shield - 88"
	1126643	Tarp Housing Shield - 90"
	1121557	Tarp Housing Shield - 92"
	1121319	Tarp Housing Shield - 96"
	1121320	Tarp Housing Shield - 102"
11	1121349	Ratchet Lock Plate
12	1700413	Jam Nut - 1/2"
13	1121318	End Panel - Right Side
14	1121321	Tarp Housing Shield Brace
15	1110649	Pulley Spacer
16	1704908	Flange Bearing - 1/2" ID - Snap-In Nyliner
17	1121324	Tarp Spool End Cap
18	1121925	Tarp Spool Tube - 78-3/4" (80)
	1121967	Tarp Spool Tube - 82-3/4" (84)
	1121960	Tarp Spool Tube - 86-3/4" (88)
	1126647	Tarp Spool Tube - 88-3/4" (90)
	1121559	Tarp Spool Tube - 90-3/4" (92)
	1121337	Tarp Spool Tube - 94-3/4" (96)
	1121338	Tarp Spool Tube - 100-3/4" (102)

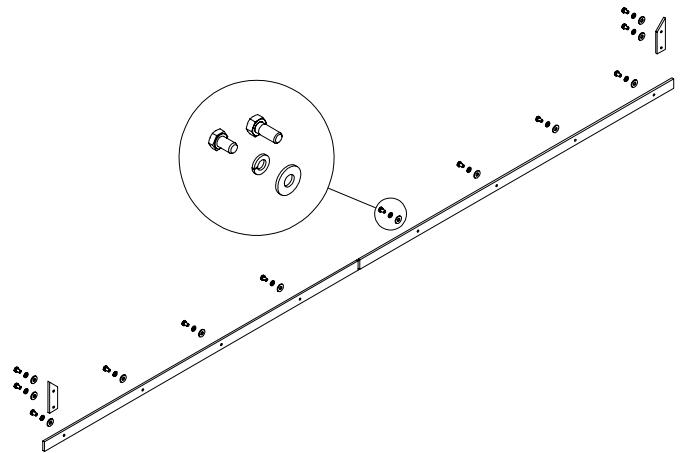
HOUSING | Continued

ITEM	PART NO.	DESCRIPTION
19	1121332	Spring Shaft
20	1121328	Spring Tube Catch
21	1704907	Cotter Pin - 1/8" x 1"
22	1121327	Spring Spacer Tube
23	1704765	Torsion Spring - 1-1/2" x 1/8" x 47"

REPLACEMENT PARTS - DURAPULL™

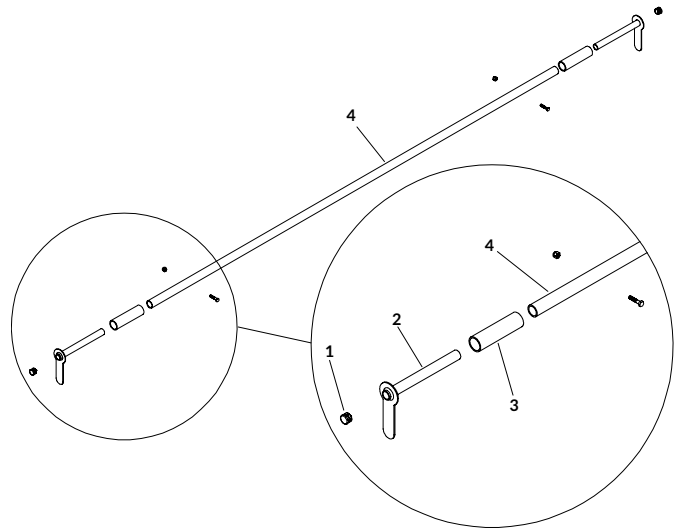
MOUNTING STRIPS

ITEM	PART NO.	DESCRIPTION
	1121794	Housing Mounting Strip Kit - Aluminum - 80"
	1121976	Housing Mounting Strip Kit - Aluminum - 84"
	1121975	Housing Mounting Strip Kit - Aluminum - 88"
	1129431	Housing Mounting Strip Kit - Aluminum - 90"
	1121574	Housing Mounting Strip Kit - Aluminum - 92"
	1121366	Housing Mounting Strip Kit - Aluminum - 96"
	1121387	Housing Mounting Strip Kit - Aluminum - 102"
	1121971	Housing Mounting Strip Kit - Steel - 80"
	1121973	Housing Mounting Strip Kit - Steel - 84"
	1121972	Housing Mounting Strip Kit - Steel - 88"
	1129432	Housing Mounting Strip Kit - Steel - 90"
	1121573	Housing Mounting Strip Kit - Steel - 92"
	1121365	Housing Mounting Strip Kit - Steel - 96"
	1121386	Housing Mounting Strip Kit - Steel - 102"



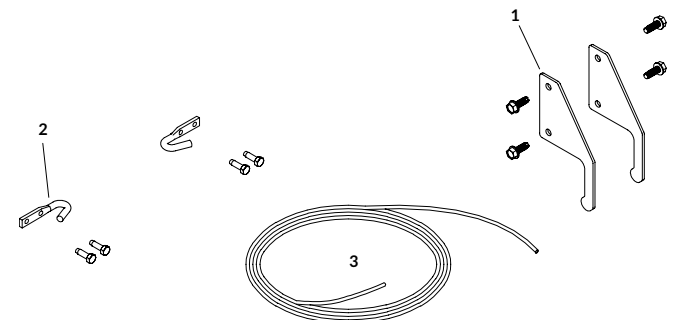
PULL BARS

ITEM	PART NO.	DESCRIPTION
1	1701595	End Plug - 1"
2	1121351	Pull-Bar Guide
3	1121355	Pull-Bar Roller
4	1121350	Pull-Bar - 104"



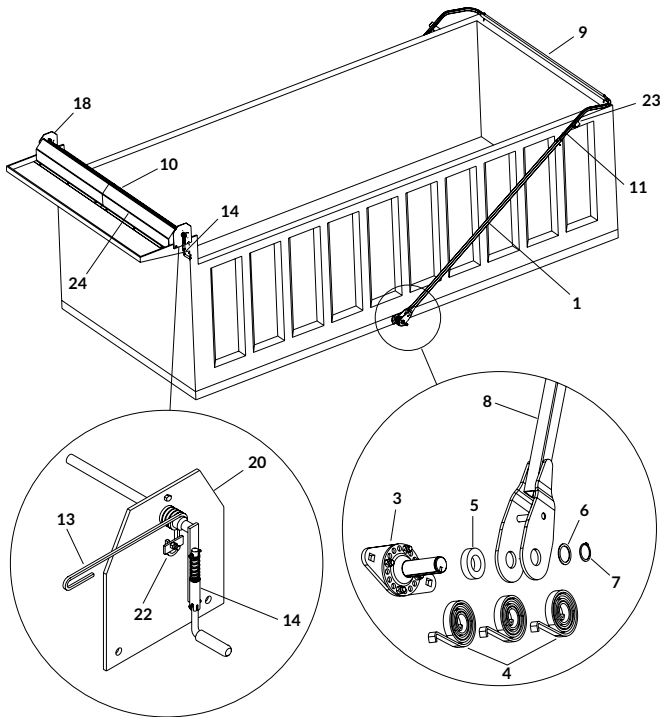
DURAPULL™ – PULL ROPES / HOOKS

ITEM	PART NO.	DESCRIPTION
	1121356	Pull Rope/Hook Hardware [Includes 1; 4; 2 of 2; 4 of 3]
1	1121357	Pull-Bar Retaining Hook
2	1706059	Box Hook - 3/8" x 4-7/8"
3	1127822	Pull Rope Assembly



REPLACEMENT PARTS - 5000 SERIES

5000XCL



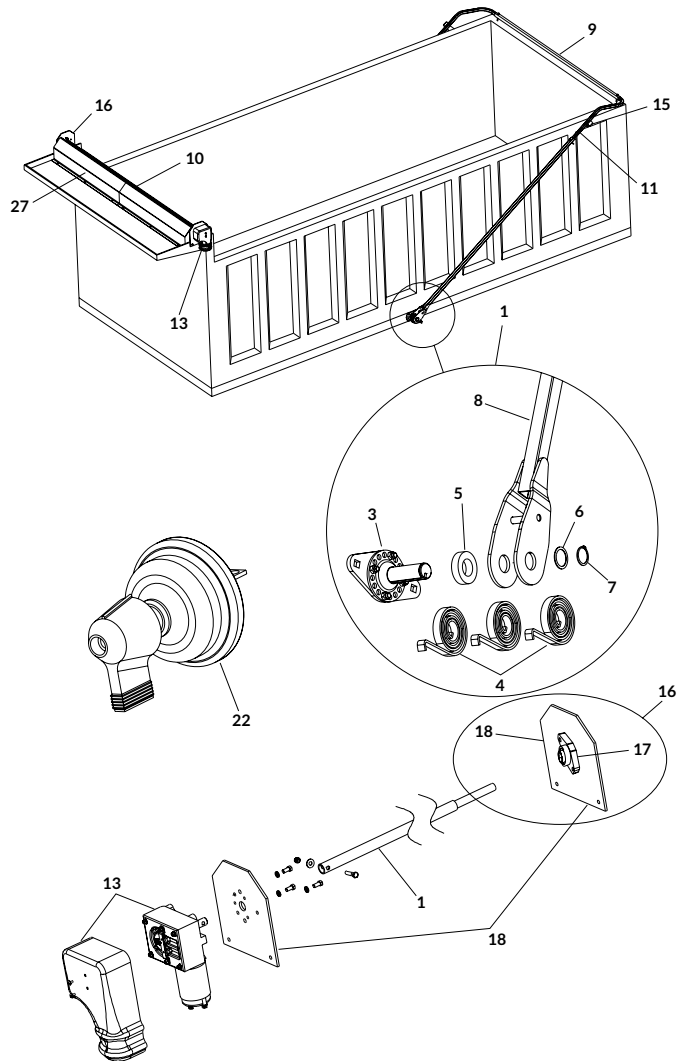
ITEM	PART NO.	DESCRIPTION
	1808764	5000X Arm Kit
1	1800123	Pivot Arm Assembly - Left Side [Includes 3; 5; 6; 7; 8; 3 of 4]
2	1800124*	Pivot Arm Assembly - Right Side [Includes 3; 5; 6; 7; 8; 3 of 4]
3	1809824	Pivot Spring Assembly w/Base - Adjustable 4-Spring
4	1800763	Flat Coil Torsion Spring
5	1800861	Shaft Collar - 1-1/4"
6	1800977	Shim - 1-1/4" ID x .047
7	1800978	Retaining Ring - 1-1/4"
8	1801757	Pivot Arm
9	1801758	Galvanized Rear Cross Bar
10	1800038	Steel Roller Bar
11	1801759	Galvanized Bent Arm - Left Side
12	1801760*	Galvanized Bent Arm - Right Side
13	1800337*	Brake Spring
14	1801509	Handle w/Bar
15	1800328*	Hardware Bag
16	1800045*	Shaft Collar - 3/4"
17	1800050*	Rubber Strap w/Hook - 15"
18	1809564*	Bearing Plate Assembly - PC [Includes 19 & 20]
19	1800042*	Bearing - 3/4"
20	1809563	Universal Bearing Plate - PC
21	1801407*	Pivot Mount Hardware
22	1800155	Spring Clip
23	1800254	Steel Pivot Arm Rest
		OPTIONS
24	1801943	Steel Wind Deflector - 2 Pc.

* These items are NOT shown in the drawing; numbered for future reference.

REPLACEMENT PARTS - 5000 SERIES

5000XEL

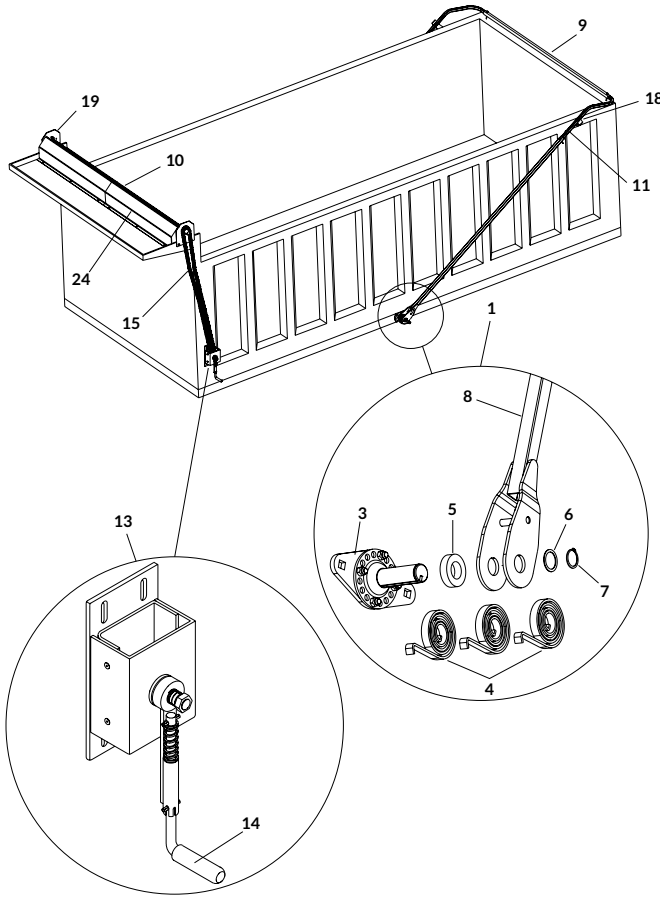
ITEM	PART NO.	DESCRIPTION
	1808764	5000X Arm Kit
1	1800123	Pivot Arm Assembly - Right Side [Includes 3; 5; 6; 7; 8; 3 of 4]
2	1800124*	Pivot Arm Assembly - Right Side [Includes 3; 5; 6; 7; 8; 3 of 4]
3	1809824	Pivot Spring Assembly w/Base - Adjustable 4-Spring
4	1800763	Flat Coil Torsion Spring
5	1800861	Shaft Collar - 1-1/4"
6	1800977	Shim - 1-1/4" ID x .047
7	1800978	Retaining Ring - 1-1/4"
8	1801757	Pivot Arm
9	1801758	Galvanized Rear Cross Bar
10	1800038	Steel Roller Bar
11	1801759	Galvanized Bent Arm - Left Side
12	1801760*	Galvanized Bent Arm - Right Side
13	1802061	Direct-Drive Motor - 12V
14	1800045*	Shaft Collar - 3/4"
15	1800254	Steel Pivot Arm Rest
16	1809564	Bearing Plate Assembly - PC [Includes 17 & 18]
17	1800042	Bearing - 3/4"
18	1809563	Universal Bearing Plate - PC
19	1801407*	Pivot Mount Hardware
20	1800328*	Hardware Bag
21	1802076*	Rotary Switch Assembly [Includes 22; 24; 25; 2 of 26; 8 of 23]
22	1110551	Heavy-Duty Rotary Switch
23	1800430*	Ring Terminal - 8 Ga. x 1/4" Stud
24	1800516*	Rotary Switch Bracket
25	1800536*	Circuit Breaker - 40 Amp
26	1801486*	Ring Terminal - 8 Ga. x 3/8" Stud - Battery
		OPTIONS
27	1801943	Steel Wind Deflector - 2 Pc.
	1809047	Durabuilt™ Switch - 40 Amp - 12V
	1809048	Durabuilt™ Hardware Bag [Includes 4 of 33; 6 of 32]
28	1809061*	Durabuilt™ Cable Assembly
29	1800440*	Rocker Switch Bracket
30	1800575*	Circuit Breaker - 40 Amp - Marine Grade
31	1800602*	Rocker Switch - 12V
32	1800927*	Ring Terminal - 6 Ga. x 3/8" Stud - Battery
33	1800658*	Ring Terminal - 6 Ga. x 1/4" Stud
34	1703845*	Solenoid Switch - 12V
35	1703896*	Solenoid Cover



* These items are NOT shown in the drawing: numbered for future reference.

REPLACEMENT PARTS - 5000 SERIES

5000XGL



ITEM	PART NO.	DESCRIPTION
	1808764	5000X Arm Kit
1	1800123	Pivot Arm Assembly - Left Side [Includes 3; 5; 6; 7; 8; 3 of 4]
2	1800124*	Pivot Arm Assembly - Right Side [Includes 3; 5; 6; 7; 8; 3 of 4]
3	1809824	Pivot Spring Assembly w/Base - Adjustable 4-Spring
4	1800763	Flat Coil Torsion Spring
5	1800861	Shaft Collar - 1-1/4"
6	1800977	Shim - 1-1/4" ID x .047
7	1800978	Retaining Ring - 1-1/4"
8	1801757	Pivot Arm
9	1801758	Galvanized Rear Cross Bar
10	1800038	Steel Roller Bar
11	1801759	Galvanized Bent Arm - Left Side
12	1801760*	Galvanized Bent Arm - Right Side
13	1800088	Crank Box Assembly [Includes 14 & 15]
14	1800636	Handle Grip - 4-1/2" x 3/4"
15	1800188	Chain - #40 - 10' - Boxed
16	1800758*	Sprocket Shaft Assembly
17	1800045*	Shaft Collar - 3/4"
18	1800254	Steel Pivot Arm Rest
19	1809564	Bearing Plate Assembly - Black Powder Coat [Includes 21 & 22]
20	1800042*	Bearing - 3/4"
21	1809563*	Universal Bearing Plate - Black Powder Coat
22	1801407*	Pivot Mount Hardware
23	1800328*	Hardware Bag
		OPTIONS
24	1801943	Steel Wind Deflector - 2 Pc.
	1800036	Chain Guard [Includes 26; 27 & 28]
25	1800402*	Upper Guard
26	1800403*	Lower Guard
27	1800404*	Chain Guard Bracket

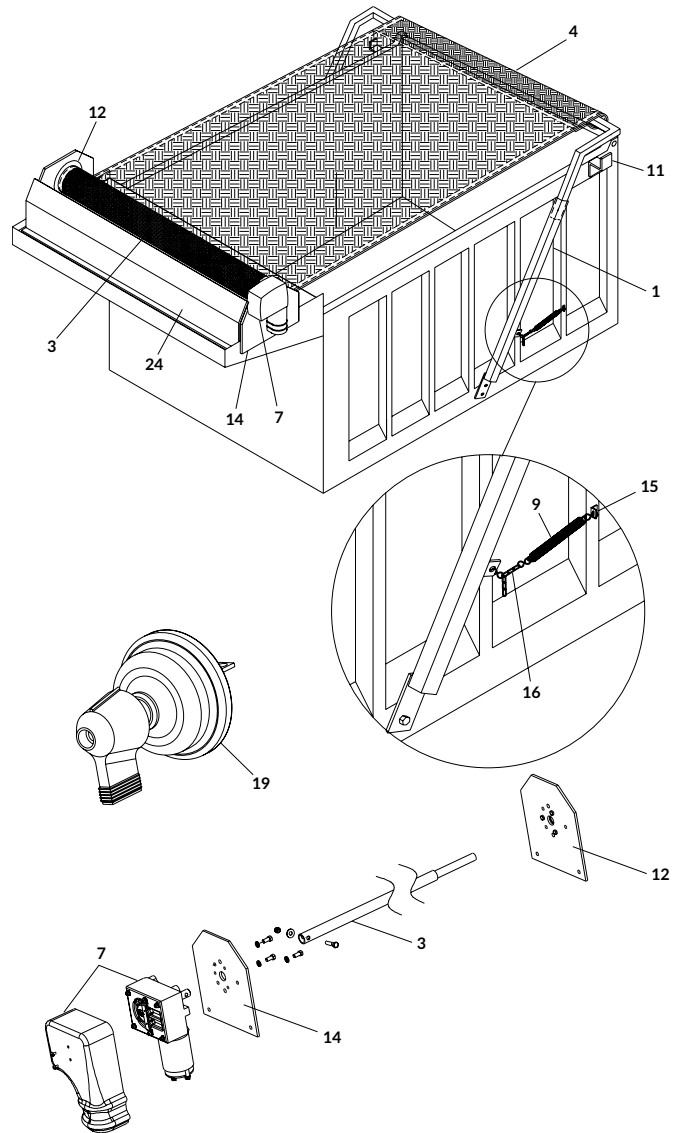
* These items are NOT shown in the drawing; numbered for future reference.

REPLACEMENT PARTS - 5000 SERIES

5000ELD

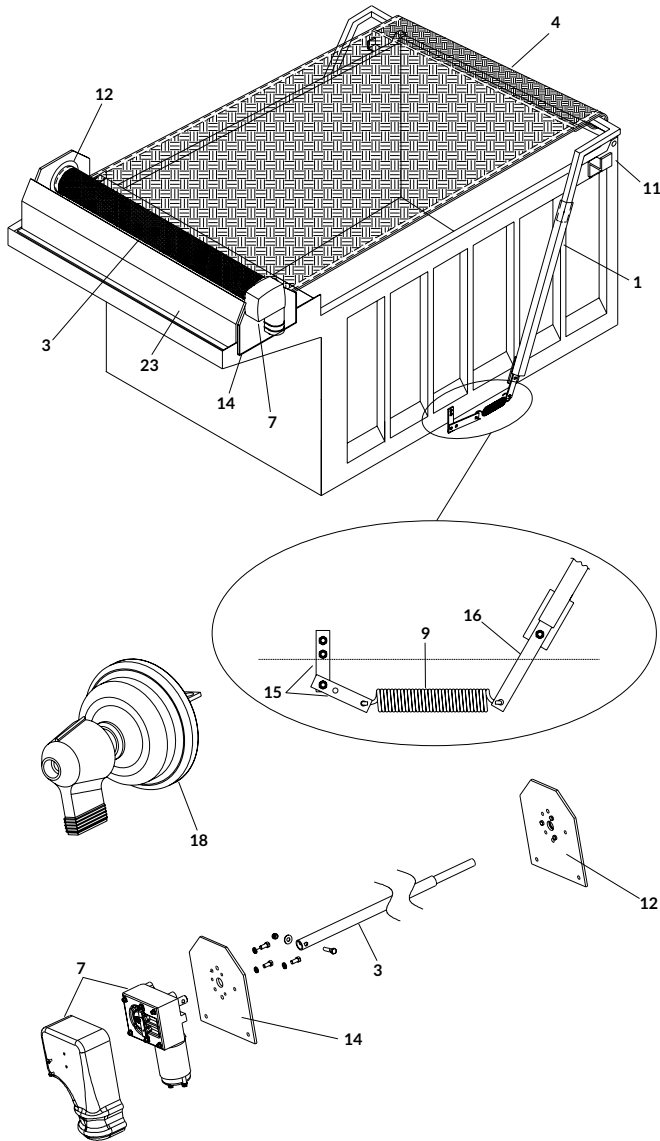
ITEM	PART NO.	DESCRIPTION
1	1800241	Pivot Arm - Left Side
2	1800240*	Pivot Arm - Right Side
3	1800038	Steel Roller Bar
4	1800635	Painted Rear Cross Bar
5	1800243*	Painted Bent Arm - Left Side
6	1800242*	Painted Bent Arm - Right Side
7	1802061	Direct-Drive Motor - 12V
8	1800028*	Dual-Conductor Wire - 8 Ga. - 60'
9	1800037	Spring - 25"
10	1800045*	Shaft Collar - 3/4"
11	1800254	Steel Pivot Arm Rest
12	1809564	Bearing Plate Assembly - Black Powder Coat [Includes 13 & 14]
13	1800042*	Bearing - 3/4"
14	1809563	Universal Bearing Plate - Black Powder Coat
15	1800192	Spring Attachment Angle
16	1800041	Chain Link - 3/16" x 12"
17	1800103*	Hardware Bag
18	1802076*	Rotary Switch Assembly [Includes 19; 21; 22; 2 of 23; 8 of 20]
19	1110551	Heavy-Duty Rotary Switch
20	1800430*	Ring Terminal - 8 Ga. x 1/4" Stud
21	1800516*	Rotary Switch Bracket
22	1800536*	Circuit Breaker - 40 Amp
23	1801486*	Ring Terminal - 8 Ga. x 3/8" Stud - Battery
		OPTIONS
24	1801943	Steel Wind Deflector - 2 Pc.
	1809047	Durabuilt™ Switch - 40 Amp - 12V
	1800433	Durabuilt™ Hardware Bag [Includes 4 of 30; 6 of 29]
	1800443*	Solenoid Hardware Bag [Includes 31 & 32]
25	1800420*	Durabuilt™ Cable Assembly
26	1800440*	Rocker Switch Bracket
27	1800575*	Circuit Breaker - 40 Amp - Marine Grade
28	1800602*	Rocker Switch - 12V
29	1800927*	Ring Terminal - 6 Ga. x 3/8" Stud - Battery
30	1801544*	Ring Terminal - 6 Ga. x 1/4" Stud
31	1800418*	Solenoid Switch - 12V
32	1703896*	Solenoid Cover

* These items are NOT shown in the drawing: numbered for future reference.



REPLACEMENT PARTS - 5000 SERIES

5000ELUD



ITEM	PART NO.	DESCRIPTION
1	1800241	Pivot Arm - Left Side
2	1800240*	Pivot Arm - Right Side
3	1800038	Steel Roller Bar
4	1800635	Painted Rear Cross Bar
5	1800243*	Painted Bent Arm - Left Side
6	1800242*	Painted Bent Arm - Right Side
7	1802061	Direct-Drive Motor - 12V
8	1800028*	Dual-Conductor Wire - 8 Ga. - 60'
9	1800462	Spring - Underbody - 12"
10	1800045*	Shaft Collar - 3/4"
11	1800254	Steel Pivot Arm Rest
12	1809564	Bearing Plate Assembly - Black Powder Coat [Includes 13 & 14]
13	1800042*	Bearing - 3/4"
14	1809563	Universal Bearing Plate - Black Powder Coat
15	1800463	Mounting Bracket - Underbody
16	1800647	Pivot Arm Bracket - Underbody
17	1802076*	Rotary Switch Assembly [Includes 18; 20; 21; 2 of 22; 8 of 19]
18	1110551	Heavy-Duty Rotary Switch
19	1800430*	Ring Terminal - 8 Ga. x 1/4" Stud
20	1800516*	Rotary Switch Bracket
21	1800536*	Circuit Breaker - 40 Amp
22	1801486*	Ring Terminal - 8 Ga. x 3/8" Stud - Battery
		OPTIONS
23	1801943*	Steel Wind Deflector - 2 Pc.
	1809047	Durabuilt™ Switch - 40 Amp - 12V
	1800433	Durabuilt™ Hardware Bag [Includes 4 of 29; 6 of 28]
	1800443	Solenoid Hardware Bag [Includes 30 & 31]
24	1800420*	Durabuilt™ Cable Assembly
25	1800440*	Rocker Switch Bracket
26	1800575*	Circuit Breaker - 40 Amp - Marine Grade
27	1800602*	Rocker Switch - 12V
28	1800927*	Ring Terminal - 6 Ga. x 3/8" Stud - Battery
29	1801544*	Ring Terminal - 6 Ga. x 1/4" Stud
30	1800418*	Solenoid Switch - 12V
31	1703896*	Solenoid Cover

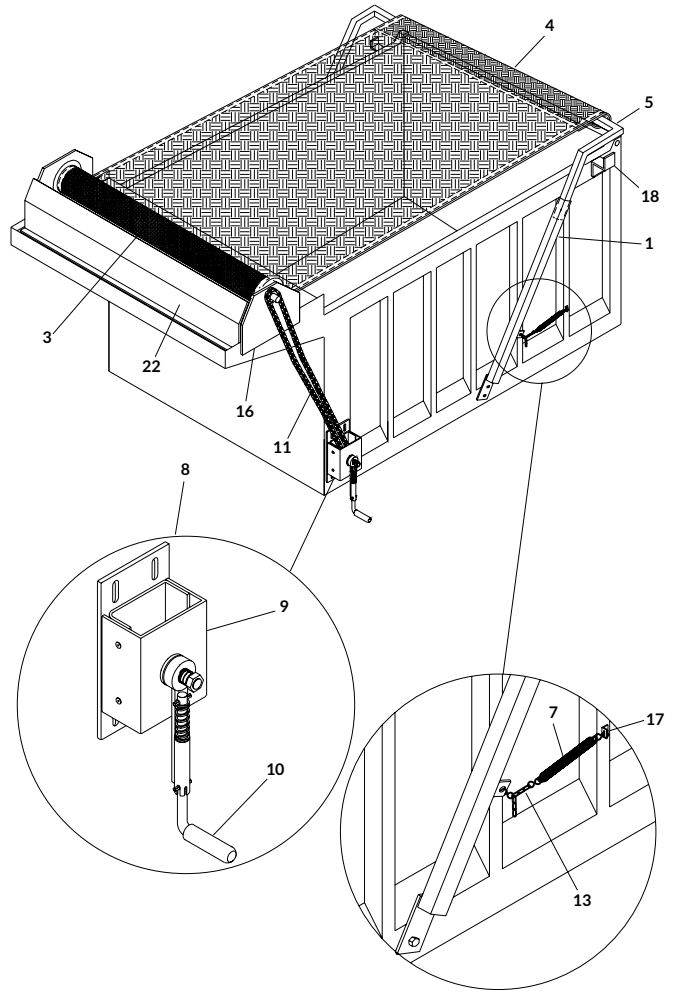
* These items are NOT shown in the drawing: numbered for future reference.

REPLACEMENT PARTS - 5000 SERIES

5000GL

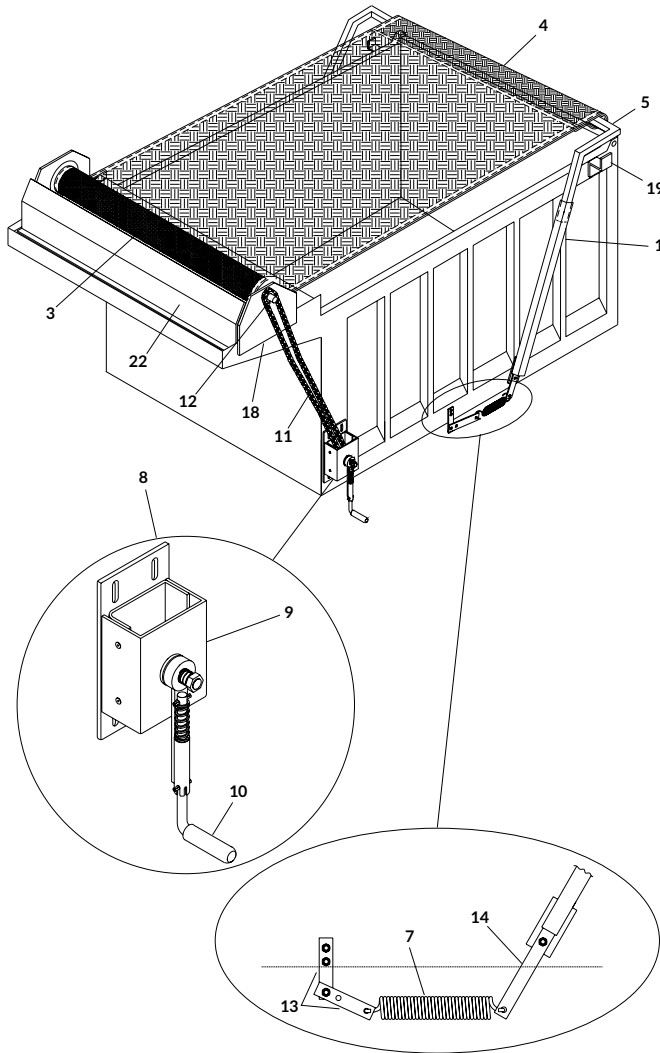
ITEM	PART NO.	DESCRIPTION
1	1800241	Pivot Arm - Left Side
2	1800240*	Pivot Arm - Right Side
3	1800038	Steel Roller Bar
4	1800635	Painted Rear Cross Bar
5	1800243	Painted Bent Arm - Left Side
6	1800242*	Painted Bent Arm - Right Side
7	1800037	Spring - 25"
8	1800088	Crank Box Assembly [Includes 9 & 10]
9	1805099	Crank Box
10	1800636	Handle Grip - 4-1/2" x 3/4"
11	1800188	Chain - #40 - 10' - Boxed
12	1800758*	Sprocket Shaft Assembly
13	1800041	Chain Link - 3/16" x 12"
14	1800045*	Shaft Collar - 3/4"
15	1809564*	Bearing Plate Assembly - Black Powder Coat [Includes 16]
16	1809563	Universal Bearing Plate - Black Powder Coat
17	1800192	Spring Attachment Angle
18	1800254	Steel Pivot Arm Rest
19	1800043*	Clamp Hose - 1-1/2" #16
20	1800044*	S-Hook - 1/4" x 2-1/2"
21	1800801*	Cotter Pin - 1/4" x 2-1/2"
OPTIONS		
22	1801943	Steel Wind Deflector - 2 Pc.
	1800036	Chain Guard [Includes 23; 24; 3 of 25]
23	1800402*	Upper Guard
24	1800403*	Lower Guard
25	1800404*	Chain Guard Bracket

* These items are NOT shown in the drawing: numbered for future reference.



REPLACEMENT PARTS - 5000 SERIES

5000GLU



ITEM	PART NO.	DESCRIPTION
1	1800241	Pivot Arm - Left Side
2	1800240*	Pivot Arm - Right Side
3	1800038	Steel Roller Bar
4	1800635	Painted Rear Cross Bar
5	1800243	Painted Bent Arm - Left Side
6	1800242*	Painted Bent Arm - Right Side
7	1800462	Spring - Underbody - 12"
8	1800088	Crank Box Assembly [Includes 9 & 10]
9	1805099	Crank Box
10	1800636	Handle Grip - 4-1/2" x 3/4"
11	1800188	Chain - #40 - 10' - Boxed
12	1800758	Sprocket Shaft Assembly
13	1800463	Mounting Bracket - Underbody
14	1800647	Pivot Arm Bracket - Underbody
15	1800045*	Shaft Collar - 3/4"
16	1809564*	Bearing Plate Assembly - Black Powder Coat [Includes 17 & 18]
17	1800042*	Bearing - 3/4"
18	1809563	Universal Bearing Plate - Black Powder Coat
19	1800254	Steel Pivot Arm Rest
20	1800043*	Clamp Hose - 1-1/2" #16
21	1800801*	Cotter Pin - 1/4" x 2-1/2"
		OPTIONS
22	1801943	Steel Wind Deflector - 2 Pc.
	1800036	Chain Guard [Includes 23; 24; 3 of 25]
23	1800402*	Upper Guard
24	1800403*	Lower Guard
25	1800404*	Chain Guard Bracket

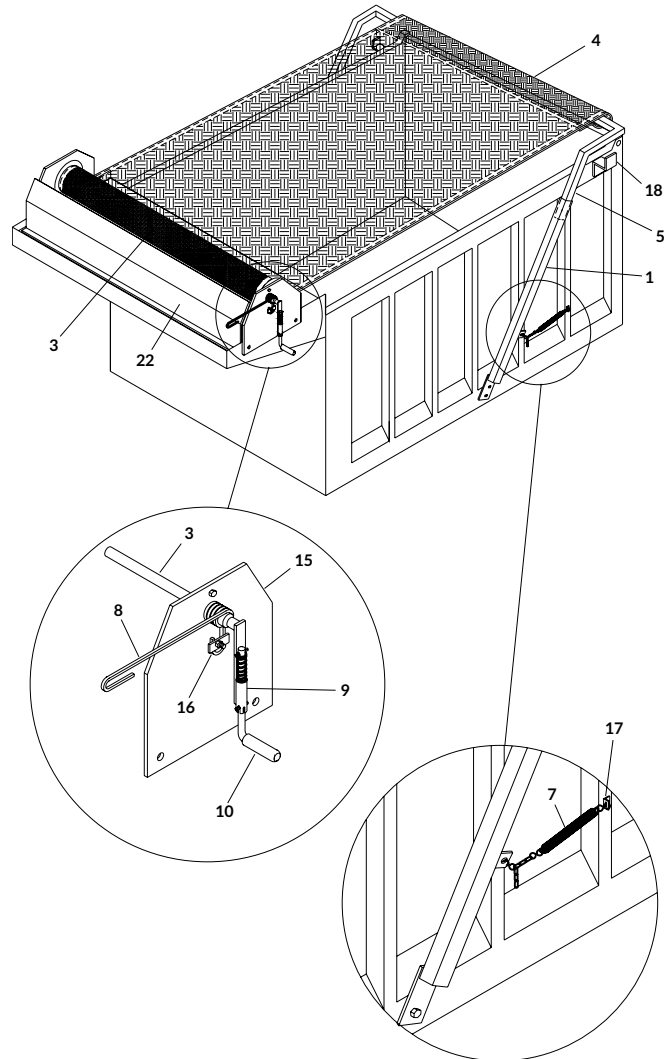
* These items are NOT shown in the drawing: numbered for future reference.

REPLACEMENT PARTS - 5000 SERIES

5000S

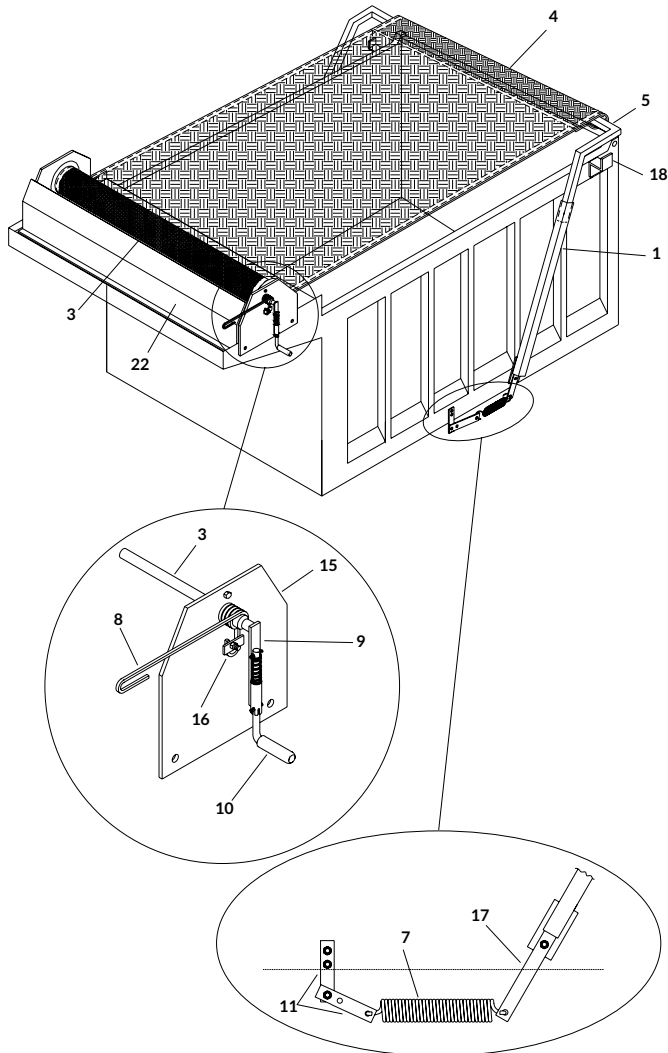
ITEM	PART NO.	DESCRIPTION
1	1800241	Pivot Arm - Left Side
2	1800240*	Pivot Arm - Right Side
3	1800038	Steel Roller Bar
4	1800635	Painted Rear Cross Bar
5	1800243	Painted Bent Arm - Left Side
6	1800242*	Painted Bent Arm - Right Side
7	1800037	Spring - 25"
8	1800337	Brake Spring
9	1801509	Handle w/Bar
10	1800636	Handle Grip - 4-1/2" x 3/4"
11	1800041*	Chain Link - 3/16" x 12"
12	1800045*	Shaft Collar - 3/4"
13	1800050*	Rubber Strap w/Hook - 15"
14	1809564*	Bearing Plate Assembly - Black Powder Coat [Includes 15]
15	1809563	Universal Bearing Plate - Black Powder Coat
16	1800155	Spring Clip
17	1800192	Spring Attachment Angle
18	1800254	Steel Pivot Arm Rest
19	1800043*	Clamp Hose - 1-1/2" #16
20	1800044*	S-Hook - 1/4" x 2-1/2"
21	1800801*	Cotter Pin - 1/4" x 2-1/2"
		OPTIONS
22	1801943	Steel Wind Deflector - 2 Pc.

* These items are NOT shown in the drawing: numbered for future reference.



REPLACEMENT PARTS - 5000 SERIES

5000SU



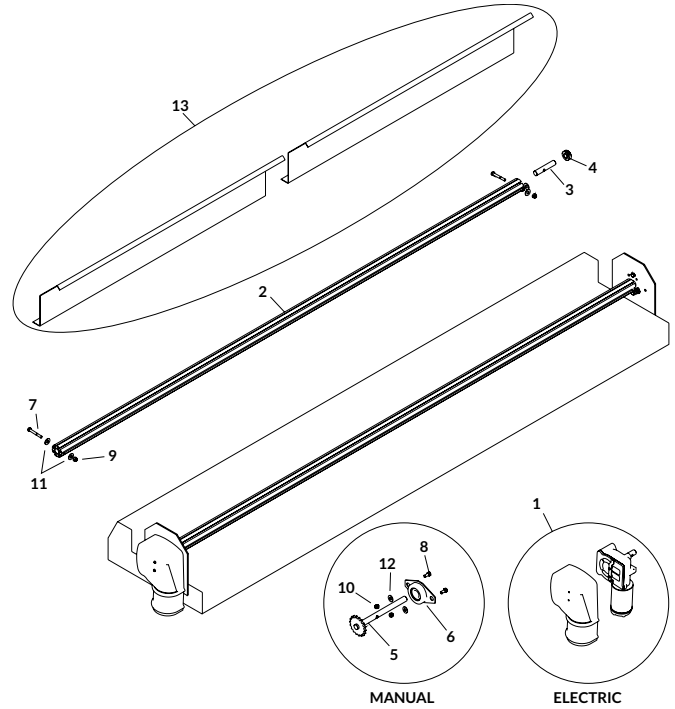
ITEM	PART NO.	DESCRIPTION
1	1800241	Pivot Arm - Left Side
2	1800240*	Pivot Arm - Right Side
3	1800038	Steel Roller Bar
4	1800635	Painted Rear Cross Bar
5	1800243	Painted Bent Arm - Left Side
6	1800242*	Painted Bent Arm - Right Side
7	1800462	Spring - Underbody - 12"
8	1800337	Brake Spring
9	1801509	Handle w/Bar
10	1800636	Handle Grip - 4-1/2" x 3/4"
11	1800463	Mounting Bracket - Underbody
12	1800045*	Shaft Collar - 3/4"
13	1800050*	Rubber Strap w/Hook - 15"
14	1809564*	Bearing Plate Assembly - Black Powder Coat [Includes 15]
15	1809563	Universal Bearing Plate - Black Powder Coat
16	1800155	Spring Clip
17	1800647	Pivot Arm Bracket - Underbody
18	1800254	Steel Pivot Arm Rest
19	1800043*	Clamp Hose - 1-1/2" #16
20	1800045*	Shaft Collar - 3/4"
21	1800801*	Cotter Pin - 1/4" x 2-1/2"
		OPTIONS
22	1801943	Steel Wind Deflector - 2 Pc.

* These items are NOT shown in the drawing; numbered for future reference.

REPLACEMENT PARTS - HAMMER™ II

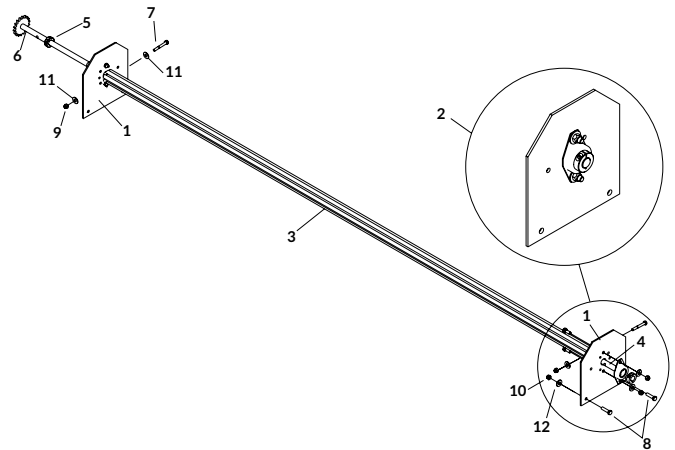
FRONT DRIVE – THROUGH CAB

ITEM	PART NO.	DESCRIPTION
1	1802061	Durabuilt™ Motor - 12V
2	1809330	Tarp Spool Axle - 3-Way Attachment - 98"
3	1800980	Shaft Extension - 3/4" x 4"
4	1800089	Collar Shaft - 3/4"
5	1120376	Sprocket - Left Side
6	1800042	Bearing
7	1703237	Cap Screw - 5/16" x 2-1/2"
8	1800795	Bolt - 3/8" x 1"
9	1800990	Lock Nut - 5/16"
10	1800993	Lock Nut - 3/8"
11	1800989	Flat Washer - 5/16"
12	1800994	Flat Washer - 3/8"
13	1809571	Steel Wind Deflector - 2 Pc.



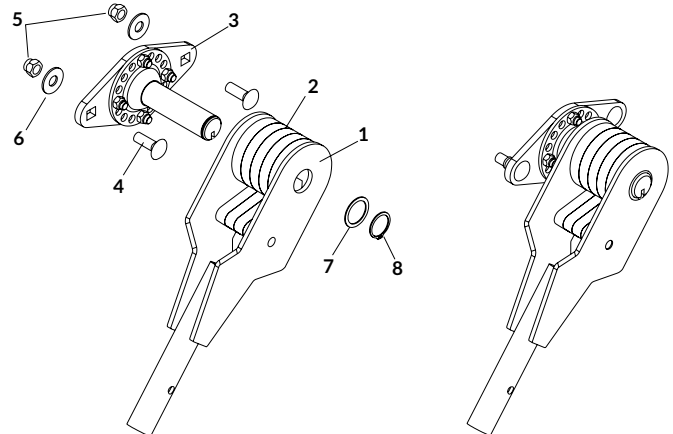
FRONT DRIVE – SIDE PLATES

ITEM	PART NO.	DESCRIPTION
1	1809563	Bearing Plate - Universal
2	1809564	Bearing Plate Assembly
3	1809330	Tarp Spool Axle - 98"
4	1800980	Shaft Extension - 3/4" x 4"
5	1800089	Collar Shaft - 3/4"
6	1800758	Shaft Sprocket Assembly
7	1703237	Cap Screw - 5/16" x 2-1/2"
8	1800790	Cap Screw - 3/8" x 1-1/2"
9	1800990	Lock Nut - 5/16"
10	1800993	Lock Nut - 3/8"
11	1800989	Flat Washer - 5/16"
12	1800994	Flat Washer - 3/8"

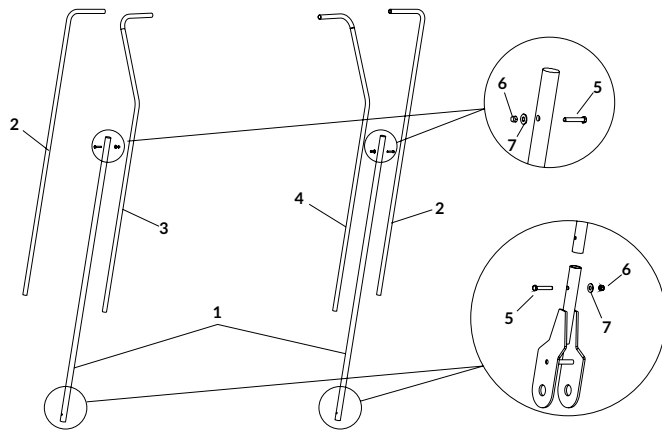


5-SPRING EXTERNAL PIVOTS

ITEM	PART NO.	DESCRIPTION
1	1809609	Spring Pivot Weldment - 5-Spring
2	1800763	Flat Coil Torsion Spring
3	1809825	Pivot Spring Assembly w/Base - Adjustable 5-Spring
4	1800356	Carriage Bolt - 1/2" x 1-1/2"
5	1800995	Lock Nut - 1/2"
6	1800996	Flat Washer - 1/2"
7	1800977	Shim - 1-1/4" x .047
8	1800978	Retaining Ring - 1-1/4"



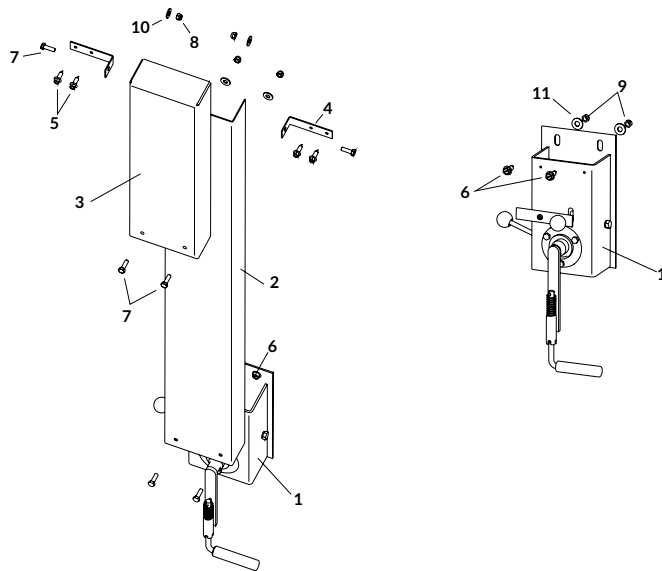
REPLACEMENT PARTS - HAMMER™ II



ARM ASSEMBLIES

ITEM	PART NO.	DESCRIPTION
1	1809407	Lower Arm
2	1809408	Upper Arm - Straight
3	1809553	Upper Arm - 30° Bend - Left Side
4	1809554	Upper Arm - 30° Bend - Right Side
5	1809567	Cap Screw - 3/8" x 2-1/4"
6	1800993	Lock Nut - 3/8"
7	1800994	Flat Washer - 3/8"
8	1809409*	Rear Cross Bar

* These items are NOT shown in the drawing: numbered for future reference.



CONTROL BOX & CHAIN GUARDS

ITEM	PART NO.	DESCRIPTION
1	1800178	Control Box
2	1800186	Lower Chain Guard
3	1800185	Upper Chain Guard
4	1800404	Chain Guard Bracket
5	1800802	Screw - #10 x 1"
6	1700400	Self-Tapping Screw - 3/8" x 1"
7	1800998	Bolt - 5/16" x 1" GR5
8	1800990	Lock Nut - 5/16"
9	1800993	Lock Nut - 3/8"
10	1800989	Flat Washer - 5/16"
11	1800994	Flat Washer - 3/8" GR5
12	1800188*	Chain

* These items are NOT shown in the drawing: numbered for future reference.

COMMON PART REPLACEMENT CHART – HAMMER™ II REPLACES HAMMER™

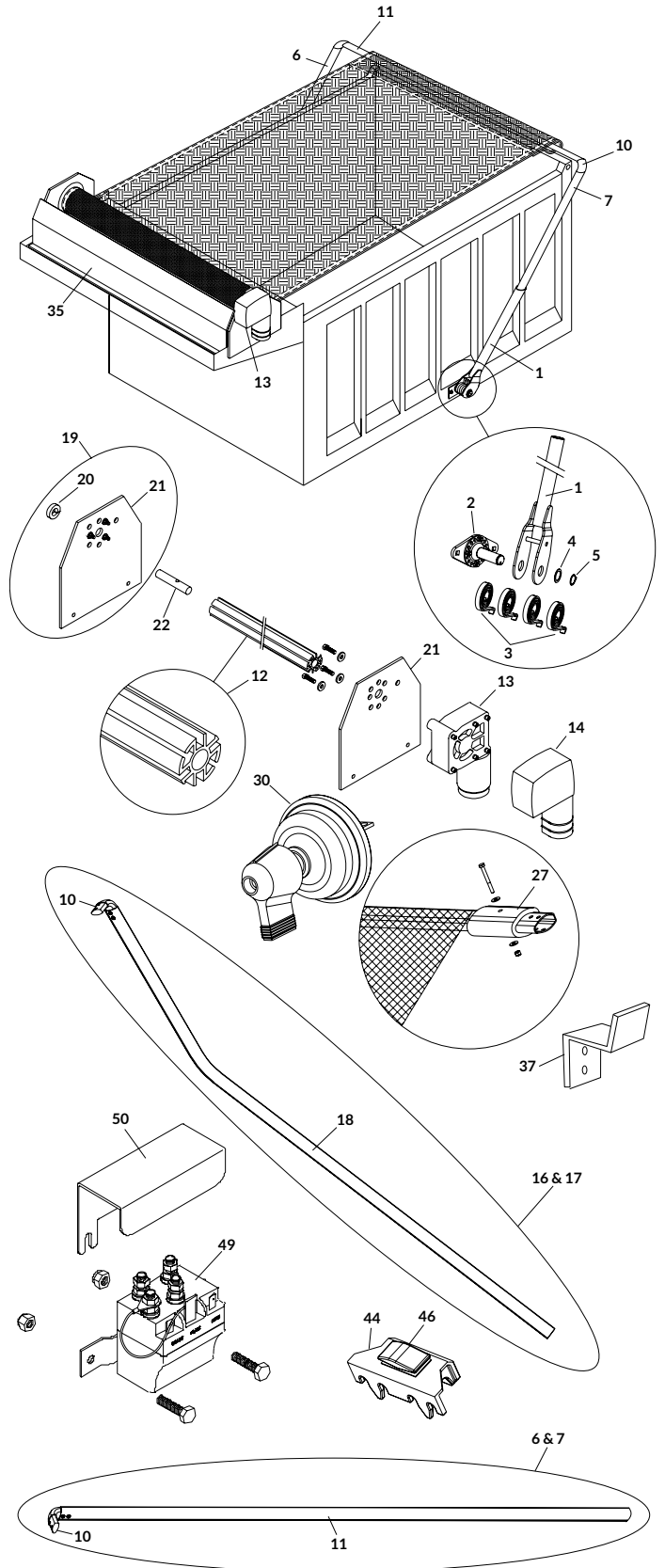
HAMMER™ II			HAMMER™ (Obsolete)	
PART NO.	DESCRIPTION		PART NO.	DESCRIPTION
1809557	Hammer™ II Arm Kit	REPLACES	1803894	Hammer™ Arm Kit
1809409	Rear Cross Piece	REPLACES	1801319	Rear Cross Bar
1809729	Lower Pivot Arm Kit	REPLACES	1801317	Lower Pivot Arm - Welded
1809408	Upper Arm - Straight	REPLACES	1801321	Upper Arm
1809564	Bearing Plate Assembly	REPLACES	1801312	Bearing Plate Assembly - Painted
1809563	Bearing Plate - Universal	REPLACES	1801201	Universal Bearing Plate - Painted
1809559	Hardware Bag	REPLACES	1800757	Hardware Bag
1809571	Steel Wind Deflector - 2 Pc.	REPLACES	1801943	Steel Wind Deflector - 2 Pc.

REPLACEMENT PARTS - BULLET™

BULLET™

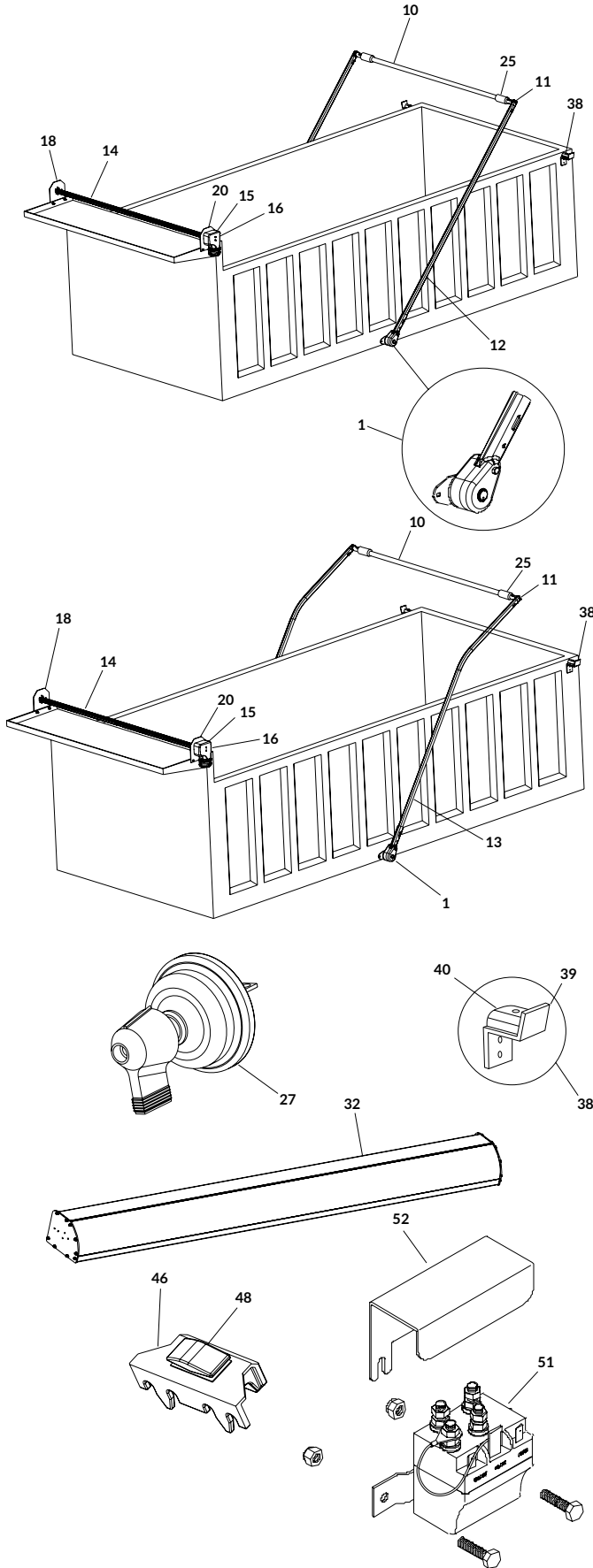
ITEM	PART NO.	DESCRIPTION
	1801595	Bullet™ Arm Kit - Straight Arm
	1805259	Bullet™ Arm Kit - 30° Bend
1	1801176	Pivot Arm Weldment
2	1809824	Pivot Spring Assembly w/Base - Adjustable 4-Spring
3	1800763	Flat Coil Torsion Spring
4	1800977	Shim - 1-1/4" ID x .047
5	1800978	Retaining Ring - 1-1/4"
6	1801188*	Upper Arm w/90° Bend - Right Side [Includes 10; 11; 2 of 8 & 9]
7	1801189	Upper Arm w/90° Bend - Left Side [Includes 10; 11; 2 of 8 & 9]
8	1800609*	Shoulder Bolt - 1/4" x 1-1/4"
9	1800610*	Tee Nut - 1/4-20 x 7/16"
10	1801972	Elbow - 90° - Aluminum Diecast
11	1801205	Extrusion - Drilled - 100" (Used for Upper Straight Arm & Rear Cross Piece)
12	1809330	Extruded Roller Bar
13	1802061	Direct-Drive Motor - 12V
14	1801585	Motor Cover - Chrome - 1 Pc.
15	1800028*	Dual-Conductor Wire - 8 Ga. - 60'
16	1800333	Upper Arm w/30° Bend - Left Side w/Elbow
17	1800334*	Upper Arm w/30° Bend - Right Side w/Elbow
18	1800332*	Upper Arm Extrusion - 30° Bend
19	1802007	Bearing Plate Assembly - Zinc [Includes 20 & 21]
20	1800042	Bearing - 3/4"
21	1802000	Universal Bearing Plate - Zinc
22	1800980	Shaft Extension - 3/4" x 4"
23	1801407*	Pivot Mount Hardware
24	1801568*	Head Assembly Hardware Bag
25	1800089*	Shaft Collar - 3/4" Single
26	1800679*	Bumper Kit - 6"
27	1800437	Tarp Stop - Rubber - 6"
28	1801409*	Bullet™ Hardware Bag
29	1802076*	Rotary Switch Assembly [Includes 30; 32; 33; 2 of 34; 8 of 31]
30	1110551	Heavy-Duty Rotary Switch
31	1800430*	Ring Terminal - 8 Ga. x 1/4" Stud
32	1800516*	Rotary Switch Bracket
33	1800536*	Circuit Breaker - 40 Amp
34	1801486*	Ring Terminal - 8 Ga. x 3/8" Stud - Battery
		OPTIONS
35	1801919	Aluminum Wind Deflector - 1 Pc.
36	1801999*	Aluminum Pivot Arm Rest - Qty 2 [Includes 39; 2 of 34 & 35]
37	1801251	Aluminum Pivot Arm Rest Bracket
38	1800437*	Rubber Bumper - Drilled - 6"
39	1801408*	Pivot Arm Rest Hardware Bag
40	1809047*	Durabuilt™ Switch - 40 Amp - 12V
41	1800433*	Durabuilt™ Hardware Bag [Includes 4 of 48; 6 of 47]
42	1800443*	Solenoid Hardware Bag [Includes 49; 50]
43	1800420*	Durabuilt™ Cable Assembly
44	1800440	Rocker Switch Bracket
45	1800575*	Circuit Breaker - 40 Amp - Marine Grade
46	1800602	Rocker Switch - 12V
47	1800927*	Ring Terminal - 6 Ga. x 3/8" Stud - Battery
48	1801544*	Ring Terminal - 6 Ga. x 1/4" Stud
49	1703845	Motor-Reversing Solenoid
50	1703896	Solenoid Cover
51	1800737*	Replacement Aluminum Roller Bar w/Shaft [Includes 12 & 22]

* These items are NOT shown in the drawing: numbered for future reference.



REPLACEMENT PARTS - FLASH™

ARM ASSEMBLIES – SIDE MOUNT



ITEM	PART NO.	DESCRIPTION
	1801075	Flash™ Arm Kit - Straight Arm
	1801076	Flash™ Arm Kit - 30° Bend
1	1809708	Clamshell Pivot Spring Kit w/Base - Adjustable 5-Spring [Includes 2 of 2, 3, 5, 7, 8 & 9; 10 of 6]
2	1800769*	Clamshell Front Housing
3	1800934*	Clamshell Back Housing
4	1801031*	Pivot/Spring Hardware Bag [Includes 2 of 5, 7, 8 & 9; 10 of 6]
5	1809825*	Pivot Spring Assembly w/Base - Adjustable 5-Spring
6	1800763*	Flat Coil Torsion Spring
7	1800977*	Shim - 1-1/4" ID x .047
8	1800978*	Retaining Ring - 1-1/4"
9	1801407*	Pivot Mount Hardware
10	1800300	Rear Cross Bar - Aluminum - 109"
11	1800597	Cast Elbow - 90°
12	1800421	Extrusion - Drilled - 150"
13	1800504*	Pivot Arm - 30° Bend
14	1809330	Extruded Roller Bar
15	1802061	Direct-Drive Motor - 12V
16	1801585	Motor Cover - Chrome - 1 Pc.
17	1800028*	Dual-Conductor Wire - 8 Ga. - 60'
18	1802007*	Bearing Plate Assembly - Zinc [Includes 19 & 20]
19	1800042*	Bearing - 3/4"
20	1802000	Universal Bearing Plate - Zinc
21	1800980*	Shaft Extension - 3/4" x 4"
22	1801568*	Head Assembly Hardware Bag
23	1800861*	Shaft Collar - 1-1/4"
24	1800089*	Shaft Collar - 3/4" Single
25	1808819	Bumper Kit - 6" (Sold Individually)
26	1802076*	Rotary Switch Assembly [Includes 27; 29; 30; 2 of 31; 8 of 28]
27	1110551	Heavy-Duty Rotary Switch
28	1800430*	Ring Terminal - 8 Ga. x 1/4" Stud
29	1800516*	Rotary Switch Bracket
30	1800536*	Circuit Breaker - 40 Amp
31	1801486*	Ring Terminal - 8 Ga. x 3/8" Stud - Battery
		OPTIONS
32	1801062	Housing Shell - 96" ID [Includes 33; 2 of 34 & 35; 6 of 36]
	1801055	Housing Shell - 102" ID [Includes 33; 2 of 34 & 35; 6 of 36]
33	1800477*	Housing Deflector - 105-3/4"
34	1800505*	Housing Top Plate - 102"
35	1800571*	Housing End Plate
36	1800460*	Self-Threading Bolt - 5/16" x 1-1/4"
37	1801919*	Aluminum Wind Deflector - 1 Pc.
38	1801999	Aluminum Pivot Arm Rest - Qty 2 [Includes 41; 2 of 39 & 40]
39	1801251	Aluminum Pivot Arm Rest Bracket
40	1801012	Rubber Bumper - Drilled - 4"
41	1801408*	Pivot Rest Hardware Bag
42	1809047*	Durabuilt™ Switch - 40 Amp - 12V
43	1800433*	Durabuilt™ Hardware Bag [Includes 4 of 49; 6 of 50]
44	1800443*	Solenoid Hardware Bag [Includes 51 & 52]
45	1800420*	Durabuilt™ Cable Assembly
46	1800440	Rocker Switch Bracket
47	1800575*	Circuit Breaker - 40 Amp - Marine Grade
48	1800602	Rocker Switch - 12V
49	1800927*	Ring Terminal - 6 Ga. x 3/8" Stud - Battery
50	1801544*	Ring Terminal - 6 Ga. x 1/4" Stud
51	1703845	Motor-Reversing Solenoid
52	1703896	Solenoid Cover
53	1800737*	Replacement Aluminum Roller Bar w/Shaft [Includes 14 & 21]

* These items are NOT shown in the drawing: numbered for future reference.

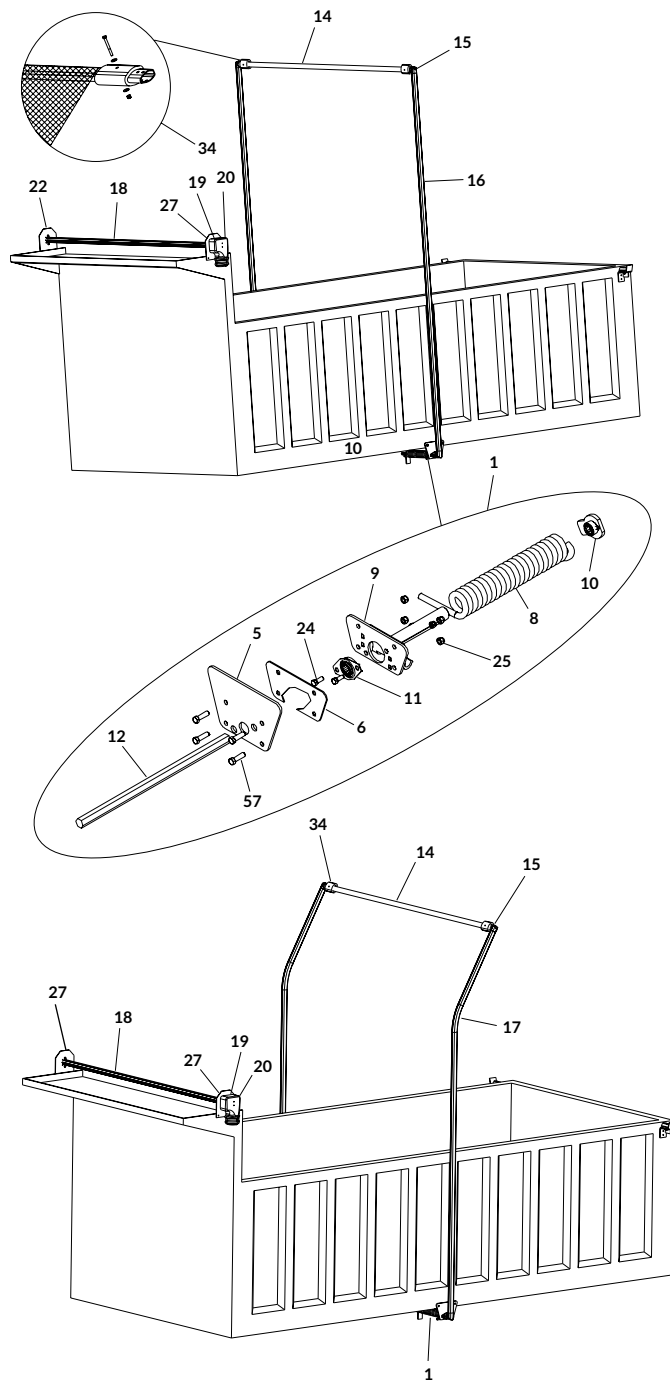
Continued to Next Page. ->

REPLACEMENT PARTS - FLASH™

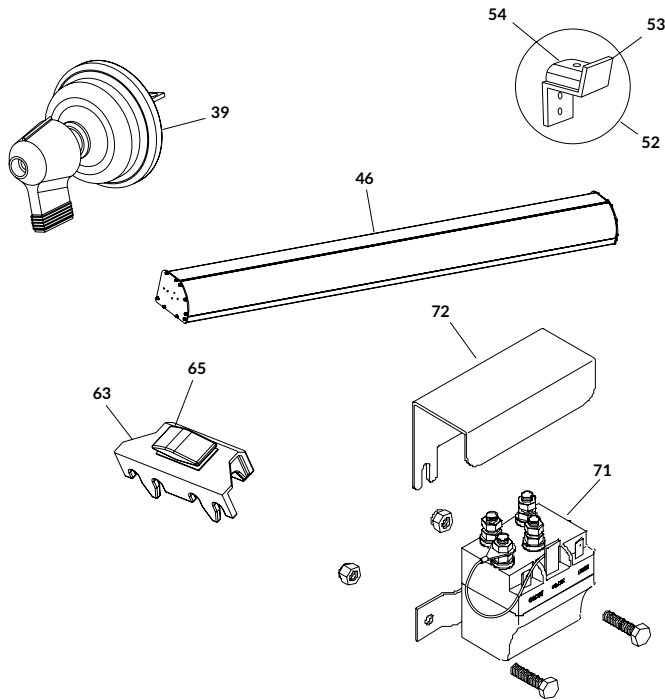
ARM ASSEMBLIES – UNDERBODY

ITEM	PART NO.	DESCRIPTION
1	1800963	Underbody Spring Assembly - 22 Coil - Left Side [Includes 5; 6; 8; 9; 10; 11; 12; 2 of 24 & 25]
2	1800965*	Underbody Spring Assembly - 22 Coil - Right Side [Includes 5; 6; 8; 9; 10; 11; 12; 2 of 24 & 25]
3	1808485*	Underbody Spring Sub-Assembly - 22 Coil - Left Side [Includes 8; 9; 10; 11; 12; 2 of 23 & 24]
4	1808486*	Underbody Spring Sub-Assembly - 22 Coil - Right Side [Includes 8; 9; 10; 11; 12; 2 of 24 & 25]
5	1800960	Universal Mounting Plate - Underbody
6	1801049	Spring Spacer Plate - Underbody
7	1801636*	Spring Pivot Connector
8	1800279	22-Coil Spring - Left Side
9	1800280	22-Coil Spring - Right Side
10	1800962	Retention Plate Weldment
11	1800967	Spring Lever Weldment - Underbody
12	1801243	Hex Bearing - 7/8" ID
13	1801299	Spring Hex Shaft - 20-1/2"
14	1801407*	Pivot Mount Hardware
15	1800300	Rear Cross Bar - Aluminum - 109"
16	1800597	Cast Elbow - 90°
17	1800421	Extrusion - Drilled - 150"
18	1800504	Pivot Arm - 30° Bend
19	1809330	Extruded Roller Bar
20	1802061	Direct-Drive Motor - 12V
21	1801585	Motor Cover - Chrome - 1 Pc.
22	1800028*	Dual-Conductor Wire - 8 Ga. - 60'
23	1802007*	Bearing Plate Assembly - Zinc [Includes 23; 27; 2 of 24, 25 & 26]
24	1800042*	Bearing - 3/4"
25	1800795	Hex Bolt - 3/8" x 1"
26	1800993	Lock Nut - 3/8"
27	1800994*	Flat Washer - 3/8"
28	1802000	Universal Bearing Plate - Zinc
29	1800980*	Shaft Extension - 3/4" x 4"
30	1800971*	Hex Bolt - 5/16" x 2-1/2"
31	1800990*	Lock Nut - 5/16"
32	1801568*	Head Assembly Hardware Bag
33	1800861*	Shaft Collar - 1-1/4"
34	1800089*	Shaft Collar - 3/4" Single
35	1808819	Bumper Kit - 6"
36	1800572*	Hex Bolt - 1/4" x 3-1/4"
37	1800699*	Hex Lock Nut - 1/4"
38	1800784*	Flat Washer - 1/4"
39	1802076*	Rotary Switch Assembly [Includes 39; 41; 42; 2 of 36, 37, 43, 44 & 45; 8 of 40]

* These items are NOT shown in the drawing: numbered for future reference.
Continued to Next Page. ->



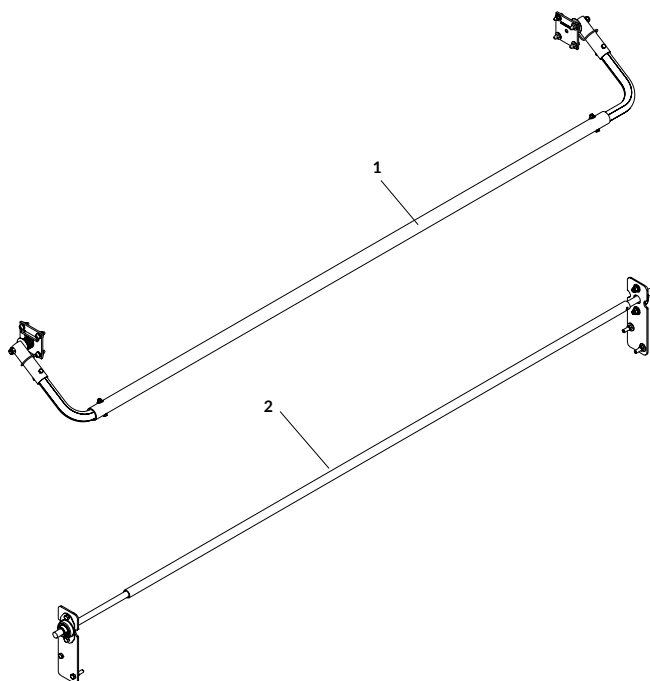
REPLACEMENT PARTS - FLASH™



ARM ASSEMBLIES – UNDERBODY | Continued

ITEM	PART NO.	DESCRIPTION
39	1110551	Heavy-Duty Rotary Switch
40	1800430*	Ring Terminal - 8 Ga. x 1/4" Stud
41	1800516*	Rotary Switch Bracket
42	1800536*	Circuit Breaker - 40 Amp
43	1800771*	Hex Bolt - 1/4" x 5/8"
44	1800802*	Sheet Metal Screw - #10 x 1"
45	1801486*	Ring Terminal - 8 Ga. x 3/8" Stud - Battery
		OPTIONS
46	1801062	Housing Shell - 96" ID [Includes 47; 2 of 48 & 49; 6 of 50]
	1801055	Housing Shell - 102" ID [Includes 47; 2 of 48 & 49; 6 of 50]
47	1800477*	Housing Deflector - 105-3/4"
48	1800505*	Housing Top Plate - 102"
49	1800571*	Housing End Plate
50	1800460*	Self-Threading Bolt - 5/16" x 1-1/4"
51	1801919*	Aluminum Wind Deflector - 1 Pc.
52	1801999	Aluminum Pivot Arm Rest - Qty 2 [Includes 58; 2 of 53, 54, 55, 56 & 57]
53	1801251	Aluminum Pivot Arm Rest Bracket
54	1801012	Rubber Bumper - Drilled - 4"
55	1800990*	Lock Nut - 5/16"
56	1800989*	Flat Washer - 5/16"
57	1800790*	Hex Bolt - 3/8" x 1-1/2"
58	1801408*	Pivot Rest Hardware Bag
59	1809047*	Durabuilt™ Switch - 40 Amp - 12V
60	1800433*	Durabuilt™ Hardware Bag [Includes 2 of 35 & 67; 4 of 42, 66, 68 & 70; 6 of 37 & 60]
61	1800443*	Solenoid Hardware Bag [Includes 71; 72]
62	1800420*	Durabuilt™ Cable Assembly
63	1800440	Rocker Switch Bracket
64	1800575*	Circuit Breaker - 40 Amp - Marine Grade
65	1800602	Rocker Switch - 12V
66	1800765*	Hex Nut - 5/16"
67	1800783*	Hex Bolt - 1/4" x 1-1/2"
68	1800787*	Lock Washer - 5/16"
69	1800927*	Ring Terminal - 6 Ga. x 3/8" Stud - Battery
70	1801544*	Ring Terminal - 6 Ga. x 1/4" Stud
71	1703845	Motor-Reversing Solenoid
72	1703896	Solenoid Cover
73	1800737*	Replacement Aluminum Roller Bar w/Shaft [Includes 18; 28]
74	1801636*	Hex Casting

* These items are NOT shown in the drawing; numbered for future reference.



HOLD-DOWNS

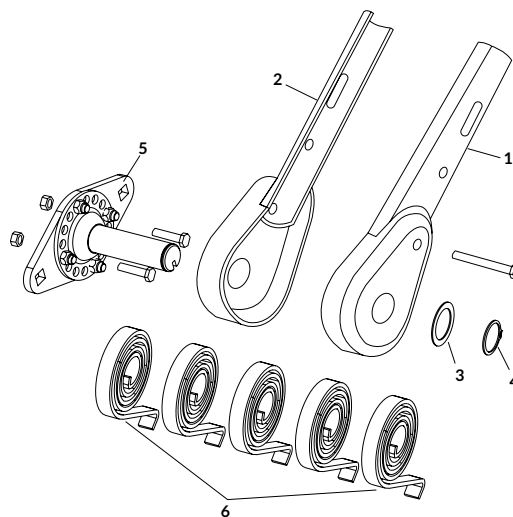
ITEM	PART NO.	DESCRIPTION
1	1128260	Spring Trap 2 Kit
2	1801490	Tarp Trap Hold-Down Kit

REPLACEMENT PARTS - FLASH™

SPRING ASSEMBLIES – CLAMSHELL

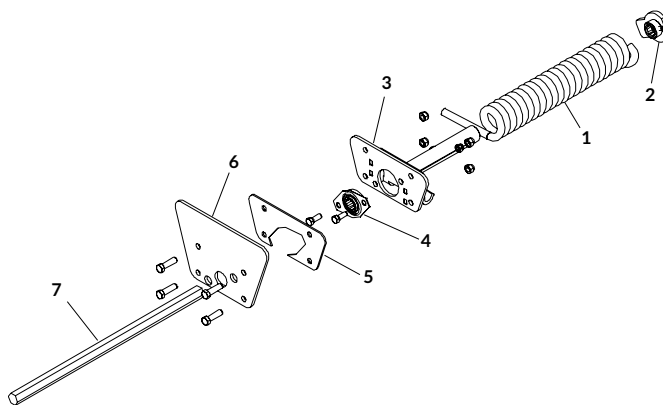
ITEM	PART NO.	DESCRIPTION
	1809708	Clamshell Pivot Spring Kit w/Base - Adjustable 5-Spring [Includes 2 of 1, 2, 3, 4, 5 & 7; 10 of 6]
	1801031	Pivot/Spring Hardware Bag [Includes 2 of 3, 4, 5 & 7; 10 of 6]
1	1800769	Clamshell Front Housing
2	1800934	Clamshell Back Housing
3	1800977	Shim - 1-1/4" ID x .047
4	1800978	Retaining Ring - 1-1/4"
5	1809825	Pivot Spring Assembly w/Base - Adjustable 5-Spring
6	1800763	Flat Coil Torsion Spring
7	1801407*	Pivot Mount Hardware

* These items are NOT shown in the drawing: numbered for future reference.

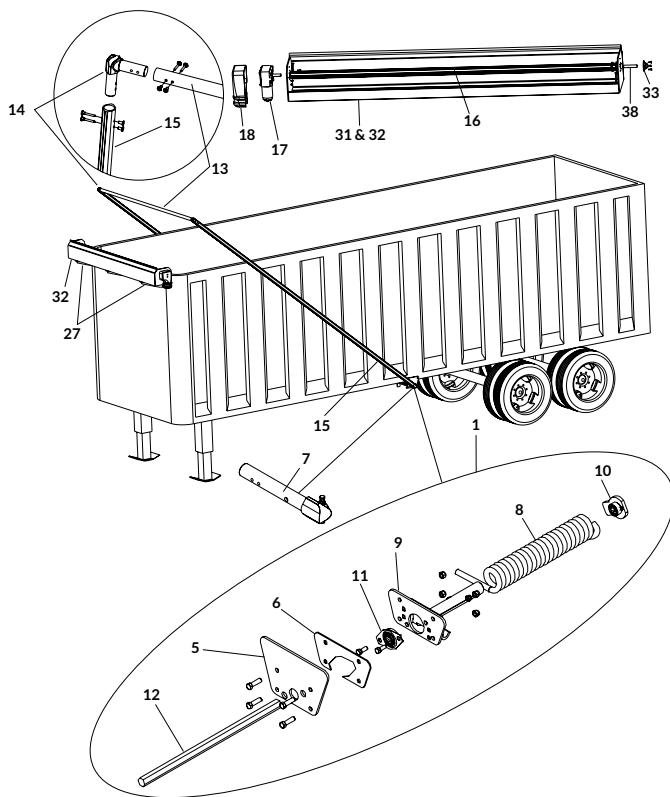


SPRING ASSEMBLIES – UNDERBODY

ITEM	PART NO.	DESCRIPTION
	1800963	Underbody Spring Assembly - 22 Coil - Left Side [Includes 4; 5; 6 & 7]
	1800965	Underbody Spring Assembly - 22 Coil - Right Side [Includes 4; 6 & 7]
	1808485	Underbody Spring Sub-Assembly - 22 Coil - Left Side [Includes 6 & 7]
	1808486	Underbody Spring Sub-Assembly - 22 Coil - Right Side [Includes 6 & 7]
1	1800279	22-Coil Spring - Left Side
	1800280	22-Coil Spring - Right Side
2	1800967	Spring Lever Weldment - Underbody
3	1800962	Retention Plate Weldment
4	1801243	Hex Bearing - 7/8" ID
5	1801049	Spring Spacer Plate - Underbody
6	1800960	Universal Mounting Plate - Underbody
7	1801299	Spring Hex Shaft - 20-1/2"



REPLACEMENT PARTS - FLASH™



TRAILERS 38' AND 41'*

ITEM	PART NO.	DESCRIPTION
1	1800963	Underbody Spring Assembly - 22 Coil - Left Side [Includes 5; 6; 8; 9; 10; 11; 12; 2 of 22 & 31]
	1801550	Underbody Spring Assembly - 14 Coil - Left Side [Includes 5; 6; 8; 9; 10; 11 & 12; 2 of 22 & 28]
2	1800965*	Underbody Spring Assembly - 22 Coil - Right Side [Includes 5; 6; 8; 9; 10; 11 & 12; 2 of 22 & 28]
	1801551*	Underbody Spring Assembly - 14 Coil - Right Side [Includes 5; 6; 8; 9; 10; 11 & 12; 2 of 22 & 28]
3	1808485*	Underbody Spring Sub-Assembly - 22 Coil - Left Side [Includes 8; 9; 10; 11 & 12; 2 of 22 & 28]
4	1808486*	Underbody Spring Sub-Assembly - 22 Coil - Right Side [Includes 8; 9; 10; 11 & 12; 2 of 22 & 28]
5	1800960	Universal Mounting Plate - Underbody
6	1801049	Spring Spacer Plate - Underbody
7	1801636*	Spring Pivot Connector
8	1800279	22-Coil Spring - Left Side
	1800280	22-Coil Spring - Right Side
	1801442	14-Coil Spring - Left Side
	1801438	14-Coil Spring - Right Side
9	1800962	Retention Plate Weldment
10	1800967	Spring Lever Weldment - Underbody
11	1801243	Hex Bearing - 7/8" ID
12	1801299	Spring Hex Shaft - 20-1/2"
13	1800300	Rear Cross Bar - Aluminum - 109"
14	1800597	Cast Elbow - 90°
15	1801241	Extrusion - Drilled - 109"
	1801542	Extrusion - 258-1/2"
16	1809330	Extruded Roller Bar
17	1704878	Durabuilt™ Motor w/Cover - 3-1/8" Shaft
18	1801585	Motor Cover - Chrome - 1 Pc.
19	1800650*	Dual-Conductor Wire - 8 Ga. (per foot)
20	1801567*	Contact Plate Assembly [Includes 21 & 22]
21	1801575*	Contact Plate Assembly - Base [Includes 23 & 26]
22	1801579*	Contact Base Assembly - Top [Includes 23; 24 & 26; 2 of 25]
23	1801572*	Contact Mounting Angle - Steel
24	1801573*	Contact Mounting Angle - Aluminum
25	1801574*	Brass Tab
26	1801583*	Contact Pad - UHMW
27	1800574	Aluminum Housing Bracket
28	1808819*	Tarp Stop - Rubber - 6"
29	1800370*	Front Brace
30	1801377*	Connector - HD Trailer
31	1801055*	Aluminum Housing w/Top - 102"
32	1801062	Aluminum Housing w/o Top - 96"
33	1801950	Reversed Bearing Flange
34	1801999*	Aluminum Pivot Arm Rest - Qty 2 [Includes 37; 2 of 36]
35	1801251*	Aluminum Pivot Arm Rest Bracket
36	1801012*	Rubber Bumper - Drilled - 4"
37	1801408*	Pivot Rest Hardware Bag
38	1801204	Shaft Extension - 3/4" x 6"
39	1802076*	Rotary Switch Assembly [Includes 41 & 42; 2 of 43; 8 of 40]
40	1110551*	Heavy-Duty Rotary Switch
41	1800430*	Ring Terminal - 8 Ga. x 1/4" Stud
42	1800516*	Rotary Switch Bracket
43	1800536*	Circuit Breaker - 40 Amp
44	1801486*	Ring Terminal - 8 Ga. x 3/8" Stud - Battery

TRAILERS 38' AND 41'* | Continued

ITEM	PART NO.	DESCRIPTION
		OPTIONS
45	1809047*	Durabuilt™ Switch - 40 Amp - 12V
46	1800433*	Durabuilt™ Hardware Bag [Includes 4 of 43 & 53; 6 of 52]
47	1800443*	Solenoid Hardware Bag [Includes 54 & 55]
48	1800420*	Durabuilt™ Cable Assembly
49	1800440*	Rocker Switch Bracket
50	1800575*	Circuit Breaker - 40 Amp - Marine Grade
51	1800602*	Rocker Switch - 12V
52	1800927*	Ring Terminal - 6 Ga. x 3/8" Stud - Battery
53	1801544*	Ring Terminal - 6 Ga. x 1/4" Stud
54	1800418*	Solenoid Switch - 12V
55	1800429*	Solenoid Cover
56	1800737*	Replacement Aluminum Roller Bar w/Shaft [Includes 16]

* These items are NOT shown in the drawing: numbered for future reference.
Note: Formerly known as the Long Arm Series.

* These items are NOT shown in the drawing: numbered for future reference.
Note: Formerly known as the Long Arm Series.

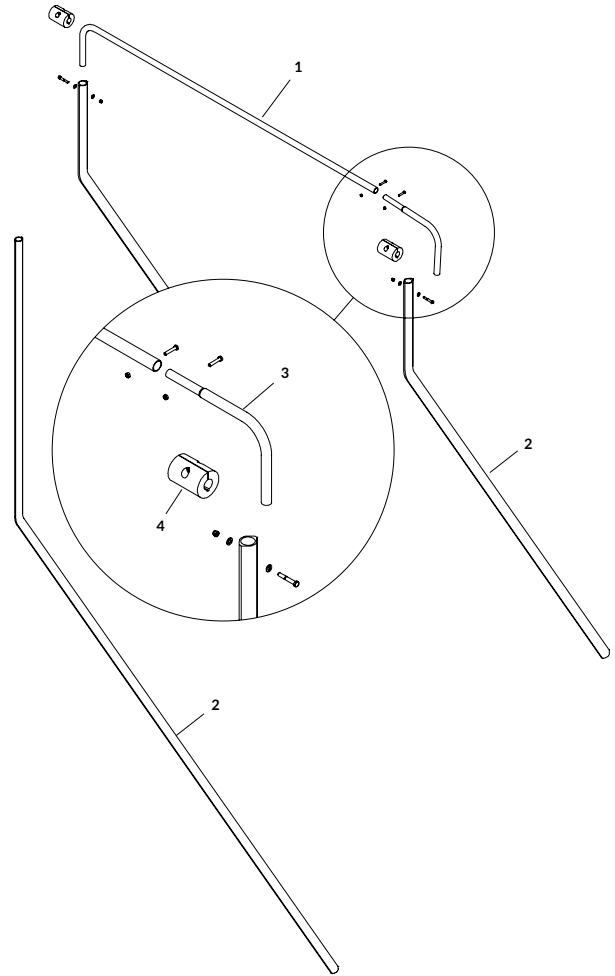
REPLACEMENT PARTS - ARM-MATIC™

ARM ASSEMBLIES – ALUMINUM

ITEM	PART NO.	DESCRIPTION
	1120258	Aluminum Return Arm Kit - 10' w/2' Bend [Includes 1; 3; 2 of 2 & 4]
	1120259	Aluminum Return Arm Kit - 12' w/2' Bend [Includes 1; 3; 2 of 2 & 4]
	1120260	Aluminum Return Arm Kit - 14' w/2' Bend [Includes 1; 3; 2 of 2 & 4]
	1123007	Aluminum Return Arm Kit - 20' w/7' Bend [Includes 1; 3; 2 of 2 & 4]
	1120261	Aluminum Return Arm Kit - 16' [Includes 1; 3; 2 of 2 & 4]
	1120262	Aluminum Return Arm Kit - 18' [Includes 1; 3; 2 of 2 & 4]
	1120263	Aluminum Return Arm Kit - 20' [Includes 1; 3; 2 of 2 & 4]
	1125316	Arm/Spring Kit - 4-Spring - 10' Arms w/2' Bend [Includes *, 1; 3; 2 of 2 & 4]
	1125317	Arm/Spring Kit - 4-Spring - 12' Arms w/2' Bend [Includes *, 1; 3; 2 of 2 & 4]
	1125318	Arm/Spring Kit - Underrail - 12' Arms w/2' Bend [Includes **, 1; 3; 2 of 2 & 4]
	1125416	Tarp Tube Crossover Kit
1	1118951	Tarp Tube Crossover
2	1704465	Aluminum Return Arm - 10' w/2' Bend
	1704466	Aluminum Return Arm - 12' w/2' Bend
	1704467	Aluminum Return Arm - 14' w/2' Bend
	1808550	Aluminum Return Arm - 20' w/7' Bend
	1121531	Aluminum Return Arm - 10'
	1704486	Aluminum Return Arm - 16'
	1704487	Aluminum Return Arm - 18'
	1704488	Aluminum Return Arm - 20'
3	1118952	Tarp Tube Elbow
4	1704458	Rubber Bumper - 3-1/4" x 4-1/2"

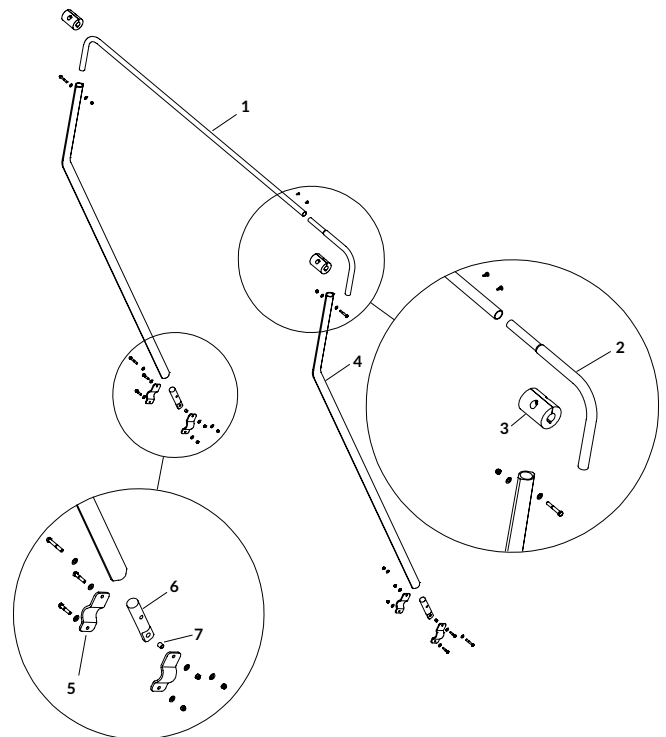
*Includes 4-spring pivot kit P/N 1119441.

**Includes underbody spring kit P/N 1118956.

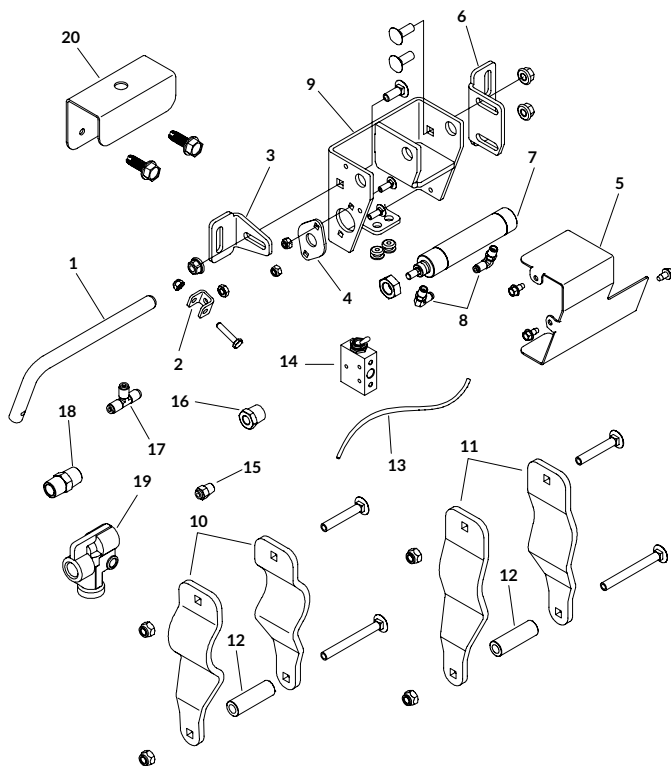


ARM ASSEMBLIES – TENSION

ITEM	PART NO.	DESCRIPTION
	1120129	Tension Arm Kit - 10' Arm [Includes 1; 2; 2 of 3, 4, 6, & 7; 4 of 5]
	1120130	Tension Arm Kit - 12' Arm [Includes 1; 2; 2 of 3, 4, 6, & 7; 4 of 5]
	1120131	Tension Arm Kit - 14' Arm [Includes 1; 2; 2 of 3, 4, 6, & 7; 4 of 5]
1	1118951	Tarp Tube Crossover
2	1118952	Tarp Tube Elbow
3	1704458	Rubber Bumper - 3-1/4" x 4-1/2"
4	1704465	Aluminum Return Arm - 10' w/2' Bend
	1704466	Aluminum Return Arm - 12' w/2' Bend
	1704467	Aluminum Return Arm - 14' w/2' Bend
5	1120104	Arm Pivot Clamp Bracket
6	1704642	Arm Pivot Connector
7	1704643	Bushing - 9/16" x 9/16"



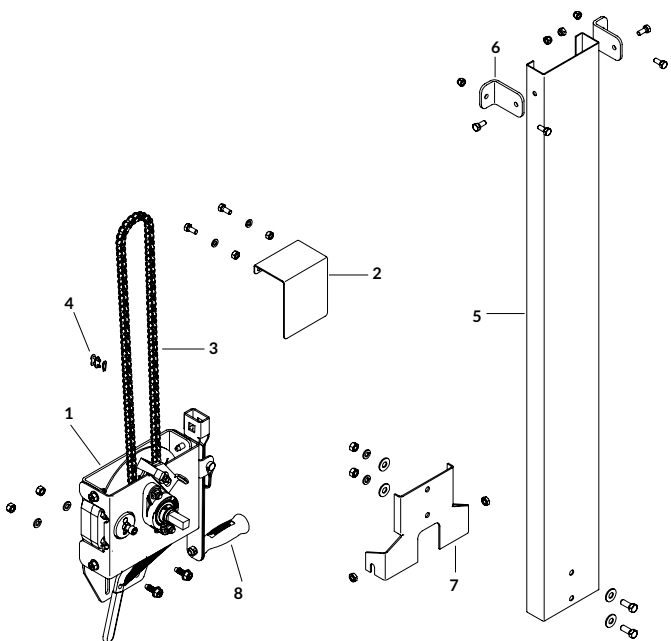
REPLACEMENT PARTS - ARM-MATIC™



ARM ASSEMBLIES — ARM-LOK™

ITEM	PART NO.	DESCRIPTION
	1125250	Arm-Lok™ Kit - Trucks [Includes 14; 16; 18; 19; 20; 2 of 1, 2, 3, 5, 6, 7, 9, 12 & 17; 4 of 8, 10 or 11 & 15; 120ft of 13]
	1125800*	Arm-Lok™ Kit - Trailers
	1125251	Arm-Lok™ Assembly - Right Side [Includes 1; 2; 3; 4; 5; 6; 7 & 9; 2 of 8]
	1125261	Arm-Lok™ Assembly - Left Side [Includes 1; 2; 3; 4; 5; 6; 7 & 9; 2 of 8]
1	1125256	Arm-Lok™ Pin
2	1125260	Cylinder Rod Clevis
3	1125259	Lock Housing Mounting Bracket
4	1125257	Cylinder Mounting Plate
5	1125255	Housing Cover - Left Side
	1125265	Housing Cover - Right Side
6	1125258	Housing Mounting Bracket - Left Side
	1125266	Housing Mounting Bracket - Right Side
7	1705600	Air Cylinder - Double Acting
8	1705590	Air Fitting - 90° Swivel - 5/32" x 1/8"
9	1125252	Housing - Left Side
	1125262	Housing - Right Side
10	1125270	Anchor Bracket - Arm-Matic™/Flash™
11	1125989	Anchor Bracket - Bullet™
12	1125274	Anchor Catch Sleeve - 2"
13	1705585	Air Brake Tube - 5/32"
14	1705586	Toggle Valve - 2 Position - 4 Way
15	1705589	Air Fitting - 5/32" x 1/8"
16	1705591	Hex Bushing Adapter - 3/8" x 1/8"
17	1705588	Air Fitting - Union Tee - 5/32"
18	1705593	Hex Nipple Adapter - 3/8" x 3/8"
19	1705587	Pressure Protection Valve - 70 PSI
20	1125267	Valve Mounting Bracket

*For the Arm-Lok™ Trailer version P/N 1125800 replacement parts, please CALL for pricing.



CRANK RELOCATORS

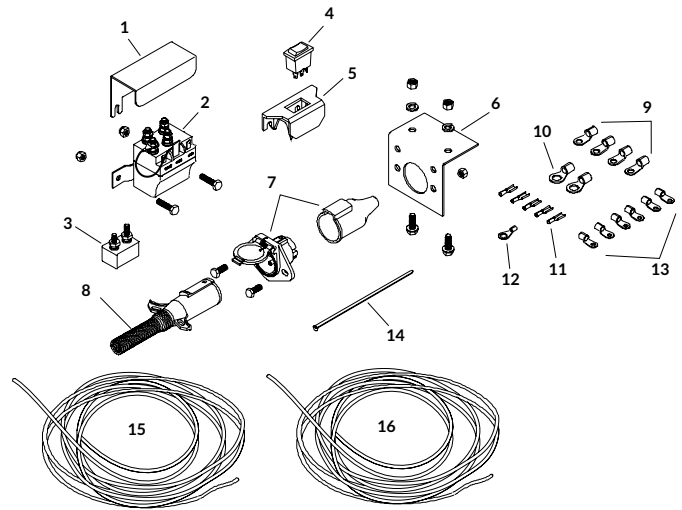
ITEM	PART NO.	DESCRIPTION
	1120350*	Manual Crank Relocator Kit [Includes 1; 2; 3 & 4]
	1120465	Full Length Chain Guard Kit [Includes 5; 7; 2 of 6 (short)]
1	1120349	Chain Drive Crank Assembly
2	1120378	Chain Guard
3	1109179	Roller Chain Assembly - 14'
4	1701057	Chain Connector Link
5	1120399	Chain Guard - Full Length
6	1120380	Chain Guard Bracket
	1120397	Chain Guard Bracket - Short
7	1120379	Chain Guard Base Bracket
8	1120348	Crank Handle Assembly

* Does NOT include upper bearing or sprocket.

REPLACEMENT PARTS - ARM-MATIC™

ELECTRICS — ROCKER SWITCH WIRING

ITEM	PART NO.	DESCRIPTION
	1121526	Cab Wiring Kit - 50 Amp - Rocker - 20' [Includes 1; 2; 3; 4; 5; 8; 12; 15; 16; 2 of 10; 4 of 9; 5 of 11; 6 of 13; 16 of 14]
	1122940	Cab Wiring Kit - 50 Amp - Rocker - 30'
	1116271	Electrical Parts Kit w/Rocker Switch - 50 Amp Modified [Includes 1; 2; 3; 4; 5; 12; 2 of 10; 4 of 9; 5 of 11; 6 of 13]
	1109016	Two-Pole Connector w/Hardware - Vertical Pin [Includes 6; 7; 8 & 14]
1	1703896	Solenoid Cover
2	1703845	Motor-Reversing Solenoid
3	1703480	50-Amp Auto-Reset Circuit Breaker
4	1116020	Rocker Switch
5	1703661	Rocker Switch Mounting Bracket
6	1109015	Conductor Plug Mounting Bracket
7	1119557	Heavy-Duty Dual-Conductor Socket w/Boot - Vert. Pin
8	1115385	Heavy-Duty Dual-Conductor Plug - Vertical Pin
	1705746	Universal Plug
9	1703245	Ring Terminal - 6 Ga. x #10 Stud - Motor/Breaker
10	1703244	Ring Terminal - 6 Ga. x 3/8" Stud - Battery
11	1703659	Push-On Terminal - 14 Ga. x 1/4" - Switch/Solenoid
12	1704153	Ring Terminal - 14 Ga. x 1/4" Stud - Solenoid
13	1702707	Ring Terminal - 6 Ga. x 1/4" Stud - Motor/Solenoid
14	1703231	Cable Tie - 8"
15	1119078	Dual-Conductor Wire - 6 Ga. - 20'
	1118495	Dual-Conductor Wire - 6 Ga. - 30'
	1703822	Dual-Conductor Wire - 6 Ga. (per foot)
16	1116482	Electrical Wire - 14 Ga. Lead - 15'

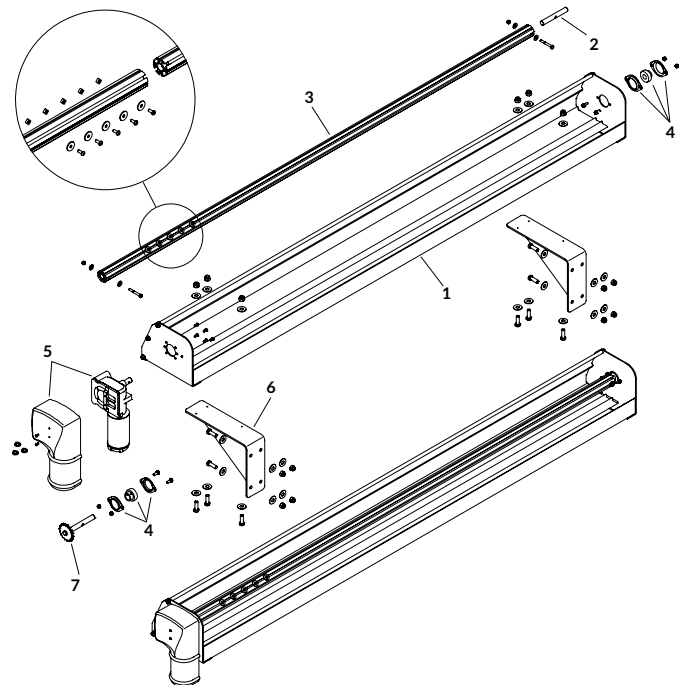


FRONT DRIVES — ALUMINUM HOUSING/SUPPORT BRACKETS

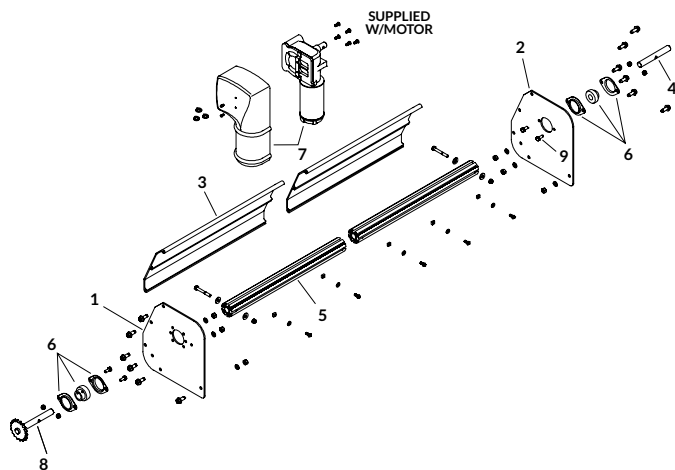
ITEM	PART NO.	DESCRIPTION
	1119082	Aluminum Electric Tarp Housing - 98" [Includes 1; 2; 3; 4 & 5]
	1119088	Aluminum Electric Tarp Housing - 104" [Includes 1; 2; 3; 4 & 5]
	1120371	Aluminum Manual Tarp Housing - 98" [Includes 1; 2; 3 & 7]
	1120372	Aluminum Manual Tarp Housing - 104" [Includes 1; 2; 3 & 7]
1	1119083	Aluminum Tarp Housing - 98"
	1119089	Aluminum Tarp Housing - 104"
2	1114940	Tarp Axle Stub Shaft
3	1115614	Threaded Tarp Axle - 97"
	1119086	Threaded Tarp Axle - 103"
4	1703374	Radial Ball Bearing w/Flanges
5	1704878	Durabuilt™ Motor w/Cover - 3-1/8" Shaft
6	1119092*	Tarp Housing Support Bracket
7	1117093**	Sprocket - Left Side

* Tarp housing support bracket is optional; must be ordered as add-on to kits.

**Sprocket is used with housing/support brackets option only.



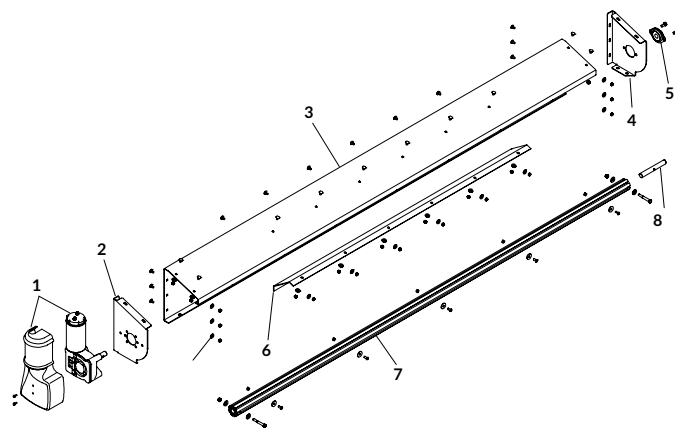
REPLACEMENT PARTS - ARM-MATIC™



FRONT DRIVES – ALUMINUM SIDE PLATE/WINDSHIELD

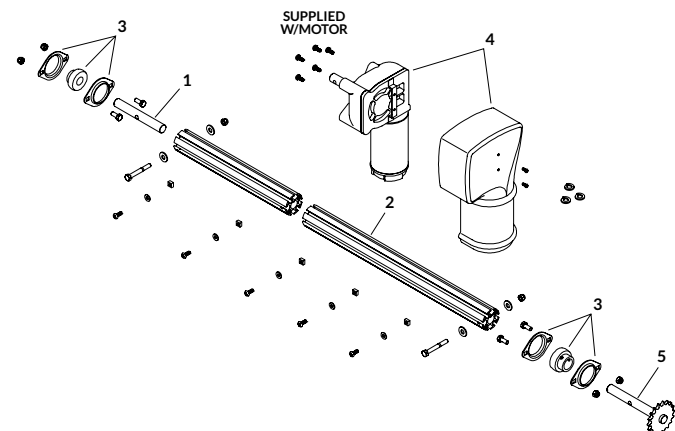
ITEM	PART NO.	DESCRIPTION
	1120265	Front Drive w/Side Plates/Windshield Kit - 98" [Includes 1; 2; 3; 4; 5; 6 & 7]
	1120266	Front Drive w/Side Plates/Windshield Kit - 104" [Includes 1; 2; 3; 4; 5; 6 & 7]
	1120267	Windshield w/Side Plates Kit - 98" [Includes 1; 2 & 3]
	1120268	Windshield w/Side Plates Kit - 104" [Includes 1; 2 & 3]
1	1119080	Tarp Axle Side Plate - Left Side
2	1119081	Tarp Axle Side Plate - Right Side
3	1704484	Aluminum Windshield - 98"
	1704485	Aluminum Windshield - 104"
4	1114940	Tarp Axle Stub Shaft
5	1114961	Threaded Tarp Axle w/Hole
6	1703374	Radial Ball Bearing w/Flanges
7	1704878	Durabuilt™ Motor w/Cover - 3-1/8" Shaft
8	1120376	Sprocket - Driver Side

* Sprocket is used with the side plates/windshield or through cab protector options.



FRONT DRIVES – STEEL HOUSING

ITEM	PART NO.	DESCRIPTION
	1125420	Steel Electric Tarp Housing - 92" [Includes 1; 2; 3; 4; 5; 6; 7; & 8]
	1125422	Steel Electric Tarp Housing - 96" [Includes 1; 2; 3; 4; 5; 6; 7; & 8]
	1125425	Steel Electric Tarp Housing - 102" [Includes 1; 2; 3; 4; 5; 6; 7; & 8]
	1125419	Steel Tarp Housing - 92" [Includes 2; 3; 4 & 5]
	1125421	Steel Tarp Housing - 96" [Includes 2; 3; 4 & 5]
	1125424	Steel Tarp Housing - 102" [Includes 2; 3; 4 & 5]
1	1704878	Durabuilt™ Motor w/Cover - 3-1/8" Shaft
2	1125417	Tarp Housing Bracket - Left Side
3	1121557	Tarp Housing Shield - 92"
	1121319	Tarp Housing Shield - 96"
	1121320	Tarp Housing Shield - 102"
4	1125418	Tarp Housing Bracket - Right Side
5	1703374	Radial Ball Bearing w/Flanges
6	1121321	Tarp Housing Shield Brace
7	1115613	Threaded Tarp Axle - 91"
	1125423	Threaded Tarp Axle - 95"
	1125426	Threaded Tarp Axle - 101"
8	1114940	Tarp Axle Stub Shaft



FRONT DRIVES – THRU-CAB PROTECTOR

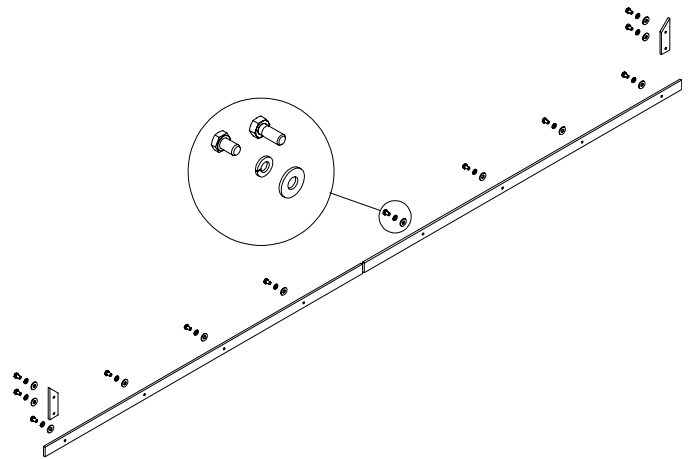
ITEM	PART NO.	DESCRIPTION
	1120264	Front Drive - Thru Cab Protector Kit [Includes 1; 2; 3 & 4]
1	1114940	Tarp Axle Stub Shaft
2	1114961	Threaded Tarp Axle w/Hole
3	1703374	Radial Ball Bearing w/Flanges
4	1704878	Durabuilt™ Motor w/Cover - 3-1/8" Shaft
5	1120376*	Sprocket - Driver Side

* Sprocket is used with the side plates/windshield or thru-cab protector options.

REPLACEMENT PARTS - ARM-MATIC™

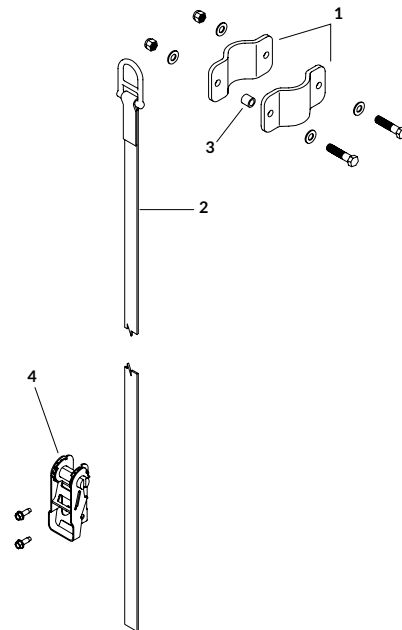
MOUNTING STRIPS – STEEL HOUSING ONLY

ITEM	PART NO.	DESCRIPTION
	1121366	Housing Mounting Strip Kit - Aluminum - 96"
	1121387	Housing Mounting Strip Kit - Aluminum - 102"
	1121365	Housing Mounting Strip Kit - Steel - 96"
	1121386	Housing Mounting Strip Kit - Steel - 102"

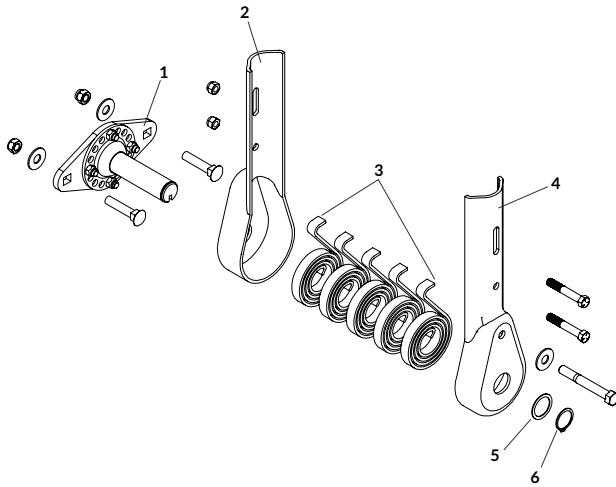


RETURN ARM HOLD-DOWNS

ITEM	PART NO.	DESCRIPTION
	1120389	Arm Hold-Down Kit [Includes 2 of 2 & 3; 4 of 1 & 4]
1	1120388	Arm Anchor Clamp Bracket
2	1120390	Hold-Down Strap Assembly
3	1704643	Bushing - 9/16" x 9/16"
4	1700836	Ratchet - 1" Web

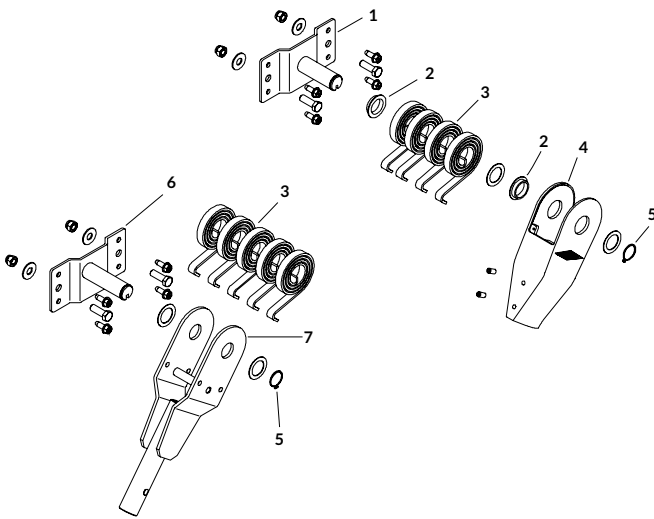


REPLACEMENT PARTS - ARM-MATIC™



SPRING ASSEMBLIES — CLAMSHELL PIVOT/STEEL HOUSING ONLY

ITEM	PART NO.	DESCRIPTION
	1809708	Clamshell Pivot Spring Kit w/Base - Adjustable 5-Spring [Includes 2 of 1, 2, 4, 5 & 6; 10 of 3]
1	1809825	Pivot Spring Assembly w/Base - Adjustable 5-Spring
2	1800934	Clamshell Back Housing
3	1111027	Spiral Torsion Spring
4	1800769	Clamshell Front Housing
5	1800977	Shim - 1-1/4" ID x .047
6	1800978	Retaining Ring - 1-1/4"



SPRING ASSEMBLIES — EXTERNAL PIVOT

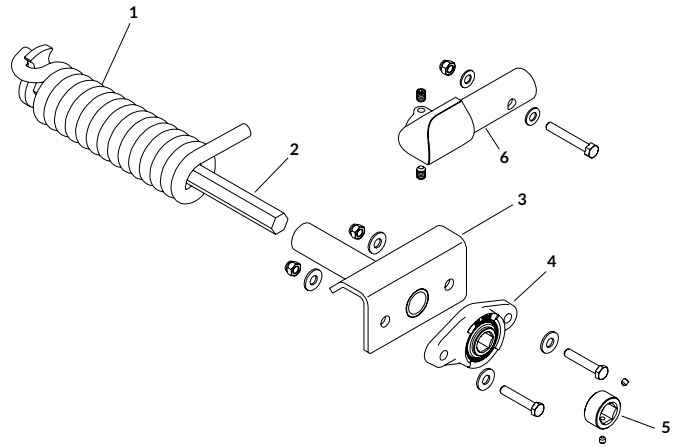
ITEM	PART NO.	DESCRIPTION
	1119441	4-Spring Pivot Kit [Includes 2 of 1, 4 & 5; 4 of 2; 8 of 3]
	1119096	4-Spring Pivot Assembly - Left Side [Includes 1; 4 & 5; 2 of 2; 4 of 3]
	1119097	4-Spring Pivot Assembly - Right Side [Includes 1; 4 & 5; 2 of 2; 4 of 3]
	1119442	5-Spring Pivot Kit [Includes 2 of 5; 6 & 7; 10 of 3]
	1119105	5-Spring Pivot Assembly - Left Side [Includes 5; 6 & 7; 2 of 37]
	1119106	5-Spring Pivot Assembly - Right Side [Includes 5; 6 & 7; 2 of 37]
	1118948	Spring Pivot Hardware
1	1119098	4-Spring Pivot Bracket
2	1704468	Flange Bushing
3	1111027	Spiral Torsion Spring
4	1704474	4-Spring Pivot Connector
5	1702888	Retaining Ring - 1-1/4"
6	1116994	Pivot Bracket - Sloped - Gate Flex™
7	1118950	5-Spring Pivot Connector

REPLACEMENT PARTS - ARM-MATIC™

SPRING ASSEMBLIES – UNDERBODY HEX SHAFT (Through Rail)

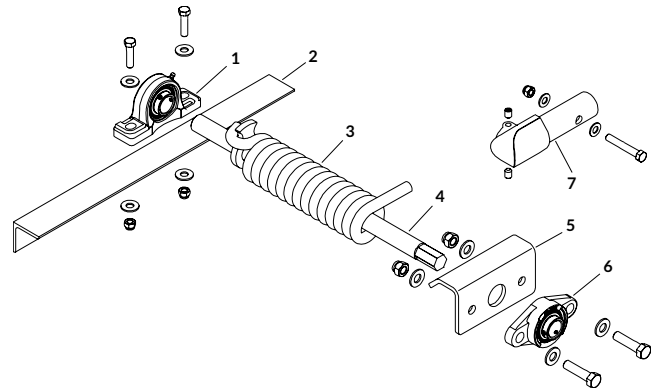
ITEM	PART NO.	DESCRIPTION
	1118956	Underbody Hex Shaft Spring Kit [Includes 2 of 1; 2; 3; 4; 5 & 6]
	1119566	Underbody Hex Shaft Spring Kit - Left Side [Includes 1; 2; 3; 4 & 5]
	1119567	Underbody Hex Shaft Spring Kit - Right Side [Includes 1; 2; 3; 4 & 5]
1	1704476	Torsion Spring - Left Side
	1704477	Torsion Spring - Right Side
2	1704480	Spring Shaft - 14.88"
3	1118955	Spring Retainer Weldment
4	1704456	Flange Bearing - 7/8"
5	1704489	Locking Collar - 7/8"
6	1119112	Spring Pivot Connector w/Set Screw

NOTE: Use for systems up to 29'.



SPRING ASSEMBLIES – UNDERBODY HEX ROUND SHAFT (Through Rail)

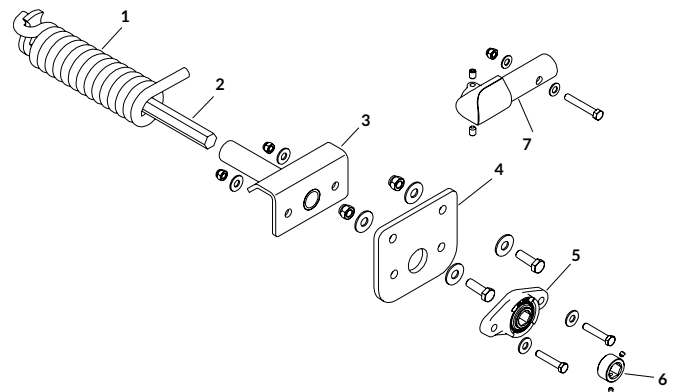
ITEM	PART NO.	DESCRIPTION
	1120229	Underbody Spring Kit - Left Side - Hex/Round Shaft [Includes 1; 3; 4; 5 & 6]
	1120230	Underbody Spring Kit - Right Side - Hex/Round Shaft [Includes 1; 3; 4; 5 & 6]
1	1119559	Pillow Block Bearing - 1"
2	1119330	Bearing Support Angle - 20"
3	1704476	Torsion Spring - Left Side
	1704477	Torsion Spring - Right Side
4	1704472	Spring Shaft - 1" OD x 19"
5	1119329	Spring Retainer Bracket
6	1119560	Flange Bearing - 1" OD - 2 Bolt
7	1119112	Spring Pivot Connector w/Set Screw



SPRING ASSEMBLIES – UNDERRAIL HEX SHAFT

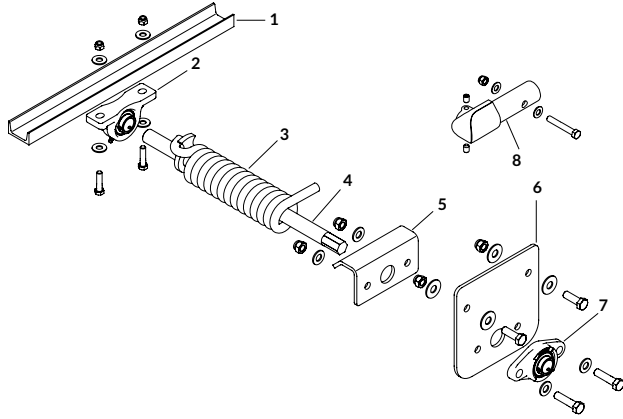
ITEM	PART NO.	DESCRIPTION
	1120227	Underrail Spring Kit - Left Side - Hex Shaft [Includes 1; 2; 3; 4; 5 & 6]
	1120228	Underrail Spring Kit - Right Side - Hex Shaft [Includes 1; 2; 3; 4; 5 & 6]
1	1704476	Torsion Spring - Left Side
	1704477	Torsion Spring - Right Side
2	1704480	Spring Shaft - 14.88"
3	1118955	Spring Retainer Weldment
4	1119107	Drop Plate
5	1704456	Flange Bearing - 7/8"
6	1704489	Locking Collar - 7/8"
7	1119112	Spring Pivot Connector w/Set Screw

NOTE: Use for systems up to 29'.

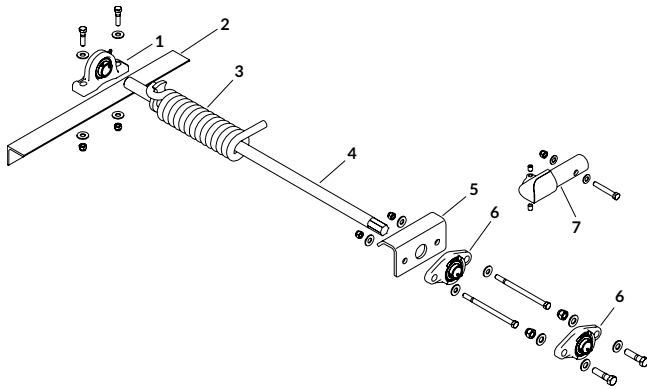


REPLACEMENT PARTS - ARM-MATIC™

SPRING ASSEMBLIES – UNDERRAIL HEX ROUND SHAFT



ITEM	PART NO.	DESCRIPTION
	1120231	Underrail Spring Kit - Left Side - Hex/Round Shaft [Includes 2; 3; 4; 5; 6 & 7]
	1120232	Underrail Spring Kit - Right Side - Hex/Round Shaft [Includes 2; 3; 4; 5; 6 & 7]
1	1119564	Steel Bearing Support Channel
	1119565	Aluminum Bearing Support Channel
2	1119559	Pillow Block Bearing - 1"
3	1704476	Torsion Spring - Left Side
	1704477	Torsion Spring - Right Side
4	1704472	Spring Shaft - 1" OD x 19"
5	1119329	Spring Retainer Bracket
6	1119110	Spring Hanger Plate
7	1119560	Flange Bearing - 1" OD - 2 Bolt
8	1119112	Spring Pivot Connector w/Set Screw

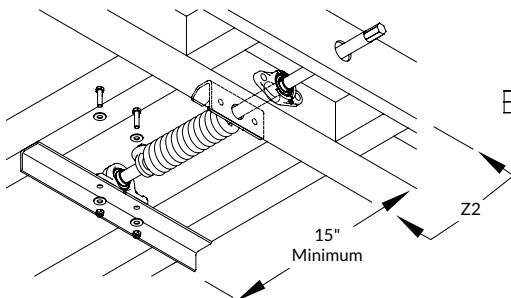


UNDERBODY ASSEMBLIES – FRAMELESS (Through Rail)

ITEM	PART NO.	DESCRIPTION
	1120233	Underbody Spring Kit - Left Side - Hex/Round Shaft - 27" [Includes 1; 3; 4 & 5; 2 of 6]
	1120234	Underbody Spring Kit - Right Side - Hex/Round Shaft - 27" [Includes 1; 3; 4 & 5; 2 of 6]
	1120235	Underbody Spring Kit - Left Side - Hex/Round Shaft - 24" [Includes 1; 3; 4 & 5; 2 of 6]
	1120236	Underbody Spring Kit - Right Side - Hex/Round Shaft - 24" [Includes 1; 3; 4 & 5; 2 of 6]
	1120237	Underbody Spring Kit - Left Side - Hex/Round Shaft - 31" [Includes 1; 3; 4 & 5; 2 of 6]
	1120238	Underbody Spring Kit - Right Side - Hex/Round Shaft - 31" [Includes 1; 3; 4 & 5; 2 of 6]
1	1119559	Pillow Block Bearing - 1"
2	1119330	Bearing Support Angle - 20"
3	1704476	Torsion Spring - Left Side
	1704477	Torsion Spring - Right Side
4	1704478	Spring Shaft - 1" x 27"
	1704473	Spring Shaft - 1" x 24"
	1704479	Spring Shaft - 1" x 31"
5	1119329	Spring Retainer Bracket
6	1119560	Flange Bearing - 1" OD - 2 Bolt
7	1119112	Spring Pivot Connector w/Set Screw

INTERIOR SUPPORT RAIL - 24", 27" or 31" SHAFTS

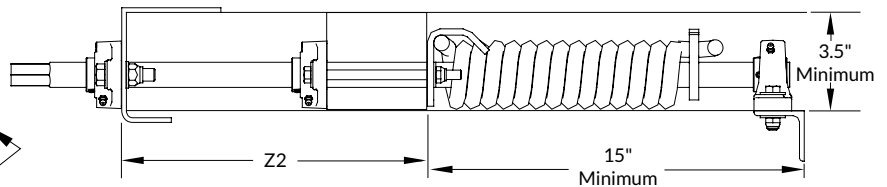
Mounts in between trailer support members – see figure below for minimum space required.



If Z2 is 5.5" or less, use a 24" extended shaft (P/N 1704473).

If Z2 is between 6" and 8.5", use a 27" extended shaft (P/N 1704478).

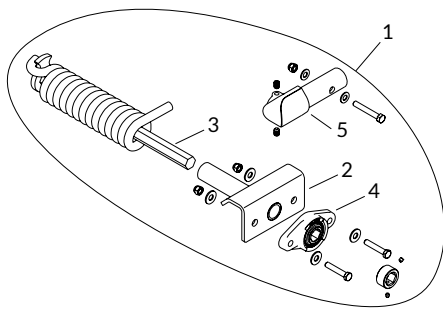
If Z2 is between 9" and 12.5", use a 31" extended shaft (P/N 1704479).



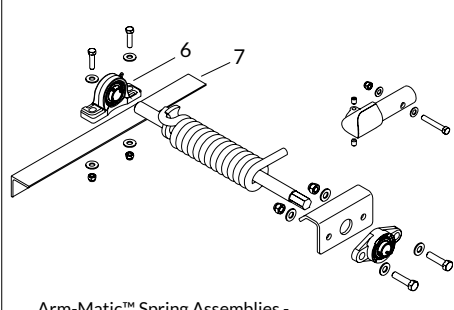
COMPETITOR CROSS REFERENCE

FLIP ARM SYSTEMS FOR MOUNTAIN TARP BRAND

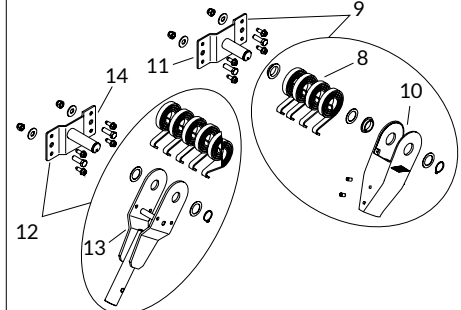
DONOVAN® BRAND			MOUNTAIN TARP BRAND		
ITEM	P/N	DESCRIPTION		P/N	DESCRIPTION
1	1119566	Underbody Hex Shaft Spring Kit Left Side	REPLACES	K0208	Complete Hex Round Driver Side w/o Arm Connector
	1119567	Underbody Hex Shaft Spring Kit Right Side	REPLACES	K0207	Complete Hex Round Passenger Side w/o Arm Connector
2	1118955	Spring Retainer Weldment	REPLACES	K0193	Hex Spring Retainer
3	1704480	Spring Shaft 14.88" Hex	REPLACES	K0522C	Hex Coldroll w/Clip
4	1704456	Flange Bearing 7/8" Hex	REPLACES	K0514H	Hex Flange Bear 7/8"
5	1119112	Spring Pivot Connector w/Set Screw	REPLACES	K0416N	Arm Connector Hex
6	1119559	Pillow Block Bearing 1" Round	REPLACES	K0520	Pillow Block Bearing 1" Round
7	1119330	Pillow Block Support	REPLACES	15-12-0024	2" x 2" x 19" Aluminum C-Channel
8	1111027	Spiral Torsion Spring 1-1/4" Pins	REPLACES	K0199	Spiral Spring Each
9	1119096	4-Spring Pivot Assembly Left Side	REPLACES	K0260C	Driver Side 4-Spring Assembly
	1119097	4-Spring Pivot Assembly Right Side	REPLACES	K0261C	Pass Side 4-Spring Assembly
10	1704474	4-Spring Pivot Connector	REPLACES	K0134A	4-Spring Arm Plug Only
11	1119098	4-Spring Pivot Bracket	REPLACES	K0256	4-Spring Mounting Bracket
12	1119105	5-Spring Pivot Assembly Left Side	REPLACES	K0260	5-Spring Assembly Driver Side
	1119106	5-Spring Pivot Assembly Right Side	REPLACES	K0261	5-Spring Assembly Passenger Side
13	1118950	5-Spring Pivot Connector	REPLACES	K0134	5-Spring Arm Plug (Welded Arm)
14	1116994	5-Spring Pivot Bracket	REPLACES	K0257	5-Spring Mounting Bracket



Arm-Matic™ Spring Assemblies - Underbody Hex Shaft

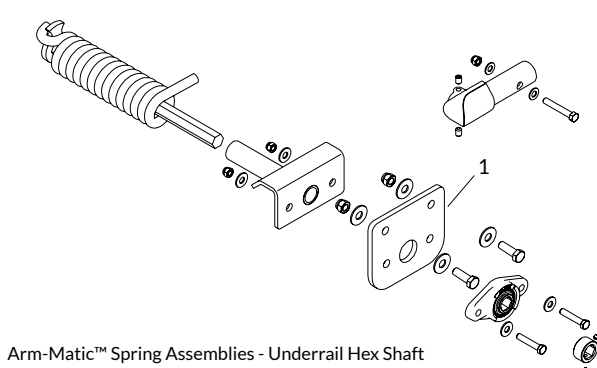


Arm-Matic™ Spring Assemblies - Underbody Hex/Round Shaft

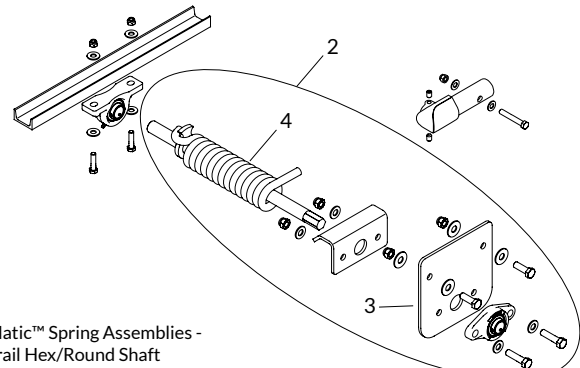


Arm-Matic™ Spring Assemblies - External Pivot

DONOVAN® BRAND			MOUNTAIN TARP BRAND		
ITEM	P/N	DESCRIPTION		P/N	DESCRIPTION
1	1119107	Drop Plate Each	REPLACES	K0188	Drop Plate Cast Alum. Each
2	1120231	Underrail Hex Round Left w/ Connector & Drop Plate	REPLACES	K0269HRA	Complete Hex Round Underrail Driver w/ Arm Connector
	1120232	Underrail Hex Round Right w/Connector & Drop Plate	REPLACES	K0270HRA	Complete Hex Round Underrail Passenger w/Arm Connector
3	1119110	Spring Hanger Plate Each	REPLACES	K0192	Drop Plate Steel
4	1704476	Torsion Spring - Left Side	REPLACES	K0501	5/8" Torsion Spring Driver
	1704477	Torsion Spring - Right Side	REPLACES	K0502	5/8" Torsion Spring Passenger



Arm-Matic™ Spring Assemblies - Underrail Hex Shaft

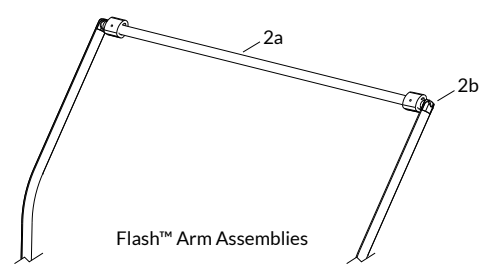
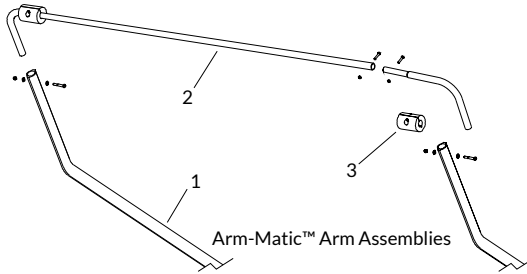


Arm-Matic™ Spring Assemblies - Underrail Hex/Round Shaft

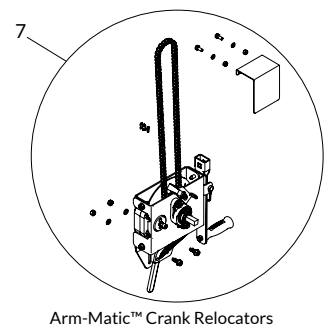
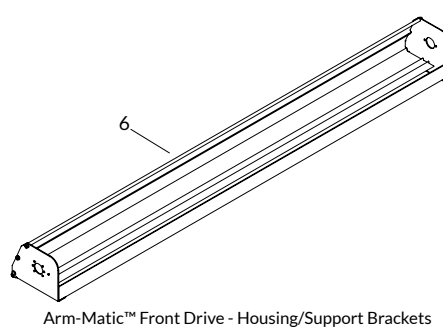
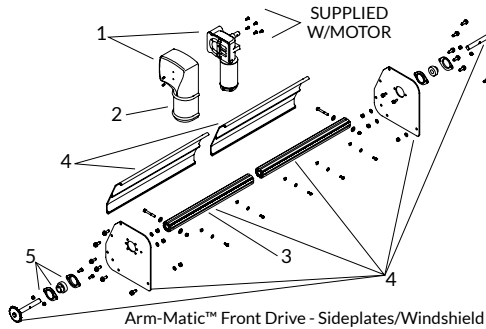
*Any use of competitor names, trademarks, model number, item number or part number is for reference purposes only.

COMPETITOR CROSS REFERENCE

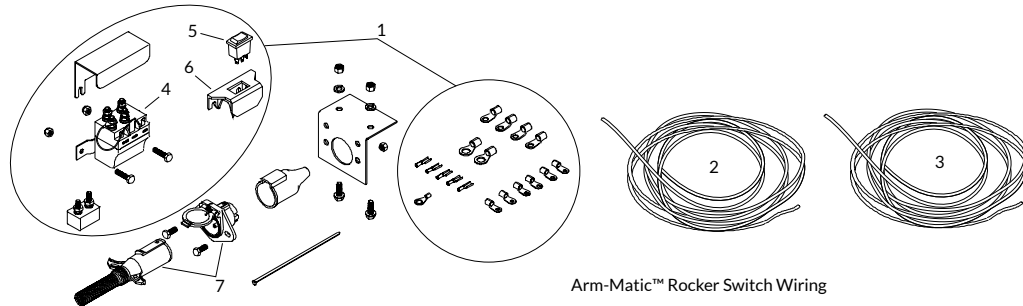
DONOVAN® BRAND			MOUNTAIN TARP BRAND		
ITEM	P/N	DESCRIPTION		P/N	DESCRIPTION
1	1704466	12' Aluminum Return Arm w/2' Bend	REPLACES	K0407B	12' Aluminum Tarp Arm w/Bend
	1704467	14' Aluminum Return Arm w/2' Bend	REPLACES	K0409B	14' Aluminum Tarp Arm w/ Bend
	1704488	Aluminum Return Arm 20'	REPLACES	K0414E	20' Straight Aluminum Tarp Arm
2	1125416	Tarp Tube Crossover 2 Piece - No Hardware	REPLACES	K0420	Crossover Bar 102" for 96" Body
		N/A	REPLACES	K0422	Crossover Bar 108" for 102"
2a	1800300	Aluminum Tarp Tube Crossover	REPLACES		N/A
2b	1800597	90° Cast Aluminum Elbow	REPLACES		N/A
3	1704458	Rubber Bumper 3-1/4" x 4-1/2"	REPLACES	K0420D	6" Rubber Bumper



DONOVAN® BRAND			MOUNTAIN TARP BRAND		
ITEM	P/N	DESCRIPTION		P/N	DESCRIPTION
1	1704878	Durabuilt™ 9:1, 1.2HP Motor (900W) w/Cover - 3-Year Warranty	REPLACES	K0170TS	90:1 1.3HP Motor w/Cover
	1802061	Durabuilt™ 9:1, 0.8HP Motor (600W) w/Cover - 3-Year Warranty	REPLACES	K0170S	60:1 1.1HP Motor w/Cover
	1802066	Durabuilt™ 9:1, 0.8HP Motor (600W) w/Cover - 1-Year Warranty	REPLACES	K0170S	60:1 1.1HP Motor w/Cover
2	1801585	Motor Cover - Chrome - 1-Piece	REPLACES	K0170CMC	Chrome Motor Cover
3	1114961	Threaded Tarp Axle w/Hole	REPLACES	K0174	1-Piece Tarp Axle 96"
4	1120267	Windshield 98" w/End Plates & Stub Shaft	REPLACES	K0703A	3-Piece Wind Deflector & End Plates
5	1703374	Radial Ball Bearing w/Flanges 3/4"	REPLACES	K0187	3/4" Bore, 3 Piece Bearing
6	1119083	Tarp Housing - 98"	REPLACES	K0101SS	Housing Shell Only - 96"
	1119089	Tarp Housing - 104"	REPLACES	K0102SS	Housing Shell Only - 102"
7	1120350	Manual Crank Relocator Kit	REPLACES	K0163	Manual Backup Kit



DONOVAN® BRAND			MOUNTAIN TARP BRAND		
ITEM	P/N	DESCRIPTION		P/N	DESCRIPTION
1	1116271	Rocker Switch Assembly	REPLACES	K0176Q	Rocker & Solenoid Assembly
2	1703822	Dual Conductor 6-Ga. Wire Per Foot	REPLACES	K0146	6-Ga. Wire Per Foot
3	1116482	14-Ga. Electrical Wire 15' Section	REPLACES		N/A
4	1703845	Motor Reversing Solenoid	REPLACES	K0176M	Solenoid Module
5	1116020	Rocker Switch	REPLACES	K0176SO	Rocker Switch Only
6	1703661	Rocker Switch Bracket	REPLACES	K0176RSB	Rocket Switch Bracket
7	1123050	2-Prong Connector, Horizontal Pin Kit	REPLACES	K0173	Phillips Horizontal 2 Prong Disconnect
	1109016	2-Prong Connector, Vertical Pin Kit	REPLACES	1266	Phillips Vertical 2 Prong Disconnect



WASTE TARP SYSTEMS

CONTENTS

SYSTEM SELECTION.....	54	DOUBLE-FLIP™.....	59
SWAT®.....	55	DONOVAN® BELT & RATCHET.....	60
QUICK-FLIP™ III.....	56	OPTIONS & ACCESSORIES.....	61
HY-TOWER™.....	57	TARP OPTIONS.....	62
SIDEWINDER™.....	58	REPLACEMENT PARTS.....	63

		10 cu. Yd.	20 cu. Yd.	30 cu. Yd.	40 cu. Yd.	50 cu. Yd.	60 cu. Yd.
ROLL-OFF TRUCK/TRAILER	CABLE HOIST (TRUCK)	SWAT	Up To 40 cu. Yd.				
		QUICK-FLIP III	Up To 40 cu. Yd.				
		HY-TOWER	Up To 40 cu. Yd.				
	CABLE HOIST (TRAILER)	QUICK-FLIP III	Up To 60 cu. Yd.				
	HOOK LIFT (TRUCK)	SWAT	Up To 40 cu. Yd.				
QUICK-FLIP III		Up To 40 cu. Yd.					
HY-TOWER		Up To 40 cu. Yd.					
ROLL-OFF CONTAINER	ATTACHED DIRECTLY TO CONTAINER	BELT & RATCHET	Up To 50 cu. Yd.				
		HAND TARP	Up To 50 cu. Yd.				
LUGGER TRUCK	LUGGER	Mini HY-TOWER	Up To 20 cu. Yd.				
TRANSFER TRAILERS	WALKING FLOOR OR TIPPER	SIDEWINDER	Up To 53' x 102"				
			Up To 53' x 102"				
		DOUBLE FLIP	Up To 53' x 102"				
			Up To 53' x 102"				
		BELT & RATCHET	Up To 53' x 102"				
		SHUR-LOK	Up To 53' x 102"				
SHUR-CO® BRAND 4500 SERIES HD	Up To 53' x 102"						

OPERATION

MANUAL

ELECTRIC / HYDRAULIC

HYDRAULIC (WET KIT)

ELECTRIC ONLY

SWAT® - Automatic Roll-Off System



STANDARD FEATURES

- Hard-Pipe Cylinders with Nitride-Coated Rams
- Flanged Gear Pins
- Precision Cut-and-Built Gear and Rack
- High-Quality Roller Bar
- Powder-Coated Steel Parts
- Pre-Installed LiteALL™ Mounting Brackets
- Replacement Parts; See Page 64-65

QR Code
Scan for Additional
Product Information



FITS BOXES & TRAILERS - UP TO 40 Cu. Yd.

Complete system part numbers with options.

PART NO.	KIT NAME	VALVE KIT	GANTRY	TARP	SHIP WT.†
1809616	SWAT®	No	Telescoping	8' x 28' Mesh Tarp	1,675 lbs
1809617	SWAT®	No	Telescoping	9'8" x 28' Mesh Tarp	1,675 lbs
1809618	SWAT®	Yes	Telescoping	8' x 28' Mesh Tarp	1,675 lbs
1809619	SWAT®	Yes	Telescoping	9'8" x 28' Mesh Tarp	1,675 lbs
1809621	SWAT® - Remote	Self-Contained Unit - Remote Operated	Telescoping	8' x 28' Mesh Tarp	1,675 lbs
1809622	SWAT® - Remote	Self-Contained Unit - Remote Operated	Telescoping	9'8" x 28' Mesh Tarp	1,675 lbs
1809678	SWAT® - Hook Lift	No	Telescoping	8' x 28' Mesh Tarp	1,675 lbs
1809679	SWAT® - Hook Lift	No	Telescoping	9'8" x 28' Mesh Tarp	1,675 lbs
1809680	SWAT® - Hook Lift	Yes	Telescoping	8' x 28' Mesh Tarp	1,675 lbs
1809681	SWAT® - Hook Lift	Yes	Telescoping	9'8" x 28' Mesh Tarp	1,675 lbs
1809682	SWAT® - Remote - Hook Lift	Self-Contained Unit - Remote Operated	Telescoping	8' x 28' Mesh Tarp	1,675 lbs
1809683	SWAT® - Remote - Hook Lift	Self-Contained Unit - Remote Operated	Telescoping	9'8" x 28' Mesh Tarp	1,675 lbs

†Shipping weights include packaging, but does not include weight of pallets or crates.

9' 8" x 28' Mighty Mesh® Flap Tarp - P/N 1801640
Matches dimensional specs of Pioneer #HR4616

- Made of Mighty Mesh®
- Side flaps
- Pre-installed bungee cord
- Hook lift option available - P/N 1809675
- Tarp w/cut-out - P/N 1809675

8' x 28' Mighty Mesh® Fits All Tarp - P/N 1801686

- Rectangular 8' x 28" construction
- Replacement tarp fits all brands of hydraulic roll-off tarper
- Made of Mighty Mesh®
- Tapered pocket end for ease of installation and enhanced appearance
- Hook lift option available - P/N 1809674
- Tarp w/cut-out - P/N 1809674

SYSTEM WARRANTY

3 YEAR*

STEEL COMPONENTS & TARP ROLLER SPRING

1 YEAR*

HYDRAULIC VALVES

90 DAYS*

TARP

*From original Shur-Co® invoice date. Warranty against defects in material and workmanship. Details included in SWAT® Owner's Manual.



QUICK-FLIP™ III - Automatic Roll-Off System



STANDARD FEATURES

- Unbreakable Aluminum Arms
- 90° Cast Elbow
- 12V Self-Contained Electric/Hydraulic Power Unit
- Standard on P/N 1808670 & 1808680
- Telescoping Gantry - Standard on P/N 1808670, 1808680 & 1809005
- Durabuilt™ Electric Motor (900 Watt)
- Tarps Sold Separately; See Page 64
- Replacement Parts; See Page 74-79



FITS BOXES & TRAILERS - UP TO 36'

Complete system part numbers with options.

PART NO.	KIT NAME	MODEL	ELECTRICS	SHIP WT.†
1808660	Quick-Flip™ III	Single Axle - Fixed Gantry	Toggle Switch	525 lbs
1809005	Quick-Flip™ III	Single Axle - Telescoping Gantry	Toggle Switch	670 lbs
1808670	Quick-Flip™ III	Multi Axle	Toggle Switch	780 lbs
1808680	Quick-Flip™ III	Roll-Off Trailer	Toggle Switch	665 lbs
1808912	Quick-Flip™ III	Conversion Kit*	Toggle Switch	N/A

*Shipping weights include packaging, but does not include weight of pallets or crates.

ADDITIONAL TARP SYSTEM OPTIONS*

PART NO.	DESCRIPTION
1801686	Mighty Mesh® - 8' x 28' (Standard Length)
1808734	Mighty Mesh® - 8' x 34' (Trailer Length)
1808735	HD Reinforcements - 8' x 38'
1808736	HD Reinforcements - 8' x 42'

*Additional options may not be available for all applications.
Note: If tarp cutout is needed, please call 1-800-327-8287.



Mighty Mesh®



QR Code
Scan for
Additional
Product
Information



HY-TOWER™ - Semi-Automatic Pull System



STANDARD FEATURES

- 12V Self-Contained Electric/Hydraulic Power Unit
- Aluminum Leg Mast/15' Lift - Standard on P/N 1801019
- Steel Leg Mast/12' Lift - Standard on P/N 1803900
- Nylon-Coated Cable Assembly
- Spring-Loaded Extruded Aluminum Roller Bar
- Black knit tarp is designed specifically for Hy-Tower™ systems
- Tarps Sold Separately; See Page 64
- Replacement Parts; See Page 66-69

HY-TOWER™

FITS BOXES & TRAILERS - UP TO 40 Cu. Yd.

Complete system part numbers with options.

PART NO.	KIT NAME	GANTRY	NO. OF LEGS		ELECTRICS	SHIP WT.†
1801019	Hy-Tower™ SL	Aluminum	1	15'	Toggle Switch	555 lbs
1803900	Hy-Tower™ DL	Steel	2	12'	Toggle Switch	800 lbs

†Shipping weights include packaging, but does not include weight of pallets or crates.

ADDITIONAL TARP SYSTEM OPTIONS*

PART NO.	DESCRIPTION
1801020	Roll-Off Tarp Knit Mesh 96" x 28' w/15" Flap Hy-Tower™ Black
1801026	Roll-Off Tarp Knit Mesh 100" x 28' Hy-Tower™ Black
1803751	Black Knit - 6' x 22'

*Additional options may not be available for all applications.



QR Code
Scan for
Additional
Product
Information



SIDEWINDER™ - Automatic Side-Flip Tarp



STANDARD FEATURES

- Universal Components (Fit Either Side of Trailer)
- Right Side/Left Side Mounting Hinges (Mount to Either Side)
- Electric/Hydraulic Power Unit (Self Contained)
- Hydraulic (Wet) Valve Kit - Standard on Wet Kits
- Pre-Assembled Head Assemblies
- Forward/Rear/Over-Center Arm Brace Locations
- Steel Frame - Standard on Sidewinder™ Kits
- Aluminum Frame - Standard on Sidewinder™ 350 Kits
- Tarps Sold Separately; See Page 64
- Replacement Parts; See Page 70-73



FITS TRAILERS - UP TO 53' x 102"

Complete system part numbers with options.

PART NO.	KIT NAME	KIT MATERIAL	HINGE	ARMS	FEATURES	ELECTRICS	SHIP WT.†
1800297	Sidewinder™	Steel	Left	N/A	Electric/Hydraulic	Toggle Switch	1,000 lbs
1801908	Sidewinder™	Steel	Right	N/A	Electric/Hydraulic	Toggle Switch	1,000 lbs
1801914	Sidewinder™	Steel	Left	N/A	Wet Kit	N/A	835 lbs
1801910	Sidewinder™	Steel	Right	N/A	Wet Kit	N/A	835 lbs
1800778	Sidewinder™ 350	Aluminum	Left	Unassembled	Electric/Hydraulic	Toggle Switch	530 lbs
1801969	Sidewinder™ 350	Aluminum	Right	Unassembled	Electric/Hydraulic	Toggle Switch	530 lbs

Note: Although components and hinge mount hardware are universal, head mount is available in both left-side and right-side styles.
 †Shipping weights include packaging, but does not include weight of pallets or crates.

ADDITIONAL TARP SYSTEM OPTIONS*

PART NO.	DESCRIPTION
1800604	Orange Poly Mesh - 9'6" x 55'
1809712	Black Grid Tarp - 10' x 55'

*Additional options may not be available for all applications.



QR Code
Scan for
Additional
Product
Information



DOUBLE-FLIP™ - Automatic Side-Flip Tarp



STANDARD FEATURES

- HD Steel Pivot Arms
- Hydraulic (Wet) Valve Kit
- Lower Profile Than Single Lid System
- Tarps Sold Separately; See Page 64
- Replacement Parts; See Page 74

DOUBLE FLIP™

FITS TRAILERS - UP TO 53' x 102"

Complete system part numbers with options.

PART NO.	KIT NAME	PIVOT ARM	FEATURES	SHIP WT.†
1800161	Double-Flip™	Steel	Wet Kit	1,100 lbs

†Shipping weights include packaging, but does not include weight of pallets or crates.

ADDITIONAL TARP SYSTEM OPTIONS**

PART NO.	DESCRIPTION
1800236	Black PVC Mesh (Order 2 per System)
1800237	Black 18-Oz. Vinyl (Order 2 per System)

**Additional options may not be available for all applications.



QR Code
Scan for
Additional
Product
Information



DONOVAN® BELT & RATCHET - Side Roll Tarp



FITS BOXES & TRAILERS - UP TO 53'

Complete system part numbers with options.

PART NO.	KIT NAME	LENGTH	WIDTH	BELTS	FLAP	TARP MATERIAL	SHIP WT.†
1127035	DBR Transfer Kit w/Tarp	45'	96"	5	Front & Rear	Gator Mesh	N/A
1127036	DBR Transfer Kit w/Tarp	48'	96"	5	Front & Rear	Gator Mesh	N/A
1127037	DBR Transfer Kit w/Tarp	53'	96"	5	Front & Rear	Gator Mesh	N/A
1127038	DBR Transfer Kit w/Tarp	45'	102"	5	Front & Rear	Gator Mesh	N/A
1127039	DBR Transfer Kit w/Tarp	48'	102"	5	Front & Rear	Gator Mesh	N/A
1127040	DBR Transfer Kit w/Tarp	53'	102"	6	Front & Rear	Gator Mesh	N/A

FITS ROLL-OFF CONTAINERS - UP TO 26'

Complete system part numbers with options.

PART NO.	KIT NAME	LENGTH	BELTS	FLAP	TARP MATERIAL	SHIP WT.†
1127027	DBR Container Kit w/Tarp	12'	3	Front & Rear	18-Oz. Vinyl	N/A
1127028	DBR Container Kit w/Tarp	14'	3	Front & Rear	18-Oz. Vinyl	N/A
1127029	DBR Container Kit w/Tarp	16'	3	Front & Rear	18-Oz. Vinyl	N/A
1127030	DBR Container Kit w/Tarp	18'	3	Front & Rear	18-Oz. Vinyl	N/A
1127031	DBR Container Kit w/Tarp	20'	3	Front & Rear	18-Oz. Vinyl	N/A
1127032	DBR Container Kit w/Tarp	22'	3	Front & Rear	18-Oz. Vinyl	N/A
1127033	DBR Container Kit w/Tarp	24'	3	Front & Rear	18-Oz. Vinyl	N/A
1127034	DBR Container Kit w/Tarp	26'	4	Front & Rear	18-Oz. Vinyl	N/A

†Shipping weights include packaging, but do not include weight of pallets or crates.

- Tarps Sold Separately; See Page 64 for Roll-Off Replacement Tarps.
- Replacement Parts; See Page 80-81



QR Code
Scan for
Additional
Product
Information



OPTIONS & ACCESSORIES

TARP ROLLERS



REPLACEMENT ROLLER BAR - SWAT®
P/N 1803805



HY-TOWER™ SPRING LOADED
P/N 1801199



ALUMINUM ROLLER BAR w/EXT.
P/N 1800737

CYLINDERS



LOWER ARM CYLINDER
(36" STROKE) w/HARD PIPE
P/N 1808892



RACK PIVOT CYLINDER
(16" STROKE)
P/N 1808890



GANTRY CYLINDER
(36" STROKE)
P/N 1808891

GEAR PIVOT ASSEMBLY



PIVOT ASSEMBLY
P/N 1809355 - Left Side
P/N 1809360 - Right Side

MOTORS (see pages 14 & 15 for more detail)



DURABUILT™ MOTOR
P/N 1704878
12V, 900W, 3-Yr Warranty



DURABUILT™ MOTOR
P/N 1800716
24V, 900W, 3-Yr Warranty



DURABUILT™ MOTOR
P/N 1802061
12V, 600W, 3-Yr Warranty



DURABUILT™ MOTOR
P/N 1802066
12V, 600W, 1-Yr Warranty

TARP OPTIONS

ROLL-OFF SYSTEM TARPS

PART NO.	SYSTEM NAME	TARP SIZE	FABRIC
1801686	SWAT® & Quick-Flip™ III (Models '660 & '670)	8' x 28'	Mighty Mesh®
1809674	SWAT® & Quick-Flip™ III	8' x 28' w/Cutout for Hooklift	Mighty Mesh®
1809675	SWAT® & Quick-Flip™ III	9'8" x 28' w/Cutout & Flaps for Hooklift	Mighty Mesh®
1801640	SWAT® (Replaces Pioneer Systems)	9'8" x 28' w/Flaps	Mighty Mesh®
1801684	Various Systems	9'1" x 28' w/Flaps	Mighty Mesh®
1801690	Various Systems	9' x 28' w/Flaps	Mighty Mesh®
1800603	Various Systems	9'6" x 28' w/Flaps	Mighty Mesh®
1801985	Various Systems	8'4" x 28'	Mighty Mesh®
1801032	Various Systems	7'9" x 28' w/Reinforcements	PVC Mesh
1808735	Quick-Flip™ III (Model '680)	8' x 38' w/Reinforcements	HD Mesh
1808736	Quick-Flip™ III (Model '680)	8' x 42' w/Reinforcements	HD Mesh

*Waste system kits contain hardware only. Appropriate tarp price must be added to hardware kit price. Choose tarp material and size, then add that price to hardware kit price for final total.

HAND TARPS

PART NO.	TARP SIZE	FABRIC
1801458	12' x 18'	Multi-Colored PVC Mesh
1801528	12' x 24'	Multi-Colored PVC Mesh
1801529	12' x 26'	Multi-Colored PVC Mesh
1801001	12' x 24' w/Reinforced Hem	Knitted Poly
1801002	12' x 26' w/Reinforced Hem	Knitted Poly
1801461	12' x 18'	Knitted Poly
1801375	12' x 24'	18-oz. Vinyl
1801376	12' x 26'	18-oz. Vinyl

COMPACTOR DIAPERS

PART NO.	TARP SIZE	FABRIC
1800024	5' x 7'	PVC Mesh
1800025	6' x 8'	PVC Mesh

TRANSFER TRAILER TARPS

PART NO.	KIT NAME	KIT SIZE	TARP SIZE	FABRIC
1902064	Belt & Ratchet Tarp	45' x 102"	45' x 123"	Gator Mesh
1902065	Belt & Ratchet Tarp	48' x 102"	48' x 123"	Gator Mesh
1902066	Belt & Ratchet Tarp	53' x 102"	53' x 123"	Gator Mesh
1902067	Belt & Ratchet Tarp	45' x 96"	45' x 117"	Gator Mesh
1902068	Belt & Ratchet Tarp	48' x 96"	48' x 117"	Gator Mesh
1902069	Belt & Ratchet Tarp	53' x 96"	53' x 117"	Gator Mesh

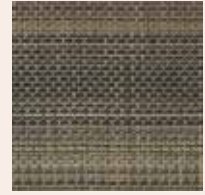
ROLL-OFF CONTAINER TARPS

PART NO.	KIT NAME	KIT SIZE	TARP SIZE	FABRIC
1901600	Belt & Ratchet Tarp	12'	14'3" x 115"	18-oz. Vinyl
1901601	Belt & Ratchet Tarp	14'	16'3" x 115"	18-oz. Vinyl
1901602	Belt & Ratchet Tarp	16'	18'3" x 115"	18-oz. Vinyl
1901603	Belt & Ratchet Tarp	18'	20'3" x 115"	18-oz. Vinyl
1901604	Belt & Ratchet Tarp	20'	22'3" x 115"	18-oz. Vinyl
1901605	Belt & Ratchet Tarp	22'	24'3" x 115"	18-oz. Vinyl
1901606	Belt & Ratchet Tarp	24'	26'3" x 115"	18-oz. Vinyl
1901607	Belt & Ratchet Tarp	26'	28'3" x 115"	18-oz. Vinyl

PRICING DIRECTIONS: Pricing is for black ONLY; for all other colors, add a 15% upcharge. [TARP x 15% = TOTAL].

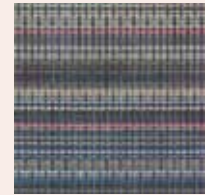
CONTAINER LINER BAGS

PART NO.	WEIGHT	QUANTITY	COLOR
1800144	4-Mil Liner	4 per Box	Black
1800145	6-Mil Liner	2 per Box	Black



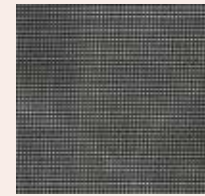
Mighty Mesh®

- Strongest truck tarp material available today



Multi-Color PVC

- Industry standard truck tarp material



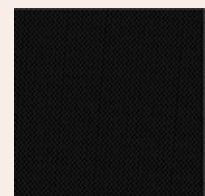
Heavy-Duty Black

- Heavy-duty mesh for dump truck & trailer applications



Knitted Black

- Designed specially for Hy-Tower™
- Rip resistant
- 70% shade



18-oz. Vinyl

- 13 colors available, see vinyl materials section for complete list of colors

REPLACEMENT PARTS - WASTE SYSTEMS

PARTS INDEX

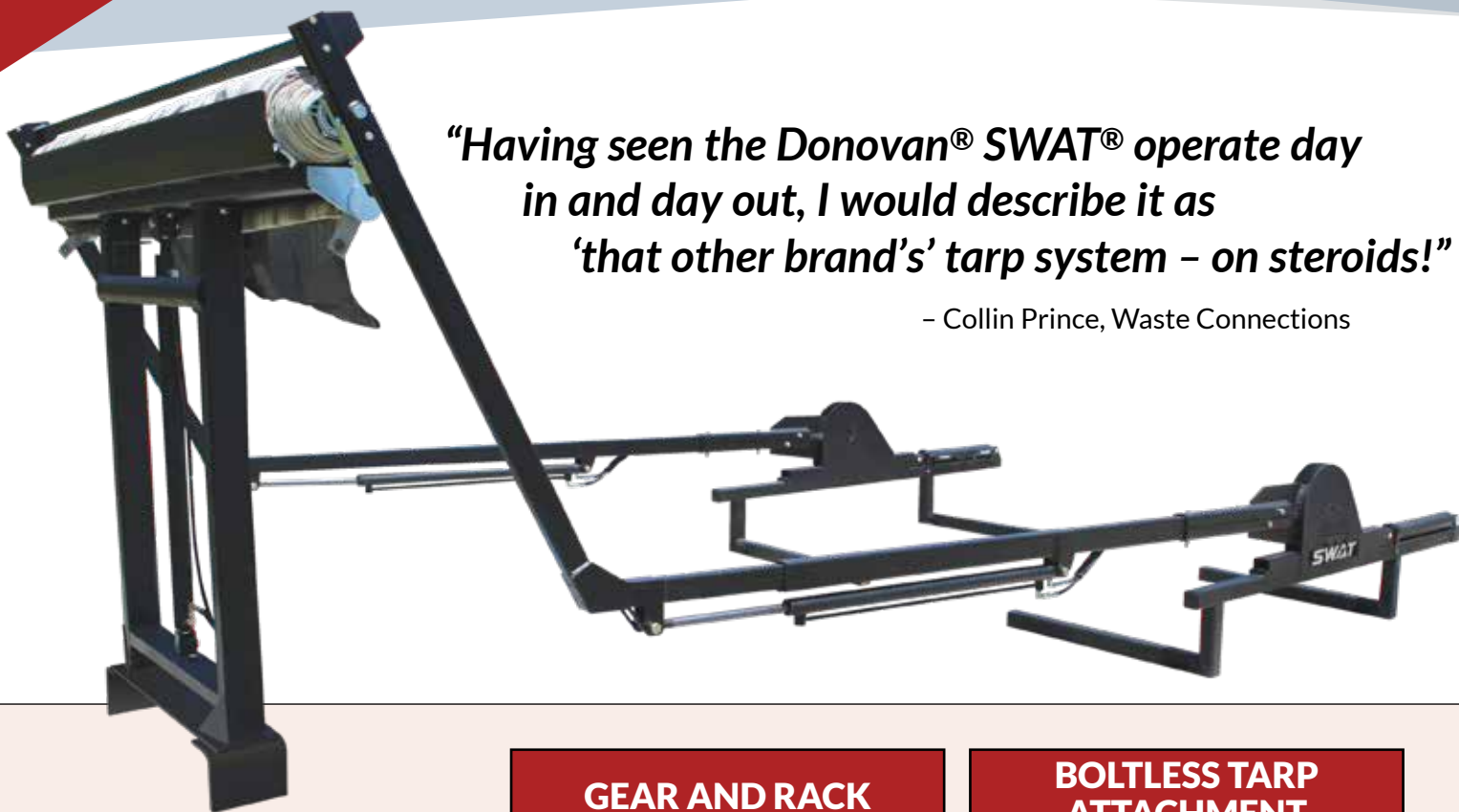
SWAT® SYSTEM.....	64
HY-TOWER™ SYSTEMS.....	66
SIDEWINDER™ SYSTEMS.....	70
DOUBLE-FLIP™ SYSTEM.....	74
QUICK-FLIP™ III SYSTEM.....	75
DONOVAN® BELT & RATCHET SYSTEM.....	80

Donovan® replacement parts are proven to fit and function better. For quality performance, go with the name you can count on. Remember that not utilizing Donovan® parts voids your warranty. For your convenience, we also have a complete numerical listing of available Donovan® parts (call for details).

NOTE: All parts in this catalog may be subject to change or withdrawn from Donovan® inventory without notice. Any non-standard component requiring special engineering or manufacturing may be subject to an additional charge. Call for details.



SWAT® - IT'S INNOVATION THAT SETS US APART



"Having seen the Donovan® SWAT® operate day in and day out, I would describe it as 'that other brand's' tarp system - on steroids!"

- Collin Prince, Waste Connections



**STRONGEST
TARP MESH
AVAILABLE
ON THE MARKET**

GEAR AND RACK

Precision-built gear and rack ensures smooth, synchronous movement. Eliminates gear slippage and pivot arm twist. Increased longevity = decreased downtime.

BOLTLESS TARP ATTACHMENT

High-quality roller bar design facilitates fast, secure tarp attachment. Durable bearings make for longer service life. Attachment options include spline, square nut and threaded slot.

HARD-PIPE CYLINDERS

Hard pipe with nitride-coated rods reduce potential hose damage.

FLOODLIGHT BRACKETRY

Gantry light brackets and protective wiring tube come preinstalled.

TOWER MOUNT PLATES

Wider-design tower mount plates fit more hoist configurations and dramatically cut down on install time.

FLANGED AND BOLTED GEAR PIN

Flanged gear pin bolts to pivot housing to prevent pin loss and enhance pivot arm security. Ensures smooth arm rotation every time.

SELF-CONTAINED REMOTE

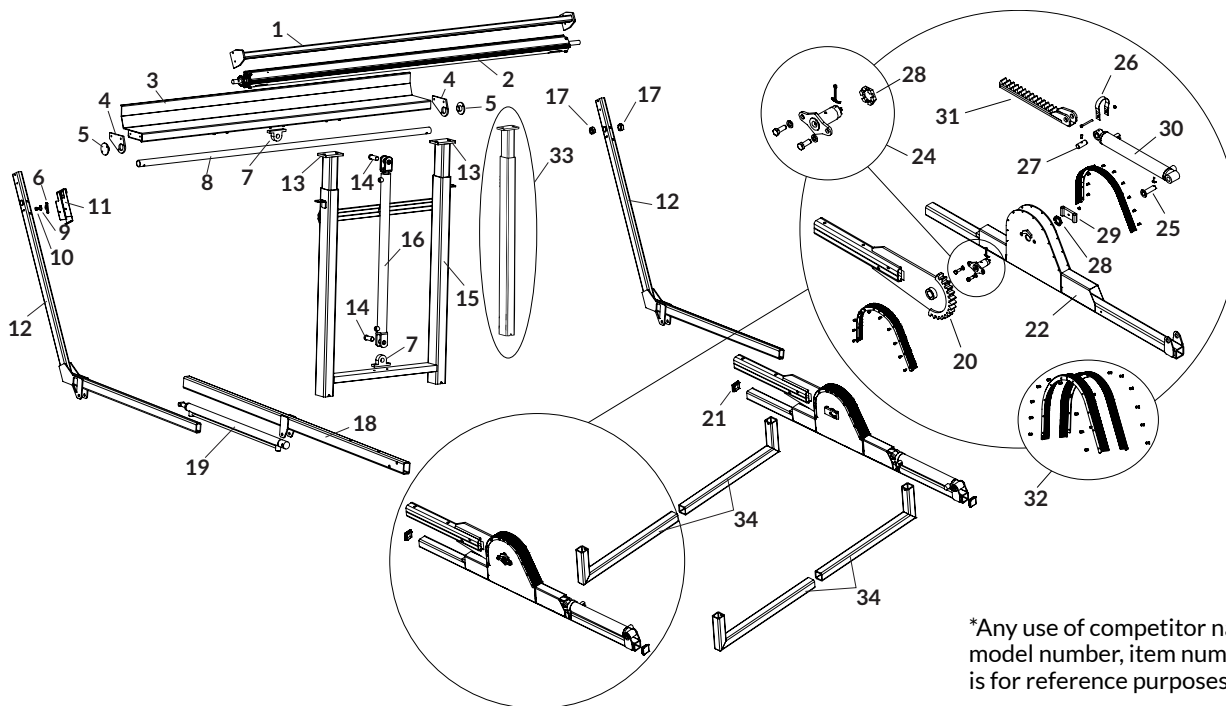
ONLY steel-arm pivot tarping system with remote control option!



DEMAND THE BEST.

REPLACEMENT PARTS - SWAT®

ITEM	DESCRIPTION	DONOVAN® P/N		PIONEER P/N
	SWAT® Complete Arm Kit - Left [Includes 6; 9; 10; 11; 12; 18 & 19]	1809911	REPLACES	HR4766L
	SWAT® Complete Arm Kit - Right [Includes 12; 18 & 19]	1809912	REPLACES	HR4766R
1	Stabilizer Bar	1808873	REPLACES	HR4753
2	Roller Bar	1803805	REPLACES	H7002C
3	Tarp Roll Base Rest	1808872	REPLACES	HR4505-2
4	Tarp Tube Bracket Kit	1810063	REPLACES	HR4756
5	Tarp Tube Cap	1809148	REPLACES	HR4757
6	Ratchet Pawl	1809209	REPLACES	HR4788
7	Gantry Cylinder Clevis Eye	1808869	REPLACES	H7032
8	Tarp Tube	1808865	REPLACES	HR4758-2
9	Pawl Torsion Spring	1808851	REPLACES	HR4786
10	Ratchet Pawl Bushing	1808875	REPLACES	HR4787
11	Ratchet Guard Assembly	1809009	REPLACES	HR4789
12	Upper Arm	1808874	REPLACES	HR4751
13	Gantry Telescoping Leg	1808871	REPLACES	HR4512
14	Clevis Pin - 1" OD	1809013	REPLACES	H7062
15	Gantry Base Frame	1808868	REPLACES	HR4511
16	Gantry Cylinder - 36" Stroke	1808891	REPLACES	HR4520
17	Shaft Locking Collar - 1"	1808855	REPLACES	HR4624
18	Lower Arm	1808879	REPLACES	HR4750
19	Lower Arm Cylinder - 36" Stroke	1808892	REPLACES	HR4752
20	Pivot Gear Arm	1808887	REPLACES	HR4760
21	Square End Plug	1808846	REPLACES	HR4548A
22	Complete Gear/Pivot Assembly - Left Side	1809355	REPLACES	HR4762A
23	Complete Gear/Pivot Assembly - Right Side	1809360	REPLACES	HR4761A
24	Pivot Pin Assembly	1809284	REPLACES	A3881 KIT
25	Rack Cylinder Mounting Pin	1808883	REPLACES	A3883
26	Cylinder Loop Strap	1808881	REPLACES	HR4731
27	Rack Cylinder Connecting Pin	1809014	REPLACES	D18836
28	Castle Nut	1809169	REPLACES	HR4785
29	Pivot Hose Guide	1808859	REPLACES	HR4728
30	Rack/Pivot Cylinder - 16" Stroke	1808890	REPLACES	HR4719
31	Rack Gear	1808886	REPLACES	A3868B
32	Brush Replacement Kit [Includes 2 Brushes w/Rivets]	1809776	REPLACES	N/A
-	Replacement Tarp - 9'8" x 28' Mighty Mesh®	1801640	REPLACES	HR4616/HR4759
-	"Fits All" Replacement Tarps - 8' x 28' Mighty Mesh®	1801686	REPLACES	N/A
-	SWAT® Wet Kit Hardware	1809232	REPLACES	N/A
-	SWAT® R/C Hardware	1809398	REPLACES	N/A
33	Gantry Base w/Telescoping Legs [Includes 15; 2 of 13]	1809687	REPLACES	HR4511
34	Chassis Mount Tube	1808880	REPLACES	HR4723



QR Code
Scan for Additional
Product Information



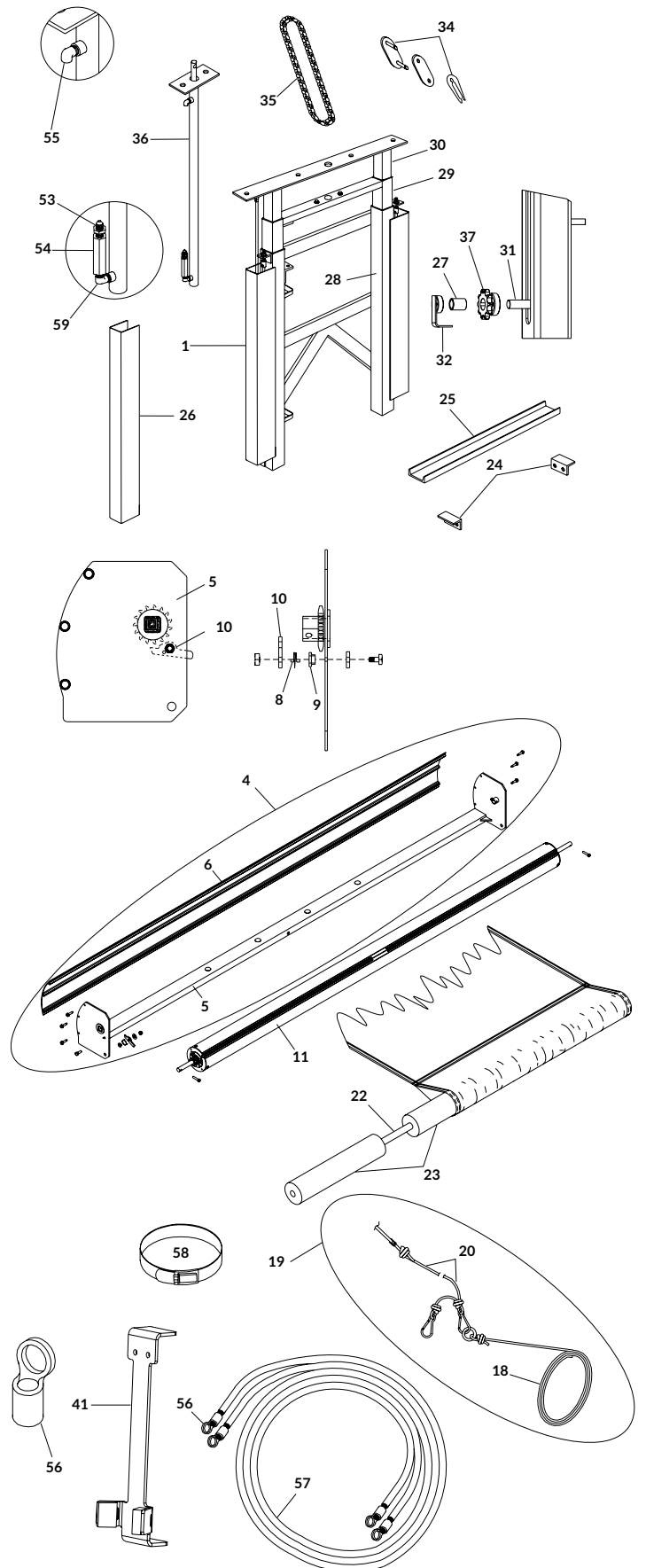
*Any use of competitor names, trademarks, model number, item number or part number is for reference purposes only.

REPLACEMENT PARTS - HY-TOWER™

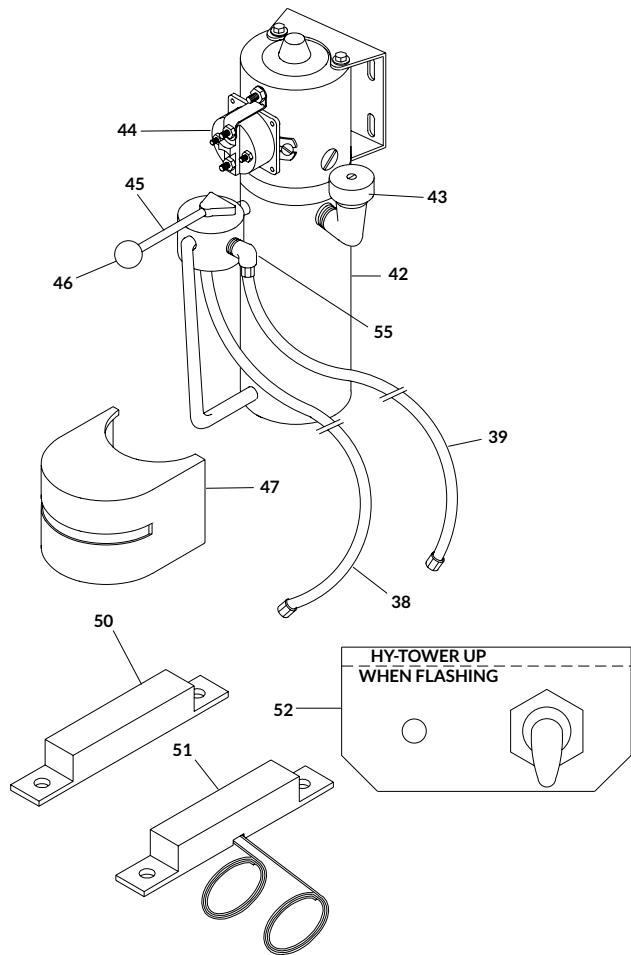
HY-TOWER™ DL

ITEM	PART NO.	DESCRIPTION
1	1800085	Hy-Tower™ DL Base Kit - Boxed [Includes 32; 33; 34; 40; 53; 57; 58; 2 of 30, 31, 35, 36, 37, 38, 39 & 41]
2	1800480	Hy-Tower™ DL Housing Kit - Boxed [Includes 4; 8; 9; 10; 11; 13; 14; 16; 17; 19; 26; 27; 29; 2 of 12, 15, 23 & 28; 8 of 24; 52 of 20]
3	1800762*	Hy-Tower™ DL Pump Assembly [Includes 42; 43; 44; 45; 46; 52; 61; 62; 2 of 59; 4 of 60]
4	1800479	Housing Assembly - DL Model
5	1800478	Housing - DL Channel w/End Plates
6	1800477	Housing Deflector - 105-3/4"
7	1800460*	Self-Threading Bolt - 5/16" x 1-1/4"
8	1800698	Ratchet Spring
9	1800702	Ratchet Spacer
10	1800917	Ratchet Pawl w/Lever
11	1801199	Roller Bar Assembly [Includes 13; 14; 16; 17; 2 of 12 & 15]
12	1800519*	Flange Bearing - 3/4"
13	1800015*	Female Shaft
14	1801200*	Male Shaft
15	1800016*	Aluminum Roller Bar Cap
16	1800073*	Extruded Aluminum Tube - 94-1/2"
17	1800083*	Spring
18	1801387	Rope Assembly w/o O-Ring - 3/8" x 50'
19	1801009	Rope Assembly
20	1801388	Rope Assembly - 5/16" x 8' [Includes 2 of 23; 8 of 24]
21	1801463*	Pull Bar Assembly [Includes 26; 27]
22	1800820	Composite Tube - 1" OD
23	1800821	Polyethylene Foam - 7/8"
24	1801966	Mounting Angle
25	1800726	Mounting Channel
26	1800683	Chain Guard
27	1800724	Bushing - 3/4" ID x 1" OD x 1-1/4"
28	1801209	Weldment - 3rd Stage
29	1801212	Weldment - 2nd Stage
30	1801215	Weldment - 1st Stage
31	1801216	Sprocket Shaft
32	1801218	Chain Guide Assembly

*These items are NOT shown in the drawing: numbered for future reference.
Continued to Next Page. ->



REPLACEMENT PARTS - HY-TOWER™



HY-TOWER™ DL | Continued

ITEM	PART NO.	DESCRIPTION
33	1801220*	Chain Mount Assembly
34	1800080	Master Chain Link - #60
35	1800081	Chain - #60 x 130P
36	1800082	Cylinder - 1-1/2" x 42" x 1"
37	1800084	Sprocket - 60-B-10 x 1"
38	1801221	Hydraulic Hose - 12'
39	1801222	Hydraulic Hose - 9'
40	1801223*	Pump Spacer
41	1801623	Pump Mounting Bracket
42	1800090	Hydraulic Pump - 12V M310
43	1801363	Hydraulic Motor Cap - Breather
44	1801343	Solenoid - 12V - 4 Post
45	1801360	Pump Rod
46	1801359	Pump Ball
47	1801015	Solenoid Cover - DL
48	1800906	Clamp - 5" to 7"
49	1801033	Alarm Audible Kit - 4"
50	1808943	Single Magnet Sensor - 1-5/8"
51	1808944	Single Magnet Sensor w/Wire - 1-5/8"
52	1801358	Alarm Cut-Off Switch Assembly
53	1801017	Hydraulic Fitting - 4" JICM x 4" NPTM
54	1801018	Hydraulic Pressure Control Compensator - 1-3/4"
55	1800112	Hydraulic Fitting - 4" JIC x 1/4" NPT - 90°
56	1800158	Ring Terminal - 4 Ga. x 3/8" Stud - Battery
57	1800220	Dual-Conductor Wire - 4 Ga. - 16'
58	1800458*	150-Amp Circuit Breaker
59	1801016*	Hydraulic Fitting - 3/8" NTMP - 90°
60	1800238*	Seal Kit - DL Model

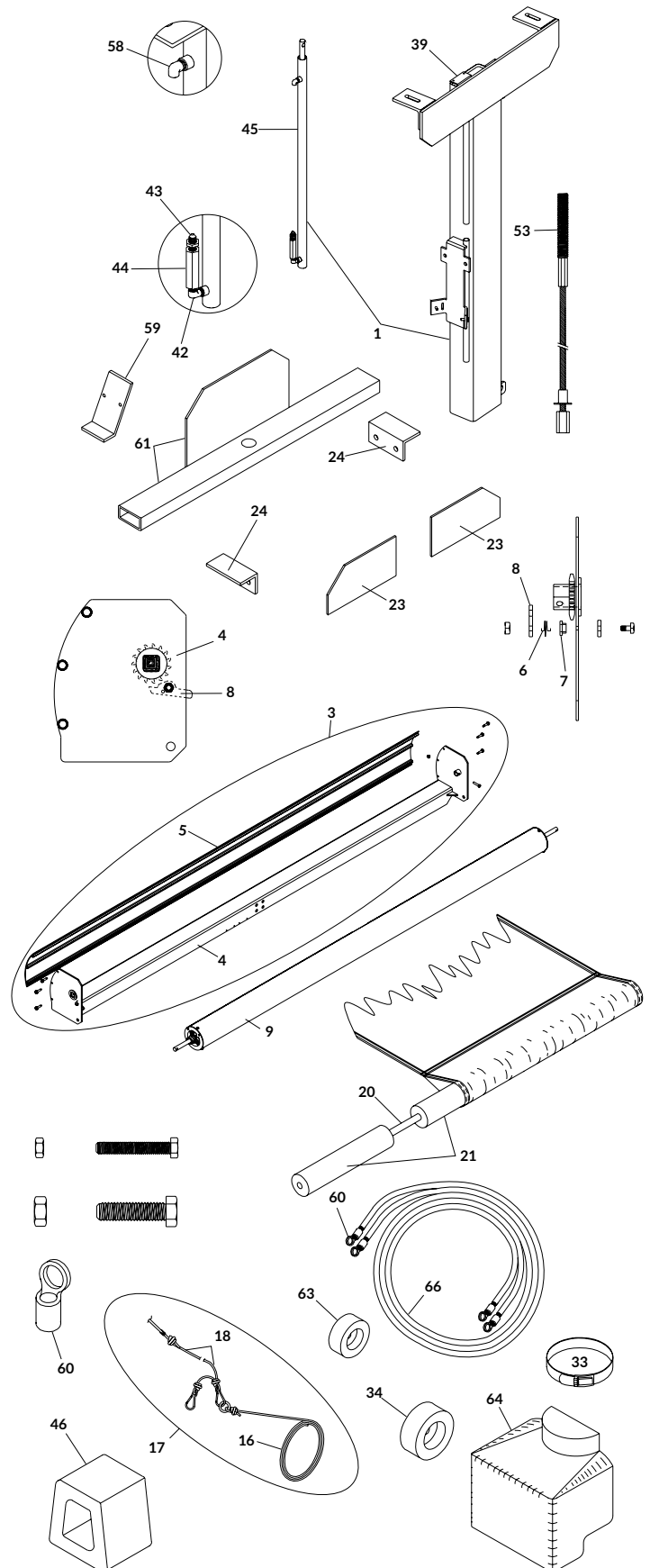
*These items are NOT shown in the drawing: numbered for future reference.

REPLACEMENT PARTS - HY-TOWER™

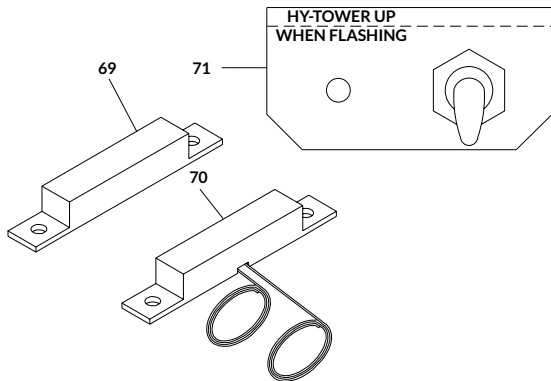
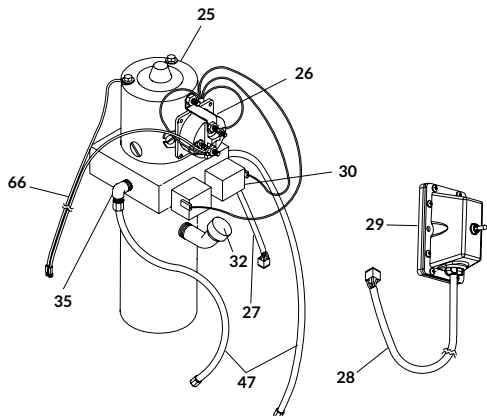
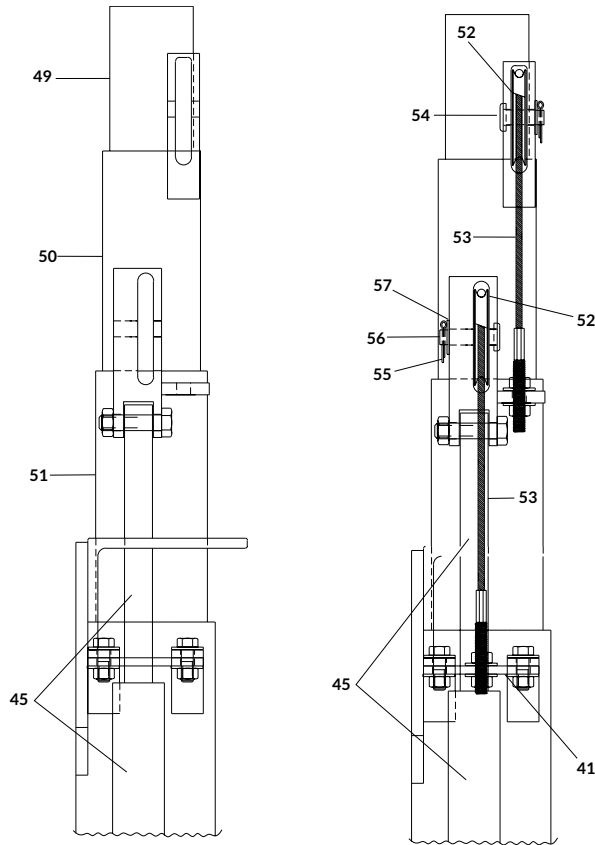
HY-TOWER™ SL

ITEM	PART NO.	DESCRIPTION
1	1801996	Hy-Tower™ SL Base Kit - Boxed [Includes 25; 28; 36; 40; 42; 44; 45; 46; 47; 48; 52; 53; 54; 57; 59; 61; 62; 64; 65; 67; 68; 69; 70; 2 of 26, 27, 37, 38, 39, 43, 49, 50, 55, 56, 58 & 60; 4 of 63]
2	1800483	Hy-Tower™ SL Housing Kit - Boxed [Includes 4; 5; 6; 7; 8; 11; 12; 14; 15; 23; 24; 2 of 10, 13 & 20; 8 of 21; 52 of 17]
3	1800482	Housing Assembly - SL Model [Includes 4; 5]
4	1800481	Housing - SL
5	1800477	Housing Deflector - 105-3/4"
6	1800698	Ratchet Spring
7	1800702	Ratchet Spacer
8	1800917	Ratchet Pawl w/Lever
9	1801199	Roller Bar Assembly [Includes 11; 12; 14; 15; 2 of 10 & 13]
10	1800519*	Flange Bearing - 3/4"
11	1800015*	Female Shaft
12	1801200*	Male Shaft
13	1800016*	Aluminum Roller Bar Cap
14	1800073*	Extruded Aluminum Tube - 94-1/2"
15	1800083*	Spring
16	1801387	Rope Assembly - 3/8" x 50'
17	1801009	Rope Assembly [Includes 16; 19]
18	1801388	Rope Assembly - 5/16" x 8' [Includes 2 of 20; 8 of 21]
19	1801463*	Pull Bar Assembly [Includes 23; 24]
20	1800820	Composite Tube - 1" OD
21	1800821	Polyethylene Foam - 7/8"
22	1800578*	Nylon Insert - 6-32
23	1800370	Front Brace
24	1801966	Mounting Angle
25	1800850	Hydraulic Pump - 12V M3551
26	1801343	Solenoid - 12V - 4 Post
27	1801366	Pump Cord - Fork End
28	1801365	Driver Side Cord - Control Box End
29	1801718	Toggle Switch - Marine Grade
30	1801367	Coil - 12V
31	1800105*	Coil - 24V
32	1801363	Hydraulic Motor Cap - Breather
33	1800906	Clamp - 5" to 7"

*These items are NOT shown in the drawing: numbered for future reference.
Continued to Next Page. ->



REPLACEMENT PARTS - HY-TOWER™



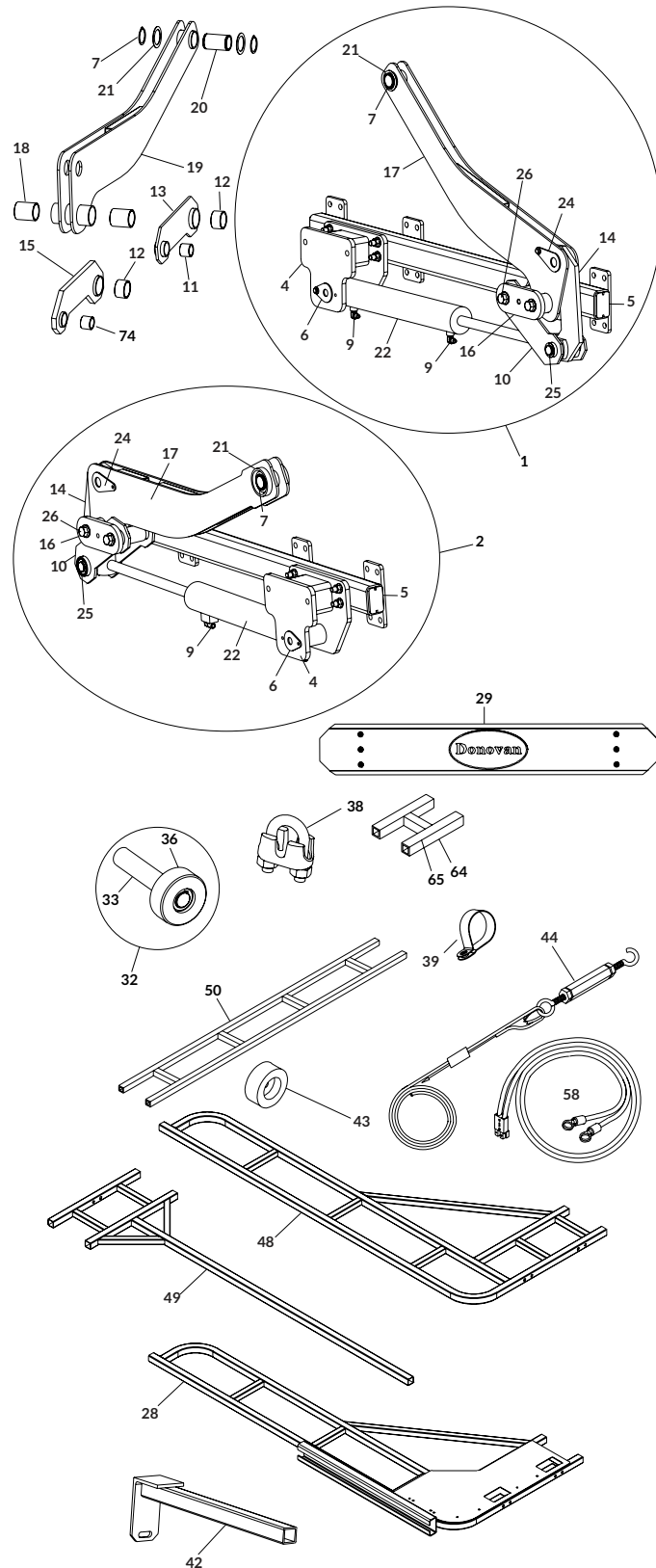
HY-TOWER™ SL | Continued

ITEM	PART NO.	DESCRIPTION
34	1800907	Bumper - 1-13/16" x 1-1/8"
35	1800925	Male Hydraulic Fitting - #6 x 90°
36	1800926	Stud - 3/8" x 2-5/8"
37	1801033*	Alarm - Audible
38	1801158*	Base Assembly - SL Model [Includes 42; 44; 45; 46; 47; 48; 52; 53; 54; 57; 59 & 61; 2 of 43, 49, 50, 55, 56, 58 & 60]
39	1800369	Steel Leg Assembly
40	1800392	Bumper Hold-Down
41	1800393	Mounting Cable - Threaded End
42	1800912	Hydraulic Fitting - 4MP x 4MP x 90°
43	1801017	Hydraulic Fitting - 4MJ x 4MP x STR
44	1801018	Hydraulic Pressure Control Compensator - 1-3/4"
45	1801160	Hydraulic Cylinder - 1-14" x 40"
46	1801175	Dock Bumper - 3"
47	1801235	Hydraulic Hose - 37-1/2" OAL
48	1801445*	Aluminum Leg Assembly [Includes 52; 53; 54; 57; 59; 2 of 55, 56, 58 & 60]
49	1800380	Aluminum Leg Assembly - Inner
50	1800381	Aluminum Leg Assembly - Medium
51	1800382	Aluminum Leg Assembly - Outer
52	1800394	Pulley
53	1801005	Cable Assembly
54	1801475	Clevis Pin - 1/2" x 1-1/4"
55	1801476	Cotter Pin - 1/8" x 1-1/4"
56	1801517	Clevis Pin - 1/2" x 1-3/4"
57	1801519	Shim - 1/2" ID x 7/8" OD x .075"
58	1800112	Hydraulic Fitting - 4JIC x 1/4NPT x MI90
59	1801265	Mounting Switch Plate
60	1800158	Ring Terminal - 4 Ga. x 3/8" Stud - Battery
61	1801159	Mounting Base
62	1801192	Box Base
63	1801236	Rubber Bumper - 1-1/2" Round
64	1801342	Solenoid Cover - SL
65	1801495	Clamp Hose - 4-1/16" x 5"
66	1800220	Dual-Conductor Wire - 4 Ga. - 16'
67	1800458	150-Amp Circuit Breaker
68	1801063	Seal Kit - SL Model
69	1801356	Single Magnet Sensor - 4"
70	1801357	Single Magnet Sensor w/Wire - 4"
71	1801358	Alarm Cut-Off Switch Assembly
72	1801725	Toggle Switch Assembly [Includes 28 & 29]

*These items are NOT shown in the drawing; numbered for future reference.

REPLACEMENT PARTS - SIDEWINDER™

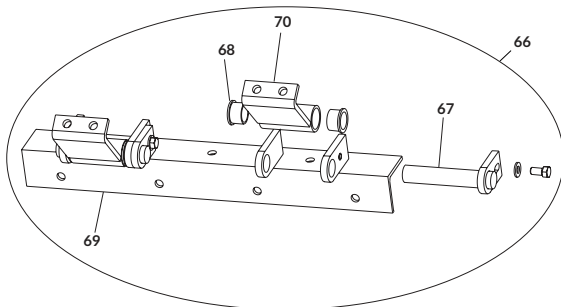
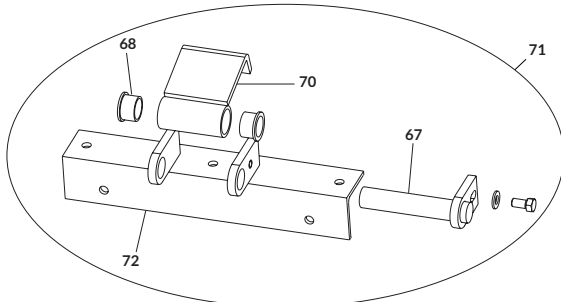
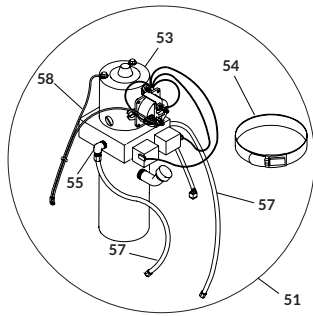
ITEM	PART NO.	DESCRIPTION
1	1800286	Backhoe Actuator Assembly - Left Hinge [Includes 4; 5; 6; 14; 16; 17; 22; 23; 24; 25; 2 of 3, 7, 8, 9, 10, 26 & 27; 4 of 21]
2	1801907	Backhoe Actuator Assembly - Right Hinge [Includes 4; 5; 6; 14; 16; 17; 22; 23; 24; 25; 2 of 3, 7, 8, 9, 10, 26 & 27; 4 of 21]
3	1800276*	Gearlock Bearing
4	1800282	Cylinder Mount
5	1800287	Base Tube Weldment
6	1800292	Cylinder Base Pin Assembly
7	1800880	External Retaining Ring - 1-1/2" Dia.
8	1801707*	External Retaining Ring - 1" Dia.
9	1800112	Hydraulic Fitting - #4 JIC x 1/4" NPT 90°
10	1800180	Short Link Assembly [Includes 11; 12; 13]
11	1800497	Bushing - 1" ID x 1-1/4" OD x 1"
12	1800879	Bushing - 1-1/2" ID x 1-3/4" OD x 1"
13	1800181	Short Link
14	1800190	Long Link w/Bushing [Includes 11; 12; 15]
15	1800191	Long Link
16	1800194	Pin Connector
17	1800197	Rotating Arm Assembly [Includes 19; 20; 2 of 7, 18 & 21]
18	1800156	Bushing - 1-1/2" ID x 1-3/4" OD x 2"
19	1800199	Rotating Arm
20	1800203	Bushing - Turned
21	1800204	Shim - 1-1/2" ID x .047"
22	1800205	Hydraulic Cylinder - 2-1/2" x 15-1/4"
23	1800207*	Short Link Spacer
24	1800208	Long Link Pin
25	1800211	Long/Short Link Pin
26	1800232	Hex Bolt w/Serrated Washer - 5/8" x 1-1/2"
27	1800250*	Shim - 1" ID x 1-1/2" OD x .047"
28	1800289	Front Lid Assembly
29	1800293	Wind Deflector
30	1800294*	Deflector Brace - 1-1/2"
31	1800295*	Deflector Brace - 1"
32	1800335	Roller Shaft Assembly - 10" [Includes 33; 34; 35; 36; 54; 2 of 27]
33	1800331	Roller Shaft
34	1800977*	Shim - 1-1/4" ID x .047"
35	1800978*	Retaining Ring - 1-1/4"
36	1800177	Roller - UHMW
37	1800374*	Stainless Button Head Screw - 1/2" x 3"
38	1800872	Cable Nut - 3/16"
39	1800923	Loop Strap - 3/4"
40	1801379*	Loctite™ - 5 ML - Tube
41	1801510*	Bumper Strips - UHMW
42	1800897	Center Lid Extension
43	1801236	Rubber Bumper - 1-1/2" Round
44	1801276	Cable w/Turnbuckle - 30'
45	1801342*	Solenoid Cover - SL
46	1801495*	Clamp Hose - 4-1/16" x 5"
47	1800412*	Pump Mount Bracket
48	1800884	Rear Lid Assembly
49	1800885	Center Lid Assembly
50	1800889	Ladder Assembly
51	1800945	Pump Assembly - 12V [Includes 52; 53; 54; 58; 2 of 43, 55, 56 & 57]
52	1800458*	150-Amp Circuit Breaker
53	1800850	Hydraulic Pump - 12V M3551



* These items are NOT shown in the drawing: numbered for future reference.

Continued to Next Page. ->

REPLACEMENT PARTS - SIDEWINDER™



ITEM	PART NO.	DESCRIPTION
54	1800906	Clamp - 5" to 7"
55	1800925	Male Hydraulic Fitting - #6 x 90°
56	1800926*	Stud - 3/8" x 2-5/8"
57	1801235	Hydraulic Hose - 37-1/2" OAL
58	1801237	Wiring Harness - 9' [Includes 59; 62; 2 of 60]
59	1800149*	Connector - 120 Amp - 4 Ga.
60	1800158*	Ring Terminal - 4 Ga. x 3/8" Stud - Battery
61	1800221*	Dual-Conductor Wire - 4 Ga. - 9'
62	1801238	Wiring Harness - 16' [Includes 59; 62; 2 of 60]
63	1800220*	Dual-Conductor Wire - 4 Ga. - 16'
64	1801233*	4H Connectors [Includes 4 of 65]
65	1800891	Connector - H
66	1801599	Front & Rear Hinge Assembly - Low Profile [Includes 72; 2 of 67, 70; 4 of 68]
67	1800606	Hinge Pin Assembly
68	1800860	Flanged Bushing - 1-1/4" ID
69	1801600	Rear Hinge - Low Profile
70	1801603	Hinge Lid - Low Profile
71	1801601	Center Hinge Assembly - Low Profile [Includes 67; 69; 70; 2 of 68]
72	1801602	Center Hinge - Low Profile
73	1800315*	Hose Bundle Wrap - 1/2"
74	1800497	Bushing - 1" ID x 1-1/4" OD x 1/2"
75	1808766*	External Retaining Ring - 1"
76	1801430*	Sidewinder™ Wet Kit

* These items are NOT shown in the drawing; numbered for future reference.

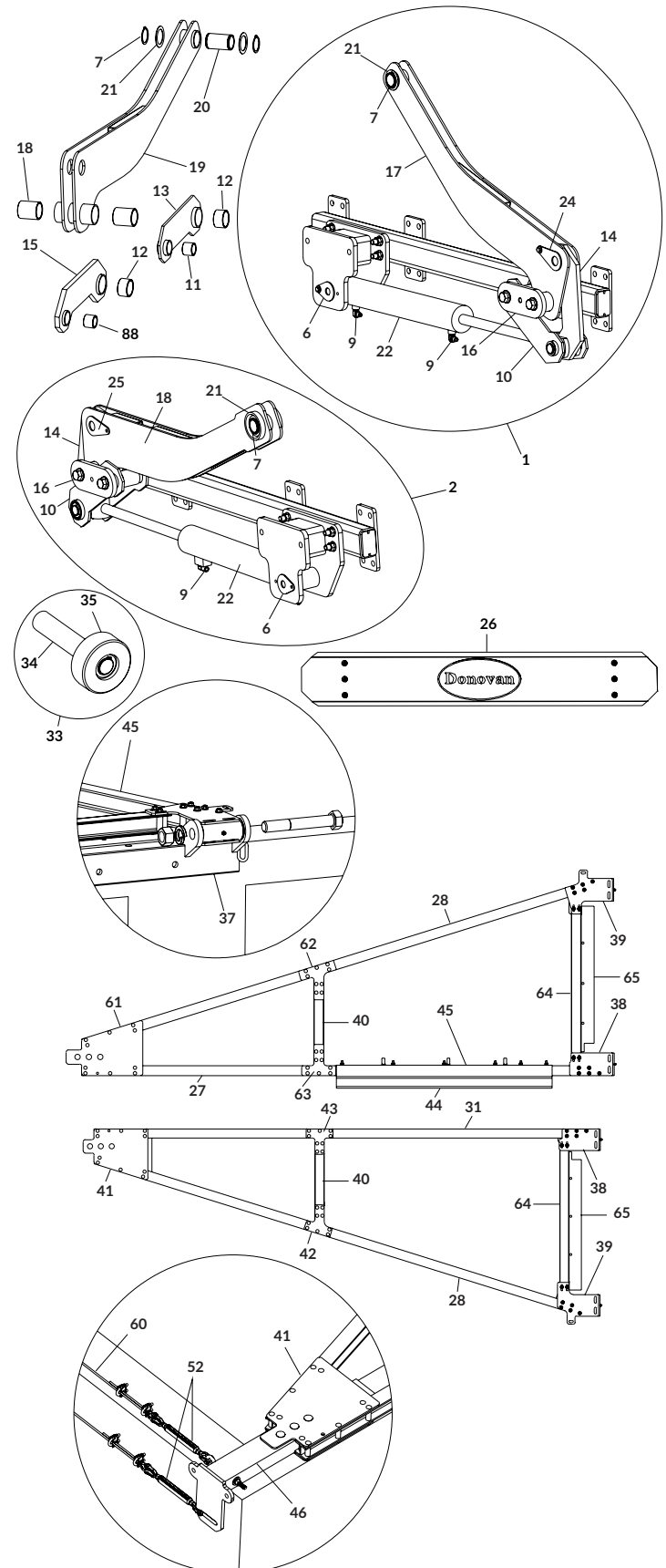
REPLACEMENT PARTS - SIDEWINDER™

SIDEWINDER™ 350

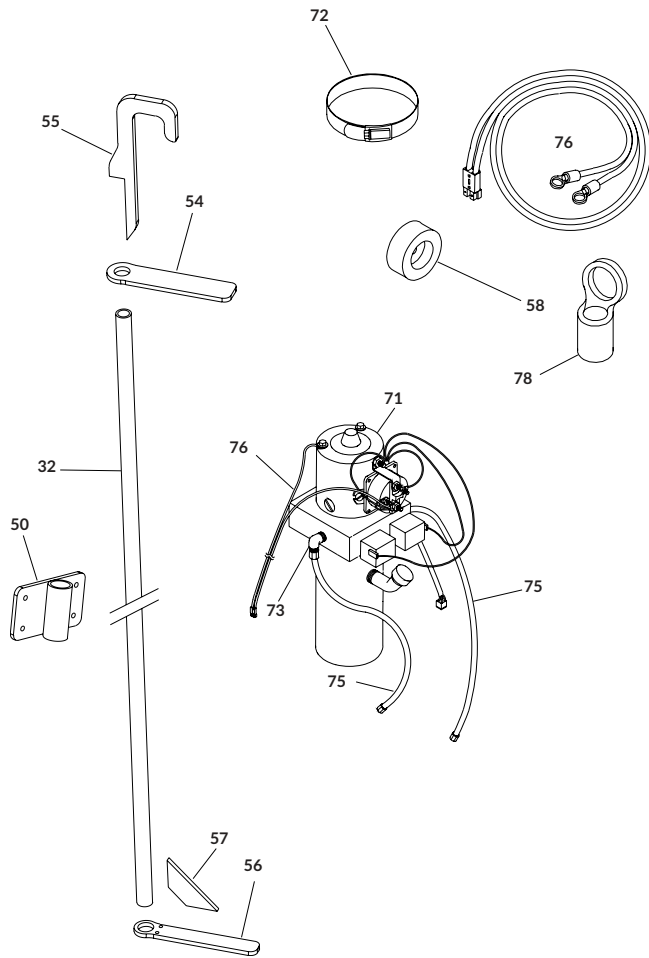
ITEM	PART NO.	DESCRIPTION
1	1800286	Backhoe Actual Assembly - Left Hinge [Includes 4; 5; 6; 14; 16; 17; 22; 23; 24; 25; 2 of 3, 7, 8, 9, & 10; 4 of 21]
2	1801907	Backhoe Actuator Assembly - Right Hinge [Includes 4; 5; 6; 14; 16; 17; 22; 23; 24; 25; 2 of 3, 7, 8, 9, & 10; 4 of 21]
3	1800276*	Gearlock Bearing
4	1800282*	Cylinder Mount
5	1800287*	Base Tube Weldment
6	1800292	Cylinder Base Pin Assembly
7	1800880	External Retaining Ring - 1-1/2" Dia.
8	1801707*	External Retaining Ring - 1" Dia.
9	1800112	Hydraulic Fitting - 4JIC x 1/4NPT x MI90
10	1800180	Short Link Assembly [Includes 11; 12; 13]
11	1800497	Bushing - 1" ID x 1-1/4 OD x 1"
12	1800879	Bushing - 1-1/2" ID x 1-3/4" OD x 1"
13	1800181	Short Link
14	1800190	Long Link w/Bushing [Includes 11; 12; 15]
15	1800191	Long Link
16	1800194	Pin Connector
17	1800197	Rotating Arm Assembly [Includes: 19; 20; 2 of 7, 18 & 21]
18	1800156	Bushing - 1-1/2" ID x 1-3/4" OD x 2"
19	1800199*	Rotating Arm
20	1800203	Bushing - Turned
21	1800204	Shim - 1-1/2" ID x .047"
22	1800205	Hydraulic Cylinder - 2-1/2" x 15-1/4"
23	1800207*	Short Link Spacer
24	1800208	Long Link Pin
25	1800211*	Long/Short Link Pin
26	1800293	Wind Deflector
27	1800796	Front I-Beam - 91.88"
28	1800800	I-Beam - 94.83"
29	1800831*	Rear Lid Assembly
30	1800824*	Front Lid Assembly
31	1800837	Rear I-Beam - 91.88"
32	1800867	Latch Pipe
33	1800335	Roller Shaft Assembly - 10" [Includes 34; 35; 83; 84; 85; 2 of 86]
34	1800331	Roller Shaft
35	1800177	Roller - UMHW
36	1800412*	Pump Mount Bracket
37	1800781*	Hinge Angle
38	1800789	Front Hinge
39	1800794	Rear Hinge
40	1800804*	I-Beam - 15.38"
41	1800805	Reinforcement Plate
42	1800816*	Angled T Plate
43	1800817	T Plate
44	1800818	Roller Track
45	1800822	Roller Track Support Tube
46	1800825	Lid Extension
47	1800294*	Deflector Brace - 1-1/2"
48	1800295*	Deflector Brace - 1"
49	1800050*	Rubber Strap w/Hook - 15"
50	1800838	Latch Mount

* These items are NOT shown in the drawing: numbered for future reference.

Continued to Next Page. ->



REPLACEMENT PARTS - SIDEWINDER™



SIDEWINDER™ 350 | Continued

ITEM	PART NO.	DESCRIPTION
51	1800853*	Bronze Thrust Bearing - 1"
52	1800858	Turnbuckle - 5/16"
53	1800859*	Aluminum Turnbuckle - 3/8"
54	1800865	Top Hold-Down Plate
55	1800866	Hook
56	1800868	Latch Handle
57	1800869	Handle Gusset
58	1801236	Rubber Bumper - 1-1/2" Round
59	1801495*	Clamp Hose - 4-1/16" x 5"
60	1800857	Galvanized Cable - 3/16" x 55'
61	1800883	Large Reinforcement Plate
62	1800893	Large Angled T Plate
63	1800896	Large T Plate
64	1800899	I-Beam - 28.25"
65	1800908	Hinge Seal
66	1800922*	Aqua-Grade Tarp Reinforcement
67	1801342*	Solenoid Cover - SL
68	1800905*	Rear Lid Seal
69	1800945*	Pump Assembly - 12V [Includes 70; 71; 72; 76; 80; 2 of 58, 73, 74 & 75]
70	1800458*	150-Amp Circuit Breaker
71	1800850	Hydraulic Pump - 12V M3551
72	1800906	Clamp - 5" to 7"
73	1800925	Male Hydraulic Fitting - #6 x 90°
74	1800926*	Stud - 3/8" x 2-5/8"
75	1801235	Hydraulic Hose - 37-1/2" OAL
76	1801237	Wiring Harness - 9' [Includes 77; 79; 2 of 78]
77	1800149	Connector 120 Amp - 4 Ga.
78	1800158	Ring Terminal - 4 Ga. x 3/8" Stud - Battery
79	1800221*	Dual-Conductor Wire - 4 Ga. - 9'
80	1801238*	Wiring Harness - 16' [Includes 77; 81; 2 of 78]
81	1800220*	Dual-Conductor Wire - 4 Ga. - 16'
82	1801352*	Connector - 120 Amp - 6 Ga.
83	1800977*	Shim - 1-1/4" ID x .047"
84	1800978*	Retaining Ring - 1-1/4"
85	1808766*	Retaining Ring Ext - 1" x .078"
86	1800250*	Shim - 1" ID x 1-1/2" OD x .047"
87	1801907*	Backhoe Assembly Right Hinge
88	1800497	Bushing - 1" ID x 1-1/4" OD x 1/2"

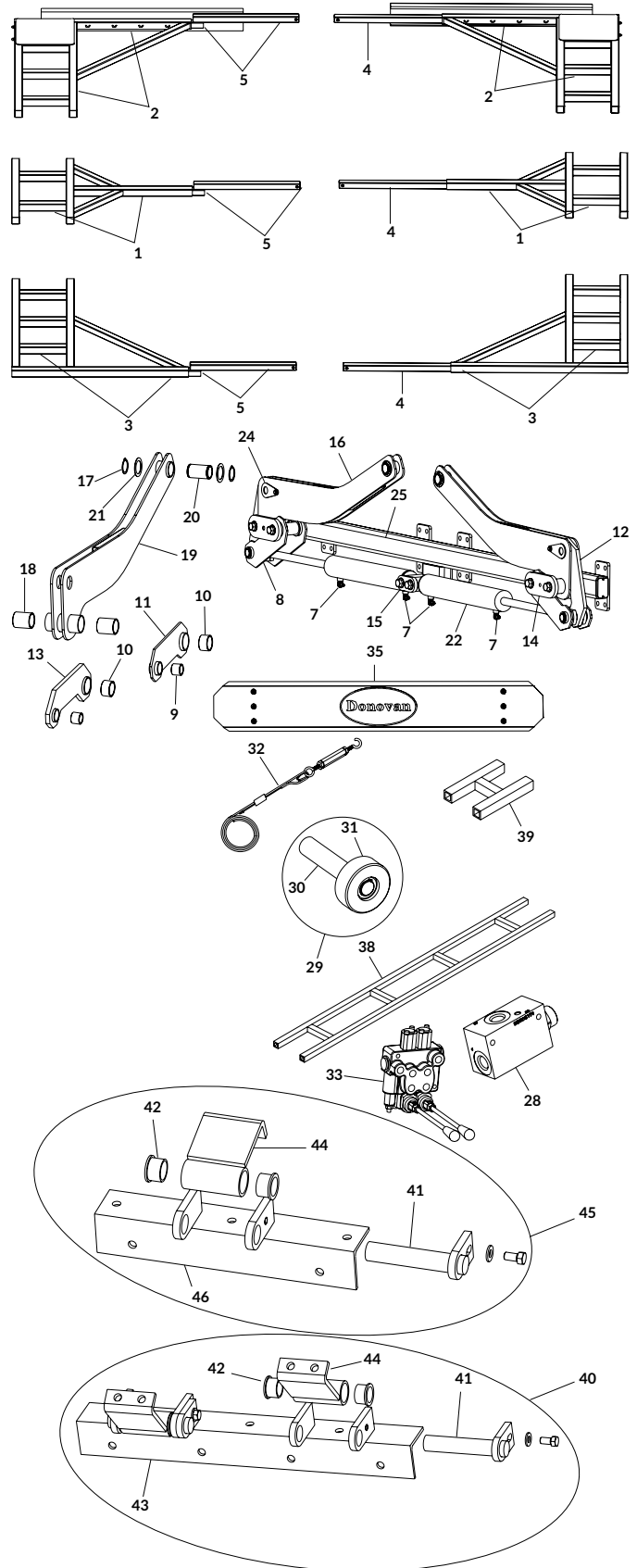
* These items are NOT shown in the drawing: numbered for future reference.

REPLACEMENT PARTS - DOUBLE-FLIP™

DOUBLE-FLIP™

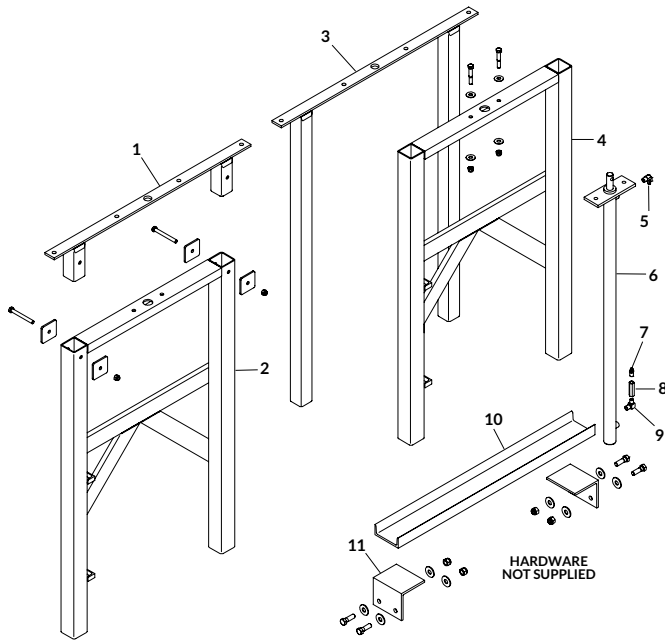
ITEM	PART #	DESCRIPTION
1	1800162	Center Lid Weldment
2	1800164	Front Lid Weldment
3	1800166	Rear Lid
4	1800173	Insert Tube - 28"
5	1800174	Lid Extension
6	1800189	Backhoe Actuator Assembly [Includes 15; 26; 2 of 12, 14, 16, 22, 23, 24, & 26; 4 of 7, 8 & 27]
7	1800112	Hydraulic Fitting - 4JIC x 1/4NPT x MI90
8	1800180	Short Link Assembly [Includes 9; 10; 11]
9	1800497	Bushing - 1" ID x 1-1/4 OD x 1"
10	1800879	Bushing - 1-1/2" ID x 1-3/4" OD x 1"
11	1800181	Short Link
12	1800190	Long Link w/Bushing [Includes 9; 10; 13]
13	1800191	Long Link
14	1800194	Pin Connector
15	1800195	Cylinder Pin Connector
16	1800197	Rotating Arm Assembly [Includes 19; 20; 2 of 17, 18 & 21]
17	1800880	External Retaining Ring - 1-1/2" Dia.
18	1800156	Bushing - 1-1/2" ID x 1-3/4" OD x 2"
19	1800199	Rotating Arm
20	1800203	Bushing - Turned
21	1800204	Shim - 1-1/2" ID x .047"
22	1800205	Hydraulic Cylinder - 2-1/2" x 15-1/4"
23	1800207*	Short Link Spacer
24	1800208	Long Link Pin
25	1800209	Base Tube Weldment
26	1800211*	Long/Short Link Pin
27	1800276*	Gearlock Bearing
28	1800265	Priority Control - 1-1/2 GPM
29	1800335	Roller Shaft Assembly - 10" [Includes 30; 31; 47; 48; 49; 2 of 50]
30	1800331	Roller Shaft
31	1800177	Roller - UMHW
32	1801276	Cable w/Turnbuckle - 30'
33	1801706	Manual Valve - 2 Spool RV
34	1800295*	Deflector Brace - 1"
35	1800231	Wind Deflector
36	1800247*	Long Tarp Strip
37	1800248*	Short Tarp Strip
38	1800889	Ladder Assembly
39	1800891	Connector - H
40	1801599	Front Hinge Assembly - Low Profile [Includes 44; 2 of 42 & 45; 4 of 43]
41	1800606	Hinge Pin Assembly
42	1800860	Flanged Bushing - 1-14" ID
43	1801600	Rear Hinge - Low Profile
44	1801603	Hinge Lid - Low Profile
45	1801601	Center & Rear Hinge Assembly - Low Profile [Includes 42; 45; 47; 2 of 43]
46	1801602	Center & Rear Hinge - Low Profile
47	1800977*	Shim - 1-1/4" ID x .047"
48	1800978*	Retaining Ring - 1-1/4"
49	1808766*	Retaining Ring Ext - 1" x .078"
50	1800250*	Shim - 1" ID x 1-1/2" OD x .047"

* These items are NOT shown in the drawing: numbered for future reference.



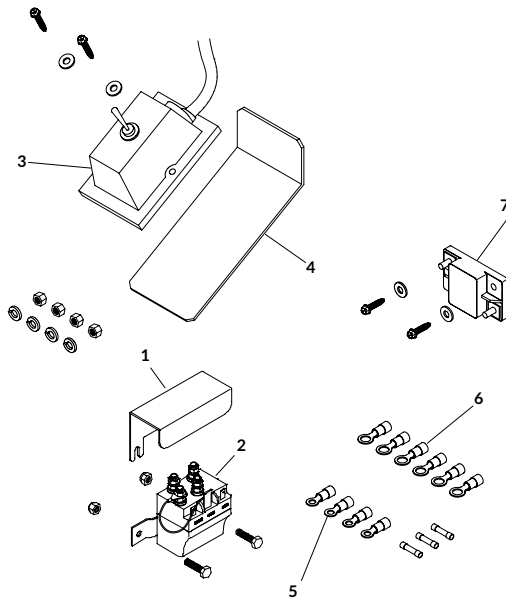
REPLACEMENT PARTS - QUICK-FLIP™ III

BASE ASSEMBLIES



ITEM	PART NO.	DESCRIPTION
	1801622	Base Assembly [Includes 3; 4; 6; 7; 8]
	1808652	Gantry Base Assembly - Fixed [Includes 1; 2]
1	1808655	Inner Stage Weldment - Fixed
2	1808653	Outer Stage Weldment - Fixed
3	1801621	Inner Stage Weldment
4	1801619	Outer Stage Weldment
5	1800306	Hydraulic Fitting - #4 JICM x 3/8" NPT x 90°
6	1800082	Cylinder - 1-1/2" x 42" x 1"
7	1801017	Hydraulic Fitting - 4MJ x 4MP x STR
8	1801018	Hydraulic Pressure Control Compensator - 1-3/4"
9	1801016	Hydraulic Fitting - 3/8MP x 90°
10	1800726	Mounting Channel
11	1801966	Mounting Angle

ELECTRICS



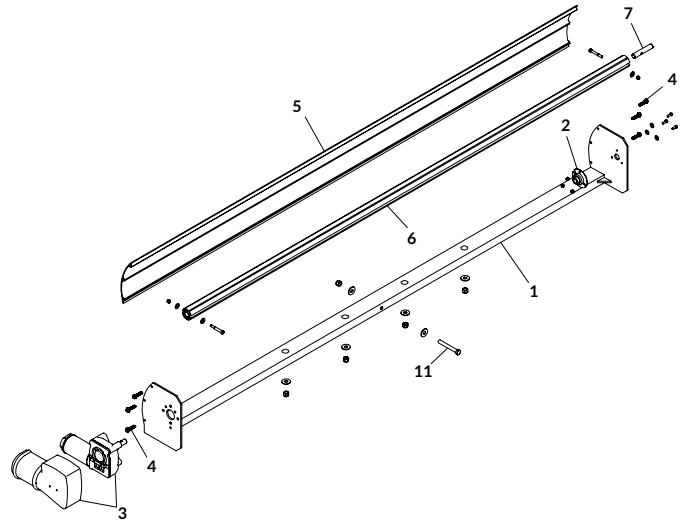
ITEM	PART NO.	DESCRIPTION
	1809051	Durabuilt™ Switch - 60 Amp - 12V "External Mount" [Includes 1; 2; 3; 4; 7; 4 of 5; 6 of 6 & 8]
1	1703896	Solenoid Cover
2	1703845	Motor-Reversing Solenoid
3	1801726	Toggle Switch - On/Off Marine (RT)
4	1801265	Mounting Switch Plate
5	1800430	Ring Terminal - 8 Ga. x 1/4" Stud
6	1801486	Ring Terminal - 8 Ga. x 3/8" Stud - Battery
7	1800417	Circuit Breaker - 60 Amp
8	1800158*	Ring Terminal - 4 Ga. x 3/8" Stud - Battery

* These items are NOT shown in the drawing; numbered for future reference.

REPLACEMENT PARTS - QUICK-FLIP™ III

HOUSINGS

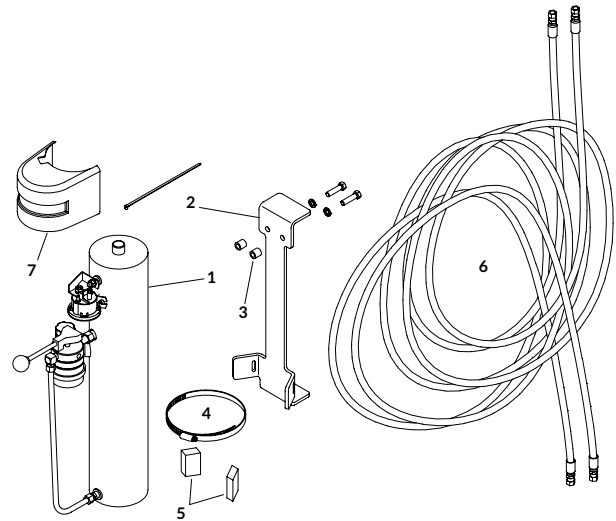
ITEM	PART NO.	DESCRIPTION
	1808662	Housing Assembly [Includes 1; 2; 3; 5; 6; 7; 6 of 4]
	1800737	Extruded Roller Bar Assembly [Includes 6 & 7]
1	1800491	Housing
2	1801950	Reversed Bearing Flange
3	1704878	Durabuilt™ Motor w/Cover - 3-1/8" Shaft
4	1800460	Self-Threading Bolt - 5/16" x 1-1/4"
5	1800477	Housing Deflector - 105-3/4"
6	1809330	Extruded Roller Bar
7	1800980	Shaft Extension - 3/4" x 4"



HYDRAULICS

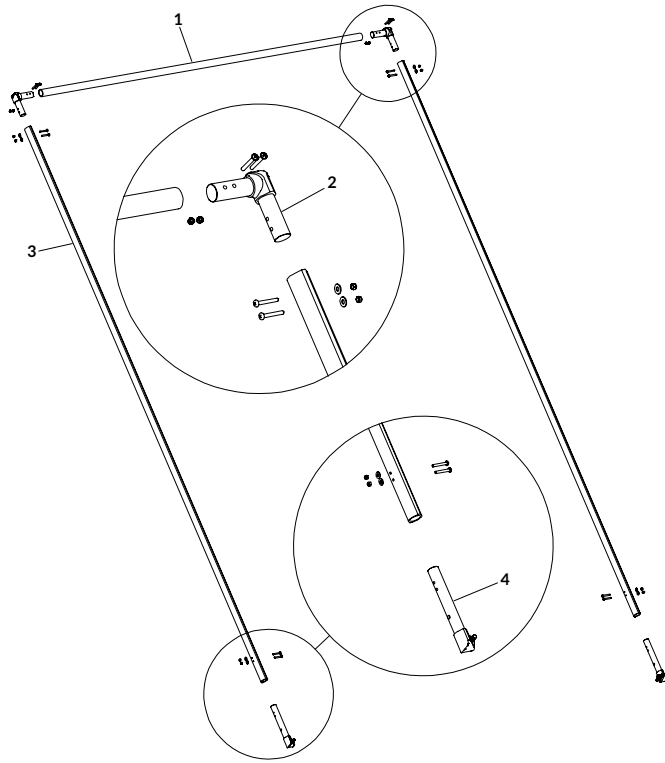
ITEM	PPART NO.	DESCRIPTION
	1801626	Hydraulic Pump Assembly [Includes 1; 2; 4; 8; 11; 2 of 3, 6, & 9; 4 of 10]
1	1800090	Hydraulic Pump - 12V M310
2	1801623	Pump Mounting Bracket
3	1801223	Pump Spacer
4	1800906	Clamp - 5" to 7"
5	1801125	Rubber Motor Mount
6	1801627	Hydraulic Hose - 84" OAL
7	1801015	Solenoid Cover - DL
8	1800458*	150-Amp Circuit Breaker
9	1800112*	Hydraulic Fitting - 4JIC x 1/4NPT x MI90
10	1800158*	Ring Terminal - 4 Ga. x 3/8" Stud - Battery
11	1800220*	Dual-Conductor Wire - 4 Ga. - 16'

* These items are NOT shown in the drawing: numbered for future reference.



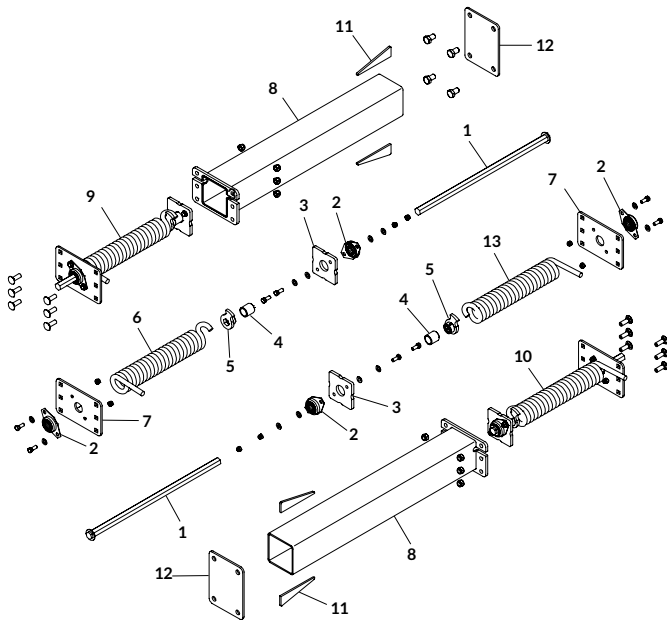
REPLACEMENT PARTS - QUICK-FLIP™ III

PIVOT ARMS — SINGLE AXLE & TRAILER



ITEM	PART NO.	DESCRIPTION
1	1800300	Aluminum Rear Cross Bar - 109"
2	1800597	Cast Elbow - 90°
3	1800421	Extrusion - Drilled - 150"
	1801241	Extrusion - Drilled - 240"
4	1801636	Spring Pivot Connector

SPRING PIVOTS — SINGLE AXLE & TRAILER

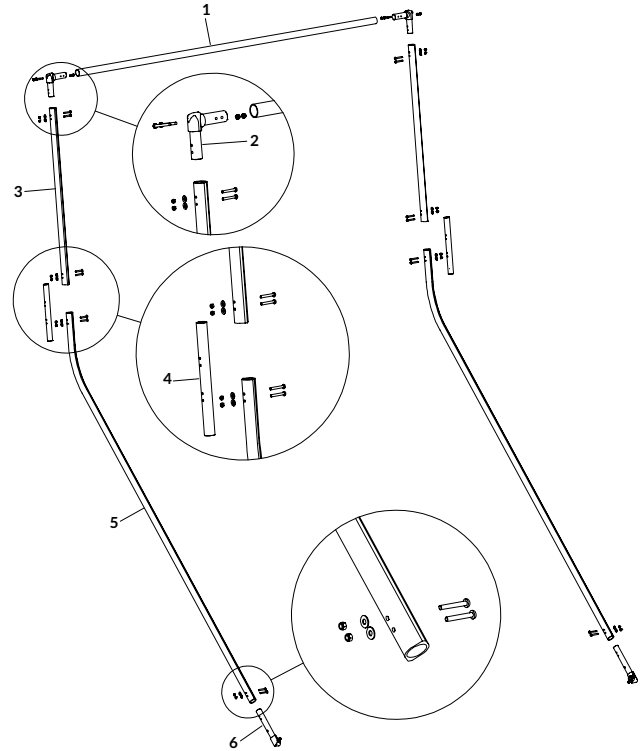


ITEM	PART NO.	DESCRIPTION
1	1808636	Spring Shaft - 23-1/4" x 7/8" Hex
2	1801243	Hex Bearing - 7/8" ID
3	1808639	Inner Bearing Plate
4	1808638	Bearing Spacer
5	1808637	Spring Catch - 7/8" Hex
6	1800279	22-Coil Spring - Left Side
7	1808640	Outer Bearing Plate
8	1808641	Spring Pivot Tube
9	1808635	Internal Spring Assembly - Left Side [Includes 1; 3; 4; 5; 6; 7; 2 of 2]
10	1808634	Internal Spring Assembly - Right Side [Includes 1; 3; 4; 5; 7; 13; 2 of 2]
11	1808646	Frame Mounting Gusset
12	1808645	Frame Mounting Plate - 4-1/2" SQ
13	1800280	22-Coil Spring - Right Side

REPLACEMENT PARTS - QUICK-FLIP™ III

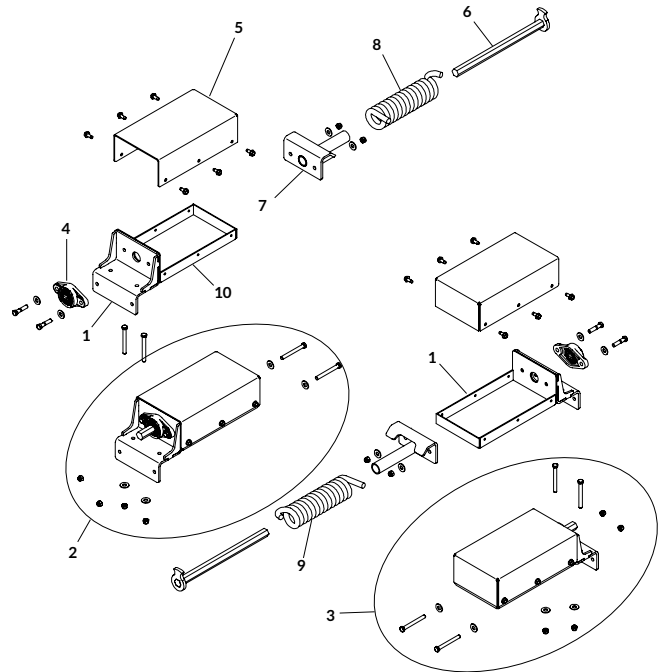
PIVOT ARMS – TANDEM/MULTI-AXLE

ITEM	PART NO.	DESCRIPTION
	1808751	Quick-Flip™ III Arm/Spring Kit - Multi Axle
1	1800300	Rear Cross Bar - Aluminum - 109"
2	1800597	Cast Elbow - 90°
3	1800548	Aluminum Upper Arm - 50"
4	1800547	Arm Coupler
5	1800545	Arm Extension - Drilled
6	1801636	Spring Pivot Connector



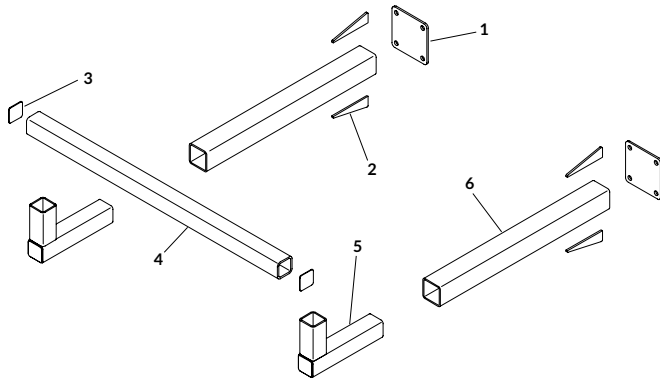
SPRING PIVOTS – TANDEM/MULTI-AXLE

ITEM	PART NO.	DESCRIPTION
	1808751	Quick-Flip™ III Arm/Spring Kit - Multi Axle
1	1808663	Spring Pivot Mount
2	1808665	Bridge Mount Spring Assembly - Left Side [Includes 2; 5; 6; 7; 8; 9; 11]
3	1808664	Bridge Mount Spring Assembly - Right Side [Includes 2; 5; 6; 7; 8; 9; 11]
4	1801082	Hex Flange Bore Unit
5	1808683	Spring Housing Cover
6	1808671	Spring Shaft - 14-1/4" x 7/8" Hex
7	1118955	Spring Retainer Weldment
8	1704476	Torsion Spring - Left Side
9	1704477	Torsion Spring - Right Side
10	1808669	Spring Housing Base



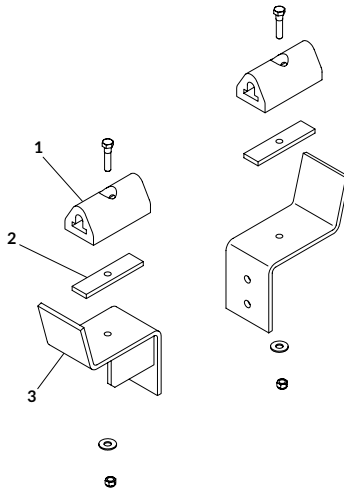
REPLACEMENT PARTS - QUICK-FLIP™ III

SPRING PIVOT SUPPORTS



ITEM	PART NO.	DESCRIPTION
	1808752	Spring Pivot Support Kit - Tandem [Includes 2 of 4; 4 of 1, 3, 5 & 6; 8 of 2]
1	1808673	Frame Mount Plate - 3" Sq.
2	1808646	Frame Mount Gusset
3	1808678	End Cap - 2-1/2" SQ
4	1808679	Spring Pivot Mount Tube
5	1808793	Spring Pivot Support Elbow
6	1808672	Spring Pivot Support Tube

PIVOT ARM RESTS

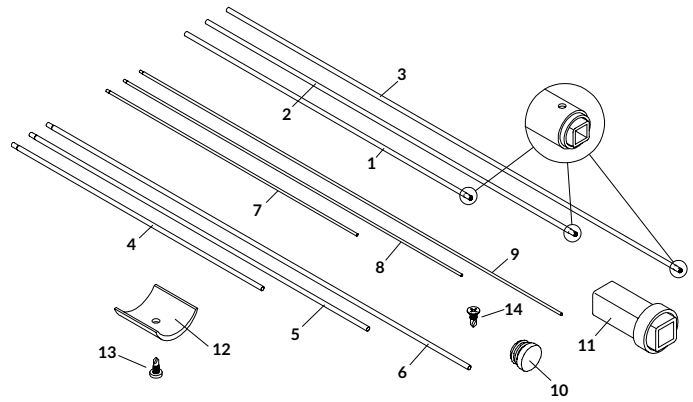


ITEM	PART NO.	DESCRIPTION
	1808659	Rubber Bumper Kit [Includes 2 of 1, 2 & 3]
1	1801012	Rubber Bumper - Drilled - 4"
2	1800140	Bumper Hold-Down Bar
3	1801324	Pivot Arm Rest

REPLACEMENT PARTS - DBR

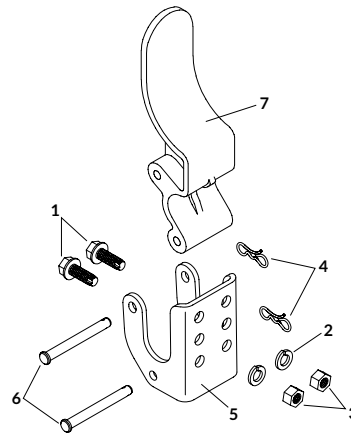
TARP TUBES

ITEM	PART #	DESCRIPTION
1	1105132	Roll Tube w/Square Key - 2" x 16'
2	1105131	Roll Tube w/Square Key - 2" x 20'
3	1105124	Roll Tube w/Square Key - 2" x 24'
4	1700048	Roll Tube - 2" x 16'
5	1700046	Roll Tube - 2" x 20'
6	1701427	Roll Tube - 2" x 24'
7	1700051	Fixed Tube - 1-1/8" x 16'
8	1700049	Fixed Tube - 1-1/8" x 20'
9	1701428	Fixed Tube - 1-1/8" x 24'
10	1700523	Plastic End Plug
11	1105033	Roll Tube Square Key Replacement
12	1701354	Plastic U-Clamp
13	1700398	Self-Drilling Screw - 1/4" x 3/4"
14	1704768	Self-Drilling Screw - 1/4" x 3/4"



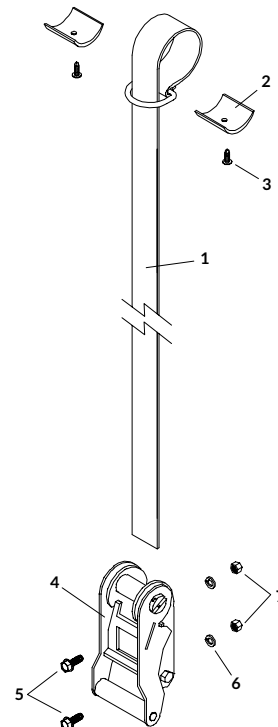
TARP STOPS

ITEM	PART #	DESCRIPTION
	1124780	Easy-Off Aluminum Tarp Stop Kit
	1124768	Easy-Off Aluminum Tarp Stop Assembly
1	1700400	Self-Tapping Screw - 3/8" x 1"
2	1700434	Lock Washer - 3/8"
3	1700407	Nut - 3/8"
4	1704380	Bowtie Cotter Pin
5	1100833	Easy-Off Tarp Stop Body
6	1703604	Clevis Pin - 5/16" x 2-7/8"
7	1705775	Easy-Off Aluminum (Cast) Tarp Stop Upright

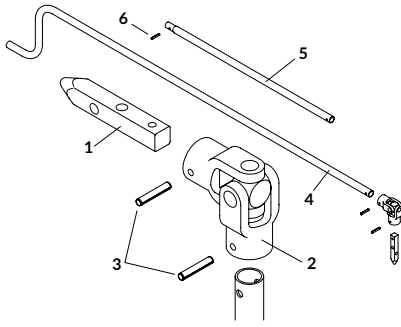


HOLDS DOWNS - BELT & RATCHET

ITEM	PART #	DESCRIPTION
	1106771	Strap Hold-Down Kit - 5'
	1106772	Strap Hold-Down Kit w/Hook - 9'
1	1100470	Strap Assembly - 5'
	1106774	Strap Assembly - 9'
2	1701354	Plastic U-Clamp
3	1700398	Self-Drilling Screw - 1/4" x 3/4"
4	1100457	Ratchet - 2"
5	1700400	Self-Tapping Screw - 3/8" x 1"
6	1700434	Lock Washer - 3/8"
7	1700407	Nut - 3/8"

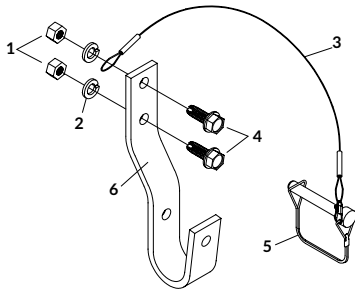


REPLACEMENT PARTS - DBR



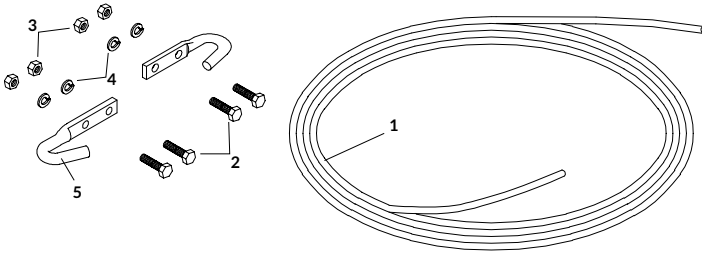
CRANK ARMS

ITEM	PART #	DESCRIPTION
	1100061	Standard Belt & Ratchet Crank Arm Kit
	1101500	Long Belt & Ratchet Crank Arm Kit
1	1115774	Pilot Crank Key
2	1700527	Econo U-Joint
3	1700445	Spring Pin - 1/4" x 1-1/2"
4	1100461	Offset Crank Arm
5	1107838	Square Crank Extension - 33"
6	1701118	Spring Pin - 1/4" x 1-3/16"



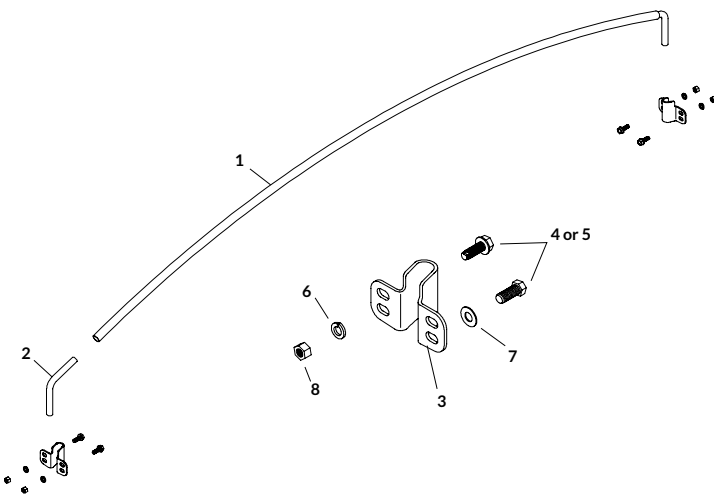
CRANK RETAINERS

ITEM	PART #	DESCRIPTION
	1101929	Offset Crank Retainer Kit
1	1700407	Nut - 3/8"
2	1700434	Lock Washer - 3/8"
3	1100574	Cable w/#5 Interlock Snap
4	1700400	Self-Tapping Screw - 3/8" x 1"
5	1700526	Wire Lock Pin - 3/8" x 2-1/2"
6	1101930	Offset J-Hook



ROPE RETURNS

ITEM	PART #	DESCRIPTION
	1100064	Rope Return Kit
1	1100469	Rope - 32'
2	1700381	Cap Screw - 1/4" x 1"
3	1700408	Nut - 1/4"
4	1700436	Lock Washer - 1/4"
5	1700682	Box Hook - 5/16" Holes



BOWS - STANDARD STEEL

ITEM	PART #	DESCRIPTION
	1100766	Standard Low-Rise Bow Kit - 93" to 102"
	1120353	Stainless Low-Rise Bow Kit - 93" to 102"
	1109130	Bow Mounting Kit - Universal
1	1100760	Standard Low-Rise Bow - 93" to 102"
	1119765	Stainless Low-Rise Bow - 93" to 102"
2	1100695	Standard Low-Rise Bow Shank
	1119766	Stainless Low-Rise Bow Shank
3	1120836	Single Bow Bracket
	1120975	Stainless Single Bow Bracket
4	1700400	Self-Tapping Screw - 3/8" x 1"
5	1703579	Stainless Cap Screw - 3/8" x 1"
6	1700434	Lock Washer - 3/8"
	1703576	Stainless Lock Washer - 3/8"
7	1703577	Stainless Flat Washer - 3/8"
8	1700407	Hex Nut - 3/8"
	1200999	Stainless Steel Hex Nut - 3/8"

SHUR-LOK® - Side-To-Side Roll Tarp System



STANDARD FEATURES

- Aluminum Latchplate
- Easy-Off Tarp Stops
- Shur-Flex™ Crank Arm
- Front Roll Return
- Offset Crank Retainers
- Electric Options Available



THE ORIGINAL AND STILL THE BEST!

Shur-Lok® provides you with watertight dependability, for increased productivity and less downtime – because more loads mean more profit. The Shur-Flex™ crank offers convenient flexibility. It folds at the knuckle and secures with offset or pinless offset retainers – no more pin-and-cable hassles.

The front fabric cap makes it easier to come over the top of the doghouse. Double bows secure into a double bow bracket – exactly the right spacing for tightening down the front of the tarp. The front stretch roll return guides the roll tarp over the end cap. Reinforced stitching along the radius corner of the fabric cap helps the tarp withstand the stresses of highway speed.

High-Lift End Gates

Our high-lift option is an offset adjustable bracket that allows the latchplate and tarp stop to be spaced out flush with the width of the end gate.

Shur-Flex™ Crank Arm

Our exclusive Shur-Flex™ crank arm allows you to store the crank on the side of the truck or trailer box rather than across the rear – avoiding obstacles like rear doors and gates.

Durabow™

The molded composite provides good support, keeps the tarp tight, reduces tarp wear and forms an arch to shed water. The resin bow flexes down to reduce loader damage, springs up into position to support the tarp.

Turning Point Bow™ System

Our exclusive locking system holds bows in place but unlocks with the pull of a rope to swing up and over loads without binding. Also available in electric.

Shur-Return™

Zinc-plated inside and out with a heavy-duty steel tension spring and 1/4" non-stretch solid braid rope. Assists the roll-tube across the truck or trailer when closing the tarp.



QR Code
Scan for
Additional
Product
Information



4500 SERIES HD - Electric Roll Tarp System



STANDARD FEATURES

- Magnetic Braking System
- Universal Mounting Brackets
- Front and Rear Torsion Arms
- Shur-Co® Patented SMARTwire™ Sealed Wire Harness
- Patented Gate Flex™ Option for End Dumps
- 3-Year Motor Warranty
- Remote Options Available



AMERICAN-MADE MOTOR!

The 4500 Series HD features a patented pivoting motor mount and custom motor shroud, a protective boot on its patented Flex Elbow, a control box with fully sealed switches and a patented SMARTwire™ sealed harness. The powerful motor features an all-metal gearbox and incredibly reliable magnetic brake.

Our 4500 Series HD gives you the smoothest and strongest tarp operation ever. It actually super-charges your Shur-Lok® using four spiral spring returns, front and back, to open and close the tarp with powerful, consistent tension – even in moderate wind situations. Our patented Gate Flex™ option allows the rear aluminum torsion arm to swing with the door out of the way. This extra flexibility provides a clear field of operation whether the gate opens from the side or the top.

Sealed Control Box

The new trailer mounted control box from Shur-Co® has fully sealed control switches for better internal component protection. The new design eliminates potential grime build up between switches which can cause sticking of buttons.

Shur-Co® Patented Pivoting Motor Mount

The pivoting motor mounting bracket offers freedom on two different axes to easily accommodate the occasional bent roll tube or uneven tarp roll. The custom protective bolt-on shroud provides additional motor protection from nature's elements.

Magnetic Braking System

The 4500 HD's motor produces optimal torque, not just an increase which can be detrimental to the system. The 4500 motor brakes through matched polarities, so there's no moving parts to fail.

Lifetime Warranty on Arms

Our heavy-duty arms are the strongest in the industry – so strong, in fact, that they're backed with a lifetime warranty. They come preassembled with the super-duty mounting bracket. The roller bearing-style rear arm bracket has a low-friction design that won't wear out.



QR Code
Scan for
Additional
Product
Information



SHUR-TRAK™ II - Front-To-Back Cable Tarp System



STANDARD FEATURES

- Universal Landing
- Twst-Lok™ Bow Shanks
- Durable 1/4" Cable w/Tension Scale
- SMART™ Remote Options Available
- Rolling Wheel Windguards or Continuous Wind Anchors
- Rear Bow Stabilizer



THE INDUSTRY'S ONLY PREMIUM CABLE SYSTEM!

Moves the bows out of the way for wide-open loading on dump bodies, belly dumps and end dumps! Fully deployed, the standard tarp-over-rail design gives coverage several inches over the side rail to shed water better. If water resistance is not a factor, our Short-Stop™ tarp option will eliminate friction, helping to extend the life of your tarp. (The tarp stops short of the inside rail.)

A universal landing with front cover is available in flat or raised style. The bolt-together design allows for trailer flex and offers easy installation. It squares radius corners and can be mounted out up to 18 inches on square corners for additional loading space.

Low Friction and High Strength

Our exclusive Twist-Lok™ bow shanks, constructed of low-friction/high-strength polymer, twist off without removing the cable. The shanks are available in standard and Short-Stop™ styles and let you replace damaged bows faster, with less effort.

Motor Options Available

Choose between our Durabuilt™ Direct Drive motor for systems under 24' or our chain drive Durabuilt™ and heavy-duty motor options for systems over 24'. Electric system is now available with our Shur-Co® exclusive SMART™ remotes.

Windguards

Wheel windguards with inline design can be added as needed to reduce binding. Another option is the continuous windguard with offset arm which positions the windhooks under the anchor as the system opens and closes. Its wider design, running the full length of the trailer, and close proximity to the bottom of the bow shanks decreases wind up underneath the sides of the tarp. This is ideal for replacement tarps, too, eliminating the problem of existing anchors lining up.

Tension Adjustments Made Easy

The improved cable tension scale is equipped with a thrust washer to make adjustment easy. A sight gauge shows if more tension is needed, a correction you can make with a few twists of your wrist.



QR Code
Scan for
Additional
Product
Information



IRONSIDE2™ - Side Dump Tarp System



STANDARD FEATURES

- Patented Dual-Pivot Design Ensure Long Motor Life
- Low-Profile Motor Design to Accommodate All Sizes of Side-Dump Trailers
- Shur-Co® Patented SMART™ Remote with single-touch “Express Mode”
- Direct-Drive Motor Eliminates Chain-Driven Reduction
- Motor Can be Mounted on Front or Rear of Trailer
- Shur-Co® Patented SMARTwire™ Features 100% Sealed Connections
- Shur-Co® Patented SMARTwire™



THE NEXT GENERATION IN SIDE DUMP TRAILER TARPING!

The IronSide2™ has been engineered and designed to operate under the harsh conditions of side-dump applications. Using the newest SMART™ technology increases productivity and reliability by sealing all wire connections, including the motor, and bringing Express Mode remote capabilities to the side dump industry. Standard reinforced mesh and sealed vinyl tarp options allow your side dump trailer to be used for many different applications.

Motor Upgrades

- Direct-Drive Motor - Eliminates chain stretching and corrosion failures.
- Hex-Through-Bore Design - Eliminates need for roll tube bolted connections direct to motor. Eliminates load on gearbox bearings and gears.
- Encoder Wire - Allows use of SMART™ remote operation. Improves motor protection, adds optional Express Mode operation.

Arm Upgrades

- Patented Flexible Arm and Motor Connection - Eliminates the axial load on the gearbox and transfers load to arm and roll tube.
- Low Profile Front Arm Location - Only 10" from arm mount to end of motor (original IronSide™ was 20").
- Black Powder-Coated Finish - Provides improved corrosion resistance and a cleaner look.

Spring Upgrades

- Compact Spring Design - Motor and spring pivot location closer to trailer. Lower pivot arm has 30° adjustability, allowing for more precision adjustments of spring tension.
- Black Powder-Coated Finish - Provides improved corrosion resistance and a cleaner look.
- Color-Coded Front and Rear Springs - Eliminates confusion of installing springs, allows for easier identification when ordering replacement springs. Front spring is black, rear spring is red.

SMARTwire™ Connections

- Molded Connections for Trailer and Motor - Eliminates corrosion issues. Allows for conversion from rocker switch to Shur-Co® Patented SMART™ remote in minutes. Decreases installation time.



QR Code
Scan for
Additional
Product
Information



SHURTITE™ BRAND PRODUCTS



OUR BUSINESS IS COVERING YOURS!



WE COVER...

- Dropdeck Trailers
- Gooseneck Trailers
- Specialty Trailers
- Straight Trucks
- Flatbed Trailers
- Custom Applications Available



QR Code
Scan for
Additional
Product
Information

CUSTOM GRAPHICS AVAILABLE!



NUMERICAL PARTS LISTING

PART NO.	DESCRIPTION	WEIGHT
1109015	Dual Conductor Socket Mounting Bracket	.9 lbs
1109016	Dual Conductor Kit - Vertical Pin	2.4 lbs
1109179	Chain #40 x 14' w/Master Link	5.8 lbs
1110551	Rotary Switch Heavy Duty	.4 lbs
1111027	Spring - Flat Coil Torsion	1 lbs
1111976	DuraPull™ Mounting Strip Kit - Aluminum - 84"	N/A
1114940	Arm-Matic™ Tarp Axle Stub Shaft - 5-1/2"	.7 lbs
1114961	Tarp Axle - Aluminum w/Holes - 103"	11.1 lbs
1115385	Dual Conductor Plug - Vertical Pin	.7 lbs
1115613	Tarp Axle - Aluminum - 91"	9.9 lbs
1115614	Tarp Axle - Aluminum - 97"	10.5 lbs
1116020	Rocker Switch 12V	.1 lbs
1116271	Electric Parts Kit w/Rocker Switch - 12V 50 Amp - w/o Wire	1.8 lbs
1116482	Wire 3-Strand - 14 Ga. - 15'	1.3 lbs
1116994	Arm-Matic™ Pivot Arm Bracket 5-Spring	3.2 lbs
1117093	Sprocket Weldment - 3-3/4" - Arm-Matic™ Complete Housing	1.2 lbs
1118495	Dual Conductor Wire - 6 Ga. - 30'	7.5 lbs
1118948	Arm-Matic™ 4- & 5-Spring Pivot Connector Hardware	.6 lbs
1118950	Arm-Matic™ 5-Spring Pivot Connector Weldment - Aluminum	2.9 lbs
1118951	Arm-Matic™ Tarp Crossover Tube - 100"	10 lbs
1118952	Arm-Matic™ Tarp Crossover Elbow	2.3 lbs
1118955	Arm-Matic™ Spring Retainer Bracket Weldment Under 29'	2.9 lbs
1119078	Dual Conductor Wire - 6 Ga. - 20'	4.7 lbs
1119080	Arm-Matic™ Side Plate - Left - Aluminum	2 lbs
1119081	Arm-Matic™ Side Plate - Right - Aluminum	2 lbs
1119082	Arm-Matic™ Electric Tarp Housing - Aluminum - 98"	68.7 lbs
1119083	Arm-Matic™ Aluminum Housing Shell - 98"	45.9 lbs
1119086	Tarp Axle - Aluminum - 103"	11.3 lbs
1119088	Arm-Matic™ Electric Tarp Housing - Aluminum - 104"	71 lbs
1119089	Arm-Matic™ Aluminum Housing Shell - 104"	51.9 lbs
1119092	Arm-Matic™ Aluminum Housing Support Bracket	3.9 lbs
1119096	Arm-Matic™ 4-Spring Pivot Assembly - Left	11.3 lbs
1119097	Arm-Matic™ 4-Spring Pivot Assembly - Right	11.3 lbs
1119098	Arm-Matic™ Pivot Arm Bracket - 4-Spring	3 lbs
1119105	Arm-Matic™ 5-Spring Pivot Assembly - Left	11.1 lbs
1119106	Arm-Matic™ 5-Spring Pivot Assembly - Right	11.1 lbs
1119107	Arm-Matic™ Drop Plate - Hex	3.4 lbs
1119110	Arm-Matic™ Drop Plate - Round	4.2 lbs
1119112	Arm-Matic™ Spring Pivot Connector Casting w/Set Screw Hex	3 lbs
1119329	Arm-Matic™ Spring Retainer Bracket - Over 29'	2 lbs
1119330	Arm-Matic™ Spring Assembly Bearing Support Angle - 20"	4 lbs
1119441	Arm-Matic™ 4-Spring Pivot Kit	24.3 lbs
1119442	Arm-Matic™ 5-Spring Pivot Kit	24.1 lbs
1119557	Dual Conductor Socket w/boot - Vertical Pin	.7 lbs
1119559	Arm-Matic™ Pillow Block Bearing 1" - Shaft Rear Support	2 lbs
1119560	Flange Bearing - 1" ID 2-Bolt	1.4 lbs
1119564	Arm-Matic™ Spring Assembly Bearing Support Channel - Steel - 20'	3.9 lbs
1119565	Arm-Matic™ Spring Assembly Bearing Support Channel - Aluminum - 20'	1.8 lbs
1119566	Arm-Matic™ Spring Assembly Underbody - Under 29' - Left	16.2 lbs
1119567	Arm-Matic™ Spring Assembly Underbody - Under 29' - Right	16.2 lbs
1119750	Tarp Roller Guide Kit	24 lbs
1120104	Tension Arm Pivot Clamp Bracket - Arm-Matic™/Flash™	.4 lbs
1120129	Tension Arm Kit - 10' Arms Straight - Arm-Matic™	31.4 lbs
1120130	Tension Arm Kit - 12' Arms Straight - Arm-Matic™	45 lbs
1120131	Tension Arm Kit - 14' Arms Straight - Arm-Matic™	50 lbs
1120227	Arm-Matic™ Spring Assembly Under Rail - Under 29' - Left	24 lbs
1120228	Arm-Matic™ Spring Assembly Under Rail - Under 29' - Right	24 lbs
1120229	Arm-Matic™ Spring Assembly Underbody - Over 29' - Left	19.3 lbs
1120230	Arm-Matic™ Spring Assembly Underbody - Over 29' - Right	19.3 lbs

NUMERICAL PARTS LISTING

PART NO.	DESCRIPTION	WEIGHT
1120231	Arm-Matic™ Spring Assembly Under Rail - Over 29' - Left	24 lbs
1120232	Arm-Matic™ Spring Assembly Under Rail - Over 29' - Right	24 lbs
1120233	Arm-Matic™ Spring Assembly Underbody Framless w/27" Shaft - Left	23 lbs
1120234	Arm-Matic™ Spring Assembly Underbody Framless w/27" Shaft - Right	23 lbs
1120235	Arm-Matic™ Spring Assembly Underbody Framless w/24" Shaft - Left	23 lbs
1120236	Arm-Matic™ Spring Assembly Underbody Framless w/24" Shaft - Right	23 lbs
1120237	Arm-Matic™ Spring Assembly Underbody Framless w/31" Shaft - Left	25 lbs
1120238	Arm-Matic™ Spring Assembly Underbody Framless w/31" Shaft - Right	25 lbs
1120258	Arm-Matic™ Return Arm Kit - 30° Bend - 10'	67 lbs
1120259	Arm-Matic™ Return Arm Kit - 30° Bend - 12'	54 lbs
1120260	Arm-Matic™ Return Arm Kit - 30° Bend - 14'	60 lbs
1120261	Arm-Matic™ Return Arm Kit - Straight - 16'	60 lbs
1120262	Arm-Matic™ Return Arm Kit - Straight - 18'	70 lbs
1120263	Arm-Matic™ Return Arm Kit - Straight - 20'	80 lbs
1120265	Arm-Matic™ Front Drive w/Sideplates/Windshield Kit - 98"	65 lbs
1120266	Arm-Matic™ Front Drive w/Sideplates/Windshield Kit - 104"	66 lbs
1120267	Arm-Matic™ Wind Deflector w/Side Plates Kit - 98"	35 lbs
1120268	Arm-Matic™ Wind Deflector w/Side Plates Kit - 104"	37 lbs
1120348	Arm-Matic™ Crank Handle Assembly	1.8 lbs
1120349	Arm-Matic™ Chain Drive Crank Assembly	18 lbs
1120350	Arm-Matic™ Manual Crank Relocator Kit	27.6 lbs
1120371	Arm-Matic™ Manual Crank Tarp Housing - Aluminum - 98"	58 lbs
1120372	Arm-Matic™ Manual Crank Tarp Housing - Aluminum - 104"	61 lbs
1120376	Sprocket Weldment - 3-3/4" - Hammer™ II/Arm-Matic™	1.2 lbs
1120378	Arm-Matic™ Chain Sprocket Guard	.3 lbs
1120379	Arm-Matic™ Chain Guard Base Bracket	1.6 lbs
1120380	Arm-Matic™ Chain Guard Bracket Standard	.2 lbs
1120388	Return Arm Anchor Clamp Bracket - Arm-Matic™	.3 lbs
1120389	Arm Hold Down Kit - Arm-Matic™/Flash™	6 lbs
1120390	Arm-Matic™ Hold Down Strap Assembly - 8'	.6 lbs
1120397	Arm-Matic™ Chain Guard Bracket Short	.1 lbs
1120399	Arm-Matic™ Chain Guard	6.5 lbs
1120465	Arm-Matic™ Chain Guard Kit Full Length	26 lbs
1121319	Tarp Housing Shield - Steel - 96" - DuraPull™/Arm-Matic™	60 lbs
1121320	Tarp Housing Shield - Steel - 102" - DuraPull™/Arm-Matic™	62 lbs
1121321	Tarp Housing Shield Brace Steel DuraPull™/Arm-Matic™	7.2 lbs
1121322	DuraPull™ Tarp Spool Assembly - 96"	26.8 lbs
1121323	DuraPull™ Tarp Spool Assembly - 102"	28 lbs
1121337	DuraPull™ Tarp Spool Tube Only - 94-3/4"	15.2 lbs
1121338	DuraPull™ Tarp Spool Tube Only - 100-3/4"	21 lbs
1121339	DuraPull™ Ratchet Assembly	1.9 lbs
1121350	DuraPull™ Pull Bar Kit - 104"	5 lbs
1121351	DuraPull™ Pull Bar Guide	1 lbs
1121355	DuraPull™ Pull Bar Roller	.3 lbs
1121365	DuraPull™ Mounting Strip Kit - Steel - 96"	8.8 lbs
1121366	DuraPull™ Mounting Strip Kit - Aluminum - 96"	6.7 lbs
1121386	DuraPull™ Mounting Strip Kit - Steel - 102"	9.4 lbs
1121387	DuraPull™ Mounting Strip Kit - Aluminum - 102"	7.1 lbs
1121526	Cab Wiring Kit - 50 Amp - Rocker - 20'	9 lbs
1121557	Tarp Housing Shield - Steel - 92" - DuraPull™/Arm-Matic™	58 lbs
1121558	DuraPull™ Tarp Spool Assembly - 92"	25.1 lbs
1121559	DuraPull™ Tarp Spool Tube Only - 90-3/4"	13.7 lbs
1121574	DuraPull™ Mounting Strip Kit - Aluminum - 90"	6.3 lbs
1121923	Tarp Housing Shield - Steel - 80" - DuraPull™/Arm-Matic™	53 lbs
1121924	DuraPull™ Tarp Spool Assembly - 80"	24 lbs
1121925	DuraPull™ Tarp Spool Tube Only - 78-3/4"	7 lbs
1121958	Tarp Housing Shield - Steel - 88" - DuraPull™/Arm-Matic™	55 lbs
1121959	DuraPull™ Tarp Spool Assembly - 88"	25 lbs
1121960	DuraPull™ Tarp Spool Tube Only - 86-3/4"	9 lbs

NUMERICAL PARTS LISTING

PART NO.	DESCRIPTION	WEIGHT
1121965	Tarp Housing Shield - Steel - 84" - DuraPull™/Arm-Matic™	54 lbs
1121966	DuraPull™ Tarp Spool Assembly - 84"	25 lbs
1121967	DuraPull™ Tarp Spool Tube Only - 82-3/4"	8 lbs
1121971	DuraPull™ Mounting Strip Kit - Steel - 80"	7.4 lbs
1121972	DuraPull™ Mounting Strip Kit - Steel - 84"	7.7 lbs
1121973	DuraPull™ Mounting Strip Kit - Steel - 82"	7.6 lbs
1121974	DuraPull™ Mounting Strip Kit - Aluminum - 80"	5.6 lbs
1121976	DuraPull™ Mounting Strip Kit - Aluminum - 82"	5.7 lbs
1122940	Cab Wiring Kit- 50 Amp - Rocker - 30'	10.9 lbs
1123007	Arm-Matic™ Return Arm Kit - 30° Bend - 20' w/7'	90 lbs
1123050	Dual Conductor Kit - Horizontal Pin	2.8 lbs
1125250	Arm-Lok™ Kit - Truck Mount	18.8 lbs
1125251	Arm-Lok™ Assembly - Right	10 lbs
1125252	Arm-Lok™ Housing Base - Right	3.5 lbs
1125255	Arm-Lok™ Housing Cover - Right	.9lbs
1125256	Arm-Lok™ Locking Pin	.9 lbs
1125257	Arm-Lok™ Cylinder Mount Plate	.9 lbs
1125258	Arm-Lok™ Housing Mounting Bracket - Left Side	.6 lbs
1125259	Arm-Lok™ Lock Housing Mounting Bracket	.3 lbs
1125260	Arm-Lok™ Cylinder Rod Clevis	0.1 lbs
1125261	Arm-Lok™ Assembly - Left	10 lbs
1125262	Arm-Lok™ Housing Base - Right Side	3.5 lbs
1125265	Arm-Lok™ Housing Cover - Right Side	.9 lbs
1125266	Arm-Lok™ Housing Mounting Bracket - Right Side	.6 lbs
1125267	Arm-Lok™ Valve Mounting Bracket	.2 lbs
1125270	Arm-Lok™ Anchor Bracket - Arm-Matic™/Flash™	38 lbs
1125274	Arm-Lok™ Anchor Catch Sleeve - 2"	.1 lbs
1125316	Arm-Matic™ Spring/Arm Kit w/2' Bend - 10'	92 lbs
1125317	Arm-Matic™ Spring/Arm Kit w/2' Bend - 12'	99.1 lbs
1125416	Arm-Matic™ Tarp Crossover Kit - 2-Piece	22.1 lbs
1125417	Arm-Matic™ Side Plate - Left - Steel	2.6 lbs
1125418	Arm-Matic™ Side Plate - Right - Steel	2.7 lbs
1125419	Arm-Matic™ Housing Shell w/Side Plates - Steel - 92"	85 lbs
1125420	Arm-Matic™ Electric Tarp Housing - Steel - 92"	105 lbs
1125421	Arm-Matic™ Housing Shell w/Side Plates - Steel - 96"	90 lbs
1125422	Arm-Matic™ Electric Tarp Housing - Steel - 96"	110 lbs
1125423	Tarp Axle - Aluminum - 95"	10.3 lbs
1125424	Arm-Matic™ Housing Shell w/Side Plates - Steel - 102"	95 lbs
1125425	Arm-Matic™ Electric Tarp Housing - Steel - 102"	115 lbs
1125426	Tarp Axle - Aluminum - 101"	11.1 lbs
1125632	DuraPull™ System - Steel Mount - 80"	122 lbs
1125633	DuraPull™ System - Aluminum Mount - 80"	122 lbs
1125634	DuraPull™ System - Steel Mount - 84"	122 lbs
1125635	DuraPull™ System - Aluminum Mount - 84"	122 lbs
1125636	DuraPull™ System - Steel Mount - 88"	122 lbs
1125637	DuraPull™ System - Aluminum Mount - 88"	122 lbs
1125638	DuraPull™ System - Steel Mount - 92"	127.3 lbs
1125639	DuraPull™ System - Aluminum Mount - 92"	125 lbs
1125640	DuraPull™ System - Steel Mount - 96"	132 lbs
1125641	DuraPull™ System - Aluminum Mount - 96"	127 lbs
1125642	DuraPull™ System - Steel Mount - 102"	135 lbs
1125643	DuraPull™ System - Aluminum Mount - 102"	135 lbs
1125800	Arm-Lok™ Kit - Trailer	25 lbs
1125819	Arm-Matic™ System - 30° Bend - Up to 18'	145.2 lbs
1125820	Arm-Matic™ System - 30° Bend - Up to 24'	108.1 lbs
1125821	Arm-Matic™ System Belly Dump - Straight - Up to 18'	165 lbs
1125827	Arm-Matic™ System End Dump - 30° Bend - Up to 24' w/96" Housing	165 lbs
1125828	Arm-Matic™ System End Dump - 30° Bend - Up to 24' w/102" Housing	165 lbs
1125831	Arm-Matic™ System End Dump - Straight - Up to 37' w/96" Housing	210 lbs

NUMERICAL PARTS LISTING

PART NO.	DESCRIPTION	WEIGHT
1125832	Arm-Matic™ System End Dump - Straight - Up to 37' w/102" Housing	220 lbs
1125989	Arm-Lok™ Anchor Bracket - Bullet™	.3 lbs
1126643	Tarp Housing Shield - Steel - 90" - DuraPull™/Arm-Matic™	57 lbs
1126644	DuraPull™ Tarp Spool Assembly - 90"	25 lbs
1126645	DuraPull™ System - Steel Mount - 90"	125 lbs
1126646	DuraPull™ System - Aluminum Mount - 90"	125 lbs
1126647	DuraPull™ Tarp Spool Tube Only - 88-3/4"	11.5 lbs
1127025	Arm-Matic™ Wind Deflector Kit - 104"	27.4 lbs
1127027	DBR System - 12' Container w/Tarp	109 lbs
1127028	DBR System - 14' Container w/Tarp	109 lbs
1127029	DBR System - 16' Container w/Tarp	109 lbs
1127030	DBR System - 18' Container w/Tarp	109 lbs
1127031	DBR System - 20' Container w/Tarp	109 lbs
1127032	DBR System - 22' Container w/Tarp	110.5 lbs
1127033	DBR System - 24' Container w/Tarp	115 lbs
1127034	DBR System - 26' Container w/Tarp	115 lbs
1127035	DBR System - 45' x 96" OTV/Transfer Trailer w/Tarp	150 lbs
1127036	DBR System - 48' x 96" OTV/Transfer Trailer w/Tarp	160 lbs
1127037	DBR System - 53' x 96" OTV/Transfer Trailer w/Tarp	170 lbs
1127038	DBR System - 45' x 102" OTV/Transfer Trailer w/Tarp	150 lbs
1127039	DBR System - 48' x 102" OTV/Transfer Trailer w/Tarp	160 lbs
1127040	DBR System - 53' x 102" OTV/Transfer Trailer w/Tarp	170 lbs
1128200	DuraPull™ Tarp Spool End Cap Assembly	.5 lbs
1128260	Spring Trap II Kit	32.4 lbs
1129234	DuraPull™ Mounting Strip Kit - Steel - 90"	N/A
1129431	DuraPull™ Mounting Strip Kit - Aluminum - 88"	6.1 lbs
1129432	DuraPull™ Mounting Strip Kit - Steel - 88"	8.1 lbs
1700682	Box Hook - 5/16" Holes	.2 lbs
1700836	Ratchet 1" Webbing Wide Handle	.8 lbs
1701057	Chain #40 Master Link	.1 lbs
1701595	DuraPull™ Pullbar End Plug	.1 lbs
1702707	Ring Terminal - 6 Ga. x 1/4" Stud - Motor/Solenoid	.1 lbs
1702881	DuraPull™ Pawl Washer - 3/8"	.1 lbs
1702888	Retaining Ring - 1-1/4"	.1 lbs
1703231	Cable Tie - 8"	.1 lbs
1703244	Ring Terminal - 6 Ga. x 3/8" Stud - Battery	.1 lbs
1703245	Ring Terminal - 6 Ga. x #10 Stud - Motor/Breaker	.1 lbs
1703374	Radial Ball Bearing W/Flanges - 3/4" 2-Hole	.5 lbs
1703659	Push-On Terminal - Switch/Solenoid - 14 Ga. x 1/4"	.1 lbs
1703661	Rocker Switch Mounting Bracket	.1 lbs
1703822	Dual Conductor Wire - 6 Ga. per Foot	.3 lbs
1703845	Motor Reversing Solenoid - 12V	1.3 lbs
1703896	Motor Reversing Solenoid Cover	.1 lbs
1704153	Ring Terminal - 14 Ga. x 1/4" Stud - Solenoid	.1 lbs
1704456	Flange Bearing - 7/8" Hex - 2-Bolt	1.3 lbs
1704458	Rubber Bumper - 3-1/4" x 4-1/2" - Black Round	1.5 lbs
1704468	Arm-Matic™ 4-Spring Casting Flange Bushing	.1 lbs
1704472	Arm-Matic™ Spring Shaft - 1" OD 7/8" Hex End 19" Long	4.5 lbs
1704473	Arm-Matic™ Spring Shaft - 1" OD 7/8" Hex End 24" Long	7.3 lbs
1704474	Arm-Matic™ 4-Spring Pivot Connector Casting	4.2 lbs
1704476	Spring - 15 Coil Torsion - Left	8.5 lbs
1704477	Spring - 15 Coil Torsion - Right	8.5 lbs
1704478	Arm-Matic™ Spring Shaft - 1" OD 7/8" Hex End 27" Long	6.3 lbs
1704479	Arm-Matic™ Spring Shaft - 1" OD 7/8" Hex End 31" Long	5.6 lbs
1704480	Arm-Matic™ Spring Shaft - 7/8" Hex 14 7/8" Long	4.5 lbs
1704484	Arm-Matic™ Wind Deflector - 98"	16 lbs
1704485	Arm-Matic™ Wind Deflector - 104"	17 lbs
1704489	Arm-Matic™ Locking Collar - 7/8" Hex	.2 lbs
1704642	Tension Arm Pivot Connector - Arm-Matic™/Flash™	1.1 lbs

NUMERICAL PARTS LISTING

PART NO.	DESCRIPTION	WEIGHT
1704643	Bushing - 9/16" X 9/16" Tension Arm	.02 lbs
1704765	DuraPull™ Internal Return Spring	5.6 lbs
1704878	Durabuilt™ Motor 900W Direct Drive 12V	15.1 lbs
1704904	DuraPull™ Ratchet/Pawl Spring	.1 lbs
1704907	Cotter Pin - 1/8" x 1"	.1 lbs
1705585	Air Brake Tubing Nylon DOT - 5/32" OD - Black	.1 lbs
1705586	Arm-Lok™ Toggle Valve - 2 Position	.2 lbs
1705587	Arm-Lok™ Pneumatic Pressure Protection Valve 70 PSI	.5 lbs
1705588	Air Fitting - Union Tee - 5/32"	.1 lbs
1705589	Air Fitting - 5/32" x 1/8"	.1 lbs
1705590	Air Fitting - 90° Swivel - 5/32" x 1/8"	.1 lbs
1705591	Arm-Lok™ Hex Bushing Adapter - 3/8" x 1/8"	.1 lbs
1705593	Arm-Lok™ Hex Nipple Adapter - 3/8" x 3/8"	.1 lbs
1705600	Air Cylinder - 1" x 2-1/2" Stroke	.5 lbs
1800000	Arm/Pull Tarp HD Black Mesh - 90" x 10'	8 lbs
1800001	Arm/Pull Tarp HD Black Mesh - 90" x 12'	9 lbs
1800002	Arm/Pull Tarp HD Black Mesh - 90" x 14'	10 lbs
1800003	Arm/Pull Tarp HD Black Mesh - 90" x 16'	11 lbs
1800004	Arm/Pull Tarp HD Black Mesh - 90" x 18'	12 lbs
1800005	Arm/Pull Tarp HD Black Mesh - 90" x 20'	13 lbs
1800006	Arm/Pull Tarp HD Black Mesh - 90" x 22'	14 lbs
1800007	Arm/Pull Tarp HD Black Mesh - 90" x 24'	16 lbs
1800008	Arm/Pull Tarp HD Black Mesh - 90" x 26'	17 lbs
1800009	Arm/Pull Tarp HD Black Mesh - 90" x 30'	19 lbs
1800010	Arm/Pull Tarp HD Black Mesh - 90" x 32'	20 lbs
1800015	Hy-Tower™ Roller Bar Shaft Weldment	12 lbs
1800016	Hy-Tower™ Roller Bar End Cap w/o Bearing	1.1 lbs
1800017	2000SR Pull Bar Shaft Collar	.2 lbs
1800021	J-Hook Steel	.2 lbs
1800024	Hand Tarp Multi-Color Mesh - 5' x 7'	4 lbs
1800025	Hand Tarp Multi-Color Mesh - 6' X 8'	5 lbs
1800028	Dual Conductor Wire - 8 Ga. 60'	12 lbs
1800032	Circuit Breaker 12V 25 Amp Panel Mount Manual Reset	.1 lbs
1800033	2000SR Roller Bar Assembly	33 lbs
1800034	2000SR Pull Bar Kit	6.8 lbs
1800036	Chain Guard MD Kit	12 lbs
1800037	Spring - Extension Spring - 25" - 5000 Side	3 lbs
1800038	5000 Steel Tarp Axle	9 lbs
1800041	Chain - 3/16" - 12"	.4 lbs
1800042	Flange Bearing - 3/4" Bore 2-Hole	.5 lbs
1800045	Shaft Collar - 3/4"	.1 lbs
1800047	2000SR System w/Housing	110 lbs
1800050	Strap - Rubber - 15" w/S-Hook	11.8 lbs
1800051	Strap - Rubber - 21" w/S-Hook	.4 lbs
1800052	Strap - Rubber - 31" w/S-Hook	.4 lbs
1800057	Spring - 1/2" Torsion - Right	5.3 lbs
1800058	Chain #40 Master Link	1.4 lbs
1800060	Sprocket - 40-B-36 x 3/4"	3.5 lbs
1800063	Strap - Rubber - 41" w/S-Hook	.5 lbs
1800073	Hy-Tower™ Roll Tube - 94-1/2"	18.3 lbs
1800074	Arm/Pull Tarp Lumite - 90" x 12'	6 lbs
1800075	Arm/Pull Tarp Lumite - 90" x 14'	6 lbs
1800076	Arm/Pull Tarp Lumite - 90" x 16'	7 lbs
1800077	Arm/Pull Tarp Lumite - 90" x 18'	7 lbs
1800078	Arm/Pull Tarp Lumite - 90" x 20'	8 lbs
1800079	Arm/Pull Tarp Lumite - 90" x 22'	9 lbs
1800080	Chain #60 Master Link	.1 lbs
1800081	Chain #60 Per Foot	9 lbs
1800082	Cylinder Hydraulic - 1-1/2" x 42" x 1" - Hy-Tower™ DL/Quick-Flip III™	28.3 lbs

NUMERICAL PARTS LISTING

PART NO.	DESCRIPTION	WEIGHT
1800083	Hy-Tower™ Internal Return Spring	30.9 lbs
1800084	Sprocket - 60-B-10 x 1"	.9 lbs
1800085	Hy-Tower™ DL Base Kit	309.9 lbs
1800086	Spring - Torsion - 5/8" - Left	9 lbs
1800087	2000SR Pull Bar - Aluminum - 104"	4 lbs
1800088	Crank Box Kit MD - Ground Level	7 lbs
1800089	Shaft Collar - 3/4"	.2 lbs
1800090	Hydraulic Pump - 12V - Hy-Tower™ DL/Quick-Flip™ III	35 lbs
1800101	Spring - Torsion - 5/8" - Right	9 lbs
1800112	Hydraulic Fitting - #4 JIC x 1/4" NPT - 90°	.1 lbs
1800121	Manual to Electric Conversion Kit - Truck Mount	70 lbs
1800123	5000X Pivot Arm Assembly - Left	21 lbs
1800124	5000X Pivot Arm Assembly - Right	21 lbs
1800131	2000SR Pull Bar Hardware Kit	2.8 lbs
1800135	2000SR Pull Bar Tailgate Latch	.2 lbs
1800140	Quick-Flip™ III Bumper Hold Down Bar	.3 lbs
1800141	Arm/Pull Tarp HD Black Mesh - 84" x 10'	7 lbs
1800142	Arm/Pull Tarp HD Black Mesh - 84" x 32'	20 lbs
1800143	Arm/Pull Tarp Lumite - 90" x 10'	5 lbs
1800144	Liner Bag - 4-Mil - Black	11 lbs
1800145	Liner Bag - 6-Mil - Black	38 lbs
1800146	Econo Liner Bag - 4 Mil - Black	20 lbs
1800147	Econo Liner Bag - 6 Mil - Black	38 lbs
1800148	Spring - 1/2" Torsion - Left	5.3 lbs
1800151	Sprocket - 40-B-13 x 1"	N/A
1800155	5000 Crank Handle Spring Clip	.1 lbs
1800156	Bushing - 1-1/2" ID X 1-3/4" OD X 2" Long - Rotating Arm	.3 lbs
1800162	Double-Flip™ Center Lid Weldment	15.4 lbs
1800164	Double-Flip™ Front Lid Weldment	50 lbs
1800166	Double-Flip™ Rear Lid Weldment	23 lbs
1800173	Double-Flip™ Lid Extension Weldment - Right	3.9 lbs
1800174	Double-Flip™ Lid Extension Weldment - Left	4.5 lbs
1800177	Lid Roller UHMW - Sidewinder™/Sidewinder™ 350/Double-Flip™	.4 lbs
1800178	Crank Box HD - Ground Level	14 lbs
1800180	Short Link Assembly - Sidewinder™/Sidewinder™ 350/Double-Flip™	2.8 lbs
1800181	Short Link Weldment - Sidewinder™/Sidewinder™ 350/Double-Flip™	2.8 lbs
1800185	Chain Guard HD Upper	8 lbs
1800186	Chain Guard HD Lower	8 lbs
1800188	Chain #40 - 10' Long	4.5 lbs
1800189	Double Flip™ Backhoe Actuator Assembly	28 lbs
1800190	Rotating Arm Long Link Assembly - Sidewinder™/Double-Flip™	5.2 lbs
1800191	Rotating Arm Long Link Weldment - Sidewinder™/Double-Flip™	.7 lbs
1800192	5000 Spring Attachment Angle	.2 lbs
1800194	Double-Flip™ Rotating Arm/Cylinder Pin Connector	2.8 lbs
1800195	Double-Flip™ Cylinder Pin Connector	1 lbs
1800197	Rotating Arm Assembly - Sidewinder™/Sidewinder™ 350/Double-Flip™	29 lbs
1800199	Rotating Arm Weldment - Sidewinder™/Sidewinder™ 350/Double-Flip™	28 lbs
1800203	Bushing Turned Rotating Arm	.1 lbs
1800204	Shim - 1-1/2" x .047" - Sidewinder™/Sidewinder™ 350/Double-Flip™	.1 lbs
1800205	Hydraulic Cylinder - 2-1/2" x 15-1/4" - Sidewinder™/Double-Flip™	19 lbs
1800207	Short Link Spacer - Sidewinder™/Sidewinder™ 350/Double-Flip™	.2 lbs
1800208	Rotating Arm Long Link Pin - Sidewinder™/Double-Flip™	1.1 lbs
1800209	Double-Flip™ Actuator Base Tube Weldment	83 lbs
1800211	Rotating Arm Short/Long Link Pin - Sidewinder™/Double-Flip™	1 lbs
1800220	Dual Conductor Wire - 4 Ga. - 16'	16 lbs
1800221	Dual Conductor Wire - 4 Ga. - 9'	9 lbs
1800231	Double-Flip™ Wind Deflector	22 lbs
1800238	Hy-Tower™ DL Cylinder Seal Kit	.1 lbs
1800239	2000SR Pull Rope Assembly	3.1 lbs

NUMERICAL PARTS LISTING

PART NO.	DESCRIPTION	WEIGHT
1800240	5000 Pivot Arm - Right	12 lbs
1800241	5000 Pivot Arm - Left	12 lbs
1800250	Sidewinder™ II Shim - 1" x 1-1/2" x .047"	.1 lbs
1800254	Steel Arm Rest Bracket	2.6 lbs
1800256	Arm/Pull Tarp Vinyl - 90" x 10' - Black	12 lbs
1800257	Arm/Pull Tarp Vinyl - 90" x 12' - Black	14 lbs
1800258	Arm/Pull Tarp Vinyl - 90" x 14' - Black	16 lbs
1800259	Arm/Pull Tarp Vinyl - 90" x 16' - Black	18 lbs
1800260	Arm/Pull Tarp Vinyl - 90" x 18' - Black	20 lbs
1800261	Arm/Pull Tarp Vinyl - 90" x 20' - Black	22 lbs
1800262	Arm/Pull Tarp Vinyl - 90" x 22' - Black	24 lbs
1800263	Arm/Pull Tarp Vinyl - 90" x 24' - Black	26 lbs
1800264	Arm/Pull Tarp Vinyl - 90" x 26' - Black	28 lbs
1800265	Double-Flip™ Priority Flow Control Valve - 1-1/2" GPM	5.9 lbs
1800275	Crank Handle MD - Crank Box	2 lbs
1800276	Bearing Garlock - 1" ID x 1-1/8" OD x 1/2" Long Sidewinder™/Double-Flip™	.5 lbs
1800279	Spring - 22-Coil - Left	13 lbs
1800280	Spring - 22-Coil - Right	13 lbs
1800282	Sidewinder™ Cylinder Mount Weldment	22 lbs
1800286	Sidewinder™ Backhoe Actuator Assembly - Left Hinge	128 lbs
1800287	Sidewinder™ Actuator Base Tube Weldment	44 lbs
1800289	Sidewinder™ II Front Lid Weldment	93 lbs
1800292	Sidewinder™ Cylinder Base Pin	2.4 lbs
1800293	Sidewinder™ Wind Deflector	15 lbs
1800294	Sidewinder™ Wind Deflector Brace - 1-1/2"	1.2 lbs
1800295	Sidewinder™ Wind Deflector Brace - 1"	.8 lbs
1800297	Sidewinder™ II System - Left Hinge	1000 lbs
1800300	Rear Cross Bar Aluminum - 109" - Flash™/Quick-Flip™ III	10 lbs
1800302	Ring Terminal - 4 Ga. x 1/4" Stud	.1 lbs
1800306	Hydraulic Fitting - #4 JICM x 3/8" NPT - 90°	.1 lbs
1800314	Chain #40 - 14' Long	5 lbs
1800315	Hose Bundling Wrap - 1/2" - Sidewinder™/Double-Flip™	.5 lbs
1800318	Flash™ 38 System Underbody - 96" Housing	250 lbs
1800319	Underbody Spring Pivot Kit - 22 Coil - Right Side	27 lbs
1800320	Underbody Spring Pivot Kit - 22 Coil - Left Side	27 lbs
1800331	Roller Shaft - Sidewinder™/Sidewinder™ 350/Double-Flip™	3.4 lbs
1800333	Bullet™ Upper Arm - 30° Bend - Left Side	8 lbs
1800334	Bullet™ Upper Arm - 30° Bend - Right Side	10 lbs
1800335	Roller Shaft Assembly - Sidewinder™/Sidewinder™ 350/Double-Flip™	4 lbs
1800337	Spring - Crank Brake - 5000S	.9 lbs
1800364	2000SR Side Plate Mounting Angle	.2 lbs
1800369	Hy-Tower™ SL Steel Gantry	80 lbs
1800380	Hy-Tower™ SL Leg Assembly - Inner	15 lbs
1800381	Hy-Tower™ SL Leg Assembly - Center	14 lbs
1800382	Hy-Tower™ SL Leg Assembly - Outer	15 lbs
1800392	Hy-Tower™ SL Bumper Hold Down Bracket	.3 lbs
1800393	Hy-Tower™ SL Cable Mount Threaded	.3 lbs
1800394	Hy-Tower™ SL Gantry Pulley	.65 lbs
1800395	2000SR Housing Center Section	22 lbs
1800412	Sidewinder™ Hydraulic Pump Mounting Bracket	4 lbs
1800417	Circuit Breaker 12V 60 Amp Inline Auto Reset Marine Grade	.1 lbs
1800418	Motor Reversing Solenoid - 12V Trombetta	1 lbs
1800427	Flash™ System Underbody - Straight	230 lbs
1800429	Solenoid Cover - Trombetta	.2 lbs
1800437	Rubber Bumper - Bullet™	1.4 lbs
1800440	Rocker Switch Bracket	.1 lbs
1800458	Circuit Breaker 12V 150 Amp Manual Reset Marine Grade	.1 lbs
1800462	Spring - Extension Spring - 12" - 5000 Underbody	2.3 lbs
1800463	5000 Underbody Mounting Bracket	.5 lbs

NUMERICAL PARTS LISTING

PART NO.	DESCRIPTION	WEIGHT
1800477	Wind Deflector - 105-3/4" - Quick-Flip™/Flash™/Hy-Tower™	17 lbs
1800478	Hy-Tower™ DL Housing Channel w/End plates	46 lbs
1800479	Hy-Tower™ DL Housing Shell	63 lbs
1800480	Hy-Tower™ DL Housing Kit	198 lbs
1800481	Hy-Tower™ SL Housing Channel Bottom	73 lbs
1800482	Hy-Tower™ SL Housing Shell	39 lbs
1800483	Hy-Tower™ SL Housing Kit	196 lbs
1800491	Quick-Flip™ III Housing Channel w/End plates	66 lbs
1800495	Flash™ System Underbody - 30° Bend	230 lbs
1800497	Bushing - 1" ID X 1-1/4" OD X 1" Long - Rotating Arm	.1 lbs
1800502	2000SR System w/o Housing	64 lbs
1800504	Flash™ Pivot Arm - 30° Bend	21 lbs
1800505	Flash™ Housing Angle - 102"	12 lbs
1800516	Rotary Switch Bracket	.2 lbs
1800517	2000SR Housing Left Section	14 lbs
1800518	2000SR Housing Right Section	14 lbs
1800519	Flange Bearing - 3/4" Bore 3-Hole	.5 lbs
1800521	2000SR Spring Internal	5.7 lbs
1800522	Arm/Pull Tarp Vinyl - 84" x 10' - Black	12 lbs
1800523	Arm/Pull Tarp Vinyl - 84" x 12' - Black	14 lbs
1800524	Arm/Pull Tarp Vinyl - 84" x 14' - Black	16 lbs
1800525	Arm/Pull Tarp Vinyl - 84" x 16' - Black	18 lbs
1800526	Arm/Pull Tarp Vinyl - 84" x 18' - Black	18.8 lbs
1800527	Arm/Pull Tarp Vinyl - 84" x 20' - Black	22 lbs
1800528	Arm/Pull Tarp Vinyl - 84" x 22' - Black	24 lbs
1800529	Arm/Pull Tarp Vinyl - 84" x 24' - Black	26 lbs
1800530	Arm/Pull Tarp Vinyl - 84" x 26' - Black	28 lbs
1800531	Flash™ Pivot Arm - Straight	3.3 lbs
1800533	Bullet™ Pivot Mount Weldment	3 lbs
1800536	Circuit Breaker 12V 40 Amp Inline Auto Reset	.1 lbs
1800545	Quick-Flip™ III Pivot Arm - 40° Bend	17 lbs
1800547	Quick-Flip™ III Bent Arm Coupler	2.4 lbs
1800548	Quick-Flip™ III Upper Arm Multi-Axle - 50"	6.4 lbs
1800562	Arm/Pull Tarp Lumite - 84" x 12'	6 lbs
1800563	Arm/Pull Tarp Lumite - 84" x 14'	6 lbs
1800564	Arm/Pull Tarp Lumite - 84" x 16'	7 lbs
1800565	Arm/Pull Tarp Lumite - 84" x 18'	7 lbs
1800566	Arm/Pull Tarp Lumite - 84" x 20'	8 lbs
1800567	Arm/Pull Tarp Lumite - 84" x 22'	9 lbs
1800568	Arm/Pull Tarp Lumite - 84" x 24'	9 lbs
1800569	Arm/Pull Tarp Lumite - 84" x 26'	10 lbs
1800571	Flash™ Housing End Plate	4 lbs
1800575	Circuit Breaker 12V 40 Amp Panel Mount Auto Reset Marine Grade	.1 lbs
1800597	Cast Elbow for 1-Piece Aluminum Arm - 90°	2.3 lbs
1800602	Rocker Switch 12V	.1 lbs
1800603	Roll-Off Tarp - Mighty Mesh® - 9' 6" x 28' w/11" Flaps	43 lbs
1800604	Knitted Orange Poly Mesh - 9' 6" x 55' - SW/SW350	17.7 lbs
1800606	Hinge Pin Assembly - Sidewinder™/Double-Flip™	2.9 lbs
1800635	5000 Rear Cross Bar Black	10 lbs
1800639	Chain Guard HD Kit	20 lbs
1800647	5000 Underbody Pivot Arm Bracket	.9 lbs
1800650	Dual Conductor Wire - 8 Ga. per Foot	.2 lbs
1800652	Arm/Pull Tarp HD Black Mesh - 90" x 28'	20 lbs
1800683	Hy-Tower™ DL Chain Guard	9.6 lbs
1800698	Spring Ratchet - 2000SR/Hy-Tower™	.3 lbs
1800724	Bushing - 3/4" ID X 1" OD x 1-1/4" Long - Hy-Tower™ DL	.1 lbs
1800726	Hy-Tower™ DL Mounting Channel	33.7 lbs
1800737	Tarp Axle w/Stub Shaft Hammer™ II/Flash™/Bullet™	12 lbs
1800758	Shaft Sprocket Weldment - 5000G/Hammer™ II	2.3 lbs

NUMERICAL PARTS LISTING

PART NO.	DESCRIPTION	WEIGHT
1800762	Hy-Tower™ DL Hydraulic Pump 12V Kit	48 lbs
1800763	Spring - Flat Coil Torsion	1 lbs
1800769	Flash™ Clamshell Housing Outer	3.9 lbs
1800778	Sidewinder™ 350 System - Left Hinge	530 lbs
1800779	2000SR Pull Bar Roller	.2 lbs
1800781	Sidewinder™ 350 Angled Hinge Weldment	26.4 lbs
1800789	Sidewinder™ 350 Front Hinge Weldment	4 lbs
1800794	Sidewinder™ 350 Rear Hinge Weldment	5 lbs
1800796	Sidewinder™ 350 I-Beam - 91.88" Front	7.1 lbs
1800800	Sidewinder™ 350 I-Beam - 94.83"	7.4 lbs
1800804	Sidewinder™ 350 I-Beam - 15.38"	1.2 lbs
1800805	Sidewinder™ 350 Reinforcement Plate	1.6 lbs
1800806	Anderson Plug 50 Amp 6 Ga. - Grey	.5 lbs
1800816	Sidewinder™ 350 Angled T Plate	.3 lbs
1800817	Sidewinder™ 350 Square T-Plate	.3 lbs
1800818	Sidewinder™ 350 Roller Track	8 lbs
1800820	Hy-Tower™ Pull Bar Composite	2.1 lbs
1800821	Hy-Tower™ Pull Bar Foam	3 lbs
1800822	Sidewinder™ 350 Roller Track Support Tube	3.3 lbs
1800824	Sidewinder™ 350 Front Lid Assembly	54 lbs
1800825	Sidewinder™ 350 Lid Extension Weldment	11 lbs
1800831	Sidewinder™ 350 Rear Lid Assembly	47 lbs
1800837	Sidewinder™ 350 I-Beam - 91.88" Rear	7 lbs
1800838	Sidewinder™ 350 Latch Mount Weldment	1.5 lbs
1800850	Hydraulic Pump - 12V - Hy-Tower™ SL/Sidewinder™	35 lbs
1800853	Thrust Bearing - 1" Bronze - Sidewinder™/Double-Flip™	.1 lbs
1800857	Sidewinder™ 350 Cable - 3/16" - Galvanized 55'	8 lbs
1800860	Bushing Flanged - 1-1/4" Sidewinder™/Double-Flip™ Hinges	.15 lbs
1800861	Shaft Collar - 1-1/4" - 5000X/Flash™	.4 lbs
1800865	Sidewinder™ 350 Top Hold Down Plate	1.1 lbs
1800866	Sidewinder™ 350 Hook	1.1 lbs
1800867	Sidewinder™ 350 Latch Pipe	6 lbs
1800868	Sidewinder™ 350 Latch Handle	.5 lbs
1800869	Sidewinder™ 350 Hold Down Handle Gusset	.3 lbs
1800872	Cable Clamp - 3/16"	.1 lbs
1800879	Bushing - 1-1/2" ID X 1-3/4" OD X 1" Long - Rotating Arm	.1 lbs
1800880	Retaining Ring - 1-1/2"	.1 lbs
1800883	Sidewinder™ 350 Large Reinforcement Plate	1.7 lbs
1800884	Sidewinder™ II Rear Lid Weldment	33 lbs
1800885	Sidewinder™ II Center Lid Weldment	31 lbs
1800889	Ladder Weldment - Sidewinder™/Double-Flip™	25 lbs
1800891	H Connector Sidewinder™/Double-Flip™	4 lbs
1800893	Sidewinder™ 350 Large Angled T-Plate	.3 lbs
1800896	Sidewinder™ 350 Large T-Plate	.3 lbs
1800897	Sidewinder™ II Center Lid Extension	6 lbs
1800899	Sidewinder™ 350 I-Beam - 28.25"	2.2 lbs
1800905	Sidewinder™ 350 Rear Lid Seal Panel	18 lbs
1800906	Hose Clamp - 5-7"	.3 lbs
1800907	Hy-Tower™ SL Hydraulic Pump Bumper	.1 lbs
1800908	Sidewinder™ 350 Hinge Seal	15 lbs
1800912	Hydraulic Fitting - 4" MP x 4" MP - 90°	.1 lbs
1800917	Ratchet Pawl w/Lever - 2000SR/Hy-Tower™	.1 lbs
1800925	Hydraulic Fitting - #6 x 90° Male	.1 lbs
1800934	Flash™ Clamshell Housing Inner	3.9 lbs
1800936	2000SR No Housing Side Plate - Right Side	1.4 lbs
1800940	2000SR No Housing Side Plate - Left Side	2.5 lbs
1800945	Sidewinder™ Hydraulic Pump 12V Kit	42.8 lbs
1800960	Flash™ Underbody Drop Plate	4 lbs
1800963	Flash™ Underbody Spring Assembly - Left Side	22 lbs

NUMERICAL PARTS LISTING

PART NO.	DESCRIPTION	WEIGHT
1800965	Flash™ Underbody Spring Assembly - Right Side	22 lbs
1800967	Flash™ Underbody Spring Catch Weldment	.5 lbs
1800980	Tarp Axle Stub Shaft - 3/4" x 4" - Hammer™ II/Bullet™/Flash™	.5 lbs
1800987	Bullet™ System - Straight	150 lbs
1801001	Hand Tarp Knit Mesh - 12' x 24' - Black	15 lbs
1801002	Hand Tarp Knit Mesh - 12' x 26' - Black	16 lbs
1801005	Hy-Tower™ SL Cable Assembly	.5 lbs
1801009	Hy-Tower™ Rope Kit	8.6 lbs
1801010	Trailer Bullet™ System	245 lbs
1801012	Bumper 4" Rubber Triangle - Flash™/Quick Flip™ III	.3 lbs
1801015	Solenoid Cover - Quick-Flip™ III/Hy-Tower™ DL	.3 lbs
1801016	Hydraulic Fitting - 3/8" MP x 90°	.1 lbs
1801017	Hydraulic Fitting - 4" JICM x 4" NPTM	.1 lbs
1801018	Hydraulic Flow Control Valve - 1-3/4" - Hy-Tower™ SL/Hy-Tower™ DL/Quick-Flip™ III	.4 lbs
1801019	Hy-Tower™ SL System	555 lbs
1801020	Roll-Off Tarp - Knit Mesh - 96" x 28' w/15" Flap - Black - Hy-Tower™	18 lbs
1801022	Arm/Pull Tarp Vinyl - 114" x 18' w/12" Flap - Black	N/A
1801023	Arm/Pull Tarp Vinyl - 114" x 20' w/12" Flap - Black	N/A
1801026	Roll-Off Tarp - Knit Mesh - 100" x 28' - Black - Hy-Tower™	14 lbs
1801032	Roll Off Tarp - Multi-Colored Mesh - 93" x 28'	20 lbs
1801033	Hy-Tower™ SL Alarm Kit - 4"	4 lbs
1801049	Flash™ Underbody Spring Spacer Plate	4 lbs
1801055	Flash™ Alum Housing - 102"	41 lbs
1801062	Flash™ Alum Housing - 96"	39 lbs
1801063	Hy-Tower™ SL Cylinder Seal Kit	1 lbs
1801075	Flash™ Spring/Arm Kit - Straight	93 lbs
1801076	Flash™ Spring/Arm Kit - 30° Bend	94 lbs
1801082	Flange Bearing - 7/8" Hex Bore 2-Bolt	.5 lbs
1801125	Quick-Flip™ III Hydraulic Motor Mount Rubber	.5 lbs
1801158	Hy-Tower™ SL Base Kit	179 lbs
1801159	Hy-Tower™ SL Mounting Base	47 lbs
1801160	Cylinder Hydraulic - 1-1/4" x 40" - Hy-Tower™ SL	20 lbs
1801175	Hy-Tower™ SL Bumper - 3"	1 lbs
1801176	Bullet™ Pivot Arm Weldment	10 lbs
1801188	Bullet Upper Arm Straight - Left Side w/elbow	7 lbs
1801189	Bullet Upper Arm Straight - Right Side w/elbow	7 lbs
1801199	Hy-Tower™ Roller Bar Assembly	68 lbs
1801200	Hy-Tower™ Roller Bar Shaft - 21"	3 lbs
1801204	Tarp Axle Stub Shaft - 3/4" x 6" - Flash™ 38/Flash™ 41	1 lbs
1801205	Bullet™ Upper Arm / Cross Bar - Aluminum - Straight	6 lbs
1801209	Hy-Tower™ DL 3rd Stage Weldment	110 lbs
1801212	Hy-Tower™ DL 2nd Stage Weldment	90 lbs
1801215	Hy-Tower™ DL 1st Stage Weldment	80 lbs
1801216	Hy-Tower™ DL Sprocket Shaft - 5-1/8"	.8 lbs
1801218	Hy-Tower™ DL Chain Guide Assembly	.3 lbs
1801220	Hy-Tower™ DL Chain Mount Assembly	.4 lbs
1801221	Hy-Tower™ DL Hydraulic Pump Hose - 12'	5 lbs
1801222	Hy-Tower™ DL Hydraulic Pump Hose - 9'	4 lbs
1801223	Hydraulic Pump Spacer - Hy-Tower™ DL/Quick-Flip™ III	1 lbs
1801233	H Connectors - Qty 4	16 lbs
1801235	Sidewinder™ Hydraulic Pump Hose - 37-1/2"	3 lbs
1801236	Hydraulic Pump Rubber Bumper - Hy-Tower™ SL/Sidewinder™	4 lbs
1801237	Sidewinder™ Hydraulic Pump Wiring Harness - 9'	2 lbs
1801238	Sidewinder™ Hydraulic Pump Wiring Harness - 16'	6.1 lbs
1801243	Flange Bearing - 7/8" Hex Bore 2-Bolt	.5 lbs
1801251	Aluminum Arm Rest Bracket	1.5 lbs
1801265	Switch Mounting Plate - Hy-Tower™ SL/Quick-Flip™ III	1.1 lbs
1801276	Sidewinder™ 5/16" Cable w/Turnbuckle 30'	2.5 lbs
1801280	Arm/Pull Tarp HD Black Mesh - 84" x 12'	9 lbs

NUMERICAL PARTS LISTING

PART NO.	DESCRIPTION	WEIGHT
1801281	Arm/Pull Tarp HD Black Mesh - 84" x 14'	10 lbs
1801282	Arm/Pull Tarp HD Black Mesh - 84" x 16'	11 lbs
1801283	Arm/Pull Tarp HD Black Mesh - 84" x 18'	12 lbs
1801284	Arm/Pull Tarp HD Black Mesh - 84" x 20'	13 lbs
1801299	Flash™ Spring Shaft - 22" Hex	2.5 lbs
1801324	Quick-Flip™ III Rubber Bumper Mount Weldment	1.7 lbs
1801342	Solenoid Cover - Hy-Tower™/Sidewinder™	.4 lbs
1801343	Hydraulic Pump Solenoid - 12V 4-Post - Sidewinder™/Sidewinder™ 350/Hy-Tower™	.9 lbs
1801351	Pull Rope Assembly w/Snap Hook - 50'	5 lbs
1801356	Hy-Tower™ SL Single Magnet Sensor	.1 lbs
1801357	Hy-Tower™ SL Single Magnet Sensor w/Wire	.1 lbs
1801358	Hy-Tower™ In Cab Switch Kit	.3 lbs
1801359	Hy-Tower™ DL Hydraulic Pump Handle Ball	.3 lbs
1801360	Hy-Tower™ DL Hydraulic Pump Handle Rod	.3 lbs
1801363	Hy-Tower™ Hydraulic Motor Breather Cap	.1 lbs
1801365	Hy-Tower™ Hydraulic Pump Control Cord - Switch	5 lbs
1801366	Hy-Tower™ Hydraulic Pump Control Cord - Pump	.2 lbs
1801367	Hy-Tower™ Hydraulic Pump Coil - 12V	.3 lbs
1801375	Hand Tarp Vinyl - 12' x 24' - Black	42 lbs
1801376	Hand Tarp Vinyl - 12' x 26' - Black	45 lbs
1801377	Dual Conductor Plug & Socket Horizontal	1.5 lbs
1801387	Hy-Tower™ Rope Assembly - 3/8" x 50' Removable	3 lbs
1801388	Hy-Tower™ Rope Assembly - 5/16" x 8' Tarp Attachment	2.5 lbs
1801429	Arm/Pull Tarp HD Black Mesh - 84" x 24'	15 lbs
1801438	Flash™ 41 Spring 14-Coil - Right Side	17.9 lbs
1801442	Flash™ 41 Spring 14-Coil - Left Side	17.9 lbs
1801445	Hy-Tower™ SL Aluminum 3-Piece Leg Assembly	45 lbs
1801458	Hand Tarp Multi-Color Mesh - 12' x 18'	19 lbs
1801459	Arm/Pull Tarp HD Black Mesh - 84" x 22'	14 lbs
1801460	Arm/Pull Tarp HD Black Mesh - 84" x 26'	16 lbs
1801461	Hand Tarp Knit Mesh - 12' x 18' - Black	14 lbs
1801463	Hy-Tower™ Pull Bar Kit	1.5 lbs
1801475	Clevis Pin - 1/2" x 1-1/4"	.1 lbs
1801476	Cotter Pin - 1/8" x 1-1/4"	.1 lbs
1801495	Hose Clamp - 4-1/16-5"	.3 lbs
1801509	2000X/5000S Handle w/Bar	3.1 lbs
1801517	Clevis Pin - 1/2" x 1-3/4"	.1 lbs
1801519	Hy-Tower™ SL Shim - 1/2" x 7/8" x .075"	.1 lbs
1801528	Hand Tarp Multi-Color Mesh - 12' x 24'	24 lbs
1801529	Hand Tarp Multi-Color Mesh - 12' x 26'	27 lbs
1801534	Flash™ 41 System Underbody - 96" Housing	260 lbs
1801540	Dual Conductor Wire - 8 Ga. 20'	4 lbs
1801544	Ring Terminal - 1/4" 6 Ga.	.1 lbs
1801550	Flash™ 41 Underbody Spring Assembly - Left Side	17.9 lbs
1801551	Flash™ 41 Underbody Spring Assembly - Right Side	17.9 lbs
1801567	Contact Plate Kit	4.3 lbs
1801573	Contact Plate Mounting Angle - Aluminum	.2 lbs
1801577	Arm/Pull Tarp HD Black Mesh - 84" x 30'	19 lbs
1801578	Arm/Pull Tarp HD Black Mesh - 84" x 28'	18 lbs
1801580	Arm/Pull Tarp Lumite - 90" x 24'	9 lbs
1801581	Arm/Pull Tarp Lumite - 90" x 26'	10 lbs
1801583	Contact Plate UHMW Pad	1.5 lbs
1801585	Motor Cover Chrome (1802061)	.7 lbs
1801595	Bullet™ Spring/Arm Kit Straight	73 lbs
1801599	Hinge Assembly - Sidewinder™ Front & Rear /Double-Flip™ Front	30 lbs
1801600	Hinge Weldment Rear - Sidewinder™/Double-Flip™	15.3 lbs
1801601	Hinge Assembly - Sidewinder™ Center/Double-Flip™ Center & Rear	9.1 lbs
1801602	Hinge Weldment - Sidewinder™ Center/Double-Flip™ Center & Rear	9.3 lbs
1801603	Hinge Lid - Sidewinder™/Double-Flip™	4.5 lbs

NUMERICAL PARTS LISTING

PART NO.	DESCRIPTION	WEIGHT
1801606	Arm/Pull Tarp Vinyl - 114" x 16' w/12" Flap - Black	N/A
1801607	Arm/Pull Tarp Vinyl - 108" x 16' w/12" Flap - Black	N/A
1801608	Arm/Pull Tarp Vinyl - 108" x 18' w/12" Flap - Black	N/A
1801609	Arm/Pull Tarp Vinyl - 108" x 20' w/12" Flap - Black	N/A
1801610	Arm/Pull Tarp Vinyl - 108" x 22' w/12" Flap - Black	N/A
1801611	Arm/Pull Tarp Vinyl - 114" x 22' w/12" Flap - Black	N/A
1801619	Quick-Flip™ III Outer Stage Weldment Telescoping	95 lbs
1801621	Quick-Flip™ III Inner Stage Weldment Telescoping	59.5 lbs
1801622	Quick-Flip™ III Base Assembly Telescoping	180 lbs
1801623	Hydraulic Pump Mounting Bracket - Hy-Tower™ DL/Quick-Flip™ III	4 lbs
1801626	Quick-Flip™ III Hydraulic Pump Kit	47 lbs
1801627	Quick-Flip™ III Hydraulic Pump Hose - 7'	8 lbs
1801636	Spring Pivot Connector 1-Piece Arm	5 lbs
1801640	Roll-Off Tarp - Mighty Mesh® - 9' 8" x 28' w/12" Flaps	44 lbs
1801684	Roll-Off Tarp - Mighty Mesh® - 97" x 28' w/12"	42 lbs
1801686	Roll-Off Tarp - Mighty Mesh® - 96" x 28'	38 lbs
1801690	Roll-Off Tarp - Mighty Mesh® - 96" x 28' w/6" Flaps	41 lbs
1801706	Double-Flip™ Hydraulic 2-Spool Valve	6.7 lbs
1801707	Retaining Ring - 1" x .040"	.1 lbs
1801718	Toggle Switch - 12V Marine Grade - Hy-Tower™ SL/Sidewinder™/Sidewinder™ 350	.5 lbs
1801726	Quick-Flip™ III Toggle Switch - 12V Marine Grade	1.1 lbs
1801731	Arm/Pull Tarp Multi-Color Mesh - 84" x 12'	8 lbs
1801732	Arm/Pull Tarp Multi-Color Mesh - 84" x 14'	9 lbs
1801733	Arm/Pull Tarp Multi-Color Mesh - 84" x 16'	12 lbs
1801734	Arm/Pull Tarp Multi-Color Mesh - 84" x 18'	12 lbs
1801735	Arm/Pull Tarp Multi-Color Mesh - 84" x 20'	12 lbs
1801736	Arm/Pull Tarp Multi-Color Mesh - 84" x 22'	13 lbs
1801737	Arm/Pull Tarp Multi-Color Mesh - 84" x 24'	16 lbs
1801738	Arm/Pull Tarp Multi-Color Mesh - 84" x 26'	16 lbs
1801739	Arm/Pull Tarp Multi-Color Mesh - 84" x 28'	17 lbs
1801740	Arm/Pull Tarp Multi-Color Mesh - 84" x 30'	18 lbs
1801741	Arm/Pull Tarp Multi-Color Mesh - 90" x 10'	7 lbs
1801742	Arm/Pull Tarp Multi-Color Mesh - 90" x 12'	8 lbs
1801743	Arm/Pull Tarp Multi-Color Mesh - 90" x 14'	9 lbs
1801744	Arm/Pull Tarp Multi-Color Mesh - 90" x 16'	10 lbs
1801745	Arm/Pull Tarp Multi-Color Mesh - 90" x 18'	11 lbs
1801746	Arm/Pull Tarp Multi-Color Mesh - 90" x 20'	14 lbs
1801747	Arm/Pull Tarp Multi-Color Mesh - 90" x 22'	15 lbs
1801748	Arm/Pull Tarp Multi-Color Mesh - 90" x 24'	16 lbs
1801749	Arm/Pull Tarp Multi-Color Mesh - 90" x 26'	16 lbs
1801750	Arm/Pull Tarp Multi-Color Mesh - 90" x 28'	17 lbs
1801751	Arm/Pull Tarp Multi-Color Mesh - 90" x 30'	18 lbs
1801752	Arm/Pull Tarp Multi-Color Mesh - 90" x 32'	19 lbs
1801753	Arm/Pull Tarp Multi-Color Mesh - 90" x 34'	20 lbs
1801754	Arm/Pull Tarp Multi-Color Mesh - 90" x 36'	22 lbs
1801755	Arm/Pull Tarp Multi-Color Mesh - 90" x 38'	23 lbs
1801756	Arm/Pull Tarp Multi-Color Mesh - 90" x 40'	24 lbs
1801757	5000X Pivot Arm	13 lbs
1801758	5000X Rear Cross Bar Galvanized	11 lbs
1801907	Sidewinder™ Backhoe Actuator Assembly - Right Hinge	140 lbs
1801908	Sidewinder™ II System - Right Hinge	975 lbs
1801910	Sidewinder™ II System - Right Hinge - Wet Kit	835 lbs
1801914	Sidewinder™ II System - Left Hinge - Wet Kit	818 lbs
1801919	Wind Deflector Kit - Flash/Bullet	12 lbs
1801927	Flash™ System - Straight	225 lbs
1801943	5000 Steel Wind Deflector Kit	24 lbs
1801945	Flash™ System - 30° Bend	225 lbs
1801950	Flange Bearing Reversed Flash™/Quick-Flip™ III	.5 lbs
1801966	Hy-Tower™ Side Plate Mounting Angle	4.2 lbs

NUMERICAL PARTS LISTING

PART NO.	DESCRIPTION	WEIGHT
1801969	Sidewinder™ 350 System - Right Hinge	397 lbs
1801972	Bullet™ Aluminum Cast Elbow - 90°	1.4 lbs
1801974	Bullet™ System - 30° Bend	150 lbs
1801985	Roll Off Tarp - Mighty Mesh® - 100" x 28'	37 lbs
1801996	Hy-Tower™ SL Base Kit	170 lbs
1801999	Pivot Arm Rest Kit - Aluminum - Bullet™/Flash™	3.7 lbs
1802000	Side Plate w/o Bearing - Universal Zinc Plated	4.4 lbs
1802007	Side Plate w/Bearing - Zinc Plated	5 lbs
1802008	Steel Arm Rest Kit Heavy Duty	4.4 lbs
1802061	Durabuilt™ Motor 600W Direct Drive 12V - 3-Year Warranty	14 lbs
1802066	Durabuilt™ Motor 600W Direct Drive 12V - 1-year Warranty	12 lbs
1802076	Rotary Switch Kit	.7 lbs
1802081	Steel Arm Rest Kit	2.5 lbs
1802100	Arm/Pull Tarp HD Black Mesh - 90" x 36'	40 lbs
1802132	Arm/Pull Tarp HD Black Mesh - 84" x 34'	25.4 lbs
1802139	Arm/Pull Tarp Mighty Mesh® - 84" x 20'	50 lbs
1802163	Arm/Pull Tarp HD Black Mesh - 90" x 34'	20 lbs
1802179	Arm/Pull Tarp Mighty Mesh® - 90" x 16'	21 lbs
1802185	Arm/Pull Tarp Mighty Mesh® - 84" x 12'	15 lbs
1802208	Arm/Pull Tarp Mighty Mesh® - 90" x 24'	30 lbs
1802209	Arm/Pull Tarp Mighty Mesh® - 84" x 18'	22 lbs
1802214	Arm/Pull Tarp Mighty Mesh® - 84" x 22'	26 lbs
1802215	Arm/Pull Tarp Mighty Mesh® - 84" x 24'	28 lbs
1802220	Arm/Pull Tarp Mighty Mesh® - 84" x 16'	20 lbs
1802238	Arm/Pull Tarp Mighty Mesh® - 90" x 26'	32 lbs
1802262	Arm/Pull Tarp Mighty Mesh® - 84" x 14'	18 lbs
1802286	Arm/Pull Tarp HD Black Mesh - 84" x 36'	24 lbs
1802287	Arm/Pull Tarp Mighty Mesh® - 90" x 14'	19 lbs
1802318	Arm/Pull Tarp Mighty Mesh® - 90" x 12'	17 lbs
1802365	Arm/Pull Tarp HD Black Mesh - 84" x 40'	30 lbs
1802369	Arm/Pull Tarp HD Black Mesh - 84" x 42'	25 lbs
1802431	Arm/Pull Tarp Mighty Mesh® - 84" x 28'	33 lbs
1802830	Arm/Pull Tarp Mighty Mesh® - 84" x 26'	30 lbs
1802853	Arm/Pull Tarp HD Black Mesh - 90" x 44'	28 lbs
1802936	Arm/Pull Tarp HD Black Mesh - 84" x 38'	27.7 lbs
1803029	Arm/Pull Tarp HD Black Mesh - 84" x 44'	26 lbs
1803546	Arm/Pull Tarp HD Black Mesh - 90" x 42'	24 lbs
1803761	Arm/Pull Tarp Mighty Mesh® - 90" x 22'	28 lbs
1803769	Arm/Pull Tarp Mighty Mesh® - 90" x 18'	23 lbs
1803789	Arm/Pull Tarp Mighty Mesh® - 90" x 28'	35 lbs
1803792	Arm/Pull Tarp Mighty Mesh® - 90" x 20'	26 lbs
1803805	SWAT® Roller Bar Assembly	82 lbs
1803895	5000XEL System - Electric	165 lbs
1803900	Hy-Tower™ DL System	800 lbs
1803902	5000XGL System - Ground Level	145 lbs
1803906	5000XCL System - Cab Level	140 lbs
1803942	Flash™ 38 System Underbody - 102" Housing	250 lbs
1805259	Bullet™ Spring/Arm Kit - 30° Bend	77 lbs
1808506	Flash™ Tension Arm Kit - 10' Arms Straight	61 lbs
1808507	Flash™ Tension Arm Kit - 10' Arms 30° Bend	67 lbs
1808617	Arm/Pull Tarp HD Black Mesh - 90" x 38'	22 lbs
1808618	Arm/Pull Tarp HD Black Mesh - 90" x 40'	23 lbs
1808634	Quick-Flip™ III Single Axle/Trailer Spring Assembly Right	22.8 lbs
1808635	Quick-Flip™ III Single Axle/Trailer Spring Assembly Left	22.8 lbs
1808636	Quick-Flip™ III Spring Shaft - Single Axle/Trailer - 7/8" Hex 23-1/4"	4.4 lbs
1808637	Quick-Flip™ III Spring Catch Weldment - 22-Coil	.7 lbs
1808638	Quick-Flip™ III Spring Pivot Bearing Spacer	.1 lbs
1808639	Quick-Flip™ III Spring Pivot Bearing Plate - Inner	1.5 lbs
1808640	Quick-Flip™ III Spring Pivot Bearing Plate - Outer	2.6 lbs

NUMERICAL PARTS LISTING

PART NO.	DESCRIPTION	WEIGHT
1808641	Quick-Flip™ III Spring Pivot Tube Weldment - Single Axle/Trailer	29.8 lbs
1808645	Quick-Flip™ III Frame Mount Plate - 4-1/2"	3.2 lbs
1808646	Quick-Flip™ III Spring Pivot Tube Gusset	4 lbs
1808652	Quick-Flip™ III Fixed Base Gantry Assembly	106 lbs
1808653	Quick-Flip™ III Outer Stage Weldment Fixed	93 lbs
1808655	Quick-Flip™ III Inner Stage Weldment Fixed	14 lbs
1808659	Quick-Flip™ III Arm Rest Kit	3.5 lbs
1808660	Quick-Flip™ III System Single Axle Fixed Gantry	525 lbs
1808662	Quick-Flip™ III Housing Assembly	112 lbs
1808663	Quick-Flip™ III Spring Pivot Mount Weldment - Multi-Axle	5.2 lbs
1808664	Quick-Flip™ III Multi-Axle Spring Assembly - Right	28 lbs
1808665	Quick-Flip™ III Multi-Axle Spring Assembly - Left	28 lbs
1808669	Quick-Flip™ III Multi-Axle Spring Housing Base	5 lbs
1808670	Quick Flip™ III System Multi-Axle	780 lbs
1808671	Quick-Flip™ III Spring Shaft - Long -Multi-Axle - 7/8" Hex 14-1/4"	3.1 lbs
1808672	Quick-Flip™ III Spring Pivot Support Tube - Multi-Axle	16.8 lbs
1808673	Quick-Flip™ III Frame Mount Plate - 3"	2.3 lbs
1808678	Quick-Flip™ III Spring Pivot Support End Cap	.2 lbs
1808679	Quick-Flip™ III Spring Pivot Mount Tube - Multi-Axle	24.8 lbs
1808680	Quick-Flip™ III System Roll-Off Trailer	665 lbs
1808683	Quick-Flip™ III Multi-Axle Spring Housing Cover	2.5 lbs
1808734	Roll-Off Tarp - Mighty Mesh® - 96" x 34'	64 lbs
1808735	Roll-Off Tarp - Multi-Color Mesh - 96" x 38'	53 lbs
1808736	Roll-Off Tarp - Multi-Color Mesh - 96" x 42'	59 lbs
1808746	Roll-Off Tarp - Knit Mesh - 87" x 28' - Black - Hy-Tower™	16 lbs
1808751	Quick-Flip™ III Spring/Arm Kit - Multi Axle	90 lbs
1808752	Quick-Flip™ III Spring Pivot Support Kit - Multi-Axle	202 lbs
1808764	5000X Spring/Arm Kit - 30° Bend	101 lbs
1808766	Retaining Ring - 1" x .078"	.2 lbs
1808793	Quick-Flip™ III Spring Pivot Support Elbow - Multi-Axle	10.9 lbs
1808846	SWAT® Gear Pivot End Plug	.1 lbs
1808851	SWAT® Pawl Torsion Spring	.1 lbs
1808855	SWAT® Shaft Locking Collar - 1"	.3 lbs
1808865	SWAT® Fixed Tarp Tube	14.6 lbs
1808866	SWAT® Tarp Tube Bracket	1.9 lbs
1808868	SWAT® Gantry Base Weldment	133 lbs
1808871	SWAT® Gantry Telescoping Tube Weldment	31.5 lbs
1808872	SWAT® Tarp Roll Base Rest	91.8 lbs
1808873	SWAT® Stabilizer Bar	22.2 lbs
1808874	SWAT® Upper Arm	45 lbs
1808875	SWAT® Ratchet Pawl Bushing	.1 lbs
1808879	SWAT® Lower Arm Weldment	46 lbs
1808880	SWAT® Chassis Mount Tube Weldment	27.3 lbs
1808881	SWAT® Cylinder Loop Strap	.5 lbs
1808883	SWAT® Rack Cylinder Mounting Pin	.9 lbs
1808886	SWAT® Rack Weldment	15.9 lbs
1808887	SWAT® Pivot Arm Weldment	52 lbs
1808890	SWAT® Cylinder 2-1/2" x 1-1/4" x 16" Rack/Pivot	22.5 lbs
1808891	SWAT® Cylinder 2" x 1-1/4" x 36" Gantry	34 lbs
1808892	SWAT® Cylinder 1-1/2" x 1" x 36" Arm	24.7 lbs
1808911	Flash™ 41 System Underbody - 102" Housing	270 lbs
1808912	Quick-Flip™ III Multi-Axle Conversion Kit	500 lbs
1808929	SWAT® Hydraulic 3-Spool Valve	12.8 lbs
1808930	SWAT® Priority Flow Control Valve - 3 GPM	5.7 lbs
1808943	Hy-Tower™ DL Single Magnet Sensor	.1 lbs
1808944	Hy-Tower™ DL Single Magnet Sensor w/Wire	.1 lbs
1808948	Hy-Tower™ DL Alarm Kit - 1-5/8"	15 lbs
1809005	Quick-Flip™ III System Single Axle Telescoping Gantry	670 lbs
1809009	SWAT® Ratchet Guard Assembly	1.5 lbs

NUMERICAL PARTS LISTING

PART NO.	DESCRIPTION	WEIGHT
1809012	SWAT® Gantry Cylinder Clevis Eye	2.5 lbs
1809013	SWAT® Clevis Pin 1" x 2.2" Long	.7 lbs
1809014	SWAT® Rack/Cylinder Connecting Pin	.8 lbs
1809037	Black Mesh Tarp - 76" x 14'	N/A
1809038	Black Mesh Tarp - 76" x 16'	N/A
1809039	Black Mesh Tarp - 76" x 18'	N/A
1809040	Black Mesh Tarp - 76" x 20'	N/A
1809041	Black Mesh Tarp - 76" x 22'	N/A
1809042	Black Mesh Tarp - 76" x 24'	N/A
1809047	Durabuilt™ Switch Kit 12V 8 Ga.	3.7 lbs
1809049	Durabuilt Solenoid Switch - 60A12V	N/A
1809051	Quick-Flip™ III Durabuilt Switch Kit - 12V 60 Amp	4 lbs
1809148	SWAT® Tarp Tube Cap Weldment	.6 lbs
1809153	SWAT® Upper Arm Assembly Driver	N/A
1809154	SWAT® Upper Arm Assembly Passenger	N/A
1809168	SWAT® Pivot Pin	3 lbs
1809169	SWAT® Castle Nut - 1-1/2"-12 x .350 Long	.2 lbs
1809170	SWAT® Pivot Brush Weldment - Driver	N/A
1809171	SWAT® Pivot Brush Weldment - Passenger	N/A
1809177	SWAT® Crank Handle Assembly	1.6 lbs
1809206	SWAT® Gantry Mounting Plate	52 lbs
1809207	SWAT® Gantry Mounting Gusset	1.9 lbs
1809208	SWAT® Chassis Mount Angle	15.4 lbs
1809209	SWAT® Ratchet Pawl	.1 lbs
1809232	SWAT® Wet Kit Hydraulic Hardware	28.2 lbs
1809284	SWAT® Pivot Pin Replacement Kit	N/A
1809294	Drop Plate - Angled Est	N/A
1809296	SWAT® Pivot Brush Replacement Kit	N/A
1809330	Tarp Spool Axle - Aluminum - 3-Way Attachment - 98"	N/A
1809355	SWAT® Gear Pivot Assembly Sloped Left	181 lbs
1809360	SWAT® Gear Pivot Assembly Sloped Right	181 lbs
1809366	SWAT® Pivot Brush Weldment - Sloped - Left	N/A
1809367	SWAT® Pivot Brush Weldment - Sloped - Right	N/A
1809396	Arm Tarp Lumite - 84" x 18' w/12" Flap	N/A
1809398	SWAT® Hydraulic Hardware - 12V - Shur-Co® Remote	N/A
1809400	SWAT® System Kit - 12V - Shur-Co® Remote	N/A
1809407	Hammer™ II Lower Arm	10 lbs
1809408	Hammer™ II Upper Arm - Straight	10 lbs
1809409	Hammer™ II Rear Cross Bar	10 lbs
1809414	UT™ Tarp System	17 lbs
1809524	Seal Kit Cylinder - 1808892	N/A
1809553	Hammer™ II Upper Arm - 30° Bend Left	10 lbs
1809554	Hammer™ II Upper Arm - 30° Bend Right	10 lbs
1809555	Hammer™ II System - Straight	200 lbs
1809556	Hammer™ II System - 30° Bend	153 lbs
1809557	Hammer™ II Spring Arm/Kit - Straight	91 lbs
1809558	Hammer™ II Spring/Arm Kit - 30° Bend	91 lbs
1809559	Hammer™ II - Hardware Bag	N/A
1809563	Side Plate w/o Bearing - Powder Coat Black	4.4 lbs
1809564	Side Plate w/Bearing - Powder Coat Black	5 lbs
1809570	Hammer™ II System - Hardware Box	N/A
1809571	Wind Deflector Kit - Hammer™ II	N/A
1809574	Hammer™ II GL System - Straight	148 lbs
1809575	Hammer™ II GL - Hardware Bag	N/A
1809576	Hammer™ II GL - Hardware Box	N/A
1809578	Hammer™ II GL System - 30° Bend	152 lbs
1809582	Pivot Spring Weldment Adjustment - 4-Spring - 3.442	N/A
1809583	Pivot Spring Weldment Adjustment - 5-Spring - 4.068	N/A
1809609	Hammer™ II Spring Pivot Weldment - 5-Spring	7 lbs

NUMERICAL PARTS LISTING

PART NO.	DESCRIPTION	WEIGHT
1809614	SWAT® Roller Bar Assembly w/8' x 28' Tarp	N/A
1809615	SWAT® Roller Bar Assembly w/9' 8" x 28' Tarp	N/A
1809616	SWAT® System Base w/8' x 28' Mighty Mesh® Tarp	1675 lbs
1809617	SWAT® System Base w/9'8"x 28' Mighty Mesh® Tarp	1675 lbs
1809618	SWAT® System Wet Kit w/8' x 28' Mighty Mesh® Tarp	1600 lbs
1809619	SWAT® System Wet Kit w/9'8" x 28' Mighty Mesh® Tarp	1675 lbs
1809621	SWAT® System Remote w/8' x 28' Mighty Mesh® Tarp	1740 lbs
1809622	SWAT® System Remote w/9'8"x 28' Mighty Mesh® Tarp	1740 lbs
1809669	SWAT® Hose Guide Assembly	.2 lbs
1809674	Roll Off Tarp - Mighty Mesh® - 96" x 28' Hooklift	N/A
1809675	Roll Off Tarp - Mighty Mesh® - 9' 8" x 28' Hooklift	N/A
1809676	SWAT® Roller Bar Assembly w/8' x 28' Tarp Hooklift	N/A
1809677	SWAT® Roller Bar Assembly w/9'8" x 28' Tarp Hooklift	N/A
1809708	Flash™ Clamshell Pivot Kit	16 lbs
1809712	Sidewinder™ Tarp - 10' x 55' - Black Grid	28 lbs
1809729	Hammer™ II Lower Pivot Arm Replacement Kit	16 lbs
1809762	SWAT® Remote Transmitter	.2 lbs
1809763	Black Mesh Tarp - 95-1/2" x 24'	N/A
1809764	Black Mesh Tarp - 59-1/2" x 16'	N/A
1809765	Black Mesh Tarp - 76-1/2" x 18'	N/A
1809766	Black Mesh Tarp - 81-1/2" x 20'	N/A
1809773	SWAT® System Kit - Wet Kit w/9'8" x 28' Tarp - HL - HP	N/A
1809776	SWAT® Gear Pivot Brush Kit	2.8 lbs
1809784	UT™ Bearing Plate Mounting Kit	N/A
1809806	Hammer™ II Pivot Arm Kit w/Lower Arm	20 lbs
1809810	Black Mesh Tarp - 54" x 10'	N/A
1809811	Black Mesh Tarp - 60" x 12'	N/A
1809812	Black Mesh Tarp - 60" x 14'	N/A
1809813	Black Mesh Tarp - 64" x 10'	N/A
1809814	Black Mesh Tarp - 64" x 12'	N/A
1809815	Black Mesh Tarp - 66" x 14'	N/A
1809816	Black Mesh Tarp - 72" x 14'	N/A
1809817	Black Mesh Tarp - 78" x 15'	N/A
1809818	Black Mesh Tarp - 78" x 18'	N/A
1809819	Black Mesh Tarp - 80" x 14'	N/A
1809820	Black Mesh Tarp - 80" x 16'	N/A
1809821	Black Mesh Tarp - 96" x 18'	N/A
1809822	Black Mesh Tarp - 96" x 22'	N/A
1809823	Pivot Base Adjustment Add On Kit (2)	N/A
1809824	Pivot Spring Assy W/Base Adjustment - 4-Spring	N/A
1809825	Pivot Spring Assy W/Base Adjustment - 5-Spring	N/A
1809829	UT™ 3-Piece Pull Bar Kit	10 lbs
1809846	UT™ 1-Piece Pull Bar Kit	12 lbs
1809905	UT™ Tarp System w/Side Plates	20 lbs
1809908	UT™ Tarp System w/1-Piece Pullbar	N/A
1809911	SWAT® Complete Arm Kit Left	120 lbs
1809912	SWAT® Complete Arm Kit Right	120 lbs
1809927	Durabuilt™ Switch Kit 12V - 6/8 Ga.	3.8 lbs
1809934	UT™ Tarp System w/3-Piece Pullbar	27 lbs
1809935	UT™ Tarp System w/3-Piece Pullbar & Side Plates	30 lbs
1809942	Roll-Off Tarp - Mighty Mesh® - 96" x 28' - Black	N/A
1809943	Arm/Pull Tarp Multi Color - 96" x 28'	N/A
1809944	Arm/Pull Tarp HD Black Mesh - 93" x 28'	N/A
1809945	Arm/Pull Tarp Multi Color Mesh - 96" x 28' w/3 12" Flaps	N/A
1809947	Durabuilt Solenoid Switch - 40A12V - 15Ft	N/A
1810238	Arm/Pull Tarp Donoprene - 84" x 10'	N/A
1810239	Arm/Pull Tarp Donoprene - 84" x 12'	N/A
1810240	Arm/Pull Tarp Donoprene - 84" x 14'	N/A
1810241	Arm/Pull Tarp Donoprene - 84" x 16'	N/A

NUMERICAL PARTS LISTING

PART NO.	DESCRIPTION	WEIGHT
1810242	Arm/Pull Tarp Donoprene - 84" x 18'	N/A
1810243	Arm/Pull Tarp Donoprene - 84" x 20'	N/A
1810244	Arm/Pull Tarp Donoprene - 84" x 22'	N/A
1810245	Arm/Pull Tarp Donoprene - 84" x 24'	N/A
1810246	Arm/Pull Tarp Donoprene - 84" x 26'	N/A
1810247	Arm/Pull Tarp Donoprene - 90" x 10'	N/A
1810248	Arm/Pull Tarp Donoprene - 90" x 12'	N/A
1810249	Arm/Pull Tarp Donoprene - 90" x 14'	N/A
1810250	Arm/Pull Tarp Donoprene - 90" x 16'	N/A
1810251	Arm/Pull Tarp Donoprene - 90" x 18'	N/A
1810252	Arm/Pull Tarp Donoprene - 90" x 20'	N/A
1810253	Arm/Pull Tarp Donoprene - 90" x 22'	N/A
1810254	Arm/Pull Tarp Donoprene - 90" x 24'	N/A
1810255	Arm/Pull Tarp Donoprene - 90" x 26'	N/A
1810277	5000XEL System w/Rocker	165 lbs
1810278	Hammer™ II System - Straight w/Rocker	N/A
1810279	Hammer™ II System - 30° Bend w/Rocker	N/A
1810280	Bullet™ System - Straight w/Rocker	N/A
1810281	Bullet™ System - 30° Bend w/Rocker	N/A
1810282	Flash™ System - Straight w/Rocker	N/A
1810283	Flash™ System - 30° Bend w/Rocker	N/A
1810284	Flash™ System Underbody - Straight w/Rocker	N/A
1810285	Flash™ System Underbody - 30° Bend w/Rocker	N/A
1810286	Flash™ 38 System Underbody - 96" Housing w/Rocker	N/A
1810287	Flash™ 38 System Underbody - 102" Housing w/Rocker	N/A
1810288	Flash™ 41 System Underbody - 96" Housing	N/A
1810289	Flash™ 41 System Underbody - 102" Housing	N/A
1810290	Trailer Bullet™ System w/Rocker	N/A
1810291	Arm/Pull Tarp Donoprene - 108" x 16' w/12" Flap	N/A
1810292	Arm/Pull Tarp Donoprene - 108" x 18' w/12" Flap	N/A
1810293	Arm/Pull Tarp Donoprene - 108" x 20' w/12" Flap	N/A
1810294	Arm/Pull Tarp Donoprene - 108" x 22' w/12" Flap	N/A
1810295	Arm/Pull Tarp Donoprene - 114" x 16' w/12" Flap	N/A
1810296	Arm/Pull Tarp Donoprene - 114" x 18' w/12" Flap	N/A
1810297	Arm/Pull Tarp Donoprene - 114" x 20' w/12" Flap	N/A
1810298	Arm/Pull Tarp Donoprene - 114" x 22' w/12" Flap	N/A

NOTES

NOTES

NOTES

TERMS AND CONDITIONS

ORDERS

All orders are subject to written acceptance by Shur-Co®, LLC, P.O. Box 713, 2309 Shur-Lok Street, Yankton, South Dakota 57078-0713. We are required by law to collect sales tax and F.E.T. taxes on products shipped to states where applicable. If tax exempt, a copy of your tax exempt certificate must accompany your order.

EXPEDITE FEE/ADDED CHARGES

In-stock parts orders placed by 10:00 a.m. (Central Time) normally ship the same day. (This varies with quantity/size of the order.) Standard lead time on tarps and hardware kits is generally five to seven working days; however, if you request that your order of tarps, hardware kits and/or complete tarp systems be expedited earlier than the normal lead time, there will be an additional charge of \$25. This fee is in addition to shipping and handling charges.

NOTE: We have no control over delivery dates – only ship dates.

SHIPPING

All orders are shipped F.O.B. from Shur-Co®, LLC, Yankton, SD; Rootstown, OH; Vermillion, SD; Decatur, IL; West Fargo, ND; Caldwell, ID or Stuart, FL. There will be no free freight allowed or prepaid shipment accepted unless quoted and approved in writing prior to acceptance of the order. All shipments are made by most reasonable means in accordance with size and weight of order, unless specific routing instructions are furnished by the customer. Shipments are made daily via U.P.S. and common carrier. Claims for shortages must be made within 10 days. All claims for damages or loss in transit must be made with the carrier. No collect calls will be accepted. To ensure delivery of orders, we need your full street address and phone number. When you receive your shipment, examine it carefully. Be sure that all cartons listed on the delivery sheet are accounted for. Large items, such as steel tubing, may be packaged separately. If a carton is damaged, open it and inspect the contents before signing for delivery. If merchandise is damaged, describe the damage on the delivery receipt. Failure on your part to document damaged or missing merchandise on the delivery receipt releases the carrier of liability; repair or replacement will be the customer's responsibility.

CREDIT TERMS

Shipments are made on a cash basis – no C.O.D.s. We accept American Express, Discover, VISA, MasterCard and checks by phone or mail. Prices are subject to change without notice.

RETURN POLICY

All sales are final. See WARRANTY section at right for information on warranty returns.

NOTE: No person is authorized to modify foregoing conditions of sale whatsoever. All prices, product listings, sizes, weights and manufacturing details in this catalog are subject to change without notice. Any non-standard component requiring special engineering or manufacturing may be subject to an additional charge. Call for details.

WARRANTY

We warrant that all new products are free from defects in materials and workmanship.* This warranty is effective if products are properly installed and used for the purpose for which they were intended and applies to the original buyer only. Except as set forth above or as set forth in any product-specific warranty documentation, we make no other warranties, express or implied, including, but not limited to, warranties of merchantability or fitness for a particular use.

Returns of a product for warranty must be accompanied by a Return Merchandise Authorization number (RMA#), which can be obtained by calling Customer Service at 866-748-7435, and sent, with freight paid by us. All products returned without an RMA# will be refused. When we issue the RMA#, we will also issue a call tag to have UPS (or other freight company) pick up the product. C.O.D. warranty returns will not be accepted. We will pay no storage charges for a warranty product return prior to pickup by us or the freight company. If a warranty product return is scheduled to be picked up by us, we will do so at our earliest convenience.

If the product returned is found, in our judgment, to be defective in material or workmanship, our obligation under this warranty is limited to the repair or replacement of the product, which will be made by us. Repair or replacement will be at our discretion, with replacements being made using current products performing in the equivalent function. Labor charges, other than those incurred at our factory, including, but not limited to, any labor to install a repaired or replacement product, are not covered under this warranty. All expenses associated with delivering defective products to our factory and delivering repaired or replacement products from our factory to the owner will be paid by us.

If the product returned is found, in our judgment, to be non-warrantable, the owner will be contacted to authorize repair work, the purchase of a replacement product or return of the product, all of which will be at the owner's expense. Payment authorization must be received by us before any non-warrantable product is repaired, replaced or returned. All expenses associated with delivering the repaired non-warrantable product, a replacement product or the non-warrantable product from our factory to the owner will be paid by the owner.

In no event will we be liable for damages of any kind or nature to person, product or property, including, but not limited to, indirect, incidental, special, consequential or punitive damages of any kind, or damages for loss of profits or revenue, even if we have been advised of the possibility of such damages. There are no warranties for used products or products that have been repaired, altered, modified or subjected to misuse, negligence or accident. We will not repair or replace products that fail or malfunction due to ordinary wear and tear, except as expressly provided in a product-specific warranty. The use of non-Shur-Co®, LLC parts in conjunction with Shur-Co®, LLC products will void this product warranty.

*Certain products have specific warranties that differ from this warranty, for example motors and electronics. Product-specific warranty documentation is available for these items. In the event of a conflict between this warranty and a product-specific warranty, the product-specific warranty will govern.



World Headquarters
SHUR-CO® of SOUTH DAKOTA
2309 Shur-Lok Street, Yankton
877-729-2969
Fax: 605-665-0501

Donovan® Brand Headquarters
SHUR-CO® of FLORIDA
3353 SE Gran Park Way, Stuart
800-327-8287
Fax: 772-287-0431

SHUR-CO® of CANADA
490 Elgin Street, Unit 2
Brantford, Ontario N3S 7P8
800-265-0823
Fax: 519-751-3997

SHUR-CO® of IDAHO
921 Garber Street, Caldwell
208-455-1046
Fax: 208-455-1046

SHUR-CO® of OHIO
4676 Lynn Road, Rootstown
866-356-0242
Fax: 330-297-5599

SHUR-CO® of VERMILLION
1212 N. Norbeck St., Vermillion, SD
605-658-1020
Fax: 605-658-1022

SHUR-CO® of ILLINOIS
3993 E. Mueller Avenue, Decatur
866-356-0246
Fax: 217-877-8270

SHUR-CO® of NORTH DAKOTA
1746 4th Avenue NW, West Fargo
877-868-4488
Fax: 701-277-1284

SHUR-CO® of UK LIMITED
Unit 41, Rochester Airport Estate
Laker Road
Rochester, Kent ME1 3QX

For Shur-Co® branded products,
please request our Shur-Co® and Flatbed Pricing Catalogs
by calling any of the numbers listed on this page.



DONOVAN-TARPS.COM

PH. 800-327-8287