



CABLE-LOK™ SPOOL ROLL TARP SYSTEM

A002PG-0622

Shur-Co® History	pgs. 2-3
Cable-Lok™ History	pgs. 4-5
Cable-Lok™ for Grain Carts	pgs. 6-7
Cable-Lok™ for Farm Bodies	pgs. 8-9
Cable-Lok™ for Tenders and Spreaders	pgs. 10-11
Cable-Lok™ for Belly Dumps	pgs. 12-13
Electric Upgrade	pgs. 14-15
Features and Options	pgs. 16-18
Box Detail Sheets	pgs. 19-22
Genuine Shur-Co® Replacement Parts	pgs. 24-41
Cross-Referenced Parts	pgs. 42-43
ShurTite™ and Donovan®	pgs. 44-45
Terms and Conditions	pg. 47

WHAT OUR CUSTOMERS SAY

“ I am 100% satisfied with Shur-Co®. As far as I'm concerned, there is only one tarp on the market! I've been farming for 25 years, and I've got Shur-Loks on my hopper-bottom trailers, seed wagons and grain carts. I'm an honest type of fellow and would be happy to tell you if your product could be improved upon, but I can't think of a thing!”

– Don Richey, Cypress Creek Farms, Central City, KY

“ It's like I'm always telling my customers, 'Buy the best or I'll fix the the rest.' Whenever someone asks for my recommendation, I say, 'Put on a Shur-Co®; you won't be back for repairs.' Then I say, 'But I'll be glad to fix the other brands – it's up to you.' Also, my customers love the ease and convenience of your SMARTrailer™ electric accessories!”

– Tim Harms, President, Harms Trucking Co., Minooka, IL

“ The Shur-Co® representative that I spoke with on the phone was well educated on many aspects of the Shur-Co® product line, as well as their replacement parts, which didn't leave me struggling to explain or second guessing myself. I can't say enough great things about Shur-Co®. Every single experience I've had with them has been excellent!”

– Tyler Volp, K&D Rivers, Omro, WI

“ I've always held Shur-Co® products in the highest regard. With my technical background, I am especially pleased that, when the company introduces a new product, it's always engineered right the first time. This means their customers will get the best possible performance, something that's not always true with other brands.”

– Greg Smith, Triangle Truck Center, Monroe, WI

“ I have used Shur-Co® and have seen firsthand the importance they place in regards to getting my equipment in and repaired and back on the road. As a business owner, it is important to me to have such a relationship with a business that puts quality not only in their products, but in their customer service as well.”

– Brad Olek, BJC Industries, Moorhead, MN

“ I have been amazed at the professional service I have received from Shur-Co® – nice people to deal with and very fast delivery! A lot of vendors nowadays lack in customer service, but I found Shur-Co's customer relations business plan matched mine. I have been purchasing tarps and supplies from Shur-Co® for close to 20 years. Neither myself nor my purchasing agents have ever had a confrontation or elevated issue. Any problems were handled with a professional attitude and corrected in a manner that satisfied both parties. The quality of Shur-Co's materials and workmanship has been top notch. It's been an excellent business relationship, to say the least.”

– Mark O'Nory, Industrial Transportation Services, Golden, CO

“ I ordered an Original Shur-Lok® tarping system, and it arrived exactly as scheduled. And once the system was installed on my grain cart, it worked very well. All necessary parts and instruction were there, and the Shur-Co® rep that I worked with was very knowledgeable and helpful.”

– Darrin Marshall, Rio, WI

“ The Shur-Co® representative that I spoke with on the phone was extremely helpful at making sure I had the right measurements for my Original Shur-Lok®, and the system was shipped to me very quickly. Just all around, I've received great customer service from Shur-Co®.”

– Matt Cavenee, Miller, SD

If you have comments on Shur-Co® products, please send them to Shur-Co® Marketing, 2309 Shur-Lok St., Yankton, SD 57078.

COMPANY TIMELINE

- 1954 A shoe repair shop opens in Wahpeton, ND, moves into tarp repair and then new tarps.
- 1969 Growing tarp demand results in the creation of Wahpeton Canvas Company (WCCO).
- 1980 The Original Shur-Lok® roll tarp is born. The simple, yet reliable invention revolutionizes the tarping industry.
- 1992 The truck cover division of the company splits off from WCCO and relocates to Yankton, SD.
- 1996 A name change to Shur-Co® more closely identifies the company with the Shur-Lok®, its best-known product.
- 2000 Shur-Co® enters the auto accessories field with its TruXedo® line (to be spun off as its own company in 2007 under new ownership).
- 2001 Acquisition is made of a highly automated metal fabrications operation.
- 2003 Shur-Co® is named South Dakota's Family Business of the Year.
- 2006 Shur-Co® moves into trailer automation with the launch of the 3500 Series electric upgrade for the Shur-Lok®. Like the introduction of the Shur-Lok® itself, 40 years ago, the 3500 is unlike anything in the electric tarp market.
- 2008 State-of-the-art expansion allows Shur-Co® to keep up with increasing product demand, bringing the company's total manufacturing area to 150,000 square feet.
- 2009 The ProTrap® electric hopper opener and five-channel SMARTransmitter® are launched to complement the 3500, for an expanded line of SMARTrailer™ products.
- 2010 Shur-Co®, LLC is formed with the existing management team, sparking unprecedented growth and global market expansion.
- 2012 More products join the Shur-Co® lineup: SMART2™ and SMART1+™ remotes, 4500 Series HD electric tarp, LiteALL™ work lights, DuraPull™ semi-auto pull tarp and IronSide™ side dump system. Later in the year, Shur-Co® acquires Donovan Enterprises, a top name in waste and construction tarp systems, with locations in Michigan, Florida and the UK – positioning Shur-Co® for global growth.
- 2014 Roll-Tite™ is acquired and rebranded as ShurTite™ – an industry-leading retractable tarp system for flatbed trailers, dropdecks, straight trucks and specialty vehicles.
- 2015 Global expansion continues as Shur-Co® sells products to over 30 countries on 6 continents.
- 2016 Growth continues as a branch dedicated to ShurTite™ installs and repairs opens in Sioux Falls, SD. Shur-Co® of ND moves into a new 24,000 square foot facility in West Fargo. Shur-Co® of IL relocates to a new 16,000 square foot facility in Decatur.
- 2017 Shur-Co® rolls out its SWAT® system for roll-off trucks and trailers in the waste market and the Tater-Top™ roll tarp for potato trailers. The company also celebrates 25 years in its Yankton, SD location.
- 2018 Shur-Co's continued focus on innovation adds additional products to its SMARTrailer™ line: the Electric Gate and Hoist and DriveMaxx™ Swing Auger Drive Kit.
- 2019 Shur-Co® opens a branch in Caldwell, Idaho. Shur-Co® adds the 4500 HD for grain cart applications, the AutoGate™ Gate Runner, TrapAdapt™ Manual Hopper Opener and Service Truck Power Kits.
- 2020 The Sioux Falls & Iowa operations are consolidated to new full-service branch located in Vermillion, SD.



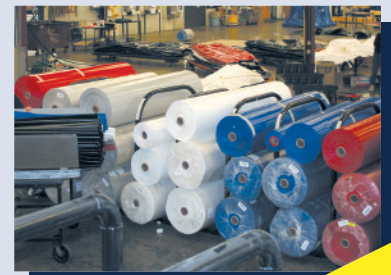
SUPERIOR MATERIALS AND WORKMANSHIP

Shur-Co® proudly serves our customers with 10 sales, service and distribution locations throughout North America, plus an ever-expanding global presence. We have the best-designed, best-engineered and best-built tarping systems on the market.

Our 150,000 square foot production site has its own dedicated tarp and metal fabrication facilities, giving us complete control over the products we produce. Exacting workmanship is key; our employees have a strong Midwest work ethic and are willing to go the extra mile to provide customers with a superior-quality product. They take pride in their jobs, and their dedication and attention to detail has earned us the respect of the tarping industry.

Shur-Co® never cuts corners. For our tarps, we use the finest solid vinyl-coated fabric with built-in UV inhibitors to reduce sun damage and fading. Each lot is lab tested for tear strength, abrasion resistance and cold-temperature flexibility.

Shur-Co® quality shows, even in the smallest details: Reinforced stitching adds strength at stress points, reducing the likelihood of tears. Seams are heat welded for a watertight bond between panels; the added thickness creates an improved moisture barrier. Roll tubes, fixed tubes and bows are made from Gatorshield™ galvanized steel tubing, with 50 percent more zinc than standard galvanized processes, ideal for high-moisture applications. All other steel components are plated to stand up to harsh road treatment chemicals. Aluminum, stainless steel and powder-coated parts are also available – and many come standard – when added protection is needed for corrosive environments.



OUR CUSTOMERS ASKED, AND WE DELIVERED



PREMIUM SPOOL ROLL TARP ON THE MARKET

While *The Original Shur-Lok®* fills the main niche in the roll tarp market, some folks prefer a spool roll tarp and were looking for better quality than was currently available. To meet and even exceed that demand, Shur-Co® added the Cable-Lok™ to our product line in 2010.

Engineered for secure tarp attachment, the Cable-Lok™ has an extruded tarp attachment slot running the full length of the aluminum roll tube. Once the tarp is inserted, a safety rod anchors it in place, making for easy tarp removal down the road. Tension is distributed evenly along the fabric – no binding, overlap or friction. This gives the tarp a fitted appearance that looks great. Applications are available for grain carts, farm bodies and fertilizer tenders and spreaders.

No-weld installation makes the Cable-Lok™ a go-to choice for busy farmers. Its galvanized steel bows and easy-off tarp stops keep things simple, allowing tarp removal with minimal tools in the shortest amount of time. Stops are self-cleaning for further time savings. The crank retainer is designed to swivel for convenient snap-in attachment, and the polymer crank handle provides a sure, comfortable grip, even in wet weather.





REPLACEMENT PARTS FOR OTHER BRANDS

Nowhere is Shur-Co's quality more evident than in our Genuine replacement tarps and parts for the Cable-Lok™. Our strict tolerance guidelines promote complete product interchangeability; no matter which spool tarp system you own, we can fit it.

The Cable-Lok™ is superior in design, materials and workmanship to every other spool tarp system on the market today. If you started with one of our competitors, we can still improve your results with our Genuine Shur-Co® replacement tarps and parts. We have even put together a handy Parts Cross-Reference section (pgs. 40-41) for your ordering convenience.

Shur-Co® quality is in the details, and the Cable-Lok™ is no exception. Steel components are plated or powder coated for strength and increased corrosion resistance. Stainless steel upgrades are also available, and in our fertilizer tender and spreader applications, stainless and powder-coated parts come standard (pgs. 10-11). Ridge straps of high-tensile webbing resist wind and the additional stresses of operation and highway speeds.



SMOOTH AND EASY TARP OPERATION



CABLE-LOK™ FOR GRAIN CARTS AND WAGONS

Cable-Lok™ is the smoothest move in tarping – it goes from open to closed and back again simply and easily. Spring-loaded tension with cable attachment keeps your tarp tight, even in moderate wind conditions. Cable-Lok™ covers boxes up to 24 feet long and 12 feet wide.

Durable nylon spools and a galvanized steel cable offer a unique blend of strength and endurance, to keep the system operating smoothly year after year. Ratchets let you adjust tarp tension at install; consider an upgrade to the 42-inch cable for added convenience.

A non-collapsible, reinforced flexible hose assembly moves the tarp spool freely across the end caps. The telescoping/indexing crank arm provides optimum adjustment – a nylon sleeve bushing lets you quickly change arm length and the indexing handle adjusts to 6 angles set by 60-degree increments. Its 2-piece design makes replacement easy and affordable.

Key Features: No-Weld Install, Easy-Off Tarp Stops, Galvanized Bows/Brackets, Galvanized End Caps, 1" Ridge Strap, Galvanized Telescoping/Indexing Crank, Telescoping Nylon Crank Retainer, Spool w/Galvanized Cable w/Zinc-Plated Ratchets, Aluminum Roll Tube w/Channel Tarp Attachment, Galvanized Fixed Tube, 18-Oz. Vinyl Tarp.



STANDARD FEATURES AND OPTIONS

TARP STOPS	
● Easy-Off Tarp Stops	Standard
6" Offset Easy-Off Tarp Stop	Add/Ea.
BOWS/BRACKETS	
● Galvanized Steel (LR/HR) Bows/Brackets – Standard 102" or Less	
● Galvanized X-Wide (HR/Flat*) Bows/Brackets – Standard 103" or More	
Add'l. Galvanized Steel (LR/HR) Bow (102" or Less)	Add/Ea.
Add'l. Galvanized X-Wide (HR) Bow (103" or More)	Add/Ea.
Add'l. Galvanized X-Wide (Flat*) Bow (103" or More)	Add/Ea.
Adjustable Bow Bracket – For Slanted w/Angle Ext.	Add/Ea.
END CAPS	
● Galvanized Steel (LR/HR) End Caps – Standard 102" or Less	
● Galvanized Steel (LR/HR) End Caps – Standard 103" or More	
Aluminum (LR/HR) End Caps (102" or Less)	Add/Set
RIDGE SUPPORTS	
● 1" Ridge Strap – Over 8'6" Gets 2	Standard
Additional 1" Ridge Strap (Up to 24')	Add/Ea.
No Ridge Strap	Deduct/Ea.
CRANK ARMS	
● Galvanized Telescoping/Indexing Crank (8'3" to 11'6")	Standard
Galvanized Telescoping/Indexing Crank (6'1" to 9'4")	
Galvanized Telescoping/Indexing Crank (9'7" to 12'10")	
Galvanized Crank - 1 Pc.	Deduct
RETAINERS	
● Telescoping Nylon Crank Retainer w/ Universal Crank Retainer Support Kit	Standard
Additional Telescoping Nylon Crank Retainer	Add
Telescoping Crank Retainer w/Standoff	Add
Crank Retainer w/Standoff – For 1-Pc. Crank	Deduct
No Universal Crank Retainer Support Kit	Deduct
SPOOLS/CABLES	
● Spool w/18" Galvanized Steel Cables/Ratchets	Standard
42" Galvanized Steel Cables/Ratchets	Add/Ea.
ROLL TUBE/TARP ATTACHMENT	
● Ext. Alum. Roll Tube/Channeled Tarp Attachment	Standard
FIXED TUBE	
● Galvanized Steel Fixed Tube	Standard
TARP OPTIONS	
● 18-Oz. Vinyl Tarp – Choice of Color**	Standard

*Flat bows/caps work best installed on carts with tip-top extensions. To ensure water shed-ability, do NOT install on carts without extensions.

**Available colors: red, black, royal blue, white, yellow, green, orange, grape, maroon, tan, brown or gray.

HARDWARE QTY

SIZE	TARP STOPS	STANDARD BOWS
8' to 10'	3	2
11' to 14'	3	3
15' to 18'	3	4
19' to 22'	4	5
23' to 24'	4	6

In the chart at left, features that come standard are indicated by a ●, but you can also see what options are available for this application in each category.

Recommended hardware quantities are noted in the chart below left.

EASY-OFF TARP STOP



GALVANIZED BOW/BRACKET



GALVANIZED STEEL END CAP



1" RIDGE STRAP



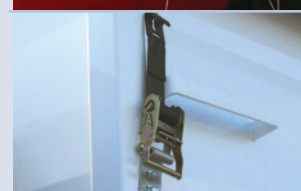
TELESCOPING/INDEXING CRANK



TELESCOPING NYLON RETAINER



18" GALVANIZED CABLE/RATCHET



GALVANIZED FIXED TUBE



MADE TO FIT MOST MAKES AND MODELS



CABLE-LOK™ FOR FARM BODIES

Now you can quick-roll your tarp standing in one spot – no need to keep shifting around for a better, more efficient angle. Cable-Lok™ provides smooth tarp operation from fully open to completely closed while spring-loaded tension keeps the tarp tight.

The Cable-Lok™ system covers boxes up to 24 feet long and 12 feet wide. It has an extruded tarp attachment slot running the full length of the aluminum roll tube. Once inserted, a safety rod anchors the tarp in place for easier removal, if necessary. Tension is distributed evenly along the fabric – no binding, overlap or friction.

Our easy-off tarp stops let you remove the tarp with minimal tools in a short amount of time. An upgrade to 6-inch easy-off stops allows you to store the tarp off to the side of the top rail.

Key Features: No-Weld Install, Easy-Off Tarp Stops, Galvanized Bows/Brackets, Galvanized End Caps, 1" Ridge Strap, Galvanized Telescoping/Indexing Crank, Telescoping Nylon Crank Retainer, Spool w/Galvanized Cable w/Zinc-Plated Ratchets, Aluminum Roll Tube w/Channel Tarp Attachment, Galvanized Fixed Tube, 18-Oz. Vinyl Tarp.



STANDARD FEATURES AND OPTIONS

TARP STOPS	
● Easy-Off Tarp Stops	Standard
6" Offset Easy-Off Tarp Stop	Add/Ea.
BOWS/BRACKETS	
● Galvanized Steel (LR/HR) Bows/Brackets	Standard
Additional Galvanized Steel (LR/HR) Bow/Bracket	Add/Ea.
No Galvanized Steel (LR/HR) Bow/Bracket	Deduct/Ea.
END CAPS	
● Galvanized Steel (LR/HR) End Caps	Standard
Aluminum (LR/HR) End Caps	Add/Set
RIDGE SUPPORTS	
● 1" Ridge Strap	Standard
Additional 1" Ridge Strap (Up to 24')	Add/Ea.
No Ridge Strap	Deduct/Ea.
CRANK ARMS	
● Galvanized Telescoping/Indexing Crank (6'1" to 9'4")	Standard
Galvanized Telescoping/Indexing Crank (4'9" to 7'10")	
Galvanized Telescoping/Indexing Crank (8'3" to 11'6")	
Galvanized Short Crank - 1 Pc.	Deduct
RETAINERS	
● Telescoping Nylon Crank Retainer*	Standard
Additional Telescoping Nylon Crank Retainer	Add
Telescoping Crank Retainer w/Standoff	Add
Crank Retainer w/Standoff - For 1-Pc. Crank	Deduct
SPOOLS/CABLES	
● Spool w/18" Galvanized Steel Cables/Ratchets	Standard
42" Galvanized Steel Cables/Ratchets	Add/Ea.
ROLL TUBE/TARP ATTACHMENT	
● Ext. Alum. Roll Tube/Channeled Tarp Attachment	Standard
FIXED TUBE	
● Galvanized Steel Fixed Tube	Standard
TARP OPTIONS	
● 18-Oz. Vinyl Tarp - Choice of Color**	Standard

*You ONLY receive one (1) crank retainer as standard equipment for this system.

**Available colors: red, black, royal blue, white, yellow, green, orange, grape, maroon, tan, brown or gray.

HARDWARE QTY

SIZE	TARP STOPS	STANDARD BOWS
8' to 10'	3	2
11' to 14'	3	3
15' to 18'	3	4
19' to 22'	4	5
23' to 24'	4	6

In the chart at left, features that come standard are indicated by a ●, but you can also see what options are available for this application in each category.

Recommended hardware quantities are noted in the chart below left.

EASY-OFF TARP STOP



GALVANIZED BOW/BRACKET



GALVANIZED STEEL END CAP



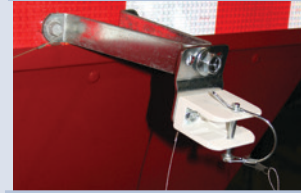
1" RIDGE STRAP



TELESCOPING/INDEXING CRANK



TELESCOPING NYLON RETAINER



18" GALVANIZED CABLE/RATCHET



GALVANIZED FIXED TUBE



DESIGNED TO ENDURE CORROSIVE PRODUCT



CABLE-LOK™ FOR TENDERS AND SPREADERS

Whether you're hauling seed or blended fertilizer or micronutrients, the Cable-Lok™ provides waterproof protection when it's absolutely crucial that loads stay dry. Its stainless steel and powder-coated components are designed to stand up to the most corrosive environments.

All of that stainless steel and powder coating come standard, adding durability and lasting performance by helping to reduce the corrosion problems that go hand in hand with hauling fertilizer. An ideal upgrade is our flexible easy-off tarp stop. It's also corrosion resistant, with just the right amount of give, even in subzero temperatures.

Key Features: No-Weld Install, Powder-Coated Easy-Off Tarp Stops w/Stainless Bodies, Stainless Bows/Brackets, Stainless End Caps, Stainless 1" Ridge Strap, Stainless Telescoping/Indexing Crank, Telescoping Nylon Crank Retainer, Spool w/Stainless Cable and Ratchets, Aluminum Roll Tube w/Channel Tarp Attachment, Stainless Fixed Tube, 18-Oz. Vinyl Tarp.



STANDARD FEATURES AND OPTIONS

TARP STOPS		
● Powder-Coated Easy-Off w/Stainless Stop Body		Standard
Powder-Coated Easy-Off w/Plated Steel Stop Body		
Powder-Coated 6" Offset EO w/Plated Steel Body		Add/Ea.
BOWS/BRACKETS		
● Stainless Steel (LR/HR) Bows - Top Mount		Standard
Stainless (LR/HR) Bow/Bracket - Std. Mount		Add/Ea.
Galvanized (LR/HR) Bow/Bracket - Std. Mount		Deduct/Ea.
No Stainless (LR/HR) Bow/Bracket - Top Mount		Deduct/Ea.
ENDCAPS		
● Stainless Steel (LR/HR) End Caps		Standard
Galvanized Steel (LR/HR) End Caps		Deduct/Set
No Stainless (LR/HR) End Caps		Deduct/Set
RIDGE SUPPORTS		
● Stainless Steel 1" Ridge Strap		Standard
1" Ridge Strap w/Powder-Coated Components		Deduct/Ea.
Add'l. Stainless Steel 1" Ridge Strap (Up to 24')		Add/Ea.
Add'l. 1" Ridge Strap w/Powder-Coated (Up to 24')		Add/Ea.
No Stainless Steel Ridge Strap		Deduct/Ea.
CRANK ARMS		
● Stainless Telescoping/Indexing Crank (6'1" to 9'4")		Standard
Stainless Telescoping/Indexing Crank (4'9" to 7'10")		
Stainless Telescoping/Indexing Crank (8'3" to 11'6")		
Stainless Crank - 1 Pc.		Deduct/Ea.
RETAINERS		
● Telescoping Nylon Crank Retainer		Standard
Additional Telescoping Nylon Crank Retainer		Add
Telescoping Crank Retainer w/Stainless Standoff		Add
Stainless Crank Retainer w/Standoff - For 1-Pc. Crank		Deduct
SPOOLS/CABLES		
● Spool w/18" Stainless Steel Cables/Ratchets		Standard
42" Stainless Steel Cables/Ratchets		Add/Ea.
ROLL TUBE/TARP ATTACHMENT		
● Ext. Alum. Roll Tube/Channeled Tarp Attachment		Standard
FIXED TUBE		
● Stainless Steel Fixed Tube		Standard
TARP OPTIONS		
● 18-Oz. Vinyl Tarp - Choice of Color*		Standard

*Available colors: red, black, royal blue, white, yellow, green, orange, grape, maroon, tan, brown or gray.

HARDWARE QTY

SIZE	TARP STOPS	STANDARD BOWS
8' to 10'	3	2
11' to 14'	3	3
15' to 18'	3	4
19' to 22'	4	5
23' to 24'	4	6

In the chart at left, features that come standard are indicated by a ●, but you can also see what options are available for this application in each category.

Recommended hardware quantities are noted in the chart below left.

POWDER-COATED
EASY-OFF TARP STOP



STAINLESS STEEL BOW



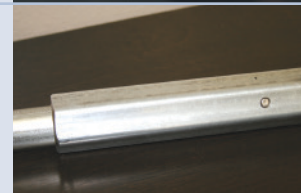
STAINLESS STEEL END CAP



STAINLESS STEEL 1" RIDGE STRAP



STAINLESS TELESCOPING/
INDEXING CRANK



TELESCOPING NYLON RETAINER



18" STAINLESS STEEL CABLE/RATCHET



STAINLESS STEEL FIXED TUBE



FOR REALLY RELIABLE WEATHER PROTECTION



CABLE-LOK™ FOR BELLY DUMPS

For a reliable roll tarp system that performs well in windy conditions, the Cable-Lok™ is an ideal choice for belly dumps. With its wide variety of options on end caps, tarp stops and bow supports, it can be configured to work the way it needs to for your specific hauling operation.

Self-cleaning end caps are available to help minimize the amount of aggregate or material from the top of your trailer that could pose a potential hazard for other vehicles and windshields. If open loading space is critical, the Cable-Lok™ can be configured with wider-spaced heavy-duty bows and an optional ridgepole to prevent tarp sagging and premature wear.

Our easy-off tarp stops let you remove the tarp with minimal tools in the least amount of time. An upgrade to 6-inch offset easy-off tarp stops will store the tarp off to the side of the top rail. The flexible versions of both of these stops are impact and abrasion resistant, bending as needed even in subzero temperatures.

With our electric upgrade, we can set up your system to be completely operational from the cab of the truck – a valuable feature for locations that don't allow drivers to exit the vehicle.

Key Features: No-Weld Install, Easy-Off Tarp Stops, Heavy-Duty Aluminum Inverted Caps, Galvanized Steel Telescoping/Indexing Crank, Telescoping Nylon Crank Retainers (2), Spool w/Galvanized Steel Cables w/Zinc-Plated Ratchets, Aluminum Roll Tube w/Channel Tarp At-tachment, Galvanized Steel Fixed Tube, 18-Oz. Vinyl Tarp.



STANDARD FEATURES AND OPTIONS

TARP STOPS	
● Easy-Off Tarp Stops	Standard
Flexible Easy-Off Tarp Stop	Add/Ea.
6" Offset Easy-Off Tarp Stop	Add/Ea.
6" Offset Flexible Easy-Off Tarp Stop	Add/Ea.
BOWS/BRACKETS	
● No Bows/Brackets	Standard
Durabow™ w/Galvanized Steel Bracket	Add/Ea.
Durabow™ w/Aluminum Bracket	Add/Ea.
Heavy-Duty (LR/HR) Bows/Bracket	Add/Ea.
END CAPS	
● Heavy-Duty Aluminum Inverted Caps	Standard
Galvanized Steel (LR/HR) End Caps	Deduct/Set
RIDGE SUPPORTS	
● No Ridge Strap	Standard
1" Ridge Strap (Up to 24')	Add/Ea.
CRANK ARMS	
● Galv. Telescoping/Indexing Crank (9'7" to 12'10")	Standard
Galvanized Telescoping Crank (14'3" to 17')	Add
RETAINERS	
● Telescoping Nylon Crank Retainers*	Standard
SPOOLS/CABLES	
● Spool w/18" Galvanized Steel Cables/Ratchets	Standard
42" Galvanized Steel Cables/Ratchets	Add/Ea.
ROLL TUBE/TARP ATTACHMENT	
● Ext. Alum. Roll Tube/Channeled Tarp Attachment	Standard
FIXED TUBE	
● Galvanized Steel Fixed Tube	Standard
TARP OPTIONS	
● 18-Oz. Vinyl Tarp – Choice of Color*	Standard

*You ONLY receive one (1) crank retainer as standard equipment for this system.

**Available colors: red, black, royal blue, white, yellow, green, orange, grape, maroon, tan, brown or gray.

HARDWARE QTY

SIZE	TARP STOPS	HD BOWS	STANDARD BOWS
10' to 14'	3	2	2
15' to 18'	3	2	3
19' to 22'	4	2	4

In the chart at left, features that come standard are indicated by a ●, but you can also see what options are available for this application in each category.

Recommended hardware quantities are noted in the chart below left.

EASY-OFF TARP STOP



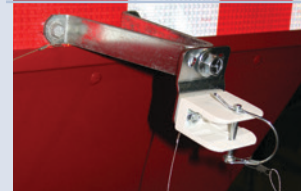
HEAVY-DUTY ALUMINUM
INVERTED CAP



TELESCOPING/INDEXING CRANK



TELESCOPING NYLON RETAINER



18" GALVANIZED CABLE/RATCHET



ALUMINUM ROLL TUBE



GALVANIZED FIXED TUBE



18-OZ. VINYL TARP



THE LIGHT-DUTY MOTOR



ELECTRIC UPGRADE

The electric upgrade for the Cable-Lok™ accommodates sloped or vertical trailers and boxes, works with minimal clearance and is easy to install and operate. This light-duty motor offers manual override capability and mounts on the front or the rear.

Shur-Co's electric upgrade works on existing Cable-Lok™ systems and bodies up to 24 feet long. Spring-loaded tension with cable attachment keeps the tarp tight, even in moderate wind. It's equipped with durable components and can be installed snugly up against the box for tight clearances between cab and body. Kits are available in galvanized steel or stainless steel for added corrosion resistance.

The versatility of a light-duty motor option allows you to better fit your trailer size and configuration, impacts wind flutter control and tarp wear and facilitates how the tarp rolls and handles irregularities during operation.

Key Features: 90° Worm Gear Motor, Pivot/Slide Arm Design w/Versatile Mounting Options, Cab Rocker Switch or SMART2™ or SMART3™ Remote (No Express Mode Capabilities), Bungee Return System.



The SMARTdrive™ motor was designed for use with our Cable-Lok™ and Shur-Lok® tarp systems in the fertilizer industry. The SMARTdrive™ utilizes Shur-Co's exclusive SMARTwire™, which features 100% sealed connections and eliminates crimped ends, ring terminals, premature motor failure, and wire corrosion.





Cable-Lok™ Electric works on existing Cable-Lok™ tarp systems and trailers up to 24'. Accommodates sloped or vertical trailers, works with minimum clearance and is easy to install and operate. Spring-loaded tension with cable attachment keeps tarp tight, even in moderate wind conditions. Light-duty motor offers a manual override and can be mounted on front or rear.

COMPLETE KITS

TRAILER OPTIONS	KIT OPTION	DURABUILT™ MOTOR		SMARTDRIVE™ MOTOR	
		ROCKER	SMART3™	ROCKER "EXPRESS"***	SMART3™ "EXPRESS"
Farm Box w/Hoist	Galvanized	1119518*	1126936*	1130441**	1130443**
	Stainless	1123970*	1126937*	1130442**	1130444**
Fertilizer Tender	Stainless	1119514*	1126942*	1128844**	1128845**
Fertilizer Tender Trailer	Stainless	1123973*	1126939*	No Option	1128850**
Belly Dump	Galvanized Front Mount	1125873*	No Option	No Option	No Option
	Galvanized Rear Mount	1125872*	No Option	No Option	No Option

*Will NOT operate in Express Mode.

**Will operate in Express Mode.

***Can be upgraded to remote by ordering P/N 1126867

Note: SMART2™ systems not available with SMARTDrive™ Rocker Express.

MODES OF OPERATION

- Rocker - Uses the Durabuilt™ Motor. Operate the tarp system by utilizing a rocker switch inside the cab.
- SMART3™ - Uses the Durabuilt™ Motor. Operate the tarp system by SMART3™ remote or by utilizing the buttons on the receiver located on the box. The Express Mode feature is NOT compatible with this option.
- Rocker Express - Uses the sealed SMARTdrive™ motor. Operate the tarp system by utilizing the express rocker switch located inside the cab or by pressing the buttons on the Shur-Co® receiver located on the box. One push of the button will open and close tarp system automatically in Express Mode.
- SMART3™ Express - Uses the sealed SMARTdrive™ motor. Operate the tarp system in Express Mode by SMART3™ remote or by utilizing the buttons on the Shur-Co® receiver located on the box. One push of the button on remote or receiver box will open and close tarp system automatically in Express Mode.

BOW COVERS



Standard

Vinyl-coated compound protects bows against wear. Reduces grain splatter.

BOWS/BRACKETS



Galvanized Steel

Bracket lets bow flex to match box expansion. Low and high rise, X-wide styles available.



Stainless Steel

Lasting durability – stands up to corrosive environments. In low-rise, high-rise, top-mount and standard-mount styles.



Flat

Flattened version of a heavy-duty bow – no-rise design for less loader interference.



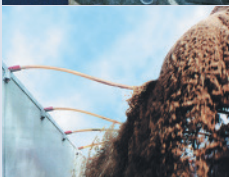
Adjustable Bracket

This Bracket allows for better fit of bow on Slanted with Overhang extensions.



Heavy Duty

Beefed-up bow permits bow spacing up to 12 feet apart. In low-rise or high-rise versions.



Durabow™

Molded resin bow supports tarp but has enough give that it can be left on during loading.

CRANK ARMS



1-Pc. Galvanized

Provides 4-position length adjustment. Mounts vertically or horizontally. In 3 sizes.



1-Pc. Stainless Steel

Provides a long-lasting sharper image as well as improved resistance to corrosion.



Flexible Hose Adjustment

Reinforced flexible hose assembly attaches to arm, moves tarp spool easily across caps.



Telescoping/Indexing

Nylon sleeve bushing offers arm length/handle adjustment by 60-degree increments. 2 pc.



Stainless Telescope/Index

More corrosive-resistant version of galvanized telescoping/indexing crank above.

CRANK ARM HARDWARE



Standard J-Hook Retainer

Traditional-style retainer uses pins and cables to secure arm to trailer.



Stainless Steel Retainer

Secures crank arm to trailer in most accessible position. Resists corrosion.



Telescoping Nylon Retainer

Secures telescoping/indexing handle. Prevents extension of handle during transport.



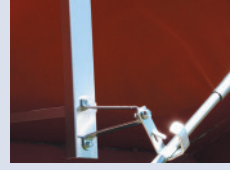
Stainless Telescoping Ret.

Secures stainless telescoping/indexing handle to prevent it from extending during travel.



Standoffs

Choose from 2-inch, 3-inch, 7-inch and 11-inch sizes for optimal retainer positioning.



Universal Retainer Support

Kit accommodates non-vertical configurations often needed on grain carts and wagons.

ELECTRIC ACCESSORIES



Durabuilt™ Motor

Universal design - 5 mounting holes and 2 roller bar attachment holes. 100% sealed.



SMART2™ Remote

For 2-way communication in a digital display. Runs over 100 devices from over 100 feet, specifies exact positioning.



SMART3™ Remote

Popular modular 5-channel re-mote operates electric tarp and 4 more 12-volt options.



Aluminum

Sharpest match for aluminum trailers. High-rise options offer more space for loads.



Galvanized Steel

Weld-free construction provides corrosion resistance. Front guard cuts wind whip.



HD Aluminum Inverted

Allows clear load space over trailer opening. Reduces cap damage by loaders, materials.



Stainless Steel

For durable performance, increased corrosion resistance and a sharper appearance.



Universal Flat

Flat, 22-inch extension helps minimize total height of trailer for hard-to-fit models.

FIXED TUBES



Galvanized Steel

Anchors tarp on one side of box or trailer to facilitate tarp rolling. 1-1/8-inch diameter.



Stainless Steel

Helps withstand corrosive environments. Anchors tarp on box or trailer. 1-inch diameter.

RATCHET/CABLE ASSEMBLIES



Galvanized Steel Cable/ Zinc-Plated Ratchet

Allows tightening of tarp at installation. In 18-inch and 42-inch cable lengths.



Stainless Steel Cable/ Zinc-Plated Ratchet

Allows tarp tension adjustment, resists corrosion. In 18-inch, 42-inch cable lengths.

RIDGE SUPPORTS



Ridge Strap

Stretch-resistant webbing prevents tarp sag between bows. In 1-inch and 2-inch sizes.



Stainless Ridge Strap

Same design as our standard ridge strap - in stainless steel for more corrosion resistance.



Ridge Strap w/Powder- Coated Components

Allows tightening of tarp at install. Comes in 18-inch and 42-inch cable lengths.



Dual Ridge Straps

Offset placement offers larger opening and clear flow for loading. Cuts grain splatter.



Rollaway Ridgepole

Steel pole with protective end caps. Slides into pocket, then rolls up along with tarp.

TARP OPTIONS



Solid Vinyl-Coated Fabric

Heat-welded seams provide an added moisture barrier. Built-in UV inhibitors resist fading.



Multicolored Fabric

Custom color creates high visibility for instant recognition. Acts as a deterrent to theft.

TARP REPAIR



Standard Kit

One pint of cleaner, 1 quart of vinyl cement and 10 square feet of vinyl-coated fabric.

Professional Kit

Includes a Wagner heat gun, scissors, roller, 10 square feet of fabric and instructions.

TARP STOPS All interchangeable – use same hole spacing.



Redesigned Easy-Off

Taller, with its patent-pending curved tip. Keeps tarp from getting hung up and rubbing.



Redesigned 6" Offset EO

Offset design offers maximum loading space. Taller, with its patent-pending curved tip.



Flexible Easy-Off

Bends even in subzero cold. Impact and abrasion resistant with embedded safety plates.



6" Offset Flexible Easy-Off

All the advantages of regular 6-inch offset easy-off stops, plus cold-temp flexibility.



Powder-Coated/Stainless

Our basic easy-off stop – with a black powder-coated finish and stainless steel stop body.



Powder-Coated/Stainless 6" Offset Easy-Off

Maximizes loading space and displays increased resistance to corrosive conditions..

CABLE-LOK™ BOX DETAILS For Grain Carts and Wagons

CORRECT PHYSICAL MEASUREMENTS ARE ESSENTIAL FOR PROPER TARP FIT. PROVIDE ALL REQUESTED INFORMATION OR YOUR ORDER MAY BE DELAYED. **DO NOT** USE UNIVERSAL BOX SIZES. **ALWAYS** USE ACTUAL MEASUREMENTS. BOX SIZE AND FINISHED TARP SIZE ARE **NOT** THE SAME.

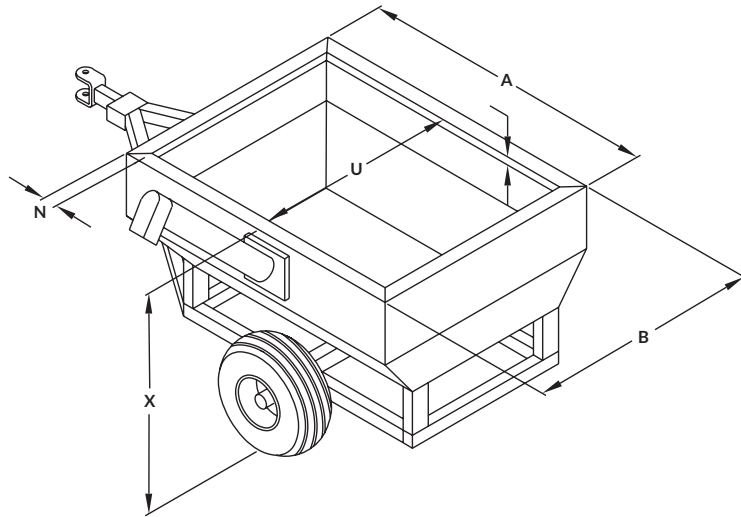


FIGURE 1

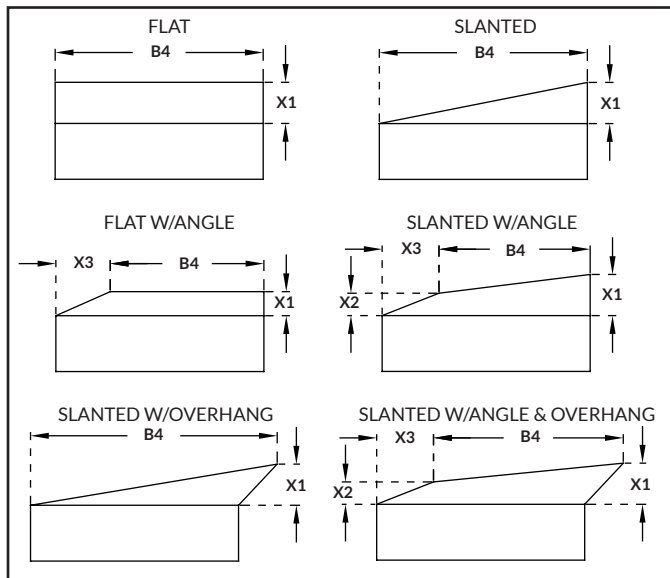


FIGURE 2

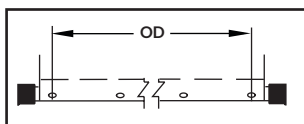
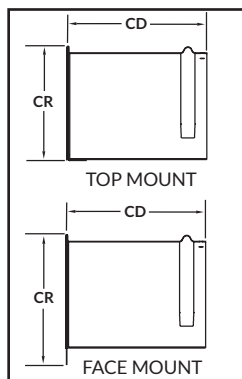


FIGURE 3



CONTACT INFORMATION

G05BD-0618

NAME _____
 ADDRESS _____
 EMAIL _____
 CITY _____ STATE _____ ZIP _____
 PHONE _____ FAX _____
 BOX/TRAILER MAKE _____
 MODEL _____ YEAR _____

BOX DIMENSIONS

A _____ UPPER OUTSIDE BOX LENGTH
 B _____ UPPER OUTSIDE BOX WIDTH
 Front _____ Center _____ Rear _____
 N _____ TOP RAIL WIDTH
 U _____ INSIDE BOX WIDTH
 X _____ OUTSIDE BOX HEIGHT FROM GROUND

LIP IN LIP OUT

REAR CONFIGURATION *Must answer this*

VERTICAL SLOPED

BOX EXTENSION STYLE *See Figure 1*

FLAT SLANTED FLAT W/ANGLE
 SLANTED W/ANGLE SLANTED W/OVERHANG
 SLANTED W/OVERHANG AND ANGLE

BOX EXTENSION DIMENSIONS

B4 _____ EXTENSION WIDTH
 X1 _____ EXTENSION HEIGHT DRIVER'S SIDE
 X2 _____ EXTENSION HEIGHT PASSENGER SIDE
 X3 _____ LOWER EXTENSION ANGLE

TARP COLOR(S) _____

REPLACEMENT TARPS

TYPE OF TARP BEING REPLACED *See Figure 2 for outer hole distance*

CABLE-LOK™ W/CHANNEL
 OTHER W/CHANNEL OTHER BRAND _____
 OTHER W/RIVETS No. Rivets _____ Outer Hole Distance _____

_____ FINISHED SEWN TARP LENGTH
 _____ FINISHED SEWN TARP WIDTH

TYPE OF CAP MEASURED *See Figure 3*

FACE MOUNT TOP MOUNT

CR _____ END CAP RISE
 CD _____ END CAP DEPTH Front _____ Rear _____
 _____ OUTSIDE END CAP TO END CAP LENGTH
 _____ BOX WIDTH
 _____ BOX LENGTH

CABLE-LOK™ BOX DETAILS For Farm Bodies

CORRECT PHYSICAL MEASUREMENTS ARE ESSENTIAL FOR PROPER TARP FIT. PROVIDE ALL REQUESTED INFORMATION OR YOUR ORDER MAY BE DELAYED. **DO NOT** USE UNIVERSAL BOX SIZES. **ALWAYS** USE ACTUAL MEASUREMENTS. BOX SIZE AND FINISHED TARP SIZE ARE **NOT** THE SAME.

CONTACT INFORMATION

G06BD-0618

NAME _____
 ADDRESS _____
 EMAIL _____
 CITY _____ STATE _____ ZIP _____
 PHONE _____ FAX _____
 BOX/TRAILER MAKE _____
 MODEL _____ YEAR _____

BOX DIMENSIONS

A _____ UPPER BOX LENGTH
 B _____ UPPER BOX WIDTH
 N _____ TOP RAIL WIDTH
 U _____ INSIDE BOX WIDTH
 X _____ OUTSIDE BOX HEIGHT FROM GROUND

TARP COLOR(S) _____

REPLACEMENT TARPS

TYPE OF TARP BEING REPLACED *See Figure 1 for outer hole distance*

- CABLE-LOK™ W/CHANNEL
 OTHER W/CHANNEL OTHER BRAND _____
 OTHER W/RIVETS No. Rivets _____ Outer Hole Distance _____

_____ FINISHED SEWN TARP LENGTH
 _____ FINISHED SEWN TARP WIDTH

TYPE OF CAP MEASURED *See Figure 2*

- FACE MOUNT TOP MOUNT

CR _____ END CAP RISE
 CD _____ END CAP DEPTH Front _____ Rear _____
 _____ OUTSIDE END CAP TO END CAP LENGTH
 _____ BOX WIDTH
 _____ BOX LENGTH

FIGURE 1

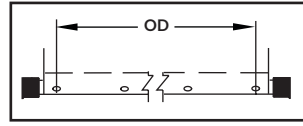
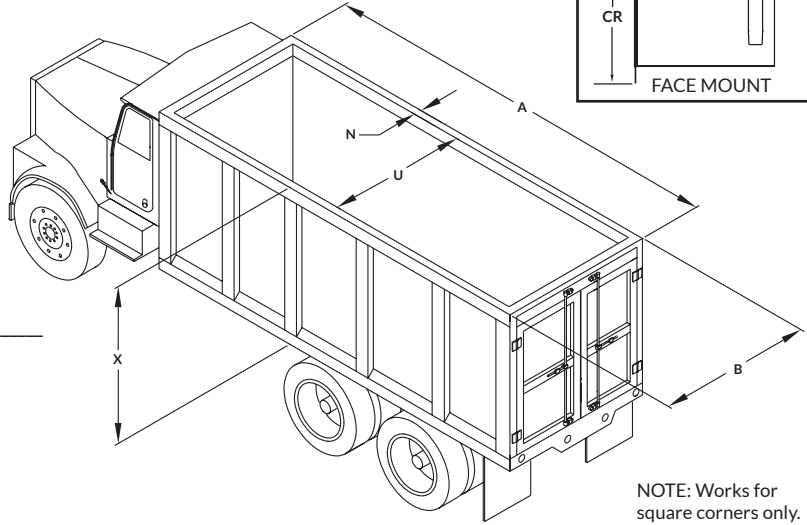
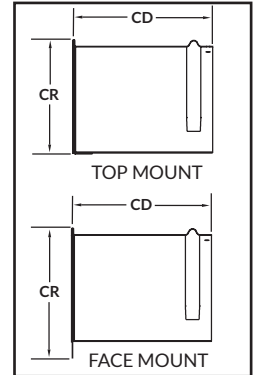


FIGURE 2



NOTE: Works for square corners only.

CABLE-LOK™ BOX DETAILS For Fertilizer Tenders and Spreaders

CORRECT PHYSICAL MEASUREMENTS ARE ESSENTIAL FOR PROPER TARP FIT. PROVIDE ALL REQUESTED INFORMATION OR YOUR ORDER MAY BE DELAYED. **DO NOT** USE UNIVERSAL BOX SIZES. **ALWAYS** USE ACTUAL MEASUREMENTS. BOX SIZE AND FINISHED TARP SIZE ARE **NOT** THE SAME.

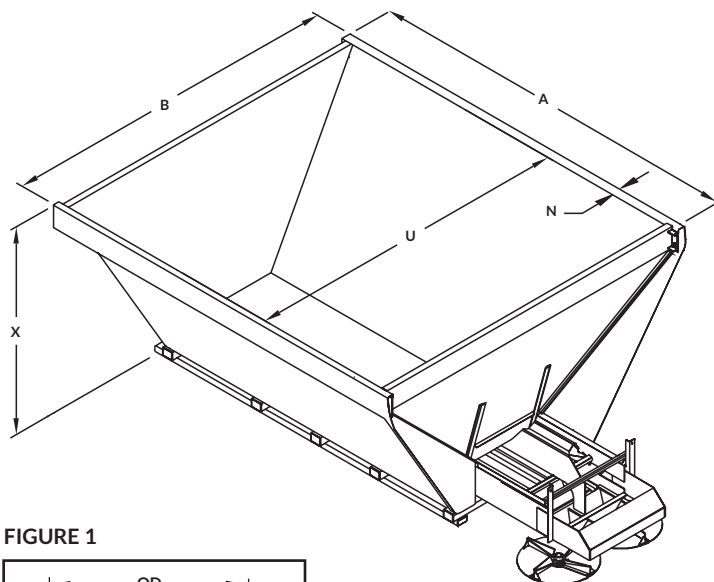


FIGURE 1

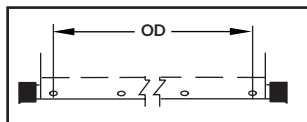
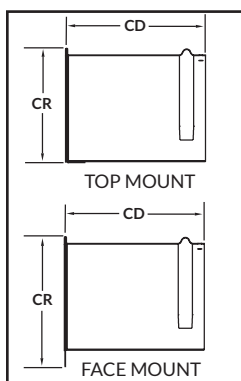


FIGURE 2



CONTACT INFORMATION

G07BD-0618

NAME _____
 ADDRESS _____
 EMAIL _____
 CITY _____ STATE _____ ZIP _____
 PHONE _____ FAX _____
 BOX/TRAILER MAKE _____
 MODEL _____ YEAR _____

BOX DIMENSIONS

A _____ UPPER BOX LENGTH
 B _____ UPPER BOX WIDTH
 N _____ TOP RAIL WIDTH
 U _____ INSIDE BOX WIDTH
 X _____ OUTSIDE BOX HEIGHT FROM GROUND

IF SPREADER:

GRANULAR BIN: INSIDE BOX OUTSIDE BOX
 SPREADER STYLE: SELF-PROPELLED AIR SYSTEM
 SPINNER PULL-TYPE SPINNER

IF TENDER:

MOUNTING STYLE: TRUCK TENDER
 SPREADER STYLE: REAR SIDE-FOLD REAR
 REAR OVER BOX

TARP COLOR(S) _____

REPLACEMENT TARPS

TYPE OF TARP BEING REPLACED *See Figure 1 for outer hole distance*

CABLE-LOK™ W/CHANNEL
 OTHER W/CHANNEL OTHER BRAND _____
 OTHER W/RIVETS No. Rivets _____ Outer Hole Distance _____

_____ FINISHED SEWN TARP LENGTH
 _____ FINISHED SEWN TARP WIDTH

TYPE OF CAP MEASURED *See Figure 2*

STAINLESS FACE MOUNT STAINLESS TOP MOUNT
 GALVANIZED FACE MOUNT GALVANIZED TOP MOUNT

CR _____ END CAP RISE
 CD _____ END CAP DEPTH Front _____ Rear _____
 _____ OUTSIDE END CAP TO END CAP LENGTH
 _____ BOX WIDTH
 _____ BOX LENGTH

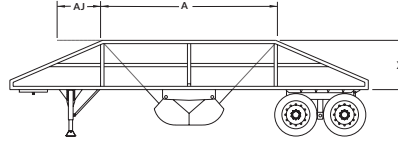
CABLE-LOK™ BOX DETAILS For Belly Dumps

CORRECT PHYSICAL MEASUREMENTS ARE ESSENTIAL FOR PROPER TARP FIT. PROVIDE ALL REQUESTED INFORMATION OR YOUR ORDER MAY BE DELAYED. **DO NOT** USE UNIVERSAL BOX SIZES. **ALWAYS** USE ACTUAL MEASUREMENTS. BOX SIZE AND FINISHED TARP SIZE ARE **NOT** THE SAME.

CONTACT INFORMATION

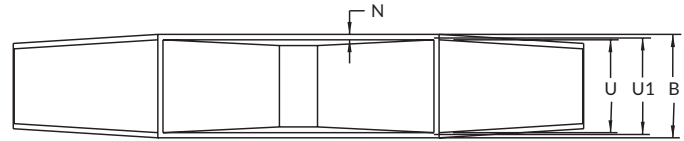
G11BD-0519

NAME _____
 ADDRESS _____
 EMAIL _____
 CITY _____ STATE _____ ZIP _____
 PHONE _____ FAX _____
 BOX/TRAILER MAKE _____



BOX DIMENSIONS FOR BELLY DUMPS

A _____ UPPER BOX LENGTH
 B _____ UPPER BOX WIDTH
 Front _____ Center _____ Rear _____
 N _____ TOP RAIL WIDTH
 U _____ INSIDE BOX WIDTH
 U1 _____ INSIDE PLANK-TO-PLANK WIDTH
 X _____ BOX HEIGHT



NOTE: If belly dump is rounded, Cable-Lok™ will NOT fit. Same goes for a box tapered at bottom for brackets for arms. In either case, MUST switch to Shur-Matic™ system instead. For questions, call 800.474.8756.

TARP RAIL STYLE *See Figure 1*

SQUARE SELF CLEANING SQUARE W/PLANKS*

*Are planks flush with outside of top rail? Y / N (Circle one)

TARP COLOR(S) _____

FIGURE 1

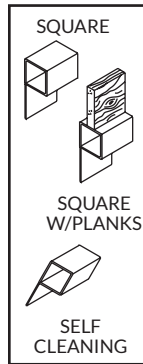


FIGURE 2

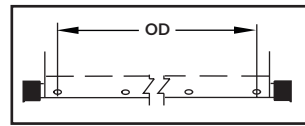
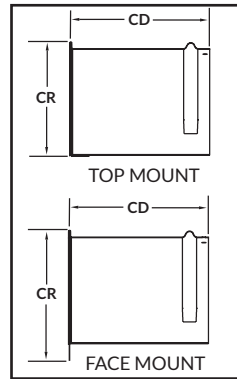


FIGURE 3



REPLACEMENT TARPS

TYPE OF TARP BEING REPLACED *See Figure 2 for outer hole distance*

CABLE-LOK™ W/CHANNEL
 OTHER W/CHANNEL OTHER BRAND _____
 OTHER W/RIVETS No. Rivets _____ Outer Hole Distance _____

_____ FINISHED SEWN TARP LENGTH

_____ FINISHED SEWN TARP WIDTH

TYPE OF CAP MEASURED *See Figure 3*

FACE MOUNT TOP MOUNT

CR _____ END CAP RISE
 CD _____ END CAP DEPTH Front _____ Rear _____

_____ OUTSIDE END CAP TO END CAP LENGTH

_____ BOX WIDTH

_____ BOX LENGTH

NOTES

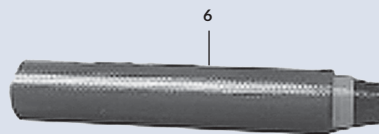
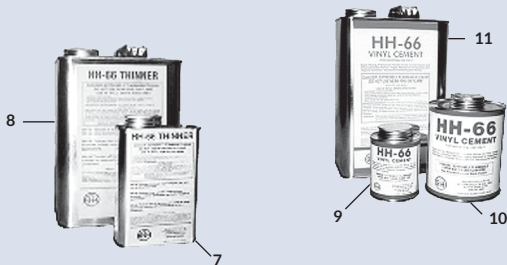
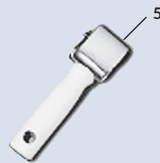
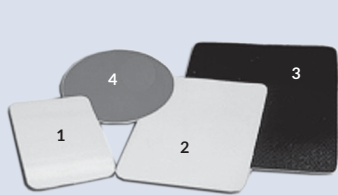
Check out our Genuine Shur-Co® replacement parts, professionally engineered in compliance with the most stringent safety standards. All have excelled in rigorous field testing and are proven to fit and function better.

Shur-Co's strict quality and tolerance guidelines promote dependable product interchangeability. For example, even if a Shur-Lok® system is 20 years old, new Shur-Lok® parts are guaranteed to fit. Please remember that utilizing non-Genuine parts voids your warranty.

NOTE: All components other than standard may require non-refundable engineering/manufacturing fees. Call for details.

TARP REPAIR SUPPLIES

ITEM	PART #	DESCRIPTION
	1108059	Professional Tarp Repair Kit*
	1102111	Standard Tarp Repair Kit*
	1703251	Handi Grommet Kit w/Grommets
1	1111869	2" x 3" Patch w/Radius Corners
2	1111870	3" x 4" Patch w/Radius Corners
3	1111871	4" x 5" Patch w/Radius Corners
4	1111872	3" Round Patch
5	1701391	Wooden Roller
6	1128714	Vinyl Tarp Remnant - Black
	1107371	Vinyl Tarp Remnant (specify color)
7	1700697	HH-66 Thinner - Pint
8	1700602	HH-66 Thinner - Gallon
9	1700356	HH-66 Vinyl Cement - 8 Oz.
10	1700355	HH-66 Vinyl Cement - Quart
11	1700354	HH-66 Vinyl Cement - Gallon
12	1700673	#3 Brass Grommet (minimum order 25)
	1706352	Vinyl Repair Tape - 6" x 50' (not shown)
	1128814	Tarp Repair Kit w/Vinyl Tape - 6" x 10' (not shown)



PROFESSIONAL KIT
INCLUDES SCISSORS,
10 SQ. FT. REPAIR FABRIC, ROLLER,
HEAT GUN/NOZZLE
AND INSTRUCTIONS



STANDARD KIT
INCLUDES 1 PT. THINNER,
1 QT. CEMENT, INSTRUCTIONS
AND 10 SQ. FT. REPAIR FABRIC



GROMMET KIT
INCLUDES CUTTER,
HANDLE, BASE,
GROMMETS
AND WASHERS



Tarp Repair Video

Shur-Co® has created a number of how-to videos, with QR codes to take you right to them. The one pictured here links to step-by-step instructions on tarp repair.

Download any QR scanner app to your Smartphone. Open the app, then hover your phone over your chosen QR code.

REPLACEMENT PARTS INDEX

TARP REPAIR SUPPLIES.....22

CABLE-LOK™

Bow Covers.....23

Bows.....23-26

Crank Arms.....27-28

Crank Retainers.....29

Electrics.....30-32

End Caps.....33-36

Ratchet/Cable Assemblies.....37

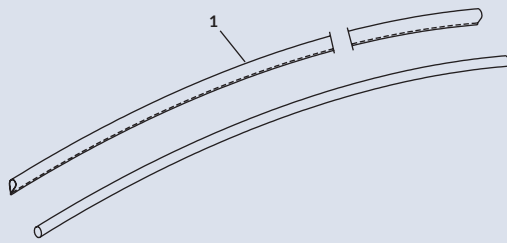
Ridge Straps.....38

Tarp Spool Assemblies.....38

Tarp Stops.....39

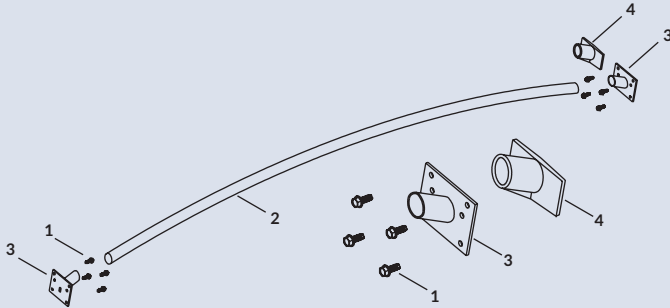
Tarp Tubes.....39

CROSS-REFERENCE CHART.....40-41



BOW COVERS

ITEM	PART #	DESCRIPTION
1	1111335	Bow Sock

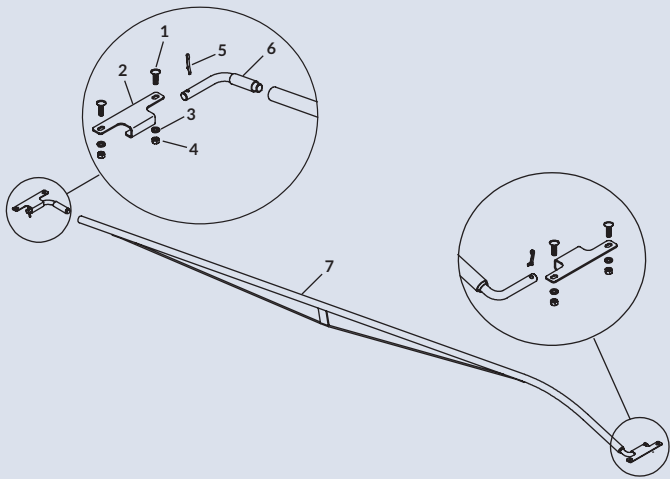


BOWS – DURABOW™

ITEM	PART #	DESCRIPTION
	1123544	Durabow™ Bow Kit - 97" - Steel Bracket [Includes 2; 2 of 3; 8 of 1]
	1123541	Durabow™ Bow Kit - 102" - Steel Bracket [Includes 2; 2 of 3; 8 of 1]
	1123545	Durabow™ Bow Kit - 97" - Aluminum Bracket [Includes 2; 2 of 4; 8 of 1]
	1123542	Durabow™ Bow Kit - 102" - Aluminum Bracket [Includes 2; 2 of 4; 8 of 1]
	1110653	Bow Mounting Hardware Kit - Steel [Includes 2 of 3; 8 of 1]
	1124624	Bow Mounting Hardware Kit - Aluminum [Includes 2 of 4; 8 of 1]
	1115971	Bow Mounting Fasteners - Durabow™ [Includes 8 of 1]
1	1700400	Self-Tapping Screw - Non Corrosive Coating - 3/8" x 1"
2	1705128	Durabow™ - 97"
	1705129	Durabow™ - 102"
	1702857	Replacement Flexbow®*
3	1122932	Durabow™ Bracket - Steel*
4	1705324	Durabow™ Bracket - Aluminum

NOTE: Durabows are NOT recommended for low-rise applications.

*Durabow™ steel brackets are a fit-all bracket for both Flexbow® and Durabow™. Original steel Flexbow® brackets are zinc plated; steel Durabow™ brackets are yellow plated. Durabows will NOT slide into original Flexbow® steel brackets. When ordering P/N 1702857 replacement Flexbow®, please order P/N 1123544 or P/N 1123541 Durabow™ bow kits, which include Durabow™ steel brackets.



BOWS – FLAT X-WIDE

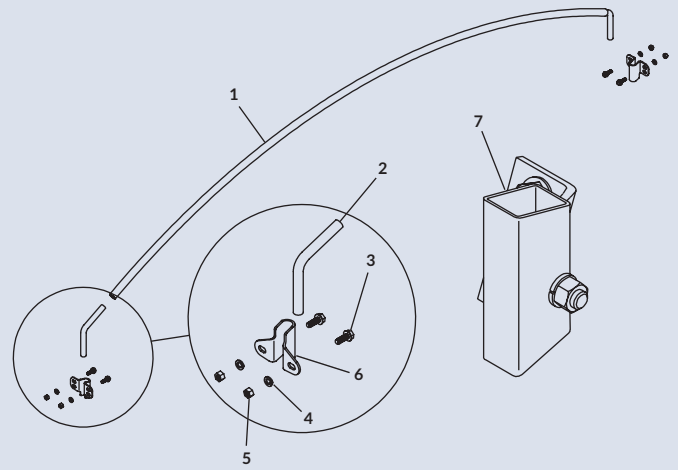
ITEM	PART #	DESCRIPTION
	1120308	X-Wide Bow Kit* - Flat - 113" to 122" [Includes 6; 7; 2 of 2 & 5; 4 of 1, 3 & 4]
	1120309	X-Wide Bow Kit* - Flat - 123" to 132" [Includes 6; 7; 2 of 2 & 5; 4 of 1, 3 & 4]
	1120310	X-Wide Bow Kit* - Flat - 133" to 142" [Includes 6; 7; 2 of 2 & 5; 4 of 1, 3 & 4]
	1120311	X-Wide Bow Kit* - Flat - 143" to 152" [Includes 6; 7; 2 of 2 & 5; 4 of 1, 3 & 4]
	1120312	X-Wide Bow Kit* - Flat - 153" to 162" [Includes 6; 7; 2 of 2 & 5; 4 of 1, 3 & 4]
	1120362	Bow Mounting Fasteners Kit - X-Wide Flat [Includes 2 of 5; 4 of 1, 3 & 4]
1	1703964	Truss Head Machine Screw - 3/8" x 1-1/4"
2	1117665	Horizontal Bow Bracket
3	1700434	Lock Washer - 3/8"
4	1700407	Nut - 3/8"
5	1701577	Humpback Cotter Pin - 3/16" x 1-1/4"
6	1117683	X-Wide Bow Shank - Flat
7	1120303	X-Wide Bow* - Flat - 113" to 122"
	1120304	X-Wide Bow* - Flat - 123" to 132"
	1120305	X-Wide Bow* - Flat - 133" to 142"
	1120306	X-Wide Bow* - Flat - 143" to 152"
	1120307	X-Wide Bow* - Flat - 153" to 162"

*Measurement on bows denotes inside cart width. Bows have 6" tapered rise to ensure tight tarp tension across flat cap.

NOTE: All components other than standard may require a non-refundable engineering fee of \$75 and manufacturing fee of \$25. Call for details.

BOWS – GALVANIZED STEEL

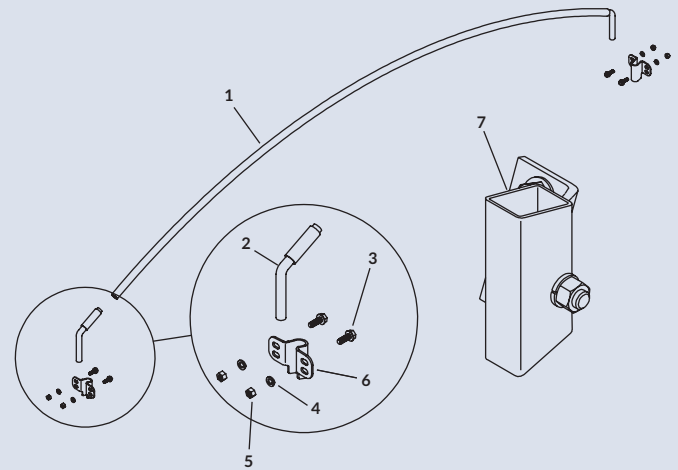
ITEM	PART #	DESCRIPTION
	1117916	Galvanized Bow Kit* - 8" Rise - 85" to 92" [Includes 1; 2; 2 of 6; 4 of 3, 4 & 5]
	1100766	Galvanized Bow Kit* - 8" Rise - 93" to 102" [Includes 1; 2; 2 of 6; 4 of 3, 4 & 5]
	1117917	Galvanized Bow Kit* - 12" Rise - 89" to 95" [Includes 1; 2; 2 of 6; 4 of 3, 4 & 5]
	1100768	Galvanized Bow Kit* - 12" Rise - 96" to 102" [Includes 1; 2; 2 of 6; 4 of 3, 4 & 5]
	1107711	Galvanized Bow Mounting Fasteners Kit [Includes 4 of 3, 4 & 5]
1	1116120	Galvanized Bow* - 8" Rise - 85" to 92"
	1100760	Galvanized Bow* - 8" Rise - 93" to 102"
	1117905	Galvanized Bow* - 12" Rise - 89" to 95"
	1100762	Galvanized Bow* - 12" Rise - 96" to 102"
2	1100695	Galvanized Bow* Shank - 8" Rise
	1106925	Galvanized Bow* Shank - 12" Rise
3	1700400	Self-Tapping Screw - Non Corrosive Coating - 3/8" x 1"
4	1700434	Lock Washer - 3/8"
5	1700407	Nut - 3/8"
6	1120836	Single Bow Bracket
7	1117946	Adjustable Bow Bracket



*Bow rise is typically 2" greater than rise of cap. Other rises available.

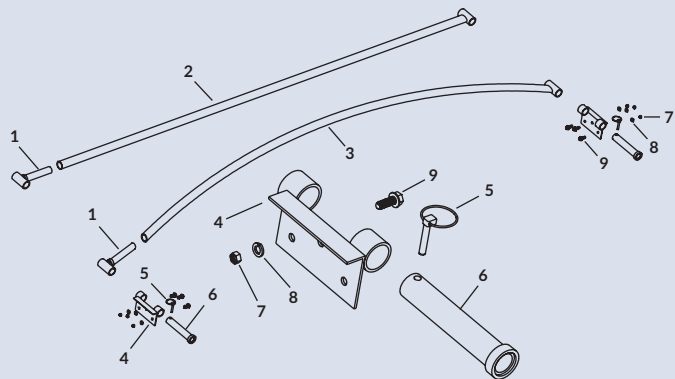
BOWS – GALVANIZED STEEL X-WIDE - 1 PC.

ITEM	PART #	DESCRIPTION
	1119465	X-Wide Bow Kit* - 12" Rise - 99" to 104" [Includes 1; 2; 2 of 6; 4 of 3, 4 & 5]
	1119466	X-Wide Bow Kit* - 12" Rise - 104-1/2" to 109-1/2" [Includes 1; 2; 2 of 6; 4 of 3, 4 & 5]
	1119464	X-Wide Bow Kit* - 12" Rise - 109" [Includes 1; 2; 2 of 6; 4 of 3, 4 & 5]
	1119467	X-Wide Bow Kit* - 12" Rise - 110" to 115" [Includes 1; 2; 2 of 6; 4 of 3, 4 & 5]
	1119468	X-Wide Bow Kit* - 12" Rise - 115-1/2" to 121" [Includes 1; 2; 2 of 6; 4 of 3, 4 & 5]
	1119469	X-Wide Bow Kit* - 12" Rise - 121-1/2" to 127" [Includes 1; 2; 2 of 6; 4 of 3, 4 & 5]
	1119470	X-Wide Bow Kit* - 12" Rise - 127-1/2" to 134" [Includes 1; 2; 2 of 6; 4 of 3, 4 & 5]
	1119471	X-Wide Bow Kit* - 12" Rise - 134-1/2" to 141" [Includes 1; 2; 2 of 6; 4 of 3, 4 & 5]
	1107711	Galvanized Bow Mounting Fasteners Kit [Includes 4 of 3, 4 & 5]
1	1119227	Galvanized Bow* - 12" Rise - 99" to 104"
	1119220	Galvanized Bow* - 12" Rise - 104-1/2" to 109-1/2"
	1118724	Galvanized Bow* - 12" Rise - 109"
	1119219	Galvanized Bow* - 12" Rise - 110" to 115"
	1119218	Galvanized Bow* - 12" Rise - 115-1/2" to 121"
	1119217	Galvanized Bow* - 12" Rise - 121-1/2" to 127"
	1119216	Galvanized Bow* - 12" Rise - 127-1/2" to 134"
	1119215	Galvanized Bow* - 12" Rise - 134-1/2" to 141"
2	1119233	X-Wide Bow Shank* - 12" Rise - 99" to 109-1/2"
	1119232	X-Wide Bow Shank* - 12" Rise - 110" to 127"
	1119231	X-Wide Bow Shank* - 12" Rise - 127-1/2" to 141"
3	1700400	Self-Tapping Screw - Non Corrosive Coating - 3/8" x 1"
4	1700434	Lock Washer - 3/8"
5	1700407	Nut - 3/8"
6	1120836	Single Bow Bracket
7	1117946	Adjustable Bow Bracket



*Bow rise is typically 2" greater than rise of cap. Other rises available.

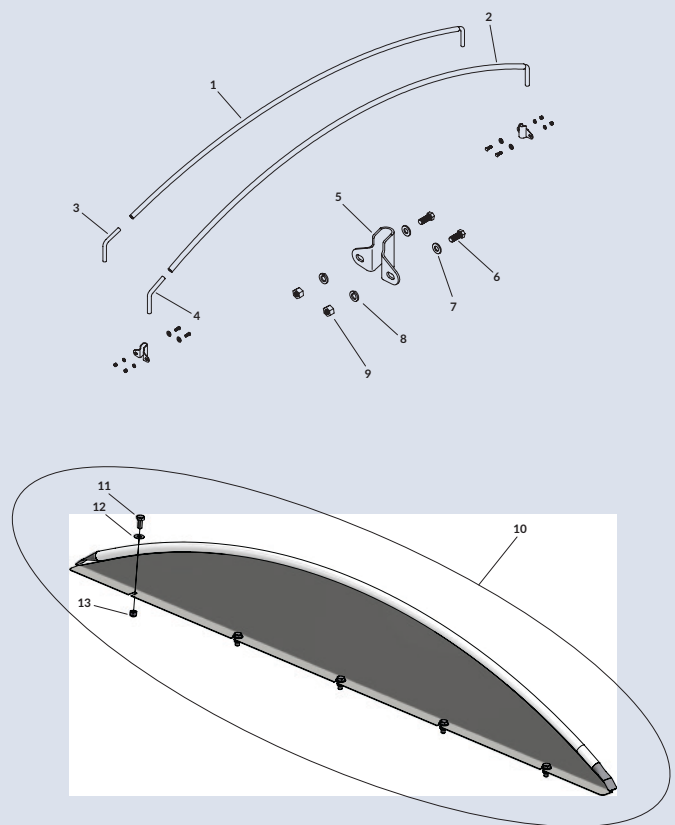
NOTE: All components other than standard may require a non-refundable engineering fee of \$75 and manufacturing fee of \$25. Call for details.



BOWS – HEAVY DUTY

ITEM	PART #	DESCRIPTION
	1112667	Heavy-Duty Bow Kit - Flat [Includes 1; 2; 2 of 4, 5 & 6; 6 of 7, 8 & 9]
	1106615	Heavy-Duty Bow Kit - 8" Rise* [Includes 1; 3; 2 of 4, 5 & 6; 6 of 7, 8 & 9]
	1102697	Heavy-Duty Bow Kit - 12" Rise* [Includes 1; 3; 2 of 4, 5 & 6; 6 of 7, 8 & 9]
	1107245	Bow Mounting Hardware - Heavy Duty [Includes 1; 2 of 4, 5 & 6; 6 of 7, 8 & 9]
	1107244	Bow Mounting Fasteners - Heavy Duty [Includes 2 of 5; 6 of 7, 8 & 9]
1	1104706	Heavy-Duty Bow Shank
2	1112669	Heavy-Duty Bow - Flat
3	1106612	Heavy-Duty Bow - 8" Rise*
	1101927	Heavy-Duty Bow - 12" Rise*
4	1106614	Heavy-Duty Bow Bracket
5	1701098	Lynch Pin - 5/16" x 1-3/4"
6	1104123	Heavy-Duty Bow Pin
7	1700407	Hex Nut - 3/8"
8	1700434	Lock Washer - 3/8"
9	1700400	Self-Tapping Screw - Non Corrosive Coating - 3/8" x 1"

*Bow rise is typically 2" greater than rise of cap. Other rises available.



BOWS – STAINLESS STEEL STANDARD

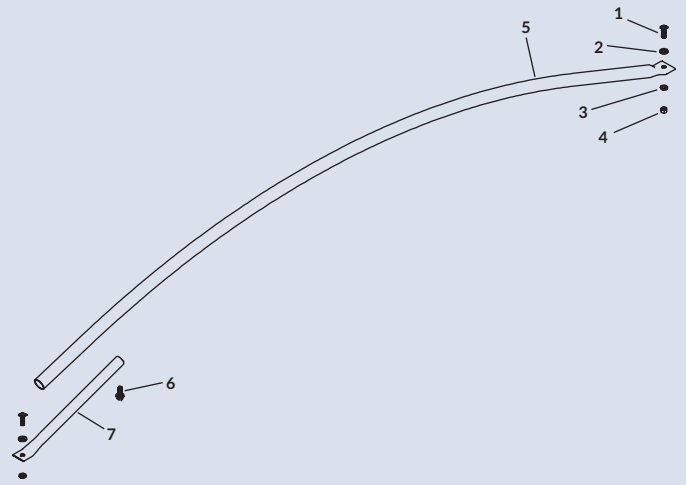
ITEM	PART #	DESCRIPTION
	1120351	Stainless Bow Kit - 8" Rise* - 78" to 84" [Includes 1; 3; 2 of 5; 4 of 6, 7, 8 & 9]
	1120352	Stainless Bow Kit - 8" Rise* - 85" to 92" [Includes 1; 3; 2 of 5; 4 of 6, 7, 8 & 9]
	1120353	Stainless Bow Kit - 8" Rise* - 93" to 102" [Includes 1; 3; 2 of 5; 4 of 6, 7, 8 & 9]
	1120354	Stainless Bow Kit - 12" Rise* - 82" to 88" [Includes 2; 4; 2 of 5; 4 of 10, 11 & 12]
	1120355	Stainless Bow Kit - 12" Rise* - 89" to 95" [Includes 2; 4; 2 of 5; 4 of 6, 7, 8 & 9]
	1120356	Stainless Bow Kit - 12" Rise* - 96" to 102" [Includes 2; 4; 2 of 5; 4 of 6, 7, 8 & 9]
	1116275	Stainless Bow Mounting Fasteners (4)
	1129163	Bow Divider Kit DN456 [Includes 10; 5 of 11, 12 & 13]
1	1129521	Bow Divider Kit DN495 [Includes 10; 5 of 11, 12 & 13]
	1128156	Bow Divider Kit DN485 [Includes 10; 5 of 11, 12 & 13]
1	1120286	Stainless Bow - 8" Rise* - 78" to 84"
	1120287	Stainless Bow - 8" Rise* - 85" to 92"
	1119765	Stainless Bow - 8" Rise* - 93" to 102"
2	1120288	Stainless Bow - 12" Rise* - 82" to 88"
	1120289	Stainless Bow - 12" Rise* - 89" to 95"
	1120290	Stainless Bow - 12" Rise* - 96" to 102"
3	1119766	Stainless Bow Shank - 8" Rise*
4	1116754	Stainless Bow Shank - 12" Rise*
5	1120975	Stainless Single Bow Bracket
6	1703579	Stainless Hex Head Cap Screw - 3/8" x 1"
7	1703577	Stainless Flat Washer - 3/8"
8	1703576	Stainless Lock Washer - 3/8"
9	1200999	Stainless Hex Nut - 3/8"
10		Bow Divider Panel DN456 Bow Divider Panel DN495 Bow Divider Panel DN485
11	1703619	Stainless Hex Head Cap Screw - 1/2" x 1-1/4"
12	1703620	Stainless Flat Washer - 1/2"
13	1706088	Stainless Nylon Lock Nut - 1/2"

*Bow rise is typically 2" greater than rise of cap. Other rises available.

NOTE: All components other than standard may require a non-refundable engineering fee of \$75 and manufacturing fee of \$25. Call for details.

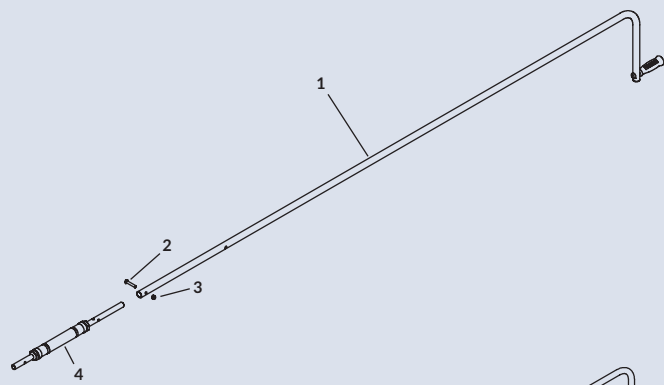
BOWS – STAINLESS STEEL TOP MOUNT.

ITEM	PART #	DESCRIPTION
	1119414	Stainless Bow Kit* - 8" Rise - 84" to 87-1/2" [Includes 5; 6; 7; 2 of 1, 2, 3 & 4]
	1119415	Stainless Bow Kit* - 8" Rise - 88" to 91-1/2" [Includes 5; 6; 7; 2 of 1, 2, 3 & 4]
	1119416	Stainless Bow Kit* - 8" Rise - 92" to 95-1/2" [Includes 5; 6; 7; 2 of 1, 2, 3 & 4]
	1119417	Stainless Bow Kit* - 8" Rise - 96" to 99-1/2" [Includes 5; 6; 7; 2 of 1, 2, 3 & 4]
	1119418	Stainless Bow Kit* - 8" Rise - 100" to 103-1/2" [Includes 5; 6; 7; 2 of 1, 2, 3 & 4]
	1119419	Stainless Bow Kit* - 8" Rise - 104" to 107-1/2" [Includes 5; 6; 7; 2 of 1, 2, 3 & 4]
	1119420	Stainless Bow Kit* - 8" Rise - 108" to 111-1/2" [Includes 5; 6; 7; 2 of 1, 2, 3 & 4]
	1119421	Stainless Bow Kit* - 8" Rise - 112" to 115-1/2" [Includes 5; 6; 7; 2 of 1, 2, 3 & 4]
	1119422	Stainless Bow Kit* - 8" Rise - 120" to 123-1/2" [Includes 5; 6; 7; 2 of 1, 2, 3 & 4]
	1119405	Stainless Bow Kit* - 12" Rise - 84" to 87-1/2" [Includes 5; 6; 7; 2 of 1, 2, 3 & 4]
	1119406	Stainless Bow Kit* - 12" Rise - 88" to 91-1/2" [Includes 5; 6; 7; 2 of 1, 2, 3 & 4]
	1119407	Stainless Bow Kit* - 12" Rise - 92" to 95-1/2" [Includes 5; 6; 7; 2 of 1, 2, 3 & 4]
	1119408	Stainless Bow Kit* - 12" Rise - 96" to 99-1/2" [Includes 5; 6; 7; 2 of 1, 2, 3 & 4]
	1119409	Stainless Bow Kit* - 12" Rise - 100" to 103-1/2" [Includes 5; 6; 7; 2 of 1, 2, 3 & 4]
	1119410	Stainless Bow Kit* - 12" Rise - 104" to 107-1/2" [Includes 5; 6; 7; 2 of 1, 2, 3 & 4]
	1119411	Stainless Bow Kit* - 12" Rise - 108" to 111-1/2" [Includes 5; 6; 7; 2 of 1, 2, 3 & 4]
	1119412	Stainless Bow Kit* - 12" Rise - 112" to 115-1/2" [Includes 5; 6; 7; 2 of 1, 2, 3 & 4]
	1119413	Stainless Bow Kit* - 12" Rise - 120" to 123-1/2" [Includes 5; 6; 7; 2 of 1, 2, 3 & 4]
	1118626	Stainless Bow Mounting Fasteners Kit - Top Mount [Includes 6; 2 of 1, 2, 3 & 4]
1	1704442	Stainless Flange Screw - 3/8" x 1"
2	1703577	Stainless Flat Washer - 3/8"
3	1703576	Stainless Lock Washer - 3/8"
4	1200999	Stainless Hex Nut - 3/8"
5	1119184	Stainless Bow* - 8" Rise - 84" to 87-1/2"
	1119248	Stainless Bow* - 8" Rise - 88" to 91-1/2"
	1119250	Stainless Bow* - 8" Rise - 92" to 95-1/2"
	1119182	Stainless Bow* - 8" Rise - 96" to 99-1/2"
	1119246	Stainless Bow* - 8" Rise - 100" to 103-1/2"
	1119190	Stainless Bow* - 8" Rise - 104" to 107-1/2"
	1119192	Stainless Bow* - 8" Rise - 108" to 111-1/2"
	1119194	Stainless Bow* - 8" Rise - 112" to 115-1/2"
	1119196	Stainless Bow* - 8" Rise - 120" to 123-1/2"
	1119185	Stainless Bow* - 12" Rise - 84" to 87-1/2"
	1119249	Stainless Bow* - 12" Rise - 88" to 91-1/2"
	1119251	Stainless Bow* - 12" Rise - 92" to 95-1/2"
	1119183	Stainless Bow* - 12" Rise - 96" to 99-1/2"
	1119247	Stainless Bow* - 12" Rise - 100" to 103-1/2"
	1119191	Stainless Bow* - 12" Rise - 104" to 107-1/2"
	1119193	Stainless Bow* - 12" Rise - 108" to 111-1/2"
	1119195	Stainless Bow* - 12" Rise - 112" to 115-1/2"
	1119197	Stainless Bow* - 12" Rise - 120" to 123-1/2"
6	1700400	Self-Tapping Screw - Non Corrosive Coating - 3/8" x 1"
7	1118624	Stainless Bow Extension



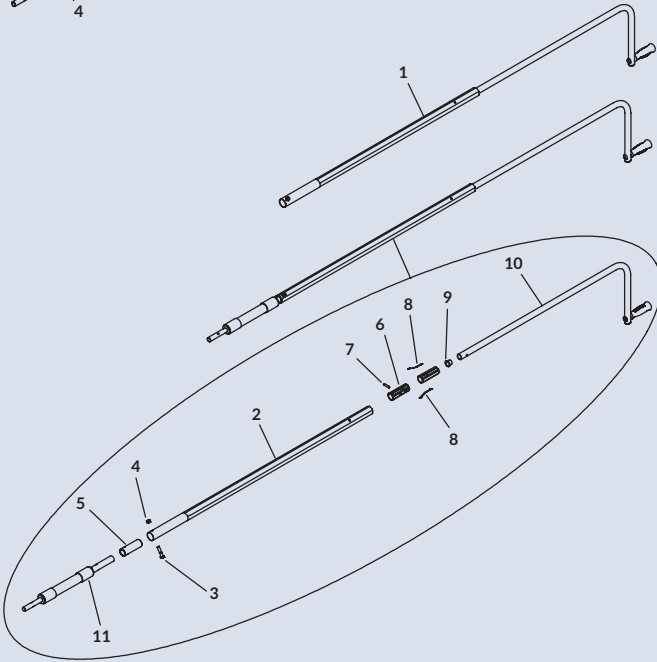
*Bow rise is typically 2" greater than rise of cap. Other rises available.

NOTE: All components other than standard may require a non-refundable engineering fee of \$75 and manufacturing fee of \$25. Call for details.



CRANK ARMS – GALVANIZED STEEL/STAINLESS STANDARD

ITEM	PART #	DESCRIPTION
	1123773	Galvanized Crank Kit - 1 Pc. [Includes 1; 2; 3; 4]
	1122868	Stainless Crank Kit - 1 Pc. [Includes 1; 2; 3; 4]
1	1123954	Galvanized Crank Arm - 1 Pc.
	1122011	Stainless Crank Arm - 1 Pc.
2	1700369	Hex Head Cap Screw - 3/8" x 1-3/4"
	1704334	Stainless Hex Head Cap Screw - 5/16" x 1-3/4"
3	1700418	Centerlock Hex Nut - 3/8"
	1704431	Stainless Nylon Lock Nut - 5/16"
4	1122010	Flex Arm Joint Assembly - 12"

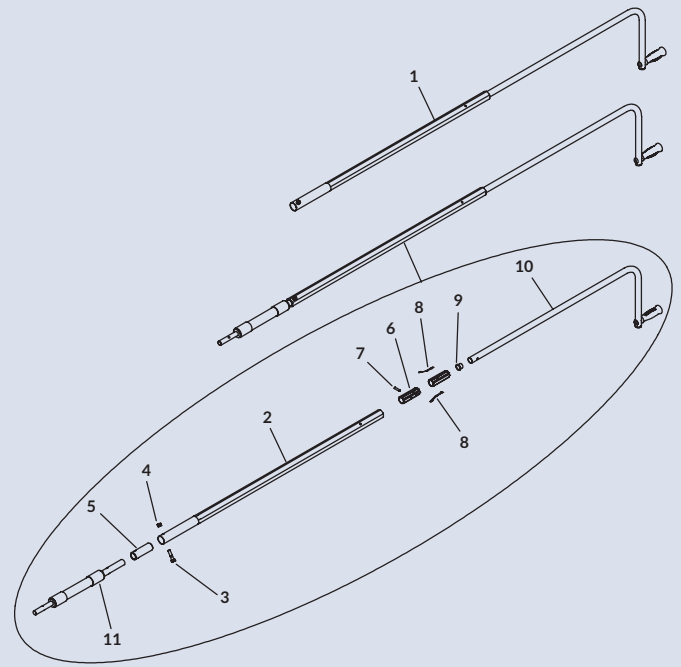


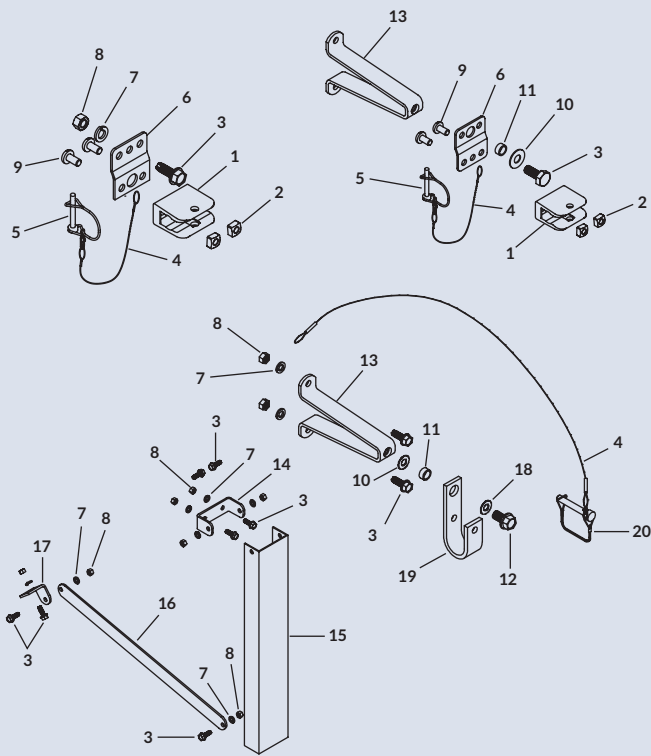
CRANK ARMS – GALVANIZED TELESCOPING/INDEXING

ITEM	PART #	DESCRIPTION
	1123809	Galvanized Telescoping/Indexing Crank w/Flex Joint - Extends 4'9" to 7'10" [Includes 1; 11]
	1123813	Galvanized Telescoping/Indexing Crank w/Flex Joint - Extends 6'1" to 9'4" [Includes 1; 11]
	1123817	Galvanized Telescoping/Indexing Crank w/Flex Joint - Extends 8'3" to 11'6" [Includes 1; 11]
	1123821	Galvanized Telescoping/Indexing Crank w/Flex Joint - Extends 9'7" to 12'10" [Includes 1; 11]
	1123825	Galvanized Telescoping/Indexing Crank w/Flex Joint - Extends 14'3" to 17' [Includes 1; 11]
	1124836	Galvanized Crank Arm w/Bearings - 48" [Includes 7; 8; 10; 2 of 6]
	1124838	Galvanized Crank Arm w/Bearings - 64" [Includes 7; 8; 10; 2 of 6]
	1124840	Galvanized Crank Arm w/Bearings - 90" [Includes 7; 8; 10; 2 of 6]
	1124842	Galvanized Crank Arm w/Bearings - 106" [Includes 7; 8; 10; 2 of 6]
	1124844	Galvanized Crank Arm w/Bearings - 147" [Includes 7; 8; 10; 2 of 6]
1	1123810	Galvanized Telescoping/Indexing Crank - Extends 4'9" to 7'10" [Includes 2; 3; 4; 5; 7; 8; 9; 10; 2 of 6]
	1123814	Galvanized Telescoping/Indexing Crank - Extends 6'1" to 9'4" [Includes 2; 3; 4; 5; 7; 8; 9; 10; 2 of 6]
	1123818	Galvanized Telescoping/Indexing Crank - Extends 8'3" to 11'6" [Includes 2; 3; 4; 5; 7; 8; 9; 10; 2 of 6]
	1123822	Galvanized Telescoping/Indexing Crank - Extends 9'7" to 12'10" [Includes 2; 3; 4; 5; 7; 8; 9; 10; 2 of 6]
	1123826	Galvanized Telescoping/Indexing Crank - Extends 14'3" to 17' [Includes 2; 3; 4; 5; 7; 8; 9; 10; 2 of 6]
2	1123829	Galvanized Hex Arm - 49"
	1123830	Galvanized Hex Arm - 51"
	1123831	Galvanized Hex Arm - 60"
3	1700369	Hex Head Cap Screw - 3/8" x 1-3/4"
4	1700418	Centerlock Hex Nut - 3/8"
5	1123856	Crank Arm Flex Holder
6	1705197	Crank Arm Bearing
7	1701118	Spring Pin - 1/4" x 1-3/16"
8	1123897	Spring Clip (2)
9	1701357	Crank Arm End Plug
10	1123835	Galvanized Crank Arm - 48"
	1123839	Galvanized Crank Arm - 64"
	1123843	Galvanized Crank Arm - 90"
	1123847	Galvanized Crank Arm - 106"
	1123851	Galvanized Crank Arm - 204"
11	1118722	Flex Arm Joint Assembly - 12"

CRANK ARMS – STAINLESS TELESCOPING/INDEXING

ITEM	PART #	DESCRIPTION
	1123811	Stainless Telescoping/Indexing Crank w/Flex Joint - Extends 4'9" to 7'10" [Includes 1; 11]
	1123815	Stainless Telescoping/Indexing Crank w/Flex Joint - Extends 6'1" to 9'4" [Includes 1; 11]
	1123819	Stainless Telescoping/Indexing Crank w/Flex Joint - Extends 8'3" to 11'6" [Includes 1; 11]
	1123823	Stainless Telescoping/Indexing Crank w/Flex Joint - Extends 9'7" to 12'10" [Includes 1; 11]
	1124837	Stainless Crank Arm w/Bearings - 48" [Includes 7; 8; 10; 2 of 6]
	1124839	Stainless Crank Arm w/Bearings - 64" [Includes 7; 8; 10; 2 of 6]
	1124841	Stainless Crank Arm w/Bearings - 90" [Includes 7; 8; 10; 2 of 6]
	1124843	Stainless Crank Arm w/Bearings - 106" [Includes 7; 8; 10; 2 of 6]
1	1123812	Stainless Telescoping/Indexing Crank - Extends 4'9" to 7'10" [Includes 2; 3; 4; 5; 7; 8; 9; 10; 2 of 6]
	1123816	Stainless Telescoping/Indexing Crank - Extends 6'1" to 9'4" [Includes 2; 3; 4; 5; 7; 8; 9; 10; 2 of 6]
	1123820	Stainless Telescoping/Indexing Crank - Extends 8'3" to 11'6" [Includes 2; 3; 4; 5; 7; 8; 9; 10; 2 of 6]
	1123824	Stainless Telescoping/Indexing Crank - Extends 8'3" to 12'10" [Includes 2; 3; 4; 5; 7; 8; 9; 10; 2 of 6]
2	1123832	Stainless Hex Arm - 49"
	1123833	Stainless Hex Arm - 51"
3	1703622	Stainless Hex Head Cap Screw - 3/8" x 1-3/4"
4	1705325	Stainless Center Lock Hex Nut - 3/8"
5	1123856	Crank Arm Flex Holder
6	1705197	Crank Arm Bearing
7	1701118	Spring Pin - 1/4" x 1-3/16"
8	1123898	Stainless Spring Clip (2)
9	1701357	Crank Arm End Plug
10	1123837	Stainless Crank Arm - 48"
	1123841	Stainless Crank Arm - 64"
	1123845	Stainless Crank Arm - 90"
	1123849	Stainless Crank Arm - 106"
11	1118722	Flex Arm Joint Assembly - 12"





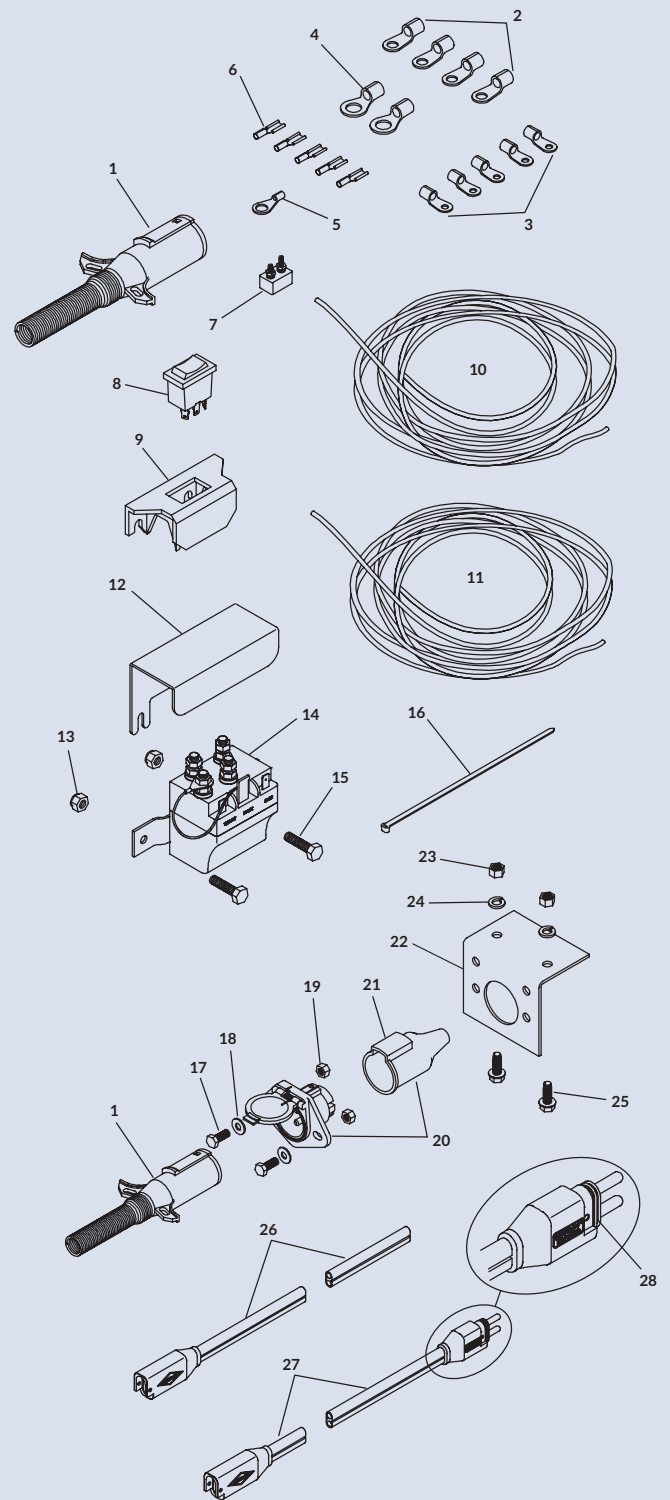
CRANK RETAINERS

ITEM	PART #	DESCRIPTION
	1123756	Telescoping Crank Retainer Kit [Includes 1; 3; 4; 5; 6; 7; 8; 2 of 2 & 9]
	1123757	Telescoping Crank Retainer Kit w/3" Standoff [Includes 1; 4; 5; 6; 11; 12; 13; 2 of 2, 3, 7, 8 & 9]
	1123758	Telescoping Crank Retainer Kit w/7" Standoff [Includes 1; 4; 5; 6; 11; 12; 13; 2 of 2, 3, 7, 8 & 9]
	1123759	Telescoping Crank Retainer Kit w/11" Standoff [Includes 1; 4; 5; 6; 11; 12; 13; 2 of 2, 3, 7, 8 & 9]
	1123905	Stainless Telescoping Crank Retainer Kit [Includes 1; 3; 4; 5; 6; 7; 8; 10; 2 of 2 & 9]
	1123906	Stainless Telescoping Retainer Kit w/7" Standoff [Includes 1; 3; 4; 5; 6; 7; 8; 10; 11; 12; 13; 18; 2 of 2 & 9]
	1123907	Stainless Telescoping Retainer Kit w/11" Standoff [Includes 1; 3; 4; 5; 6; 7; 8; 10; 11; 12; 13; 18; 2 of 2 & 9]
	1100386	Crank Retainer Kit w/7" Standoff [Includes 4; 11; 12; 13; 14; 19; 20; 2 of 3, 7 & 8]
	1120633	Crank Retainer Kit w/11" Standoff [Includes 4; 11; 12; 13; 14; 19; 20; 2 of 3, 7 & 8]
	1119334	Stainless Crank Retainer Kit w/7" Standoff [Includes 4; 11; 12; 13; 14; 18; 19; 20; 2 of 3, 7 & 8]
	1116553	Universal Crank Retainer Support Kit* - 24" [Includes 14; 15; 16; 17; 7 of 3, 7 & 8]
	1120190	Universal Crank Retainer Support Kit* - 33" [Includes 15; 2 of 14 & 16; 10 of 3, 7 & 8]
	1117438	Universal Crank Retainer Support Kit* - 42" [Includes 15; 2 of 14 & 16; 10 of 3, 7 & 8]
1	1705259	Nylon Crank Holder
2	1705261	Square Nut - 3/8"
	1705299	Stainless Square Nut - 3/8"
3	1700400	Self-Tapping Screw - Non Corrosive Coating - 3/8" x 1"
	1703579	Stainless Hex Head Cap Screw - 3/8" x 1"
4	1100574	Cable w/#5 Interlock Snap
5	1705262	Wire Lock Pin - 1/4" Dia. x 2" Round
6	1123974	Offset Retainer Bracket
	1123755	Stainless Offset Retainer Bracket
7	1700434	Lock Washer - 3/8"
	1703576	Stainless Lock Washer - 3/8"
8	1700407	Hex Nut - 3/8"
	1200999	Stainless Hex Nut - 3/8"
9	1705260	Pan Head Cap Screw - 3/8" x 3/4"
	1705300	Stainless Pan Head Cap Screw - 3/8" x 3/4"
10	1703577	Stainless Flat Washer - 3/8"
11	1100306	Retainer Bushing - 11/16"
12	1702996	Flange Cap Screw - 1/2" x 1-1/4"
	1703619	Stainless Hex Head Cap Screw - 1/2" x 1-1/4"
13	1107080	Crank Retainer Standoff - 3"
	1100033	Crank Retainer Standoff - 7"
	1115511	Stainless Crank Retainer Standoff - 7"
	1109478	Crank Retainer Standoff - 11"
	1115513	Stainless Crank Retainer Standoff - 11"
14	1116554	Crank Support Base Plate
15	1116555	Crank Support Bracket - 24"
	1120191	Crank Support Bracket - 33"
	1117437	Crank Support Bracket - 42"
16	1116557	Swivel Support Brace
17	1116556	Base Plate Swivel
18	1703620	Stainless Flat Washer - 1/2"
19	1100040	J-Hook Crank Retainer
	1118927	Stainless J-Hook Crank Retainer
20	1700526	Wire Lock Pin - 3/8" x 2-1/2"

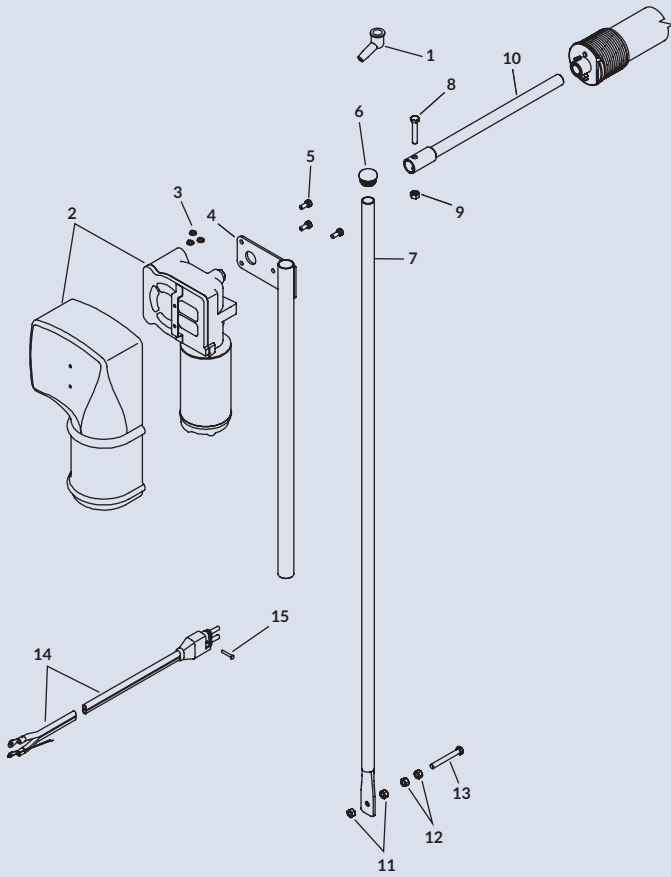
*For use on some grain carts. Universal crank retainer support kit does NOT include crank retainer assembly.

ELECTRICS – CAB WIRING KITS/DUAL CONDUCTOR KITS

ITEM	PART #	DESCRIPTION
WIRELESS OPTION		
1116928		Cab Wiring Kit - 40 Amp - Wireless - 20' [Includes 1; 7; 10; 2 of 2 & 4; 15 of 16]
1120823		Tractor Wiring Kit - 40 Amp - Wireless - 30' [Includes 7; 10; 20; 22; 2 of 2, 4, 17, 18, 19, 23, 24 & 25; 15 of 16]
ROCKER SWITCH OPTION		
1116473		Cab Wiring Kit - 40 Amp - Rocker Switch - 20' [Includes 1; 5; 7; 8; 9; 10; 11; 12; 14; 2 of 4, 13 & 15; 4 of 2; 5 of 6; 6 of 3; 15 of 16]
1118368		Electrical Part Kit w/Rocker Switch - 40 Amp Modified [Includes 5; 7; 8; 9; 12; 14; 2 of 4, 13 & 15; 4 of 2; 5 of 6; 6 of 3]
ELECTRICAL COMPONENTS		
1120855		Breaker Hardware [Includes 7; 2 of 2 & 4; 15 of 16]
1	1115385	Heavy-Duty Dual-Conductor Plug - Vertical Pin
2	1703245	Ring Terminal - 6 Ga. x #10 Stud - Motor/Breaker
3	1702707	Ring Terminal - 6 Ga. x 1/4" Stud - Motor/Solenoid
4	1703244	Ring Terminal - 6 Ga. x 3/8" Stud - Battery
5	1704153	Ring Terminal - 14 Ga. x 1/4" Stud - Solenoid
6	1703659	Push-On Terminal - 14 Ga. x 1/4" Switch/Solenoid
7	1704354	40-Amp Modified Reset Circuit Breaker
8	1116020	Rocker Switch
9	1703661	Rocker Switch Mounting Bracket
10	1119078	Dual-Conductor Wire - 6 Ga. - 20'
	1118495	Dual-Conductor Wire - 6 Ga. - 30'
	1703822	Dual-Conductor Wire - 6 Ga. (per foot)
11	1116482	Electrical Wire - 14 Ga. Lead - 15'
12	1703896	Solenoid Cover
13	1701543	Nylon Lock Hex Nut - 1/4"
14	1703845	Motor-Reversing Solenoid
15	1700381	Hex Head Cap Screw - 1/4" x 1"
16	1703231	Cable Tie - 8"
DUAL CONDUCTOR KITS		
1109016		Two-Pole Connector w/Hardware [Includes 1; 16; 20; 22; 2 of 17, 18, 19, 23, 24 & 25]
1109017		Dual-Conductor Hardware [Includes 2 of 17, 18, 19, 23, 24 & 25]
17	1701045	Hex Head Cap Screw - 5/16" x 3/4"
18	1700427	Flat Washer - 1/4"
19	1704946	Top Lock Flange Nut - 5/16"
20	1119557	Heavy-Duty Dual-Conductor Metal Socket w/Boot
21	1704573	Sealing Boot - Socket Half Dual Conductor
22	1109015	Conductor Plug Mounting Bracket
23	1700407	Hex Nut - 3/8"
24	1700434	Lock Washer - 3/8"
25	1700400	Self-Tapping Screw - Non Corrosive Coating - 3/8" x 1"
26	1121230	SMARTwire™ - 6 Ga. - Socket - 12'
	1121631	SMARTwire™ - 6 Ga. - Socket - 18'
	1704994	SMARTwire™ - 6 Ga. - Socket - 40'
27	1125597	SMARTwire™ - 6 Ga. - Plug/Socket - 30'
28	1704720	Wire Harness Seal



ELECTRICS – FRONT ARMS

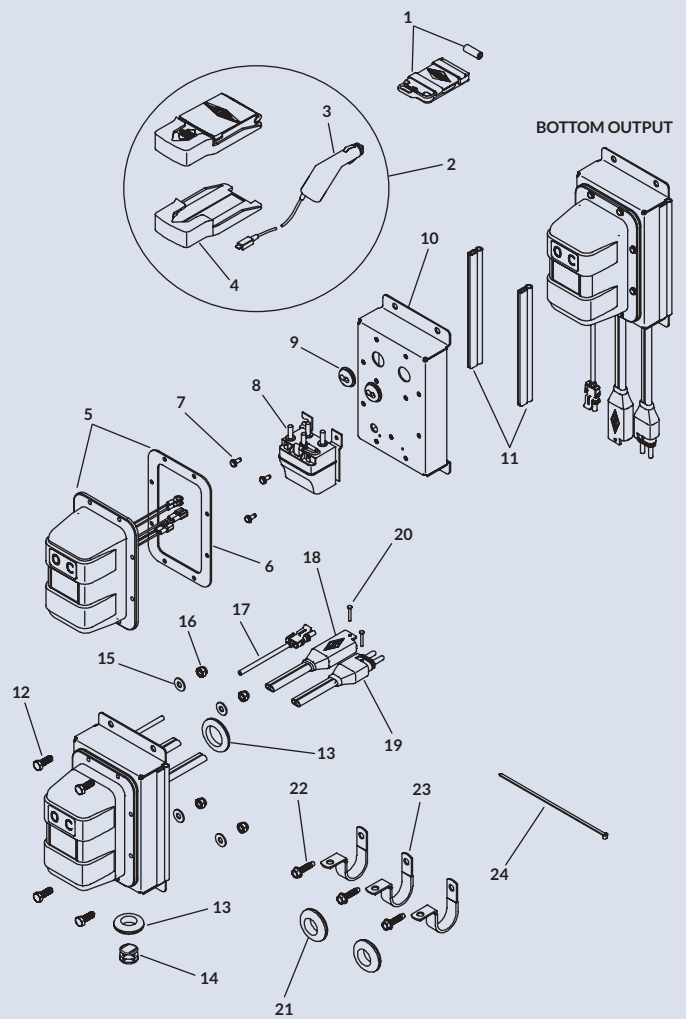


ITEM	PART #	DESCRIPTION
1	1704330	Rubber Insulating Boot
2	1121307	Durabuilt™ Motor w/Cover - 2-1/8" Shaft
3	1700433	Lock Washer - 5/16"
	1201241	Stainless Lock Washer* - 5/16"
4	1118224	Upper Pivot Arm - Black
5	1201269	Stainless Hex Head Cap Screw* - 5/16" x 3/4"
6	1701595	End Plug - 1"
7	1118286	Lower Pivot Arm - 60"
	1118225	Stainless Lower Pivot Arm* - 60"
8	1701468	Hex Head Cap Screw* - 5/16" x 1-3/4"
	1704334	Stainless Hex Head Cap Screw* - 5/16" x 1-3/4"
9	1702492	Top Lock Hex Nut - 5/16"
	1704333	Stainless Top Lock Hex Nut - 5/16"
10	1118221	Motor Extension - Black
11	1702668	Top Lock Hex Nut - 3/8"
	1704336	Stainless Top Lock Hex Nut* - 3/8"
12	1700407	Hex Nut - 3/8"
	1200999	Stainless Hex Nut* - 3/8"
13	1704332	Hex Head Cap Screw - 3/8" x 3"
	1704335	Stainless Hex Head Cap Screw* - 3/8" x 2-1/2"
14	1704987	SMARTwire™ - 6 Ga. - Plug x 1/4" Terminal - 10'9"
15	1704751	Harness Lock Pin - 1/4" x 7/8"

*Used on stainless steel fertilizer boxes.

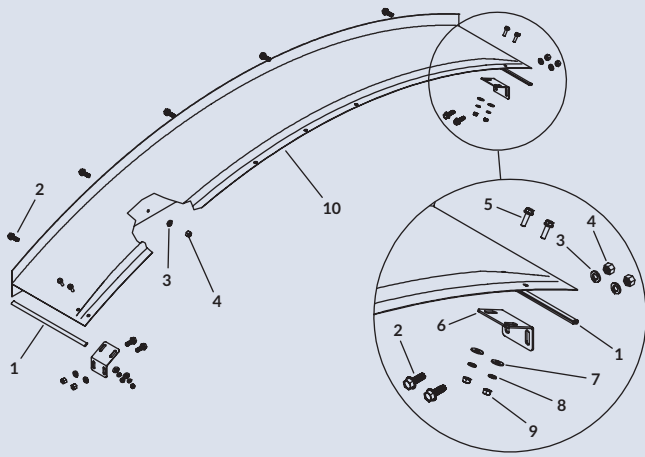
ELECTRICS – RECEIVER/REMOTE Non Express

ITEM	PART #	DESCRIPTION
SMART3™ RECEIVERS w/SMARTwire™		
1126885		SMART3™ Receiver w/Remote* - Bottom Output [Includes 1; 5; 8; 10; 11; 13; 17; 18; 19; 21; 2 of 9 & 20; 4 of 12, 15, 16, 22 & 23; 11 of 7; 15 of 24]
1126900		SMART3™ Receiver* - Bottom Output [Includes 5; 6; 8; 10; 11; 13; 17; 18; 19; 21; 2 of 9 & 20; 4 of 12, 15, 16, 22 & 23; 11 of 7; 15 of 24]
SMART2™ RECEIVERS w/SMARTwire™		
1127072		SMART2™ Receiver w/Remote* - Bottom Output [Includes 2; 3; 4; 5; 8; 10; 11; 13; 17; 18; 19; 21; 2 of 9 & 20; 4 of 12, 15, 16, 22 & 23; 11 of 7; 15 of 24]
1125608		SMART2™ Receiver* - Bottom Output [Includes 5; 8; 10; 11; 13; 17; 18; 19; 21; 2 of 9 & 20; 4 of 12, 15, 16, 22 & 23; 11 of 7; 15 of 24]
REMOTES		
1	1126867	SMART3™ Remote
	1704569	Carabiner Key Strap (not shown)
2	1122231	SMART2™ Remote w/Cradle
3	1704958	SMART2™ Charging Cable
4	1124305	SMART2™ Remote Cradle
	1124817	Lanyard Ring Kit (not shown)
RECEIVER COMPONENTS		
1120850		Receiver Mounting Hardware** [Includes 21; 2 of 20; 4 of 12, 15, 16, 22 & 23]
1120906		Wire Retaining Hardware** [Includes 4 of 22 & 23]
1120851		Wire Retaining Hardware w/Locking Pin** [Includes 20; 4 of 22 & 23]
5	1126881	SMART3™ Solenoid Cover w/Gasket
	1127074	SMART2™ Solenoid Cover w/Gasket
6	1704309	Solenoid Cover Gasket
7	1704308	Flange Cap Screw - #10 x 1/2"
8	1704312	Motor-Reversing Solenoid
9	1704721	Rubber Grommet w/Slot - .094" x 7/8"
10	1121600	Solenoid Bracket
11	1704369	Trim Seal (per foot)
12	1702926	Hex Head Cap Screw - 5/16" x 7/8"
13	1703282	Rubber Grommet - 1-1/4" Insert
14	1701595	End Plug - 1"
15	1700428	Flat Washer - 5/16"
16	1700419	Nylon Lock Hex Nut - 5/16"
17	1121641	Encoder Wire - 18 Ga. - 6'4" - SMART2™
18	1120817	SMARTwire™ - 6 Ga. - Socket x 1/4" Terminal - 6'3"
19	1704705	SMARTwire™ - 6 Ga. - Plug x 1/4" Terminal - 2'4"
20	1704751	Harness Lock Pin - 1/4" x 7/8"
21	1202938	Rubber Grommet - 1-1/2" Insert
22	1704338	Self-Tapping Screw - 1/4" x 1"
23	1702108	Wire Clip - 3/4" ID
24	1703231	Cable Tie - 8"
	1704378	Dielectric Connector Protector (not shown)



*Receivers include encoder wire but will NOT operate in Express Mode.

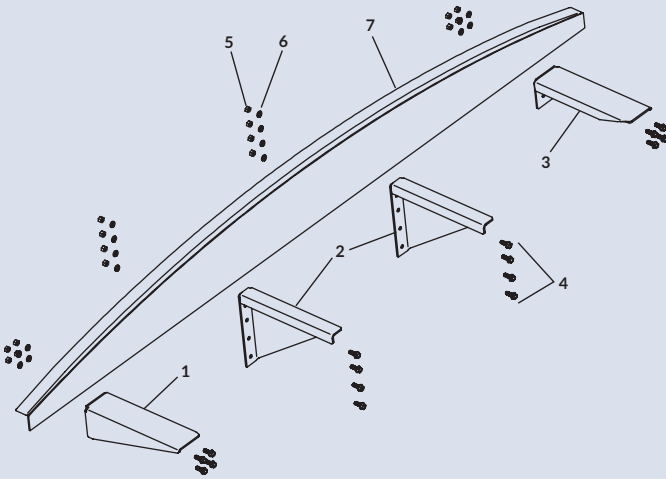
**Includes dielectric connector protector.



END CAPS – ALUMINUM FACE MOUNT

ITEM	PART #	DESCRIPTION
MOUNTING HARDWARE		
	1118594	Cap Mounting Hardware - Bolt Kit [Includes 4 of 5, 7, 8 & 9; 9 of 2, 3 & 4]
	1118595	Cap Mounting Hardware w/Edge Trim [Includes 1; 4 of 5, 7, 8 & 9; 9 of 2, 3 & 4]
1	1118596	Edge Trim - 30"
2	1700400	Self-Tapping Screw - Non Corrosive Coating - 3/8" x 1"
3	1700434	Lock Washer - 3/8"
4	1700407	Hex Nut - 3/8"
5	1704441	Flange Screw - 5/16" x 1"
6	1118188	Powder-Coated End Cap Bracket* - 6" Rise
	1118189	Powder-Coated End Cap Bracket* - 10" Rise
7	1700428	Flat Washer - 5/16"
8	1700433	Lock Washer - 5/16"
9	1700411	Hex Nut - 5/16"
ALUMINUM CAPS - FACE MOUNT		
10		Face Mount Cap* - 6" Rise x 14" Deep - 93"
		Face Mount Cap* - 6" Rise x 14" Deep - 95"
		Face Mount Cap* - 6" Rise x 14" Deep - 101"
		Face Mount Cap* - 10" Rise x 14" Deep - 93"
		Face Mount Cap* - 10" Rise x 14" Deep - 95"
		Face Mount Cap* - 10" Rise x 14" Deep - 101"

*Cap rise is typically 2" less than rise of bow. Other rises available.



END CAPS – ALUMINUM INVERTED

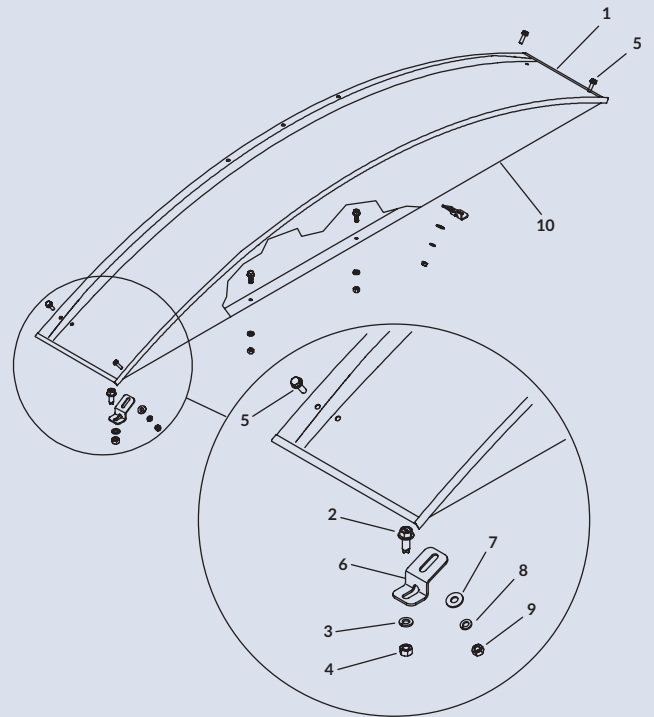
ITEM	PART #	DESCRIPTION
MOUNTING HARDWARE		
1	1124443	Cap/Cable Support - Left
2	1123552	Cap/Cable Support - Center
3	1124444	Cap/Cable Support - Right
4	1700400	Self-Tapping Screw - Non Corrosive Coating - 3/8" x 1"
5	1700407	Hex Nut - 3/8"
6	1700434	Lock Washer - 3/8"
ALUMINUM CAPS - INVERTED		
7	1125751	Aluminum Inverted Cap* - 6" Rise x 93-1/2"
	1125749	Aluminum Inverted Cap* - 6" Rise x 95"
	1125750	Aluminum Inverted Cap* - 6" Rise - 100-1/2"

*Other rises available.

NOTE: All components other than standard may require a non-refundable engineering fee of \$75 and manufacturing fee of \$25. Call for details.

END CAPS – ALUMINUM TOP MOUNT

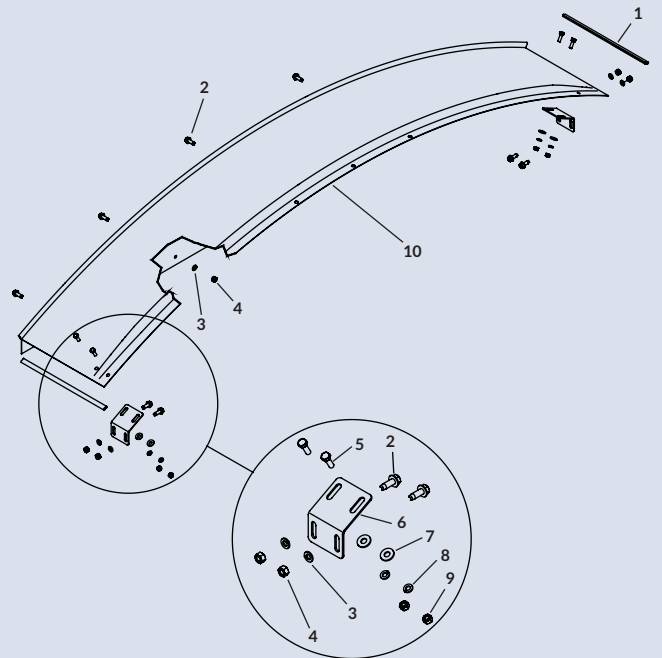
ITEM	PART #	DESCRIPTION
MOUNTING HARDWARE		
	1118594	Cap Mounting Hardware - Bolt Kit [Includes 4 of 5, 7, 8 & 9; 9 of 2, 3 & 4]
	1118595	Cap Mounting Hardware w/Edge Trim [Includes 1; 4 of 5, 6, 7 & 9; 9 of 2, 3 & 4]
1	1118596	Edge Trim - 30"
2	1700400	Self-Tapping Screw - Non Corrosive Coating - 3/8" x 1"
3	1700434	Lock Washer - 3/8"
4	1700407	Hex Nut - 3/8"
5	1704441	Flange Screw - 5/16" x 1"
6	1118191	Powder-Coated End Cap Bracket* - 6" Rise
	1118192	Powder-Coated End Cap Bracket* - 10" Rise
7	1700428	Flat Washer - 5/16"
8	1700433	Lock Washer - 5/16"
9	1700411	Hex Nut - 5/16"
ALUMINUM CAPS - TOP MOUNT		
10		Top Mount Cap* - 6" Rise x 14" Deep - 93"
		Top Mount Cap* - 6" Rise x 14" Deep - 95"
		Top Mount Cap* - 6" Rise x 14" Deep - 101"
		Top Mount Cap* - 10" Rise x 14" Deep - 93"
		Top Mount Cap* - 10" Rise x 14" Deep - 95"
		Top Mount Cap* - 10" Rise x 14" Deep - 101"



*Cap rise is typically 2" less than rise of bow. Other rises available.

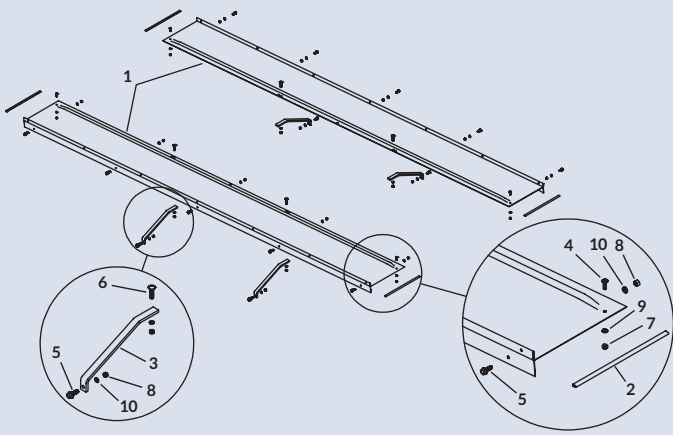
END CAPS – GALVANIZED STEEL FACE MOUNT

ITEM	PART #	DESCRIPTION
MOUNTING HARDWARE		
	1118594	Cap Mounting Hardware - Bolt Kit [Includes 4 of 5, 6, 7 & 8; 9 of 2, 3 & 4]
	1118595	Cap Mounting Hardware w/Edge Trim [Includes 1; 4 of 5, 6, 7 & 8; 9 of 2, 3 & 4]
1	1118596	Edge Trim - 30"
2	1700400	Self-Tapping Screw - Non Corrosive Coating - 3/8" x 1"
3	1700434	Lock Washer - 3/8"
4	1700407	Hex Nut - 3/8"
5	1704441	Flange Screw - 5/16" x 1"
6	1118188	Powder-Coated End Cap Bracket* - 6" Rise
	1118189	Powder-Coated End Cap Bracket* - 10" Rise
7	1700428	Flat Washer - 5/16"
8	1700433	Lock Washer - 5/16"
9	1700411	Hex Nut - 5/16"
GALVANIZED CAPS - FACE MOUNT		
10	1118896	Face Mount Cap* - 6" Rise x 14" Deep - 89"
	1118804	Face Mount Cap* - 6" Rise x 14" Deep - 93"
	1118613	Face Mount Cap* - 6" Rise x 14" Deep - 95"
	1118614	Face Mount Cap* - 6" Rise x 14" Deep - 101"
	1118892	Face Mount Cap* - 10" Rise x 14" Deep - 89"
	1118800	Face Mount Cap* - 10" Rise x 14" Deep - 93"
	1118605	Face Mount Cap* - 10" Rise x 14" Deep - 95"
	1118606	Face Mount Cap* - 10" Rise x 14" Deep - 101"
	1118607	Face Mount Cap* - 10" Rise x 14" Deep - 119"
	1118875	Face Mount Cap* - 10" Rise x 14" Deep - 143"



*Cap rise is typically 2" less than rise of bow. Other rises available.

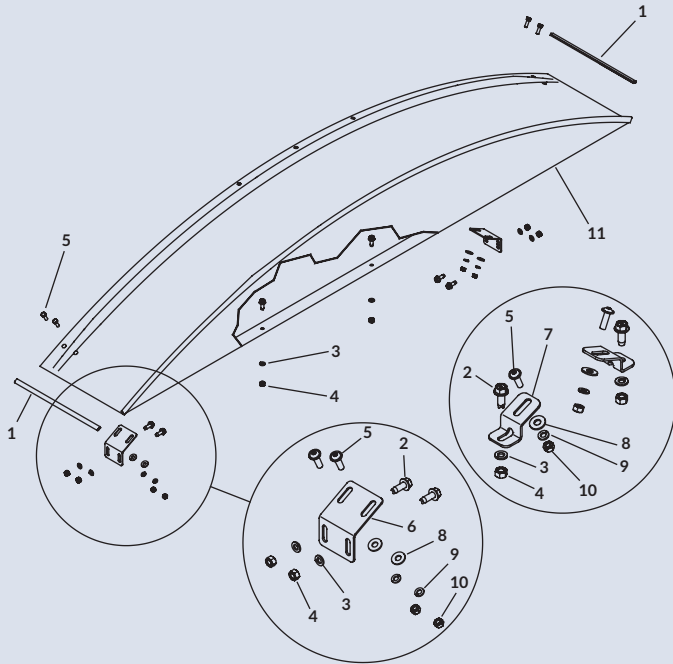
NOTE: All components other than standard may require a non-refundable engineering fee of \$75 and manufacturing fee of \$25. Call for details.



END CAPS - GALVANIZED STEEL FLAT

ITEM	PART #	DESCRIPTION
1	1119747	Galvanized Square Cap - Flat x 14" Deep - 131"
	1119743	Galvanized Square Cap - Flat x 14" Deep - 143"
2	1118596	Edge Trim - 30"
3	1119746	Cap Support Brace*
4	1704441	Flange Screw - 5/16" x 1"
5	1700400	Self-Tapping Screw - Non Corrosive Coating - 3/8" x 1"
6	1703964	Truss Head Machine Screw - 3/8" x 1-1/4"
7	1700411	Hex Nut - 5/16"
8	1700407	Hex Nut - 3/8"
9	1700433	Lock Washer - 5/16"
10	1700434	Lock Washer - 3/8"

*Cart MUST have vertical side walls for cap brace to work correctly.



END CAPS - GALVANIZED STEEL TOP MOUNT

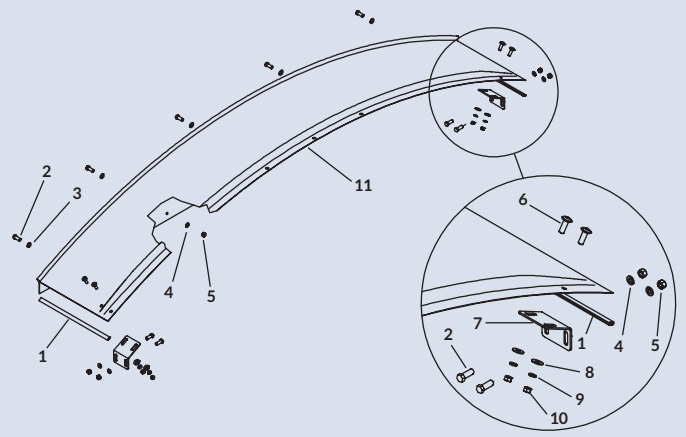
ITEM	PART #	DESCRIPTION
MOUNTING HARDWARE		
	1118594	Cap Mounting Hardware - Bolt Kit [Includes 4 of 5, 8, 9 & 10; 9 of 2, 3 & 4]
	1118595	Cap Mounting Hardware w/Edge Trim [Includes 1; 4 of 5, 8, 9 & 10; 9 of 2, 3 & 4]
1	1118596	Edge Trim - 30"
2	1700400	Self-Tapping Screw - Non Corrosive Coating - 3/8" x 1"
3	1700434	Lock Washer - 3/8"
4	1700407	Hex Nut - 3/8"
5	1704441	Flange Screw - 5/16" x 1"
6	1118191	Powder-Coated End Cap Bracket* - 6" Rise
7	1118192	Powder-Coated End Cap Bracket* - 10" Rise
8	1700428	Flat Washer - 5/16"
9	1700433	Lock Washer - 5/16"
10	1700411	Hex Nut - 5/16"
GALVANIZED CAPS - TOP MOUNT		
11	1118894	Top Mount Cap* - 6" Rise x 14" Deep - 89"
	1118807	Top Mount Cap* - 6" Rise x 14" Deep - 93"
	1118615	Top Mount Cap* - 6" Rise x 14" Deep - 95"
	1118616	Top Mount Cap* - 6" Rise x 14" Deep - 101"
	1118888	Top Mount Cap* - 10" Rise x 14" Deep - 89"
	1118803	Top Mount Cap* - 10" Rise x 14" Deep - 93"
	1118608	Top Mount Cap* - 10" Rise x 14" Deep - 95"
	1118609	Top Mount Cap* - 10" Rise x 14" Deep - 101"
	1118610	Top Mount Cap* - 10" Rise x 14" Deep - 119"
	1118878	Top Mount Cap* - 10" Rise x 14" Deep - 143"

*Cap rise is typically 2" less than rise of bow. Other rises available.

NOTE: All components other than standard may require a non-refundable engineering fee of \$75 and manufacturing fee of \$25. Call for details.

END CAPS – STAINLESS STEEL FACE MOUNT

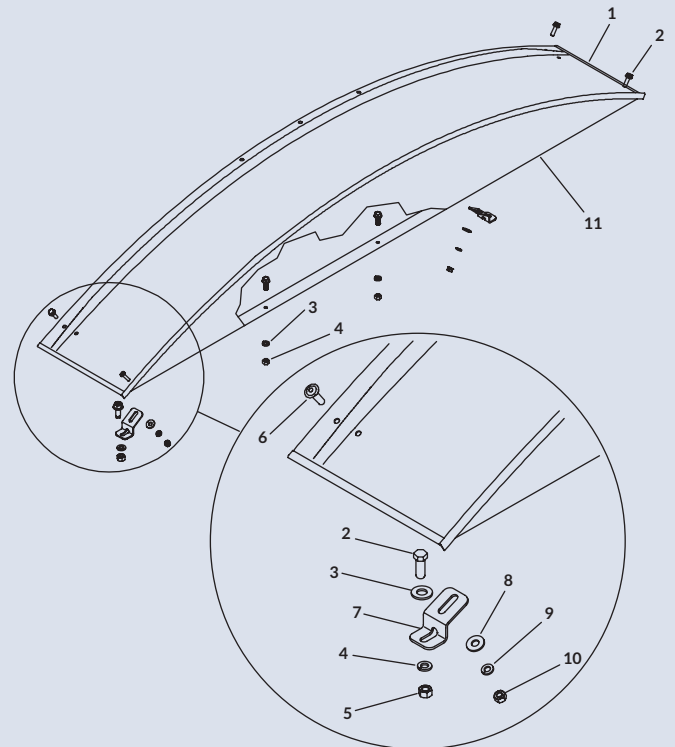
ITEM	PART #	DESCRIPTION
MOUNTING HARDWARE		
	1118737	Stainless Cap Mounting Hardware - Bolt Kit [Includes 4 of 6, 8, 9 & 10; 9 of 2, 3, 4 & 5]
	1118738	Stainless Cap Mounting Hardware w/Edge Trim [Includes 1; 4 of 6, 8, 9 & 10; 9 of 2, 3, 4 & 5]
1	1118596	Edge Trim - 30"
	1119028	Edge Guard - 110"
2	1703579	Stainless Hex Head Cap Screw - 3/8" x 1"
3	1703577	Stainless Flat Washer - 3/8"
4	1703576	Stainless Lock Washer - 3/8"
5	1200999	Stainless Hex Nut - 3/8"
6	1704443	Stainless Flange Screw - 5/16" x 1"
7	1118188	Powder-Coated End Cap Bracket* - 6" Rise
	1118189	Powder-Coated End Cap Bracket* - 10" Rise
	1122607	Stainless End Cap Bracket* - 6" Rise
	1122930	Stainless End Cap Bracket* - 10" Rise
8	1201237	Stainless Flat Washer - 5/16"
9	1201241	Stainless Lock Washer - 5/16"
10	1201493	Stainless Hex Nut - 5/16"
STAINLESS STEEL CAPS - FACE MOUNT		
11	1119301	Face Mount Cap* - 6" Rise x 14" Deep - 87"
	1119276	Face Mount Cap* - 6" Rise x 14" Deep - 89"
	1119313	Face Mount Cap* - 6" Rise x 14" Deep - 91"
	1119239	Face Mount Cap* - 6" Rise x 14" Deep - 93"
	1119264	Face Mount Cap* - 6" Rise x 14" Deep - 95"
	1119288	Face Mount Cap* - 6" Rise x 14" Deep - 101"
	1119296	Face Mount Cap* - 10" Rise x 14" Deep - 87"
	1119271	Face Mount Cap* - 10" Rise x 14" Deep - 89"
	1119308	Face Mount Cap* - 10" Rise x 14" Deep - 91"
	1119252	Face Mount Cap* - 10" Rise x 14" Deep - 93"
	1119259	Face Mount Cap* - 10" Rise x 14" Deep - 95"
	1119283	Face Mount Cap* - 10" Rise x 14" Deep - 101"



*Cap rise is typically 2" less than rise of bow. Other rises available.

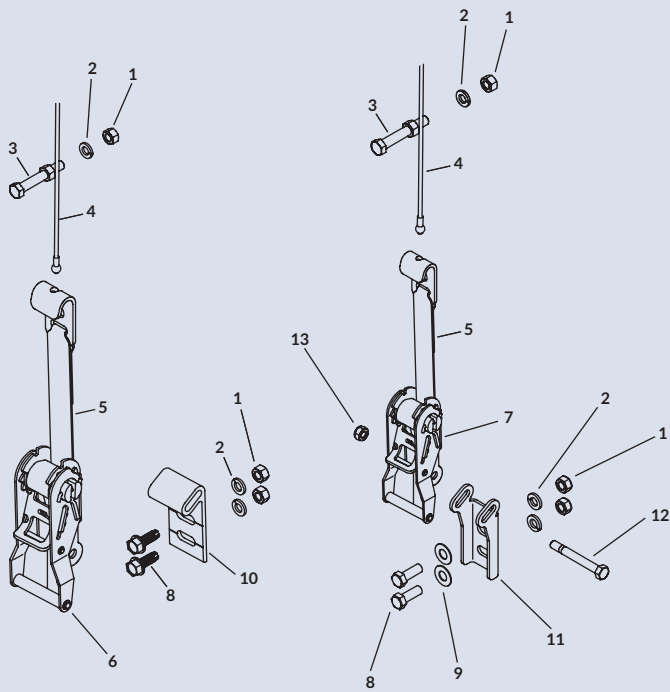
END CAPS – STAINLESS STEEL TOP MOUNT

ITEM	PART #	DESCRIPTION
MOUNTING HARDWARE		
	1118737	Stainless Cap Mounting Hardware - Bolt Kit [Includes 4 of 6, 8, 9 & 10; 9 of 2, 3, 4 & 5]
	1118738	Stainless Cap Mounting Hardware w/Edge Trim [Includes 1; 4 of 6, 8, 9 & 10; 9 of 2, 3, 4 & 5]
1	1118596	Edge Trim - 30"
	1119028	Edge Guard - 110"
2	1703579	Stainless Hex Head Cap Screw - 3/8" x 1"
3	1703577	Stainless Flat Washer - 3/8"
4	1703576	Stainless Lock Washer - 3/8"
5	1200999	Stainless Hex Nut - 3/8"
6	1704443	Stainless Flange Screw - 5/16" x 1"
7	1118191	Powder-Coated End Cap Bracket* - 6" Rise
	1118192	Powder-Coated End Cap Bracket* - 10" Rise
8	1201237	Stainless Flat Washer - 5/16"
9	1201241	Stainless Lock Washer - 5/16"
10	1201493	Stainless Hex Nut - 5/16"
STAINLESS STEEL CAPS - TOP MOUNT		
11	1119304	Top Mount Cap* - 6" Rise x 14" Deep - 87"
	1119279	Top Mount Cap* - 6" Rise x 14" Deep - 89"
	1119316	Top Mount Cap* - 6" Rise x 14" Deep - 91"
	1119242	Top Mount Cap* - 6" Rise x 14" Deep - 93"
	1119267	Top Mount Cap* - 6" Rise x 14" Deep - 95"
	1119291	Top Mount Cap* - 6" Rise x 14" Deep - 101"
	1119299	Top Mount Cap* - 10" Rise x 14" Deep - 87"
	1119274	Top Mount Cap* - 10" Rise x 14" Deep - 89"
	1119311	Top Mount Cap* - 10" Rise x 14" Deep - 91"
	1119255	Top Mount Cap* - 10" Rise x 14" Deep - 93"
	1119262	Top Mount Cap* - 10" Rise x 14" Deep - 95"
	1119286	Top Mount Cap* - 10" Rise x 14" Deep - 101"



*Cap rise is typically 2" less than rise of bow. Other rises available.

NOTE: All components other than standard may require a non-refundable engineering fee of \$75 and manufacturing fee of \$25. Call for details.



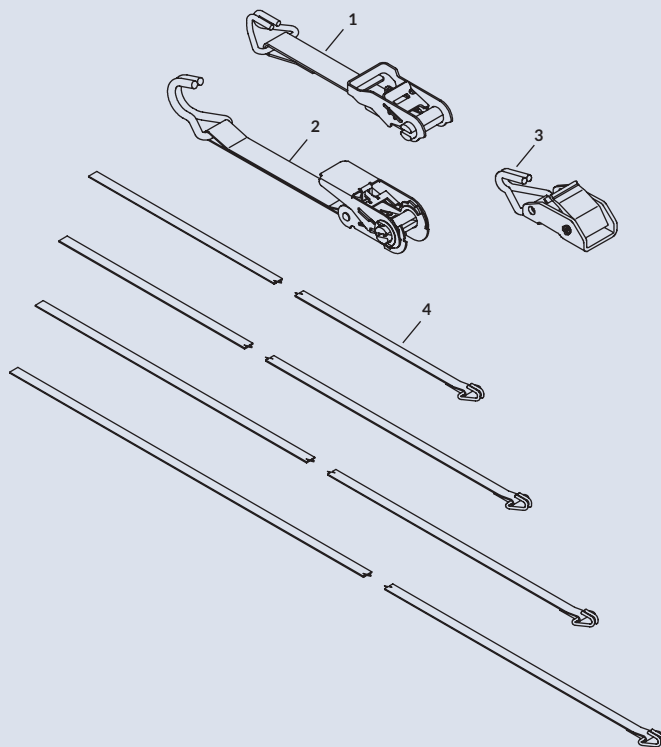
RATCHET/CABLE ASSEMBLIES

ITEM	PART #	DESCRIPTION
	1118993	Ratchet Strap (18")/Cable Kit* - 139" Galvanized [Includes 3; 4; 5; 2 of 8; 3 of 2; 4 of 1]
	1119423	Ratchet Strap (18")/Cable Kit* - 139" Stainless [Includes 3; 4; 5; 2 of 8 & 9; 3 of 2; 4 of 1]
	1118994	Ratchet Strap (18")/Cable Kit* - 151" Galvanized [Includes 3; 4; 5; 2 of 8; 3 of 2; 4 of 1]
	1119320	Ratchet Strap (18")/Cable Kit* - 175" Galvanized [Includes 3; 4; 5; 2 of 8; 3 of 2; 4 of 1]
	1118995	Ratchet Strap (42")/Cable Kit* - 139" Galvanized [Includes 3; 4; 5; 2 of 8; 3 of 2; 4 of 1]
	1119424	Ratchet Strap (42")/Cable Kit* - 139" Stainless [Includes 3; 4; 5; 2 of 8 & 9; 3 of 2; 4 of 1]
	1118996	Ratchet Strap (42")/Cable Kit* - 151" Galvanized [Includes 3; 4; 5; 2 of 8; 3 of 2; 4 of 1]
	1119321	Ratchet Strap (42")/Cable Kit* - 175" Galvanized [Includes 3; 4; 5; 2 of 8; 3 of 2; 4 of 1]
	1129609	Ratchet Strap Assembly - 18" X 1"
	1122608	Stainless Ratchet Strap Assembly - 18" [Includes 5; 7; 11; 12; 13]
	1129610	Ratchet Strap Assembly - 42" X 1"
	1122793	Stainless Ratchet Strap Assembly - 42" [Includes 5; 7; 11; 12; 13]
1	1700407	Hex Nut - 3/8"
	1200999	Stainless Hex Nut - 3/8"
2	1700434	Lock Washer - 3/8"
	1703576	Stainless Lock Washer - 3/8"
3	1702573	Hex Head Cap Screw - 3/8" x 2-1/2"
	1704429	Stainless Hex Head Cap Screw - 3/8" x 2-1/2"
4	1704295	Galvanized Cable* - 139"
	1705280	Stainless Cable* - 139"
	1704294	Galvanized Cable* - 151"
	1704514	Galvanized Cable* - 175"
5	1118273	Ratchet Strap - 18" x 1"
	1118274	Ratchet Strap - 42" x 1"
	1122609	Stainless Ratchet Strap - 18" x 1"
	1122794	Stainless Ratchet Strap - 42" x 1"
6	1706493	Ratchet Handle - 1"
7	1705066	Stainless Ratchet Handle - 1"
8	1700400	Self-Tapping Screw - Non Corrosive Coating - 3/8" x 1"
	1703579	Stainless Hex Head Cap Screw - 3/8" x 1"
9	1703577	Stainless Flat Washer - 3/8"
10	1118272	Adjustable Ratchet Bracket
11	1122610	Stainless Adjustable Ratchet Bracket
12	1705067	Stainless Hex Head Cap Screw - 5/16" x 2"
13	1704431	Stainless Lock Nut - 5/16"

*On boxes up to 102" wide, use 139" cables; on boxes 103" to 120" wide, use 151" cables; and on boxes 121" to 144" wide, use 175" cables.

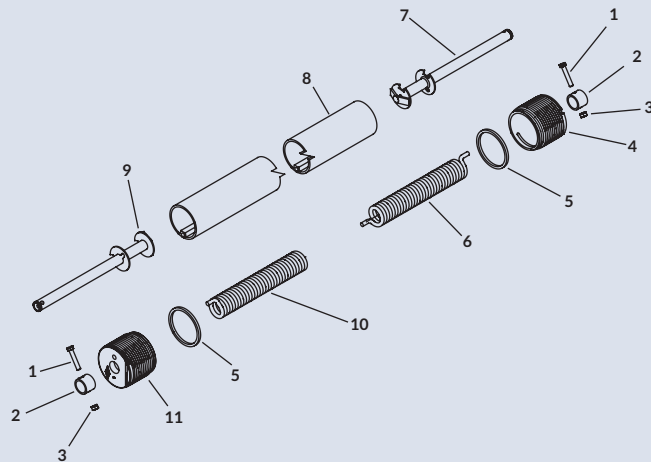
RIDGE STRAPS

ITEM	PART #	DESCRIPTION
	1118521	Ridge Strap Kit w/Hook - 1" x 10' [Includes 1; 4]
	1118523	Ridge Strap Kit w/Hook - 1" x 14' [Includes 1; 4]
	1121405	Ridge Strap Kit w/Hook - 1" x 18' [Includes 1; 4]
	1118525	Ridge Strap Kit w/Hook - 1" x 24' [Includes 1; 4]
	1118513	Powder-Coated Ridge Strap Kit w/Hook - 1" x 10' [Includes 3; 4]
	1118515	Powder-Coated Ridge Strap Kit w/Hook - 1" x 14' [Includes 3; 4]
	1118517	Powder-Coated Ridge Strap Kit w/Hook - 1" x 18' [Includes 3; 4]
	1118519	Powder-Coated Ridge Strap Kit w/Hook - 1" x 24' [Includes 3; 4]
	1120301	Stainless Ridge Strap Kit w/Hook - 1" x 10' [Includes 2; 4]
	1120302	Stainless Ridge Strap Kit w/Hook - 1" x 14' [Includes 2; 4]
	1121407	Stainless Ridge Strap Kit w/Hook - 1" x 18' [Includes 2; 4]
	1121409	Stainless Ridge Strap Kit w/Hook - 1" x 24' [Includes 2; 4]
1	1118511	Ratchet w/1" Ridge Strap
2	1120300	Stainless Ratchet w/1" Ridge Strap
3	1118509	Buckle Weldment
4	1118520	Ridge Strap w/Hook - 1" x 10'
	1118512	Powder-Coated Ridge Strap w/Hook - 1" x 10'
	1120298	Stainless Ridge Strap w/Hook - 1" x 10'
	1118522	Ridge Strap w/Hook - 1" x 14'
	1118514	Powder-Coated Ridge Strap w/Hook - 1" x 14'
	1120299	Stainless Ridge Strap w/Hook - 1" x 14'
	1121406	Ridge Strap w/Hook - 1" x 18'
	1118516	Powder-Coated Ridge Strap w/Hook - 1" x 18'
	1121408	Stainless Ridge Strap w/Hook - 1" x 18'
	1118524	Ridge Strap w/Hook - 1" x 24'
	1118518	Powder-Coated Ridge Strap w/Hook - 1" x 24'
	1121410	Stainless Ridge Strap w/Hook - 1" x 24'

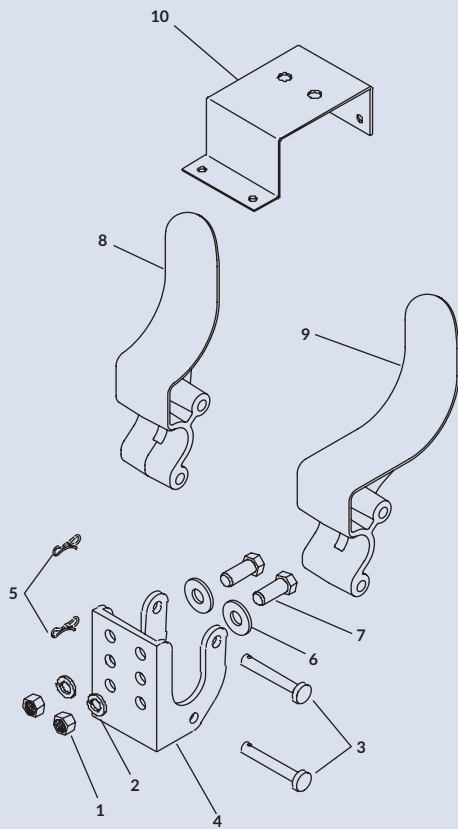


TARP POOL ASSEMBLIES

ITEM	PART #	DESCRIPTION
		Aluminum Roll Tube w/Cartridges Installed - 12' [Includes 7; 8; 9]
		Aluminum Roll Tube w/Cartridges Installed - 16' [Includes 7; 8; 9]
		Aluminum Roll Tube w/Cartridges Installed - 20' [Includes 7; 8; 9]
		Aluminum Roll Tube w/Cartridges Installed - 24' [Includes 7; 8; 9]
1	1701468	Hex Head Cap Screw - 5/16" x 1-3/4"
2	1118228	Cartridge Spacer
3	1702492	Top Lock Hex Nut - 5/16"
4	1704373	Rear Cable Spool - 3" Right
	1704436	Rear Cable Spool - 3-1/2" Right
5	1123955	O-Ring Seal Kit
6	1118229	Rear Spring (red)
7	1123953	Rear Cartridge Kit (red)
8		Roll Tube*
9	1123952	Front Cartridge Kit (black)
10	1118230	Front Spring (black)
11	1704372	Front Cable Spool - 3" Left
	1704435	Front Cable Spool - 3-1/2" Left

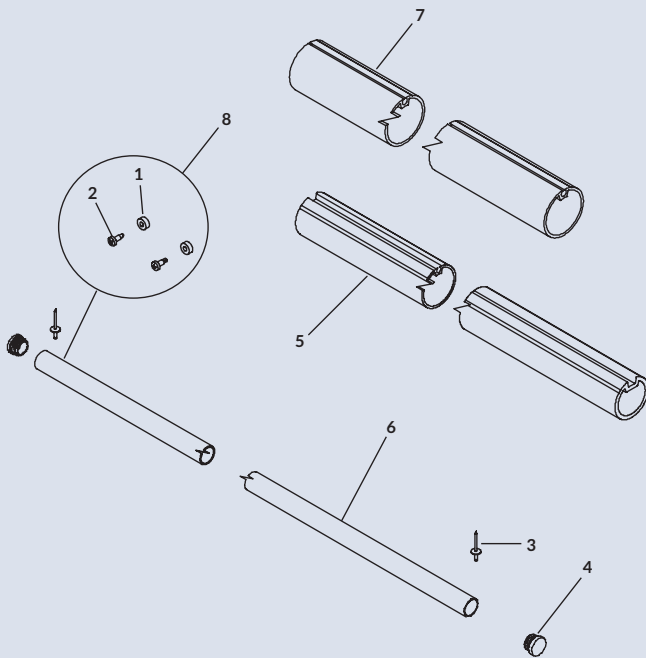


*Box length needed in inches. For aluminum roll tube pricing, see Tarp Tube pricing chart on next page.



TARP STOPS – ALUMINUM EASY-OFF

ITEM	PART #	DESCRIPTION
TARP STOPS W/MOUNTING HARDWARE		
1124780		Easy-Off Aluminum (Cast) Stop w/Hardware [Includes 4; 8; 2 of 1, 2, 3, 5 & 7]
1124783		Easy-Off Aluminum (Cast) 6" Offset Stop w/Hardware [Includes 4; 9; 2 of 1, 2, 3, 5 & 7]
1124781		Powder-Coated Easy-Off Aluminum (Cast) Stop w/Hardware [Includes 4; 8; 2 of 1, 2, 3, 5, 6 & 7]
1124784		Powder-Coated Easy-Off Aluminum (Cast) 6" Offset Stop w/Hardware [Includes 4; 9; 2 of 1, 2, 3, 5, 6 & 7]
1124816		Easy-Off Aluminum (Cast)/Stainless Body w/Hardware [Includes 4; 8; 2 of 1, 2, 3, 5, 6 & 7]
1124782		Powder-Coated Easy-Off Aluminum (Cast)/Stainless Body w/Hardware [Includes 4; 8; 2 of 1, 2, 3, 5, 6 & 7]
1118389		Bowtie Cotter Pin/Ring Assy [Includes 2 of 3 & 5]
1	1700407	Hex Nut - 3/8"
	1200999	Stainless Hex Nut - 3/8"
2	1700434	Lock Washer - 3/8"
	1703576	Stainless Lock Washer - 3/8"
3	1703604	Clevis Pin - 5/16" x 2-7/8"
4	1100833	Easy-Off Tarp Stop Body
	1118268	Powder-Coated Easy-Off Tarp Stop Body
	1116975	Stainless Easy-Off Tarp Stop Body
5	1704380	Bowtie Cotter Pin - 1-3/8"
6	1703577	Stainless Flat Washer - 3/8"
7	1700400	Self-lapping Screw - Non Corrosive Coating - 3/8" x 1"
	1703579	Stainless Hex Head Cap Screw - 3/8" x 1"
8	1705775	Easy-Off Aluminum (Cast) Stop Upright
	1124770	Powder-Coated Easy-Off Aluminum (Cast) Stop Upright
9	1705454	Easy-Off Aluminum (Cast) 6" Offset Stop Upright
	1124772	Powder-Coated Easy-Off Aluminum (Cast) 6" Offset Stop Upright
10	1100814	Tarp Stop Bracket



TARP TUBES

ITEM	PART #	DESCRIPTION
1	1118037	Plastic Washer - Black
2	1700398	Self-Drilling Screw - 1/4" x 3/4"
3	1704337	Blind Rivet - 3/16" x 3/8"
4	1700523	Plastic End Plug
5	1704863	Aluminum Splice Tube - 3'
6		Fixed Tube* - 1-1/8" x 16'
		Fixed Tube* - 1-1/8" x 8'
		Fixed Tube* - 1-1/8" x 20'
		Fixed Tube* - 1-1/8" x 11'
		Fixed Tube* - 1-1/8" x 24'
		Fixed Tube* - 1-1/8" x 15'
		Stainless Fixed Tube* - 1" x 12'
		Stainless Fixed Tube* - 1" x 16'
		Stainless Fixed Tube* - 1" x 20'
		Stainless Fixed Tube* - 1" x 24'
7		Aluminum Roll Tube* - 3" x 12'
		Aluminum Roll Tube* - 3" x 16'
		Aluminum Roll Tube* - 3" x 20'
		Aluminum Roll Tube* - 3" x 24'
8	1118536	Fixed Tube Stop Hardware [Includes 2 of 1 & 2]

*Box length is needed in inches; tarp tube is cut to length.

GENUINE CABLE-LOK™ CROSS-REFERENCE CHART

Genuine Shur-Co® replacement parts are proven to both fit and function better. For quality performance, go with the name you can trust. Remember that utilizing non-Genuine parts may void your warranty.

Our Cross-Reference Chart on this and the following page helps you replace parts on competitor systems with Genuine Shur-Co® replacements. For your convenience, we also have a comprehensive numerical listing of Shur-Co® parts and prices in Section 8.

	DESCRIPTION	OTHER	SHUR-CO® PART #	
CABLES	CABLES			
	Galvanized Cable - 175"	10938	1704514	
	Galvanized Cable - 151"	10939	1704294	
	Galvanized Cable - 139"	10940	1704295	
	Stainless Cable - 139"	10941	1705280	
CART.	CARTRIDGES			
	Rear Cartridge Kit - Red	40835	1123953	
	Front Cartridge Kit - Black	40812	1123952	
	Cartridge Spacer	10734	1118228	
CRANKS/RETAINERS	CRANKS/RETAINERS			
	Galvanized Telescoping/Indexing Crank w/Flex Joint - Extends 4'9" to 7'10"	70614	1123809	
	Galvanized Telescoping/Indexing Crank w/Flex Joint - Extends 6'1" to 9'4"		1123813	
	Galvanized Telescoping/Indexing Crank w/Flex Joint - Extends 8'3" to 11'6"	70657	1123817	
	Galvanized Telescoping/Indexing Crank w/Flex Joint - Extends 9'7" to 12'10"	70690	1123821	
	Galvanized Telescoping/Indexing Crank - Extends 4'9" to 7'10"	70606	1123810	
	Galvanized Telescoping/Indexing Crank - Extends 6'1" to 9'4"		1123814	
	Galv Telescoping/Indexing Crank - Extends 8'3" to 11'6"	70649	1123818	
	Galvanized Telescoping/Indexing Crank - Extends 9'7" to 12'10"	70686	1123822	
	Stainless Telescoping/Indexing Crank w/Flex Joint - Extends 4'9" to 7'10"		1123811	
	Stainless Telescoping/Indexing Crank w/Flex Joint - Extends 6'1" to 9'4"		1123815	
	Stainless Telescoping/Indexing Crank w/Flex Joint - Extends 8'3" to 11'6"		1123819	
	Stainless Telescoping/Indexing Crank w/Flex Joint - Extends 9'7" to 12'10"		1123823	
	Stainless Telescoping/Indexing Crank - Extends 4'9" to 7'10"		1123812	
	Stainless Telescoping/Indexing Crank - Extends 6'1" to 9'4"		1123816	
	Stainless Telescoping/Indexing Crank - Extends 8'3" to 11'6"		1123820	
	Stainless Telescoping/Indexing Crank - Extends 9'7" to 12'10"		1123824	
	Flex Arm Joint Assembly - 12"	70150	1118722	
	Telescoping Crank Retainer Kit	30527	1123756	
	Stainless Telescoping Crank Retainer Kit	70235	1123905	
	Nylon Crank Holder	10733	1705259	
	ELECTRICS	ELECTRICS		
		Cable-Lok™ Electric Kit - Farm Box - Rocker - 75' Wire	40865	1119518
		Cable-Lok™ Electric Kit - Farm Box w/SMARTwire™ - SMART3™	80329	1126936
		Cable-Lok™ Electric Kit - Farm Box w/SMARTwire™ - SMART2™		1125660
		Cable-Lok™ Electric Kit - Fertilizer Tender - Rocker - 30' Wire		1119516
		Cable-Lok™ Electric Kit - Fertilizer Tender w/SMARTwire™ - SMART3™	80211	1126941
Cable-Lok™ Electric Kit - Fertilizer Tender w/SMARTwire™ - SMART2™			1125662	
Cable-Lok™ Electric Kit - Fertilizer Tender Trailer w/SMARTwire™ - SMART3™			1126938	
Cable-Lok™ Electric Kit - Fertilizer Tender Trailer w/SMARTwire™ - SMART2™			1125664	
Cable-Lok™ Electric Kit - Farm Box - Stainless - Rocker - 75' Wire		40890	1123970	
Cable-Lok™ Electric Kit - Farm Box w/SMARTwire™ - Stainless - SMART3™		80313	1126937	
Cable-Lok™ Electric Kit - Farm Box w/SMARTwire™ - Stainless - SMART2™			1125661	
Cable-Lok™ Electric Kit - Fertilizer Tender - Stainless - Rocker - 30' Wire		50971	1119514	
Cable-Lok™ Electric Kit - Fertilizer Tender w/SMARTwire™ - Stainless - SMART3™		80199	1126942	
Cable-Lok™ Electric Kit - Fertilizer Tender w/SMARTwire™ - Stainless - SMART2™			1125663	
Cable-Lok™ Electric Kit - Fertilizer Tender Trailer - Stainless - Rocker - 30' Wire		60111	1123973	
Cable-Lok™ Electric Kit - Fertilizer Tender Trailer w/SMARTwire™ - Stainless - SMART3™		80278	1126939	
Cable-Lok™ Electric Kit - Fertilizer Tender Trailer w/SMARTwire™ - Stainless - SMART2™			1125665	
Durabuilt™ Motor w/Cover - 2-1/8" Shaft		50676	1121307	
Upper Pivot Arm - Black		10774	1118224	
Lower Pivot Arm - 60"		30638	1118286	
Stainless Lower Pivot Arm - 60"			1118225	
End Plug - 1"		10124	1701595	
Motor Extension - Black		10333	1118221	
Rubber Insulating Boot		70278	1704330	
Motor-Reversing Solenoid		70498	1703845	
Solenoid Cover			1703896	
Rocker Switch	40649	1116020		
Rocker Switch Mounting Bracket	40673	1703661		
40-Amp Modified-Reset Circuit Breaker	10739	1704354		
Dual-Conductor Wire - 6 Ga. (per foot)	20046	1703822		
Electrical Wire - 14 Ga. Lead - 15'	40653	1116482		
Heavy-Duty Dual-Conductor Plug - Vertical Pin	20048	1115385		
Heavy-Duty Dual-Conductor Socket w/Boot - Vertical Pin	70388	1119557		

Continued on next page

GENUINE CABLE-LOK™ CROSS-REFERENCE CHART

	DESCRIPTION	OTHER	SHUR-CO® PART #	
RATCHETS/STRAPS	RATCHETS/STRAPS			
	Ratchet Strap Assembly - 18"		1118275	
	Stainless Ratchet Strap Assembly - 18"	80043	1122608	
	Ratchet Strap Assembly - 42"		1118276	
	Stainless Ratchet Strap Assembly - 42"		1122793	
	Ratchet Strap - 18" x 2"		1118273	
	Stainless Ratchet Strap - 18" x 1"	70989	1122609	
	Ratchet Strap - 42" x 2"		1118274	
	Stainless Ratchet Strap - 42" x 1"		1122794	
	Ratchet Handle - 2"		1704421	
	Stainless Ratchet Handle - 1"	80033	1705066	
	Adjustable Ratchet Bracket	71002	1118272	
	Stainless Adjustable Ratchet Bracket	71004	1122610	
	RIDGE STRAPS	RIDGE STRAPS		
Ridge Strap Kit w/Hook - 1" x 10'		50414	1118521	
Ridge Strap Kit w/Hook - 1" x 14'		30769	1118523	
Ridge Strap Kit w/Hook - 1" x 18'			1121405	
Ridge Strap Kit w/Hook - 1" x 24'		30845	1118525	
Stainless Ridge Strap Kit w/Hook - 1" x 10'		50428	1120301	
Stainless Ridge Strap Kit w/Hook - 1" x 14'		40962	1120302	
Stainless Ridge Strap Kit w/Hook - 1" x 18'		40963	1121407	
Stainless Ridge Strap Kit w/Hook - 1" x 24'		50008	1121409	
Powder-Coated Ridge Strap Kit w/Hook - 1" x 10'			1118513	
Powder-Coated Ridge Strap Kit w/Hook - 1" x 14'			1118515	
Powder-Coated Ridge Strap Kit w/Hook - 1" x 18'			1118517	
Powder-Coated Ridge Strap Kit w/Hook - 1" x 24'			1118519	
ROLL TUBES		ROLL TUBES		
	Aluminum Roll Tube - 3" x 24'	10263	1704236	
	Aluminum Roll Tube - 3" x 20'		1704398	
	Aluminum Roll Tube - 3" x 16'		1704439	
	Aluminum Roll Tube - 3" x 12'		1118639	
	Aluminum Splice Tube - 3'	50064	1704863	
SPOOLS	SPOOLS			
	Front Cable Spool - 3" Left	20547	1704372	
	Front Cable Spool - 3-1/2" Left	20549	1704435	
	Rear Cable Spool - 3" Right	20548	1704373	
	Rear Cable Spool - 3-1/2" Right	20550	1704436	
	O-Ring Seal Kit	30553	1123955	
SPRINGS	SPRINGS			
	Front Spring - Black	10828	1118230	
	Front Spring - Black	40983	1118230	
	Rear Spring - Red	10827	1118229	
	Rear Spring - Red	40982	1118229	
	FIXED TUBES/STOPS	TUBES/STOPS		
Fixed Tube - 1-1/8" x 24'		40870	1701428	
Fixed Tube - 1-1/8" x 20'			1700049	
Fixed Tube - 1-1/8" x 16'			1700051	
Stainless Fixed Tube - 1" x 24'		20905	1704399	
Stainless Fixed Tube - 1" x 20'			1704500	
Stainless Fixed Tube - 1" x 16'			1704499	
Plastic End Plug		30537	1700523	
Plastic End Plug		50555	1700523	
Plastic Washer - Black			1118037	
Self-Drilling Screw - 1/4" x 3/4"			1700398	
Blind Rivet - 3/16" x 3/8"		60793	1704337	
TARP STOP ASSEMBLIES		TARP STOP ASSEMBLIES		
		Easy-Off Aluminum (Cast) Tarp Stop w/Mounting Hardware	50563	1124780
	Easy-Off Aluminum (Cast) 6" Offset Tarp Stop w/Hardware	50579	1124783	
	Powder-Coated Easy-Off (Cast) Tarp Stop w/Mounting Hardware	50572	1124781	
	Powder-Coated Easy-Off (Cast) 6" Offset Tarp Stop w/Mounting Hardware		1124784	
	Easy-Off Aluminum (Cast)/Stainless Body w/Mounting Hardware		1124816	
	Powder-Coated Easy-Off (Cast)/Stainless Body w/Mounting Hardware		1124782	
	Clevis Pin - 5/16" x 2-7/8"	10892	1703604	
	Easy-Off Tarp Stop Body	60471	1100833	
	Powder-Coated Easy-Off Tarp Stop Body	30544	1118268	
	Stainless Easy-Off Tarp Stop Body	70282	1116975	
	Bowtie Cotter Pin - 1-3/8"	60036	1704380	
	Easy-Off Aluminum (Cast) Tarp Stop Upright	60444	1705775	
	Powder-Coated Easy Off Aluminum (Cast) Tarp Stop Upright	70332	1124770	
	Easy-Off Aluminum (Cast) 6" Offset Tarp Stop Upright	20957	1705454	
	Powder-Coated Easy-Off Aluminum (Cast) 6" Offset Tarp Stop Upright	40916	1124772	
	Tarp Stop Bracket	70975	1100814	



OUR BUSINESS IS COVERING YOURS!

Shur-Co® purchased Roll-Tite™ in 2014, adding it to our flatbed division - adding a retractable tarp system to the already wide array of lumber, steel, and custom tarp offerings and cargo control items.

With Shur-Co® adding ShurTite™ product to its family of products, the access and availability of retractable tarping systems, parts, and tarps is unmatched in the industry. Now, with nine company-owned sales, service and distribution centers located in the United States and Canada, along with hundreds of Authorized Shur-Co® Dealers, you can be sure that service and support before and after your purchase is never very far away. Our entire team continues to improve and innovate and is ready to accommodate even your most specific requests.

ShurTite™ offers a wide range of cargo control products including chains, straps, winders, winches, bars and tracks.

Visit shurco.com to learn more.

To order, call us at 1.877.474.8726.



BUILT TO BE THE BEST!

Donovan® – The Products You Need, The Options You Want, The Service You Deserve!

Our Donovan® brand was designed with you and your work in mind. We know the construction and waste industries include tough work and long hours, and you need a well-built, reliable, economical tarping system. That's exactly what our Donovan® brand can do for you. Donovan® branded products, such as the UT Tarp System™, DuraPull™, Arm-Matic™, Sidewinder™, Hy-Tower™ and SWAT® are kitted systems and readily available, so when you have a tight turnaround, we're here to help. No matter the need, our Donovan® brand will have the tarping solution for you. Give us a call with your specifications, and we'll take it from there.

Visit shurco.com to learn more.

To order, call us at 1.800.327.8287.



NOTES

ORDERS

All orders are subject to written acceptance by Shur-Co®, LLC, PO Box 713, 2309 Shur-Lok Street, Yankton, South Dakota 57078-0713, USA. We are required by law to collect sales tax and F.E.T. taxes on products shipped to states where applicable. If tax exempt, a copy of your tax exempt certificate must accompany your order.

EXPEDITE/CANCELLATION/CHANGE FEES

In-stock parts orders placed by 10:00 a.m. (Central Time) normally ship the same day. (This varies with quantity/size of the order.) Standard lead time on tarps and hardware kits is generally five (5) to seven (7) working days; however, if you request that your order of tarps, hardware kits and/or complete tarp systems be expedited earlier than the normal lead time, there will be an extra charge of \$25. This fee is in addition to shipping and handling charges. Any change will generate an additional charge of \$25, and a cancellation will generate a 15 percent restocking fee. Lastly, once an order is in production, no changes can be made – the order is then considered final.

NOTE: We have no control over delivery dates – only ship dates.

SHIPPING

All orders are shipped F.O.B. from Shur-Co®, LLC, Yankton, SD; Stuart, FL; Caldwell, ID; Decatur, IL; West Fargo, ND; Rootstown, OH; Brantford, Ontario, Canada; or Rochester, Kent, UK. No full freight will be allowed and no prepaid shipment accepted unless quoted and approved in writing prior to acceptance of order. All shipments are made by the most reasonable means in accordance with size and weight of order, unless specific routing instructions are furnished by customer. Shipments are made daily via U.P.S. and common carrier. Claims for shortages must be made within 10 days. Claims for damages or loss in transit must be made with the carrier. No collect calls will be accepted. To ensure delivery, we need your full street address and phone number. When you receive your shipment, examine it carefully. Be sure that all cartons listed on the delivery sheet are present and accounted for. Large items, like steel tubing, may be packaged separately. If a carton is damaged, open it and inspect contents before signing for delivery. If merchandise is damaged, describe the damage on the delivery receipt. Failure on your part to document damaged or missing merchandise on the delivery receipt releases carrier of liability; repair or replacement will be the customer's responsibility.

CREDIT TERMS

Shipments are made on a cash basis – no C.O.D.s. We accept American Express, Discover, VISA, MasterCard and checks by phone or mail. Prices subject to change without notice.

WARRANTY

We warrant that all new products are free from defects in materials and workmanship.* Warranty is effective if products are properly installed and used for the purpose for which they were intended and applies to original buyer only. Except as set forth above or as set forth in any product-specific warranty documentation, we make no other warranties, express or implied, including, but not limited to, warranties of merchantability or fitness for a particular use.

WARRANTY Continued

Returns for warranty must be accompanied by a Return Merchandise Authorization number (RMA#), obtained by calling Customer Service at 866-748-7435, and sent, with freight paid by us, to Shur-Co®, LLC, 2309 Shur-Lok Street, PO Box 713, Yankton, SD 57078-0713, USA. Products returned without an RMA# will be refused. When we issue the RMA#, we will also issue a call tag to have UPS (or other freight company) pick up the product. C.O.D. warranty returns will not be accepted. We will pay no storage charges for a warranty product return prior to pickup by us or the freight company. If a warranty product return is scheduled to be picked up by us, we will do so at our earliest convenience.

If the product returned is found, in our judgement, to be defective in material or workmanship, our obligation under this warranty is limited to repair or replacement of the product, which will be made by us. Repair or replacement will be at our discretion, with replacements being made using current products performing the equivalent function. Labor charges other than those incurred at our factory or customer-owned service location (see back cover for a listing of facilities), including, but not limited to, any labor to install a repaired or replacement product, are not covered under this warranty. All and any expenses associated with delivering defective products to our factory and delivering repaired or replacement products from our factory to the owner will be paid by us.

If the product returned is found, in our judgement, to be non-warrantable, the owner will be contacted to authorize repair, the purchase of a replacement product or return of the product, all of which will be at the owner's expense. Payment authorization must be received by us before any non-warrantable product is repaired, replaced or returned. All expenses associated with delivering the repaired non-warrantable product from our factory to the owner will be paid by the owner.

In no event will we be liable for damages of any kind to person, product or property, including, but not limited to, indirect, incidental, special, consequential or punitive damages, or damages for loss of profits or revenue, even if we have been advised of the possibility of such damages. There are no warranties for used products or products that have been repaired, altered, modified or subjected to misuse, negligence or accident. We will not repair or replace products that fail or malfunction due to ordinary wear and tear, except as expressly provided in a product-specific warranty. The use of non-Shur-Co®, LLC parts in conjunction with our products will void the product warranty.

*Certain products have specific warranties that differ from this warranty, i.e. motors and electronics. Product-specific warranty documentation is available for these items. In the event of a conflict between this warranty and a product-specific warranty, the product-specific warranty will govern. SEE THE FULL LISTING OF SHUR-CO® PATENTS ON OUR WEBSITE: shurco.com/patents.

RETURN POLICY

All sales are final. See WARRANTY section at left and above for information on warranty returns.

NOTE: No person is authorized to modify the foregoing conditions of sale whatsoever. All product listings, sizes, weights and manufacturing details in this catalog are subject to change without notice.

Copyright 2022 Shur-Co®, LLC



CABLE-LOK™ PRODUCT GUIDE



SALES, INSTALLATIONS, PARTS AND REPAIRS

World Headquarters
SHUR-CO® of SOUTH DAKOTA
2309 Shur-Lok St., Yankton
877.474.8726
FAX: 605.665.0501

SHUR-CO® of IDAHO
921 Garber St., Caldwell
208.455.1046
FAX: 208.459.1190

SHUR-CO® of ILLINOIS
3993 E. Mueller Ave., Decatur
866.356.0246
FAX: 217.877.8270

SHUR-CO® of VERMILLION
1212 N. Norbeck St., Vermillion
605.658.1020
FAX: 605.658.1022

SHUR-CO® of OHIO
4676 Lynn Rd., Rootstown
866.356.0242
FAX: 330.297.5599

SHUR-CO® of NORTH DAKOTA
1746 4th Ave. NW, West Fargo
877.868.4488
FAX: 701.277.1283

SHUR-CO® of CANADA
490 Egin St., Unit #2
Brantford, Ontario N3S 7P8
800.265.0823
FAX: 519.715.3997

Donovan® Brand Headquarters
SHUR-CO® of FLORIDA
3353 SE Gran Park Way, Stuart
800.327.8287
FAX: 772.287.0431

SHUR-CO® UK Limited
Rochester Airport Est., Unit 41
Laker Rd.
Rochester, Kent ME1 3QX
+44 (0) 1795.473499



FOLLOW US ON SOCIAL MEDIA!