

# BOX DETAIL SHEET FOR ELECTRIC GATE AND HOIST

CORRECT PHYSICAL MEASUREMENTS ARE ESSENTIAL FOR PROPER TARP FIT. PROVIDE ALL REQUESTED INFORMATION OR YOUR ORDER MAY BE DELAYED. **DO NOT USE** UNIVERSAL BOX SIZES. **ALWAYS** USE ACTUAL MEASUREMENTS. BOX SIZE AND FINISHED TARP SIZE ARE **NOT** THE SAME.

## CONTACT INFORMATION

G014BD-1018

NAME \_\_\_\_\_  
 ADDRESS \_\_\_\_\_  
 EMAIL \_\_\_\_\_  
 CITY \_\_\_\_\_ STATE \_\_\_\_\_ ZIP \_\_\_\_\_  
 PHONE \_\_\_\_\_ FAX \_\_\_\_\_  
 BOX/TRAILER MAKE \_\_\_\_\_

## CURRENT TARPING SYSTEM

None  Manual  Electric\*

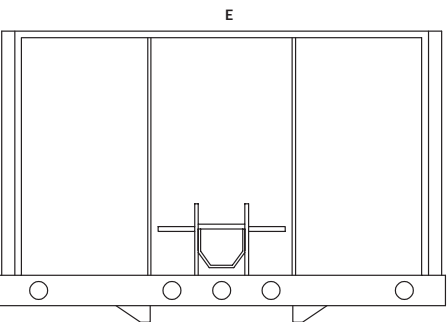
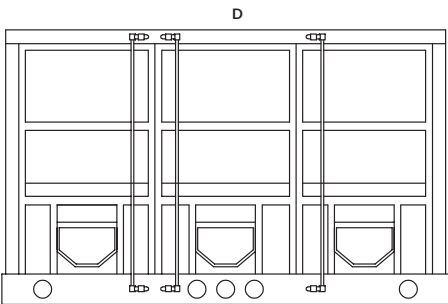
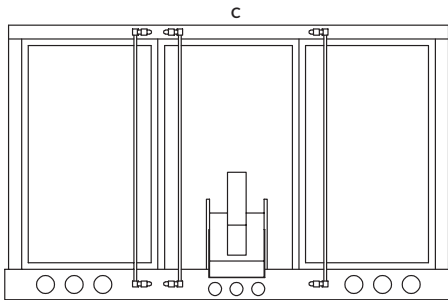
\*IF ELECTRIC TARPING SYSTEM, WHICH KIND:

Rocker  SMART2™  SMART3™

Adding electric tarping system at same time as ordering the Gate and Hoist kit. Please enter P/N of tarping system here:

\_\_\_\_\_

ONLY ONE (1) ACTUATOR PER KIT



## BOX DIMENSIONS

BOX MAKE \_\_\_\_\_

YEAR \_\_\_\_\_

A \_\_\_\_\_ Upper Box Length  
 B \_\_\_\_\_ Upper Box Width  
 N \_\_\_\_\_ Top Rail Width  
 U \_\_\_\_\_ Inside Box Width  
 X \_\_\_\_\_ Outside Box Height from Ground

REMOTE TYPE

SMART2™  SMART3™

HOIST TYPE

Air-Over Hydraulic

Yes  No - Electric Gate & Hoist N/A

Style \_\_\_\_\_

BOX STYLE *See illustrations at right and below*

Type C  Type D  Type E

Other \_\_\_\_\_

GATE STYLE

Flat  Ribbed

MANUALLY CONTROLLED AIR SWITCH

Yes  No

