

**INDEX - 1**

SHUR-CO® DISTRIBUTION CENTERS .....2

SHUR-LOK® ROLL TARP APPLICATIONS

    Shur-Lok® for Grain Carts and Wagons.....3

Shur-Lok® for Tenders and Spreaders .....4

    Shur-Lok® for Farm Bodies .....5-6

    Shur-Lok® for Grain Trailers .....7-8

    Double Shur-Lok® Systems..... 9-10

    Shur-Lok® for Live-Bottom Trailers..... 11

    Shur-Lok® for End Dumps..... 12

    Shur-Lok® for Dump Bodies..... 13

    Shur-Lok® for Belly Dumps..... 14

    Shur-Lok® for Open-Top Vans.....15-16

    Shur-Lok® for Chip Trailers ..... 17

    Shur-Lok® for Refuse Trailers ..... 18

    Shur-Lok® for Silage Boxes ..... 19

PREMIUM BELT 'N RATCHET APPLICATIONS

    PBR for Grain Trailers..... 20

    PBR for Farm Bodies ..... 21

    PBR for Dump Bodies ..... 22

    PBR for Belly Dumps..... 23

    PBR for End Dumps..... 24-25

    PBR for Open-Top Vans ..... 26

    PBR for Chip Trailers ..... 27

    PBR for Refuse Trailers ..... 28

REPLACEMENT TARPS ..... 29-34

FITTED TARPS ..... 34

SHUR-CO® EXPRESS TARPS ..... 35

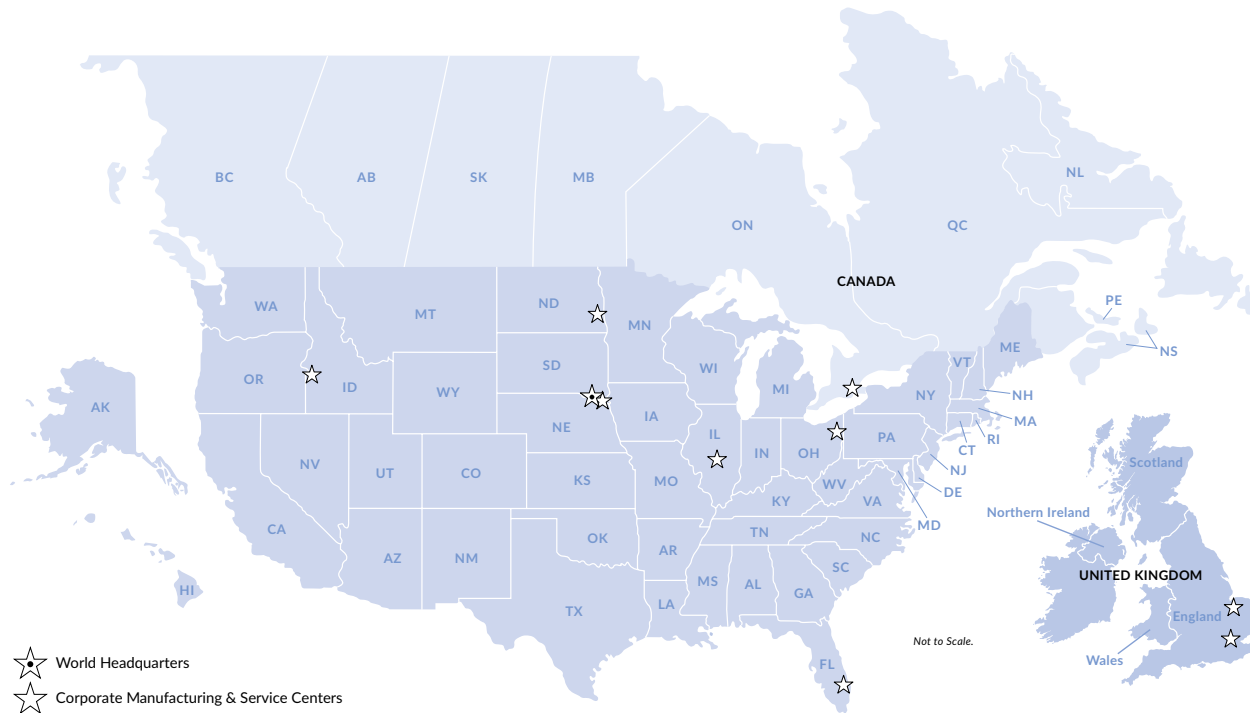
OPTIONS AND UPGRADES ..... 36-39

GENUINE REPLACEMENT PARTS ..... 40-69

GENUINE SHUR-CO® BULK PRICING ..... 70

NOTES..... 71

# SHUR-CO® SALES AND DISTRIBUTION CENTERS



☆ World Headquarters  
 ☆ Corporate Manufacturing & Service Centers

*World Headquarters*  
**SHUR-CO® CORPORATE HQ**  
 2309 Shur-Lok St., Yankton  
**800.474.8756**  
 FAX: 605.665.0501

*Donovan® Brand Headquarters*  
**SHUR-CO® of FLORIDA**  
 3353 SE Gran Park Way, Stuart  
**800.327.8287**  
 FAX: 772.287.0431

**SHUR-CO® of CANADA**  
 490 Egin St., Unit #2  
 Brantford, Ontario N3S 7P8  
**800.265.0823**  
 FAX: 519.715.3997

**SHUR-CO® of IDAHO**  
 921 Garber St., Caldwell  
**208.455.1046**  
 FAX: 208.459.1190

**SHUR-CO® of OHIO**  
 4676 Lynn Rd., Rootstown  
**866.356.0242**  
 FAX: 330.297.5599

**SHUR-CO® of SOUTH DAKOTA**  
 1212 N. Norbeck St., Vermillion  
**605.658.1020**  
 FAX: 605.658.1022

**SHUR-CO® of ILLINOIS**  
 3993 E. Mueller Ave., Decatur  
**866.356.0246**  
 FAX: 217.877.8270

**SHUR-CO® of NORTH DAKOTA**  
 1746 4th Ave. NW, West Fargo  
**877.868.4488**  
 FAX: 701.277.1283

**SHUR-CO® UK Limited**  
 Rochester Airport Est., Unit 41  
 Laker Rd.  
 Rochester, Kent ME1 3QX  
 +44 (0) 1795.473499

## PRICING YOUR SYSTEM

### STANDARD v. OPTIONS

Each Shur-Co® tarp system comes with standard features. These are bulleted (●) and noted as **Standard** in bold type under STANDARD FEATURES AND OPTIONS, like the recessed tarp stops at right. Any change from standard features affects the cost of your system. This is noted as an “add,” “deduct” or no charge “N/C.”

Under TARP STOPS, if you replace the standard recessed tarp stops with flexible easy-off stops, for example, you’ll need to add to your total for each stop you order. If you replace them with 3” offset tarp stops, you would deduct for each stop.

If you have questions on options and upgrades, there is a complete list of photos and descriptions (see pgs. 37-40).

### STANDARD FEATURES AND OPTIONS

TARP STOPS	
Recessed Tarp Stops	Standard
● Easy-Off Tarp Stop w/Bracket - For Lip-Out Design	Add/Ea.
Easy-Off Tarp Stop w/o Bracket - For Lip-In Design	Add/Ea.
Flexible Easy-Off Tarp Stop w/Bracket - Lip-Out	Add/Ea.
Flexible Easy-Off Tarp Stop w/o Bracket - Lip-In	Add/Ea.
6" Offset Easy-Off Tarp Stop w/ Bracket- Lip-Out	Add/Ea.
6" Offset Easy-Off Tarp Stop w/o Bracket- Lip-In	Add/Ea.
3" Offset Tarp Stop	Deduct/Ea.

NOTE: All prices in this catalog are subject to change without notice. All components other than standard may require a non-refundable \$100 special processing fee. Call for details.

# SUPER DUTY SHUR-LOK® FOR GRAIN CARTS AND WAGONS



Start with your box dimensions from the chart below, rounding up as needed. Using the STANDARD FEATURES AND OPTIONS chart at right, add or deduct as instructed for any changes from the bulleted (●) standard equipment.

Note that if you have an angled extension, our fabric caps can fit it. To be sure of what you're ordering, check out illustrations of the various extensions (see Section 7, pg. 7, Figure 1).

## COMPLETE KITS Box Detail Sheet required; see Section 7

	BOX WIDTH							
	8'	8'6"	9'	10'	11'	12'	13'	14'
10'								
11'								
12'								
13'								
14'								
15'								
16'								
17'								
18'								
19'								
20'								
21'								
22'								
23'								
24'								
25'								
26'								
27'								
28'								
29'								
30'								

## HARDWARE QTY

STANDARD (102" or Less)	TARP STOPS	U-CLAMPS	STD BOWS
6' to 9'	2	6	2
10' to 14'	3	8	2
15' to 18'	3	8	3
19' to 22'	4	10	4
23' to 26'	4	10	5
27' to 30'	5	10	6
X-WIDE (103" or More)	TARP STOPS	U-CLAMPS	X-WIDE BOWS
6' to 9'	2	6	2
10' to 11'	3	8	2
12' to 15'	3	8	3
16' to 18'	3	10	4
19'	4	10	4
20' to 23'	4	10	5
24' to 26'	4	10	6
27'	5	10	6
28' to 30'	5	10	7

See REPLACEMENT TARPS, pg. 30.

## STANDARD FEATURES AND OPTIONS

LATCHPLATES	
● Aluminum Latchplate	Standard
TARP STOPS	
● Recessed Tarp Stops	Standard
Easy-Off Tarp Stop	Add/Ea.
Flexible Easy-Off Tarp Stop	Add/Ea.
6" Offset Easy-Off Tarp Stop	Add/Ea.
6" Offset Flexible Easy-Off Tarp Stop	Add/Ea.
Easy-Off Tarp Stop Bracket - Used on GC w/ Lip-Out Top Rail	Add/Ea.
Standard tarp Stop	Deduct/Ea.
3" Offset Tarp Stop	Deduct/Ea.
BOWS/BRAKETS	
● Galvanized Steel (LR/HR) Bows/Brackets - Standard 102" or Less	
● Galvanized Steel (HR/Flat*) Bows/Brackets - Standard 103" or More	
Adjustable Galv. Steel (LR/HR) Bow (102" or Less)	Add/Ea.
Add'l. Galvanized Steel (LR/HR) Bow (102" or Less)	Add/Ea.
Add'l. Adjustable Galv. Steel (LR/HR) Bow (102" or Less)	Add/Ea.
Add'l. Galvanized Steel (HR) Bow (103" or More)	Add/Ea.
Add'l. Galvanized Steel (Flat*) Bow (103" or More)	Add/Ea.
Adjustable Bow Bracket - For Slanted w/Angle Ext.	Add/Ea.
END CAPS	
● Galvanized Steel (LR/HR) End Cap** - Standard 102" or Less	
● Galvanized Steel (HR/Flat*) End Cap** - Standard 103" or More	
Fabric End Cap (102" or Less)	Add/Set
Fabric End Cap (103" or More)	Add/Set
Aluminum (LR/HR) End Cap (102" or Less)	Add/Set
RIDGE SUPPORTS	
● 1" Ridge Strap - Over 8'6" Gets 2	Standard
2" Ridge Strap	
Additional 1" or 2" Ridge Strap (25')	Add/Ea.
Additional 1" or 2" Ridge Strap (39')	Add/Ea.
No Ridge Strap	Deduct/Ea.
ROLL RETURNS	
● Stretch Cord Return	Standard
Shur-Return™ (102" or Less)	Add
Front Cable Return (102" or Less) - w/Metal Caps Only	Add
Front Cable Return (103" or More) - w/Metal Caps Only	Add
CRANK ARMS	
● Long Crank Arm (60") w/80" Extension	Standard
Standard Crank Arm (26-3/4") w/80" Extension	Deduct
Standard Crank Arm (26-3/4") w/96" Extension	
RETAINERS	
● Pinless Crank Retainer w/7" Standoff w/Universal Crank Retainer Support Kit	Standard
Pinless Crank Retainer w/2" Standoff	
Standard Crank Retainer w/2" Standoff	
Standard Crank Retainer w/7" Standoff	
No Universal Crank Retainer Support Kit	Deduct
TARP OPTIONS	
● 18-Oz. Vinyl Tarp - Choice of Color***	Standard
Multicolored Fabric (per added color)	Add
Tarp Reinforcements	Add/Ft.
OTHER OPTIONS	
GustBuster™ Cord Kit - GC (10' to 11') - 2 Cords	Add
GustBuster™ Cord Kit - GC (11' to 12') - 2 Cords	Add
GustBuster™ Cord Kit - GC (12' to 13') - 2 Cords	Add
Rear Cable Return - Use w/Metal Caps Only	Add
X-Wide Rear Cable Return - Use w/Metal Caps Only	Add
Molded Roll Tube Deflectors (2)	Add/Set
ACCESSORIES	
1102111 Standard Tarp Repair Kit	Add/Ea.
1108059 Professional Tarp Repair Kit	Add/Ea.
1111335 Bow Sock - 40oz Vinyl	Add/Ea.

\*Flat bows/caps work best installed on carts with tip-top extension. To ensure water shed-ability, do NOT install on carts without extensions.

\*\*Galvanized end caps - do NOT install on double-slant extension types.

\*\*\*Available colors are red, black, royal blue, white, yellow, green, grape, maroon, tan, or gray.

NOTE: Upgrade to 22-oz. vinyl fabric N/A for grain carts.

# SUPER DUTY SHUR-LOK® FOR FERTILIZER TENDERS AND SPREADERS



Start with your box dimensions from the chart below, rounding up as needed. Using the STANDARD FEATURES AND OPTIONS chart at right, add or deduct as instructed for any changes from the bulleted (●) standard equipment.

The use of stainless steel and powder-coated components will increase the durability of tarping systems in high-acid environments, like fertilizer hauling.

## COMPLETE KITS Box Detail Sheet required; see Section 7

	VALUE SERIES 18-OZ. TARP		SUPER DUTY 18-OZ. TARP		
	BOX WIDTH		BOX WIDTH		
	8'	8'6"	8'	8'6"	10'
10'					
11'					
12'					
13'					
14'					
15'					
16'					
17'					
18'					
19'					
20'					
21'					
22'					
23'					
24'					

## COMPLETE NEW LEADER KITS Manual Systems

PART #	BLACK TARP*	YELLOW TARP*	SIZE	CU. FT.
1117836	1900965	1900964	11' x 8'	200
1116981	1900967	1900966	11' x 10'	300
1117835	1900969	1900968	16' x 8'6"	345

\*Price includes tarp; choose black or yellow when ordering.  
NOTE: Additional sizes available upon request.

## HARDWARE QTY

SIZE	TARP STOPS	U-CLAMPS	STANDARD BOWS
10' to 14'	3	8	2
15' to 18'	3	8	3
19' to 22'	4	10	4
23' to 24'	4	10	5

See REPLACEMENT TARPS, pgs. 31-32.

## STANDARD FEATURES AND OPTIONS

LATCHPLATES	
● Aluminum Latchplate	Standard
TARP STOPS	
● Powder-Coated EO w/Stainless Stop Body	Standard
Easy-Off Tarp Stop w/Plated Steel Stop Body	Deduct/Ea.
Standard Plated Steel Tarp Stop	Deduct/Ea.
BOWS/BRACKETS	
● Stainless (LR/HR) Bows - Top Mount - Standard 102" or Less	
● Stainless (HR) Bows - Top Mount - Standard for 120"	
Stainless (LR/HR) Bow/Bracket - Std. Mt. (102" or Less)	Add/Ea.
Stainless (HR) Bow/Bracket - Std. Mount (120")	Add/Ea.
Galv. (LR/HR) Bow/Bracket - Std. Mt. (102" or Less)	Deduct/Ea.
Adjustable Galv. (LR/HR) Bow/Bracket (102" or Less)	Deduct/Ea.
Galvanized (HR) Bow/Bracket - Std. Mount (For 120")	Deduct/Ea.
No Stainless (LR/HR) Bow - Top Mount (102" or Less)	Deduct/Ea.
No Stainless (HR) Bow - Top Mount (120")	Deduct/Ea.
END CAPS	
● Stainless (LR/HR) End Caps - Standard 102" or Less	
● Stainless (HR) End Caps - Standard for 120"	
Aluminum (LR/HR) End Caps (102" or Less)	Deduct/Set
Aluminum (HR) End Caps (120")	Deduct/Set
Galvanized Steel (LR/HR) End Caps (102" or Less)	Deduct/Set
Galvanized Steel (HR) End Caps (120")	Deduct/Set
No Stainless (LR/HR) End Caps (102" or Less)	Deduct/Set
No Stainless (HR) End Caps (120")	Deduct/Set
RIDGE SUPPORTS	
● Stainless 1" Ridge Strap - Over 8'6" Gets 2	Standard
1" Ridge Strap w/Powder-Coated Components	Deduct/Ea.
1" Ridge Strap	Deduct/Ea.
Additional Stainless 1" Ridge Strap (Up to 24')	Add/Ea.
Add'l. 1" Ridge Strap w/PC Components (Up to 24')	Add/Ea.
Additional 1" Ridge Strap (25')	Add/Ea.
No Stainless Ridge Strap	Deduct/Ea.
ROLL RETURNS	
● Stretch Cord Return	Standard
Shur-Return™ (102" or Less)	Add
Front Cable Return (102" or Less)	Add
Front Cable Return (103" or More)	Add
CRANK ARMS	
● Standard Crank Arm (26-3/4") w/80" Extension	Standard
Standard Crank Arm (26-3/4") w/33" Extension	Deduct
Standard Crank Arm (26-3/4") w/96" Extension	Add
Long Crank Arm (60") w/80" Extension	Add
RETAINERS	
● Stainless Pinless Crank Retainer w/7" Standoff	Standard
Pinless Crank Retainer w/7" Standoff	Deduct
Crank Retainer w/7" Standoff	Deduct
Additional Stainless Crank Retainer w/Standoff	Add
Additional Crank Retainer w/Standoff	Add
TARP OPTIONS	
● 18-Oz. Vinyl Tarp - Choice of Color*	Standard
Value Series 18-Oz. - Black, Royal Blue or White**	Deduct
Multicolored Fabric (per added color)	Add
Tarp Reinforcements	Add/Ft.
OTHER OPTIONS	
Rear Cable Return - Use w/Metal Caps Only	Add
X-Wide Rear Cable Return - w/Metal Caps Only	Add
Standard Tarp Repair Kit	Add
Professional Tarp Repair Kit	Add
Bow Sock	Add/Ea.
Molded Roll Tube Deflectors (2)	Add/Set

\*Available colors: red, black, royal blue, white, yellow, green, grape, maroon, tan, or gray.

\*\*Value Series tarps N/A for systems over 102" wide.

See ELECTRICS, Section 2, for electric upgrades.



# SUPER DUTY SHUR-LOK® FOR FARM BODIES



Start with your box dimensions from the chart below, rounding up as needed. Using the STANDARD FEATURES AND OPTIONS chart at right, add or deduct as instructed for any changes from the bulleted (●) standard equipment.

An upgrade to aluminum easy-off caps offers easier installation and removal. These anchor with over-center clamps inside the truck box.

The Shur-Flex™ crank arm offers the flexibility to accommodate cargo doors or grain gates. It folds at the knuckle, securing with offset retainers. Use our pinless offset retainer for additional security and to eliminate pin-and-cable hassles.

## COMPLETE KITS Box Detail Sheet required; see Section 7

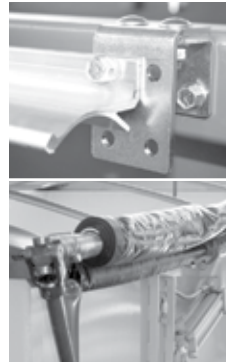
	VALUE SERIES 18-OZ. TARP	SUPER DUTY 18-OZ. TARP	SUPER DUTY 22-OZ. TARP	HIGH-LIFT END GATE*
10'				
11'				
12'				
13'				
14'				
15'				
16'				
17'				
18'				
19'				
20'				
21'				
22'				
23'				
24'				

\*Purchase high-lift option in addition to complete kit. See quantities needed for offset adjustable brackets per each stabilizer arm above right. Be sure to upgrade to 6" offset tarp stops if rear gate has external hinges.

## HARDWARE QTY

SIZE	TARP STOPS	U-CLAMPS	STANDARD BOWS	OFFSET ADJ. BRACKETS
10'	3	8	2	9
11' to 12'	3	8	2	10
13' to 14'	3	8	2	11
15' to 16'	3	8	3	12
17' to 18'	3	8	3	13
19' to 20'	4	10	4	15
21' to 22'	4	10	4	16
23' to 24'	4	10	5	17

## HIGH-LIFT END GATES



Our high-lift option is an offset adjustable bracket designed for use on farm bodies with high-lift end gates wider than the box. It lets latchplate and tarp stop be spaced out flush with the width of the end gate.

Use it every 2' or so along the top rail and at tarp stops. Adjusts from 2" to 3" to accommodate a range of gate widths. Bolt-on install, zinc plated for increased corrosion resistance. The rear stabilizer arm supports the fixed tube.



## SHUR-LOK® ELECTRIC

The ideal choice for existing Shur-Lok® systems and trailers up to 34', the Shur-Lok® Electric is available with either a front and rear bungee return or a front or rear cable return, steel components and light-duty motor. It offers rear spline capability and mounts on front (or rear by special order), accommodating sloped or vertical trailers. System works with minimal clearance and is easy to install and operate.

See ELECTRICS, Section 2, pg. 5, for the Shur-Lok® Electric.

# SUPER DUTY SHUR-LOK® FOR FARM BODIES

## STANDARD FEATURES AND OPTIONS

LATCHPLATES	
● Aluminum Latchplate	Standard
TARP STOPS	
● Easy-Off Tarp Stops	Standard
Standard Tarp Stop	Deduct/Ea.
Flexible Easy-Off Tarp Stop	Add/Ea.
6" Offset Easy-Off Tarp Stop	Add/Ea.
6" Offset Flexible Easy-Off Tarp Stop	Add/Ea.
BOWS/BRACKETS	
● Galvanized Steel (LR/HR) Bows/Brackets	Standard
Adjustable Galvanized Steel (LR/HR) Bow/Bracket	Add/Ea.
Add'l. Galvanized Steel (LR/HR) Bow	Add/Ea.
Add'l. Adjustable Galvanized (LR/HR) Bow/Bracket	Add/Ea.
No Galvanized Steel (LR/HR) Bow/Bracket	Deduct/Ea.
END CAPS	
● Aluminum (LR/HR) End Caps	Standard
Easy-Off Aluminum (LR/HR) Rear Cap	Add
Galvanized Steel (LR/HR) Rear Cap	Deduct
Fabric (LR/HR) Rear Cap	Add
Poorboy Rear Tapered Flap	
No Rear Cap	Deduct
Radius/Diagonal Aluminum (LR/HR) Front Cap	Add
Easy-Off Aluminum (LR/HR) Front Cap	Add
Galvanized Steel (LR/HR) Front Cap	Deduct
Aluminum (LR) Universal Front Cap	Add
Fabric (LR/HR) Front Cap	Add
No Front Cap	Deduct
RIDGE SUPPORTS	
● 1" Ridge Strap	Standard
2" Ridge Strap	
Additional 1" or 2" Ridge Strap (25')	Add/Ea.
No Ridge Strap	Deduct/Ea.
ROLL RETURNS	
● Stretch Cord Return	Standard
Shur-Return™	Add
Front Cable Return	Add
CRANK ARMS	
● Standard Crank Arm (26-3/4") w/80" Extension	Standard
Standard Crank Arm (26-3/4") w/96" Extension	Add
Long Crank Arm (60") w/80" Extension	Add
40" Shur-Flex™ Crank Arm w/Offset Retainer (4)	Add
40" Shur-Flex™ Crank w/Offset Pinless Retainer (4)	Add
54" Shur-Flex™ Crank Arm w/Offset Retainer (4)	Add
54" Shur-Flex™ Crank w/Offset Pinless Retainer (4)	Add
RETAINERS	
● Pinless Crank Retainer w/7" Standoff	Standard
Standard Crank Retainer w/7" Standoff	
Offset Crank Retainer* (2)	
Offset Pinless Crank Retainer* (2)	Add/Set
Additional Crank Retainer w/Standoff	Add

\*For use when pinless retainer with 7" standoff CANNOT be mounted.

## STANDARD FEATURES AND OPTIONS Continued

TARP OPTIONS	
● 18-Oz. Vinyl Tarp - Choice of Color**	Standard
Value Series 18-Oz. - Black, Royal Blue or White	Deduct
22-Oz. Vinyl Tarp - Choice of Color**	Add
Multicolored Fabric (Per Added Color)	Add
Tarp Reinforcements	Add/Ft.
OTHER OPTIONS	
GustBuster™ Cord Kit (8' to 9') - 2 Cords	Add
Rear Cable Return - Use w/Metal Caps Only	Add
Standard Tarp Repair Kit	Add
Professional Tarp Repair Kit	Add
Molded Roll Tube Deflectors (2)	Add/Set

\*\*Available colors: red, black, royal blue, white, yellow, green, orange, grape, maroon, tan, or gray. (Grape and Yellow N/A in 22 oz.)

## SHUR-FLEX™ CRANK ARM



Shur-Co's exclusive Shur-Flex™ crank arm allows you to store the crank on the side of the truck box rather than across the rear - avoiding obstacles like rear doors and gates. The lower portion of the arm allows the lower arm to pivot for storage parallel to the upper arm.

## EASY-OFF END CAPS



Ends caps provide a method of support for the roll tube to travel across during tarp operation. Shur-Co's easy-off caps are designed for quick and easy removal without the need for tools. These anchor securely with over-center clamps on the inside of the truck box for fast access.

## EASY-OFF TARP STOPS



Extends the life of tarp stops and tarps with reduced friction. Changes include a slightly taller height and patented curved end, which helps keep the tarp from getting hung up and rubbing on the stop. Helps to reduce wear on the tarp.



Constructed from cast aluminum to provide increased strength and better corrosion resistance. Stop is interchangeable with other Shur-Co® stops. Available in standard upright and 6" offset styles.



Start with your box dimensions from the chart below, rounding up as needed. If your trailer is tapered, use the bottom length for pricing. Using the STANDARD FEATURES AND OPTIONS chart at right, add or deduct as instructed for any changes from the bulleted (●) standard equipment.

Upgrading to the extendable spline assembly accommodates opening and closing doors. This necessitates an upgrade to your back cap; the Wil-Slip™ cap (see pg. 58) and those for the extendable spline assembly are deeper, with a cap depth of 26".

## COMPLETE KITS Box Detail Sheet required; see Section 7

VALUE SERIES 18-OZ. TARP	SUPER DUTY 18-OZ. TARP	DIAMOND CORE™ TARP*	SUPER DUTY 22-OZ. TARP
25'			
26'			
27'			
28'			
29'			
30'			
31'			
32'			
33'			
34'			
35'			
36'			
37'			
38'			
39'			
40'			
41'			
42'			
43'			
44'			
45'			
46'			
47'			
48'			
49'			
50'			
51'			
52'			
53'			
54'			

\*DiamondCore™ tarps are for grain trailers ONLY.

## HARDWARE QTY

SIZE	TARP STOPS	U-CLAMPS	STANDARD BOWS
25' to 26'	4	10	5
27' to 30'	5	10	6
31' to 34'	5	10	7
35' to 38'	6	14	8
39' to 43'	6	14	9
44' to 46'	7	16	10
47' to 50'	7	16	11
51' to 54'	8	18	12

See REPLACEMENT TARPS, pgs. 31-32.

## SUPERIOR FABRICS

In looking at the Tarp Options chart on the next page, top right, you will notice a wide variety of fabric choices. At Shur-Co®, we use the finest fabrics available, like solid vinyl with built-in UV inhibitors to reduce sun damage and fading.

**VALUE SERIES TARP.** This tarp is narrower, with shorter tensioning straps than the Super Duty version. Value Series is an economical choice with the same 12-month warranty as Super Duty but can limit the user's ability to tarp over heaped loads. Also, this tarp is only available in an 18-oz. fabric weight.

**SUPER-DUTY TARP.** This one-step-up tarp is available in two weights - 18 oz. and 22 oz. Wider than the Value Series tarp, it is built in the same fashion you see on most new grain trailers. The longer tensioning straps provide for improved tightening while the extra width makes tarping heaped loads easier. If you haul aggregates or something other than small grains, use of a Super-Duty 22-oz. tarp is recommended.

### DIAMONDCORE™ TARP.

This premium fabric - a Shur-Co® exclusive, features unparalleled abrasion resistance and ex-tra reinforcement

straps. Unlike diamonds, no tarp lasts forever, but DiamondCore™ has rock-solid quality backed by a 24-month warranty - the best in the industry. (ONLY available in black and ONLY for grain trailers.)

**CRX (Chemically Resistant eXtreme) TARP.** Originally known as Distiller's Grain Tarp, this fabric is highly resistant to solvent chemicals or products that have been changed by the extraction of oils to make feed-based products. CRXT fabric can be used in a wide variety of applications whose chemical composition present challenges that our standard 18-oz., 22-oz. and DiamondCore™ tarps are not designed to withstand without becoming stiff and brittle. The resulting premature cracking and tearing increases the need for more frequent tarp replacements - often six months or less for daily haulers.

CRXT fabric uses material formulated to be stable for superior UV protection, high-temp performance, chemical resistance and increased adhesion for longer tarp life in these applications. Shur-Co® recommends CRXT fabric for any trailer, including live-bottom floor, hopper bottom, end dump, belly dump, etc., that hauls distiller's grain in either a wet or dry application or other materials that might be chemically altered, especially where oils or other ingredients have been extracted from the original product makeup. CALL FOR PRICING.

No matter what type of fabric you choose, every lot is lab tested for tear strength, abrasion resistance and cold-temp flexibility.

## TARP WARRANTY

Our standard 12-month warranty covers normal use of tarps and warrants against premature wear from workmanship or material defects. In distiller's grain applications, or in use with other materials that have been chemically altered, 12-month warranty only applies to our CRX tarps. Other fabrics used in these applications will not be considered covered by warranty.

Our 24-month DiamondCore™ warranty also covers tearing on the stitching line from over torquing the tarp in the open/closed position for 24 months from the manufacture date. Warranty is void if used with any electric tarping system other than Shur-Co's.

# SUPER DUTY SHUR-LOK® FOR GRAIN TRAILERS

## STANDARD FEATURES AND OPTIONS

LATCHPLATES	
● Aluminum Latchplate	Standard
TARP STOPS	
● Easy-Off Tarp Stops	Standard
Standard Tarp Stop	Deduct/Ea.
Flexible Easy-Off Tarp Stop	Add/Ea.
6" Offset Easy-Off Tarp Stop	Add/Ea.
6" Offset Flexible Easy-Off Tarp Stop	Add/Ea.
BOWS/BRACKETS	
● Galvanized Steel (LR/HR) Bows/Brackets	Standard
Adjustable Galvanized Steel (LR/HR) Bow/Bracket	Add/Ea.
Add'l. Galvanized Steel (LR/HR) Bow/Bracket	Add/Ea.
Add'l. Adjustable Galvanized (LR/HR) Bow/Bracket	Add/Ea.
No Galvanized Steel (LR/HR) Bow/Bracket	Deduct/Ea.
END CAPS	
● Alum. Caps (LR/HR) w/Radius Corner Front Cap	Standard
Easy-Off Aluminum (LR/HR) Rear Cap	Add
Galvanized Steel (LR/HR) Rear Cap	Deduct
Fabric (LR/HR) Rear Cap	Add
Poorboy Rear Tapered Flap	
Back Cap (LR) w/Extendable Spline Assembly	Add
No Rear Cap	Deduct
Fixed Aluminum Square (LR/HR) Front Cap	Deduct
Easy-Off Aluminum (LR/HR) Front Cap	Add
Galvanized Steel (LR/HR) Front Cap	Deduct
Aluminum (LR) Universal Front Cap	Add
Fabric (LR/HR) Front Cap	Add
No Front Cap	Deduct
RIDGE SUPPORTS	
● 1" or 2" Ridge Strap	Standard
1" Stainless Ridge Strap	Add
Additional 1" or 2" Ridge Strap (39)**	Add/Ea.
Additional 1" or 2" Ridge Strap (46)**	Add/Ea.
Additional 1" or 2" Ridge Strap (56)**	Add/Ea.
Additional 1" Stainless Ridge Strap (41)**	Add/Ea.
Additional 1" Stainless Ridge Strap (48)**	Add/Ea.
Additional 1" Stainless Ridge Strap (56)**	Add/Ea.
No Ridge Strap	Deduct/Ea.
ROLL RETURNS	
● Stretch Cord Return	Standard
Shur-Return™	Add
Front Cable Return	Add
Cable Spool	Add
Universal Cable Guide	Add
CRANK ARMS	
● Standard Crank Arm (26-3/4") w/80" Extension	Standard
Standard Crank Arm (26-3/4") w/33" Extension	Deduct
Standard Crank Arm (26-3/4") w/96" Extension	Add
Long Crank Arm (60") w/80" Extension	Add
40" Shur-Flex™ Crank Arm w/Offset Retainer (4)	Add
40" Shur-Flex™ Crank w/Offset Pinless Retainer (4)	Add
54" Shur-Flex™ Crank Arm w/Offset Retainer (4)	Add
54" Shur-Flex™ Crank w/Offset Pinless Retainer (4)	Add
RETAINERS	
● Pinless Crank Retainer w/7" Standoff	Standard
Crank Retainer w/7" Standoff	
Offset Crank Retainer* (2)	
Offset Pinless Crank Retainer* (2)	Add/Set
Additional Crank Retainer w/Standoff	Add

\*For use when pinless retainer with 7" standoff CANNOT be mounted.

\*\*Reduce grain splatter; use two (2) ridge straps placed 11" off center or 22" apart.

## STANDARD FEATURES AND OPTIONS Continued

TARP OPTIONS	
● 18-Oz. Vinyl Tarp - Choice of Color***	Standard
Value Series 18-Oz. - Black, Royal Blue or White	Deduct
DiamondCore™ Tarp - Black Only	Add
22-Oz. Vinyl Tarp - Choice of Color***	Add
Multicolored Fabric (per added color)	Add
Active Decontamination Flap	Add/Ft.
Bow Reinforcements (10")	Add/Ea.
Tarp Reinforcements	Add/Ft.
Load Hole Flap	Add/Ea.
OTHER OPTIONS	
GustBuster™ Cord Kit GT (8' to 9') - 2 Cords	Add
GustBuster™ Cord Kit GT (8' to 9') - 3 Cords****	Add
Rear Cable Return - Use w/Metal Caps Only	Add
Standard Tarp Repair Kit	Add
Professional Tarp Repair Kit	Add
Bow Sock	Add/Ea.
Molded Roll Tube Deflectors (2)	Add/Set

\*\*\*Available colors: red, black, royal blue, white, yellow, green, orange, grape, maroon, tan, or gray. (Grape and Yellow N/A in 22 oz.)

\*\*\*\*Three (3) tarp cords are recommended for trailers over 43'.



### GUSTBUSTER™ TARP CORDS

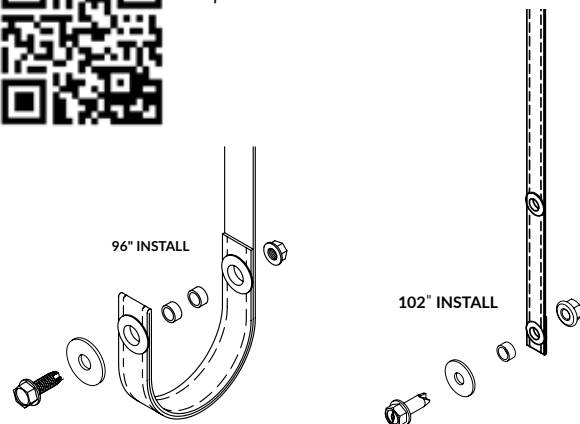
Exclusive GustBuster™ cords attach permanently to your trailer. Just bolt 'em on and you're done! Moisture-resistant polyester construction reduces the chance of dirt and grime getting embedded in the webbing to keep cords from turning brittle and abrasive. Durable stretch membrane is integrated throughout the webbing, so it won't bunch up on one side of

the trailer. Flat profile of the cords holds contact with the tarp, for better wear and extended tarp life.

Grommets are centered in the cord, for a balanced look and most secure attachment. Aluminum construction of both grommets and bushing helps prevent corrosion, upping the resistance factor, and matches the mounting screw for a sharper look.



Watch the GustBuster™ tarp cords in action!







Safety is a huge advantage of Shur-Co's double tarp system over a regular load hole tarp. With a double tarp system, you keep both feet on the ground while opening the top tarp and exposing the load holes underneath.

This system is also designed to provide the most watertight environment - it eliminates the need for Velcro® flaps and straps since the top tarp completely covers the load holes.

Start with your box dimensions from the chart below, rounding up as needed. Using the STANDARD FEATURES AND OPTIONS chart at right, add or deduct as instructed for any changes from the bulleted (●) standard equipment.

NOTE: 96" box width equals 109" finished bottom tarp width and 129" finished top tarp width. 102" box width equals 115" finished bottom tarp width and 135" finished top tarp width.

## COMPLETE KITS Box Detail Sheet required; see Section 7

	SUPER DUTY DBL 18-OZ.	SUPER DUTY DBL 22-OZ.
25'		
26'		
27'		
28'		
29'		
30'		
31'		
32'		
33'		
34'		
35'		
36'		
37'		
38'		
39'		
40'		
41'		
42'		
43'		
44'		
45'		
46'		
47'		
48'		
49'		
50'		
51'		
52'		
53'		
54'		

## HARDWARE QTY

SIZE	TARP STOPS	U-CLAMPS	STANDARD BOWS
25' to 26'	4	20	5
27' to 30'	5	20	6
31' to 34'	5	20	7
35' to 38'	6	28	8
39' to 43'	6	28	9
44' to 46'	7	32	10
47' to 50'	7	32	11
51' to 54'	8	36	12

See REPLACEMENT TARPS, pg. 33.

## STANDARD FEATURES AND OPTIONS

<b>LATCHPLATES</b>		
● Aluminum Latchplate (2 sets)		Standard
<b>TARP STOPS</b>		
● Easy-Off Tarp Stops		Standard
Flexible Easy-Off Tarp Stop		Add/Ea.
6" Offset Easy-Off Tarp Stop		Add/Ea.
6" Offset Flexible Easy-Off Tarp Stop		Add/Ea.
<b>BOWS/BRACKETS</b>		
● Galvanized Steel (LR/HR) Bows/Brackets		Standard
Adjustable Galvanized Steel (LR/HR) Bow/Bracket		Add/Ea.
Add'l. Galvanized Steel (LR/HR) Bow/Bracket*		Add/Ea.
Add'l. Adjustable Galvanized (LR/HR) Bow/Bracket*		Add/Ea.
<b>END CAPS</b>		
● Aluminum Caps (LR/HR) w/Radius Corner Front		Standard
Easy-Off Aluminum (LR/HR) Rear Cap		Add
Galvanized Steel (LR/HR) Rear Cap		Deduct
Fabric (LR/HR) Rear Cap		Add
Poorboy Rear Tapered Flap		
Back Cap (LR) w/Extendable Spline Assembly		Add
Fixed Aluminum Square (LR/HR) Front Cap		Deduct
Easy-Off Aluminum (LR/HR) Front Cap		Add
Galvanized Steel (LR/HR) Front Cap		Deduct
Aluminum (LR) Universal Front Cap		Add
<b>RIDGE SUPPORTS</b>		
● 1" or 2" Ridge Straps (2)		Standard
<b>ROLL RETURNS</b>		
● Front Cable Return (Top Tarp)		Standard
● Stretch Cord Return (Bottom Tarp)		Standard
Shur-Return™ (in lieu of Stretch Cord Ret. for Bottom Tarp)		Add
Cable Spool		Add
Universal Cable Guide		Add
<b>CRANK ARMS</b>		
● Standard Crank Arm (26-3/4") w/80" Extension (2)		Standard
Standard Crank Arm (26-3/4") w/96" Extension		Add
Long Crank Arm (60") w/80" Extension		Add
<b>RETAINERS</b>		
● Pinless Crank Retainer w/7" Standoff (2)		Standard
Crank Retainer w/7" Standoff		
Additional Crank Retainer w/Standoff		Add
<b>TARP OPTIONS</b>		
● 18-Oz. Vinyl Double Tarp - Choice of Color		Standard
Extra Load Hole** (18" Reinforced) - 2 Come Standard		Add/Ea.
Active Decontamination Flap		Add/Ft.
Bow Reinforcements (10")		Add/Ea.
Tarp Reinforcements		Add/Ft.
<b>ACCESSORIES</b>		
Rear Cable Return - Use w/Metal Caps Only		Add
Shock Cord Return (For Bottom Tarp Only)		Add
Molded Roll Tube Deflectors (2)		Add/Set

\*Additional bow recommended for each load hole on bottom tarp.

\*\*Two (2) reinforced load holes come standard; customer MUST specify locations.

# SUPER DUTY SHUR-LOK® DOUBLE TARP SYSTEM



Start with your box dimensions from the chart below, rounding up as needed. Using the STANDARD FEATURES AND OPTIONS chart at right, add or deduct as instructed for any changes from the bulleted (●) standard equipment.

NOTE: 96" box width equals 109" finished bottom tarp width and 129" finished top tarp width. 102" box width equals 115" finished bottom tarp width and 135" finished top tarp width.

## UPGRADE KITS Box Detail Sheet required; see Section 7

SUPER DUTY DBL 18-OZ.	
25'	
26'	
27'	
28'	
29'	
30'	
31'	
32'	
33'	
34'	
35'	
36'	
37'	
38'	
39'	
40'	
41'	
42'	
43'	
44'	
45'	
46'	
47'	
48'	
49'	
50'	
51'	
52'	
53'	
54'	

## HARDWARE QTY

SIZE	TARP STOPS	U-CLAMPS	STANDARD BOWS
25' to 26'	4	20	5
27' to 30'	5	20	6
31' to 34'	5	20	7
35' to 38'	6	28	8
39' to 43'	6	28	9
44' to 46'	7	32	10
47' to 50'	7	32	11
51' to 54'	8	36	12

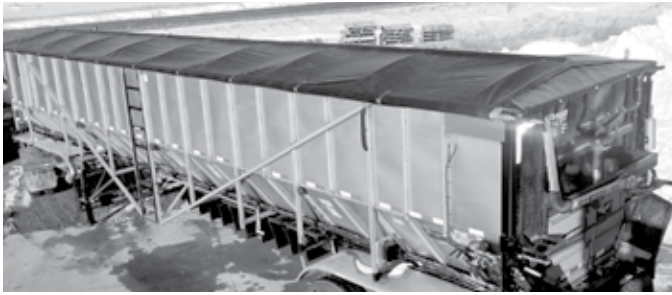
See REPLACEMENT TARPS, pg. 33.

## STANDARD FEATURES AND OPTIONS

LATCHPLATES	
● Aluminum Latchplate	Standard
BOWS/BRACKETS	
Add'l. Galvanized Steel (LR/HR) Bow/Bracket*	Add/Ea.
Add'l. Adjustable Galvanized (LR/HR) Bow/Bracket*	Add/Ea.
RIDGE SUPPORTS	
● 1" or 2" Ridge Strap	Standard
No Ridge Strap	Deduct
ROLL RETURNS	
● Front Cable Return	Standard
Stretch Cord Return	Deduct
Shur-Return™	Deduct
Cable Spool	Add
Universal Cable Guide	Add
CRANK ARMS	
● Standard Crank Arm (26-3/4") w/80" Extension	Standard
Standard Crank Arm (26-3/4") w/96" Extension	Add
Long Crank Arm (60") w/80" Extension	Add
RETAINERS	
Pinless Crank Retainer w/7" Standoff	Standard
Crank Retainer w/7" Standoff	
Additional Crank Retainer w/Standoff	Add
TARP OPTIONS	
18-Oz. Vinyl Double Tarp – Choice of Color	Standard
Extra Load Hole** (18" Reinforced) – 2 Come Standard	Add/Ea.
Active Decontamination Flap	Add/Ft.
Bow Reinforcements (10")	Add/Ea.
Tarp Reinforcements	Add/Ft.
OTHER OPTIONS	
Rear Cable Return - Use w/Metal Caps Only	Add
Shock Cord Return (For Bottom Tarp Only)	Add
Molded Roll Tube Deflectors (2)	Add/Set

\*Additional bow recommended for each load hole on bottom tarp.

\*\*Two (2) reinforced load holes come standard; customer MUST specify locations



Start with your box dimensions from the chart below, rounding up as needed. If your trailer is tapered, use the bottom length for pricing. Using the STANDARD FEATURES AND OPTIONS chart at right, add or deduct as instructed for any changes from the bulleted (●) standard equipment.

Live-bottom trailers can haul a variety of products, wet or dry. Kits come standard with Shur-Flex™ crank and offset retainers, to store the crank on the side, away from conveyor belt and gate. The Shur-Return™ is standard when selecting HD bows; all other bows use stretch cord return. No ridge strap is included with Durabow™. Upgrading to CRXT fabric can provide longer tarp life when hauling feed byproducts and distiller's grain.

**COMPLETE KITS** Box Detail Sheet required; see Section 7

	STANDARD BOWS	HD BOWS	TURNING POINT™	DURABOW™
24'				
25'				
26'				
27'				
28'				
29'				
30'				
31'				
32'				
33'				
34'				
35'				
36'				
37'				
38'				
39'				
40'				
41'				
42'				
43'				
44'				
45'				
46'				
47'				
48'				

**HARDWARE QTY**

SIZE	TARP STOPS	STANDARD BOWS	HD BOWS	TURNING POINT™	DURABOW™
24' to 26'	4	5	2	4	5
27' to 30'	5	6	2	5	6
31' to 34'	5	7	2	5	7
35' to 38'	6	8	3	6	8
39' to 43'	6	9	3	6	9
44' to 46'	7	10	3	7	10
47' to 48'	7	11	4	7	11

See REPLACEMENT TARPS, pgs. 31-32.

**STANDARD FEATURES AND OPTIONS**

<b>LATCHPLATES</b>	
● Aluminum Latchplate	Standard
<b>TARP STOPS</b>	
Easy-Off Tarp Stops	Standard
Standard Tarp Stop	Deduct/Ea.
Flexible Easy-Off Tarp Stop	Add/Ea.
6" Offset Easy-Off Tarp Stop	Add/Ea.
6" Offset Flexible Easy-Off Tarp Stop	Add/Ea.
<b>BOWS/BRACKETS</b>	
Turning Point™ Bow/Bracket* (For Alumatech Trailers)	Add
Adjustable Galvanized Steel (LR/HR) Bow/Bracket	Add/Ea.
No Galvanized Steel (LR/HR) Bow/Bracket	Deduct/Ea.
No Heavy-Duty Bow/Bracket	Deduct/Ea.
No Durabow™ Bow/Bracket	Deduct/Ea.
Aluminum Brackets - For Durabow™ (2)	Add/Set
<b>END CAPS</b>	
● Fabric (LR/HR) Front/Rear Caps	Standard
Combo Cap	
Poorboy Rear Tapered Flap	
No Rear Cap	Deduct
Aluminum (LR) Universal Front Cap	
Poorboy Front Tapered Flap	
Poorboy Front Radius/Diagonal Fitted Flap	
No Front Cap	Deduct
<b>RIDGE SUPPORTS</b>	
● 1" Ridge Strap - Standard on Standard Bow Kit	
● Ridgepole - Rollaway Standard on HD Kit, Pivoting Standard on TPB Kit	
Additional 1" or 2" Ridge Strap (39')	Add/Ea.
Additional 1" or 2" Ridge Strap (46')	Add/Ea.
Additional 1" or 2" Ridge Strap (56')	Add/Ea.
No Ridge Strap	Deduct/Ea.
<b>ROLL RETURNS</b>	
● Stretch Cord Return	Standard
● Shur-Return™ - Standard on HD Bow Kit	Add
Front Cable Return - For Front ONLY	Add
<b>CRANK ARMS</b>	
● 54" Shur-Flex™ Crank Arm	Standard
40" Shur-Flex™ Crank Arm	
80" Shur-Flex™ Crank Arm	Add
Standard Crank Arm (26-3/4") w/80" Extension	Deduct
Standard Crank Arm (26-3/4") w/96" Extension	Deduct
Long Crank Arm (60") w/80" Extension	Deduct
<b>RETAINERS</b>	
● Offset Crank Retainers (4) - Standard w/Shur-Flex™	
● Offset Crank Retainers (2) - Standard w/Std. Crank	
Offset Pinless Crank Retainers (4)	Add/Set
Offset Pinless Crank Retainers (2)	Add/Set
<b>TARP OPTIONS</b>	
● 22-Oz. Vinyl Tarp - Choice of Color**	Standard
CRXT Fabric***	Add
Multicolored Fabric (per added color)	Add
Bow Reinforcements (10")	Add
Tarp Reinforcements	Add/Ft.
Load Hole Flap	Add/Ea.
<b>OTHE OPTIONS</b>	
Standard Tarp Repair Kit	Add
Professional Tarp Repair Kit	Add
Molded Roll Tube Deflectors (2)	Add/Set

\*Turning Point™ bows/brackets are used for 39' Alumatech trailer ONLY.

\*\*Available colors: red, black, royal blue, white, green, orange, maroon, tan or gray.

\*\*\*CRXT fabric should be used for feed byproducts and distiller's grain. If a non-CRXT tarp is used for this purpose, there is NO warranty on the tarp.

NOTE: There is NO deduction in cost if you downgrade to 18-oz. fabric and NO warranty on the tarp.

# SUPER DUTY SHUR-LOK® FOR END DUMPS



Start with your box dimensions from the chart below, rounding up as needed. If your trailer is tapered, use the bottom length for pricing. Using the STANDARD FEATURES AND OPTIONS chart at right, add or deduct as instructed for any changes from the bulleted (●) standard equipment.

Standard and aluminum bow kits come with ridge strap; heavy-duty and Turning Point™ bow kits have a ridgepole. Durabow™ kits do NOT come with ridge support and are NOT recommended for low-rise applications. Heavy-duty bow kits come standard with Shur-Return™; all others have a stretch cord return.

## COMPLETE KITS Box Detail Sheet required; see Section 7

	STANDARD BOWS	HD BOWS	TURNING POINT™	DURABOW™	ALUM BOWS
20'					
21'					
22'					
23'					
24'					
25'					
26'					
27'					
28'					
29'					
30'					
31'					
32'					
33'					
34'					
35'					
36'					
37'					
38'					
39'					
40'					
41'					
42'					
43'					
44'					
45'					
46'					
47'					
48'					

## HARDWARE QTY

SIZE	TARP STOPS	STANDARD BOWS	HD BOWS	TURNING POINT™	DURA BOW™	ALUM BOWS
20'-22'	3	4	2	3	4	4
23'	3	4	2	3	5	4
24' to 26'	4	5	2	4	5	5
27' to 30'	5	6	2	5	6	6
31' to 34'	5	7	2	5	7	7
35' to 38'	6	8	3	6	8	8
39' to 43'	6	9	3	6	9	9
44' to 46'	7	10	3	7	10	10
47' to 48'	7	11	4	7	11	11

See REPLACEMENT TARPS, pgs. 31-32.

## STANDARD FEATURES AND OPTIONS

LATCHPLATES	
● Aluminum Latchplate	Standard
TARP STOPS	
● Easy-Off Tarp Stops	Standard
Standard Tarp Stop	Deduct/Ea.
Flexible Easy-Off Tarp Stop	Add/Ea.
6" Offset Easy-Off Tarp Stop	Add/Ea.
6" Offset Flexible Easy-Off Tarp Stop	Add/Ea.
BOWS/BRACKETS	
Turning Point™ Bow/Bracket* (For Alumatech Trailers)	Add
Adjustable Galvanized Steel (LR/HR) Bow/Bracket	Add/Ea.
No Galvanized Steel (LR/HR) Bow/Bracket	Deduct/Ea.
No Heavy-Duty Bow/Bracket	Deduct/Ea.
No Aluminum Bow/Bracket	Deduct/Ea.
No Durabow™ Bow/Bracket	Deduct/Ea.
Aluminum Brackets - For Durabow™ (2)	Add/Set
END CAPS	
● Fabric (LR/HR) Front/Rear Caps	Standard
Combo Cap	
Poorboy Rear Tapered Flap	
No Rear Cap	Deduct
Aluminum (LR) Universal Front Cap	
Poorboy Front Tapered Flap	
Poorboy Front Radius/Diagonal Fitted Flap	
No Front Cap	Deduct
RIDGE SUPPORTS	
● 1" Ridge Strap - Standard on Std. & Alum. Bow Kit	
● Ridgepole - Rollaway Standard on HD Kit, Pivoting Standard on TPB Kit	
Additional 1" or 2" Ridge Strap (39')	Add/Ea.
Additional 1" or 2" Ridge Strap (46')	Add/Ea.
Additional 1" or 2" Ridge Strap (56')	Add/Ea.
No Ridge Strap	Deduct/Ea.
ROLL RETURNS	
● Stretch Cord Return	Standard
● Shur-Return™ - Standard on HD Bow Kit	Add
CRANK ARMS	
● 54" Shur-Flex™ Crank Arm	Standard
40" Shur-Flex™ Crank Arm	
80" Shur-Flex™ Crank Arm	Add
Standard Crank Arm (26-3/4") w/80" Extension	Deduct
Standard Crank Arm (26-3/4") w/96" Extension	Deduct
Long Crank Arm (60") w/80" Extension	Deduct
RETAINERS	
● Offset Crank Retainers (4) - Standard w/Shur-Flex™	
● Offset Crank Retainers (2) - Standard w/Std. Crank	
Offset Pinless Crank Retainers (4)	Add/Set
Offset Pinless Crank Retainers (2)	Add/Set
TARP OPTIONS	
● 22-Oz. Vinyl Tarp - Choice of Color**	Standard
Multicolored Fabric (per added color)	Add
Bow Reinforcements (10")	Add
Tarp Reinforcements	Add/Ft.
Load Hole Flap	Add/Ea.
OTHER OPTIONS	
Standard Tarp Repair Kit	Add
Professional Tarp Repair Kit	Add
Bow Sock	Add/Ea.
Molded Roll Tube Deflectors (2)	Add/Set

\*Turning Point™ bows/brackets are used for 39' Alumatech trailer ONLY.

\*\*Available colors: red, black, royal blue, white, green, orange, maroon, tan or gray.

NOTE: There is NO deduction in cost if you downgrade to 18-oz. fabric and NO warranty on the tarp





Start with your box dimensions from the chart below, rounding up as needed. Using the STANDARD FEATURES AND OPTIONS chart at right, add or deduct as instructed for any changes from the bulleted (●) standard equipment.

Heavy-duty and Turning Point™ bow kits have a ridgepole; Durabow™ kits do NOT come with ridge support and are NOT recommended for low-rise applications. Heavy-duty bow kits come standard with Shur-Return™; all others have a stretch cord return.

Durabow™ flexes as the load is dumped but springs back up to support the tarp. These bows are perfect for operators hauling free-flowing aggregates like rock, sand and gravel.

The Turning Point™ bow system moves all of the bows as one, in a single motion, swinging them smoothly up and over loads without binding.

## COMPLETE KITS Box Detail Sheet required; see Section 7

	HEAVY DUTY BOWS	DURABOW™	TURNING POINT™
10'			
11'			
12'			
13'			
14'			
15'			
16'			
17'			
18'			
19'			
20'			
21'			
22'			
23'			
24'			

## HARDWARE QTY

SIZE	TARP STOPS	HD BOWS	DURA BOW™	TURNING POINT™	U-CLAMPS
10' to 14'	3	0	2	3	6
15' to 18'	3	1	3	3	6
19' to 22'	4	1	4	4	8
23' to 24'	4	1	5	4	8

See REPLACEMENT TARPS, pgs. 31-32.

## STANDARD FEATURES AND OPTIONS

LATCHPLATES	
● Aluminum Latchplate	Standard
TARP STOPS	
● Easy-Off Tarp Stops	Standard
Flexible Easy-Off Tarp Stop	Add/Ea.
6" Offset Easy-Off Tarp Stop	Add/Ea.
6" Offset Flexible Easy-Off Tarp Stop	Add/Ea.
BOWS/BRACKETS	
Additional Heavy-Duty Bow/Bracket	Add/Ea.
Aluminum Brackets - For Durabow™ (2)	Add/Set
END CAPS	
● Front (LR/HR) Heavy-Duty Bows/Brackets (2)*	Standard
● Poorboy Rear (LR/HR) Tapered Flap	Standard
Fabric Rear Cap	
No Poorboy Rear Tapered Flap	Deduct
Galvanized Steel Front Cap (Square Only)	Deduct
Aluminum Front Cap (Square Only)	Add
Aluminum (LR) Universal Front Cap	Add
Fabric Front Cap	Add
RIDGE SUPPORTS	
● Ridgepole - NOT Available on Durabow™ Kit	Standard
ROLL RETURNS	
● Stretch Cord Return	Standard
● Shur-Return™ - Standard on HD Bow Kit	Add
CRANK ARMS	
● 54" Shur-Flex™ Crank Arm	Standard
40" Shur-Flex™ Crank Arm w/Retainer	
Standard Crank Arm (26-3/4") w/33" Extension	Deduct
Standard Crank Arm (26-3/4") w/80" Extension	Deduct
Standard Crank Arm (26-3/4") w/96" Extension	Deduct
Long Crank Arm (60") w/80" Extension	Deduct
RETAINERS	
● Offset Crank Retainers (4) - Standard w/Shur-Flex™ Crank	
● Offset Crank Retainers (2) - Standard w/Standard Crank	
Offset Pinless Crank Retainers (4)	Add/Set
Offset Pinless Crank Retainers (2)	Add/Set
TARP OPTIONS	
● 22-Oz. Vinyl Tarp - Choice of Color**	Standard
Multicolored Fabric (per added color)	Add
Tarp Reinforcements	Add/Ft.
OTHER OPTIONS	
Standard Tarp Repair Kit	Add
Professional Tarp Repair Kit	Add
Bow Sock	Add/Ea.
Molded Roll Tube Deflectors (2)	Add/Set

\*These two (2) bows/brackets function as a front end cap on this system.

\*\*Available colors: red, black, royal blue, white, green, orange, maroon, tan or gray.

NOTE: There is NO deduction in cost if you downgrade to 18-oz. fabric and NO warranty on the tarp.

# SUPER DUTY SHUR-LOK® FOR BELLY DUMPS



Start with your box dimensions from the chart below, rounding up as needed. Using the STANDARD FEATURES AND OPTIONS chart at right, add or deduct as instructed for any changes from the bulleted (●) standard equipment.

Durabow™ kits do NOT come with ridge support and are NOT recommended for low-rise applications. Durabow™ kits come with a stretch cord return. The bows flex as the load is dumped, then spring back up to support the tarp. They are ideal for operators hauling free-flowing aggregates like rock, sand and gravel.

Heavy-duty bow kits have a Shur-Return™. These bows, in combination with the rollaway ridgepole, can be spaced up to 12' apart for additional loading room.

## COMPLETE KITS Box Detail Sheet required; see Section 7

HEAVY-DUTY BOWS	DURABOW™
10'	
11'	
12'	
13'	
14'	
15'	
16'	
17'	
18'	
19'	
20'	
21'	
22'	
23'	
24'	

## HARDWARE QTY

SIZE	TARP STOPS	HD BOWS	DURABOW™	U-CLAMPS
10' to 14'	3	0	2	6
15' to 18'	3	1	3	6
19' to 22'	4	1	4	8
23' to 24'	4	1	5	8

See REPLACEMENT TARPS, pgs. 31-32.

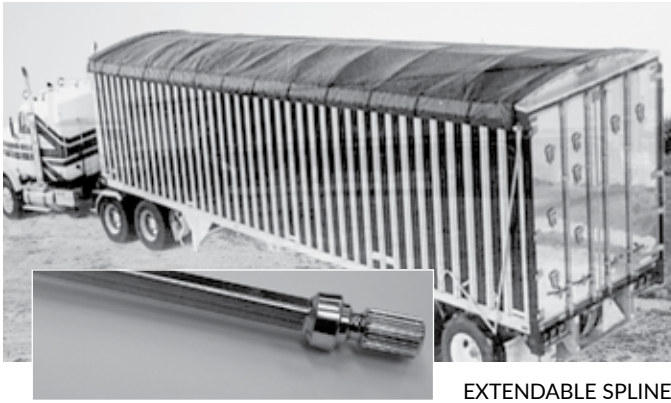
## STANDARD FEATURES AND OPTIONS

<b>LATCHPLATES</b>	
● Aluminum Latchplate	Standard
<b>TARP STOPS</b>	
● Easy-Off Tarp Stops – Standard on Durabow™ Kit	
● 6" Offset Easy-Off Tarp Stops – Standard on HD Kit	
Flexible Easy-Off Tarp Stop	Add/Ea.
6" Offset Easy-Off Tarp Stop	Add/Ea.
<b>BOWS/BRACKETS</b>	
Additional Heavy-Duty Bow/Bracket	Add/Ea.
Aluminum Brackets – For Durabow™ (2)	Add/Set
<b>END CAPS</b>	
● Aluminum (LR/HR) Caps	Standard
Galvanized Steel (LR/HR) Rear Cap	Deduct
Fabric (LR/HR) Rear Cap	Add
No Rear Cap	Deduct
Galvanized Steel (LR/HR) Front Cap	Deduct
Fabric (LR/HR) Front Cap	Add
No Front Cap	Deduct
<b>RIDGE SUPPORTS</b>	
● Ridgepole – NOT Available on Durabow™ Kit	Standard
<b>ROLL RETURNS</b>	
● Shur-Return™ – Standard on HD Bow Kit	
● Stretch Cord Return – Standard on Durabow™ Kit	
<b>CRANK ARMS</b>	
● 96" Shur-Flex™ Crank Arm	Standard
80" Shur-Flex™ Crank Arm	
Standard Crank Arm (26-3/4") w/80" Extension	Deduct
Standard Crank Arm (26-3/4") w/96" Extension	Deduct
<b>RETAINERS</b>	
● Offset Crank Retainers (4) – Standard w/Shur-Flex™ Crank	
● Offset Crank Retainers (2) – Standard w/Standard Crank	
Offset Pinless Crank Retainers (4)	Add/Set
Offset Pinless Crank Retainers (2)	Add/Set
<b>TARP OPTIONS</b>	
● 22-Oz. Vinyl Tarp – Choice of Color*	Standard
Multicolored Fabric (per added color)	Add
Tarp Reinforcements	Add/Ft.
<b>OTHER OPTIONS</b>	
Standard Tarp Repair Kit	Add
Professional Tarp Repair Kit	Add
Bow Sock	Add/Ea.
Molded Roll Tube Deflectors (2)	Add/Set

\*Available colors: red, black, royal blue, white, green, orange, maroon, tan or gray.

NOTE: There is NO deduction in cost if you downgrade to 18-oz. fabric and NO warranty on the tarp.

# SUPER DUTY SHUR-LOK® FOR OPEN-TOP VANS WITH 2" ROLL TUBE



EXTENDABLE SPLINE

Start with your box dimensions from the chart below, rounding up as needed. Using the STANDARD FEATURES AND OPTIONS chart at right, add or deduct as instructed for any changes from the bulleted (●) standard equipment.

These kits do NOT include bows. Adding heavy-duty flat bows will reduce interference from loaders – perfect for open-top vans maxed out on height allowance. **Durabows are NOT recommended for low-rise applications.** The bows flex as the load is dumped, then spring back up to support the tarp.

Upgrading to the extendable spline assembly accommodates the opening and closing of doors – ideal for belted floor and “barn door” trailers. This necessitates an upgrade to your back cap; (see pg. 54). Caps for the extendable spline assembly have a 26" cap depth.

## COMPLETE KITS Box Detail Sheet required; see Section 7

	SUPER DUTY 18-OZ. TARP	SUPER DUTY 22-OZ. TARP
28'		
30'		
32'		
34'		
36'		
38'		
40'		
42'		
44'		
46'		
48'		
50'		
52'		
54'		

## HARDWARE QTY

SIZE	TARP STOPS	U-CLAMPS	STANDARD BOWS	HEAVY-DUTY BOWS
28' to 30'	5	10	6	2
31' to 34'	5	10	7	2
35' to 38'	6	14	8	3
39' to 43'	6	14	9	3
44' to 46'	7	16	10	3
47' to 50'	7	16	11	4
51' to 54'	8	18	12	4

See REPLACEMENT TARPS, pgs. 31-32.

\*Available colors: red, black, royal blue, white, yellow, green, orange, grape, maroon, tan, or gray. (Grape and Yellow N/A in 22 oz.)

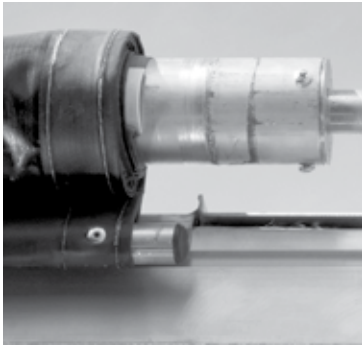
\*\*Inserts smaller than standard size will be priced the same. If larger than standard, a special quote will be needed.

## STANDARD FEATURES AND OPTIONS

<b>LATCHPLATES</b>	
● Aluminum Latchplate	Standard
<b>TARP STOPS</b>	
● 6" Offset Easy-Off Tarp Stops	Standard
6" Offset Flexible Easy-Off Tarp Stop	Add/Ea.
6" Offset Belt Flex Tarp Stop	Add/Ea.
Easy-Off Tarp Stop	Deduct/Ea.
Flexible Easy-Off Tarp Stop	Add/Ea.
Easy-Off Belt Flex Tarp Stop	
Standard Tarp Stop	Deduct/Ea.
<b>BOWS/BRACKETS</b>	
Galvanized Steel (Flat/LR) Bow/Bracket	Add/Ea.
Adjustable Galvanized Steel (LR/HR) Bow/Bracket	Add/Ea.
Durabow™ w/Steel Bracket	Add/Ea.
Durabow™ w/Aluminum Bracket	Add/Ea.
Heavy-Duty (Flat/LR) Bows/Bracket	Add/Ea.
Aluminum Bow/Bracket	Add/Ea.
<b>END CAPS</b>	
● Aluminum (Flat) Square End Caps	Standard
Fixed Aluminum (LR) Rear Cap	Add
Galvanized Steel (LR) Rear Cap	
Fabric (LR) Rear Cap	Add
Poorboy Rear Tapered Flap	
No Rear Cap (Flat)	Deduct
Back Cap (LR) w/Extendable Spline Assembly	Add
Back Cap (Flat) w/Extendable Spline Assembly	Add
Fixed Aluminum (LR) Front Cap	
Aluminum (Flat/LR) Radius/Diagonal Front Cap	Add
Aluminum (Flat/LR) Universal Front Cap	Add
Galvanized Steel (LR) Front Cap	Deduct
Fabric (LR) Front Cap	Add
Poorboy Front Tapered Flap	
Poorboy Front Radius/Diagonal Fitted Flap	Add
No Front Cap (Flat)	Deduct
<b>RIDGE SUPPORTS</b>	
1" or 2" Ridge Strap (39')	Add/Ea.
1" or 2" Ridge Strap (46')	Add/Ea.
1" or 2" Ridge Strap (56')	Add/Ea.
<b>ROLL RETURNS</b>	
● Shur-Return™	Standard
Stretch Cord Return	Deduct
Front Cable Return	Add
Heavy-Duty Arm Return	Add
<b>CRANK ARMS</b>	
● 96" Shur-Flex™ Crank Arm	Standard
54" Shur-Flex™ Crank Arm	
80" Shur-Flex™ Crank Arm	
Standard Crank Arm (26-3/4") w/33" Extension	Deduct
Standard Crank Arm (26-3/4") w/80" Extension	Deduct
Standard Crank Arm (26-3/4") w/96" Extension	Deduct
Long Crank Arm (60") w/80" Extension	Deduct
<b>RETAINERS</b>	
● Offset Crank Retainers (4) – Standard w/Shur-Flex™ Crank	
● Offset Crank Retainers (2) – Standard w/Standard Crank	
Offset Pinless Crank Retainers (4)	Add/Set
Offset Pinless Crank Retainers (2)	Add/Set
<b>TARP OPTIONS</b>	
● 18-Oz. Vinyl Tarp – Choice of Color*	Standard
22-Oz. Vinyl Tarp – Choice of Color*	Add
Multicolored Fabric (per added color)	Add
Mesh Insert (72" x 26)**	Add/Ea.
Tarp Reinforcements	Add/Ft.
<b>OTHER OPTIONS</b>	
Rear Cable Return - Use w/Metal Caps Only	Add
Standard Tarp Repair Kit	Add
Professional Tarp Repair Kit	Add
Bow Sock	Add/Ea.
Molded Roll Tube Deflectors (2)	Add/Set

See asterisk notes at left.

# SUPER DUTY SHUR-LOK® FOR OPEN-TOP VANS WITH 3" ROLL TUBE



Our 3" aluminum roll tube has less deflection than the 2" galvanized tube although its heavy-duty construction does not make it lighter. The 3" tube will roll a little faster, but it sacrifices torque to do so. This is a good choice for refuse or chip haulers who can make do with few bows or none at all.

Start with your box dimensions from the chart below, rounding up as needed. Then use the STANDARD FEATURES AND OPTIONS chart at right, adding or deducting as instructed for any changes from the bulleted (●) standard equipment.

These kits do NOT include bows. Adding heavy-duty flat bows will reduce interference from loaders – perfect for open-top vans maxed out on height allowance. **Durabows are NOT recommended for low-rise applications.** The heavy-duty bows support the tarp.

## COMPLETE KITS Box Detail Sheet required; see Section 7

	SUPER DUTY 18-OZ. TARP	SUPER DUTY 22-OZ. TARP
28'		
30'		
32'		
34'		
36'		
38'		
40'		
42'		
44'		
46'		
48'		
50'		
52'		
54'		

## HARDWARE QTY

SIZE	TARP STOPS	U-CLAMPS	STANDARD BOWS	HEAVY-DUTY BOWS
28' to 30'	5	10	6	2
31' to 34'	5	10	7	2
35' to 38'	6	14	8	3
39' to 43'	6	14	9	3
44' to 46'	7	16	10	3
47' to 50'	7	16	11	4
51' to 54'	8	18	12	4

See REPLACEMENT TARPS, pgs. 31-32.

## STANDARD FEATURES AND OPTIONS

LATCHPLATES	
● Aluminum Latchplate	Standard
TARP STOPS	
● 6" Offset Easy-Off Tarp Stops	Standard
6" Offset Flexible Easy-Off Tarp Stop	Add/Ea.
6" Offset Belt Flex Tarp Stop	Add/Ea.
Easy-Off Tarp Stop	Deduct/Ea.
Flexible Easy-Off Tarp Stop	Add/Ea.
Easy-Off Belt Flex Tarp Stop	
Standard Tarp Stop	Deduct/Ea.
BOWS/BRACKETS	
Galvanized Steel (Flat/LR) Bow/Bracket	Add/Ea.
Adjustable Galvanized Steel (LR/HR) Bow/Bracket	Add/Ea.
Durabow™ w/Steel Bracket	Add/Ea.
Durabow™ w/Aluminum Bracket	Add/Ea.
Heavy-Duty (Flat/LR) Bow/Bracket	Add/Ea.
Aluminum Bow/Bracket	Add/Ea.
END CAPS	
● Aluminum (Flat) Square End Caps	Standard
Fixed Aluminum (LR) Rear Cap	Add
Galvanized Steel (LR) Rear Cap	
Fabric (LR) Rear Cap	Add
Poorboy Rear Tapered Flap	
No Rear Cap (Flat)	Deduct
Fixed Aluminum (LR) Front Cap	
Aluminum (Flat/LR) Radius/Diagonal Front Cap	Add
Aluminum (Flat/LR) Universal Front Cap	Add
Galvanized Steel (LR) Front Cap	Deduct
Fabric (LR) Front Cap	Add
Poorboy Front Tapered Flap	
Poorboy Front Radius/Diagonal Fitted Flap	Add
No Front Cap (Flat)	Deduct
RIDGE SUPPORTS	
1" or 2" Ridge Strap (39')	Add/Ea.
1" or 2" Ridge Strap (46')	Add/Ea.
1" or 2" Ridge Strap (56')	Add/Ea.
ROLL RETURNS	
● Shur-Return™	Standard
Stretch Cord Return	Deduct
Front Cable Return	Add
Heavy-Duty Arm Return	Add
CRANK ARMS	
● 96" Shur-Flex™ Crank Arm	Standard
54" Shur-Flex™ Crank Arm	
80" Shur-Flex™ Crank Arm	
Standard Crank Arm (26-3/4") w/33" Extension	Deduct
Standard Crank Arm (26-3/4") w/80" Extension	Deduct
Standard Crank Arm (26-3/4") w/96" Extension	Deduct
Long Crank Arm (60") w/80" Extension	Deduct
RETAINERS	
● Offset Crank Retainers (4) – Standard w/Shur-Flex™ Crank	
● Offset Crank Retainers (2) – Standard w/Standard Crank	
Offset Pinless Crank Retainers (4)	Add/Set
Offset Pinless Crank Retainers (2)	Add/Set
TARP OPTIONS	
● 18-Oz. Vinyl Tarp – Choice of Color*	Standard
22-Oz. Vinyl Tarp – Choice of Color*	Add
Multicolored Fabric (per added color)	Add
Mesh Insert 72" x 26'*	Add/Ea.
Tarp Reinforcements	Add/Ft.
OTHER OPTIONS	
Rear Cable Return - Use w/Metal Caps Only	Add
Bow Sock	Add/Ea.
Molded Roll Tube Deflectors (2)	Add/Set

\*Available colors: red, black, royal blue, white, yellow, green, orange, grape, maroon, tan, or gray. (Grape and Yellow N/A in 22 oz.)

\*\*Inserts smaller than standard size will be priced the same. If larger than standard, a special quote will be needed.



# SUPER DUTY SHUR-LOK® FOR CHIP TRAILERS WITH 3" ROLL TUBE



Start with your box dimensions from the chart below, rounding up as needed. Using the STANDARD FEATURES AND OPTIONS chart at right, add or deduct as instructed for any changes from the bulleted (●) standard equipment.

These kits do NOT include bows. Adding heavy-duty flat bows will reduce interference from loaders – perfect for open-top vans maxed out on height allowance. The heavy-duty bows support the tarp.

Once the trailer is loaded with chips or residue, the driver will need to cover the load, and with Shur-Lok's one-person operation, this is accomplished – safely and easily – from the ground.

## COMPLETE KITS Box Detail Sheet required; see Section 7

SUPER DUTY 18-OZ. TARP	MESH TARP
38'	
40'	
42'	
44'	
46'	
48'	
50'	
52'	
54'	

## HARDWARE QTY

SIZE	TARP STOPS	U-CLAMPS	STANDARD BOWS	HEAVY-DUTY BOWS
38'	6	14	8	3
39' to 43'	6	14	9	3
44' to 46'	7	16	10	3
47' to 50'	7	16	11	4
51' to 54'	8	18	12	4

See REPLACEMENT TARPS, pgs. 31-32.

## STANDARD FEATURES AND OPTIONS

LATCHPLATES	
● Aluminum Latchplate	Standard
TARP STOPS	
● 6" Offset Belt Flex™ Tarp Stops	Standard
6" Offset Flexible Easy-Off Tarp Stop	Deduct/Ea.
6" Offset Easy-Off Tarp Stop	Deduct/Ea.
Easy-Off Belt Flex™ Tarp Stop	Deduct/Ea.
Flexible Easy-Off Tarp Stop	Deduct/Ea.
Easy-Off Tarp Stop	Deduct/Ea.
BOWS/BRACKETS	
Galvanized Steel (Flat/LR) Bow/Bracket	Add/Ea.
Adjustable Galvanized Steel (LR/HR) Bow/Bracket	Add/Ea.
Heavy-Duty (Flat/LR) Bow/Bracket	Add/Ea.
END CAPS	
● Aluminum Caps (Flat) w/Radius/Diagonal Front	Standard
Fixed Aluminum (LR) Rear Cap	Add
Galvanized Steel (LR) Rear Cap	
Poorboy Rear Tapered Flap	
No Rear Cap (Flat)	Deduct
Fixed Aluminum (LR) Front Cap	Deduct
Aluminum (LR) Radius/Diagonal Front Cap	
Aluminum (Flat/LR) Universal Front Cap	Add
Galvanized Steel (LR) Front Cap	Deduct
Poorboy Front Tapered Flap	Deduct
No Front Cap (Flat)	Deduct
RIDGE SUPPORTS	
1" or 2" Ridge Strap (39')	Add/Ea.
1" or 2" Ridge Strap (46')	Add/Ea.
1" or 2" Ridge Strap (56')	Add/Ea.
ROLL RETURNS	
● Shur-Return™	Standard
Stretch Cord Return	Deduct
Front Cable Return	Add
Heavy-Duty Arm Return	Add
CRANK ARMS	
● 96" Shur-Flex™ Crank Arm	Standard
54" Shur-Flex™ Crank Arm	
80" Shur-Flex™ Crank Arm	
Standard Crank Arm (26-3/4") w/33" Extension	Deduct
Standard Crank Arm (26-3/4") w/80" Extension	Deduct
Standard Crank Arm (26-3/4") w/96" Extension	Deduct
Long Crank Arm (60") w/80" Extension	Deduct
RETAINERS	
● Offset Crank Retainers (4) – Standard w/Shur-Flex™ Crank	
● Offset Crank Retainers (2) – Standard w/Standard Crank	
Offset Pinless Crank Retainers (4)	Add/Set
Offset Pinless Crank Retainers (2)	Add/Set
TARP OPTIONS	
● Mesh Tarp*	Standard
18-Oz. Vinyl Tarp – Choice of Color**	Deduct
Multicolored Fabric (per added color)	Add
Mesh Insert (72" x 26')***	Add/Ea.
Tarp Reinforcements	Add/Ft.
OTHER OPTIONS	
Rear Cable Return - Use w/Metal Caps Only	Add
Standard Tarp Repair Kit	Add
Professional Tarp Repair Kit	Add
Bow Sock	Add/Ea.
Molded Roll Tube Deflectors (2)	Add/Set

\*Available in black only.

\*\*Available colors: red, black, royal blue, white, yellow, green, maroon, tan, or gray.

\*\*\*Inserts smaller than standard size will be priced the same. If larger than standard, a special quote will be needed.

# SUPER DUTY SHUR-LOK® FOR REFUSE TRAILERS WITH 3" ROLL TUBE

Start with your box dimensions from the chart below, rounding up as needed. Using the STANDARD FEATURES AND OPTIONS chart at right, add or deduct as instructed for any changes from the bulleted (●) standard equipment.

These kits do NOT include bows and none are available as an option in this particular application. Tarp refuse quickly and safely from the ground – no more climbing all over the trailer. Stick with our 18-oz. vinyl tarp for water-tight protection, or upgrade to mesh for loads requiring containment but not moisture protection. Adds excellent air circulation to your operation.

## COMPLETE KITS Box Detail Sheet required; see Section 7

	SUPER DUTY 18-OZ. TARP	MESH TARP
38'		
40'		
42'		
44'		
46'		
48'		
50'		
52'		
54'		

## HARDWARE QTY

SIZE	TARP STOPS	U-CLAMPS
38'	6	14
39' to 43'	6	14
44' to 46'	7	16
47' to 50'	7	16
51' to 54'	8	18

See REPLACEMENT TARPS, pgs. 31-32.

## STANDARD FEATURES AND OPTIONS

LATCHPLATES	
● Aluminum Latchplate	Standard
TARP STOPS	
● 6" Offset Belt Flex™ Tarp Stops	Standard
6" Offset Flexible Easy-Off Tarp Stop	Deduct/Ea.
6" Offset Easy-Off Tarp Stop	Deduct/Ea.
Easy-Off Belt Flex™ Tarp Stop	Deduct/Ea.
Flexible Easy-Off Tarp Stop	Deduct/Ea.
Easy-Off Tarp Stop	Deduct/Ea.
END CAPS	
● Aluminum (Flat) End Caps	Standard
Fixed Aluminum (LR) Rear Cap	Add
Galvanized Steel (LR) Rear Cap	
Fabric (LR) Rear Cap	Add
Poorboy Rear Tapered Flap	
No Rear Cap (Flat)	Deduct
Fixed Aluminum Square (LR) Front Cap	
Aluminum (LR) Radius/Diagonal Front Cap	Add
Aluminum (Flat/LR) Universal Front Cap	Add
Galvanized Steel (LR) Front Cap	Deduct
Fabric (LR) Front Cap	Add
Poorboy Front Tapered Flap	
Poorboy Front Radius/Diagonal Fitted Flap	Add
No Front Cap (Flat)	Deduct
RIDGE SUPPORTS	
1" or 2" Ridge Strap (39')	Add/Ea.
1" or 2" Ridge Strap (46')	Add/Ea.
1" or 2" Ridge Strap (56')	Add/Ea.
ROLL RETURNS	
● Shur-Return™	Standard
Stretch Cord Return	Deduct
Front Cable Return	Add
Heavy-Duty Arm Return	Add
CRANK ARMS	
● 96" Shur-Flex™ Crank Arm	Standard
54" Shur-Flex™ Crank Arm	
80" Shur-Flex™ Crank Arm	
Standard Crank Arm (26-3/4") w/33" Extension	Deduct
Standard Crank Arm (26-3/4") w/80" Extension	Deduct
Standard Crank Arm (26-3/4") w/96" Extension	Deduct
Long Crank Arm (60") w/80" Extension	Deduct
RETAINERS	
● Offset Crank Retainers (4) – Standard w/Shur-Flex™ Crank	
● Offset Crank Retainers (2) – Standard w/Standard Crank	
Offset Pinless Crank Retainers (4)	Add/Set
Offset Pinless Crank Retainers (2)	Add/Set
TARP OPTIONS	
● 18-Oz. Vinyl Tarp – Choice of Color*	Standard
Mesh Tarp – Choice of Color**	Add
Multicolored Fabric (per added color)	Add
Mesh Insert (72" x 26')***	Add/Ea.
Tarp Reinforcements	Add/Ft.
ACCESSORIES	
Rear Cable Return - Use w/Metal Caps Only	Add
Standard Tarp Repair Kit	Add
Professional Tarp Repair Kit	Add
Molded Roll Tube Deflectors (2)	Add/Set

\*Available colors: red, black, royal blue, white, yellow, green, maroon, tan, or gray.

\*\*Available colors: red or black.

\*\*\*Inserts smaller than standard size will be priced the same. If larger than standard, a special quote will be needed.

# SUPER DUTY SHUR-LOK® FOR SILAGE BOXES WITH 3" ROLL TUBE

Start with your box dimensions from the chart below, rounding up as needed. Using the STANDARD FEATURES AND OPTIONS chart at right, add or deduct as instructed for any changes from the bulleted (●) standard equipment.

These kits do NOT include bows, which allows silage to be blown in without interference. When pulling trailer, empty tarp system must be in open position to protect against tarp wear. Adding heavy-duty or galvanized steel bow will help protect against tarp wear if tarp is closed during transit.

Once trailer is loaded with silage, driver will need to cover the load, which is safely and easily accomplished – from the ground – with Shur-Lok's one-person operation. If system cannot be operated manually, then our 4500 Series HD with Shur-Strap™ return will give you a powerful American-made motor and super-strong torsion arm that opens and closes the tarp with smooth, consistent tension.

For more information and for pricing on both the Super Duty Shur-Lok® for silage boxes and the 4500 Series HD with Shur-Strap™ return, please give us a call.

## COMPLETE KITS Box Detail Sheet required; see Section 7

SUPER DUTY 18-OZ. TARP	
25'	CALL
26'	CALL
27'	CALL
28'	CALL
29'	CALL
30'	CALL
31'	CALL
32'	CALL
33'	CALL
34'	CALL
35'	CALL
36'	CALL
37'	CALL
38'	CALL
39'	CALL
40'	CALL
41'	CALL
42'	CALL
43'	CALL

## HARDWARE QTY

SIZE	TARP STOPS	U-CLAMPS	STD BOWS	HD BOWS
25' to 26'	4	10	5	2
27' to 30'	5	10	6	2
31' to 34'	5	10	7	2
35' to 38'	6	14	8	3
39' to 43'	6	14	9	3

See REPLACEMENT TARPS, pgs. 31-32.

## STANDARD FEATURES AND OPTIONS

<b>LATCHPLATES</b>	
● Aluminum Latchplate – Side Mount	Standard
Latchplate Spacer Kit	Add
<b>TARP STOPS</b>	
● 6" Offset Easy-Off Tarp Stops	Standard
6" Offset Flexible Easy-Off Tarp Stop	Add/Ea.
6" Offset Easy-Off Belt Flex™ Tarp Stop	Add/Ea.
Easy-Off Tarp Stop	Deduct/Ea.
Flexible Easy-Off Tarp Stop	Deduct/Ea.
Easy-Off Belt Flex™ Tarp Stop	Deduct/Ea.
<b>BOWS/BRACKETS*</b>	
Galvanized Steel (HR) Bow/Bracket	Add/Ea.
Heavy-Duty (HR) Bow/Bracket	Add/Ea.
<b>END CAPS</b>	
● Aluminum (HR) End Caps	Standard
<b>RIDGE SUPPORTS</b>	
1" or 2" Ridge Strap (39')	Add/Ea.
1" or 2" Ridge Strap (46')	Add/Ea.
<b>ROLL RETURNS**</b>	
Front Cable Return	Add
Stretch Cord Return	Add
Shur-Return™	Add
<b>CRANK ARMS**</b>	
96" Shur-Flex™ Crank Arm	Add
80" Shur-Flex™ Crank Arm	Add
54" Shur-Flex™ Crank Arm	Add
<b>RETAINERS**</b>	
Offset Crank Retainers (4)	Add/Set
Offset Pinless Crank Retainers (2)	Add/Set
<b>TARP OPTIONS</b>	
● 18-Oz. Vinyl Tarp – Choice of Color***	Standard
Multicolored Fabric (per added color)	Add
Tarp Reinforcements	Add/Ft.
<b>ACCESSORIES</b>	
Standard Tarp Repair Kit	Add
Professional Tarp Repair Kit	Add
Molded Roll Tube Deflectors (2)	Add/Set

\*If kit is ordered without bows, you MUST run empty with the tarp OPEN.

\*\*Manual crank operation is available ONLY if top rail is at same height as rear gate.

\*\*\*Available colors: red, black, royal blue, white, yellow, green, maroon, tan, or gray.

NOTE: Single-arm 4500 Series HD w/Shur-Strap™ MUST be ordered if rear gate extends past top rail. See Section 2 – ELECTRICS for more information.

# PREMIUM BELT 'N RATCHET FOR GRAIN TRAILERS



Start with your box dimensions from the chart below, rounding up as needed. Using the STANDARD FEATURES AND OPTIONS chart at right, add or deduct as instructed for any changes from the bulleted (●) standard equipment.

## COMPLETE KITS Box Detail Sheet required; see Section 7

	18-OZ. TARP	22-OZ. TARP
25'		
26'		
27'		
28'		
29'		
30'		
31'		
32'		
33'		
34'		
35'		
36'		
37'		
38'		
39'		
40'		
41'		
42'		
43'		
44'		
45'		
46'		
47'		
48'		
49'		
50'		
51'		
52'		
53'		
54'		

## HARDWARE QTY

SIZE	TARP STOPS	STD BOWS	STRAPS/RATCHETS
25' to 26'	4	5	4
27' to 30'	5	6	5
31' to 34'	5	7	5
35' to 38'	6	8	6
39' to 43'	6	9	6
44' to 46'	7	11	7
47' to 54'	8	12	8

See REPLACEMENT TARPS, pgs. 29-34.

## STANDARD FEATURES AND OPTIONS

HOLD-DOWNS	
● 5' Belt w/2" Ratchet Hold-Downs	Standard
Strap Hold-Down w/Hook	Add/Ea.
Cable Hold-Down	Add/Ea.
TARP STOPS	
● Easy-Off Tarp Stops	Standard
Standard Tarp Stop	Deduct/Ea.
Flexible Easy-Off Tarp Stop	Add/Ea.
6" Offset Easy-Off Tarp Stop	Add/Ea.
6" Offset Flexible Easy-Off Tarp Stop	Add/Ea.
BOWS/BRACKETS	
● Galvanized Steel (LR/HR) Bows/Brackets	Standard
Adjustable Galv. Steel (LR/HR) Bow/Bracket	Add/Ea.
Add'l. Galvanized Steel (LR/HR) Bow/Bracket	Add/Ea.
Add'l. Adjustable Galv. Steel (LR/HR) Bow/Bracket	Add/Ea.
No Galvanized Steel (LR/HR) Bow/Bracket	Deduct/Ea.
END CAPS	
● Alum. Caps (LR/HR) w/Radius Corner Front Cap	Standard
Easy-Off Aluminum (LR/HR) Rear Cap	Add
Galvanized Steel (LR/HR) Rear Cap	Deduct
Fabric (LR/HR) Rear Cap	Add
Poorboy Rear Tapered Flap	
No Rear Cap	Deduct
Fixed Aluminum Square (LR/HR) Front Cap	Deduct
Easy-Off Aluminum (LR/HR) Front Cap	Add
Galvanized Steel (LR/HR) Front Cap	Deduct
Aluminum (LR) Universal Front Cap	Add
Fabric (LR/HR) Front Cap	Add
No Front Cap	Deduct
RIDGE SUPPORTS	
● 1" or 2" Ridge Strap	Standard
Additional 1" or 2" Ridge Strap (39')*	Add/Ea.
Additional 1" or 2" Ridge Strap (46')*	Add/Ea.
Additional 1" or 2" Ridge Strap (56')*	Add/Ea.
No Ridge Strap	Deduct/Ea.
ROLL RETURNS	
● Rope Return	Standard
CRANK ARMS	
● Crank Arm w/Square Key	Standard
Crank Arm Extension	Add
Leave-On Crank Option**	Add
RETAINERS	
● Offset Crank Retainers (2)	Standard
Offset Pinless Crank Retainers (2)	Add/Set
TARP OPTIONS	
● 18-Oz. Vinyl - Choice of Color***	Standard
22-Oz. Vinyl - Choice of Color***	Add
Multicolored Fabric (per added color)	Add
Active Decontamination Flap	Add/Ft.
Bow Reinforcements (10")	Add/Ea.
Tarp Reinforcements	Add/Ft.
OTHER OPTIONS	
Standard Tarp Repair Kit	Add
Professional Tarp Repair Kit	Add
Bow Sock	Add/Ea.
Molded Roll Tube Deflectors (2)	Add/Set

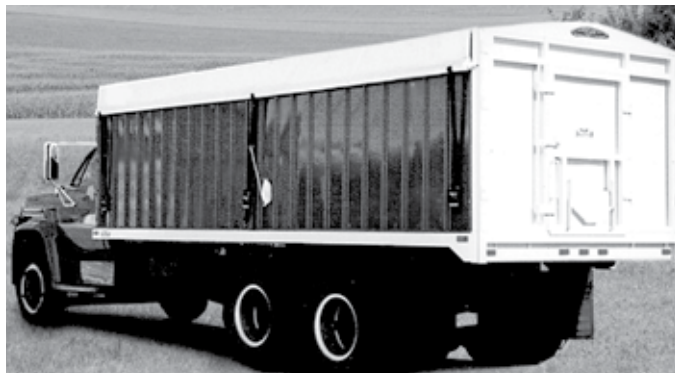
\*To reduce grain splatter, use two (2) ridge straps placed 11" off center or 22" apart.

\*\*Includes stretch cord return and wire lock pin.

\*\*\* Available colors: red, black, royal blue, white, yellow, green, grape, maroon, tan, or gray. (Grape & Yellow N/A in 22 oz.)



# PREMIUM BELT 'N RATCHET FOR FARM BODIES



Start with your box dimensions from the chart below, rounding up as needed. Using the STANDARD FEATURES AND OPTIONS chart at right, add or deduct as instructed for any changes from the bulleted (●) standard equipment.

Convenient leave-on crank option with stretch cord return, lets you leave the crank attached to the trailer with a wire lock pin.

## COMPLETE KITS Box Detail Sheet required; see Section 7

	18-OZ. TARP	22-OZ. TARP
10'		
11'		
12'		
13'		
14'		
15'		
16'		
17'		
18'		
19'		
20'		
21'		
22'		
23'		
24'		

## HARDWARE QTY

SIZE	TARP STOPS	STANDARD BOWS	U-CLAMPS	STRAPS/RATCHETS
10' to 14'	3	2	6	3
15' to 18'	3	3	6	3
19' to 22'	4	4	8	4
23' to 24'	4	5	8	4

See REPLACEMENT TARPS, pgs. 29-34.

Please call for pricing for potato trailers.

## STANDARD FEATURES AND OPTIONS

<b>HOLD-DOWNS</b>	
● 5' Belt w/2" Ratchet Hold-Downs	Standard
Strap Hold-Down w/Hook	Add/Ea.
Cable Hold-Down	Add/Ea.
<b>TARP STOPS</b>	
● Easy-Off Tarp Stops	Standard
Standard Tarp Stop	Deduct/Ea.
Flexible Easy-Off Tarp Stop	Add/Ea.
6" Offset Easy-Off Tarp Stop	Add/Ea.
6" Offset Flexible Easy-Off Tarp Stop	Add/Ea.
<b>BOWS/BRACKETS</b>	
● Galvanized Steel (LR/HR) Bows/Brackets	Standard
Adjustable Galvanized Steel (LR/HR) Bow/Bracket	Add/Ea.
Add'l. Galvanized Steel (LR/HR) Bow	Add/Ea.
Add'l. Adjustable Galv. Steel (LR/HR) Bow/Bracket	Add/Ea.
No Galvanized Steel (LR/HR) Bow/Bracket	Deduct/Ea.
<b>END CAPS</b>	
● Aluminum (LR/HR) End Caps	Standard
Easy-Off Aluminum (LR/HR) Rear Cap	Add
Galvanized Steel (LR/HR) Rear Cap	Deduct
Fabric (LR/HR) Rear Cap	Add
Poorboy Rear Tapered Flap	
No Rear Cap	Deduct
Radius/Diagonal Aluminum (LR/HR) Front Cap	Add
Easy-Off Aluminum (LR/HR) Front Cap	Add
Galvanized Steel (LR/HR) Front Cap	Deduct
Aluminum (LR) Universal Front Cap	Add
Fabric (LR/HR) Front Cap	Add
No Front Cap	Deduct
<b>RIDGE SUPPORTS</b>	
● 1" Ridge Strap	Standard
2" Ridge Strap	
Additional 1" or 2" Ridge Strap (25')	Add/Ea.
No Ridge Strap	Deduct/Ea.
<b>ROLL RETURNS</b>	
● Rope Return	Standard
<b>CRANK ARMS</b>	
● Crank Arm w/Square Key	Standard
Crank Arm Extension	Add
Leave-On Crank Option*	Add
<b>RETAINERS</b>	
● Offset Crank Retainers (2)	Standard
Offset Pinless Crank Retainers (2)	Add/Set
<b>TARP OPTIONS</b>	
● 18-Oz. Vinyl Tarp - Choice of Color**	Standard
22-Oz. Vinyl Tarp - Choice of Color**	Add
Multicolored Fabric (per added color)	Add
Tarp Reinforcements	Add/Ft.
<b>OTHER OPTIONS</b>	
Standard Tarp Repair Kit	Add
Professional Tarp Repair Kit	Add
Bow Sock	Add/Ea.
Molded Roll Tube Deflectors (2)	Add/Set

\*Includes stretch cord return and wire lock pin.

\*\*Available colors: red, black, royal blue, white, yellow, green, grape, maroon, tan, or gray. (Grape & Yellow N/A in 22 oz.)

# PREMIUM BELT 'N RATCHET FOR DUMP BODIES



Start with your box dimensions from the chart below, rounding up as needed. Using the STANDARD FEATURES AND OPTIONS chart at right, add or deduct as instructed for any changes from the bulleted (●) standard equipment.

Heavy-Duty and Turning Point™ bow kits come with a ridgepole. Durabow™ kits do NOT come with ridge support and are NOT recommended for low-rise applications. The Durabows™ flex as the load is dumped, then spring back up to support the tarp.

## COMPLETE KITS Box Detail Sheet required; see Section 7

	HEAVY-DUTY BOWS	DURABOW™	TURNING POINT™
10'			
11'			
12'			
13'			
14'			
15'			
16'			
17'			
18'			
19'			
20'			
21'			
22'			
23'			
24'			

## HARDWARE QTY

SIZE	TARP STOPS	HD BOWS	DURA-BOW™	TURNING POINT™	STRAPS/RATCHETS
10' to 14'	3	0	2	3	3
15' to 18'	3	1	3	3	3
19' to 22'	4	1	4	4	4
23' to 24'	4	1	5	4	4

See REPLACEMENT TARPS, pgs. 29-34.

## STANDARD FEATURES AND OPTIONS

<b>HOLD-DOWNS</b>	
● 5' Belt w/2" Ratchet Hold-Downs	Standard
Strap Hold-Down w/Hook	Add/Ea.
Cable Hold-Down	Add/Ea.
<b>TARP STOPS</b>	
● Easy-Off Tarp Stops	Standard
Flexible Easy-Off Tarp Stop	Add/Ea.
6" Offset Easy-Off Tarp Stop	Add/Ea.
6" Offset Flexible Easy-Off Tarp Stop	Add/Ea.
<b>BOWS/BRACKETS</b>	
Additional Heavy-Duty Bow/Bracket	Add/Ea.
Aluminum Brackets - For Durabow™ (2)	Add/Set
<b>END CAPS</b>	
● Front (LR/HR) Heavy-Duty Bows/Brackets (2)*	Standard
● Poorboy Rear (LR/HR) Tapered Flap	Standard
Fabric Rear Cap	
No Poorboy Rear Tapered Flap	Deduct
Galvanized Steel Front Cap (Square Only)	Deduct
Aluminum Front Cap (Square Only)	Add
Aluminum (LR) Universal Front Cap	Add
Fabric Front Cap	Add
<b>RIDGE SUPPORTS</b>	
● Ridgepole - NOT Available on Durabow™ Kit	Standard
<b>ROLL RETURNS</b>	
● Rope Return	Standard
<b>CRANK ARMS</b>	
● Crank Arm w/Square Key	Standard
Crank Arm Extension	Add
Leave-On Crank Option**	Add
<b>RETAINERS</b>	
● Offset Crank Retainers (2)	Standard
Offset Pinless Crank Retainers (2)	Add/Set
<b>TARP OPTIONS</b>	
● 22-Oz. Vinyl Tarp - Choice of Color***	Standard
Multicolored Fabric (per added color)	Add
Tarp Reinforcements	Add/Ft.
<b>OTHER OPTIONS</b>	
Standard Tarp Repair Kit	Add
Professional Tarp Repair Kit	Add
Bow Sock	Add/Ea.
Molded Roll Tube Deflectors (2)	Add/Set

\*These two (2) bows/brackets function as a front end cap on this system.

\*\*Includes stretch cord return and wire lock pin.

\*\*\*Available colors: red, black, royal blue, white, green, maroon, tan, or gray. (Grape & Yellow N/A in 22 oz.)

NOTE: There is NO deduction in cost if you downgrade to 18-oz. fabric and NO warranty on the tarp.



Start with your box dimensions from the chart below, rounding up as needed. Using the STANDARD FEATURES AND OPTIONS chart at right, add or deduct as instructed for any changes from the bulleted (●) standard equipment.

Heavy-Duty kits have a standard ridgepole; Durabow™ kits do NOT come with ridge support and are NOT recommended for low-rise applications. The Durabows™ flex as the load is dumped, then spring back up to support the tarp.

## COMPLETE KITS Box Detail Sheet required; see Section 7

	HEAVY-DUTY BOWS	DURABOW™
10'		
11'		
12'		
13'		
14'		
15'		
16'		
17'		
18'		
19'		
20'		
21'		
22'		
23'		
24'		

## HARDWARE QTY

SIZE	TARP STOPS	HEAVY-DUTY BOWS	DURABOW™	STRAPS/RATCHETS
10' to 14'	3	0	2	3
15' to 18'	3	1	3	3
19' to 24'	4	1	4	4

See REPLACEMENT TARPS, pgs. 29-34.

## STANDARD FEATURES AND OPTIONS

<b>HOLD-DOWNS</b>	
● 5' Belt w/2" Ratchet Hold-Downs	Standard
Strap Hold-Down w/Hook	Add/Ea.
Cable Hold-Down	Add/Ea.
<b>TARP STOPS</b>	
● Easy-Off Tarp Stops - Standard on Durabow™ Kit	
● 6" Offset Easy-Off Tarp Stops - Standard on HD Kit	
Flexible Easy-Off Tarp Stop	Add/Ea.
6" Offset Flexible Easy-Off Tarp Stop	Add/Ea.
<b>BOWS/BRACKETS</b>	
Additional Heavy-Duty Bow/Bracket	Add/Ea.
Aluminum Brackets - For Durabow™ (2)	Add/Set
<b>END CAPS</b>	
● Aluminum (LR/HR) End Caps	Standard
Galvanized Steel (LR/HR) Rear Cap	Deduct
Fabric (LR/HR) Rear Cap	Add
No Rear Cap	Deduct
Galvanized Steel (LR/HR) Front Cap	Deduct
Fabric (LR/HR) Front Cap	Add
No Front Cap	Deduct
<b>RIDGE SUPPORTS</b>	
● Ridgepole - NOT Available on Durabow™ Kit	Standard
<b>ROLL RETURNS</b>	
● Rope Return	Standard
<b>CRANK ARMS</b>	
● Crank Arm w/Extension/Square Key	Standard
Leave-On Crank Option*	Add
<b>RETAINERS</b>	
● Offset Crank Retainers (2)	Standard
Offset Pinless Crank Retainers (2)	Add/Set
<b>TARP OPTIONS</b>	
● 22-Oz. Vinyl Tarp - Choice of Color**	Standard
Multicolored Fabric (per added color)	Add
Tarp Reinforcements	Add/Ft.
<b>OTHER OPTIONS</b>	
Standard Tarp Repair Kit	Add
Professional Tarp Repair Kit	Add
Bow Sock	Add/Ea.
Molded Roll Tube Deflectors (2)	Add/Set

\*Includes stretch cord return and wire lock pin.

\*\*Available colors: red, black, royal blue, white, green, maroon, tan, or gray. (Grape & Yellow N/A in 22 oz.)

NOTE: There is NO deduction in cost if you downgrade to 18-oz. fabric and NO warranty on the tarp.

# PREMIUM BELT 'N RATCHET FOR END DUMPS



Start with your box dimensions from the chart below, rounding up as needed. Using the STANDARD FEATURES AND OPTIONS chart at right, add or deduct as instructed for any changes from the bulleted (●) standard equipment.

Standard and Aluminum bow kits have a ridge strap standard; Heavy-Duty and Turning Point™ bow kits come with a ridge-pole. Durabow™ kits do NOT come with ridge support and are NOT recommended for low-rise applications. The Durabows™ flex as the load is dumped, then spring back up to support the tarp.

## COMPLETE KITS Box Detail Sheet required; see Section 7

	STANDARD BOWS	HD BOWS	TURNING POINT™	DURABOW™	ALUM BOWS
20'					
21'					
22'					
23'					
24'					
25'					
26'					
27'					
28'					
29'					
30'					
31'					
32'					
33'					
34'					
35'					
36'					
37'					
38'					
39'					
40'					
41'					
42'					
43'					
44'					
45'					
46'					
47'					
48'					

## HARDWARE QTY

SIZE	TARP STOPS	STD BOWS	HD BOWS	TURNING POINT™	DURA BOW™	ALUM BOWS	STRAPS/RATCHETS
20'-22'	3	4	2	3	4	4	3
23'	3	4	2	3	5	4	3
24' to 26'	4	5	2	4	5	5	4
27' to 30'	5	6	2	5	6	6	5
31' to 34'	5	7	2	5	7	7	5
35' to 38'	6	8	3	6	8	8	6
39' to 43'	6	9	3	6	9	9	6
44' to 46'	7	10	3	7	10	10	7
47' to 48'	7	11	4	7	11	11	7

See REPLACEMENT TARPS, pgs. 29-34.

## STANDARD FEATURES AND OPTIONS

HOLD-DOWNS	
● 5' Belt w/2" Ratchet Hold-Downs	Standard
Strap Hold-Down w/Hook	Add/Ea.
Cable Hold-Down	Add/Ea.
TARP STOPS	
● Easy-Off Tarp Stops	Standard
Standard Tarp Stop	Deduct/Ea.
Flexible Easy-Off Tarp Stop	Add/Ea.
6" Offset Easy-Off Tarp Stop	Add/Ea.
6" Offset Flexible Easy-Off Tarp Stop	Add/Ea.
BOWS/BRACKETS	
Turning Point™ Bow/Bracket* - For Alumatech Trailer	Add
Adjustable Galvanized (LR/HR) Bow/Bracket	Add/Ea.
No Galvanized Steel (LR/HR) Bow/Bracket	Deduct/Ea.
No Heavy-Duty Bow/Bracket	Deduct/Ea.
No Aluminum Bow/Bracket	Deduct/Ea.
No Durabow™ Bow/Bracket	Deduct/Ea.
Aluminum Brackets - For Durabow™ (2)	Add/Set
END CAPS	
● Fabric (LR/HR) Front/Rear Caps	Standard
Combo Cap	
Poorboy Rear Tapered Flap	
No Rear Cap	Deduct
Aluminum (LR) Universal Front Cap	
Poorboy Front Tapered Flap	
Poorboy Front Radius/Diagonal Fitted Flap	
No Front Cap	Deduct
RIDGE SUPPORTS	
● 1" Ridge Strap - Standard on Standard & Aluminum Bow Kit	
● Ridgepole - Standard on Heavy-Duty & Turning Point™ Bow Kit	
Additional 1" or 2" Ridge Strap (39")	Add/Ea.
Additional 1" or 2" Ridge Strap (46")	Add/Ea.
Additional 1" or 2" Ridge Strap (56")	Add/Ea.
No Ridge Strap	Deduct/Ea.
ROLL RETURNS	
● Rope Return	Standard
CRANK ARMS	
● Crank Arm w/Square Key	Standard
Crank Arm Extension	Add
Leave-On Crank Option**	Add
RETAINERS	
● Offset Crank Retainers (2)	Standard
Offset Pinless Crank Retainers (2)	Add/Set
TARP OPTIONS	
● 22-Oz. Vinyl Tarp - Choice of Color***	Standard
Multicolored Fabric (per added color)	Add
Bow Reinforcements (10")	Add
Tarp Reinforcements	Add/Ft.
OTHER OPTIONS	
Standard Tarp Repair Kit	Add
Professional Tarp Repair Kit	Add
Bow Sock	Add/Ea.
Molded Roll Tube Deflectors (2)	Add/Set

\*Turning Point™ bows/brackets are used for 39' Alumatech trailer ONLY.

\*\*Includes stretch cord return and wire lock pin.

\*\*\*Available colors: red, black, royal blue, white, green, orange, maroon, tan or gray.

NOTE: There is NO deduction in cost if you downgrade to 18-oz. fabric and NO warranty on the tarp.



# PREMIUM BELT 'N RATCHET FOR OPEN-TOP VANS WITH 2" ROLL TUBE



Start with your box dimensions from the chart below, rounding up as needed. Using the STANDARD FEATURES AND OPTIONS chart at right, add or deduct as instructed for any changes from the bulleted (●) standard equipment.

These kits do NOT include bows. Durabow™ kits do NOT come with ridge support and are NOT recommended for low-rise applications. The bows flex as the load is dumped, then spring back up to support the tarp.

If you're in the business of transporting light, bulky materials like wood chips and trash, a belted system lets you haul heaped loads above the bows and still keep your tarp tight.

Hold-downs secure the tarp tube, putting uniform tension on the whole tarp. An upgrade to our cable hold-downs provides quick-release straps for convenience.

## COMPLETE KITS Box Detail Sheet required; see Section 7

	18-OZ. TARP	22-OZ. TARP
28'		
30'		
32'		
34'		
36'		
38'		
40'		
42'		
44'		
46'		
48'		
50'		
52'		
54'		

## HARDWARE QTY

SIZE	TARP STOPS	STANDARD BOWS	HEAVY-DUTY BOWS	STRAPS/RATCHETS
28' to 30'	5	6	2	5
31' to 34'	5	7	2	5
35' to 38'	6	8	3	6
39' to 43'	6	9	3	6
44' to 46'	7	10	3	7
47' to 50'	7	11	4	7
51' to 54'	8	12	4	8

See REPLACEMENT TARPS, pgs. 29-34.

## STANDARD FEATURES AND OPTIONS

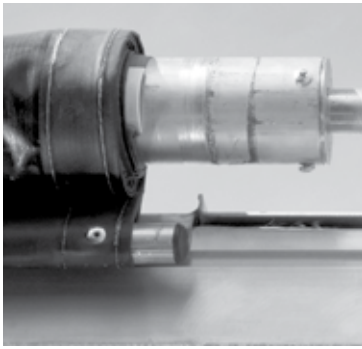
HOLD-DOWNS	
● 9' Belt w/2" Ratchet Hold-Downs	Standard
Strap Hold-Down w/Hook	Add/Ea.
Cable Hold-Down	Add/Ea.
TARP STOPS	
● 6" Offset Easy-Off Tarp Stops	Standard
6" Offset Flexible Easy-Off Tarp Stop	Add/Ea.
6" Offset Belt Flex Tarp Stop	Add/Ea.
Easy-Off Tarp Stop	Deduct/Ea.
Flexible Easy-Off Tarp Stop	Add/Ea.
Easy-Off Belt Flex Tarp Stop	
Standard Tarp Stop	Deduct/Ea.
BOWS/BRACKETS	
Galvanized Steel (Flat/LR) Bow/Bracket	Add/Ea.
Adjustable Galv. Steel (LR/HR) Bow/Bracket	Add/Ea.
Durabow™ w/Steel Bracket	Add/Ea.
Durabow™ w/Aluminum Bracket	Add/Ea.
Heavy-Duty (Flat/LR) Bow/Bracket	Add/Ea.
Aluminum Bow/Bracket	Add/Ea.
END CAPS	
● Aluminum (Flat) End Caps	Standard
Fixed Aluminum (LR) Rear Cap	Add
Galvanized Steel (LR) Rear Cap	
Fabric (LR) Rear Cap	Add
Poorboy Rear Tapered Flap	
No Rear Cap (Flat)	Deduct
Fixed Aluminum (LR/HR) Front Cap	
Radius/Diagonal Aluminum (LR) Front Cap	Add
Aluminum (Flat/LR) Universal Front Cap	Add
Galvanized Steel (LR) Front Cap	Deduct
Fabric (LR) Front Cap	Add
Poorboy Front Tapered Flap	
Poorboy Front Radius/Diagonal Fitted Flap	Add
No Front Cap (Flat)	Deduct
RIDGE SUPPORTS	
1" or 2" Ridge Strap (39')	Add/Ea.
1" or 2" Ridge Strap (46')	Add/Ea.
1" or 2" Ridge Strap (56')	Add/Ea.
ROLL RETURNS	
● Rope Return	Standard
CRANK ARMS	
● Crank Arm w/Extension/Square Key	Standard
Standard Square Key Crank Arm	Deduct
Leave-On Crank Option*	Add
RETAINERS	
● Offset Crank Retainers (2)	Standard
Offset Pinless Crank Retainers (2)	Add/Set
TARP OPTIONS	
● 18-Oz. Vinyl Tarp - Choice of Color**	Standard
22-Oz. Vinyl Tarp - Choice of Color**	Add
Multicolored Fabric (per added color)	Add
Mesh Insert 72" x 26'***	Add/Ea.
Tarp Reinforcements	Add/Ft.
OTHER OPTIONS	
Rear Cable Return - Use w/Metal Caps Only	Add
Standard Tarp Repair Kit	Add
Professional Tarp Repair Kit	Add
Bow Sock	Add/Ea.
Molded Roll Tube Deflectors (2)	Add/Set

\*Includes stretch cord return and wire lock pin.

\*\*Available colors: red, black, royal blue, white, yellow, green, orange, grape, maroon, tan, or gray. (Grape and Yellow N/A in 22 oz.)

\*\*\*Inserts smaller than standard size will be priced the same. If larger than standard, a special quote will be needed.

# PREMIUM BELT 'N RATCHET FOR OPEN-TOP VANS WITH 3" ROLL TUBE



Our 3" aluminum roll tube has less deflection than the 2" galvanized tube although its heavy-duty construction does not make it lighter. The 3" tube will roll a little faster, but it sacrifices torque to do so. This is a good choice for refuse or chip haulers who can make do with few bows or none at all.

Start with your box dimensions from the chart below, rounding up as needed. Using the STANDARD FEATURES AND OPTIONS chart at right, add or deduct as instructed for any changes from the bulleted (●) standard equipment.

These kits do NOT include bows. Durabow™ kits do NOT come with ridge support and are NOT recommended for low-rise applications. The bows flex as the load is dumped, then spring back up to support the tarp. Upgrading to heavy-duty flat bows will reduce interference from loaders – an ideal accommodation for open-top vans maxed out on height allowance.

Hold-downs secure the tarp tube, putting uniform tension on the whole tarp. An upgrade to our cable hold-downs provides quick-release straps for convenience.

## COMPLETE KITS Box Detail Sheet required; see Section 7

	18-OZ. TARP	22-OZ. TARP
28'		
30'		
32'		
34'		
36'		
38'		
40'		
42'		
44'		
46'		
48'		
50'		
52'		
54'		

## HARDWARE QTY

SIZE	TARP STOPS	STANDARD BOWS	HEAVY-DUTY BOWS	STRAPS/RATCHETS
28' to 30'	5	6	2	5
31' to 34'	5	7	2	5
35' to 38'	6	8	3	6
39' to 43'	6	9	3	6
44' to 46'	7	10	3	7
47' to 50'	7	11	4	7
51' to 54'	8	12	4	8

See REPLACEMENT TARPS, pgs. 29-34.

## STANDARD FEATURES AND OPTIONS

HOLD-DOWNS	
● 9' Belt w/2" Ratchet Hold-Downs	Standard
Strap Hold-Down w/Hook	Add/Ea.
Cable Hold-Down	Add/Ea.
TARP STOPS	
● 6" Offset Easy-Off Tarp Stops	Standard
6" Offset Flexible Easy-Off Tarp Stop	Add/Ea.
6" Offset Easy-Off Belt Flex™ Tarp Stop	Add/Ea.
Easy-Off Tarp Stop	Deduct/Ea.
Flexible Easy-Off Tarp Stop	Add/Ea.
Easy-Off Belt Flex™ Tarp Stop	
Standard Tarp Stop	Deduct/Ea.
BOWS/BRACKETS	
Galvanized Steel (Flat/LR) Bow/Bracket	Add/Ea.
Adjustable Galv. Steel (LR/HR) Bow/Bracket	Add/Ea.
Durabow™ w/Steel Bracket	Add/Ea.
Durabow™ w/Aluminum Bracket	Add/Ea.
Heavy-Duty (Flat/LR) Bow/Bracket	Add/Ea.
Aluminum Bow/Bracket	Add/Ea.
END CAPS	
● Aluminum (Flat) End Caps	Standard
Fixed Aluminum (LR) Rear Cap	Add
Galvanized Steel (LR) Rear Cap	
Fabric (LR) Rear Cap	Add
Poorboy Rear Tapered Flap	
No Rear Cap (Flat)	Deduct
Fixed Aluminum (LR/HR) Front Cap	
Radius/Diagonal Aluminum (LR) Front Cap	Add
Aluminum (Flat/LR) Universal Front Cap	Add
Galvanized Steel (LR) Front Cap	Deduct
Fabric (LR) Front Cap	Add
Poorboy Front Tapered Flap	
Poorboy Front Radius/Diagonal Fitted Flap	Add
No Front Cap (Flat)	Deduct
RIDGE SUPPORTS	
1" or 2" Ridge Strap (39')	Add/Ea.
1" or 2" Ridge Strap (46')	Add/Ea.
1" or 2" Ridge Strap (56')	Add/Ea.
ROLL RETURNS	
● Rope Return	Standard
CRANK ARMS	
● Crank Arm/Extension w/Square Key	Standard
Standard Crank Arm w/Square Key	Deduct
Leave-On Crank Option*	Add
RETAINERS	
● Offset Crank Retainers (2)	Standard
Offset Pinless Crank Retainers (2)	Add/Set
TARP OPTIONS	
● 18-Oz. Vinyl Tarp – Choice of Color**	Standard
22-Oz. Vinyl Tarp – Choice of Color**	Add
Multicolored Fabric (per added color)	Add
Mesh Insert 72" x 26'***	Add/Ea.
Tarp Reinforcements	Add/Ft.
OTHER OPTIONS	
Standard Tarp Repair Kit	Add
Professional Tarp Repair Kit	Add
Bow Sock	Add/Ea.
Molded Roll Tube Deflectors (2)	Add/Set

\*Includes stretch cord return and wire lock pin.

\*\*Available colors: red, black, royal blue, white, yellow, green, orange, grape, maroon, tan, or gray. (Grape and Yellow N/A in 22 oz.)

\*\*\*Inserts smaller than standard size will be priced the same. If larger than standard, a special quote will be needed.

# PREMIUM BELT 'N RATCHET FOR CHIP TRAILERS WITH 3" ROLL TUBE

Start with your box dimensions from the chart below, rounding up as needed. Using the STANDARD FEATURES AND OPTIONS chart at right, add or deduct as instructed for any changes from the bulleted (●) standard equipment.

These kits do NOT include bows. Adding heavy-duty flat bows will reduce interference from loaders – perfect for open-top vans maxed out on height allowance. The bows flex as the load is dumped, then spring back up to support the tarp.

Once the trailer is loaded with chips or residue, the driver will need to cover the load, and with Shur-Lok's one-person operation, this is accomplished – safely and easily – from the ground.

## COMPLETE KITS Box Detail Sheet required; see Section 7

	18-OZ. TARP	MESH TARP
38'		
40'		
42'		
44'		
46'		
48'		
50'		
52'		
54'		

## HARDWARE QTY

SIZE	TARP STOPS	U-CLAMPS	STD BOWS	HD BOWS
38'	6	14	8	3
39' to 43'	6	14	9	3
44' to 46'	7	16	10	3
47' to 50'	7	16	11	4
51' to 54'	8	18	12	4

See REPLACEMENT TARPS, pgs. 29-34.

## STANDARD FEATURES AND OPTIONS

HOLD-DOWNS	
● 9' Belt w/2" Ratchet Hold-Downs	Standard
Strap Hold-Down w/Hook	Add/Ea.
Cable Hold-Down	Add/Ea.
TARP STOPS	
● 6" Offset Belt Flex™ Tarp Stops	Standard
6" Offset Flexible Easy-Off Tarp Stop	Deduct/Ea.
6" Offset Easy-Off Tarp Stop	Deduct/Ea.
Easy-Off Belt Flex™ Tarp Stop	Deduct/Ea.
Flexible Easy-Off Tarp Stop	Deduct/Ea.
Standard Tarp Stop	Deduct/Ea.
BOWS/BRACKETS	
Galvanized Steel (Flat/LR) Bow/Bracket	Add/Ea.
Adjustable Galv. Steel (LR/HR) Bow/Bracket	Add/Ea.
Heavy-Duty (Flat/LR) Bow/Bracket	Add/Ea.
END CAPS	
● Aluminum Caps (Flat) w/Radius/ Diagonal Front Cap	Standard
Fixed Aluminum (LR) Rear Cap	Add
Galvanized Steel (LR) Rear Cap	
Poorboy Rear Tapered Flap	
No Rear Cap (Flat)	Deduct
Fixed Aluminum (LR) Front Cap	Deduct
Aluminum (LR) Radius/Diagonal Front Cap	
Aluminum (Flat/LR) Universal Front Cap	Add
Galvanized Steel (LR) Front Cap	Deduct
Poorboy Front Tapered Flap	Deduct
No Front Cap (Flat)	Deduct
RIDGE SUPPORTS	
1" or 2" Ridge Strap (39')	Add/Ea.
1" or 2" Ridge Strap (46')	Add/Ea.
1" or 2" Ridge Strap (56')	Add/Ea.
ROLL RETURNS	
● Rope Return	Standard
CRANK ARMS	
● Crank Arm/Extension w/Square Key	Standard
Standard Square Key Crank Arm	Deduct
Leave-On Crank Option*	Add
RETAINERS	
● Offset Crank Retainers (2)	Standard
Offset Pinless Crank Retainers (2)	Add/Set
TARP OPTIONS	
● Mesh Tarp - Choice of Color **	Standard
18-Oz. Vinyl Tarp - Choice of Color***	Add
Multicolored Fabric (per added color)	Add
Mesh Insert 72" x 26' ****	Add/Ea.
Tarp Reinforcements	Add/Ft.
OTHER OPTIONS	
Rear Cable Return - Use w/Metal Caps Only	Add
Standard Tarp Repair Kit	Add
Professional Tarp Repair Kit	Add
Bow Sock	Add/Ea.
Molded Roll Tube Deflectors (2)	Add/Set

\*Includes stretch cord return and wire lock pin.

\*\* Available in black only.

\*\*\* Available colors: red, black, royal blue, white, yellow, green, grape, maroon, tan, or gray.

\*\*\*\* Inserts smaller than standard size will be priced the same. If larger than standard, a special quote will be needed.

# PREMIUM BELT 'N RATCHET FOR REFUSE TRAILERS WITH 3" ROLL TUBE



Start with your box dimensions from the chart below, rounding up as needed. Using the STANDARD FEATURES AND OPTIONS chart at right, add or deduct as instructed for any changes from the bulleted (●) standard equipment.

These kits do NOT include bows and none are available as an option in this particular application. Tarp refuse quickly and safely from the ground – no more climbing all over the trailer. Stick with our 18-oz. vinyl tarp for water-tight protection, or upgrade to mesh for loads requiring containment but not moisture protection. Adds excellent air circulation to your operation.

## COMPLETE KITS Box Detail Sheet required; see Section 7

	18-OZ. TARP	MESH TARP
38'		
40'		
42'		
44'		
46'		
48'		
50'		
52'		
54'		

## HARDWARE QTY

SIZE	TARP STOPS	HD BOWS
38'	6	14
39' to 43'	6	14
44' to 46'	7	16
47' to 50'	7	16
51' to 54'	8	18

See REPLACEMENT TARPS, pgs. 29-34.

## STANDARD FEATURES AND OPTIONS

HOLD-DOWNS	
● 9' Belt w/2" Ratchet Hold-Downs	Standard
Strap Hold-Down w/Hook	Add/Ea.
Cable Hold-Down	Add/Ea.
TARP STOPS	
● 6" Offset Belt Flex™ Tarp Stops	Standard
6" Offset Flexible Easy-Off Tarp Stop	Deduct/Ea.
6" Offset Easy-Off Tarp Stop	Deduct/Ea.
Easy-Off Belt Flex™ Tarp Stop	Deduct/Ea.
Flexible Easy-Off Tarp Stop	Deduct/Ea.
Easy-Off Tarp Stop	Deduct/Ea.
END CAPS	
● Aluminum (Flat) End Caps	Standard
Fixed Aluminum (LR) Rear Cap	Add
Galvanized Steel (LR) Rear Cap	
Fabric (LR) Rear Cap	Add
Poorboy Rear Tapered Flap	
No Rear Cap (Flat)	Deduct
Fixed Aluminum (LR) Front Cap	
Aluminum (LR) Radius/Diagonal Front Cap	Add
Aluminum (Flat/LR) Universal Front Cap	Add
Galvanized Steel (LR) Front Cap	Deduct
Fabric (LR) Front Cap	Add
Poorboy Front Tapered Flap	
Poorboy Front Radius/Diagonal Fitted Flap	Add
No Front Cap (Flat)	Deduct
RIDGE SUPPORTS	
1" or 2" Ridge Strap (39')	Add/Ea.
1" or 2" Ridge Strap (46')	Add/Ea.
1" or 2" Ridge Strap (56')	Add/Ea.
ROLL RETURNS	
● Rope Return	Standard
CRANK ARMS	
● Crank Arm/Extension w/Square Key	Standard
Standard Square Key Crank Arm	Deduct
Leave-On Crank Option*	Add
RETAINERS	
● Offset Crank Retainers (2)	Standard
Offset Pinless Crank Retainers (2)	Add/Set
TARP OPTIONS	
● 18-Oz. Vinyl Tarp - Choice of Color**	Standard
Mesh Tarp - Choice of Color***	Add
Multicolored Fabric (per added color)	Add
Mesh Insert 72" x 26"****	Add/Ea.
Tarp Reinforcements	Add/Ft.
OTHER OPTIONS	
Standard Tarp Repair Kit	Add
Professional Tarp Repair Kit	Add
Molded Roll Tube Deflectors (2)	Add/Set

\*Includes stretch cord return and wire lock pin.

\*\* Available colors: red, black, royal blue, white, yellow, green, grape, maroon, tan, or gray.

\*\*\* Available in black only.

\*\*\*\* Inserts smaller than standard size will be priced the same. If larger than standard, a special quote will be needed.



## SUPER DUTY

TARP SIZE	BOX WIDTH						
	8'	9'	10'	11'	12'	13'	14'
	18 OZ.	18 OZ.	18 OZ.	18 OZ.	18 OZ.	18 OZ.	18 OZ.
10'							
11'							
12'							
13'							
14'							
15'							
16'							
17'							
18'							
19'							
20'							
21'							
22'							
23'							
24'							
25'							
26'							
27'							
28'							
29'							
30'							

PRICING DIRECTIONS: Pricing given above is for black ONLY. For all other colors, add a 15% upcharge to the price of the tarp. Additional available colors: royal blue, white, red, yellow, green, grape, maroon, tan, or gray.

NOTE: Finished tarp width is opening width PLUS 27". Grain carts with overhang extension MUST have opening measured before correct tarp width can be configured.

## SHUR-LOK® JUNIOR

BOX LENGTH	BOX WIDTH		
	8'	8'6"	8'
	18 OZ.	18 OZ.	18 OZ.
10'			
11'			
12'			
13'			
14'			
15'			

PRICING DIRECTIONS: Pricing given above is for black ONLY. For all other colors, add a 15% upcharge to the price of the tarp. Additional available colors: royal blue, white, red, yellow, green, grape, maroon, tan, or gray.

## U-CLAMP QTY

For Belt 'n Ratchet and Shur-Lok® Replacement Tarps, see pgs. 30-35

SIZE	U-CLAMPS NEEDED
10' to 18'	8
19' to 34'	10
35' to 43'	14
44' to 50'	16
51' to 54'	18

## U-CLAMPS

1115966 U-Clamp Replacement Kit* - 2" Roll Tube (3)
1118643 U-Clamp Replacement Kit* - 2" Roll Tube (8)
1118644 U-Clamp Replacement Kit* - 2" Roll Tube (10)
1118663 U-Clamp Replacement Kit* - 2" Roll Tube (14)
1126790 U-Clamp Replacement Kit* - 3" Roll Tube (3)
1126791 U-Clamp Replacement Kit* - 3" Roll Tube (8)
1126792 U-Clamp Replacement Kit* - 3" Roll Tube (10)
1126793 U-Clamp Replacement Kit* - 3" Roll Tube (14)

\*Includes self-tapping screws.

# SHUR-LOK® REPLACEMENT TARPS

## SUPER DUTY

## DIAMONDCORE™



## VALUE SERIES

TARP SIZE	96"	102"	96"	102"
	18 OZ.	18 OZ.	18 OZ.	18 OZ.
10'				
11'				
12'				
13'				
14'				
15'				
15'6"				
16'				
16'6"				
17'				
17'6"				
18'				
18'6"				
19'				
19'6"				
20'				
20'6"				
21'				
21'6"				
22'				
22'6"				
23'				
23'6"				
24'				
25'				
26'				
27'				
28'				
29'				
30'				
31'				
32'				
33'				
34'				
35'				
36'				
37'				
38'				
39'				
40'				
41'				
42'				
43'				
44'				
45'				
46'				
47'				
48'				
49'				
50'				
51'				
52'				
53'				
54'				

TARP SIZE	96"	102"
	18 OZ.	18 OZ.
10'		
11'		
12'		
13'		
14'		
15'		
15'6"		
16'		
16'6"		
17'		
17'6"		
18'		
18'6"		
19'		
19'6"		
20'		
20'6"		
21'		
21'6"		
22'		
22'6"		
23'		
23'6"		
24'		
25'		
26'		
27'		
28'		
29'		
30'		
31'		
32'		
33'		
34'		
35'		
36'		
37'		
38'		
39'		
40'		
41'		
42'		
43'		
44'		
45'		
46'		
47'		
48'		
49'		
50'		
51'		
52'		
53'		
54'		

PRICING DIRECTIONS: Pricing given is for black fabric ONLY; add tarp options (see above right) for a final price. For all other colors, add tarp price and tarp options, find the subtotal and then add a 15% upcharge. [TARP + OPTIONS = SUBTOTAL x 15% = UPCHARGE] Additional available colors: royal blue, white, red, yellow, green, grape, maroon, tan, or gray. (DiamondCore™ is for grain trailers ONLY and is ONLY available in black.)

VALUE SERIES: 96" box width equals 118" finished tarp width. 102" box width equals 124" finished tarp width.

SUPER DUTY: 96" box width equals 123" finished tarp width. 102" box width equals 129" finished tarp width.

\*With either option for ALL colors, you MUST add a 15% upcharge AFTER arriving at your subtotal. For other options, follow pricing directions below left.

\*\*Additional cost per added color.

### 18-OZ. /DIAMONDCORE™ TARP OPTIONS

Load Hole Flap*	Add/Ea.
Multicolored Fabric* **	Add
Active Decontamination Flap	Add/Ft.
Bow Reinforcement (10')	Add/Ea.
Tarp Reinforcements	Add/Ft.
Poorboy Rear Tapered Flap	Add
Poorboy Front Tapered Flap	Add
Poorboy Diag/Radius Fitted Flap	Add
Additional 6" in Width	Add/Ft.

See asterisk notes at left.

## SUPER DUTY w/RIDGEPOLE POCKET

TARP SIZE	96"	102"	96"	102"
	22 OZ.	22 OZ.	22 OZ.	22 OZ.
10'				
11'				
12'				
13'				
14'				
15'				
15'6"				
16'				
16'6"				
17'				
17'6"				
18'				
18'6"				
19'				
19'6"				
20'				
20'6"				
21'				
21'6"				
22'				
22'6"				
23'				
23'6"				
24'				
25'				
26'				
27'				
28'				
29'				
30'				
31'				
32'				
33'				
34'				
35'				
36'				
37'				
38'				
39'				
40'				
41'				
42'				
43'				
44'				
45'				
46'				
47'				
48'				
49'				
50'				
51'				
52'				
53'				
54'				

NOTE: 96" box width equals 123" finished tarp width.  
102" box width equals 129" finished tarp width.

22-OZ. VINYL/MESH TARP OPTIONS	
Load Hole Flap*	Add/Ea.
Multicolored Fabric* **	Add
Active Decontamination Flap	Add/Ft.
Bow Reinforcement (10")	Add/Ea.
Tarp Reinforcements	Add/Ft.
Poorboy Rear Tapered Flap	Add
Poorboy Front Tapered Flap	Add
Poorboy Diag/Radius Fitted Flap	Add
Additional 6" in Width	Add/Ft.

\*With either option for ALL colors, you MUST add a 15% upcharge AFTER arriving at your subtotal. For other options, follow pricing directions below left.

\*\*Additional cost per added color.

## MESH

TARP SIZE	96"	102"
28'		
29'		
30'		
31'		
32'		
33'		
34'		
35'		
36'		
37'		
38'		
39'		
40'		
41'		
42'		
43'		
44'		
45'		
46'		
47'		
48'		
49'		
50'		
51'		
52'		
53'		
54'		

PRICING DIRECTIONS: Pricing given above is for black fabric ONLY; add any tarp options (see above) for a final price. For all other colors, add tarp price and tarp options, find the subtotal and then add a 15% upcharge. [TARP + OPTIONS = SUBTOTAL x 15% = UPCHARGE] Additional available colors: royal blue, white, red, green, orange, maroon, tan or gray. Mesh available in black only.)

# SHUR-LOK® REPLACEMENT TARPS

## SUPER DUTY REPLACEMENT DOUBLE TARPS

TARP SIZE	18 OZ.		22 OZ.	
	96"	102"	96"	102"
10'				
11'				
12'				
13'				
14'				
15'				
15'6"				
16'				
16'6"				
17'				
17'6"				
18'				
18'6"				
19'				
19'6"				
20'				
20'6"				
21'				
21'6"				
22'				
22'6"				
23'				
23'6"				
24'				
25'				
26'				
27'				
28'				
29'				
30'				
31'				
32'				
33'				
34'				
35'				
36'				
37'				
38'				
39'				
40'				
41'				
42'				
43'				
44'				
45'				
46'				
47'				
48'				
49'				
50'				
51'				
52'				
53'				
54'				

NOTE: 96" box width equals 109" finished bottom tarp width and 129" finished top tarp width. 102" box width equals 115" finished bottom tarp width and 135" finished top tarp width.

18-OZ. DOUBLE TARP OPTIONS	
Extra Load Hole	Add/Ea.
Active Decontamination Flap	Add/Ft.
Bow Reinforcement (10")	Add/Ea.
Tarp Reinforcements	Add/Ft.
Poorboy Rear Tapered Flap	Add
Poorboy Front Tapered Flap	Add
Poorboy Diag/Radius Fitted Flap	Add
Additional 6" in Width	Add/Ft.

PRICING DIRECTIONS: Pricing given above is for black fabric ONLY; add any tarp options (see above) for a final price. For all other colors, add tarp price and tarp options, find the subtotal and then add a 15% upcharge. [TARP + OPTIONS = SUBTOTAL x 15% = UPCHARGE] Additional available colors: royal blue, white, red, yellow, green, orange, grape, maroon, tan, or gray. (, Grape and Yellow N/A in 22 oz.)



# BELT 'N RATCHET REPLACEMENT TARPS

## PREMIUM

## w/RIDGEPOLE POCKET

TARP SIZE	96"	102"	96"	102"	96"	102"
	18 OZ.	18 OZ.	22 OZ.	22 OZ.	22 OZ.	22 OZ.
10'						
11'						
12'						
13'						
14'						
15'						
15'6"						
16'						
16'6"						
17'						
17'6"						
18'						
18'6"						
19'						
19'6"						
20'						
20'6"						
21'						
21'6"						
22'						
22'6"						
23'						
23'6"						
24'						
25'						
26'						
27'						
28'						
29'						
30'						
31'						
32'						
33'						
34'						
35'						
36'						
37'						
38'						
39'						
40'						
41'						
42'						
43'						
44'						
45'						
46'						
47'						
48'						
49'						
50'						
51'						
52'						
53'						
54'						

**PRICING DIRECTIONS:** Pricing given above is for black fabric ONLY; add any tarp options (see above) for a final price. For all other colors, add tarp price and tarp options, find the subtotal and then add a 15% upcharge. [TARP + OPTIONS = SUBTOTAL x 15% = UPCHARGE] Additional available colors: royal blue, white, red, yellow, green, orange, grape, maroon, tan, or gray. (Grape and Yellow N/A in 22-oz. weight.)

NOTE: 96" box width equals 112" finished tarp width. 102" box width equals 118" finished tarp width.

18-OZ. FABRIC TARP OPTIONS	
Multicolored Fabric* (per added color)	Add
Tarp Reinforcements	Add/Ft.
Poorboy Rear Tapered Flap	Add
Poorboy Front Tapered Flap	Add
Poorboy Diagonal/Radius Fitted Flap	Add

22-OZ. FABRIC TARP OPTIONS	
Multicolored Fabric* (per added color)	Add
Tarp Reinforcements	Add/Ft.
Poorboy Rear Tapered Flap	Add
Poorboy Front Tapered Flap	Add
Poorboy Diagonal/Radius Fitted Flap	Add

\*With this option for ALL colors, you MUST add a 15% upcharge AFTER arriving at your subtotal. For other options, follow pricing directions above.

# BELT 'N RATCHET REPLACEMENT TARPS

## MESH

TARP SIZE	96"	102"
28'		
29'		
30'		
31'		
32'		
33'		
34'		
35'		
36'		
37'		
38'		
39'		
40'		
41'		
42'		
43'		
44'		
45'		
46'		
47'		
48'		
49'		
50'		
51'		
52'		
53'		
54'		

MESH TARPS: 96" box width equals 112" finished tarp width. 102" box width equals 118" finished tarp width.

### MESH TARP OPTIONS

Tarp Reinforcements	Add/Ft.
Poorboy Rear Tapered Flap	Add
Poorboy Front Tapered Flap	Add
Poorboy Diag/Radius Fitted Flap	Add

PRICING DIRECTIONS: Pricing given is for black ONLY; add any tarp options for a final price (see above right). For all other colors, add tarp price and tarp options, find the subtotal and then add a 15% upcharge. [TARP + OPTIONS = SUBTOTAL x 15% = UPCHARGE] Mesh is available in black only.

## FITTED COVERS



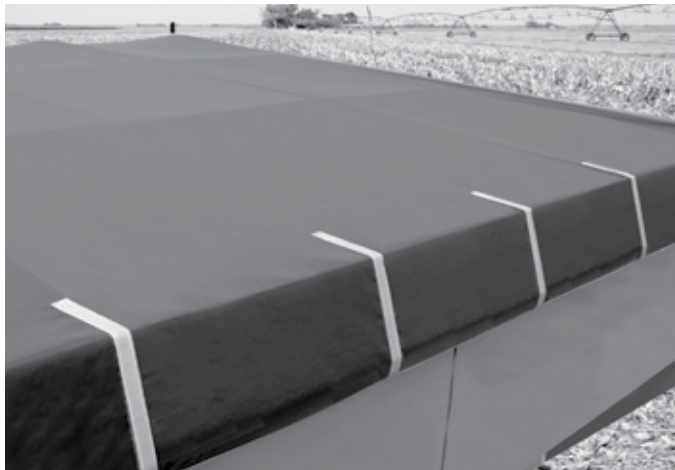
### OPTIONS

Radius, Diagonal, Peak Front	Add
102" Wide	Add
22-Oz. Vinyl Fabric	Add
Bow Reinforcement (10")	Add/Ea.
Tarp Reinforcement	Add/Ft.
Reinforcement (Front Square)	Add/Corner
Multicolored Fabric (per added color)	Add
Stenciling (6" or 8" High, Maximum of 30 Letters)	Add
Tarp Straps (P/N 1702161)	Add/Ea.
Solid Braid Rope - 1/4" (P/N 1700624)	Add/Ft.

BOX SIZE	12" DROP	15" DROP	18" DROP	24" DROP
8' x 10'				
8' x 11'				
8' x 12'				
8' x 13'				
8' x 14'				
8' x 15'				
8' x 16'				
8' x 17'				
8' x 18'				
8' x 19'				
8' x 20'				
8' x 21'				
8' x 22'				
8' x 23'				
8' x 24'				
8' x 25'				
8' x 26'				
8' x 27'				
8' x 28'				
8' x 29'				
8' x 30'				

PRICING DIRECTIONS: Pricing given above is for black ONLY. For all other colors, add a 15% upcharge to the price of the tarp. Additional available colors: royal blue, white, red, yellow, green, orange, grape, maroon, tan, or gray. (Grape and Yellow N/A in 22 oz.)

NOTE: Call for pricing on other sizes.



**CONVENIENT SAME-DAY SHIPPING**

Get back to work faster with Shur-Co's Express Tarps program. Choose your tarp(s) from the chart (reverse side) and call our Express Tarp Center at **605-658-1020** to order. For same day shipping, place your order before 12pm.

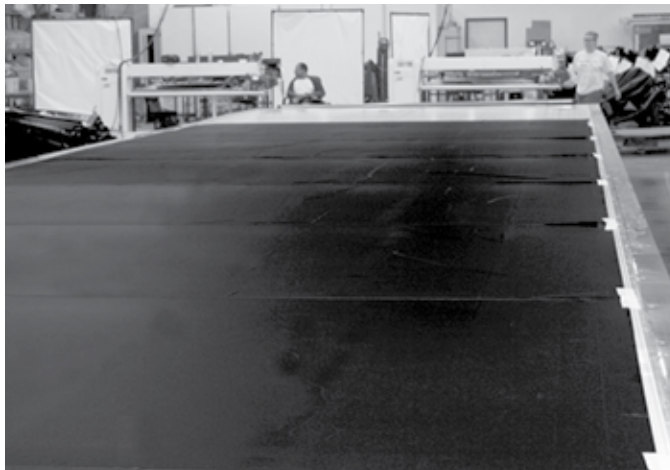
We offer twelve sizes of our 18-oz black vinyl ripstop tarp, designed to fit most common trailer makes and models. If a size you need is not listed, we can also custom build to your length specifications and ship your tarp(s) the next business day, depending on method of delivery, destination, and size of order. All orders are manufactured and shipped from our Shur-Co® of South Dakota Service Center.

Shur-Co® is a well-respected name in the tarping and containment industry, known for our superior-quality materials, workmanship, and customer service.

To place your orders, call: **605.658.1020**

**YOUR EXPRESS TARP CENTER**

Shur-Co® of SOUTH DAKOTA  
Vermillion, South Dakota



**123" WIDE TARPS FOR 94" TO 98" WIDE TRAILERS**

	LENGTH	WIDTH	WEIGHT	COLOR	FABRIC
1901256	31' 6"	123"	18-Oz.	Black	Vinyl
1901257	35' 9"	123"	18-Oz.	Black	Vinyl
1901258	37'	123"	18-Oz.	Black	Vinyl
1901259	38' 8"	123"	18-Oz.	Black	Vinyl
1901260	39'	123"	18-Oz.	Black	Vinyl
1901261	39' 6"	123"	18-Oz.	Black	Vinyl
1901329	39' 10"	123"	18-Oz.	Black	Vinyl
1901262	40' 1"	123"	18-Oz.	Black	Vinyl
1901270	40' 10"	123"	18-Oz.	Black	Vinyl
1901263	41' 3"	123"	18-Oz.	Black	Vinyl
1901271	41' 10"	123"	18-Oz.	Black	Vinyl
1901264	42' 1"	123"	18-Oz.	Black	Vinyl
1901423	49'	123"	18-Oz.	Black	Vinyl

**129" WIDE TARPS FOR 99" TO 102" WIDE TRAILERS**

	LENGTH	WIDTH	WEIGHT	COLOR	FABRIC
1901745	41' 3"	129"	18-Oz.	Black	Vinyl
1901744	42' 1"	129"	18-Oz.	Black	Vinyl

# OPTIONS AND UPGRADES

## END CAPS



### Galvanized Steel

Weld-free construction offers corrosion resistance and front guard reduces wind whip.



### Aluminum

Sharpest match for aluminum trailers. High-rise option provides more space for loads.



### Easy-Off Aluminum

Anchors with an over-center clamp inside box for easier access and faster removal.



### Fabric

Forms watertight seal where tarp and trailer meet. Flexes to prevent loading damage. Tarp must overlap cap by 9".



### Easy-Off Fabric

Facilitates fast, easy removal. Bolts on or secures with bungee cord tiedowns.



### Universal Aluminum

Used for trailers with hard-to-fit fronts. Flat 22" extension gets cut and shaped at install.



### Stainless Steel

For increased corrosion resistance, more durable performance and sharper appearance.



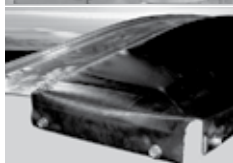
### Fabric Flap/Poorboy Tail

Increased loading space and cargo protection. Poorboy tail is built right into tarp.



### Universal Flat

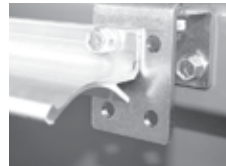
Flat 22" extension for hard-to-fit models helps minimize total height of trailer.



### Combo Cap

Arched fixed aluminum surface for an improved seal and less wear on fabric portion.

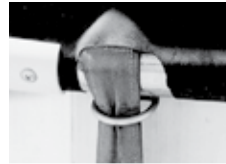
## HIGH-LIFT END GATES



### Offset Adjustable Bracket

Allows spacing of latchplate and tarp stop out flush with width of end gate. Used primarily for high-lift end gates.

## HOLD-DOWNS



### Strap Tiedown

Fast and easy to use. Durable; withstands plenty of use and abuse. In 7' and 9' lengths.



### Ratchet Hold-Down

Available in D-ring and feed-through hook styles. Optional quick-release straps.

## LATCHPLATES



### Aluminum

Lighter-weight version of galvanized latchplate in a sharp appearance to match trailer.



## RETURNS



### PBR Rope

Solid braid run through hole in tarp to help pull tarp over. Secures with box hooks.



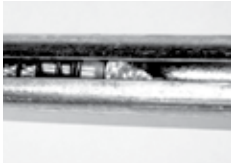
### Stretch Cord

Helps guide front of roll tube across end cap. A protective cover reduces fraying.



### Cable

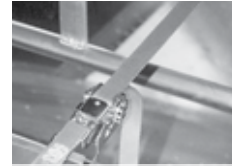
Uses a non-stretch cable and steel tension spring. Installs on front or rear of trailer.



### Shur-Return™

Non-stretch solid braid rope with heavy-duty steel tension spring. Works well in cold.

## RIDGE SUPPORTS



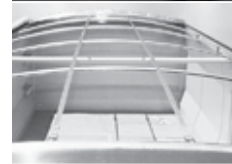
### Ridge Strap

Its stretch-resistant webbing keeps tarp from sagging between bows. 1" and 2" sizes.



### Stainless Steel Ridge Strap

Same design as our standard strap – with stainless ratchets for more corrosion protection.



### Dual Ridge Straps

Offset placement for a larger opening, clear flow for loading. Reduces grain splatter.



### Rollaway Ridgepole

Steel pole with protective end caps. Slides into pocket, then rolls up along with tarp.

## ROLL TUBE DEFLECTORS



### Molded Deflector

Reduces dings and scratches on carts and trailers. In high-impact plastic, black or gray.

## TARP CORDS

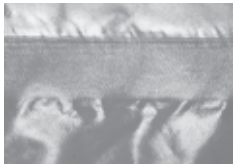


### GustBuster™ Cord

Economical, bolt-on protection keeps wind from catching, flipping tarp off trailer.

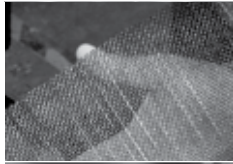
# OPTIONS AND UPGRADES

## TARP OPTIONS



### Solid Vinyl-Coated Fabric

Heat-welded seams provide an added moisture barrier. Built-in UV inhibitors resist fading.



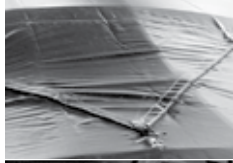
### Mesh Fabric

Durable lightweight fabric offers good air circulation in addition to secure containment.



### Active Decontamination Flap

Helps keep product off of top rails after loading, dumping it back into load.



### Load Hole Flap

Velcro® with buckle fastener facilitates all-weather loading, dust control. Not waterproof.



### Multicolored Fabric

Custom color creates high visibility for instant recognition. Acts as a deterrent to theft.

## TARP REPAIR



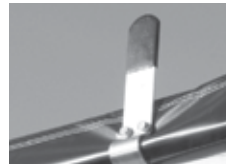
### Standard Kit

One pint of cleaner, 1 quart of vinyl cement and 10 square feet of vinyl-coated fabric.

### Professional Kit

Includes a Wagner heat gun, scissors, roller, 10 square feet of fabric and instructions.

## TARP STOPS



### Standard

Attaches fixed tube to side of trailer. Protective rubber top guards tarp from sharp edges.



### 3" Offset

Configured to store tarp off to side of top rail for additional loading space.



### Recessed

Wraps outside of narrow top rail on grain carts. Accommodates lip in-lip out top rails.



### Easy-Off

Taller, with its patented curved tip. Keeps tarp from getting hung up and rubbing.



### Flexible Easy-Off

Bends even in subzero cold. Impact and abrasion resistant with embedded safety plates.



### 6" Offset EO

Offset design offers maximum loading space. Taller, with its patented curved tip.



### 6" Offset Flexible Easy-Off

All the advantages of regular 6" offset easy-off stop, plus cold-temperature flexibility.



### Easy-Off Belt Flex

Belted design flexes in low-clearance situations to keep from damaging tarp stop.



### 6" Offset Easy-Off Belt Flex

Flexible belted design in offset style. Holds tarp off side of top rail for more clearance.

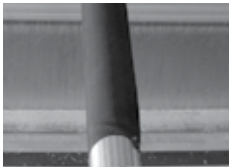


### Powder-Coated/Stainless

EO stop with a black powder-coated finish and a stainless stop body for rust resistance.

NOTE: All Shur-Co® tarp stops use the same hole spacing and are interchangeable.

## BOW COVERS



### Bow Sock

Designed to keep bows from pitting. Helps extend the life of bows and tarp.

## BOWS/BRACKETS



### Standard Steel

Galvanized bracket lets bows flex and allows for box expansion.



### Adjustable

Adjusts bow's length without cutting/welding loose shank. Secured with 5/16" bolt.



### Aluminum

Solid aluminum bow prevents chemical reaction occurring if steel bows/brackets are used on an aluminum trailer.



### Heavy Duty

Beefed-up bow permits bow spacing up to 12' apart. Used with rollaway ridgepole.



### Flat

Flattened version of a heavy-duty bow - no-rise design for less loader interference.



### Durabow™

Molded resin bow supports tarp but has enough give to be left on during loading.



### Turning Point™ Bow

Angled bracket allows bow to move freely, swinging up and over loads without binding.



### Stainless Steel

Universal bracket in stainless steel, for increased durability in corrosive environments.

## CRANK ARMS



### Straight

Provides 4-position length adjustment. Mounts vertically or horizontally. In 3 sizes.



### Shur-Flex™

Pivots on a knuckle and folds for storage. Stores on side to accommodate rear doors.



### Square Key

Improved pilot crank key on econo-joint makes for easier crank installation or removal.

## CRANK ARM HARDWARE



### Standard Retainer

Traditional J-hook uses pins and cables to secure crank to trailer.



### Pinless Retainer

Secures crank arm to trailer without pins or cables. Safe and easy to use.



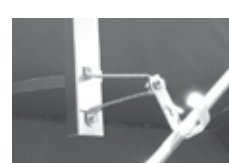
### Offset Pinless Retainer

Provides added security, eliminates pin-and-cable hassles. Use on either side of trailer.



### Standoffs

Choose from 2", 3", 7" and 11" sizes for optimal positioning of crank retainer.



### Universal Retainer Support

Accommodates a non-vertical configuration on grain carts, wagons. In 24", 33" and 42".

## CRANK ASSEMBLIES



### Extendable Spline Assembly

This allows the crank assembly to pull out and by-passes hinges and rear doors. Requires 26" cap depth.

# GENUINE SHUR-LOK® AND PBR REPLACEMENT PARTS

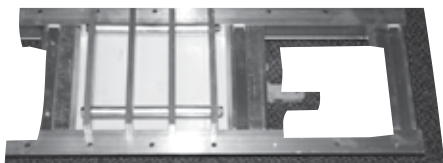


Genuine Shur-Co® replacement parts are proven to both fit and function better. For quality performance, go with the name you can trust. Remember that utilizing non-Genuine parts voids your warranty. For your convenience, we also have a comprehensive numerical listing of Shur-Co® parts and prices in Section 8.

NOTE: All components other than standard may require a non-refundable \$100 special processing fee. Call for details.

NOTE: All prices in this catalog are subject to change without notice.

TRAP-EZE™ FLOOR TRAP .....	41
TARP REPAIR SUPPLIES .....	41
<b>SHUR-LOK® AND PBR</b>	
Bow Covers .....	42
Bows .....	42-48
Crank Arms.....	49-50
Crank Retainers.....	51
End Caps.....	52-59
High-Lift End Gates.....	60
Hold-Downs.....	60
Latchplates .....	60
Returns .....	61-64
Ridge Straps .....	65-66
Ridgepoles .....	66
Roll Tube Deflectors.....	67
Tarp Cords .....	67
Tarp Stops.....	68
Tarp Tubes .....	69
SHUR-LOK® JUNIOR.....	70
BULK PRICING.....	71



## TRAP-EZE™ FLOOR TRAP P/N 1101494

Super-smooth operation – no binding! Durable nylon slide glides cleanly on its aluminum track. Welded aluminum frame will not rust.

## TARP REPAIR SUPPLIES

PRICE	ITEM	PART #	DESCRIPTION
		1108059	Professional Tarp Repair Kit*
		1102111	Standard Tarp Repair Kit* [Includes: 8; 11; 2 of 6]
		1120613	Strip Kit w/Glue [Includes: 6; 10]
		1128814	Tarp Repair Kit w/ Vinyl Tape - 6" X 10' (not shown) [Includes: 10' of 7]
		1703251	Handi Grommet Kit w/Grommets
1		1111869	2" x 3" Patch w/Radius Corners
2		1111870	3" x 4" Patch w/Radius Corners
3		1111871	4" x 5" Patch w/Radius Corners
4		1111872	3" Round Patch
5		1701391	Wooden Roller
6		1128714	Vinyl Tarp Remnant - Black
		1107371	Vinyl Tarp Remnant (specify color)
7		1706352	Vinyl Repair Tape - 6" x 50**
8		1700697	HH-66 Thinner - Pint
9		1700602	HH-66 Thinner - Gallon
10		1700356	HH-66 Vinyl Cement - 8 Oz.
11		1700355	HH-66 Vinyl Cement - Quart
12		1700354	HH-66 Vinyl Cement - Gallon
13		1700673	#3 Brass Grommet (minimum order 25)

\*Black tarp unless otherwise specified.

\*\*Not shown in diagram.



Tarp Repair Video

Shur-Co® has created a number of how-to videos, along with QR codes to take you right to them. The one pictured here links to step-by-step instructions on tarp repair.

Download any QR scanner app to your Smartphone. Open the app, then hover your phone over your chosen QR code.



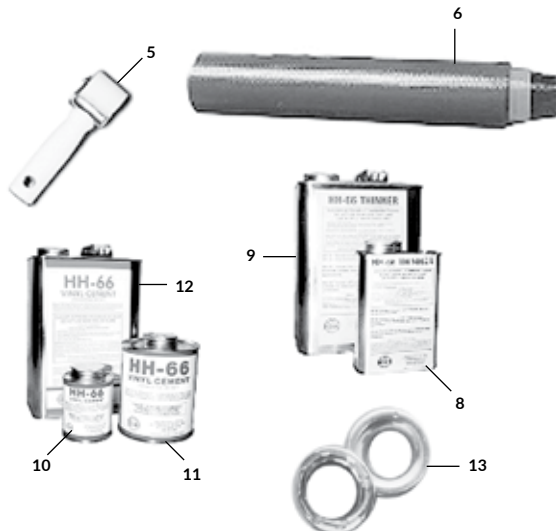
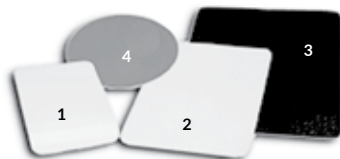
**PROFESSIONAL KIT**  
INCLUDES SCISSORS,  
10 SQ. FT. REPAIR FABRIC,  
ROLLER,  
HEAT GUN/NOZZLE  
AND INSTRUCTIONS



**GROMMET KIT**  
INCLUDES CUTTER,  
HANDLE, BASE,  
GROMMETS AND WASHERS



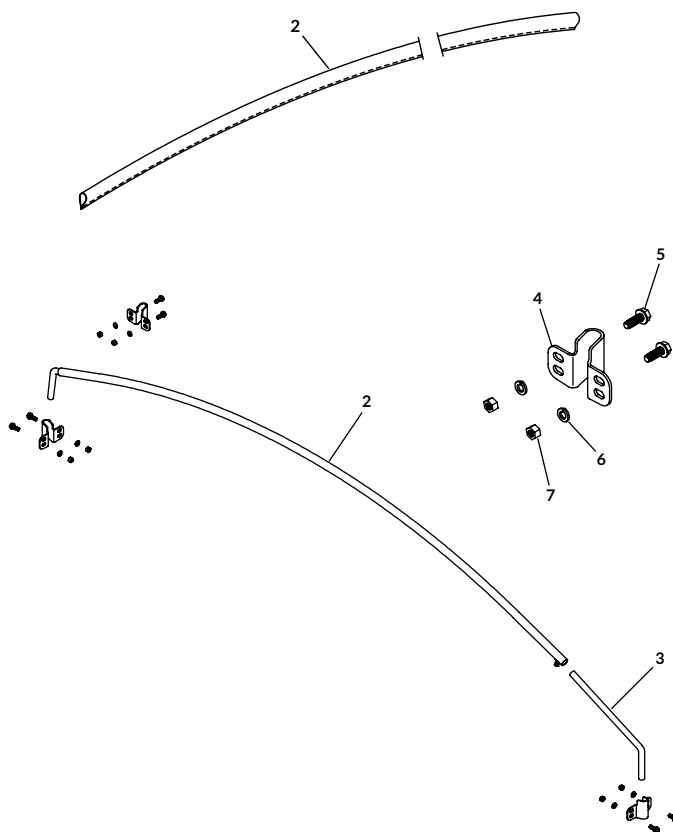
**STANDARD KIT**  
INCLUDES 1 PT. THINNER,  
1 QT. CEMENT, INSTRUCTIONS  
AND 10 SQ. FT. REPAIR FABRIC





## BOW COVERS

PRICE	ITEM	PART #	DESCRIPTION
	1	1111335	Bow Sock - 40oz Vinyl



## BOWS – ADJUSTABLE GALVANIZED STEEL

PRICE	ITEM	PART #	DESCRIPTION
		1122754	Adjustable Galvanized Bow Kit - 8" Rise - 84" to 92" * - [Includes: 11; 2; 3; 2 of 4]
		1122756	Adjustable Galvanized Bow Kit - 8" Rise - 93" to 101"* - [Includes: 1; 2; 3; 2 of 4]
		1122724	Adjustable Galvanized Bow Kit - 10" Rise - 84" to 92"* - [Includes: 1; 2; 3; 2 of 4]
		1122757	Adjustable Galvanized Bow Kit - 10" Rise - 93" to 101"* - [Includes: 1; 2; 3; 2 of 4]
		1122755	Adjustable Galvanized Bow Kit - 12" Rise - 84" to 92"* - [Includes: 1; 2; 3; 2 of 4]
		1122758	Adjustable Galvanized Bow Kit - 12" Rise - 93" to 101"* - [Includes: 1; 2; 3; 2 of 4]
		1123932	Adjustable Galvanized Bow w/Shank - 8" Rise - 84" to 92"* - [Includes: 2; 3]
		1123934	Adjustable Galvanized Bow w/Shank - 8" Rise - 93" to 101"* - [Includes: 2; 3]
		1122719	Adjustable Galvanized Bow w/Shank - 10" Rise - 84" to 92"* - [Includes: 2; 3]
		1122825	Adjustable Galvanized Bow w/Shank - 10" Rise - 93" to 101"* - [Includes: 2; 3]
		1123933	Adjustable Galvanized Bow w/Shank - 12" Rise - 84" to 92"* - [Includes: 2; 3]
		1123935	Adjustable Galvanized Bow w/Shank - 12" Rise - 93" to 101"* - [Includes: 2; 3]
		1123871	Adjustable Bow Shank & Bracket Kit - 8" Rise [Includes: 1; 3; 2 of 4]
		1123872	Adjustable Bow Shank & Bracket Kit - 12" Rise [Includes: 1; 3; 2 of 4]
	1	1107711	Mounting Fasteners (4)** [Includes: 4 of 5; 6 & 7]
	2	1122759	Adjustable Galvanized Bow - 8" Rise* - 84" to 92"
		1122818	Adjustable Galvanized Bow - 8" Rise* - 93" to 101"
		1122627	Adjustable Galvanized Bow - 10" Rise* - 84" to 92"
		1122819	Adjustable Galvanized Bow - 10" Rise* - 93" to 101"
		1122817	Adjustable Galvanized Bow - 12" Rise* - 84" to 92"
		1122820	Adjustable Galvanized Bow - 12" Rise* - 93" to 101"
	3	1122821	Galvanized Bow Long Shank - 8" Rise
		1122626	Galvanized Bow Long Shank - 10" Rise
		1122822	Galvanized Bow Long Shank - 12" Rise
	4	1120836	Single Bow Bracket
	5	1700400	Self-Tapping Screw - Non Corrosive Coating - 3/8" x 1"
	6	1700434	Lock Washer - 3/8"
	7	1700407	Hex Nut - 3/8"

\*Bow rise is typically 2" greater than rise of cap. Other rises available.

\*\* Not shown in diagram.

NOTE: All components other than standard may require a non-refundable \$100 special processing fee. Call for details.



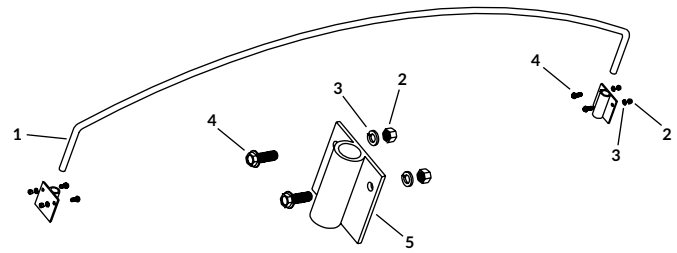
# GENUINE SHUR-LOK® AND PBR REPLACEMENT PARTS

## BOWS – ALUMINUM

PRICE	ITEM	PART #	DESCRIPTION
	1		Solid Aluminum Bow* - 8" Rise**
			Solid Aluminum Bow* - 12" Rise**
	2	1700407	Hex Nut - 3/8"
	3	1700434	Lock Washer - 3/8"
	4	1700400	Self-Tapping Screw - Non Corrosive Coating - 3/8" x 1"
	5	1109110	Aluminum Bow Bracket

\*Brackets and mounting hardware NOT included - \$25 set-up fee applies.

\*\*Bow rise is typically 2" greater than rise of cap. Other rises available.



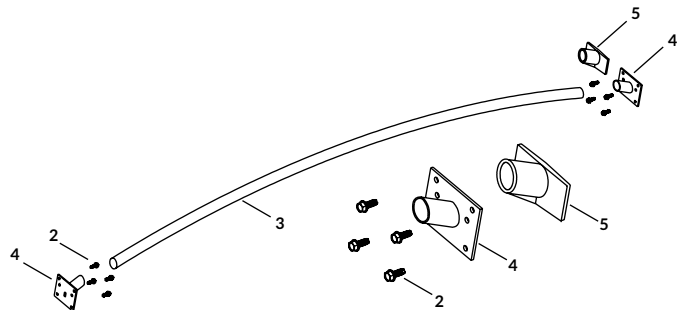
## BOWS – DURABOW™

PRICE	ITEM	PART #	DESCRIPTION
		1123544	Durabow™ Bow Kit - 97" - Steel Bracket [Includes: 1; 3; 2 of 4]
		1123541	Durabow™ Bow Kit - 102" - Steel Bracket [Includes: 1; 3; 2 of 4]
		1123545	Durabow™ Bow Kit - 97" - Aluminum Bracket [Includes: 1; 3; 2 of 5]
		1123542	Durabow™ Bow Kit - 102" - Aluminum Bracket [Includes: 1; 3; 2 of 5]
		1110653	Bow Mounting Hardware Kit - Steel [Includes: 1; 2 of 4]
		1124624	Bow Mounting Hardware Kit - Aluminum [Includes: 1; 2 of 5]
	1	1115971	Bow Mounting Fasteners - Durabow™** [Includes: 8 of 2]
	2	1700400	Self-Tapping Screw - Non Corrosive Coating - 3/8" x 1"
		1705128	Durabow™ - 97"
		1705129	Durabow™ - 102"
		1702857	Replacement Flexbow®*
	4	1122932	Durabow™ Bracket - Steel*
	5	1705324	Durabow™ Bracket - Aluminum

NOTE: Durabows are NOT recommended for low-rise applications.

\*Durabow™ steel brackets are a fit-all bracket for both Flexbow® and Durabow™. Original steel Flexbow® brackets are zinc plated; steel Durabow™ brackets are yellow plated. Durabows will NOT slide into original Flexbow® steel brackets. When ordering P/N 1702857 replacement Flexbow®, please order P/N 1123544 or P/N 1123541 Durabow™ bow kits, which include Durabow™ steel brackets.

\*\*Not shown in diagram.

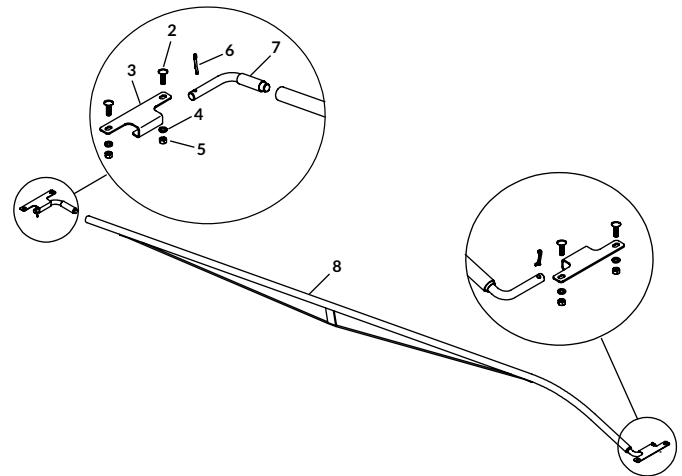


## BOWS – FLAT X-WIDE | For Grain Carts

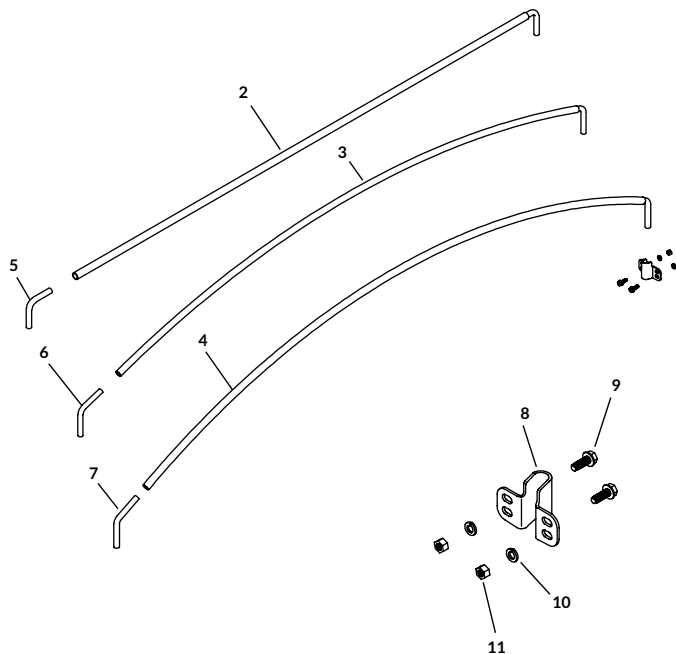
PRICE	ITEM	PART #	DESCRIPTION
		1120308	X-Wide Bow Kit* - Flat - 113" to 122" [Includes: 1; 7; 8; 2 of 3]
		1120309	X-Wide Bow Kit* - Flat - 123" to 132" [Includes: 1; 7; 8; 2 of 3]
		1120310	X-Wide Bow Kit* - Flat - 133" to 142" [Includes: 1; 7; 8; 2 of 3]
		1120311	X-Wide Bow Kit* - Flat - 143" to 152" [Includes: 1; 7; 8; 2 of 3]
		1120312	X-Wide Bow Kit* - Flat - 153" to 162" [Includes: 1; 7; 8; 2 of 3]
		1125785	X-Wide Bow Kit* - Flat - 163" to 172" [Includes: 1; 7; 8; 2 of 3]
	1	1120362	Bow Mounting Hardware - X Wide Flat** [Includes: 2 of 6; 4 of 2; 4 & 5]
	2	1703964	Truss Head Machine Screw - 3/8" x 1-1/4"
	3	1117665	Horizontal Bow Bracket
	4	1700434	Lock Washer - 3/8"
	5	1700407	Hex Nut - 3/8"
	6	1701577	Humpback Cotter Pin - 3/16" x 1-1/4"
	7	1117683	X-Wide Bow Shank - Flat
	8	1120303	X-Wide Bow* - Flat - 113" to 122"
		1120304	X-Wide Bow* - Flat - 123" to 132"
		1120305	X-Wide Bow* - Flat - 133" to 142"
		1120306	X-Wide Bow* - Flat - 143" to 152"
		1120307	X-Wide Bow* - Flat - 153" to 162"
		1122970	X-Wide Bow* - Flat - 163" to 172"

\*Measurement on bows denotes inside cart width. Bows have 6" tapered rise to ensure tight tarp tension across flat cap.

\*\*Not shown in diagram.



## BOWS - GALVANIZED STEEL STANDARD



PRICE	ITEM	PART #	DESCRIPTION
		1111781	Galvanized Bow Kit - Flat - 89" to 102" [Includes: 1; 2; 5; 2 of 8]
		1117915	Galvanized Bow Kit - 8" Rise* - 78" to 84" [Includes: 1; 3; 6; 2 of 8]
		1117916	Galvanized Bow Kit - 8" Rise* - 85" to 92" [Includes: 1; 3; 6; 2 of 8]
		1100766	Galvanized Bow Kit - 8" Rise* - 93" to 102" [Includes: 1; 3; 6; 2 of 8]
		1117917	Galvanized Bow Kit - 12" Rise* - 89" to 95" [Includes: 1; 4; 7; 2 of 8]
		1100768	Galvanized Bow Kit - 12" Rise* - 96" to 102" [Includes: 1; 4; 7; 2 of 8]
		1111782	Galvanized Bow Mounting Hardware - Flat [Includes: 1; 5; 2 of 8]
		1101608	Galvanized Bow Mounting Hardware - 8" Rise* [Includes: 1; 6; 2 of 8]
		1106968	Galvanized Bow Mounting Hardware - 12" Rise* [Includes: 1; 7; 2 of 8]
	1	1107711	Mounting Fasteners (4)** [Includes: 4 of 9; 10 & 11]
	2	1109149	Galvanized Bow - Flat - 89" to 102"
	3	1117904	Galvanized Bow - 8" Rise* - 78" to 84"
		1116120	Galvanized Bow - 8" Rise* - 85" to 92"
		1100760	Galvanized Bow - 8" Rise* - 93" to 102"
	4	1117905	Galvanized Bow - 12" Rise* - 89" to 95"
		1100762	Galvanized Bow - 12" Rise* - 96" to 102"
	5	1109150	Galvanized Bow Shank - Flat
	6	1100695	Galvanized Bow Shank - 8" Rise*
	7	1106925	Galvanized Bow Shank - 12" Rise*
	8	1120836	Single Bow Bracket
	9	1700400	Self-Tapping Screw - Non Corrosive Coating - 3/8" x 1"
	10	1700434	Lock Washer - 3/8"
	11	1700407	Hex Nut - 3/8"

\*Bow rise is typically 2" greater than rise of cap. Other rises available.

\*\*Not shown in diagram.

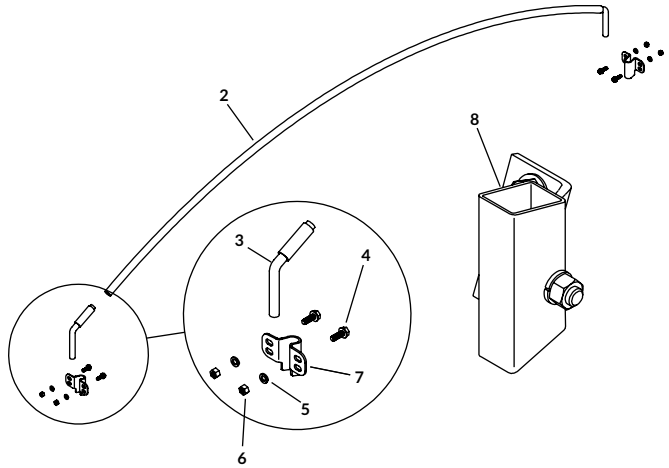
NOTE: All components other than standard may require a non-refundable \$100 special processing fee. Call for details.

## BOWS – GALVANIZED STEEL X-WIDE 1 PC.

PRICE	ITEM	PART #	DESCRIPTION
		1119465	X-Wide Bow Kit - 12" Rise* - 99" to 104" [Includes: 1; 2; 3; 2 of 7]
		1119466	X-Wide Bow Kit - 12" Rise* - 104-1/2" to 109-1/2" [Includes: 1; 2; 3; 2 of 7]
		1119464	X-Wide Bow Kit - 12" Rise* - 109" [Includes: 1; 2; 3; 2 of 7]
		1119467	X-Wide Bow Kit - 12" Rise* - 110" to 115" [Includes: 1; 2; 3; 2 of 7]
		1119468	X-Wide Bow Kit - 12" Rise* - 115-1/2" to 121" [Includes: 1; 2; 3; 2 of 7]
		1119469	X-Wide Bow Kit - 12" Rise* - 121-1/2" to 127" [Includes: 1; 2; 3; 2 of 7]
		1119470	X-Wide Bow Kit - 12" Rise* - 127-1/2" to 134" [Includes: 1; 2; 3; 2 of 7]
		1119471	X-Wide Bow Kit - 12" Rise* - 134-1/2" to 141" [Includes: 1; 2; 3; 2 of 7]
	1	1107711	Mounting Fasteners (4) [Includes: 4 of 4; 5 & 6]
	2	1119227	Galvanized Bow - 12" Rise* - 99" to 104"
		1119220	Galvanized Bow - 12" Rise* - 104-1/2" to 109-1/2"
		1118724	Galvanized Bow - 12" Rise* - 109"
		1119219	Galvanized Bow - 12" Rise* - 110" to 115"
		1119218	Galvanized Bow - 12" Rise* - 115-1/2" to 121"
		1119217	Galvanized Bow - 12" Rise* - 121-1/2" to 127"
		1119216	Galvanized Bow - 12" Rise* - 127-1/2" to 134"
		1119215	Galvanized Bow - 12" Rise* - 134-1/2" to 141"
	3	1119233	X-Wide Bow Shank - 12" Rise* - 99" to 109-1/2"
		1119232	X-Wide Bow Shank - 12" Rise* - 110" to 127"
		1119231	X-Wide Bow Shank - 12" Rise* - 127-1/2" to 141"
	4	1700400	Self-Tapping Screw - Non Corrosive Coating - 3/8" x 1"
	5	1700434	Lock Washer - 3/8"
	6	1700407	Nut - 3/8"
	7	1120836	Single Bow Bracket
	8	1117946	Adjustable Bow Bracket

\*Bow rise is typically 2" greater than rise of cap. Other rises available.

\*\*Not shown in diagram.



## BOWS – GALVANIZED STEEL X-WIDE 2 PC.

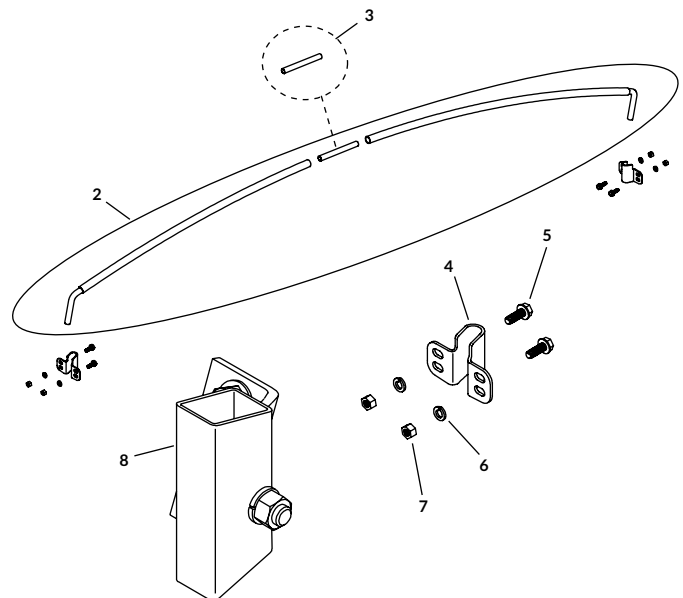
PRICE	ITEM	PART #	DESCRIPTION
		1106943	Galvanized X-Wide Bow Kit - 8" Rise* - 103" to 168" [Includes: 1; 2; 3; 2 of 4]
		1106941	Galvanized X-Wide Bow Kit - 12" Rise* - 103" to 168" [Includes: 1; 2; 3; 2 of 4]
		1106942	Galvanized Bow Mounting Hardware - X-Wide [Includes: 1; 2; 3; 2 of 4]
	1	1107711	Mounting Fasteners (4)*** [Includes: 4 of 5; 6 & 7]
	2	1116118	Galvanized X-Wide Bow** - 8" Rise* - 103" to 168"
		1116119	Galvanized X-Wide Bow** - 12" Rise* - 103" to 168"
	3	1100685	Galvanized X-Wide Bow Connector Tube
	4	1120836	Single Bow Bracket
	5	1700400	Self-Tapping Screw - Non Corrosive Coating - 3/8" x 1"
	6	1700434	Lock Washer - 3/8"
	7	1700407	Hex Nut - 3/8"
	8	1117946	Adjustable Bow Bracket

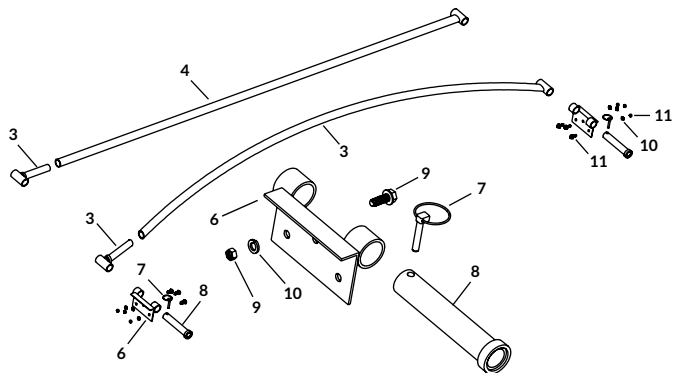
\*Bow rise is typically 2" greater than rise of cap. Other rises available.

\*\*Includes bow halves and connector tube.

\*\*\*Not shown in diagram.

NOTE: All components other than standard may require a non-refundable \$100 special processing fee. Call for details.



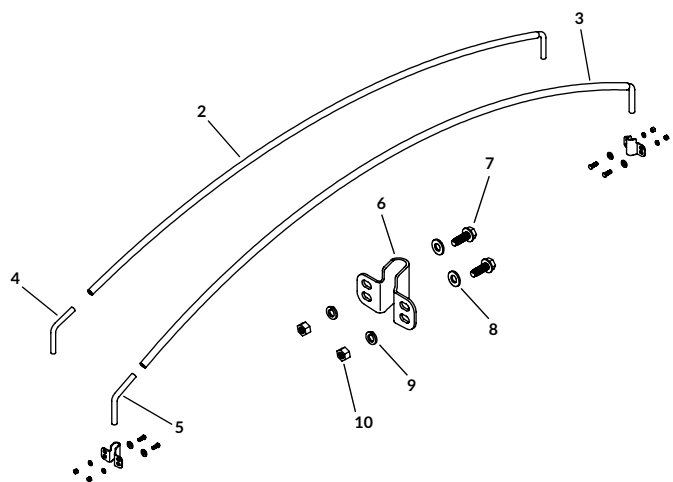


## BOWS - HEAVY DUTY

PRICE	ITEM	PART #	DESCRIPTION
		1112667	Heavy-Duty Bow Kit - Flat [Includes: 1; 4]
		1126917	Heavy-Duty Bow Kit - 3" Rise* [Includes: 1; 5]
		1106615	Heavy-Duty Bow Kit - 8" Rise* [Includes: 1; 5]
		1102697	Heavy-Duty Bow Kit - 12" Rise* [Includes: 1; 5]
1	1107245		Bow Mounting Hardware - Heavy Duty** [Includes: 2; 3; 2 of 6 & 8]
2	1107244		Bow Mounting Fasteners - Heavy Duty** [Includes: 7; 6 of 9; 10 & 11]
3	1104706		Heavy-Duty Bow Shank
4	1112669		Heavy-Duty Bow - Flat
5	1123052		Heavy-Duty Bow - 3" Rise*
		1106612	Heavy-Duty Bow - 8" Rise*
		1101927	Heavy-Duty Bow - 12" Rise*
6	1106614		Heavy-Duty Bow Bracket
7	1701098		Lynch Pin - 5/16" x 1-3/4"
8	1104123		Heavy-Duty Bow Pin
9	1700407		Hex Nut - 3/8"
10	1700434		Lock Washer - 3/8"
11	1700400		Self-Tapping Screw - Non Corrosive Coating - 3/8" x 1"

\*Bow rise is typically 2" greater than rise of cap. Other rises available.

\*\*Not shown in diagram.



## BOWS - STAINLESS STEEL STANDARD

PRICE	ITEM	PART #	DESCRIPTION
		1120351	Stainless Bow Kit - 8" Rise* - 78" to 84" [Includes: 1; 2; 4; 2 of 6]
		1120352	Stainless Bow Kit - 8" Rise* - 85" to 92" [Includes: 1; 2; 4; 2 of 6]
		1120353	Stainless Bow Kit - 8" Rise* - 93" to 102" [Includes: 1; 2; 4; 2 of 6]
		1120354	Stainless Bow Kit - 12" Rise* - 82" to 88" [Includes: 1; 3; 5; 2 of 6]
		1120355	Stainless Bow Kit - 12" Rise* - 89" to 95" [Includes: 1; 3; 5; 2 of 6]
		1120356	Stainless Bow Kit - 12" Rise* - 96" to 102" [Includes: 1; 3; 5; 2 of 6]
1	1116275		Stainless Bow Mounting Fasteners (4)** [Includes: 4 of 7; 8; 9 & 10]
2	1120286		Stainless Bow - 8" Rise* - 78" to 84"
		1120287	Stainless Bow - 8" Rise* - 85" to 92"
		1119765	Stainless Bow - 8" Rise* - 93" to 102"
3	1120288		Stainless Bow - 12" Rise* - 82" to 88"
		1120289	Stainless Bow - 12" Rise* - 89" to 95"
		1120290	Stainless Bow - 12" Rise* - 96" to 102"
4	1119766		Stainless Bow Shank - 8" Rise*
5	1116754		Stainless Bow Shank - 12" Rise*
6	1120975		Stainless Single Bow Bracket
7	1703579		Stainless Hex Head Cap Screw - 3/8" x 1"
8	1703577		Stainless Flat Washer - 3/8"
9	1703576		Stainless Lock Washer - 3/8"
10	1200999		Stainless Hex Nut - 3/8"

\*Bow rise is typically 2" greater than rise of cap. Other rises available.

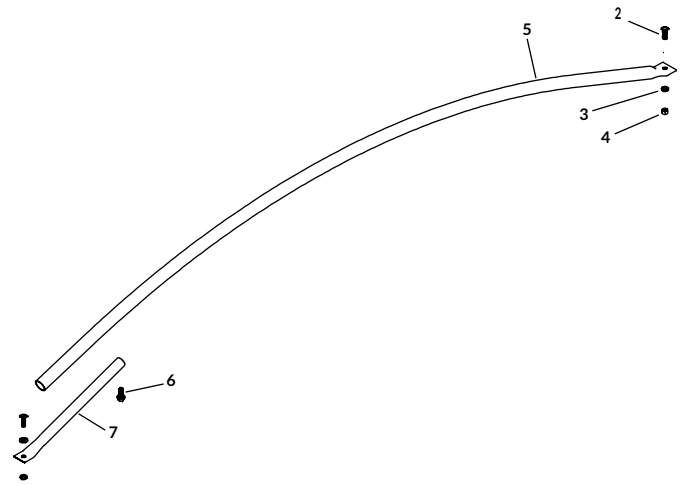
\*\*Not shown in diagram.

NOTE: All components other than standard may require a non-refundable \$100 special processing fee. Call for details.

# GENUINE SHUR-LOK® AND PBR REPLACEMENT PARTS

## BOWS - STAINLESS STEEL TOP MOUNT

PRICE	ITEM	PART #	DESCRIPTION
		1119414	Stainless Bow Kit - 8" Rise* - 84" to 87-1/2" [Includes: 1; 5; 7]
		1119415	Stainless Bow Kit - 8" Rise* - 88" to 91-1/2" [Includes: 1; 5; 7]
		1119416	Stainless Bow Kit - 8" Rise* - 92" to 95-1/2" [Includes: 1; 5; 7]
		1119417	Stainless Bow Kit - 8" Rise* - 96" to 99-1/2" [Includes: 1; 5; 7]
		1119418	Stainless Bow Kit - 8" Rise* - 100" to 103-1/2" [Includes: 1; 5; 7]
		1119419	Stainless Bow Kit - 8" Rise* - 104" to 107-1/2" [Includes: 1; 5; 7]
		1119420	Stainless Bow Kit - 8" Rise* - 108" to 111-1/2" [Includes: 1; 5; 7]
		1119421	Stainless Bow Kit - 8" Rise* - 112" to 115-1/2" [Includes: 1; 5; 7]
		1119422	Stainless Bow Kit - 8" Rise* - 120" to 123-1/2" [Includes: 1; 5; 7]
		1119405	Stainless Bow Kit - 12" Rise* - 84" to 87-1/2" [Includes: 1; 5; 7]
		1119406	Stainless Bow Kit - 12" Rise* - 88" to 91-1/2" [Includes: 1; 5; 7]
		1119407	Stainless Bow Kit - 12" Rise* - 92" to 95-1/2" [Includes: 1; 5; 7]
		1119408	Stainless Bow Kit - 12" Rise* - 96" to 99-1/2" [Includes: 1; 5; 7]
		1119409	Stainless Bow Kit - 12" Rise* - 100" to 103-1/2" [Includes: 1; 5; 7]
		1119410	Stainless Bow Kit - 12" Rise* - 104" to 107-1/2" [Includes: 1; 5; 7]
		1119411	Stainless Bow Kit - 12" Rise* - 108" to 111-1/2" [Includes: 1; 5; 7]
		1119412	Stainless Bow Kit - 12" Rise* - 112" to 115-1/2" [Includes: 1; 5; 7]
		1119413	Stainless Bow Kit - 12" Rise* - 120" to 123-1/2" [Includes: 1; 5; 7]
	1	1118626	Stainless Bow Mounting Fasteners - Top Mount** [Includes: 6; 2 of 2; 3 & 4]
	2	1706546	Stainless Flange Button Head - 3/8" x 1-1/4"
	3	1703576	Stainless Lock Washer - 3/8"
	4	1200999	Stainless Hex Nut - 3/8"
	5	1119184	Stainless Bow - 8" Rise* - 84" to 87-1/2"
		1119248	Stainless Bow - 8" Rise* - 88" to 91-1/2"
		1119250	Stainless Bow - 8" Rise* - 92" to 95-1/2"
		1119182	Stainless Bow - 8" Rise* - 96" to 99-1/2"
		1119246	Stainless Bow - 8" Rise* - 100" to 103-1/2"
		1119190	Stainless Bow - 8" Rise* - 104" to 107-1/2"
		1119192	Stainless Bow - 8" Rise* - 108" to 111-1/2"
		1119194	Stainless Bow - 8" Rise* - 112" to 115-1/2"
		1119196	Stainless Bow - 8" Rise* - 120" to 123-1/2"
		1119185	Stainless Bow - 12" Rise* - 84" to 87-1/2"
		1119249	Stainless Bow - 12" Rise* - 88" to 91-1/2"
		1119251	Stainless Bow - 12" Rise* - 92" to 95-1/2"
		1119183	Stainless Bow - 12" Rise* - 96" to 99-1/2"
		1119247	Stainless Bow - 12" Rise* - 100" to 103-1/2"
		1119191	Stainless Bow - 12" Rise* - 104" to 107-1/2"
		1119193	Stainless Bow - 12" Rise* - 108" to 111-1/2"
		1119195	Stainless Bow - 12" Rise* - 112" to 115-1/2"
		1119197	Stainless Bow - 12" Rise* - 120" to 123-1/2"
	6	1700400	Self-Tapping Screw - Non Corrosive Coating - 3/8" x 1"
	7	1118624	Stainless Bow Extension

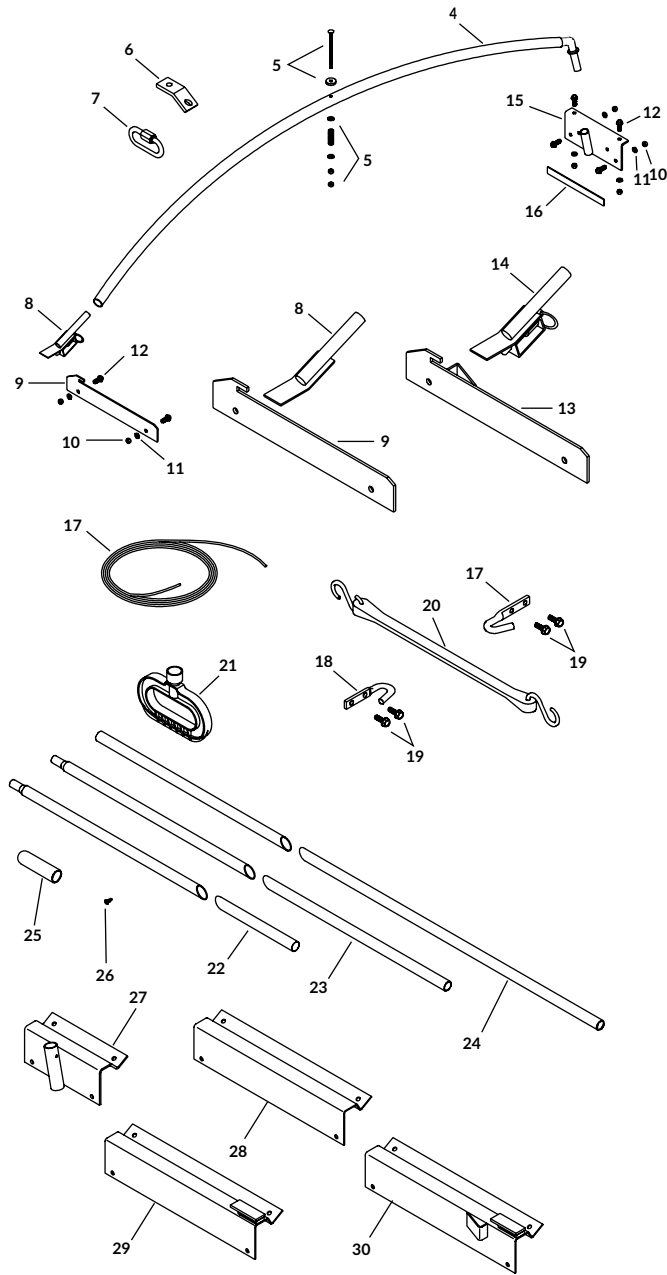


\*Bow rise is typically 2" greater than rise of cap. Other rises available.

\*\*Not shown in diagram.

NOTE: All components other than standard may require a non-refundable \$100 special processing fee. Call for details.





## BOWS – TURNING POINT™ w/RIDGEPOLES

PRICE	SIZE*	DESCRIPTION
	10' - 16'	TPB Kit w/16' Ridgepole - 8" or 12" Rise - 3 Bows [Includes: 1; 2; 13; 14; 22; 3 of 3; 4; 8; 9; 15; 9 of 16]
	17' - 18'	TPB Kit w/20' Ridgepole - 8" or 12" Rise - 4 Bows [Includes: 1; 2; 13; 14; 23; 3 of 8; 9; 4 of 3; 4; 15; 12 of 16]
	19' - 24'	TPB Kit w/24' Ridgepole - 8" or 12" Rise - 4 Bows [Includes: 1; 2; 13; 14; 24; 3 of 8; 9; 4 of 3; 4; 15; 12 of 16]
	25' - 26'	TPB Kit w/32' Ridgepole - 8" or 12" Rise - 5 Bows [Includes: 1; 2; 13; 14; 2 of 22; 4 of 8; 9; 5 of 3; 4; 15; 15 of 16]
	27' - 32'	TPB Kit w/32' Ridgepole - 8" or 12" Rise - 5 Bows [Includes: 1; 2; 13; 14; 2 of 22; 4 of 8; 9; 5 of 3; 4; 15; 15 of 16]
	33' - 34'	TPB Kit w/36' Ridgepole - 8" or 12" Rise - 6 Bows [Includes: 1; 2; 13; 14; 22; 23; 5 of 8; 9; 6 of 3; 4; 15; 18 of 16]
	35' - 40'	TPB Kit w/40' Ridgepole - 8" or 12" Rise - 6 Bows [Includes: 1; 2; 13; 14; 2 of 23; 5 of 8; 9; 6 of 3; 4; 15; 18 of 16]
	41' - 43'	TPB Kit w/44' Ridgepole - 8" or 12" Rise - 7 Bows [Includes: 1; 2; 13; 14; 23; 24; 6 of 8; 9; 7 of 3; 4; 15; 21 of 16]
	44' - 48'	TPB Kit w/48' Ridgepole - 8" or 12" Rise - 7 Bows [Includes: 1; 2; 13; 14; 2 of 24; 6 of 8; 9; 7 of 3; 4; 15; 21 of 16]
1	1105310	Rollaway Ridgepole Hdw. [Includes: 2 of 25 & 26]***
2	1105339	Pull Rope Kit [Includes: 6; 7; 17; 20; 21; 2 of 18; 4 of 19]***
3	1105340	Bow Mounting Hardware - Turning Point™ [Includes: 5; 6 of 10; 11; 12]***
4	1105337	Turning Point™ Bow - 8" Rise
	1105331	Turning Point™ Bow - 12" Rise
5	1110368	Bow Attachment Spring Assembly
6	1105325	Pull Rope Anchor
7	1701219	Quick Link - 5/16"
8	1105333	Bow Rest - 8" Rise
	1105327	Bow Rest - 12" Rise
9	1105314	Bow Stop
10	1700407	Hex Nut - 3/8"
11	1700434	Lock Washer - 3/8"
12	1700400	Self-Tapping Screw - Non Corrosive Coating - 3/8" x 1"
13	1105320	Turning Point™ Bow Stop w/Catch
14	1105338	Bow Rest/Latch - 8" Rise
	1105322	Bow Rest/Latch - 12" Rise
15	1105317	Bow Pivot Bracket
16	1107006	Pivot Bracket Spacer
17	1100469	Rope - 32'
18	1700682	Box Hook - 5/16" Holes
19	1700403	Self-Tapping Screw - 1/4" x 3/4"
20	1700649	Goldline™ Rubber Strap - 15"
21	1106929	Pull Handle
22	1701204	Ridgepole Tube - 16'
	1706159	Ridgepole Tube - 8'
23	1701205	Ridgepole Tube - 20'
	1706158	Ridgepole Tube - 11'
24	1701206	Ridgepole Tube - 24'
	1706157	Ridgepole Tube - 15'
25	1700212	Protective Cap
26	1704768	Flat-Headed Self-Drilling Screw - 1/4" x 3/4"
27	1106805	Bow Pivot Bracket**
28	1106806	Skid Plate**
29	1106809	Skid Plate w/Stop**
30	1106810	Skid Plate w/Catch**

\*Order Turning Point™ bow kits by size of trailer, specifying 8" rise or 12" rise. Reverse roll option available; call for details.

\*\*Items used for 39' Alumatech trailer ONLY.

\*\*\*Not shown in diagram.

See ELECTRIC TURNING POINT™ BOW SYSTEM, Section 2 – Electrics, pg. 19.

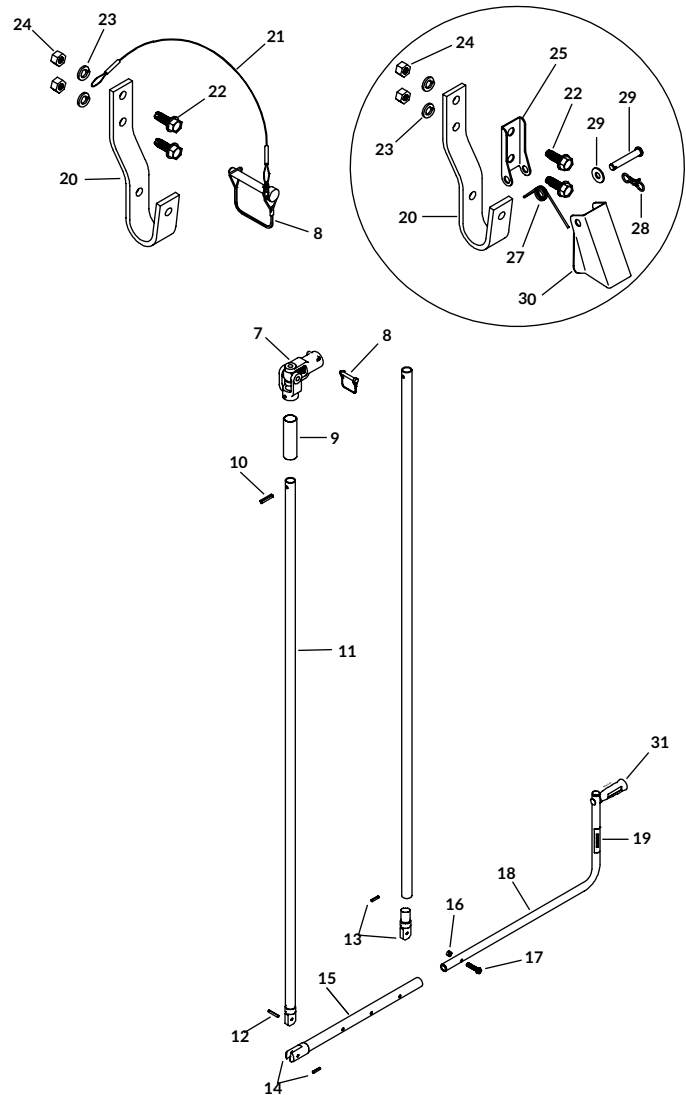
NOTE: All components other than standard may require a non-refundable \$100 special processing fee. Call for details.

NOTE: See asterisked items at left

# GENUINE SHUR-LOK® AND PBR REPLACEMENT PARTS

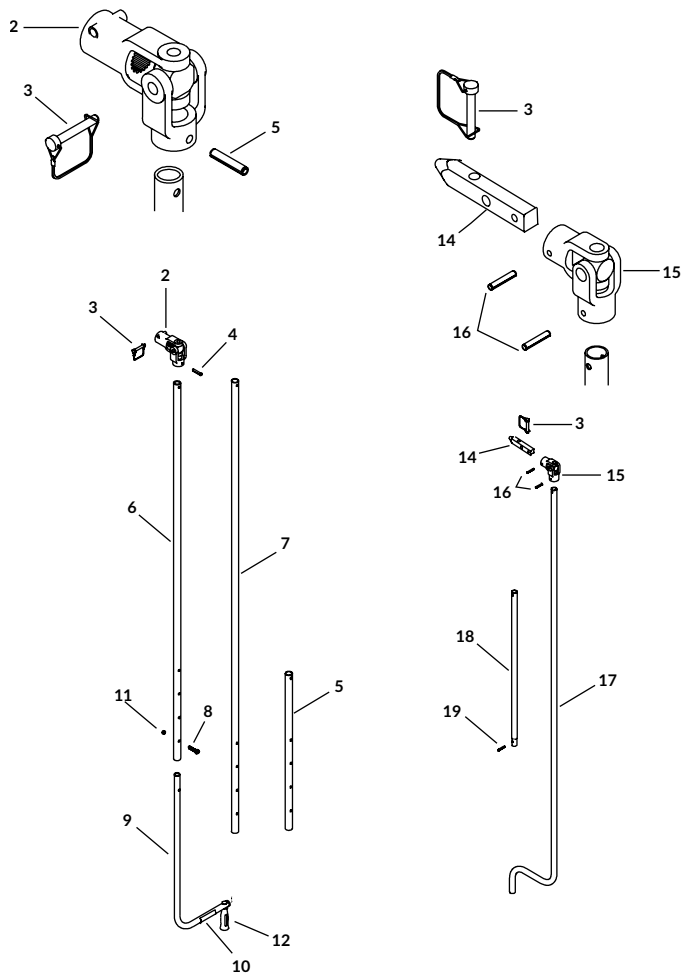
## CRANK ARMS - SHUR-FLEX™

PRICE	ITEM	PART #	DESCRIPTION
		1101931	Shur-Flex™ Crank Arm Kit - 40" Extension [Includes: 4; 6; 7; 18]
		1107918	Shur-Flex™ Crank Arm Kit - 54" Extension [Includes: 4; 6; 7; 18]
		1102782	Shur-Flex™ Crank Arm Kit - 80" Extension [Includes: 4; 6; 7; 18]
		1105176	Shur-Flex™ Crank Arm Kit - 96" Extension [Includes: 4; 6; 7; 18]
		1101933	Shur-Flex™ Conversion Kit - 40" w/Offset Retainers [Includes: 4; 6; 4 of 1]
		1116243	Shur-Flex™ Conversion Kit - 54" w/Offset Retainers [Includes: 4; 6; 4 of 1]
		1115376	Shur-Flex™ Conversion Kit - 40" w/Offset Pinless Retainers [Includes: 4; 6; 4 of 2]
		1116242	Shur-Flex™ Conversion Kit - 54" w/Offset Pinless Retainers [Includes: 4; 6; 4 of 2]
1	1101929	Offset Crank Retainer Kit* [Includes: 5; 20]	
2	1114603	Offset Pinless Crank Retainer Kit* [Includes: 3; 20]	
3	1114602	Offset Pinless Crank Retainer Conversion Kit* [Includes: 25; 26; 27; 28; 29; 30; 22; 23; 24]	
4	1101932	Shur-Flex™ Crank Extension - 40" [Includes: 9; 11; 12; 15]	
	1105048	Shur-Flex™ Crank Extension - 54" [Includes: 9; 11; 12; 15]	
	1117752	Shur-Flex™ Crank Extension - 80" [Includes: 9; 11; 12; 15]	
	1105047	Shur-Flex™ Crank Extension - 96" [Includes: 9; 11; 12; 15]	
5	1107062	Offset Crank Retainer Hardware* [Includes: 8; 21; 2 of 22; 23 & 24]	
6	1105305	Shur-Lok® Crank Hardware* [Includes: 8; 10; 16; 17]	
7	1701243	Splined U-Joint	
8	1700526	Wire Lock Pin - 3/8" x 2-1/2"	
9	1101924	Lock Tube - 5-1/2"	
10	1700443	Spring Pin - 3/8" x 2"	
11	1105001	Shur-Flex™ Upper Crank Extension - 40"	
	1105050	Shur-Flex™ Upper Crank Extension - 54"	
	1117753	Shur-Flex™ Upper Crank Extension - 80"	
	1105049	Shur-Flex™ Upper Crank Extension - 96"	
12	1701118	Spring Pin - 1/4" x 1-3/16"	
13	1122522	Male Knuckle w/Pin	
14	1122523	Female Knuckle w/Pin	
15	1102691	Lower Extension - 20"	
16	1700418	Centerlock Hex Nut - 3/8"	
17	1700369	Hex Head Cap Screw - 3/8" x 1-3/4"	
18	1100171	Standard Crank Arm - 24"	
19	1100362	Operating Decal	
20	1101930	Offset J-Hook Crank Retainer	
21	1100574	Cable w/#5 Interlock Snap	
22	1700400	Self-Tapping Screw - Non Corrosive Coating - 3/8" x 1"	
23	1700434	Lock Washer - 3/8"	
24	1700407	Hex Nut - 3/8"	
25	1114599	Offset Pinless Crank Retainer Base Plate	
26	1703133	Clevis Pin - 5/16" x 1-3/4"	
27	1703134	Tension Spring	
28	1704380	Bowtie Cotter Pin - 1-3/8"	
29	1700427	Flat Washer - 1/4"	
30	1114600	Offset Pinless Crank Retainer Lock	
31	1116110	Crank Handle Kit (Handle - Washer - Nut)	



\*Not shown in diagram.

NOTE: All components other than standard may require a non-refundable \$100 special processing fee. Call for details.



## CRANK ARMS – STANDARD

PRICE	ITEM	PART #	DESCRIPTION
<b>For SHUR-LOK® ROLL TARPS</b>			
		1100812	Standard Crank Arm Kit - 33" Extension [Includes: 1; 2; 5; 2]
		1100816	Standard Crank Arm Kit - 80" Extension [Includes: 1; 2; 6; 9]
		1122845	Standard Crank Arm Kit - 96" Extension [Includes: 1; 2; 7; 9]
		1100813	Long Crank Arm Kit - 80" Extension [Includes: 1; 2; 6; 9]
	1	1105305	Shur-Lok® Crank Hardware** [Includes: 3; 4; 8; 11]
	2	1701243	Splined U-Joint
	3	1700526	Wire Lock Pin - 3/8" x 2-1/2"
	4	1700443	Spring Pin - 3/8" x 2"
	5	1100687	Crank Extension - 33"
	6	1100028	Crank Extension - 80"
	7	1106449	Crank Extension - 96"
	8	1700369	Hex Head Cap Screw - 3/8" x 1-3/4"
	9	1100171	Standard Crank Arm - 24"
	10	1100069	Long Crank Arm - 60"
	11	1100362	Operating Decal
	12	1700418	Centerlock Hex Nut - 3/8"
	13	1116110	Crank Handle Kit (Handle - Washer - Nut)
<b>For BELT 'N RATCHET ROLL TARPS</b>			
		1100061	Standard Belt 'n Ratchet Crank Arm Kit* [Includes: 13; 15; 17]
		1101500	Long Belt 'n Ratchet Crank Arm Kit* [Includes: 13; 15; 17; 18]
	13	1115970	PBR Crank Hardware** [Includes: 14; 19; 2 of 16]
	14	1115774	Pilot Crank Key
	15	1700527	Econo U-Joint
	16	1700445	Spring Pin - 1/4" x 1-1/2"
	17	1100461	Offset Crank Arm
	18	1107838	Square Crank Extension - 33"
	19	1701118	Spring Pin - 1/4" x 1-3/16"

\*Leave-on crank option requires wire lock pin [2], sold separately.

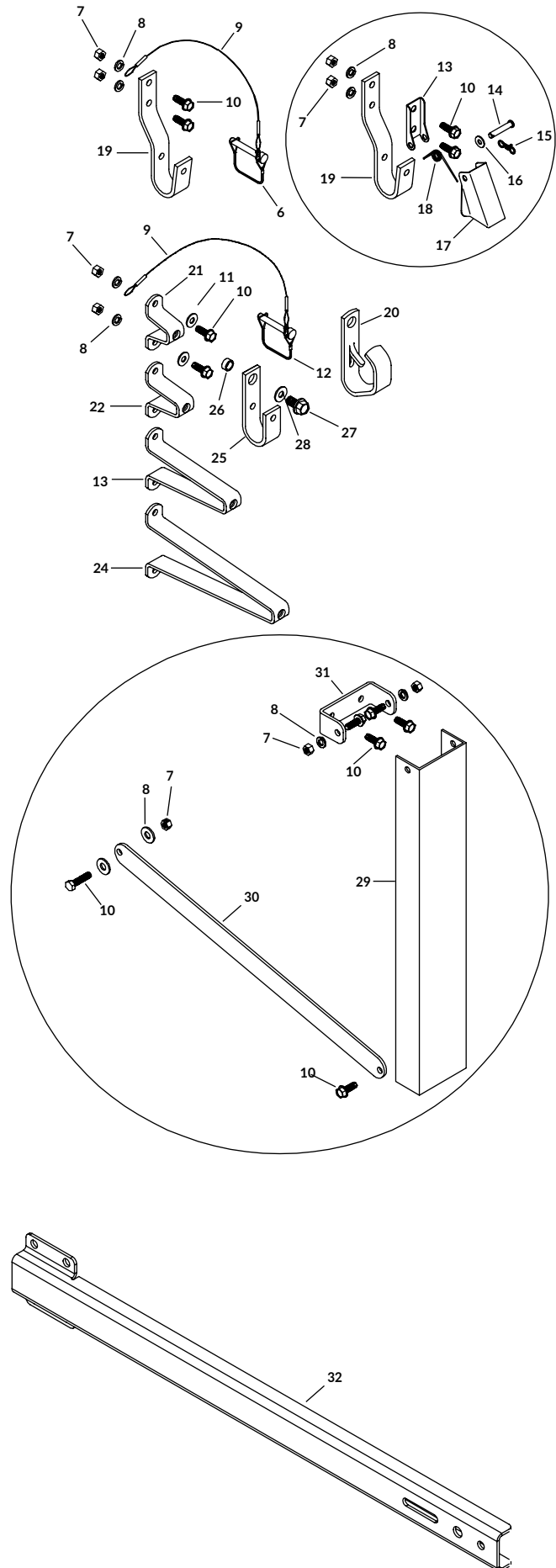
\*\*Not shown in diagram.

NOTE: All components other than standard may require a non-refundable \$100 special processing fee. Call for details.

# GENUINE SHUR-LOK® AND PBR REPLACEMENT PARTS

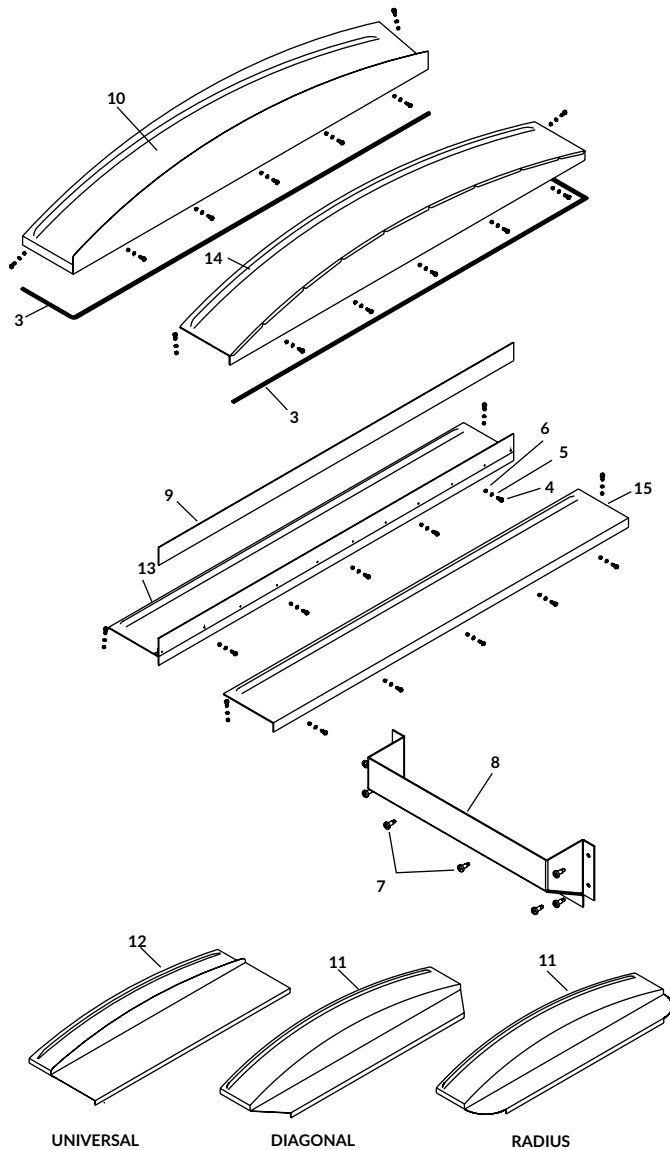
## CRANK RETAINERS

PRICE	ITEM	PART #	DESCRIPTION
		1100388	Crank Retainer Kit w/2" Standoff [Includes: 2; 21; 25]
		1118649	Crank Retainer Kit w/3" Standoff [Includes: 2; 22; 25]
		1100386	Crank Retainer Kit w/7" Standoff [Includes: 2; 23; 25]
		1120633	Crank Retainer Kit w/11" Standoff [Includes: 2; 24; 25]
		1107048	Pinless Crank Retainer Kit w/2" Standoff [Includes: 3; 20; 21]
		1109115	Pinless Crank Retainer Kit w/3" Standoff [Includes: 3; 20; 22]
		1107047	Pinless Crank Retainer Kit w/7" Standoff [Includes: 3; 20; 22]
		1109479	Pinless Crank Retainer Kit w/11" Standoff [Includes: 3; 20; 24]
		1115515	Stainless Pinless Crank Retainer Kit w/7" Standoff [Includes: 4; 20; 23]
		1115516	Stainless Pinless Crank Retainer Kit w/11" Standoff [Includes: 4; 20; 24]
		1107052	Pinless Crank Retainer Kit [Includes: 20; 26; 27]
		1101929	Offset Crank Retainer Kit [Includes: 1; 19]
		1114603	Offset Pinless Crank Retainer Kit [Includes: 1; 19]
		1117438	Universal Crank Retainer Support Kit -42"* [Includes: 6; 29; 2 of 30; 31]
1		1114602	Offset Pinless Crank Retainer Conversion Kit** [Includes: 13; 14; 15; 16; 17; 18; 2 of 7; 8 & 10]
2		1107061	Crank Retainer Hardware Kit** [Includes: 9; 12; 26; 27; 2 of 7; 8 & 10]
3		1107063	Pinless Crank Retainer Hardware Kit** [Includes: 26; 27; 2 of 7; 8 & 10]
4		1116167	Stainless Pinless Crank Retainer Hardware Kit** [Includes: 26; 27; 28; 7; 2 of 8; 10 & 11]
5		1107062	Offset Crank Retainer Hardware Kit** [Includes: 9; 12; 2 of 7; 8 & 10]
6		1119159	Mounting Fasteners** (10) [Includes: 10 of 7; 8 & 10]
7		1700407	Hex Nut - 3/8"
		1200999	Stainless Hex Nut - 3/8"
8		1700434	Lock Washer - 3/8"
		1703576	Stainless Lock Washer - 3/8"
9		1100574	Cable w/#5 Interlock Snap
10		1700400	Self-Tapping Screw - Non Corrosive Coating - 3/8" x 1"
		1703579	Stainless Hex Head Cap Screw - 3/8" x 1"
11		1703577	Stainless Flat Washer - 3/8"
12		1700526	Wire Lock Pin - 3/8" x 2-1/2"
13		1114599	Offset Pinless Crank Retainer Base Plate
14		1703133	Clevis Pin - 5/16" x 1-3/4"
15		1704380	Bowtie Cotter Pin - 1-3/8"
16		1700427	Flat Washer - 1/4"
17		1114600	Offset Pinless Crank Retainer Lock
18		1703134	Tension Spring
19		1101930	Offset J-Hook Crank Retainer
20		1107049	Pinless Crank Retainer
		1115514	Stainless Pinless Crank Retainer
21		1100137	Crank Retainer Standoff - 2"
22		1107080	Crank Retainer Standoff - 3"
23		1100033	Crank Retainer Standoff - 7"
		1115511	Stainless Crank Retainer Standoff - 7"
24		1109478	Crank Retainer Standoff - 11"
		1115513	Stainless Crank Retainer Standoff - 11"
25		1100040	J-Hook Crank Retainer
26		1100306	Retainer Bushing - 11/16"
27		1702996	Flanged Cap Screw - 1/2" x 1-1/4"
		1703619	Stainless Hex Head Cap Screw - 1/2" x 1-1/4"
28		1703620	Stainless Flat Washer - 1/2"
29		1117437	Crank Support Bracket - 42"
30		1116557	Swivel Support Brace
31		1116554	Crank Support Base Plate
32		1119602	Steel Crank Support Bracket - 30"



\*For use on some grain carts - universal crank retainer support kit does NOT include crank retainer assembly.

\*\*Not shown in diagram.



## END CAPS – ALUMINUM

PRICE	ITEM	PART #	DESCRIPTION
		1128815	Vent Cover Kit [Includes: 1; 8]
		1107785	Cap Mounting Hardware w/Trim Seal - 110" [Includes: 2; 3]
		1107786	Cap Mounting Hardware w/Trim Seal - 132" [Includes: 2; 3]
		1125572	Cap Mounting Hardware w/Adhesive Seal - 138" [Includes: 2; 3]
	1	1128788	Vent Cover Hardware*** [Includes: 8 of 7]
	2	1107787	Mounting Fasteners*** (7) [Includes: 7 of 4; 5; 6]
	3	1100165	Trim Seal - 110"
		1100357	Trim Seal - 132"
		1117512	Adhesive Rubber Seal - 138"
		1700152	Trim Seal (per foot)
		1704678	Adhesive Rubber Seal (per foot)
	4	1700400	Self-Tapping Screw - Non Corrosive Coating - 3/8" x 1"
	5	1700434	Lock Washer - 3/8"
	6	1700407	Hex Nut - 3/8"
	7	1700398	Self-Drilling Screw - 1/4" x 3/4"
	8	1117655	Vent Cover
	9	1701238	Rubber Windshield (per foot)
		<b>ALUMINUM FRONT CAPS</b>	
	10	1107396	Square Front - 6" Rise*** x 11-1/4" Deep x 94"
		1107395	Square Front - 6" Rise*** x 11-1/4" Deep x 95"
		1107406	Square Front - 6" Rise*** x 11-1/4" Deep x 96"
		1107480	Square Front - 6" Rise*** x 11-1/4" Deep x 102"
		1107493	Square Front - 10" Rise*** x 11-1/4" Deep x 96"
		1107514	Square Front - 10" Rise*** x 11-1/4" Deep x 102"
	11		Radius Front** - 6" to 10" Rise* 88 - Up to 102"
			Diagonal Front** - 6" to 10" Rise* ** - Up to 102"
	12		Universal Front** - 6" to 10" Rise* ** - Up to 102"
	13	1107422	Square Front - Flat x 10" Deep x 96"***
		1107510	Square Front - Flat x 10" Deep x 101-1/2"***
		<b>ALUMINUM BACK CAPS</b>	
	14	1107417	Square Back - 6" Rise* x 11-1/4" Deep x 94" ***
		1107420	Square Back - 6" Rise* x 11-1/4" Deep x 95" ***
		1107426	Square Back - 6" Rise* x 11-1/4" Deep x 96" ***
		1107483	Square Back - 6" Rise* x 11-1/4" Deep x 102" ***
		1107501	Square Back - 10" Rise* x 11-1/4" Deep x 96" ***
		1107517	Square Back - 10" Rise* x 11-1/4" Deep x 102" ***
	15	1107421	Square Back - Flat x 10" Deep x 96" **
		1107512	Square Back - Flat x 10" Deep x 102" **

\*Cap rise is typically 2" less than rise of bow. Other rises available.

\*\*Mounting hardware NOT included.

\*\*\*Not shown in diagram.

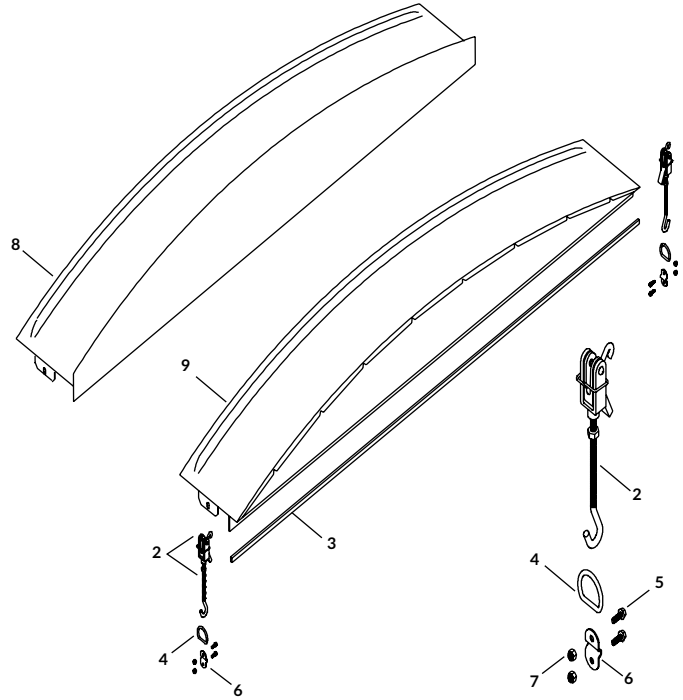
NOTE: All components other than standard may require a non-refundable \$100 special processing fee. Call for details.



# GENUINE SHUR-LOK® AND PBR REPLACEMENT PARTS

## END CAPS – ALUMINUM EASY-OFF

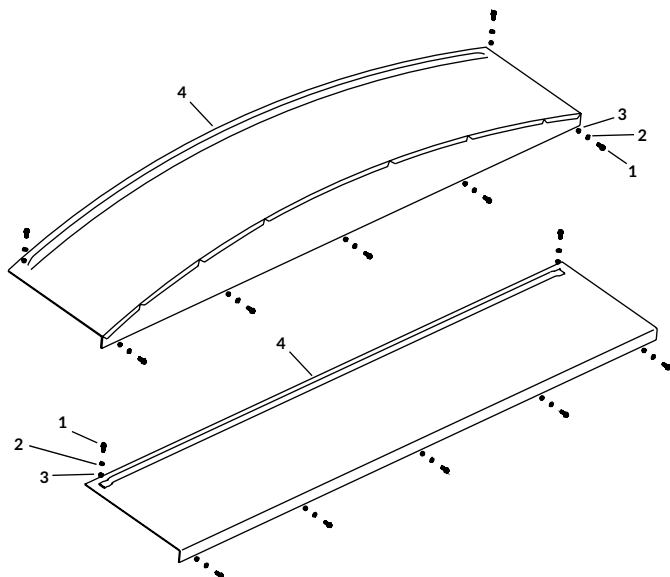
PRICE	ITEM	PART #	DESCRIPTION
		1101934	Easy-Off Cap Mounting Hardware w/Rubber Seal [Includes: 1; 2; 2 of 3]
	1	1105304	Easy-Off Cap Hardware** [Includes: 2 of 4; 6; 4 of 5 & 7]
	2	1701113	Over-Center Clamp/Safety Clip
	3	1101865	Rubber Seal - 100"
		1701115	Rubber Seal (per foot)
	4	1701218	D-Ring - 1-1/2"
	5	1701059	Self-Tapping Screw - 5/16" x 1"
	6	1701114	D-Ring Plate
	7	1700419	Nylon Lock Hex Nut - 5/16"
<b>ALUMINUM EASY-OFF FRONT CAPS</b>			
	8	1111556	Easy-Off Front - 6" Rise* x 11-1/4" Deep x 91"
		1107534	Easy-Off Front - 6" Rise* x 11-1/4" Deep x 93-1/2"
		1121915	Easy-Off Front - 6" Rise* x 11-1/4" Deep x 95"
		1107537	Easy-Off Front - 6" Rise* x 11-1/4" Deep x 99-1/2"
		1107540	Easy-Off Front - 10" Rise* x 11-1/4" Deep x 93-1/2"
		1107543	Easy-Off Front - 10" Rise* x 11-1/4" Deep x 99-1/2"
<b>ALUMINUM EASY-OFF BACK CAPS</b>			
	9	1111555	Easy-Off Back - 6" Rise* x 11-1/4" Deep x 91"
		1107554	Easy-Off Back - 6" Rise* x 11-1/4" Deep x 93-1/2"
		1110331	Easy-Off Back - 6" Rise* x 11-1/4" Deep x 95"
		1107557	Easy-Off Back - 6" Rise* x 11-1/4" Deep x 99-1/2"
		1110334	Easy-Off Back - 6" Rise* x 11-1/4" Deep x 101"
		1107560	Easy-Off Back - 10" Rise* x 11-1/4" Deep x 93-1/2"
		1107563	Easy-Off Back - 10" Rise* x 11-1/4" Deep x 99-1/2"



\*Cap rise is typically 2" less than rise of bow. Other rises available.

\*\*Not shown in diagram.

NOTE: All components other than standard may require a non-refundable \$100 special processing fee. Call for details.

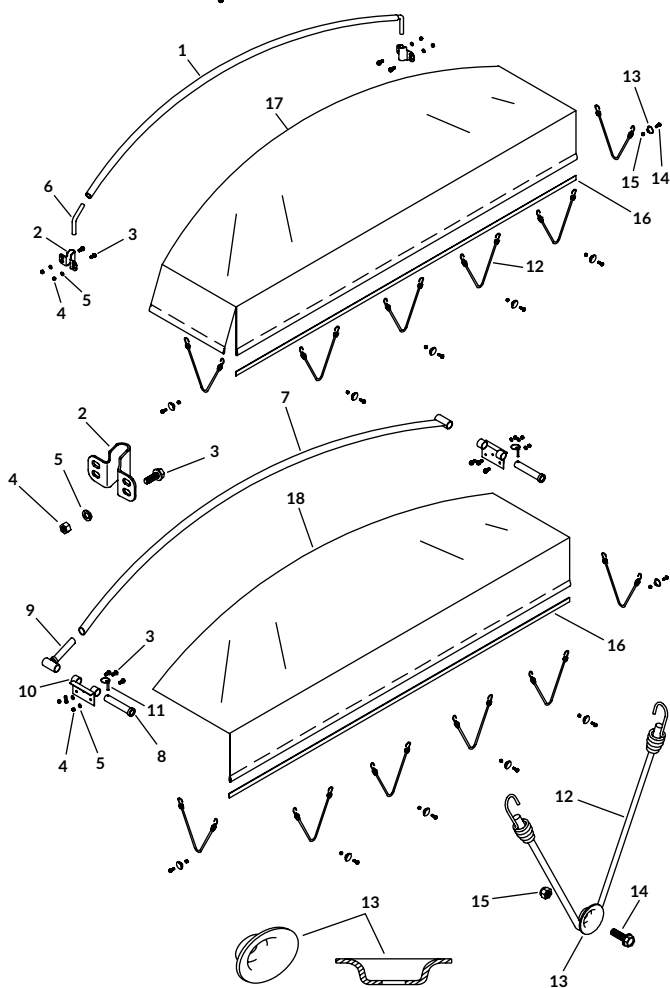


## END CAPS – ALUMINUM EXTENDABLE SPLINE

PRICE	ITEM	PART #	DESCRIPTION
			<b>MOUNTING HARDWARE</b>
		1107787	Mounting Fasteners (7) [Includes 7 of 1, 2 & 3]
	1	1700400	Self-Tapping Screw - Non Corrosive Coating - 3/8" x 1"
	2	1700434	Lock Washer - 3/8"
	3	1700407	Hex Nut - 3/8"
			<b>ALUMINUM EXTENDABLE SPLINE CAPS</b>
	4	1116177	Square Back Cap** - 6" Rise** x 26" Deep x 96"
		1116181	Square Back Cap** - 6" Rise** x 26" Deep x 102"
		1116179	Square Back Cap* - Flat x 26" Deep x 95-3/4"
		1116183	Square Back Cap* - Flat x 26" Deep x 101-3/4"

\*For use with extendable spline assembly (P/N 1126182); see page 68.

\*\*Cap rise is typically 2" less than rise of bow. Other rises available.



## END CAPS – FABRIC BACK

PRICE	ITEM	PART #	DESCRIPTION
			<b>HARDWARE for STANDARD / FLEX / TP™ BOWS</b> (Does NOT Include Fabric Insert)
		1100640	Single Back Standard Fabric Cap - 8" Rise - Bow Kit Hardware [Includes 1; 6; 2 of 2; 4 of 3, 4 & 5; 6 of 12, 13, 14 & 15]
		1100639	Single Back Standard Fabric Cap Bow Kit - 12" Rise - Bow Kit Hardware [Includes 1; 6; 2 of 2; 4 of 3, 4 & 5; 6 of 12, 13, 14 & 15]
			<b>HARDWARE for HEAVY-DUTY BOWS</b>
		1102903	Single Back Heavy-Duty Fabric Cap/Flap - 8" Rise - Bow Kit Hardware [Includes 7; 9; 2 of 8, 10, 11 & 16; 6 of 3, 4, 5, 12, 13, 14 & 15]
		1102829	Single Back Heavy-Duty Fabric Cap/Flap - 12" Rise - Bow Kit Hardware [Includes 7; 9; 2 of 8, 10, 11 & 16; 6 of 3, 4, 5, 12, 13, 14 & 15]
		1105303	Fabric Cap Hardware [Includes 4 of 3, 4 & 5; 6 of 13, 14 & 15]
	1	1100760	Galvanized Bow - 8" Rise* - 93" to 102"
		1100762	Galvanized Bow - 12" Rise* - 96" to 102"
	2	1120836	Single Bow Bracket
	3	1700400	Self-Tapping Screw - Non Corrosive Coating - 3/8" x 1"
	4	1700407	Hex Nut - 3/8"
	5	1700434	Lock Washer - 3/8"
	6	1100695	Galvanized Bow Shank - 8" Rise*
		1106925	Galvanized Bow Shank - 12" Rise*
	7	1106612	Heavy-Duty Bow - 8" Rise*
		1101927	Heavy-Duty Bow - 12" Rise*
	8	1104123	Heavy-Duty Bow Pin
	9	1104706	Heavy-Duty Bow Shank
	10	1106614	Heavy-Duty Bow Bracket
	11	1701098	Lynch Pin - 5/16" x 1-3/4"
	12	1700990	Bungee Cord - 18"
	13	1701355	Rope Anchor
	14	1701059	Self-Tapping Screw - 5/16" x 1"
	15	1700419	Nylon Lock Hex Nut - 5/16"
	16	1700581	Aluminum Flat Bar - 103"
			<b>FABRIC INSERT ONLY</b>
	17		Square Back - 96"
			Square Back - 102"
			<b>FABRIC FLAP INSERT ONLY</b>
	18		Dump Flap - 96"
			Dump Flap - 102"

\*Cap rise is typically 2" less than rise of bow. Other rises available.

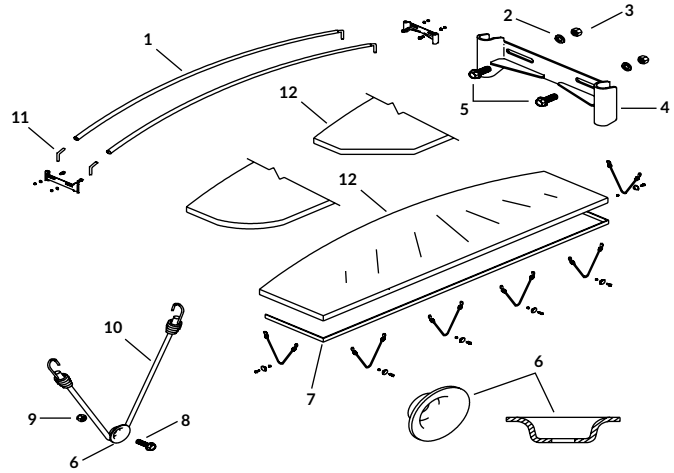
NOTE: Grain carts use a single back fabric cap on front and back.

NOTE: All components other than standard may require a non-refundable \$100 special processing fee. Call for details.

# GENUINE SHUR-LOK® AND PBR REPLACEMENT PARTS

## END CAPS – FABRIC FRONT

PRICE	ITEM	PART #	DESCRIPTION
			<b>FABRIC FRONT HARDWARE</b> (Does NOT Include Fabric Insert)
	1100642		Double Front Fabric Cap - 8" Rise - Bow Kit Hardware [Includes 2 of 1, 4, 7 & 11; 4 of 2, 3 & 5; 6 of 6, 8, 9 & 10]
	1100641		Double Front Fabric Cap - 12" Rise - Bow Kit Hardware [Includes 2 of 1, 4, 7 & 11; 4 of 2, 3 & 5; 6 of 6, 8, 9 & 10]
	1105303		Fabric Cap Hardware [Includes 4 of 2, 3 & 5; 6 of 13, 14 & 15]
	1	1100760	Galvanized Bow - 8" Rise* - 93" to 102"
		1100762	Galvanized Bow - 12" Rise* - 96" to 102"
	2	1700434	Lock Washer - 3/8"
	3	1700407	Hex Nut - 3/8"
	4	1108211	Double Bow Bracket
	5	1700400	Self-Tapping Screw - Non Corrosive Coating - 3/8" x 1"
	6	1701355	Rope Anchor
	7	1700581	Aluminum Flat Bar - 103"
	8	1701059	Self-Tapping Screw - 5/16" x 1"
	9	1700419	Nylon Lock Hex Nut - 5/16"
	10	1700990	Bungee Cord - 18"
	11	1100695	Galvanized Bow Shank - 8" Rise*
		1106925	Galvanized Bow Shank - 12" Rise*
			<b>FABRIC INSERT ONLY</b>
	12		Square Front - 96"
			Square Front - 102"
			Radius/Diagonal Front - 96"
			Radius/Diagonal Front - 102"

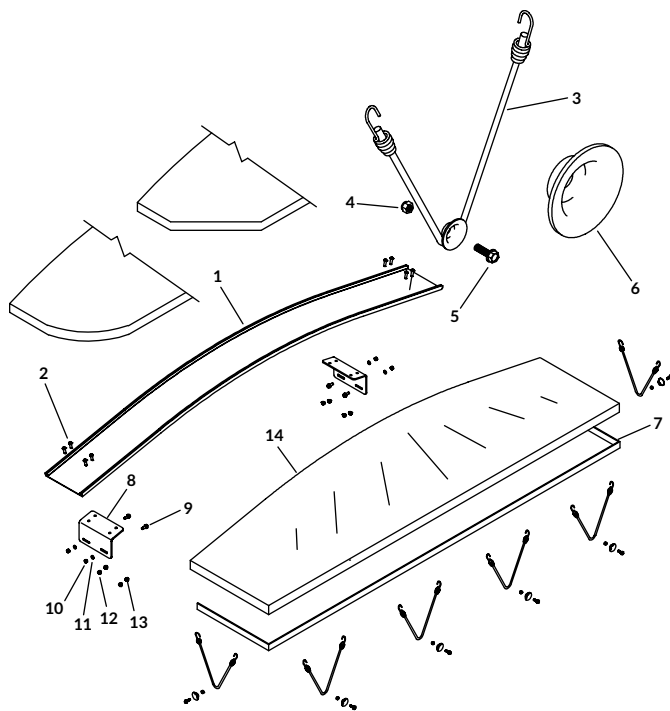


\*Cap rise is typically 2" less than rise of bow. Other rises available.

NOTE: Grain carts use single back standard fabric cap on front and back (see pg. 53).

NOTE: All components other than standard may require a non-refundable \$100 special processing fee. Call for details.

## END CAPS – FABRIC FRONT/BACK COMBO



PRICE	ITEM	PART #	DESCRIPTION
			<b>HARDWARE for FRONT/BACK COMBO BOWS</b> (Does NOT Include Fabric Insert)
		1122902	Combo Bow w/Mounting Brackets - 8" Rise* - 96" [Includes 1; 2 of 8]
		1122905	Combo Bow w/Mounting Brackets - 8" Rise* - 102" [Includes 1; 2 of 8]
		1122904	Combo Bow w/Mounting Brackets - 10" Rise* - 96" [Includes 1; 2 of 8]
		1122907	Combo Bow w/Mounting Brackets - 10" Rise* - 102" [Includes 1; 2 of 8]
		1122903	Combo Bow w/Mounting Brackets - 12" Rise* - 96" [Includes 1; 2 of 8]
		1122906	Combo Bow w/Mounting Brackets - 12" Rise* - 102" [Includes 1; 2 of 8]
		1122908	Combo Bow Kit w/Flatbar - 8" Rise - 96" [Includes 1; 2 of 7 & 8; 4 of 9, 10 & 11; 6 of 3, 4, 5 & 6; 8 of 2 & 12]
		1122911	Combo Bow Kit w/Flatbar - 8" Rise - 102" [Includes 1; 2 of 7 & 8; 4 of 9, 10 & 11; 6 of 3, 4, 5 & 6; 8 of 2 & 12]
		1122910	Combo Bow Kit w/Flatbar - 10" Rise - 96" [Includes 1; 2 of 7 & 8; 4 of 9, 10 & 11; 6 of 3, 4, 5 & 6; 8 of 2 & 12]
		1122913	Combo Bow Kit w/Flatbar - 10" Rise - 102" [Includes 1; 2 of 7 & 8; 4 of 9, 10 & 11; 6 of 3, 4, 5 & 6; 8 of 2 & 12]
		1122909	Combo Bow Kit w/Flatbar - 12" Rise - 96" [Includes 1; 2 of 7 & 8; 4 of 9, 10 & 11; 6 of 3, 4, 5 & 6; 8 of 2 & 12]
		1122912	Combo Bow Kit w/Flatbar - 12" Rise - 102" [Includes 1; 2 of 7 & 8; 4 of 9, 10 & 11; 6 of 3, 4, 5 & 6; 8 of 2 & 12]
		1122914	Combo Bow Kit w/Tarp Straps - 8" Rise* - 96" [Includes 1; 2 of 8; 4 of 9, 10 & 11; 8 of 2, 3 & 12]
		1122917	Combo Bow Kit w/Tarp Straps - 8" Rise* - 102" [Includes 1; 2 of 8; 4 of 9, 10 & 11; 8 of 2, 3 & 12]
		1122916	Combo Bow Kit w/Tarp Straps - 10" Rise* - 96" [Includes 1; 2 of 8; 4 of 9, 10 & 11; 8 of 2, 3 & 12]
		1122919	Combo Bow Kit w/Tarp Straps - 10" Rise* - 102" [Includes 1; 2 of 8; 4 of 9, 10 & 11; 8 of 2, 3 & 12]
		1122915	Combo Bow Kit w/Tarp Straps - 12" Rise* - 96" [Includes 1; 2 of 8; 4 of 9, 10 & 11; 8 of 2, 3 & 12]
		1122918	Combo Bow Kit w/Tarp Straps - 12" Rise* - 102" [Includes 1; 2 of 8; 4 of 9, 10 & 11; 8 of 2, 3 & 12]
		1105303	Fabric Cap Hardware [Includes 4 of 9, 10 & 11; 6 of 4, 5 & 6]
		1122936	Combo Cap Hardware [Includes 8 of 2 & 12]
	1	1122863	Combo Bow - 8" Rise* - 96"
		1122860	Combo Bow - 8" Rise* - 102"
		1122864	Combo Bow - 10" Rise* - 96"
		1122861	Combo Bow - 10" Rise* - 102"
		1122865	Combo Bow - 12" Rise* - 96"
		1122862	Combo Bow - 12" Rise* - 102"
	2	1704706	Button Head Cap Screw - 3/8" x 1-1/4"
	3	1700990	Bungee Cord - 18"
		1700650	Rubber Strap w/Hooks - 21"
	4	1700419	Nylon Lock Hex Nut - 5/16"
	5	1701059	Self-Tapping Screw - 5/16" x 1"
	6	1701355	Rope Anchor
	7	1700581	Aluminum Flat Bar - 103"
	8	1122897	Combo Bow Bracket - 8" Rise*
		1122898	Combo Bow Bracket - 10" Rise*
		1122899	Combo Bow Bracket - 12" Rise*
	9	1700400	Self-Tapping Screw - Non Corrosive Coating - 3/8" x 1"
	10	1700407	Hex Nut - 3/8"
	11	1700434	Lock Washer - 3/8"
	12	1704371	Serrated Hex Flange Nut - 3/8"
	13	1701283	Top Lock Flange Nut - 3/8"
			<b>FABRIC INSERT ONLY</b>
	14		Combo Fabric Cap - 96"
			Combo Fabric Cap - 102"

\*Cap rise is typically 2" less than rise of bow. Other rises available.

NOTE: All components other than standard may require a non-refundable \$100 special processing fee. Call for details.

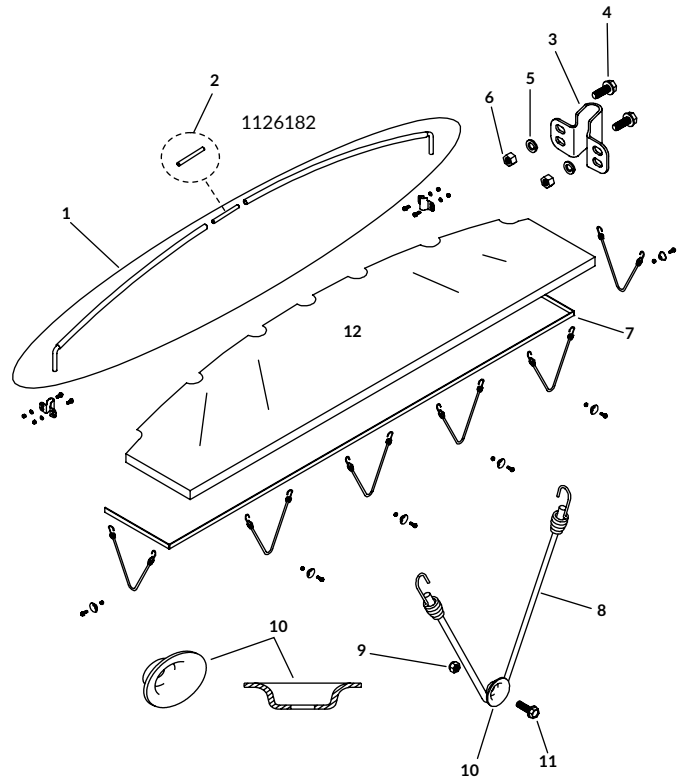
# GENUINE SHUR-LOK® AND PBR REPLACEMENT PARTS

## END CAPS – FABRIC X-WIDE

PRICE	ITEM	PART #	DESCRIPTION
			<b>X-WIDE FABRIC CAP HARDWARE</b> (Does NOT Include Fabric Insert)
	1106947		X-Wide Fabric Cap - 8" Rise* - Bow Kit Hardware [Includes 1; 2 of 3 & 8; 4 of 5, 6 & 7; 7 of 9, 10 & 11]
	1106946		X-Wide Fabric Cap - 12" Rise* - Bow Kit Hardware [Includes 1; 2 of 3 & 8; 4 of 5, 6 & 7; 7 of 9, 10 & 11]
	1	1116118	Galvanized X-Wide Bow** - 8" Rise* - 103" to 168"
		1116119	Galvanized X-Wide Bow** - 12" Rise* - 103" to 168"
	2	1100685	X-Wide Bow Connector Tube
	3	1120836	Single Bow Bracket
	4	1700400	Self-Tapping Screw - Non Corrosive Coating - 3/8" x 1"
	5	1700434	Lock Washer - 3/8"
	6	1700407	Hex Nut - 3/8"
	7	1700581	Aluminum Flat Bar - 103"
	8	1700990	Bungee Cord - 18"
	9	1700419	Nylon Lock Hex Nut - 5/16"
	10	1701355	Rope Anchor
	11	1701059	Self-Tapping Screw - 5/16" x 1"
			<b>X-WIDE FABRIC INSERT ONLY</b>
	12		Square Fabric Cap Insert - 103" to 108"
			Square Fabric Cap Insert - 109" to 120"
			Square Fabric Cap Insert - 121" to 132"
			Square Fabric Cap Insert - 133" to 144"
			Square Fabric Cap Insert - 145" to 156"
			Square Fabric Cap Insert - 157" to 168"

\*Cap rise is typically 2" less than rise of bow. Other rises available.

\*\*Includes bow halves and connector tube.

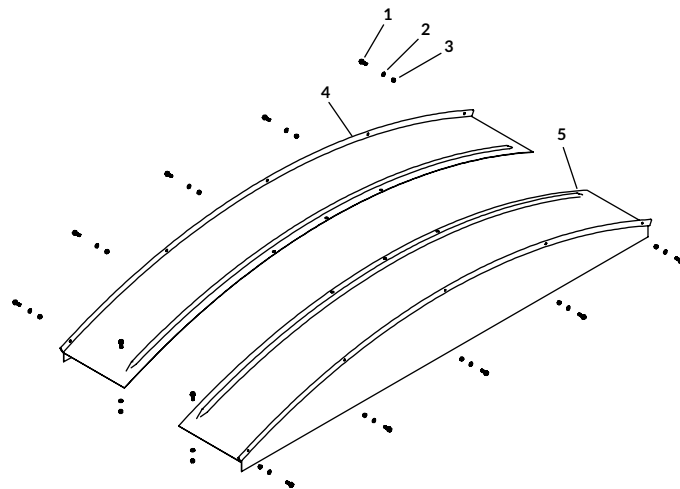


## END CAPS – GALVANIZED STEEL FACE MOUNT

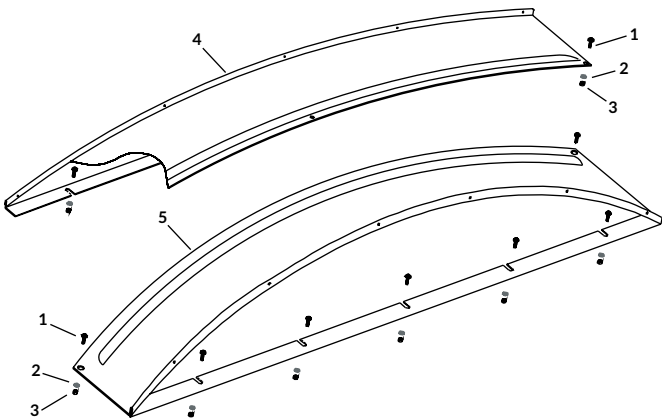
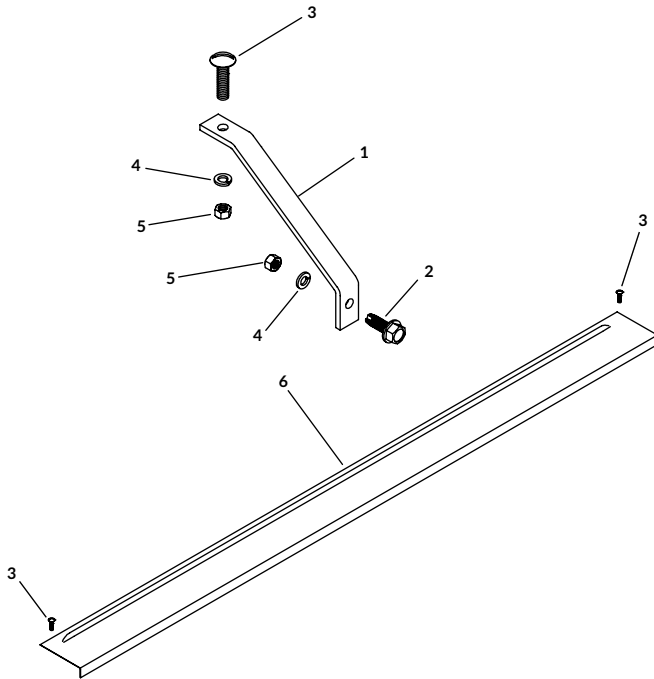
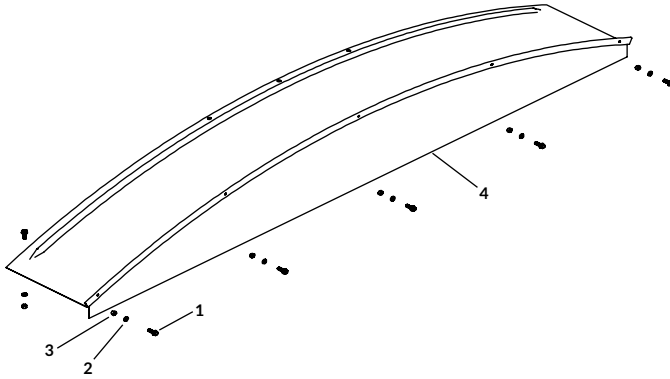
PRICE	ITEM	PART #	DESCRIPTION
			<b>MOUNTING HARDWARE</b>
	1107787		Mounting Fasteners (7) [Includes 7 of 1, 2 & 3]
	1	1700400	Self-Tapping Screw - Non Corrosive Coating - 3/8" x 1"
	2	1700434	Lock Washer - 3/8"
	3	1700407	Hex Nut - 3/8"
			<b>GALVANIZED CAPS - FACE MOUNT</b>
	4	1122295	Face Mount Cap - 6" Rise* x 10" Deep x 89"
		1122283	Face Mount Cap - 6" Rise* x 10" Deep x 93"
		1122281	Face Mount Cap - 6" Rise* x 10" Deep x 95"
		1122289	Face Mount Cap - 6" Rise* x 10" Deep x 100"
	5	1122297	Face Mount Cap - 10" Rise* x 10" Deep x 89"
		1122293	Face Mount Cap - 10" Rise* x 10" Deep x 93"
		1122285	Face Mount Cap - 10" Rise* x 10" Deep x 95"

\*Cap rise is typically 2" less than rise of bow. Other rises available.

NOTE: All components other than standard may require a non-refundable \$100 special processing fee. Call for details.







## END CAPS – GALVANIZED STEEL FACE MOUNT X-WIDE

PRICE	ITEM	PART #	DESCRIPTION
<b>MOUNTING HARDWARE</b>			
		1107787	Mounting Fasteners (7) [Includes 7 of 1, 2 & 3]
	1	1700400	Self-Tapping Screw - Non Corrosive Coating - 3/8" x 1"
	2	1700434	Lock Washer - 3/8"
	3	1700407	Hex Nut - 3/8"
<b>X-WIDE GALVANIZED CAPS - FACE MOUNT</b>			
	4	1122287	Face Mount Cap - 10" Rise* x 10" Deep x 107"
		1120686	Face Mount Cap - 10" Rise* x 10" Deep x 114"
		1122299	Face Mount Cap - 10" Rise* x 10" Deep x 119"
		1122301	Face Mount Cap - 10" Rise* x 10" Deep x 137"
		1116602	Face Mount Cap - 10" Rise* x 10" Deep x 142"
		1122291	Face Mount Cap - 10" Rise* x 10" Deep x 143"
		1117698	Galvanized Face Mount Cap* - 10" Deep x 145"

\*Cap rise is typically 2" less than rise of bow. Other rises available.

## END CAPS – GALVANIZED STEEL FLAT | For Grain Carts

PRICE	ITEM	PART #	DESCRIPTION
<b>MOUNTING HARDWARE</b>			
		1107787	Mounting Fasteners (7) [Includes 7 of 1, 2 & 3]
		1116525	Cap Support Hardware [Includes 4 of 2 & 3; 8 of 4 & 5]
	1	1122773	Cap Support Brace*
	2	1700400	Self-Tapping Screw - Non Corrosive Coating - 3/8" x 1"
	3	1703964	Truss Head Machine Screw - 3/8" x 1-1/4"
	4	1700434	Lock Washer - 3/8"
	5	1700407	Hex Nut - 3/8"
<b>GALVANIZED FLAT CAPS</b>			
	6	1120621	Square Cap - Flat x 10" Deep x 119"
		1120620	Square Cap - Flat x 10" Deep x 125"
		1120619	Square Cap - Flat x 10" Deep x 131"
		1120618	Square Cap - Flat x 10" Deep x 137"
		1120574	Square Cap - Flat x 10" Deep x 142-1/2"
		1120575	Square Cap - Flat x 10" Deep x 157-1/2"

\*Cart MUST have vertical sides walls for cap brace to work correctly.

## END CAPS – GALVANIZED STEEL TOP MOUNT

PRICE	ITEM	PART #	DESCRIPTION
<b>MOUNTING HARDWARE</b>			
		1107787	Mounting Fasteners (7)
	1	1700400	Self-Tapping Screw - Non Corrosive Coating - 3/8" x 1"
	2	1700434	Lock Washer - 3/8"
	3	1700407	Hex Nut - 3/8"
<b>GALVANIZED CAPS - TOP MOUNT</b>			
	4	1113034	Top Mount Cap - 6" Rise* x 10" Deep x 89"
		1108977	Top Mount Cap - 6" Rise* x 10" Deep x 93"
		1108980	Top Mount Cap - 6" Rise* x 10" Deep x 95"
		1108983	Top Mount Cap - 6" Rise* x 10" Deep x 100"
	5	1108986	Top Mount Cap - 10" Rise* x 10" Deep x 93"
		1108989	Top Mount Cap - 10" Rise* x 10" Deep x 95"
		1108992	Top Mount Cap - 10" Rise* x 10" Deep x 100"

\*Cap rise is typically 2" less than rise of bow. Other rises available.

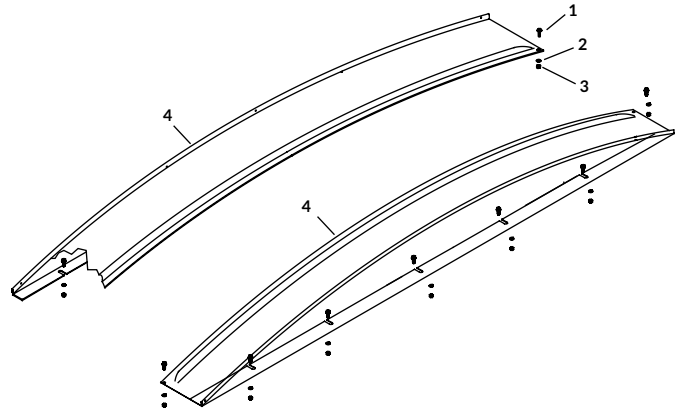
NOTE: All components other than standard may require a non-refundable \$100 special processing fee. Call for details.

# GENUINE SHUR-LOK® AND PBR REPLACEMENT PARTS

## END CAPS – GALVANIZED STEEL TOP MOUNT X-WIDE

PRICE	ITEM	PART #	DESCRIPTION
<b>MOUNTING HARDWARE</b>			
		1107787	Mounting Fasteners (7) [Includes 7 of 1, 2 & 3]
	1	1700400	Self-Tapping Screw - Non Corrosive Coating - 3/8" x 1"
	2	1700434	Lock Washer - 3/8"
	3	1700407	Hex Nut - 3/8"
<b>X-WIDE GALVANIZED CAPS - TOP MOUNT</b>			
	4	1110066	Top Mount Cap - 10" Rise* x 10" Deep x 107"
		1115936	Top Mount Cap - 10" Rise* x 10" Deep x 113"
		1110067	Top Mount Cap - 10" Rise* x 10" Deep x 119"
		1112042	Top Mount Cap - 10" Rise* x 10" Deep x 125"
		1110068	Top Mount Cap - 10" Rise* x 10" Deep x 131"
		1112045	Top Mount Cap - 10" Rise* x 10" Deep x 137"
		1112048	Top Mount Cap - 10" Rise* x 10" Deep x 142"
		1110069	Top Mount Cap - 10" Rise* x 10" Deep x 143"

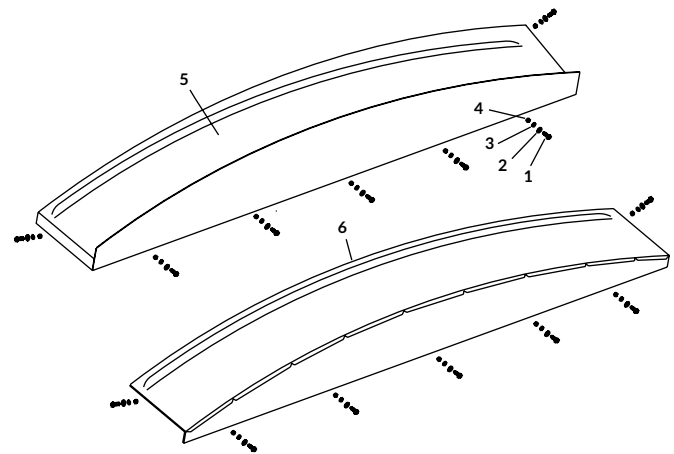
\*Cap rise is typically 2" less than rise of bow. Other rises available.



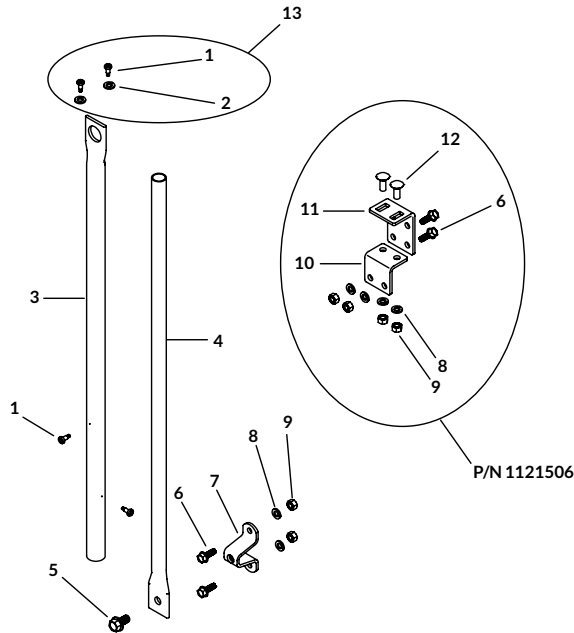
## END CAPS – STAINLESS STEEL

PRICE	ITEM	PART #	DESCRIPTION
<b>MOUNTING HARDWARE</b>			
		1116274	Stainless Cap Mounting Fasteners [Includes 7 of 1, 2, 3 & 4]
	1	1703579	Stainless Steel Cap Screw - 3/8" x 1"
	2	1703577	Stainless Steel Flat Washer - 3/8"
	3	1703576	Stainless Steel Lock Washer - 3/8"
	4	1200999	Stainless Steel Nut - 3/8"
<b>STAINLESS STEEL FRONT CAPS</b>			
	5	1116402	Square Front - 6" Rise* x 11-1/4" Deep x 90"
		1116403	Square Front - 6" Rise* x 11-1/4" Deep x 92"
		1116404	Square Front - 6" Rise* x 11-1/4" Deep x 94"
		1114897	Square Front - 6" Rise* x 11-1/4" Deep x 96"
		1116307	Square Front - 6" Rise* x 11-1/4" Deep x 102"
		1116398	Square Front - 10" Rise* x 11-1/4" Deep x 90"
		1116399	Square Front - 10" Rise* x 11-1/4" Deep x 92"
		1116400	Square Front - 10" Rise* x 11-1/4" Deep x 94"
		1116330	Square Front - 10" Rise* x 11-1/4" Deep x 96"
		1116401	Square Front - 10" Rise* x 11-1/4" Deep x 102"
<b>STAINLESS STEEL BACK CAPS</b>			
	6	1116395	Square Back - 6" Rise* x 11-1/4" Deep x 90"
		1116396	Square Back - 6" Rise* x 11-1/4" Deep x 92"
		1116397	Square Back - 6" Rise* x 11-1/4" Deep x 94"
		1114900	Square Back - 6" Rise* x 11-1/4" Deep x 96"
		1116306	Square Back - 6" Rise* x 11-1/4" Deep x 102"
		1116384	Square Back - 10" Rise* x 11-1/4" Deep x 90"
		1116385	Square Back - 10" Rise* x 11-1/4" Deep x 92"
		1116386	Square Back - 10" Rise* x 11-1/4" Deep x 94"
		1116329	Square Back - 10" Rise* x 11-1/4" Deep x 96"
		1116394	Square Back - 10" Rise* x 11-1/4" Deep x 102"

\*Cap rise is typically 2" less than rise of bow. Other rises available.



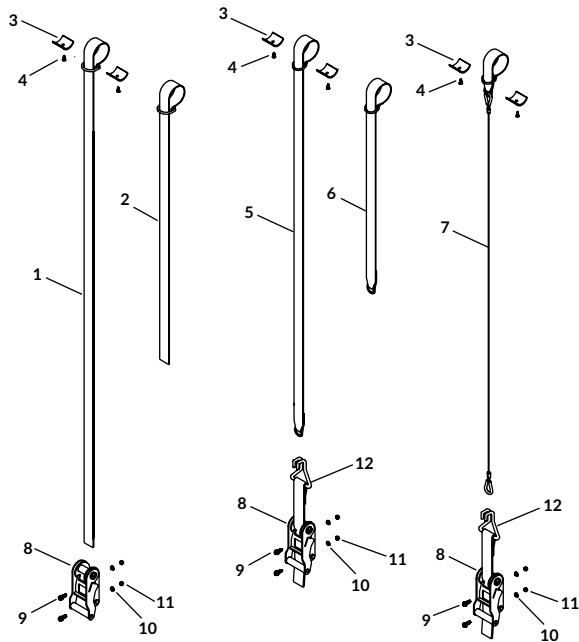
## HIGH-LIFT END GATES



PRICE	ITEM	PART #	DESCRIPTION
		1121904	Stabilizer Arm Kit* [Includes 1; 2; 3; 6; 2 of 4, 7, 8 & 9; 4 of 5]
		1121506	Adjustable Offset Bracket Kit** [Includes 10; 11; 2 of 6 & 12; 4 of 8 & 9]
	1	1700398	Self-Drilling Screw - 1/4" x 3/4"
	2	1118037	Plastic Washer - Black
	3	1121901	Upper Stabilizer Arm
	4	1121902	Lower Stabilizer Arm
	5	1702996	Flanged Cap Screw - 1/2" x 1-1/4"
	6	1700400	Self-Tapping Screw - Non Corrosive Coating - 3/8" x 1"
	7	1107080	Crank Retainer Standoff - 3"
	8	1700434	Lock Washer - 3/8"
	9	1700407	Hex Nut - 3/8"
	10	1121508	Adjustable Offset Bracket - Fixed
	11	1121507	Adjustable Offset Bracket - Slider
	12	1702522	Carriage Bolt - 3/8" x 1" - GR2
	13	1118536	Fixed Tube Stop Hardware [Includes 2 of 1 & 2]

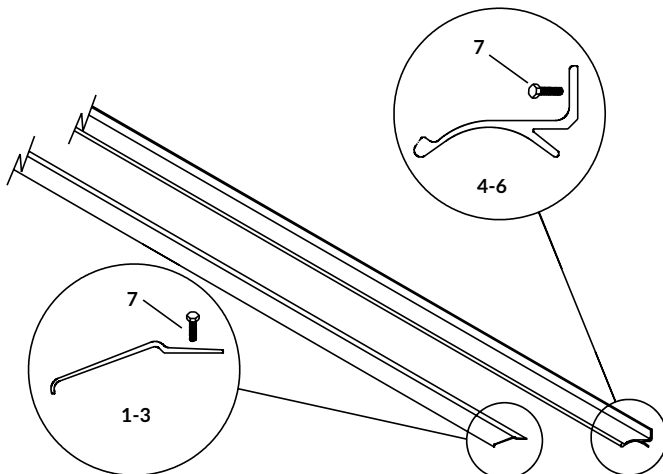
\*For use with high-lift end gates.

\*\*For use with latchplate and easy-off tarp stops. Bracket adjusts from 2" to 3" wide.



## HOLD-DOWNS

PRICE	ITEM	PART #	DESCRIPTION
		1106770	Cable Hold-Down Kit - 7' [Includes 7; 8; 12; 2 of 9, 10 & 11]
		1106771	Strap Hold-Down Kit - 5' [Includes 2; 8; 2 of 9, 10 & 11]
		1106772	Strap Hold-Down Kit - 9' [Includes 1; 8; 2 of 9, 10 & 11]
		1107224	Strap Hold-Down Kit w/Hook - 5' [Includes 6; 8; 12; 2 of 9, 10 & 11]
		1107225	Strap Hold-Down Kit w/Hook - 7' [Includes 5; 8; 12; 2 of 9, 10 & 11]
	1	1106774	Strap Assembly - 9'
		1110337	Strap Assembly - 10'
	2	1100470	Strap Assembly - 5'
	3	1701354	Plastic U-Clamp
	4	1700398	Self-Drilling Screw - 1/4" x 3/4"
	5	1107223	Wire Hook Strap Assembly - 7'
	6	1107222	Wire Hook Strap Assembly - 5'
	7	1106763	Cable Assembly - 7'
	8	1100457	Ratchet - 2"
	9	1700400	Self-Tapping Screw - Non Corrosive Coating - 3/8" x 1"
	10	1700434	Lock Washer - 3/8"
	11	1700407	Hex Nut - 3/8"
	12	1106754	Web Assembly w/Hook



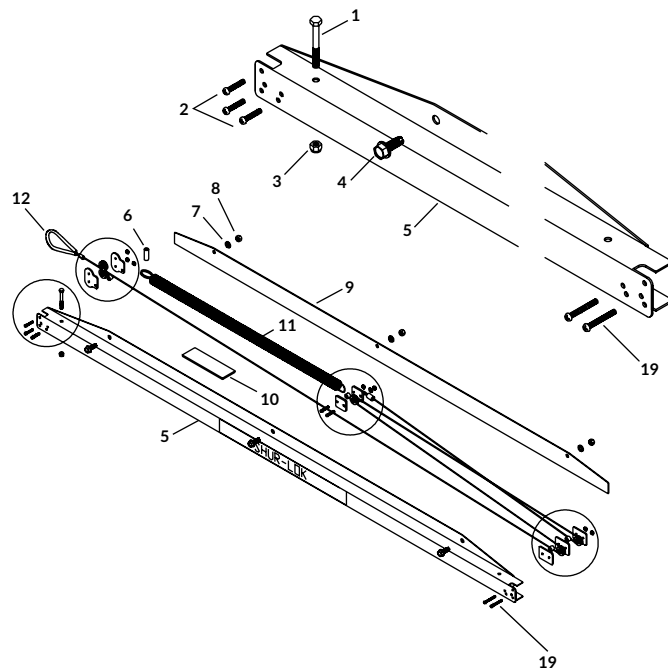
## LATCHPLATES

PRICE	ITEM	PART #	DESCRIPTION
	1	1100370	Aluminum Top Mount Latchplate - 4'
	2	1100369	Aluminum Top Mount Latchplate - 6'
	3	1100368	Aluminum Top Mount Latchplate - 8'
	4	1100749	Aluminum Side Mount Latchplate - 4'
	5	1700802	Aluminum Side Mount Latchplate - 6'
	6	1700522	Aluminum Side Mount Latchplate - 8'
	7	1700400	Self-Tapping Screw - Non Corrosive Coating - 3/8" x 1"

# GENUINE SHUR-LOK® AND PBR REPLACEMENT PARTS

## RETURNS – FRONT/REAR CABLE

PRICE	ITEM	PART #	DESCRIPTION
<b>FOR 2" ROLL TUBES</b>			
	1111121		Rear Cable Return Kit* [Includes 1; 3; 5; 6; 10; 11; 12; 18; 20; 2 of 13, 17 & 19; 3 of 4, 7, 8 & 23; 4 of 2 & 15; 5 of 14; 7 of 16]
	1111122		Front Cable Return Kit* [Includes 1; 3; 5; 6; 10; 11; 12; 18; 20; 2 of 13, 17 & 19; 3 of 4, 7, 8 & 23; 4 of 2 & 15; 5 of 14; 7 of 16]
	1112064		Rear Cable Return Kit w/Roll Tube Extension* [Includes 1; 3; 5; 6; 10; 12; 18; 20; 21; 22; 2 of 13, 17, 18 & 19; 3 of 4, 7, 8 & 23; 4 of 2 & 15; 5 of 14; 7 of 16]
	1112065		Front Cable Return Kit w/Roll Tube Extension* [Includes 1; 3; 5; 6; 10; 12; 18; 20; 21; 22; 2 of 13, 17, 18 & 19; 3 of 4, 7, 8 & 23; 4 of 2 & 15; 5 of 14; 7 of 16]
	1114913		X-Wide Rear Cable Return Kit* [Includes 1; 3; 5; 6; 9; 10; 11; 12; 18; 20; 2 of 13, 17 & 19; 3 of 4, 7, 8 & 23; 4 of 2 & 15; 5 of 14; 7 of 16]
	1114914		X-Wide Front Cable Return Kit* [Includes 1; 3; 5; 6; 9; 10; 11; 12; 18; 20; 2 of 13, 17 & 19; 3 of 4, 7, 8 & 23; 4 of 2 & 15; 5 of 14; 7 of 16]
	1114915		X-Wide Front Cable Return Kit w/Roll Tube Ext.* [Includes 1; 3; 5; 6; 9; 10; 11; 12; 18; 20; 21; 22; 2 of 13, 17, 18 & 19; 3 of 4, 7, 8 & 23; 4 of 2 & 15; 5 of 14; 7 of 16]
<b>FOR 3" ROLL TUBES</b>			
	1124868		Rear Cable Return Kit* [Includes 1; 3; 5; 6; 9; 10; 11; 12; 18; 20; 2 of 13, 17 & 19; 3 of 4, 7, 8 & 23; 4 of 2 & 15; 5 of 14; 7 of 16]
	1124869		Front Cable Return Kit* [Includes 1; 3; 5; 6; 9; 10; 11; 12; 18; 20; 2 of 13, 17 & 19; 3 of 4, 7, 8 & 23; 4 of 2 & 15; 5 of 14; 7 of 16]
	1124905		Rear Cable Return Kit w/Roll Tube Extension* [Includes 1; 3; 5; 6; 10; 12; 18; 20; 21; 22; 2 of 13, 17, 18 & 19; 3 of 4, 7, 8 & 23; 4 of 2 & 15; 5 of 14; 7 of 16]
	1124906		Front Cable Return Kit w/Roll Tube Extension* [Includes 1; 3; 5; 6; 10; 12; 18; 20; 21; 22; 2 of 13, 17, 18 & 19; 3 of 4, 7, 8 & 23; 4 of 2 & 15; 5 of 14; 7 of 16]
	1132317		Cable Spool Kit* [Includes 24; 26; 27; 28; 4 of 25]
	1132318		Heavy Duty X-Wide Front Cable Return Kit - 3" " [Includes 1; 3; 5; 6; 10; 11; 12; 18; 20; 2 of 13, 17 & 19; 3 of 4, 7, 8 & 23; 4 of 2 & 15; 5 of 14; 7 of 16]"
	1111469		Cable Return Mounting Hardware Kit [Includes 3 of 4, 7 & 8]
	1	1702672	Hex Head Cap Screw - 1/4" x 2-1/4"
	2	1702654	Machine Screw - 1"
	3	1701543	Nylon Lock Hex Nut - 1/4"
	4	1700400	Self-Tapping Screw - Non Corrosive Coating - 3/8" x 1"
	5	1114728	Universal Cable Return Housing
		1112902	Universal X-Wide Cable Return Housing
	6	1131010	Spacer Washer - 1-5/8"
	7	1700434	Lock Washer - 3/8"
	8	1700407	Hex Nut - 3/8"
	9	1112904	Cable Return Back Plate - X-Wide
	10	1115206	Velcro® Hook - 1" x 4"



\*For reverse-roll systems, use rear return on front of trailer, front return on rear.

\*\*Used to route cable from return over obstructions or sharp edges.

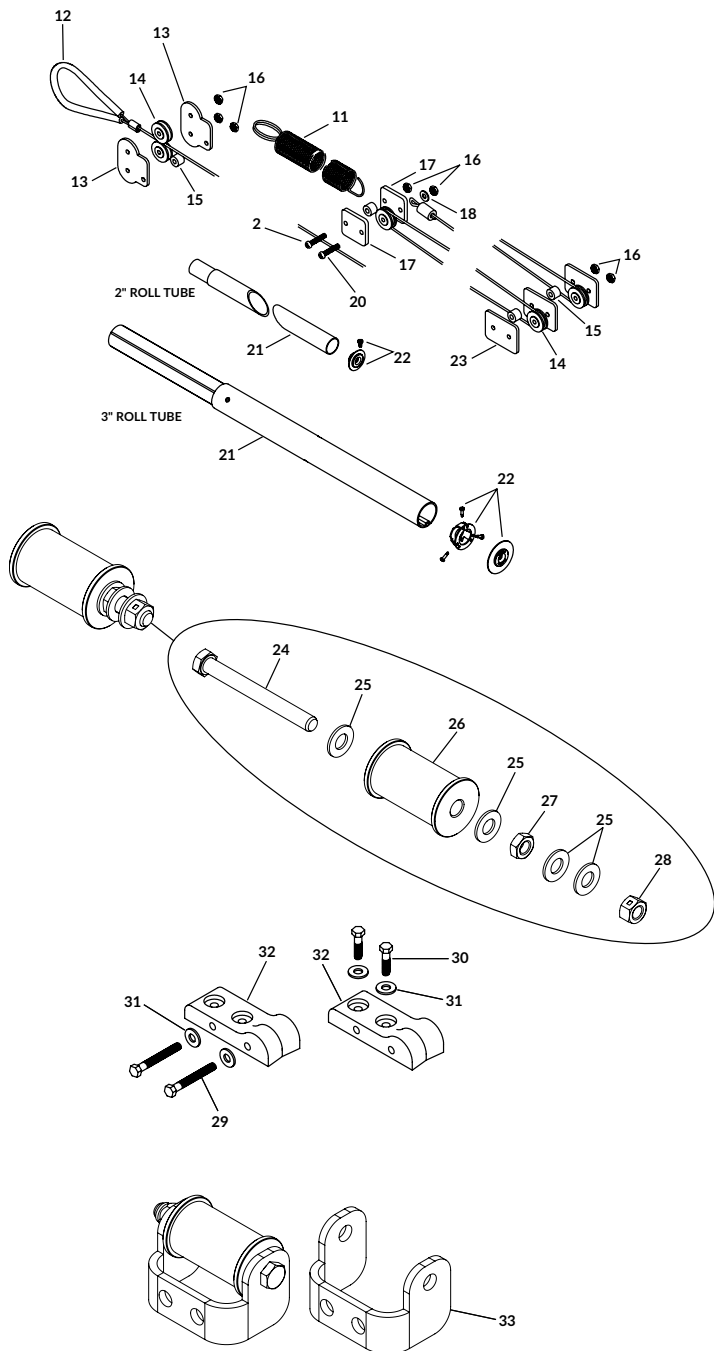
Continued on next page

## RETURNS – FRONT/REAR CABLE Continued

PRICE	ITEM	PART #	DESCRIPTION
		1116117	Cable Spool Kit** [Includes 24; 26; 27; 28; 4 of 25]
		1126414	Cable Spool Kit w/Mounting Bracket** [Includes 24; 25; 26; 27; 33]
		1111437	Universal Cable Guide Kit** [Includes 32; 2 of 29, 30 & 31]
	11	1702657	Extension Spring
	12	1114582	Cable w/Return Strap
		1114932	X-Wide Cable w/Return Strap
		1124870	Cable w/Return Strap*** - 3"
	13	1114691	Front Retainer Plate
	14	1703006	Pulley - 1/16" Cable Groove
	15	1111056	Plastic Spacer - 3/8" Thick
	16	1702653	Machine Screw Nut
	17	1112997	Rope Block Retainer Plate
	18	1111054	Flat Washer
	19	1702656	Machine Screw - 1-1/2"
	20	1702655	Machine Screw - 1-1/4"
	21	1117496	Swaged Roll Tube Extension - 2" x 32"
		1124901	Roll Tube Extension*** - 3" x 45"
	22	1111808	End Plug/Cable Retainer w/Screw
		1124904	End Plug/Cable Retainer w/Screws*** - 3"
	23	1110913	Rear Retainer Plate
	24	1703048	Hex Head Cap Screw - 3/8" x 3-1/2"
	25	1701176	Flat Washer - 3/8" SAE
	26	1703605	Cable Spool
	27	1701062	Hex Jam Nut - 3/8"
	28	1700418	Centerlock Hex Nut - 3/8"
	29	1700371	Hex Head Cap Screw - 3/8" x 3"
	30	1701434	Hex Head Cap Screw - 3/8" x 1-1/2"
	31	1700429	Flat Washer - 3/8"
	32	1110410	Universal Cable Guide
	33	1126413	Cable Spool Mounting Bracket

\*\*Used to route cable from return over obstructions or sharp edges.

\*\*\*Used with 3" roll tubes.



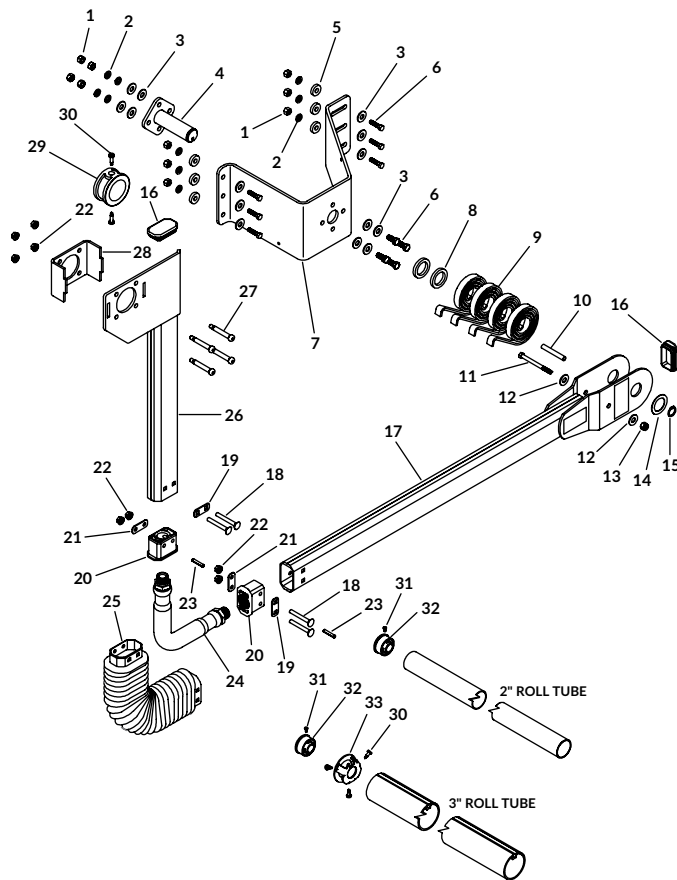


# GENUINE SHUR-LOK® AND PBR REPLACEMENT PARTS

## RETURNS – HEAVY-DUTY FRONT ARM

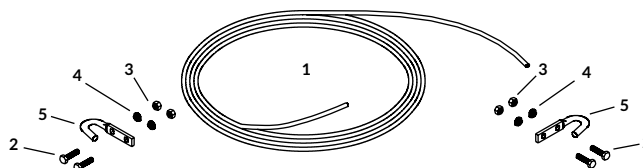
PRICE	ITEM	PART #	DESCRIPTION
		1124119	Heavy-Duty Front Arm Return [Includes 4; 7; 10; 11; 13; 14; 15; 17; 24; 25; 26; 28; 29; 31; 32; 2 of 8, 12, 16, 19, 20, 21, 23 & 30; 4 of 9 & 27; 6 of 18; 8 of 5; 10 of 1, 2 & 22; 14 of 3]
		1124794	HD Front Arm Return - 3" [Includes 4; 7; 10; 11; 13; 14; 15; 17; 24; 25; 26; 28; 29; 31; 32; 33; 2 of 8, 12, 16, 19, 20, 21, 23 & 30; 4 of 9 & 27; 6 of 18; 8 of 5; 10 of 1, 2 & 22; 14 of 3]
		1121702	Flex Arm Joint Hardware Kit [Includes 19; 21; 2 of 18, 22 & 23]
		1116926	Spring Support Hardware Kit [Includes 10; 11; 13; 14; 15; 2 of 8 & 12]
		1121579	Pivot Bracket Hardware Kit [Includes 10 of 1, 2 & 6; 6 of 5; 14 of 3]
		1121723	Exposed Spline/Bearing Hardware Kit [Includes 28; 29; 2 of 16, 19, 20, 21, 23 & 30; 4 of 18 & 27; 8 of 22]
		1124795	Exposed Spline/Bearing Hardware Kit - 3" [Includes 28; 29; 33; 2 of 16, 19, 20, 21, 23 & 30; 4 of 18 & 27; 8 of 22]
		1121647	Flex Joint Hardware [Includes 2 of 19 & 21; 4 of 18 & 22]
	1	1700407	Hex Nut - 3/8"
	2	1700434	Lock Washer - 3/8"
	3	1700429	Flat Washer - 3/8"
	4	1116920	Pivot Pin - 4 Spring
	5	1120291	Spacer Washer - 1/4" x 1" OD x .406"
	6	1702891	Hex Head Cap Screw - 3/8" x 1-1/4"
	7	1121578	Pivot Mount Bracket - 6" x 9-1/4" Standoff
	8	1118318	Spacer Washer - 1/4" x 1.81" OD x 1.28"
	9	1111027	Spiral Torsion Spring
	10	1117033	Spacer Tube - .35" x 2-5/8"
	11	1201022	Hex Head Cap Screw - 5/16" x 3-1/2"
	12	1700428	Flat Washer - 5/16"
	13	1700419	Nylon Lock Hex Nut - 5/16"
	14	1702890	Flat Washer - 1-1/4"
	15	1702888	Retaining Ring - 1-1/4"
	16	1704892	Cap Plug
	17	1121617	Lower Flex Arm w/Warning Decals - Front
	18	1701455	Carriage Bolt - 5/16" x 2-1/2" - GR5
	19	1121414	Bellow Plate - Square Holes
	20	1704891	End Fitting
	21	1121413	Bellow Plate - Round Holes
	22	1704931	Flanged Nylon Lock Nut - 5/16"
	23	1704966	Spring Pin - 1/4" x 1-3/8"
	24	1125154	Replacement Flex Arm Joint - 4500 HD [Includes Flex Hose; 25; 2 of 19, 20, 21 & 23; 4 of 18 & 22]
	25	1704775	Arm Bellow
	26	1121281	Upper Flex Arm - Bearing
		1124958	Upper Flex Arm - Bearing - 3"
	27	1704943	Shoulder Bolt - 3/8" x 2" Thread x 5/16" x 1/2"
	28	1121430	Bearing Mount Box
		1123248	Bearing Mount Box - 3"
	29	1704942	Rear Arm Bearing Ring
		1705160	Rear Arm Bearing Ring - 3"
	30	1706103	Blind Rivet - 3/16"
	31	1704743	Self-Drilling Screw - #10 x 1/2"
	32	1100138	Nylon End Plug
	33	1121041	Roll Tube End Cap - Front*

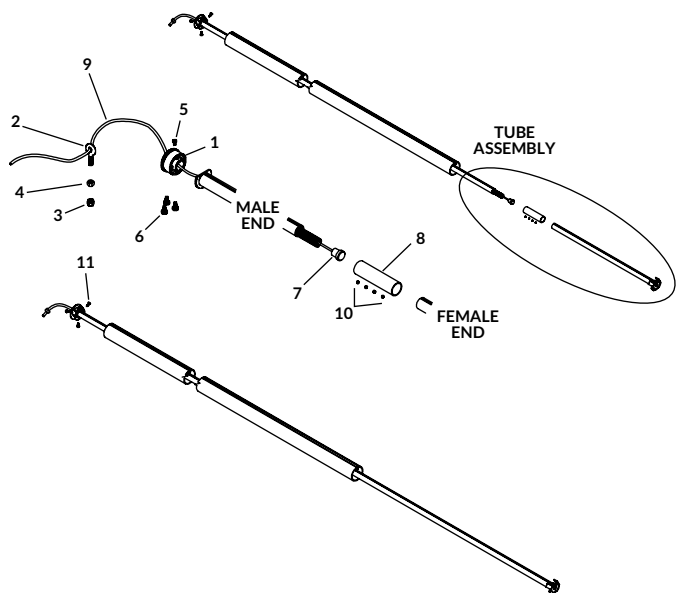
\*Used with 3" roll tubes.



## RETURNS – ROPE

PRICE	ITEM	PART #	DESCRIPTION
		1100064	Rope Return Kit [Includes 1; 2 of 5; 4 of 2, 3 & 4]
	1	1100469	Rope - 32'
	2	1700381	Hex Head Cap Screw - 1/4" x 1"
	3	1700408	Hex Nut - 1/4"
	4	1700436	Lock Washer - 1/4"
	5	1700682	Box Hook - 5/16" Holes





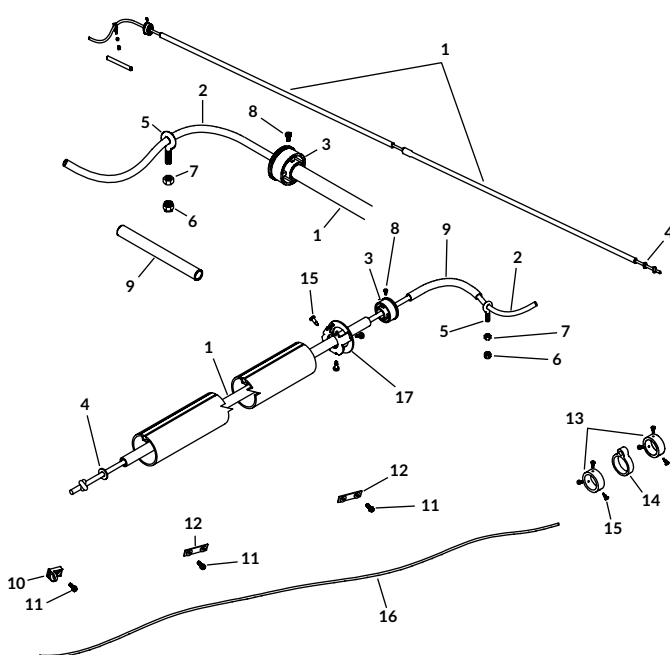
## RETURNS - SHUR-RETURN™

PRICE	ITEM	PART #	DESCRIPTION
		1100824	Shur-Return™ Kit [Includes Tube Assembly; 1; 2; 3; 4; 5; 9; 5 of 6]
		1107881	2-Piece Shur-Return™ Kit* [Includes Tube Assembly; 1; 2; 3; 4; 5; 7; 8; 9; 4 of 10; 5 of 6]
		1124875	Shur-Return™ Kit - 3"*** [Includes Tube Assembly; 1; 2; 3; 4; 5; 9; 3 of 11; 5 of 6]
		1124876	2-Piece Shur-Return™ Kit - 3"*** [Includes Tube Assembly; 1; 2; 3; 4; 5; 7; 8; 9; 3 of 11; 4 of 10; 5 of 6]
		1107128	Shur-Return™ Hardware Kit [Includes 1; 2; 3; 4; 5; 5 of 6]
		1124881	Shur-Return™ Hardware Kit - 3"*** [Includes 1; 2; 3; 4; 5; 3 of 10; 5 of 6]
	1	1100138	Nylon End Plug
	2	1700717	Eyebolt Anchor - 5/16"
	3	1700419	Nylon Lock Hex Nut - 5/16"
	4	1700411	Hex Nut - 5/16"
	5	1704743	Self-Drilling Screw - #10 x 1/2"
	6	1700736	Self-Tapping Screw - 1/4" x 1/2"
	7	1100827	Spring Retainer Plug
	8	1107879	Connector Sleeve
	9	1100826	Shur-Return™ Rope***
	10	1701423	Hex Socket Set Screw - #10 x 3/16"
	11	1705198	Self-Drilling Screw - 1/4" x 1"

\*Additional overlength shipping charges apply.

\*\*Used with 3" roll tubes.

\*\*\*Shur-Return™ rope does NOT stretch, see stretch cord, below.



## RETURNS - STRETCH CORD

PRICE	ITEM	PART #	DESCRIPTION
		1114359	Front Stretch Cord Roll Return Kit* [Includes 1; 2; 3; 4; 5; 6; 7; 8; 9]
		1124882	Front Stretch Cord Roll Return Kit* - 3"*** [Includes 1; 2; 3; 4; 5; 6; 7; 8; 9; 17; 3 of 15]
		1114361	X-Wide Front Stretch Cord Roll Return Kit* [Includes 1; 2; 3; 4; 5; 6; 7; 8; 9]
		1114951	Shock Cord Roll Return Kit [Includes 10; 12; 14; 16; 2 of 11 & 13; 6 of 15]
		1119034	Replacement End Plug Kit [Includes 3; 8]
		1107127	Roll Return Hardware Kit* [Includes 3; 4; 5; 6; 7; 8; 9]
		1124883	Roll Return Hardware Kit* - 3"*** [Includes 3; 4; 5; 6; 7; 8; 9; 17; 3 of 15]
	1	1111067	Roll Return Tube Set - 2 Pc.
		1115041	X-Wide Roll Return Tube Set - 3 Pc.
	2	1114360	Roll Return Stretch Cord*** - 11-1/2'
		1114362	Roll Return Stretch Cord*** - 16-1/2'
		1703335	Bulk Roll Return Stretch Cord (Sold only in 300' rolls)
	3	1100138	Nylon End Plug
	4	1703373	Flat Washer - 1/2"
	5	1700717	Eyebolt Anchor - 5/16"
	6	1700419	Nylon Lock Hex Nut - 5/16"
	7	1700411	Hex Nut - 5/16"
	8	1704743	Self-Drilling Screw - #10 x 1/2"
	9	1107680	Protective Stretch Cord Cover
	10	1703445	Shock Cord Eye Bracket
	11	1700400	Self-Tapping Screw - Non Corrosive Coating - 3/8" x 1"
	12	1114948	Shock Cord Tie-Down Strap
	13	1704352	Rear Arm Retaining Collar
	14	1114947	Roll Tube Eye
	15	1705198	Self-Drilling Screw - 1/4" x 1"***
	16	1122332	Shock Cord - 11-1/2"
	17	1121041	Roll Tube End Cap - Front**

\*Includes instructions.

\*\*Used on 3" roll tubes.

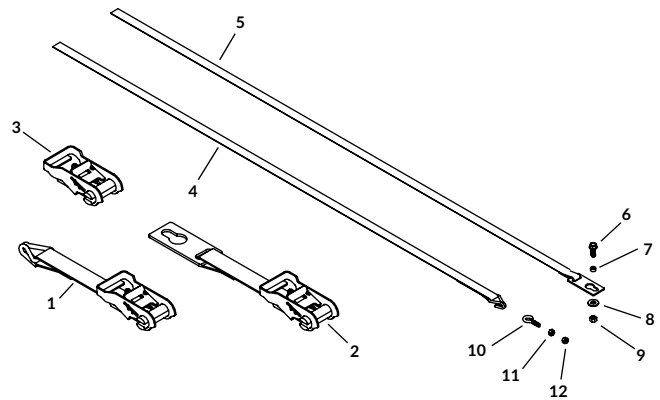
\*\*\*Comes with protective stretch cord cover (P/N 1107680).

# GENUINE SHUR-LOK® AND PBR REPLACEMENT PARTS

## RIDGE STRAPS – 1" GALVANIZED STEEL

PRICE	ITEM	PART #	DESCRIPTION
		1101685	Ridge Strap Kit w/Anchor - 1" x 25' [Includes 2; 5; 2 of 6, 7, 8 & 9]
		1101686	Ridge Strap Kit w/Anchor - 1" x 39' [Includes 2; 5; 2 of 6, 7, 8 & 9]
		1101687	Ridge Strap Kit w/Anchor - 1" x 46' [Includes 2; 5; 2 of 6, 7, 8 & 9]
		1107068	Ridge Strap Kit w/Anchor - 1" x 56' [Includes 2; 5; 2 of 6, 7, 8 & 9]
		1101833	Ridge Strap Kit w/Hook* - 1" x 46' [Includes 1; 4]
		1120454	Ridge Strap Kit w/Hook* - 1" x 56' [Includes 1; 4]
		1105244	Ridge Strap Hardware Kit - 1" [Includes 2 of 6, 7, 8 & 9]
		1101689	Eyebolt Hardware Kit [Includes 2 of 10, 11 & 12]
	1	1106153	Ratchet w/1" Ridge Strap/Hook
	2	1101678	Ratchet w/1" Ridge Strap/Anchor
	3	1700836	Ratchet - 1" Web
	4	1118520	Ridge Strap w/Hook - 1" x 10' - Light Duty
		1118522	Ridge Strap w/Hook - 1" x 14' - Light Duty
		1121406	Ridge Strap w/Hook - 1" x 18' - Light Duty
		1118524	Ridge Strap w/Hook - 1" x 24' - Light Duty
		1101835	Ridge Strap w/Hook - 1" x 46' - Heavy Duty
		1116163	Ridge Strap w/Hook - 1" x 56' - Heavy Duty
	5	1101680	Ridge Strap w/Anchor - 1" x 25'
		1101681	Ridge Strap w/Anchor - 1" x 39'
		1101682	Ridge Strap w/Anchor - 1" x 46'
		1107066	Ridge Strap w/Anchor - 1" x 56'
	6	1700400	Self-Tapping Screw - Non Corrosive Coating - 3/8" x 1"
	7	1101683	Anchor Bushing
	8	1701176	Flat Washer - 3/8"
	9	1700418	Centerlock Hex Nut - 3/8"
	10	1700717	Eyebolt Anchor - 5/16"
	11	1700411	Hex Nut - 5/16"
	12	1700419	Nylon Hex Nut - 5/16"

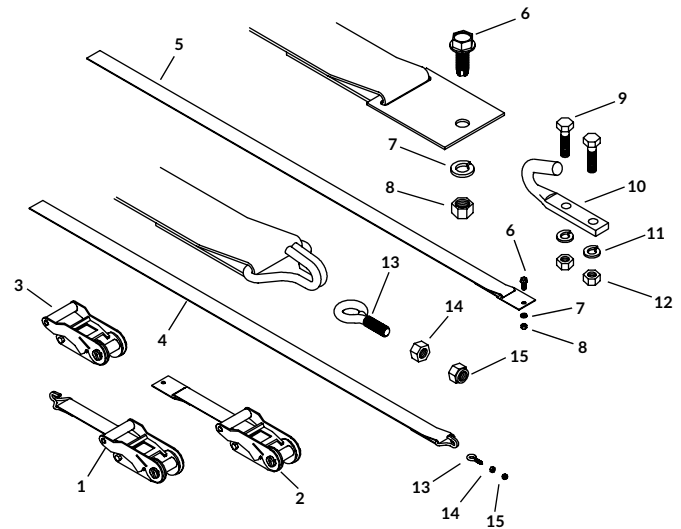
\*Eyebolt NOT included.

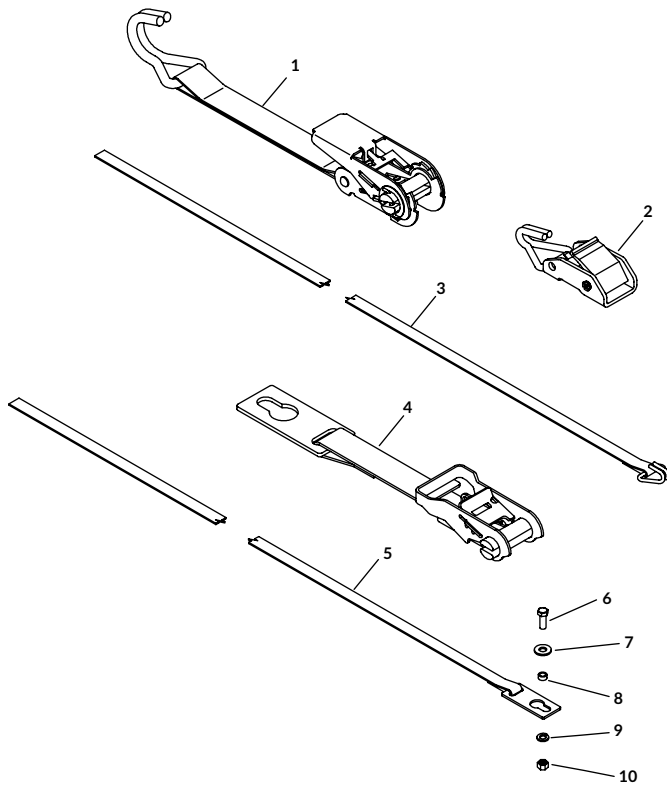


## RIDGE STRAPS – 2" GALVANIZED STEEL

PRICE	ITEM	PART #	DESCRIPTION
		1100783	Ridge Strap Kit w/Anchor - 2" x 25' [Includes 2; 5; 2 of 6, 7, 8 & 10; 4 of 9, 11 & 12]
		1100784	Ridge Strap Kit w/Anchor - 2" x 39' [Includes 2; 5; 2 of 6, 7, 8 & 10; 4 of 9, 11 & 12]
		1100774	Ridge Strap Kit w/Anchor - 2" x 46' [Includes 2; 5; 2 of 6, 7, 8 & 10; 4 of 9, 11 & 12]
		1107069	Ridge Strap Kit w/Anchor - 2" x 56' [Includes 2; 5; 2 of 6, 7, 8 & 10; 4 of 9, 11 & 12]
		1111823	Ridge Strap Kit w/Hook* - 2" x 46' [Includes 1; 4]
		1105242	Ridge Strap Hardware Kit - 2" [Includes 2 of 6, 7, 8 & 10; 4 of 9, 11 & 12]
	1	1111818	Ratchet w/2" Ridge Strap/Hook
	2	1100594	Ratchet w/2" Ridge Strap/Anchor
	3	1700519	Ratchet - 2" Web
	4	1111817	Ridge Strap w/Hook - 2" x 48'
	5	1100571	Ridge Strap w/Anchor - 2" x 25'
		1100579	Ridge Strap w/Anchor - 2" x 39'
		1100580	Ridge Strap w/Anchor - 2" x 48'
		1107067	Ridge Strap w/Anchor - 2" x 56'
	6	1700400	Self-Tapping Screw - Non Corrosive Coating - 3/8" x 1"
	7	1700434	Lock Washer - 3/8"
	8	1700407	Hex Nut - 3/8"
	9	1700381	Hex Head Cap Screw - 1/4" x 1"
	10	1700682	Box Hook - 5/16" Holes
	11	1700436	Lock Washer - 1/4"
	12	1700408	Hex Nut - 1/4"
	13	1700717	Eyebolt Anchor - 5/16"
	14	1700411	Hex Nut - 5/16"
	15	1700419	Nylon Hex Nut - 5/16"

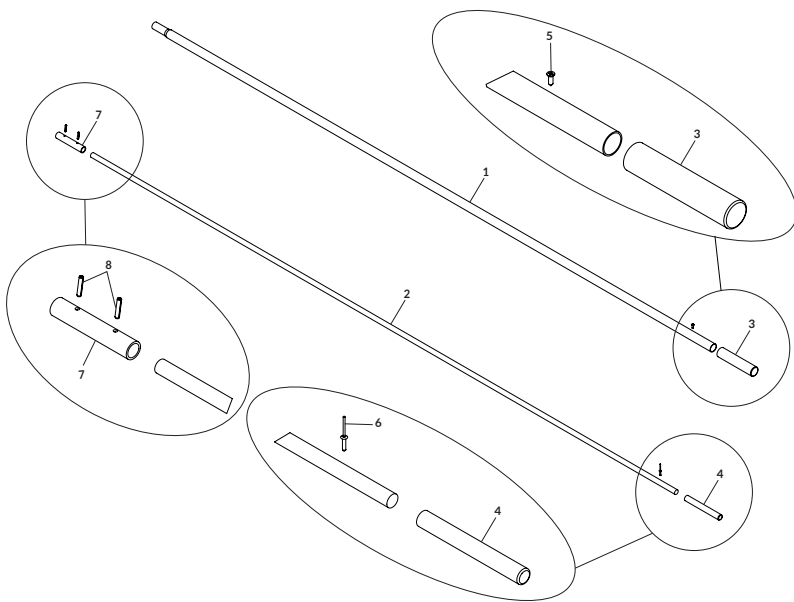
\*Eyebolt NOT included.





RIDGE STRAPS – 1" POWDER-COATED/STAINLESS

PRICE	ITEM	PART #	DESCRIPTION
		1123803	Stainless Ridge Strap Kit w/Anchor - 1" x 41" [Includes 4; 5; 2 of 6, 8, 9 & 10; 4 of 7]
		1123804	Stainless Ridge Strap Kit w/Anchor - 1" x 48" [Includes 4; 5; 2 of 6, 8, 9 & 10; 4 of 7]
		1128794	Stainless Ridge Strap Kit w/Anchor - 1" x 53" [Includes 4; 5; 2 of 6, 8, 9 & 10; 4 of 7]
		1120301	Stainless Ridge Strap Kit w/Hook - 1" x 10' [Includes 1; 3]
		1120302	Stainless Ridge Strap Kit w/Hook - 1" x 14' [Includes 1; 3]
		1121407	Stainless Ridge Strap Kit w/Hook - 1" x 18' [Includes 1; 3]
		1121409	Stainless Ridge Strap Kit w/Hook - 1" x 24' [Includes 1; 3]
		1118513	Powder-Coated Ridge Strap Kit w/Hook - 1" x 10" [Includes 2; 3]
		1118515	Powder-Coated Ridge Strap Kit w/Hook - 1" x 14" [Includes 2; 3]
		1118517	Powder-Coated Ridge Strap Kit w/Hook - 1" x 18" [Includes 2; 3]
		1118519	Powder-Coated Ridge Strap Kit w/Hook - 1" x 24" [Includes 2; 3]
		1123806	Stainless Ridge Strap Hardware Kit - 1" [Includes 2 of 6, 8, 9 & 10; 4 of 7]
	1	1120300	Stainless Ratchet w/1" Ridge Strap
	2	1118509	Buckle Weldment
	3	1118512	Powder-Coated Ridge Strap w/Hook - 1" x 10'
		1120298	Stainless Ridge Strap w/Hook - 1" x 10'
		1118514	Powder-Coated Ridge Strap w/Hook - 1" x 14'
		1120299	Stainless Ridge Strap w/Hook - 1" x 14'
		1118516	Powder-Coated Ridge Strap w/Hook - 1" x 18'
		1121408	Stainless Ridge Strap w/Hook - 1" x 18'
		1118518	Powder-Coated Ridge Strap w/Hook - 1" x 24'
		1121410	Stainless Ridge Strap w/Hook - 1" x 24'
	4	1117585	Stainless Ratchet w/1" Ridge Strap/Anchor
	5	1117493	Stainless Ridge Strap w/Anchor - 1" x 41'
		1117494	Stainless Ridge Strap w/Anchor - 1" x 48'
		1117495	Stainless Ridge Strap w/Anchor - 1" x 53'
	6	1703579	Stainless Hex Head Cap Screw - 3/8" x 1"
	7	1703577	Stainless Flat Washer - 3/8"
	8	1101683	Anchor Bushing - 3/8"
	9	1703576	Stainless Lock Washer - 3/8"
	10	1200999	Stainless Hex Nut - 3/8"



RIDGEPOLES

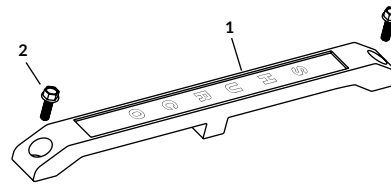
PRICE	ITEM	PART #	DESCRIPTION
		1105310	Rollaway Ridgepole Hardware [Includes 2 of 3; 3 of 5]
		1122333	Fiberglass Rollaway Ridgepole Hardware* [Includes 2 of 4 & 6]
		1117999	Fiberglass Ridge Pole Connector Kit [Includes 7; 2 of 8]
	1	1706159	Ridgepole Tube - 8'
		1706158	Ridgepole Tube - 11'
		1706157	Ridgepole Tube - 15'
		1701204	Ridgepole Tube - 16'
		1701205	Ridgepole Tube - 20'
		1701206	Ridgepole Tube - 24'
	2	1704677	Fiberglass Ridgepole - 7/8" x 11'-6"
		1704674	Fiberglass Ridgepole - 7/8" x 16'
		1703594	Fiberglass Ridgepole - 7/8" x 20'
		1704675	Fiberglass Ridgepole - 7/8" x 24'
	3	1700212	Protective Cap - 1-1/2" ID x 7-7/8"
	4	1706497	Protective Cap - 7/8" ID x 8"
	5	1704768	Flat-Headed Self-Drilling Screw - 1/4" x 3/4"
	6	1705224	Blind Rivet - 3/16" x 5/8" x 5/8" Head*
	7	1117972	Aluminum Ridge Pole Connector
	8	1704098	Spring Pin - 1/4" x 1-1/4"

\*Used with Fiberglass Ridge Pole.

# GENUINE SHUR-LOK® AND PBR REPLACEMENT PARTS

## ROLL TUBE DEFLECTORS

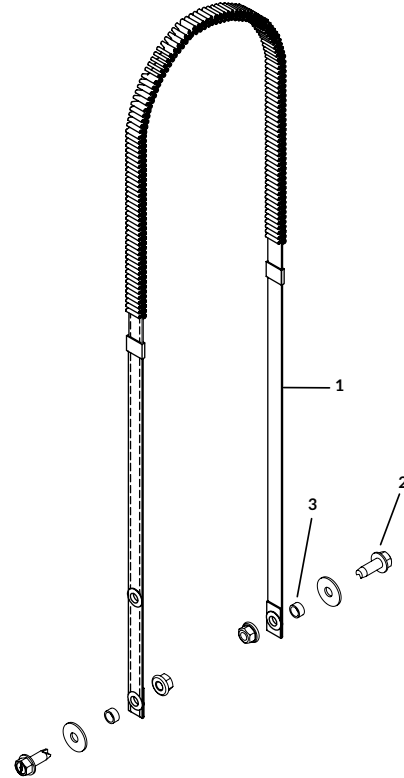
PRICE	ITEM	PART #	DESCRIPTION
		1117513	Single Molded Roll Tube Deflector Kit - Gray [Includes 1; 2 of 2]
		1114579	Double Molded Roll Tube Deflector Kit - Gray [Includes 2 of 1; 4 of 2]
		1117514	Single Molded Roll Tube Deflector Kit - Black [Includes 1; 2 of 2]
		1114659	Double Molded Roll Tube Deflector Kit - Black [Includes 2 of 1; 4 of 2]
1		1112029	Molded Roll Tube Deflector - Gray - 17-1/4"
		1114658	Molded Roll Tube Deflector - Black - 17-1/4"
2		1701059	Self-Tapping Screw - 5/16" x 1"



## TARP CORDS – GUSTBUSTER™

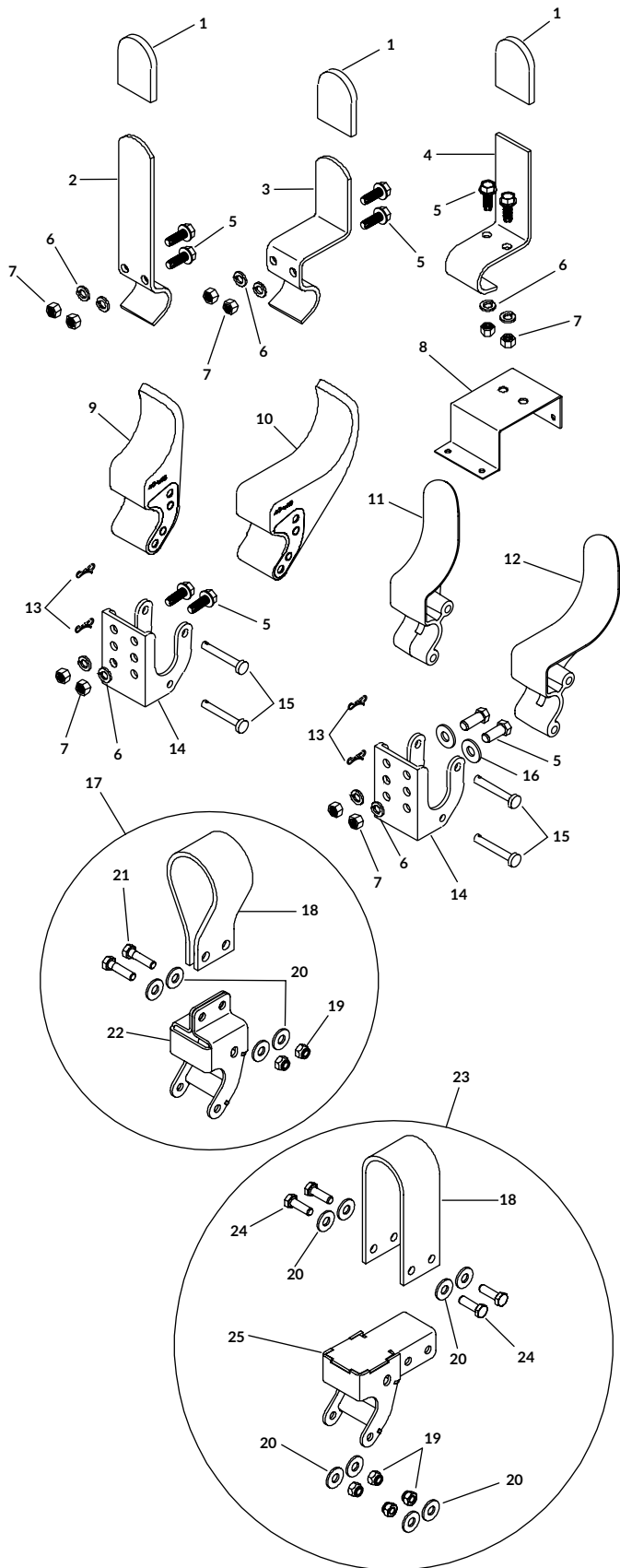
PRICE	ITEM	PART #	DESCRIPTION
		1125679	Gustbuster™ Cord Kit - GT (8' to 9') - 1 Cord [Includes 1; 2 of 2; 4 & 5; 3 of 3]
		1125680	Gustbuster™ Cord Kit - GT (8' to 9') - 2 Cord [Includes 2 of 1; 4 of 2; 4 & 5; 6 of 3]
		1125681	Gustbuster™ Cord Kit - GT (8' to 9') - 3 Cord [Includes 2 of 1; 6 of 2; 4 & 5; 6 of 3]
		1126741	Gustbuster™ Cord Kit - GC (10' to 11') - 2 Cord [Includes 2 of 1; 4 of 2; 4 & 5; 6 of 3]
		1126742	Gustbuster™ Cord Kit - GC (11' to 12') - 2 Cord [Includes 2 of 1; 4 of 2; 4 & 5; 6 of 3]
		1126743	Gustbuster™ Cord Kit - GC (12' to 13') - 2 Cord [Includes 2 of 1; 4 of 2; 4 & 5; 6 of 3]
		1130273	Gustbuster™ Cord Kit - GC (13' to 14') - 2 Cord [Includes 2 of 1; 4 of 2; 4 & 5; 6 of 3]
		1129947	Gustbuster™ Cord Kit - GC (17' to 18') - 2 Cord [Includes 2 of 1; 4 of 2; 4 & 5; 6 of 3]
		1127477	Gustbuster™ Hardware [Includes 2 of 2; 4 & 5; 3 of 3]
1		1705638	Gustbuster™ Cord - GT (8' to 9')
		1126738	Gustbuster™ Cord - GC (10' to 11')
		1126739	Gustbuster™ Cord - GC (11' to 12')
		1706662	Gustbuster™ Cord - GC (12' to 13')
		1706661	Gustbuster™ Cord - GC (13' to 14')
		1129946	Gustbuster™ Cord - GC (17' to 18')
2		1700400	Self-Tapping Screw - 3/8" x 1" (non-corrosive coating)
3		1705992	Aluminum Spacer - 1/2" OD x .382 ID x 1/4"
4		1128022	Aluminum Fender Washer - 3/8" ID x 1-1/8" OD
5		1704371	Hex Flange Nut - 3/8"

NOTE: Additional GustBuster™ sizes available upon request.





## TARP STOPS

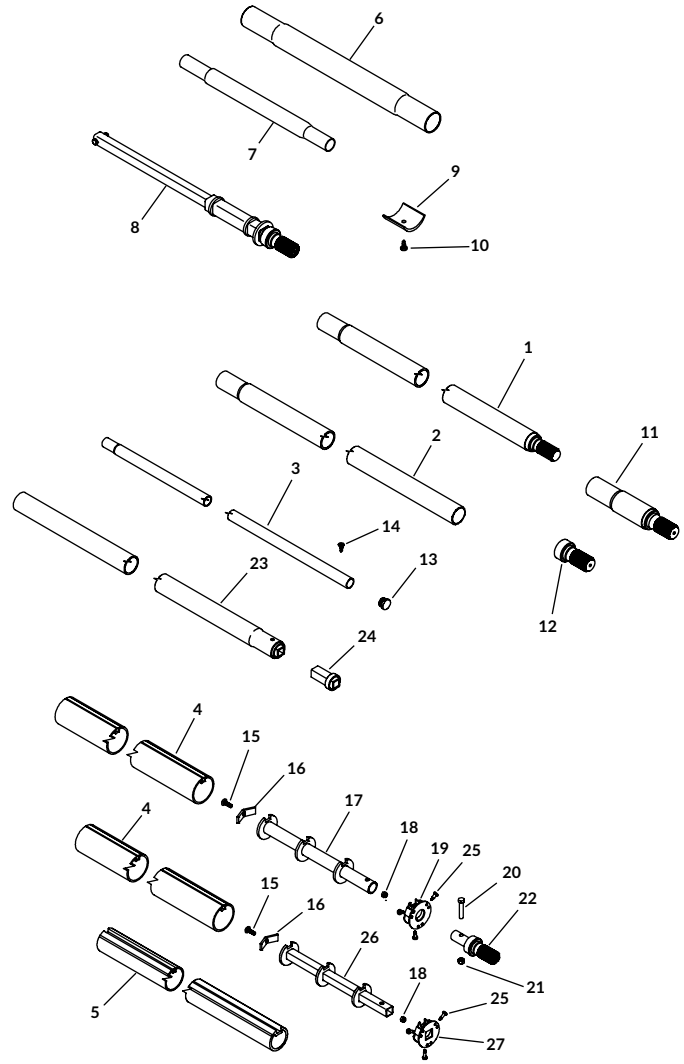


PRICE	ITEM	PART #	DESCRIPTION
			<b>TARP STOPS w/MOUNTING HARDWARE</b>
		1111092	Standard Tarp Stop w/Mounting Hardware [Includes 1; 2; 2 of 5, 6 & 7]
		1111093	Offset Tarp Stop w/Mounting Hardware [Includes 1; 3; 2 of 5, 6 & 7]
		1111096	Recessed Tarp Stop w/Mounting Hardware [Includes 1; 4; 2 of 5, 6 & 7]
		1124780	Easy-Off Aluminum (Cast) Tarp Stop w/Mounting Hardware [Includes 11; 14; 2 of 5, 6, 7, 13 & 15]
		1124781	Powder-Coated Easy-Off Aluminum (Cast) Tarp Stop w/Mounting Hardware [Includes 11; 14; 2 of 5, 6, 7, 13 & 15]
		1124782	Powder-Coated Easy-Off Aluminum (Cast) Tarp Stop - Stainless Body w/Mounting Hardware [Includes 11; 14; 2 of 5, 6, 7, 13 & 15]
		1124783	Easy-Off Aluminum (Cast) 6" Offset Tarp Stop w/Hardware [Includes 12; 14; 2 of 5, 6, 7, 13 & 15]
		1124784	Powder-Coated Easy-Off Aluminum (Cast) 6" Offset Tarp Stop w/Hardware [Includes 12; 14; 2 of 5, 6, 7, 13 & 15]
		1114047	Easy-Off Flexible Tarp Stop w/Mounting Hardware [Includes 9; 14; 2 of 5, 6, 7, 13 & 15]
		1114388	Easy-Off Flexible 6" Offset Tarp Stop w/Mounting Hardware [Includes 10; 14; 2 of 5, 6, 7, 13 & 15]
		1122278	Easy-Off Belt Flex Tarp Stop w/Mounting Hardware [Includes 14; 18; 22; 2 of 5, 6, 7, 13, 15, 19 & 21; 4 of 20]
		1123798	Easy-Off Belt Flex 6" Offset Tarp Stop w/Mounting Hardware [Includes 14; 18; 25; 2 of 5, 6, 7, 13 & 15; 4 of 19 & 24; 8 of 20]
		1118389	Bowtie Cotter Pin/Ring Assembly [Includes 2 of 13 & 15]
	1	1700729	Protective Cap
	2	1100049	Standard Tarp Stop
	3	1100392	Offset Tarp Stop
	4	1105163	Recessed Tarp Stop
	5	1700400	Self-Tapping Screw - Non Corrosive Coating - 3/8" x 1"
		1703579	Stainless Hex Head Cap Screw - 3/8" x 1"
	6	1700434	Lock Washer - 3/8"
		1703576	Stainless Lock Washer - 3/8"
	7	1700407	Hex Nut - 3/8"
		1200999	Stainless Hex Nut - 3/8"
	8	1100814	Tarp Stop Bracket
	9	1115216	Easy-Off Flexible Tarp Stop Upright w/Embedded Safety Plate
	10	1115217	Easy-Off Flexible 6" Offset Tarp Stop Upright w/Embedded Safety Plate
	11	1705775	Easy-Off Aluminum (Cast) Tarp Stop Upright
		1124770	Powder-Coated EO Alum. (Cast) Tarp Stop Upright
	12	1705454	Easy-Off Alum. (Cast) 6" Offset Tarp Stop Upright
		1124772	Powder-Coated EO Aluminum (Cast) 6" Offset Tarp Stop Upright
	13	1704380	Bowie Cotter Pin - 1-3/8"
	14	1100833	Easy-Off Tarp Stop Body
		1116975	Stainless Easy-Off Tarp Stop Body
	15	1703604	Clevis Pin - 5/16" x 2-7/8"
		1703577	Stainless Flat Washer - 3/8"
	17	1122260	Easy-Off Belt Flex Tarp Stop Upright
	18	1122237	Rubber Belting - 1/5" x 2" x 12"
	19	1700419	Nylon Lock Hex Nut - 5/16"
		1700428	Flat Washer - 5/16"
	21	1701208	Hex Head Cap Screw - 5/16" x 1-1/4"
	22	1122259	Tarp Stop Upright Bracket
	23	1123455	Easy-Off Belt Flex 6" Offset Tarp Stop Upright
	24	1704416	Hex Head Cap Screw - 5/16" x 1"
	25	1123454	Tarp Stop Upright Bracket - Offset

# GENUINE SHUR-LOK® AND PBR REPLACEMENT PARTS

## TARP TUBES

PRICE	ITEM	PART #	DESCRIPTION
			<b>Use w/SHUR-LOK® ROLL TARPS</b>
		1115966	U-Clamp Replacement Kit - 2" Roll Tube [Includes 3 of 9 & 10]
		1118643	U-Clamp Replacement Kit - 2" Roll Tube [Includes 8 of 9 & 10]
		1118644	U-Clamp Replacement Kit - 2" Roll Tube [Includes 10 of 9 & 10]
		1118663	U-Clamp Replacement Kit - 2" Roll Tube [Includes 14 of 9 & 10]
		1126790	U-Clamp Replacement Kit - 3" Roll Tube [Includes 3 of 9 & 10]
		1126791	U-Clamp Replacement Kit - 3" Roll Tube [Includes 8 of 9 & 10]
		1126792	U-Clamp Replacement Kit - 3" Roll Tube [Includes 10 of 9 & 10]
		1126793	U-Clamp Replacement Kit - 3" Roll Tube [Includes 14 of 9 & 10]
		1122879	Manual Crank Kit - 3" Aluminum Roll Tube [Includes 15; 16; 17; 18; 19; 20; 21; 22; 3 of 25]
	1	1128148	Roll Tube w/Spline - 2" x 8'
		1128147	Roll Tube w/Spline - 2" x 11'-8"
		1119118	Roll Tube w/Spline - 2" x 12'-9"
		1107057	Roll Tube w/Spline - 2" x 16'
		1107058	Roll Tube w/Spline - 2" x 20'
		1107059	Roll Tube w/Spline - 2" x 24'
	2	1706153	Roll Tube - 2" x 8'
		1706152	Roll Tube - 2" x 11'
		1706151	Roll Tube - 2" x 15'
		1700048	Roll Tube - 2" x 16'
		1700046	Roll Tube - 2" x 20'
		1701427	Roll Tube - 2" x 24'
	3	1706156	Fixed Tube - 1-1/8" x 8'
		1706155	Fixed Tube - 1-1/8" x 11'
		1706154	Fixed Tube - 1-1/8" x 15'
		1700051	Fixed Tube - 1-1/8" x 16'
		1700049	Fixed Tube - 1-1/8" x 20'
		1701428	Fixed Tube - 1-1/8" x 24'
	4	1118639	Aluminum Roll Tube - 3" x 12'
		1704439	Aluminum Roll Tube - 3" x 16'
		1704398	Aluminum Roll Tube - 3" x 20'
		1704236	Aluminum Roll Tube - 3" x 24'
	5	1704863	Aluminum Splice Tube - 3"
	6	1107076	Roll Tube Swaged Connector
	7	1107077	Fixed Tube Swaged Connector
	8	1126182	Extendable Spline Assembly
	9	1701354	Plastic U-Clamp
	10	1700398	Self-Drilling Screw - 1/4" x 3/4"
		1705198	Self-Drilling Screw - 1/4" x 1"
	11	1107260	Spline Shaft Replacement - 2" x 9"
		1117670	Spline Shaft Replacement - 2" x 13"
		1120107	Spline Shaft Replacement - 2" x 21"
	12	1701244	Spline Shaft w/o Connector Tube
	13	1700523	Plastic End Plug
	14	1704768	Flat-Headed Self-Drilling Screw - 1/4" x 3/4"
	15	1704237	Carriage Bolt - 5/16" x 1" - GR5
	16	1118194	Cartridge Clamp
	17	1121039	Rear Cartridge
	18	1704297	Nylon Lock Nut - 5/16"
	19	1121040	Roll Tube End Cap - Rear
	20	1704264	Hex Head Cap Screw - 3/8" x 2"
	21	1702668	Top Lock Hex Nut - 3/8"
	22	1121111	Manual Crank Spline - 3"
			<b>Use w/BELT 'N RATCHET TARPS</b>
		1124899	Manual Crank Kit - 3" Aluminum Roll Tube w/ Square Key
	23	1105174	Roll Tube w/Square Key - 2" x 8'
		1128150	Roll Tube w/Square Key - 2" x 11'
		1128149	Roll Tube w/Square Key - 2" x 15'
		1105132	Roll Tube w/Square Key - 2" x 16'
		1105131	Roll Tube w/Square Key - 2" x 20'
		1105124	Roll Tube w/Square Key - 2" x 24'
	24	1105033	Roll Tube Square Key Replacement
	25	1705198	Self-Drilling Screw - 1/4" x 1"
	26	1124893	Rear Cartridge w/Square Key
	27	1124896	Roll Tube End Cap - Rear w/Square Key



\*For use with aluminum extendable spline end caps; see page 54.

## SHUR-LOK® JUNIOR

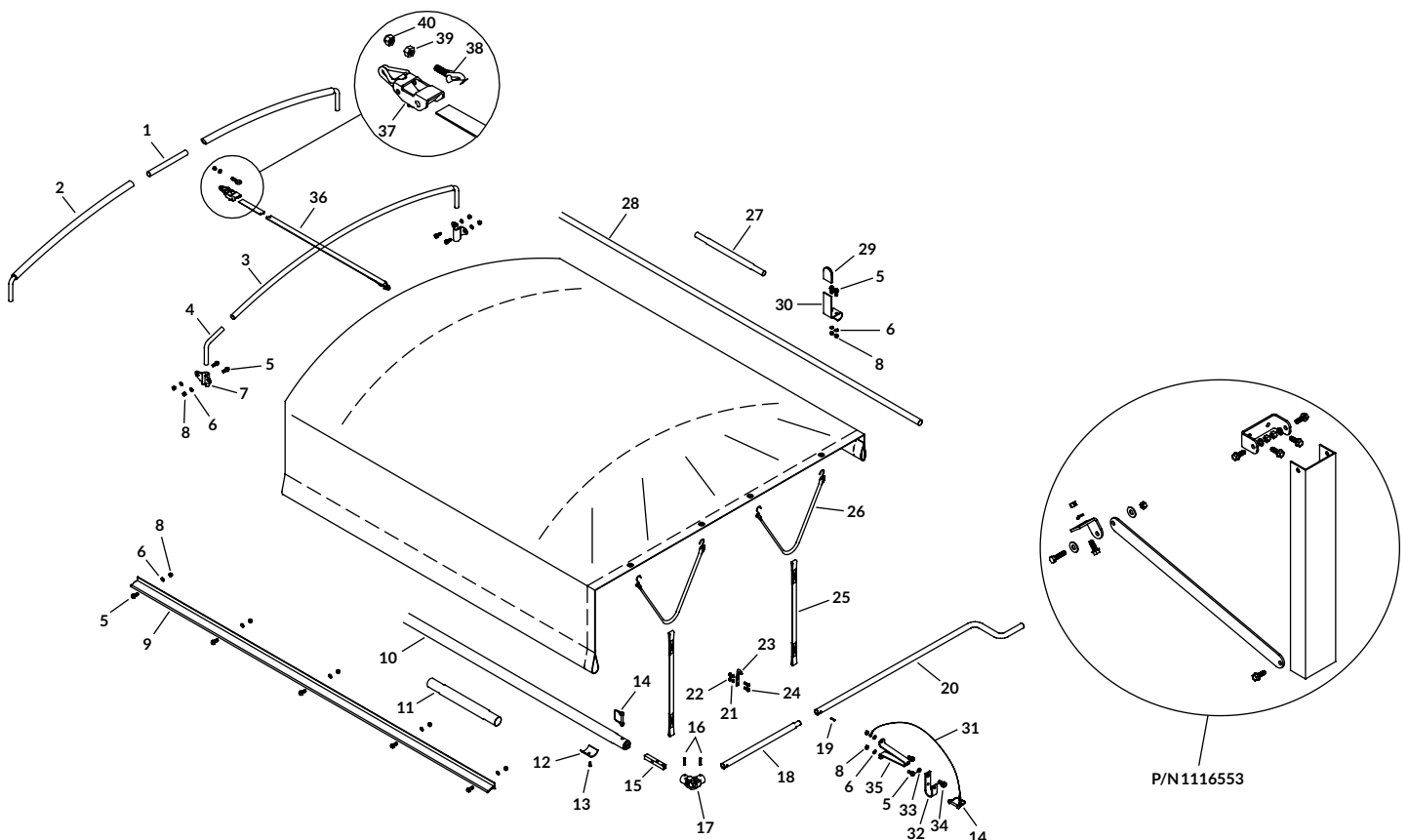
PRICE	ITEM	PART #	DESCRIPTION
		1100766	Galvanized Bow Kit - 8" Rise* - 93" to 102" [Includes 3; 4; 2 of 7; 4 of 5, 6 & 8]
		1117916	Galvanized Bow Kit - 8" Rise* - 85" to 92" [Includes 3; 4; 2 of 7; 4 of 5, 6 & 8]
		1106943	X-Wide Galvanized Bow Kit - 8" Rise* - 103" to 168" [Includes 1; 2 of 2 & 7; 4 of 5, 6 & 8]
		1111096	Recessed Tarp Stop w/Mounting Hardware [Includes 29; 30; 2 of 5, 6 & 8]
		1100386	Crank Retainer Kit w/7" Standoff [Includes 14; 31; 32; 33; 34; 35; 2 of 5, 6 & 8]
	1	1100685	X-Wide Bow Connector Tube
	2	1116118	Galvanized X-Wide Bow - 8" Rise - 103" to 168"
	3	1117904	Galvanized Bow - 8" Rise - 78" to 84"
		1116120	Galvanized Bow - 8" Rise - 85" to 92"
		1100760	Galvanized Bow - 8" Rise - 93" to 102"
	4	1100695	Galvanized Bow Shank - 8" Rise
	5	1700400	Self-Tapping Screw - 3/8" x 1" (non-corrosive coat- ing)
	6	1700434	Lock Washer - 3/8"
	7	1120836	Single Bow Bracket
	8	1700407	Hex Nut - 3/8"
	9	1701547	Galvanized Side Mount Latchplate - 8'
	10	1105174	Roll Tube w/Square Key - 2" x 8'
		1110328	Roll Tube - 2" x 8'
	11	1107076	Roll Tube Swaged Connector
	12	1701354	Plastic U-Clamp
	13	1700398	Self-Drilling Screw - 1/4" x 3/4"

\*Bow rise is typically 2" greater than rise of cap. Other rises available.

## SHUR-LOK® JUNIOR Continued

PRICE	ITEM	PART #	DESCRIPTION
	14	1700526	Wire Lock Pin - 3/8" x 2-1/2"
	15	1105166	Square Crank Key
	16	1700445	Spring Pin - 1/4" x 1-1/2"
	17	1700527	Econo U-Joint
	18	1107838	Square Crank Extension - 33"
	19	1701118	Spring Pin - 1/4" x 1-3/16"
	20	1100461	Offset Crank Arm
	21	1700436	Lock Washer - 1/4"
	22	1700408	Hex Nut - 1/4"
	23	1700682	Box Hook - 5/16" Holes
	24	1700381	Hex Head Cap Screw - 1/4" x 1"
	25	1105172	Strap - 24"
		1107005	Strap - 48" (X-Tall Units)
	26	1700650	Goldline Rubber Strap - 21"
	27	1107077	Fixed Tube Swaged Connector
	28	1701549	Tarp Tube Fixed - 1-1/8" x 8'
	29	1700729	Protective Cap
	30	1105163	Recessed Tarp Stop
	31	1100574	Cable w/#5 Interlock Snap
	32	1100040	J-Hook Crank Retainer
	33	1100306	Retainer Bushing - 11/16"
	34	1702996	Flange Cap Screw - 1/2" x 1-1/4"
	35	1100033	Crank Retainer Standoff - 7"
	36	1118514	Powder-Coated Ridge Strap w/Hook - 1" x 14'
	37	1118509	Buckle Weldment
	38	1700717	Eyebolt Anchor - 5/16"
	39	1700411	Hex Nut - 5/16"
	40	1700419	Nylon Lock Hex Nut - 5/16"
<b>OPTIONS</b>			
		1116553	Universal Crank Retainer Support Kit - 24"
		1100749	Aluminum Side Mount Latchplate - 4'
		1700802	Aluminum Side Mount Latchplate - 6'
		1700522	Aluminum Side Mount Latchplate - 8'

\*\*Crank retainer support kit does NOT include crank retainer assembly.



# GENUINE SHUR-CO® BULK PRICING

Ordering popular Shur-Co® items in bulk will improve your cost! You receive bulk price when you order in multiples of the case quantities listed. Check regular prices to compare your savings!



## FASTENERS

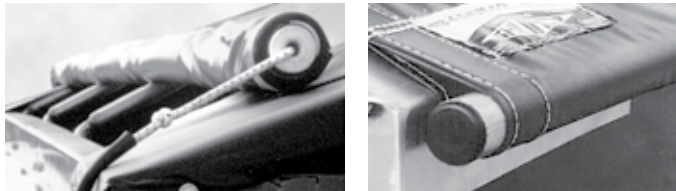
CASE QTY	REG. PRICE	BULK PRICE EA.	DESCRIPTION
840		1700400	Self-Tapping Screw - 3/8" x 1"
1500		1701354	Plastic U-Clamp
2500		1700398	Self-Drilling Screw - 1/4" x 3/4"
200		1703604	Clevis Pin - 5/16" x 2-7/8"
200		1704380	Bowtie Cotter Pin - 1-3/8"



ALUMINUM LATCHPLATE

## LATCHPLATES

CASE QTY	REG. PRICE	BULK PRICE EA.	DESCRIPTION
100		1100749	Aluminum Side Mount - 4'
100		1700802	Aluminum Side Mount - 6'
100		1700522	Aluminum Side Mount - 8'



ROLL TUBE

FIXED TUBE

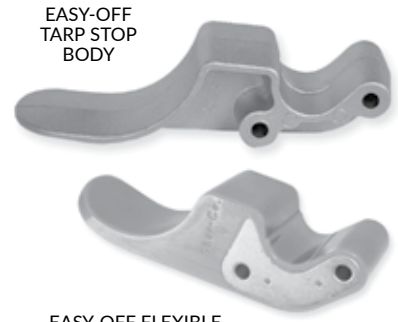
## TARP TUBES

CASE QTY	REG. PRICE	BULK PRICE EA.	DESCRIPTION
50		1706153	Roll Tube - 2" x 8'
50		1706152	Roll Tube - 2" x 11'
50		1706151	Roll Tube - 2" x 15'
50		1700048	Roll Tube - 2" x 16'
50		1700046	Roll Tube - 2" x 20'
50		1701427	Roll Tube - 2" x 24'
100		1706156	Fixed Tube - 1-1/8" x 8'
100		1706155	Fixed Tube - 1-1/8" x 11'
100		1706154	Fixed Tube - 1-1/8" x 15'
100		1700051	Fixed Tube - 1-1/8" x 16'
100		1700049	Fixed Tube - 1-1/8" x 20'
100		1701428	Fixed Tube - 1-1/8" x 24'
50		1706159	Ridgepole Tube - 8'
50		1706158	Ridgepole Tube - 11'
50		1706157	Ridgepole Tube - 15'
50		1701204	Ridgepole Tube - 16'
50		1701205	Ridgepole Tube - 20'
50		1701206	Ridgepole Tube - 24'

1 - 70 BLANK SHUR-LOK®/PBR



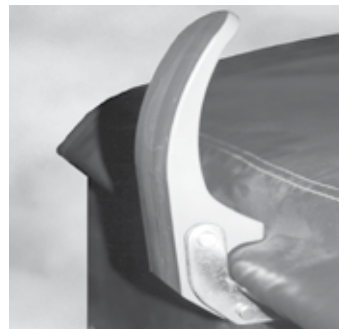
EASY-OFF ALUMINUM TARP STOP



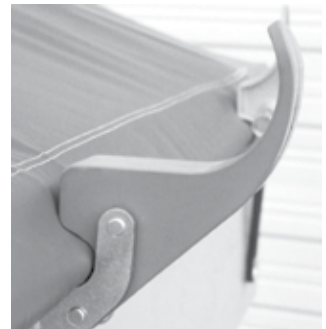
EASY-OFF FLEXIBLE TARP STOP BODY



EASY-OFF 6-INCH OFFSET ALUMINUM TARP STOP



EASY-OFF FLEXIBLE TARP STOP W/ EMBEDDED SAFETY PLATE



EASY-OFF FLEXIBLE 6-INCH OFFSET TARP STOP W/ EMBEDDED SAFETY PLATE

## TARP STOPS

CASE QTY	REG. PRICE	BULK PRICE EA.	DESCRIPTION
100		1100833	Easy-Off Tarp Body
50		1705775	EO Alum. (Cast) Tarp Stop Upright
35		1705454	Easy-Off Aluminum (Cast) 6" Offset Tarp Stop Upright
60		1115217	EO Flexible 6" Offset Tarp Stop Upright w/Embedded Safety Plates
100		1115216	EO Flexible Tarp Stop Upright w/Embedded Safety Plates
75		1124780	EO Aluminum (Cast) Tarp Stop*
50		1124783	Easy-Off Aluminum (Cast) 6" Offset Tarp Stop*
50		1114047	EO Flexible Tarp Stop*
50		1114388	EO Flexible 6" Offset Tarp Stop*

\*Includes mounting hardware.

## WIRE - DUAL CONDUCTOR

CASE QTY	REG. PRICE	BULK PRICE EA.	DESCRIPTION
500		1705995	Dual-Conductor Wire - 6 Ga. (500')
1800		1132341	Dual-Conductor Wire - 6 Ga. (1800')
1250		1705107	Dual-Conductor Wire - 4 Ga.* (per foot)

\*Priced per foot.

