

INDEX - 2

SHUR-CO® DISTRIBUTION CENTERS 2

SMARTTRAILER™ ELECTRICS

 Pricing Your System..... 3

 Choosing Your System..... 4

QR CODES FOR HOW-TO VIDEOS..... 4

SHUR-LOK® ELECTRIC 5

4500 SERIES HD

 4500 Series HD Series Electric for Grain Carts 6

 4500 Series HD Series Electric for Grain Trailers 7

 4500 Series HD Series Electric for End Dumps 8

 4500 Series HD Series Electric for Live-Bottom Trailers..... 9

 4500 Series HD Series Electric for Open-Top Vans..... 10-11

 4500 Series HD Series Electric for Chip/Refuse Trailers..... 11

TATER-TOP™ ELECTRIC 12

APEX™ 13

ELECTRIC HOPPER OPENERS

 Choosing Your System..... 14

 AutoTrap™ 14

 ProTrap® 15

ORDER FORMS..... 16-17

DRIVEMAXX™ AUGER DRIVE 18

ELECTRIC GATE AND HOIST 18

AUTOGATE™ 19

ELECTRIC TURNING POINT™ BOW 19

SOLAR & TRICKLE..... 20

SERVICE TRUCK POWER KIT 21

SHURLINK™ REMOTES..... 22

SMARTwire™ 23-29

CONTROL MODULES..... 30-31

LITEALL™ LED WORK LIGHT 34-35

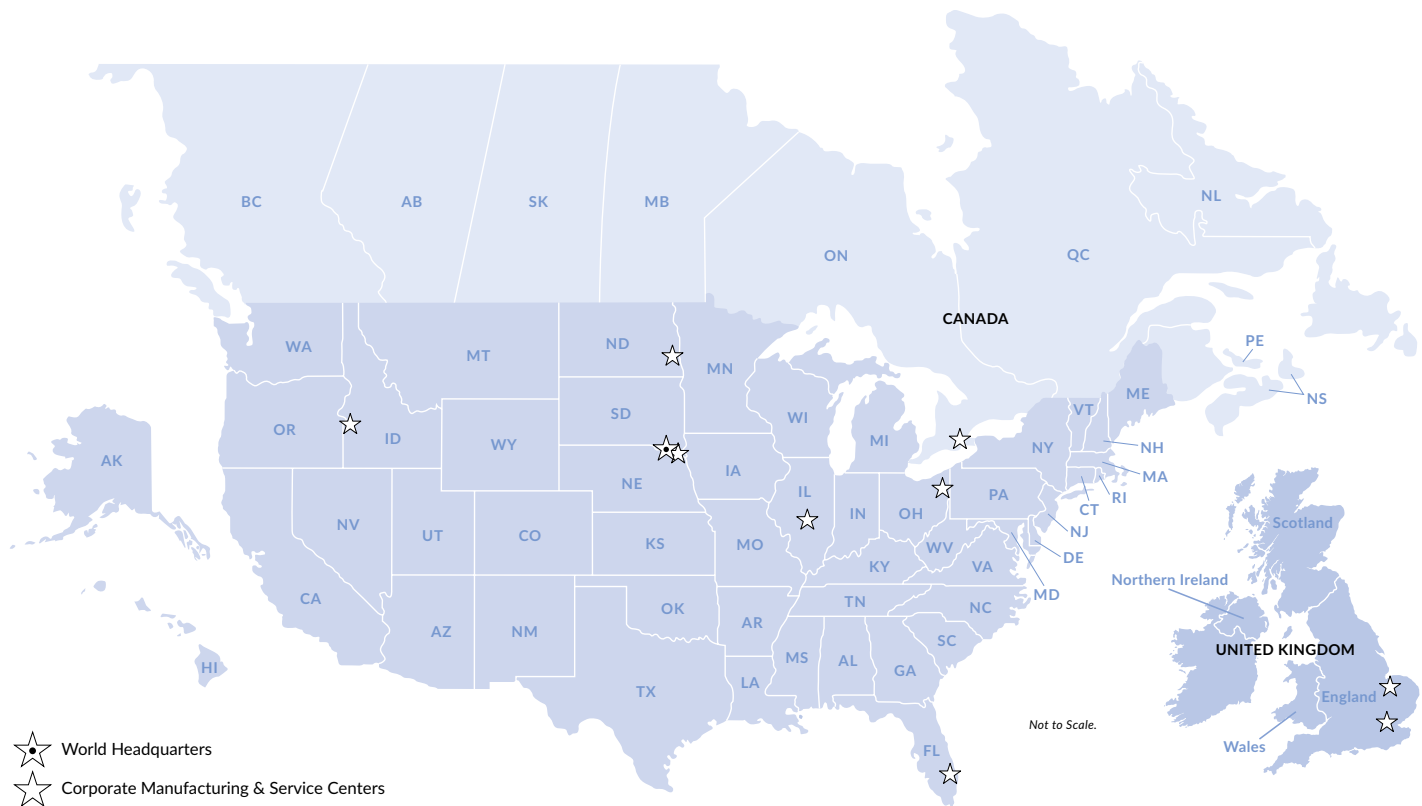
GENUINE REPLACEMENT PARTS..... 36-64

Volume 44 Introduction of the ShurLink™ Wireless System.

ShurLink EZR™ | ShurLink PRO™



SHUR-CO® SALES AND DISTRIBUTION CENTERS



- ★ World Headquarters
- ★ Corporate Manufacturing & Service Centers

World Headquarters
SHUR-CO® CORPORATE HQ
 2309 Shur-Lok St., Yankton
800.474.8756
 FAX: 605.665.0501

Donovan® Brand Headquarters
SHUR-CO® of FLORIDA
 3353 SE Gran Park Way, Stuart
800.327.8287
 FAX: 772.287.0431

SHUR-CO® of CANADA
 490 Egin St., Unit #2
 Brantford, Ontario N3S 7P8
800.265.0823
 FAX: 519.715.3997

SHUR-CO® of IDAHO
 921 Garber St., Caldwell
208.455.1046
 FAX: 208.459.1190

SHUR-CO® of OHIO
 4676 Lynn Rd., Rootstown
866.356.0242
 FAX: 330.297.5599

SHUR-CO® of SOUTH DAKOTA
 1212 N. Norbeck St., Vermillion
605.658.1020
 FAX: 605.658.1022

SHUR-CO® of ILLINOIS
 3993 E. Mueller Ave., Decatur
866.356.0246
 FAX: 217.877.8270

SHUR-CO® of NORTH DAKOTA
 1746 4th Ave. NW, West Fargo
877.868.4488
 FAX: 701.277.1283

SHUR-CO® UK Limited
 Rochester Airport Est., Unit 41
 Laker Rd.
 Rochester, Kent ME1 3QX
 +44 (0) 1795.473499

STANDARD v. OPTIONS

Each Shur-Co® tarp system comes with standard features. These are bulleted (●) and noted as **Standard** in bold type under STANDARD FEATURES AND OPTIONS, like the motors shown at right. Any change from these standard features affects the cost of your system. This is noted as an “add,” “deduct” or no charge “N/C.”

If, because of the length of your grain cart, you decide to upgrade to the HD Parallel Shaft Motor, you would add to your cost. Also, ordering a set of crank retainers to store the crank arm would add or an extra ShurLink EZR™ remote would add.

STANDARD FEATURES AND OPTIONS

MOTORS		
● 90° Worm Gear Motor - For Carts Up to 28' Long	Standard	
HD Parallel Shaft Motor - For Carts Over 28'	Add	CALL
ACCESSORIES		
Crank Retainers** - P/N 1121864 (2)	Add/Set	
Extra ShurLink EZR™ Remote	Add	
SMARTwire™ 2-Light Kit w/o Remote - ShurLink EZR™	Add	

NOTE: All prices in this catalog are subject to change without notice. All components other than standard may require a non-refundable \$100 special processing fee. Call for details.

THE SMARTRAILER™ LINEUP



Super-charge your trailer with the ultimate in trailer automation! Our SMARTrailer™ accessories provide you with the total package in convenience and productivity.

Start with your choice of electric tarp: we have a Shur-Lok® version with a light-duty motor and our 4500 Series HD systems – with American-made motor, magnetic brake and patented dual-pivot motor mount – for grain carts, grain trailers, end dumps, live-bottom trailers, open-top vans and chip and refuse trailers.

Proper motor choice will affect how much tension your tarp creates over the bows and caps while in the closed position. This impacts wind flutter control and tarp wear and can also affect how the tarp rolls and handles irregularities during operation.

In addition to our electric tarp selections, we carry a full line of electric accessories, like AutoTrap™ and ProTrap® hopper door openers, LiteALL™ LED work lights and our wireless remotes.

The ShurLink EZR™ lets you quickly switch between applications with the Select button. You cycle only between those you've installed: each channel is labeled, and the active one will be lit up. It's smaller than the ShurLink Pro™ remote but has equivalent range.

Our ShurLink Pro™ remote features two-way communication in a digital display – run more than 30 devices from over 100' away! It relays real-time feedback and lets you specify exact positioning of devices: Program tarps to halt away from tarp stops to save wear and tear; open traps based on capacity of elevator pits.

CHOOSING YOUR SYSTEM

AGRICULTURE

FARM BOX
 GRAIN TRAILER LIGHT USE
 GRAIN TRAILER HEAVY USE
 PUP TRAILER LIGHT USE
 PUP TRAILER HEAVY USE
 LIVE-BOTTOM SIDE HINGE
 LIVE-BOTTOM TOP HINGE

10' TO 24'	25' TO 34'	34' TO 54'
Shur-Lok® Electric	N/A	N/A
N/A	4500 Series HD	4500 Series HD
N/A	4500 Series HD	4500 Series HD
4500 Series HD or Shur-Lok® Electric	N/A	N/A
4500 Series HD	N/A	N/A
N/A	4500 Series HD w/Gate Flex™	4500 Series HD w/Gate Flex™
N/A	4500 Series HD w/Gate Flex™	4500 Series HD w/Gate Flex™
20' TO 30'		
Tater-Top™		

POTATO BOX

CONSTRUCTION

END DUMP
 PUP TRAILER

24' TO 48'
4500 Series HD w/Gate Flex™
4500 Series HD w/Gate Flex™

QR CODES FOR ELECTRIC HOW-TO VIDEOS

Shur-Co® has created a number of how-to videos showing operation of our 4500 Series HD electric roll tarp, and the QR codes below will take you right to them.

First, download any QR scanner app to your Smartphone. Then open the app and hover your phone over your chosen QR code. It's as easy as that!



4500 HD
Highlight Video



4500 HD
Arms Clip



4500 HD
Elbows Clip



4500 HD
Brake Clip



4500 HD
Manual Conversion Clip



4500 HD
Motor Clip



4500 HD
Motor Mount Clip



4500 HD
Receiver Box Clip



4500 HD
SMARTwire™ Clip



The ideal choice for existing Shur-Lok® systems and trailers up to 24', the Shur-Lok® Electric is available with either front and rear bungee return or front or rear cable return, steel components and light-duty motor. It offers rear spline capability and mounts on the front (or rear by special order), accommodating sloped or vertical trailers. This system works with minimal clearance and is easy to install and operate.

COMPLETE KITS (Available up to 24ft only.)

TRAILER OPTIONS	KIT OPTION	RETURN OPTION	DURABUILT™ MOTOR				SMARTDRIVE™ MOTOR			
			ROCKER	PRICE	EZR™	PRICE	ROCKER EXPRESS***	PRICE	EZR™ EXPRESS	PRICE
Farm Box w/Hoist	Galvanized	Bungee Return	1114886		1131617*		1131639**		1131643**	
	Galvanized	Cable Return	1124758		1131619*		1131640**		1131644**	
	Stainless	Bungee Return	1115777		1131620*		1131641**		1131645**	
Grain Trailer	Galvanized	Bungee Return	1114887		1131623*		No Option	-----	1131646**	
	Galvanized	Cable Return	1124760		1131636*		No Option	-----	1131647**	
Fertilizer Tender	Stainless	Bungee Return	1124092		1131637*		1131642**		1131648**	
Fertilizer Tender Trailer	Stainless	Bungee Return	1130502		1131638*		No Option	-----	1131649**	

*Will NOT operate in Express Mode.

**Will operate in Express Mode.

*** Can be upgraded to remote by ordering P/N 1131576 (EZR™) or P/N 1131575 (PRO).

MODES OF OPERATION

- Rocker - Uses the Durabuilt™ Motor. Operate the tarp system by utilizing a rocker switch inside the cab.
- ShurLink EZR™ - Uses the Durabuilt™ Motor. Operate the tarp system by EZR™ remote or by utilizing the buttons on the receiver located on the box. The Express Mode feature is NOT compatible with this option.
- Rocker Express - Uses the sealed SMARTdrive™ motor. Operate the tarp system by utilizing the express rocker switch located inside the cab or by pressing the buttons on the ShurLink™ receiver located on the box. One push of the button will open and close tarp system automatically in Express Mode.
- ShurLink EZR™ Express - Uses the sealed SMARTdrive™ motor. Operate the tarp system in Express Mode by EZR™ remote or by utilizing the buttons on the ShurLink™ receiver located on the box. One push of the button on remote or receiver box will open and close tarp system automatically in Express Mode.



4500 HD
Highlight Video

4500 SERIES HD ELECTRIC FOR GRAIN CARTS



Start with your box dimensions from the chart below, rounding up as needed. Using the STANDARD FEATURES AND OPTIONS chart at right, add or deduct as instructed for any changes from the bulleted (●) standard equipment.

Works as an application on existing Shur-Loks on grain carts. Our exclusive dual-pivoting Durabuilt™ motor mount allows for any misalignment of the roll tube without stress to the motor or arm.

- ◆ Works on Shur-Loks on Grain Carts
- ◆ Powerful Motor w/All-Metal Casing (Heavy Motor)
- ◆ 90° Worm Gear Motor (Light Motor)
- ◆ Patented Dual-Pivot Motor Mount
- ◆ Less Than or Equal to 144" Wide, Spiral Returns, Back (4)
- ◆ Greater than 144" Wide Spiral Spring Returns, Back (6)
- ◆ Heavy-Duty Cable Return
- ◆ Heavy-Duty Aluminum Bracket
- ◆ Single Heavy-Duty Aluminum Torsion Arm - Strongest on the Market, Lifetime Guarantee Against Breakage
- ◆ Cab Wiring Kit for Standard Electric Hardware

Note: Boxes wider than 144" will require Shur-Co® engineering approval.

STANDARD FEATURES AND OPTIONS

RETURNS	
● Less Than or Equal to 144" Wide - Standard 4-Spiral Torsion Springs	
● Greater Than 144" Wide - Standard 6-Spiral Torsion Springs	
Heavy-Duty Cable Return	Standard
MOUNTING BRACKETS	
● Heavy-Duty Aluminum Brackets	Standard
TORSION ARMS	
● Rear Aluminum Heavy-Duty Arms	Standard
WIRING	
● Tractor Cab Wiring Kit (6 Ga.) - Standard w/30' Wire/Electric Hardware	
● Trailer Wiring Kit (6 Ga.) - Standard w/SMARTwire™	
MOTORS	
● 90° Motor - For Carts Up to 144" Wide and 24' Long	Standard
HD Parallel Shaft Motor - For Any Size and Width Cart	Standard

COMPLETE KITS

	EZR™	PRO
Light Motor Kit w/o SMART Technology* ***		
Heavy Motor Kit w/ SMART Technology** ****		

* For carts up to 144" wide and 24' long

** For any length and width of cart

*** Light Duty option has NO positional feedback or express mode

**** Heavy Duty option will have positional feedback and express mode



4500 HD
Highlight Video



Start with your box dimensions from the chart below, rounding up as needed. Using the STANDARD FEATURES AND OPTIONS chart at right, add or deduct as instructed for any changes from the bulleted (●) standard equipment.

The 4500 Series HD has a powerful American-made motor and super-strong torsion arms that open and close the tarp with smooth, consistent tension. A patented dual-pivot motor mount allows for any misalignment of the roll tube without stress to the motor or arms.

- ◆ Works on Existing Shur-Loks and Trailers up to 54'
- ◆ Powerful Motor w/All-Metal Casing
- ◆ Patented Dual-Pivot Motor Mount
- ◆ Incredibly Reliable Magnetic Brake
- ◆ Spiral Spring Returns, Front (4) and Back (4)
- ◆ Heavy-Duty Mounting Bracket
- ◆ Heavy-Duty Aluminum Torsion Arms – Strongest on the Market, Lifetime Guarantee Against Breakage
- ◆ Patented SMARTwire™ Package for Easy Installation

COMPLETE KITS Double Arm

	ROCKER		EZR™		PRO	
	P/N	PRICE	P/N	PRICE	P/N	PRICE
Vertical Front*	1130836		1131650		1131652	
Sloped Front	1130837		1131651		1131653	

*Vertical Kits include a 10.25" pivot mount bracket

Note: Compatibility requirements are listed to the right.

COMPLETE KITS Single Arm*

	ROCKER	EZR™	PRO
Vertical Front			
Sloped Front			

*Includes heavy-duty cable return for rear of trailer.

COMPLETE KITS Double-Arm A Train**

	EZR™	PRO

**Includes one (1) remote ONLY.

NOTE: Length of lead important in ensuring correct size lead wiring kit. B Train kits MUST be special quoted.

STANDARD FEATURES AND OPTIONS

STANDARD 4500 SERIES HD KITS	
● Double-Arm Kits - Standard Universal P/N - Designed to Fit a Variety of Trailers *	
Non-Part Numbered Kits (See Trailer Listings Below)**	Add
RETURNS	
● 4-Spiral Torsion Springs per Arm	Standard
● HD Rear Cable Return - Standard w/Single-Arm Kits w/Alum. Caps	
MOUNTING BRACKETS	
● Heavy-Duty Aluminum Brackets	Standard
TORSION ARMS	
● Heavy-Duty Aluminum Arms	Standard
MOTOR COVERS	
● Black Motor Cover	Standard
Chrome Motor Cover	Add
WIRING	
● Cab Wiring Kit (6 Ga.) – Standard w/30' Wire/Electric Hardware	
● Trailer Wiring Kit (6 Ga.) – Standard w/SMARTwire™	
SPLINE CAPABILITY	
● Exposed Spline	Standard
A TRAIN SETUP - LEAD/PUP	
● Lead Wiring Kit (4 Ga.) w/SMARTwire™	Standard
● Coiled Wire (4 Ga.) w/Dual-Conductor Plug - 15'	Standard
Coiled Wire (4 Ga.) w/Dual-Conductor Plug - 20'	Add
OTHER OPTIONS	
Offset Crank Retainers *** (2 are required)	Add/Ea.
Extra ShurLink EZR™ Remote	Add
Extra ShurLink PRO™ Remote	Add
ACCESSORIES	
1131664 - ShurLink™ LiteALL™ w/SMARTwire™ - 2 Light	Add/Ea.

* Universal kits can NOT be combined with hopper opener kits.

** Non-Part Numbered kits will include but not limit to the following trailers. (1) Stoughton, (2) Truck Equipment Tri-Axle, (3) Maurer Aluminum Trailer (Vertical), (4) Jet Company.

*** Used to store crank arm.



4500 HD
Highlight Video

COMPATIBILITY REQUIREMENTS

The part-numbered (universal) kits are designed to fit the majority of trailers on the market.

Universal kits have the following compatibility requirements:

- Catwalk/ladder depth must be 10" or less
- Ladder cannot be positioned in the center of the back of the trailer
- Vertical kits include a 10.25" pivot mount bracket
- Sloped kits include a two-piece adjustable pivot mount bracket
- Will not work as a reverse roll kit
- Trailer cannot have a rear door
- Rib/rivet spacing must be between 12" to 15"
- Crank retainers not included with kits
- U-clamps and screws not included with kits

4500 SERIES HD ELECTRIC FOR END DUMPS



Start with your box dimensions from the chart below, rounding up as needed. Using the STANDARD FEATURES AND OPTIONS chart at right, add or deduct as instructed for any changes from the bulleted (●) standard equipment.

Flexible joint/elbow bypasses top-mount hinges and adapts to diagonal, square, radius and vertical or sloped fronts. Works on existing Shur-Loks and trailers up to 54'. Additional Gate Flex™ elbow accommodates tailgates.

- ◆ Powerful Motor w/All-Metal Casing
- ◆ Patented Dual-Pivoting Motor Mount
- ◆ Incredibly Reliable Magnetic Brake
- ◆ Spiral Spring Returns, Front (4) and Back (4)
- ◆ Heavy-Duty Mounting Bracket
- ◆ Heavy-Duty Aluminum Torsion Arms – Strongest on the Market, Lifetime Guarantee Against Breakage
- ◆ Patented SMARTwire™ Package for Easy Installation

COMPLETE KITS Double Arm - 75' Wire - Hinge Depth to 17"

	ROCKER	EZR™	PRO
Top Hinge - Vertical			
Side Hinge - Vertical			
Top Hinge - Sloped			
Side Hinge - Sloped			

Note: Easy-off 6" offset tarp stops are needed for top-hinge and side hinge 4500 Series HD kits. Also, if aluminum cap is installed on trailer, rear cap must be at least 20-1/4" deep for system to work.

COMPLETE KITS Single Arm* - 75' Wire - Hinge Depth to 17"

	ROCKER	EZR™	PRO
Vertical Front			
Sloped Front			

*Includes Shur-Strap™ return. Choosing heavy-duty Shur-Return™ or shock cord instead will NOT permit manual override.



4500 HD
Highlight Video

STANDARD FEATURES AND OPTIONS

RETURNS	
● 4-Spiral Torsion Springs per Arm	Standard
● Shur-Strap™ – Standard w/Single-Arm Kits	
Heavy-Duty Shur-Return™**	N/C
Shock Cord Roll Return*	N/C
MOUNTING BRACKETS	
● Heavy-Duty Aluminum Brackets	Standard
TORSION ARMS	
● Heavy-Duty Aluminum Arms	Standard
MOTOR COVERS	
● Black Motor Cover	Standard
Chrome Motor Cover	Add
WIRING	
● Cab Wiring Kit (6 Ga.) – Standard w/30' Wire/Electric Hardware	
● Trailer Wiring Kit (6 Ga.) – Standard w/SMARTwire™	
Additional 25' of (4 Ga) SMARTwire™ (100' Total)**	Add
SPLINE CAPABILITY	
● Gate Flex™ – Standard w/Double-Arm Kits	
● Exposed Spline – Standard w/Single-Arm Kits w/Shur-Strap™	
Manual Override Kit – For Kits w/Over 2" Hinge Depth	Add
TARP STOP UPRIGHTS	
● Existing Tarp Stop Uprights on Trailer***	Standard
Easy-Off Aluminum (Cast) 6" Offset Tarp Stop Upright	Add/Ea.
Easy-Off Flexible 6" Offset Tarp Stop Upright	Add/Ea.
OTHER OPTIONS	
Offset Crank Retainers**** (2 are required)	Add/Ea.
Extra ShurLink EZR™ Remote	Add
Extra ShurLink PRO™ Remote	Add
ACCESSORIES	
1131664 - ShurLink™ LiteALL™ w/SMARTwire™ - 2 Light	Add/Ea.

*Optional return for single-arm series.

** Needed for framed trailers 34' or longer.

*** If existing tarp stop is a standard easy-off, upgrading to a 6" offset will allow tarp to roll out past top rail. Allowing tarp to not interfere with swinging door.

**** Used to store crank arm.

4500 SERIES HD ELECTRIC FOR LIVE-BOTTOM TRAILERS



Start with your box dimensions from the chart below, rounding up as needed. Using the STANDARD FEATURES AND OPTIONS chart at right, add or deduct as instructed for any changes from the bulleted (●) standard equipment.

The flexible joint/elbow bypasses side-mount hinges and adapts to diagonal, square, radius and vertical or sloped fronts. Works on existing Shur-Loks and trailers up to 54' long. Additional Gate Flex™ elbow accommodates tailgates.

- ◆ Powerful Motor w/All-Metal Casing
- ◆ Patented Dual-Pivot Motor Mount
- ◆ Incredibly Reliable Magnetic Brake
- ◆ Spiral Spring Returns, Front (4) and Back (4)
- ◆ Heavy-Duty Mounting Bracket
- ◆ Heavy-Duty Aluminum Torsion Arms – Strongest on the Market, Lifetime Guarantee Against Breakage
- ◆ Patented SMARTwire™ Package for Easy Installation

STANDARD FEATURES AND OPTIONS

RETURNS	
● 4-Spiral Torsion Springs per Arm	Standard
● Shur-Strap™ – Standard w/Single-Arm Kits w/Fabric Caps	
● HD Rear Cable Return – Standard w/Single-Arm Kits w/Alum. Caps	
MOUNTING BRACKETS	
● Heavy-Duty Aluminum Brackets	Standard
● Rear Knife-Gate Beam Bracket – Standard w/Knife-Gate Trailers	
TORSION ARMS	
● Heavy-Duty Aluminum Arms	Standard
MOTOR COVERS	
● Black Motor Cover	Standard
Chrome Motor Cover	Add
WIRING	
● Cab Wiring Kit (6 Ga.) – Standard w/30' Wire/Electric Hardware	
● Trailer Wiring Kit (6 Ga.) – Standard w/SMARTwire™	
SPLINE CAPABILITY	
● Gate Flex™ – Standard w/Double-Arm Kits	
● Exposed Spline – Standard w/Single-Arm Kits w/Shur-Strap™	
Manual Override Kit – For Kits w/Over 2" Hinge Depth	Add
TARP STOP UPRIGHTS	
● Existing Tarp Stop Uprights on Trailer*	Standard
Easy-Off Aluminum (Cast) 6" Offset Tarp Stop Upright	Add/Ea.
Easy-Off Flexible 6" Offset Tarp Stop Upright	Add/Ea.
OTHER OPTIONS	
Offset Crank Retainers** (2 are required)	Add/Ea.
Extra ShurLink EZR™ Remote	Add
Extra ShurLink PRO™ Remote	Add
ACCESSORIES	
1131664 - ShurLink™ LiteALL™ w/SMARTwire™ - 2 Light	Add/Ea.

* If existing tarp stop is a standard easy-off, upgrading to a 6" offset will allow tarp to roll out past top rail. Allowing tarp to not interfere with swinging door.

** Used to store crank arm.

COMPLETE KITS Double Arm - Hinge Depth to 17"

	ROCKER	EZR™	PRO
Top Hinge			
Top Hinge w/Knife Gate			
Side Hinge			
Side Hinge w/Knife Gate			

NOTE: Easy-Off 6" offset tarp stops are needed for top-hinge and side-hinge 4500 Series HD kits. Also, if aluminum cap is installed on trailer, rear cap must be at least 20-1/4" deep for system to work.

COMPLETE KITS Single Arm* - Hinge Depth to 17"

	ROCKER	EZR™	PRO
Top Hinge			

*Includes heavy-duty rear cable return for trailer with aluminum cap or Shur-Strap™ return for trailer with rear fabric cap.



4500 HD
Highlight Video

4500 SERIES HD ELECTRIC FOR OPEN-TOP VANS WITH 2" ROLL TUBE



Start with your box dimensions from the chart below, rounding up as needed. Using the STANDARD FEATURES AND OPTIONS chart at right, add or deduct as instructed for any changes from the bulleted (●) standard equipment.

The 4500 Series HD has a powerful American-made motor and super-strong torsion arms to open/close the tarp with smooth, consistent tension. A patented dual-pivoting motor mount allows for misalignment of the roll tube without stress to the system.

- ◆ Works on Existing Shur-Loks and Trailers up to 54'
- ◆ Powerful Motor w/All-Metal Casing
- ◆ Patented Dual-Pivot Motor Mount
- ◆ Incredibly Reliable Magnetic Brake
- ◆ Spiral Spring Returns, Front (4) and Back (4)
- ◆ Heavy-Duty Mounting Bracket
- ◆ Heavy-Duty Aluminum Torsion Arms – Strongest on the Market, Lifetime Guarantee Against Breakage
- ◆ Patented SMARTwire™ Package for Easy Installation

STANDARD FEATURES AND OPTIONS

RETURNS	
● 4-Spiral Torsion Springs per Arm	Standard
● Shur-Strap™ – Standard w/Single-Arm Kits	
Heavy-Duty Shur-Return™*	N/C
Heavy-Duty Cable Return*	N/C
Shock Cord Roll Return*	N/C
MOUNTING BRACKETS	
● Heavy-Duty Aluminum Brackets	Standard
TORSION ARMS	
● Heavy-Duty Aluminum Arms	Standard
MOTOR COVERS	
● Black Motor Cover	Standard
Chrome Motor Cover	Add
WIRING	
● Cab Wiring Kit (6 Ga.) – Standard w/30' Wire/Electric Hardware	
● Trailer Wiring Kit (6 Ga.) – Standard w/SMARTwire™	
SPLINE CAPABILITY	
● Exposed Spline – For Kits w/Shur-Strap™	Standard
Manual Override Kit – For Kits w/Over 2" Hinge Depth	Add
OTHER OPTIONS	
Extra ShurLink EZR™ Remote	Add
Extra ShurLink PRO™ Remote	Add
ACCESSORIES	
1131664 - ShurLink™ LiteALL™ w/SMARTwire™ - 2 Light	Add/Ea.

*Returns should be chosen according to trailer configuration.

COMPLETE KITS Double Arm

	ROCKER	EZR™	PRO
Top Hinge			
Side Hinge			

COMPLETE KITS Single Arm*

	ROCKER	EZR™	PRO
Vertical Front			

*Comes with Shur-Strap™ return. Choosing heavy-duty Shur-Return™ instead will NOT permit manual override while heavy-duty cable return will.



4500 HD
Highlight Video

OPEN-TOP VANS, CHIP AND REFUSE TRAILERS WITH 3" ROLL TUBE



Start with your box dimensions from the chart below, rounding up as needed. Using the STANDARD FEATURES AND OPTIONS chart at right, add or deduct as instructed for any changes from the bulleted (●) standard equipment.

The 4500 Series HD has a powerful American-made motor and super-strong torsion arms that open/close the tarp with smooth, consistent tension. A patented dual-pivoting motor mount allows for misalignment of the roll tube without stressing the system.

- ◆ Works on Existing Shur-Loks and Trailers up to 54'
- ◆ Powerful Motor w/All-Metal Casing
- ◆ Patented Dual-Pivot Motor Mount
- ◆ Incredibly Reliable Magnetic Brake
- ◆ Spiral Spring Returns, Front (4) and Back (4)
- ◆ Heavy-Duty Mounting Bracket
- ◆ Heavy-Duty Aluminum Torsion Arms - Strongest on the Market, Lifetime Guarantee Against Breakage
- ◆ Patented SMARTwire™ Package for Easy Installation

COMPLETE KITS Double Arm

	ROCKER	EZR™	PRO
Top Hinge			
Side Hinge			

COMPLETE KITS Single Arm*

	ROCKER	EZR™	PRO
Vertical Front			

*Comes with Shur-Strap™ return. Choosing heavy-duty Shur-Return™ instead will NOT permit manual override while heavy-duty cable return will..



4500 HD
Highlight Video

STANDARD FEATURES AND OPTIONS

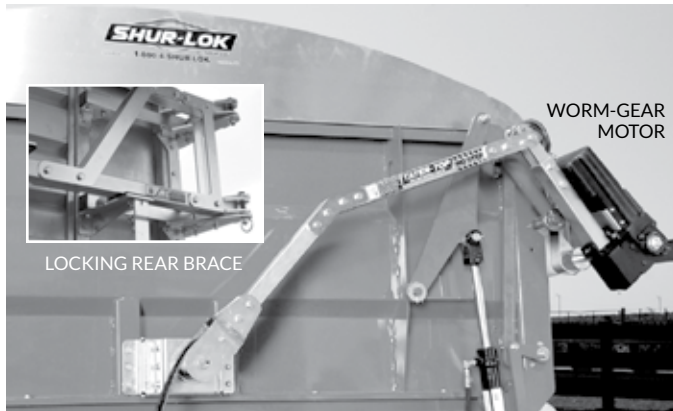
RETURNS	
● 4-Spiral Torsion Springs per Arm	Standard
● Shur-Strap™ - Standard w/Single-Arm Kits	
Heavy-Duty Shur-Return™*	N/C
Heavy-Duty Cable Return*	N/C
MOUNTING BRACKETS	
● Heavy-Duty Aluminum Brackets	Standard
TORSION ARMS	
● Heavy-Duty Aluminum Arms	Standard
MOTOR COVERS	
● Black Motor Cover	Standard
Chrome Motor Cover	Add
WIRING	
● Cab Wiring Kit (6 Ga.) - Standard w/30' Wire/Electric Hardware	
● Trailer Wiring Kit (6 Ga.) - Standard w/SMARTwire™	
SPLINE CAPABILITY	
● Gate Flex™ - Standard w/Double-Arm Kits	
● Exposed Spline - Standard w/Single-Arm Kits w/Shur-Strap™	
Manual Override Kit - For Kits w/Over 2" Hinge Depth	Add
OTHER OPTIONS	
Extra ShurLink EZR™ Remote	Add
Extra ShurLink PRO™ Remote	Add
ACCESSORIES	
1131664 - ShurLink™ LiteALL™ w/SMARTwire™ - 2 Light	Add/Ea.

*Returns should be chosen according to trailer configuration.

CONVERSION COMPONENTS

1118639	Aluminum Roll Tube - 3" x 12'
1704439	Aluminum Roll Tube - 3" x 16'
1704398	Aluminum Roll Tube - 3" x 20'
1704236	Aluminum Roll Tube - 3" x 24'
1704863	Aluminum Splice Tube - 3"
1122879	Manual Crank Kit - 3"

TATER-TOP™ FOR POTATO BOXES WITH 3" ROLL TUBE



Start with your box dimensions from the chart below, rounding up as needed. Using the STANDARD FEATURES AND OPTIONS chart at right, add or deduct as instructed for any changes from the bulleted (●) standard equipment.

“Loaded” with features, but without hydraulics to weigh it down! Rolls and climbs to clear heaped potato loads – no bows needed. Tarp snugs up under latchplate (a design originally patented on *The Original Shur-Lok®*) and Shur-Lok’s tarp bungee closes it tightly. Right-angle motor allows for 12" minimal clearance between box and cab of truck. 30' box limit.

Choose kit for swing-out rear arms: Utilized when rear upper door/gate is opened/dropped into box when loading with a potato piler. Rear door swings 270° and lays flat against side of box for easier maneuvering when backing into narrow cellar doors.

Choose fixed arm kit where rear loading door on the box is NOT used. Rear arm/pivot bracket is stationary; potatoes are loaded from side of box.

- ◆ Right-Angle Worm-Gear Motor Improves Clearance
- ◆ Thru-Bore Hex Design Allows Roll Tube Shaft to Float, Minimizes Stress on Motor
- ◆ Heavy-Duty Steel Arms
- ◆ Spiral Spring Returns, Front (6) and Back (6)
- ◆ ShurLink EZR™ and PRO Remote Compatible
- ◆ SMARTwire™ Connections Reduce Corrosion, Extend Life

Box Detail Sheet required for all Tater-Top™ Kits; see Section 7

ELECTRIC TATER-TOP™ KITS For Swing-Out Rear Arm*

	ROCKER	EZR™	PRO
20' to 24'			
26' to 30'			

ELECTRIC TATER-TOP™ KITS For Fixed Rear Arm*

	ROCKER	EZR™	PRO
20' to 30'			

*A Tater-Top™ Shur-Lok® system will be required to operate properly w/these electric kits. If an existing Shur-Lok® is installed, call to determine what can be reused

HARDWARE QTY

SIZE	TARP STOPS	U-CLAMPS
20' to 26'	4	10
27' to 30'	5	13

STANDARD FEATURES AND OPTIONS

MOTOR	
● Right-Angle Worm Gear Motor	Standard
MOTOR COVERS	
● Black Motor Cover	Standard
Chrome Motor Cover	Add
RETURNS	
● 6-Spiral Torsion Spring per Arm	Standard
MOUNTING BRACKETS	
● HD Brackets Designed for Each Application	Standard
TORSION ARMS	
● Heavy-Duty Steel Arms	Standard
OTHER OPTIONS	
Extra ShurLink EZR™ Remote	Add
Extra ShurLink PRO™ Remote	Add
ACCESSORIES	
1131664 - ShurLink™ LiteALL™ w/SMARTwire™ - 2 Light	Add/Ea.

A Shur-Lok® Tater-Top system is required to operate properly with Electric Tater-Top™ kits (see below left). If an existing Shur-Lok® is installed, call to determine what can be reused. The Shur-Lok® Tater-Top™ kits in the following chart INCLUDE a solid vinyl-covered tarp in your choice of colors. The 3" larger tube size flexes less, for smoother operation.

SHUR-LOK® TATER-TOP KITS w/3" Roll Tube

20'
22'
24'
26'
28'
30'

STANDARD FEATURES AND OPTIONS

LATCHPLATE	
● Aluminum Latchplate	Standard
END CAPS	
● Aluminum Sloped Front End Cap	Standard
● Mini Poorboy Tail - For Tighter Fit Over Caps	Standard
Shur-Lok® Alum. Cap - 14" Deep Roof Panel	N/C
TARP STOPS	
● Easy-Off Tarp Stops	Standard
BOWS/BRACKETS	
● Installation Kit* - 3 Bows/Brackets	Standard
TARP OPTIONS	
● 18-Oz. Vinyl Tarp - Choice of Colors	Standard
Multicolored Fabric (per added color)	Add
ACCESSORIES	
1131664 - ShurLink™ LiteALL™ w/SMARTwire™ - 2 Light	Add/Ea.
1102111 - Standard Tarp Repair Kit	Add/Ea.
1108059 - Professional Tarp Repair Kit	Add/Ea.

*Supports tarp during installation process. Can also be used for display purposes or for hauling small grain.

For versions longer than 30ft, Shur-Co® offers the *Tator-Top XL™*. Call for details.



Manual Shur-Lok® and PBR Tater-Top™ systems available upon request. Call for details.

Tater-Top™ Electric Highlights Video



Start with your box dimensions from the chart below, rounding up as needed. Using the STANDARD FEATURES AND OPTIONS chart at right, add or deduct as instructed for any changes from the bulleted (●) standard equipment.

NEW to Shur-Co's extensive line of product offerings, the APEX™. The APEX™ was specifically designed for use on open top vans, trash trailers and woodchip trailers, and is compatible with existing roll tarp systems that are currently utilizing flat caps. The low profile arm design allows for better cab clearance and increased heaped load capability*. The APEX™ can easily traverse loads up to 24" above the top of the trailer and it is Express Mode capable with the ShurLink EZR™ and ShurLink PRO™ remotes. All metal direct drive motor with SMARTwire™ connectors eliminates corrosion.

*It is the operator's responsibility to load and operate the vehicle within the vehicle manufacturer's specifications.

- ◆ Easily covers chip and refuse loads as tall as 24" above the trailer top rail.
- ◆ Fits trailers with reduced spacing between the tractor (cab) and the trailer
- ◆ Unique two-knuckle rear arm (patent pending) allows APEX™ to operate effectively on trailers where rear door top hinges are located as much as 10" forward from the rear of the trailer.
- ◆ Retrofit-able to trailers where manual tarp systems or other automatic systems are already installed.
- ◆ Superior motor & circuit protection.

STANDARD FEATURES AND OPTIONS

PIPE KITS - LONG PIPE*	
44' to 47' (1810392 - 48' of Pipe w/Splices and 22 U-Clamps & Screws)	Add
47' to 51' (1810393 - 52' of Pipe w/Splices and 22 U-Clamps & Screws)	Add
51' to 53' (1810394 - 56' of Pipe w/Splices and 22 U-Clamps & Screws)	Add

STANDARD FEATURES AND OPTIONS

PIPE KITS - SHORT PIPE	
44' to 47' 1811750 48' of Pipe w/Splices and 22 U-Clamps & Screws	Add
47' to 51' 1811751 52' of Pipe w/Splices and 22 U-Clamps & Screws	Add
51' to 53' 1811752 56' of Pipe w/Splices and 22 U-Clamps & Screws	Add

COMPLETE KITS

	ROCKER	"ROCKER GATEFLEX"	EZR™	"EZR™ GATEFLEX"	PRO	"PRO GATEFLEX"
Standard Roll	1810369	1810371	1811700	1811704	1811701	1811705
Reverse Roll	1810370	1810372	1811702	1811706	1811703	1811707

CHOOSING YOUR SYSTEM

Follow the chart at the right to help in determining proper motor selection when selecting your electric hopper door openers.

Both Shur-Co's Auto-Trap™ and ProTrap® motors are rated for torque loads over 230 foot-pounds.

The load on the hopper must NOT exceed torque needed in manual operation.

	AUTO TRAP™	PRO TRAP®
FARM TO MARKET USE	✓	✓
COMMERCIAL/CO-OP USE	Not Recommended	✓
HAULING COMMODITY GRAIN		
Corn, Wheat, Soybeans, Rice	✓	✓
HAULING HIGH-DENSITY MATERIALS		
Smooth River Rock	Occasional Use	✓
Fractured Rock	Not Recommended	✓
Concrete Construction Waste		✓
Fly Ash (Compacted)		✓
Fertilizer	Occasional Use	✓
HEAPED LOADS		
Light to Moderate	✓	✓
Moderate to Heavy	Based on Material	✓
HOPPER DOOR SIZE		
Standard - Up to 1,200 Sq. In.	✓	✓
Oversized - Over 1,200 Sq. In.	Based on Material	✓
HIGHER GROUND CLEARANCE	✓	
COMPACT/LIGHTWEIGHT	✓	

AUTO TRAP™ ELECTRIC HOPPER DOOR OPENER



MOTOR SLEEVE

Start with your box dimensions from the chart below, rounding up as needed. Using the STANDARD FEATURES AND OPTIONS chart at right, add or deduct as instructed for any changes from the bulleted (●) standard equipment.

Performance comparable to ProTrap®, in a more compact size and weight – nearly 40% lighter! Improved ground clearance.

- ◆ Thru-Bore Motor/Drive Shaft - 3/4" Hex Milled End
- ◆ Protective Motor Sleeve
- ◆ Universal Mounting Bracket
- ◆ Crank Shaft Adapter Kit - To Any Round 1", 7/8" or 3/4"
- ◆ Easy Manual Changeover
- ◆ Patented SMARTwire™ Package for Easy Installation
- ◆ ShurLink EZR™ or ShurLink PRO™ Configuration

COMPLETE KITS

	EZR™	PRO
	AUTO TRAP™ w/4500HD	AUTO TRAP™ w/4500HD
Single Hopper		
Double Hopper		
Tripple Hopper		
Quad Hopper		

COMPLETE KITS A Train

	EZR™	PRO
	AUTO TRAP™ w/4500HD	AUTO TRAP™ w/4500HD
A Train (2) x (1)		
A Train (2) x (2)		

NOTE: A Train kits include one (1) remote – with one exception. A Train (2) x (2) ShurLink EZR™ w/4500 includes two (2) remotes.

STANDARD FEATURES AND OPTIONS

ASSEMBLIES	
● Heavy-Duty Motor Mount Assembly*	Standard
CONTROLS	
Driver Side Mounting w/Controls	Standard
Passenger Side Mounting w/Driver Side Controls (per hopper)	Add/Ea.
MOUNTING BRACKETS	
● Hinge Bracket w/Shim Insulator	Standard
WIRING	
● Cab Wiring Kit (4 Ga.) – Standard w/Disc/30' Wire	
● Trailer Wiring Kit (4 Ga.) – Standard w/SMARTwire™	
External Master Disconnect Switch Kit	Add
w/4500 SERIES HD	
● Heavy-Duty Aluminum Brackets	Standard
● 4-Spiral Torsion Springs per Arm	Standard
● Heavy-Duty Aluminum Arms	Standard
● Exposed Spline	Standard
MOTOR COVERS	
● Black Motor Cover	Standard
Chrome Motor Cover	Add
A TRAIN SETUP LEAD/PUP	
● Lead Wiring Kit (4 Ga.) w/SMARTwire™	Standard
● Coiled Wire (4 Ga.) w/Dual-Conductor Plug - 15'	Standard
Coiled Wire (4 Ga.) w/Dual-Conductor Plug - 20**	Add
OTHER OPTIONS	
Offset Crank Retainers*** (2 are required)	Add/Ea.
Extra ShurLink EZR™ Remote	Add
Extra ShurLink PRO™ Remote	Add

*AutoTrap™ is NOT compatible w/strap-trap hoppers at this time.

** If distance between trailers is 14' plus, upgrade to 20' coil wire.

***Used to store crank arm.

PROTRAP™ ELECTRIC HOPPER DOOR OPENER



BUILT-IN ROCK FLAP



PREASSEMBLED UNIT



SMARTwire™ HARNESS

Start with your box dimensions from the chart below, rounding up as needed. Using the STANDARD FEATURES AND OPTIONS chart at right, add or deduct as instructed for any changes from the bulleted (●) standard equipment.

The cleaner, faster, safer way to unload grain. Hopper doors slide open at the touch of a button while you stand back, out of the dust. No need for unreliable, easily damaged limit switches.

- ◆ All-Metal Gears and Housing
- ◆ High-Efficiency Planetary Gear Reduction
- ◆ Breaker Circuit at Battery to Protect Motor
- ◆ Choice of Motors – 150, 250, or 350
- ◆ Master Disconnect Switch – Cab Mounted
- ◆ Patented SMARTwire™ Package for Easy Installation

The ProTrap® comes ready to mount, with pre-wired motor and remote/switch box, plus all necessary wiring, plugs, receptacles and switches. Our patented sealed SMARTwire™ harness helps prevent corrosion of connectors and greatly reduces install time.

The unit replaces the existing manual gearbox, attaches to the existing shaft (requires cutting shaft, based on mounting location) and mounts to existing knock rails. The plated steel universal mounting bracket bolts directly to the trailer.

NOTE: Length of lead is important in ensuring correct size lead wiring kit.

COMPLETE KITS 250/150 (Low Torque)*

EZR™		PRO
PROTRAP® w/4500HD	PROTRAP® w/4500HD	PROTRAP® w/4500HD
Single Hopper		
Double Hopper		
Tripple Hopper		
Quad Hopper		

*Actual torque varies based on wire size, length and voltage; motors are sized to protect trailer components. ProTrap® 150 low-torque motor is standard for trailers with strap-style traps; ProTrap® 250 is standard on rack and pinions. The ProTrap® 350 is used on very large hopper doors or when the material being hauled has a heavy columnar load.

COMPLETE KITS 250/150 A Train*

EZR™		PRO
PROTRAP® w/4500HD	PROTRAP® w/4500HD	PROTRAP® w/4500HD
A Train (2) x (1)		
A Train (2) x (2)		

*Actual torque varies based on wire size, length and voltage; motors are sized to protect trailer components. ProTrap® 150 low-torque motor is standard for trailers with strap-style traps; ProTrap® 250 is standard on rack and pinions.

NOTE: A Train kits include one (1) remote – with one exception. A Train (2) x (2) ShurLink EZR™ w/4500 includes two (2) remotes.

Please call for B Train information and pricing.

COMPLETE KITS 350 (Higher Torque)

EZR™		PRO
PROTRAP® w/4500HD	PROTRAP® w/4500HD	PROTRAP® w/4500HD
Single Hopper		
Double Hopper		
Tripple Hopper		
Quad Hopper		

*Actual torque varies based on wire size, length and voltage; motors are sized to protect trailer components. ProTrap® 150 low-torque motor is standard for trailers with strap-style traps; ProTrap® 250 is standard on rack and pinions. The ProTrap® 350 is used on very large hopper doors or when the material being hauled has a heavy columnar load..

COMPLETE KITS 350 A Train

EZR™		PRO
PROTRAP® w/4500HD	PROTRAP® w/4500HD	PROTRAP® w/4500HD
A Train (2) x (1)		
A Train (2) x (2)		

NOTE: A Train kits include one (1) remote – with one exception. A Train (2) x (2) ShurLink EZR™ w/4500 includes two (2) remotes.

STANDARD FEATURES AND OPTIONS

ASSEMBLIES	
● Heavy-Duty Motor (150) Mount Assembly - Standard w/Strap Trap	
● Heavy-Duty Motor (250) Mount Assembly - Standard w/Rack 'n Pinion	
● Heavy-Duty Motor (350) Mount Assembly - Standard w/Very Large Hopper Doors	
CONTROLS	
Driver Side Mounting w/Controls	Standard
Passenger Side Mounting w/Driver Side Controls (per hopper)	Add/Ea.
MOUNTING BRACKETS	
● Hinge Bracket w/Shim Insulator	Standard
WIRING	
● 150/250 Cab Wiring Kit (6 Ga.) - Standard w/Disc./30' Wire	
● 350 Cab Wiring Kit (4 Ga.) - Standard w/Disc./30' Wire	
● 150/250 Trailer Wiring Kit (6 Ga.) - Standard w/SMARTwire™	
● 350 Trailer Wiring Kit (4 Ga.) - Standard w/SMARTwire™	
External Master Disconnect Switch Kit	Add
W/4500 SERIES HD	
● Heavy-Duty Aluminum Brackets	Standard
● 4-Spiral Torsion Springs per Arm	Standard
● Heavy-Duty Aluminum Arms	Standard
● Exposed Spline	Standard
MOTOR COVERS	
● Black Motor Cover	Standard
Chrome Motor Cover	Add
A TRAIN SETUP LEAD/PUP	
● Lead Wiring Kit (4 Ga.) w/SMARTwire™	Standard
● Coiled Wire (4 Ga.) w/Dual-Conductor Plug - 15'	Standard
Coiled Wire (4 Ga.) w/Dual-Conductor Plug - 20'	Add
OTHER OPTIONS	
Offset Crank Retainers** (2 are required)	Add/Ea.
Extra ShurLink EZR™ Remote	Add
Extra ShurLink PRO™ Remote	Add

* If distance between trailers is 14' plus, upgrade to 20' coil wire.

** Used to store crank arm.

SMARTTRAILER™ ORDER FORM

G04OF-0623

Customer ID# _____

PO# _____ Date _____ Source Code _____

Name _____

Address _____ Email _____ Phone _____

City _____ State _____ Zip _____

END USER Ship To _____

DEALER

EXTRA TRANSMITTERS _____ Credit Card Information _____ Exp. Date _____

Code _____

NOTE: ShurLink EZR™ can control up to five devices while ShurLink PRO™ remote can control up to 30 devices.

WHICH OF THESE SYSTEMS DO YOU CURRENTLY OWN?

- | | | | |
|--|--|--|---|
| <input type="checkbox"/> EXISTING 3500 | <input type="checkbox"/> EXISTING 4500 | <input type="checkbox"/> EXISTING ProTrap® | <input type="checkbox"/> EXISTING AutoTrap™ |
| <input type="checkbox"/> Rocker | <input type="checkbox"/> SMARTtransmitter® | <input type="checkbox"/> SMARTtransmitter® | |
| <input type="checkbox"/> SMART1+™ | <input type="checkbox"/> SMART3™ | <input type="checkbox"/> SMART1+™ | <input type="checkbox"/> SMART3™ |
| SMART2™ <input type="checkbox"/> Vers. 8 <input type="checkbox"/> Vers. 9 <input type="checkbox"/> Other _____ | | SMART2™ <input type="checkbox"/> Vers. 8 <input type="checkbox"/> Vers. 9 <input type="checkbox"/> Other _____ | |
| Does it have SMARTwire™? <input type="checkbox"/> Yes <input type="checkbox"/> No | | Does it have SMARTwire™? <input type="checkbox"/> Yes <input type="checkbox"/> No | |

LIKE TO ADD?

- 4500 Series HD
- ProTrap®/AutoTrap™
- ProTrap®/4500 HD Combo
- AutoTrap™/4500 HD Combo

4500 Series Grain Trailer

TRAILER MAKE

- | | |
|--------------------------------------|-------------------------------------|
| <input type="checkbox"/> Wilson | <input type="checkbox"/> Cornhusker |
| <input type="checkbox"/> Timpte | <input type="checkbox"/> Neville |
| <input type="checkbox"/> Western | <input type="checkbox"/> Merritt |
| <input type="checkbox"/> Dakota | <input type="checkbox"/> Wheeler |
| <input type="checkbox"/> Jet Co. | <input type="checkbox"/> Hart Mfg. |
| <input type="checkbox"/> Maurer | <input type="checkbox"/> Stoughton |
| <input type="checkbox"/> Other _____ | |

Year _____

NOTE: Backer plates INCLUDED in kits.

FRONT OF TRAILER

- Vertical Sloped

ROLL DIRECTION OF TARP

- Standard Reverse Roll

REAR DOOR STYLE

- Standard Top Hinge Side Hinge

Depth: Ladder _____ Catwalk _____

LADDER POSITION

- Driver Side Passenger Side
- Center Off-Center Driver/Pass.

Rib/Rivet Spacing _____

ELECTRIC CONTROLS OPTION

- Rocker Switch**

**For 4500 alone, no ProTrap® combos.

- WIRELESS - ShurLink EZR™

- WIRELESS - ShurLink PRO™

The following **MUST** be ordered separately.

CRANK RETAINERS - Qty 2
(Used to store the crank under the king pin.)

- Yes No

U-CLAMPS & SCREWS

Existing Shur-Loks will need new U-clamps and screws to reattach the tarp to the roll tube.

- U-Clamps Screws

AutoTrap™/ProTrap®

TRAILER MAKE

- | | | |
|----------------------------------|-------------------------------------|----------------------------------|
| <input type="checkbox"/> Wilson | <input type="checkbox"/> Timpte* | <input type="checkbox"/> Jet Co. |
| <input type="checkbox"/> Dakota* | <input type="checkbox"/> Cornhusker | <input type="checkbox"/> Maurer |
| <input type="checkbox"/> Merritt | <input type="checkbox"/> Stoughton | <input type="checkbox"/> Neville |

Other _____ Year _____

*For these brands, special bracketry may be required.

Currently have a 3500/4500 with rocker?

Want to convert to Wireless? Yes No

MOTOR INSTALL LOCATION

- U.S. Driver U.S. Curb Side**

**Utilizes U.S. Driver Side controls.

STYLE Rack & Pinion Strap-Trap

SHAFT DIAMETER

- 1" 7/8" 3/4" Other

KNOCK RAIL Yes No

FRONT HOPPER

- Direct Drive - Clockwise***

- Direct Drive - Counterclockwise***

BACK HOPPER

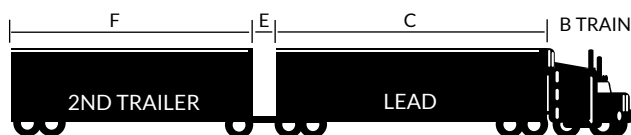
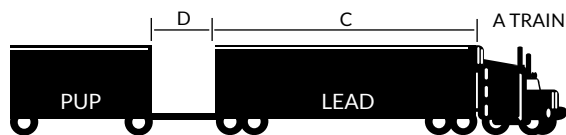
- Direct Drive - Clockwise***

- Direct Drive - Counterclockwise***

***Direction from view of where motor will mount.

Train Electric Systems Available in Wireless ONLY.

NOTE: MUST go through special quote and SOP to get pricing, plus lead wire kit and coiled wire plug added to price.



SECOND TRAILER CAN BE PULLED INDEPENDENTLY BY A TRACTOR

Shaft Diameter _____

D _____ Tongue Length on Pup (A TRAIN)

SOLAR Yes No

LEAD/PUP TRAINS (Refer to above illustration.)

E _____ Distance Between Lead and Trailer (B TRAIN)

Pull/Pup Yes No

C _____ Lead Train Length

F _____ Pull/Pup Train Length

Lead Yes No

G110F-0623

Customer ID# _____

PO# _____ Date _____ Source Code _____

Name _____

Address _____ Email _____ Phone _____

City _____ State _____ Zip _____

END USER Ship To _____

DEALER

EXTRA TRANSMITTERS* _____

Credit Card Information

--	--	--	--	--	--	--	--	--	--	--	--	--	--	--

Exp. Date _____

Code _____

*Normally comes with 1 but can program up to 5.

4500 Series End Dump

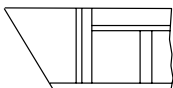
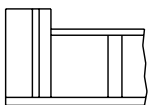
EQUIPPED WITH GATE FLEX™ OPTION TO ACCOMMODATE END DUMP DOORS

Make _____

Year _____

FRONT OF TRAILER

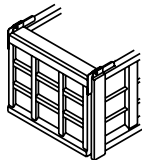
Vertical Sloped



REAR DOOR STYLE

Top Hinge*

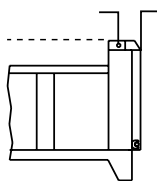
*Must be level with or below the top rail.



REAR HINGE DEPTH

0" - 10"

11" - 17"



MANUAL OVERRIDE KIT**

Yes No

**Recommended for hinge depth greater than 2".

QTY OF ELECTRICAL WIRE

75' 100'

SWITCH OPTION

Rocker Switch Wireless

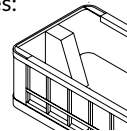
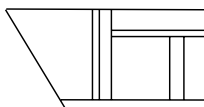
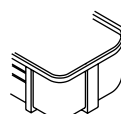
REMOTE OPTION

ShurLink EZR™ ShurLink PRO™

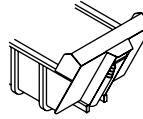
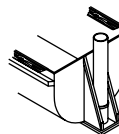
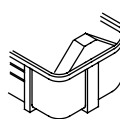
ADDITIONAL ITEMS TO ASK ABOUT

Are existing roll tubes in good shape?
Need easy-off 6" offset tarp stops?
Replacement U-clamps and screws?

Will fit these trailer styles:



These styles will need modification in order to operate properly:



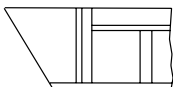
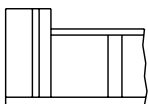
4500 Series Live Bottom

Make _____

Year _____

FRONT OF TRAILER

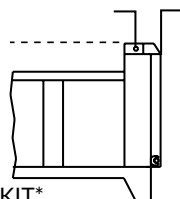
Vertical Sloped



REAR DOOR STYLE

Top Hinge* Side Hinge

REAR HINGE DEPTH



MANUAL OVERRIDE KIT*

Yes No

*Recommended if hinge depth is greater than 2".

RIB SPACING

Front _____ Rear _____ **

**Measure from center of rib to center of rib

CATWALK DEPTH _____

LOCATION OF LADDER

Driver Side Pass. Side Center

TRAILER MODEL

2006 or Newer Older

BACK CAP CHOICE**

Aluminum Fabric Cap

**Must be 20-1/4" deep.

SWITCH OPTION

Rocker Switch Wireless

REMOTE OPTION

ShurLink EZR™ ShurLink PRO™

ADDITIONAL ITEMS TO ASK ABOUT

Are existing roll tubes in good shape?
Need easy-off 6" offset tarp stops***?
Replacement U-clamps and screws?

***Required for top hinge rear door kits.

KNIFE GATE

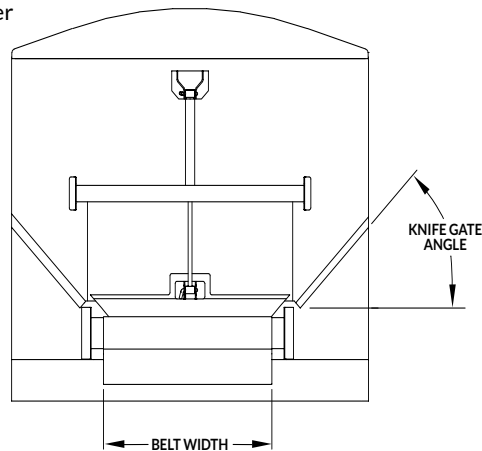
ANGLE

Yes No

45° 57°

BELT WIDTH

36" 42" 48" 60"



DRIVEMAXX™ AUGER DRIVE KIT



CONTROL BOX ON DISCHARGE TUBE



MAGNETIC BASE LITEALL™

Quickly swings auger hopper into position from the comfort of the cab. Independent 2-wheel dual-motor drive is powered by 220 lb.ft. of torque per motor. Direct-drive motors are designed with right-angle rear drive and no chains or chain tensioners. Rug-ged and dependable, with an aggressive tire tread.

Sealed SMARTwire™ connections and receiver box, plus enclosed gear boxes, for watertight reliability. Control box can be mounted on the discharge tube, if desired. Includes a remote-ready push-button LiteAll™ flood light.

COMPLETE KITS ShurLink™ System

SHURLINK™ SYSTEM	EZR™	NO REMOTE
2-Motor Kits - (10" to 12" Tubes)		
2-Motor Kits - (13" & 14" Tubes)*		

*Includes 2 Jacks.

STANDARD FEATURES AND OPTIONS

MAIN BEAM	
● Heavy-Duty Steel Beam	Standard
WHEELS	
● Independent 2-Wheel Dual-Motor Drive	Standard
JACK	
● 2000 LB Jack w/10" Stroke	Standard
Additional Jack	Add
WIRING	
● Cab Wiring Kit (6 Ga.) - Standard w/30' Wire/Electric Hardware	
MOTOR COVERS	
● Black Motor Cover	Standard
OPERATION	
● ShurLink™ Operating System	Standard
ShurLink EZR™ Remote	Add
ShurLink PRO™ Remote	Add
OTHER OPTIONS	
Additional Magnetic LED Work Light	Add
Additional Extension Cable w/WeatherPack™ - 20'	Add/Ea.

ELECTRIC GATE AND HOIST



Shur-Co's electric gate and hoist system controls the box hoist and slide gate on farm bodies. Add an electric tarp, lights and a swingaway auger and use the same ShurLink PRO™ remote for all functions! The dual mini-module controls accommodate flexible mounting locations on the truck box (mount one on the side and one on the rear or wherever is convenient).

All wiring connections utilize WeatherPack™ connectors on the hoist controls and D.O.T.-certified air fittings. If ordered with an electric tarp, includes SMARTwire™ package for easy install.

*****Gate & Hoist operates ONLY with manually-controlled air-switched systems.*****

COMPLETE KITS Box Detail Sheet required; see Section 7

	GATE/HOIST	GATE ONLY
ShurLink EZR™		
ShurLink PRO™		

NOTE: Order shuttle valve kit (P/N 1125037) below for Gate and Hoist kits. NOT required for Gate Only kit

OPTIONS

1125037	Shuttle Valve Kit
---------	-------------------



No need to get out of your tractor or truck when going through gates – safe, easy AutoGate™ does the work for you! Linear actuator lets you use your ShurLink™ remote to fully open and close gates (up to 16' wide or 550 lbs.) with one quick press of a button – opens or shuts completely in 10-15 seconds.

So easy to install! Includes complete mounting bracketry. Safety feature provides automatic shut-off if gate is obstructed. 20-watt solar panel included for convenient battery charging. Travel limits up to 100° are configurable via our ShurLink™ app.*

COMPLETE KITS ShurLink EZR™ (2) Remote Included

1131654	Gate Kit - Solar	
1131656	Gate Kit- 110 Volt Trickle Charge	

COMPLETE KITS ShurLink™ System NO Remote

1131655	Gate Kit - Solar	
1131657	Gate Kit- 110 Volt Trickle Charge	

REMOTES

1131576	ShurLink EZR™ Remote	
1131575	ShurLink PRO™ Remote w/Cradel/ Charging Cable	

ShurLink EZR™



SOLAR PANEL



CONTROL BOX

ELECTRIC TURNING POINT™ BOW SYSTEM



Our patented Turning Point™ bow system is now available in an electric version. A bow actuator swings bows up and out of the way for loading at the touch of a button. As with the manual Turning Point™ bow, the center pivoting ridgepole holds the tarp without sagging and moves the bows as one, in a single motion. The exclusive locking system provides secure transport support as well as serving as a skid plate when the bows swing closed.

ELECTRIC ADD ON OPTION*

	100' WIRE	75' WIRE	50' WIRE	30' WIRE
Rocker				
ShurLink EZR™**				
ShurLink PRO™**				

*Add this charge when pricing Turning Point™ Bow system.

**ShurLink EZR™ and ShurLink PRO™ will NOT give positional feedback; Express Mode will NOT be available but will work with other SMART applications.

ELECTRIC UPGRADE* Converting EXISTING Turning Point Bow Kit

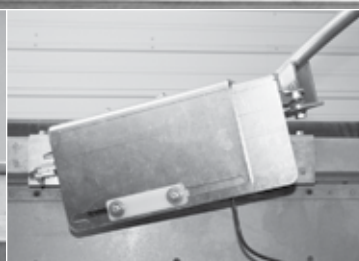
	100' WIRE	75' WIRE	50' WIRE	30' WIRE
Rocker				
ShurLink EZR™**				
ShurLink PRO™**				

* Includes front bow to attach actuator. No Ridgepole or other bows with this upgrade. Must have 6" offset tarp stops to upgrade to electric.

**ShurLink EZR™ and ShurLink PRO™ will NOT give positional feedback; Express Mode will NOT be available but will work with other SMART applications.

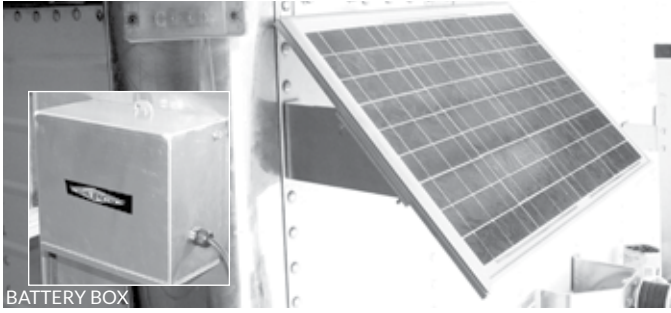


LOCKING SKID PLATE



BOW ACTUATOR

ELECTRIC OPTIONS



SOLAR POWER PACK

Solar Panel, Master Disconnect,
Sealed Gel Battery w/Box

Power your tarp without wiring your truck! Lightweight but powerful solar panel can be used wherever an electric tarping system can be installed. Compact 30-watt solar panel, just 3/4" deep, is the ideal choice for grain trailers, grain carts, dump bodies and more. The 12V battery is rated for over 5,000 cycles and can be safely installed vertically or horizontally. High-efficiency silicon cells are protected by weatherproof plastic.

1121199 Solar Pack - For Systems w/SMARTwire™

NOTE: Cab wiring kit is NOT needed if solar kit is being installed on lead trailer. Includes all necessary mounting hardware, brackets (2) and wire.

TRICKLE CHARGING KIT

1120936 Trickle Kit - For Systems w/ SMARTwire™

Trickle charging kits are meant to route power along the lead trailer to supply power to the gel battery attached to the pup trailer. The pup trailers can then operate attached Shur-Co® systems without being directly powered by the tractor.

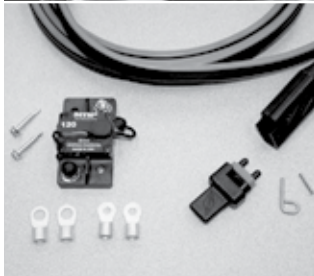


Round amber clearance light - recommended for use on trailers whose current light configuration cause interference issues.

CLEARANCE LIGHT

LED Light, Rubber Grommet, Bullet Connectors (2), Heat-Shrink Tubing

1121182 Clearance Light Kit



BASE SERVICE TRUCK POWER KIT



2-WAY CONDUCTOR PLUG



2-WAY CONDUCTOR SOCKET



EXTENSION CABLE



JUMPER CABLE KIT



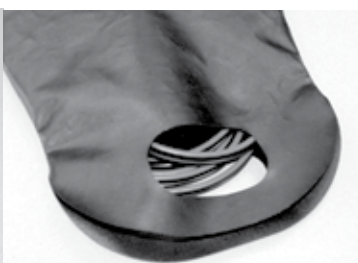
ROTARY SWITCH



JUNCTION BLOCK POWER SPLITTER



LED WORK LIGHT



ACCESSORIES BAG

Dependable power for service and fleet vehicles. Base remains mounted on your battery for convenience – jump vehicles without opening hood! Accessories quickly plug in, ready to go.

Mounts on vehicle grille or other convenient location.

BASE SERVICE TRUCK POWER KIT

W/MALE 2-POLE CONDUCTOR – P/N 1128052

BASE SERVICE TRUCK POWER KIT – P/N 1128064

- 4-Ga. Wire, 12' Long
- High-Quality Manual Reset Circuit Breaker

BASE KIT W/O CIRCUIT BREAKER – P/N 1128488

Power for trailers with horizontal or vertical sockets.

2-WAY CONDUCTOR PLUG – P/N 1128065

- 6- Ga. Wire, 10' Long

• Use w/Service Truck Power Kit and 2-Way Socket

Ideal for machinery needing frequent jump starts.

2-WAY CONDUCTOR SOCKET – P/N 1128066

- 6-Ga. Wire, 3'6" Long

• Includes Mounting Bracket

• Installs on Winches or Other 12V Motors

• Use w/Service Truck Power Kit and 2-Way Plug

Extends reach from service truck to accessories.

EXTENSION CABLES

- 4-Ga. Wire in 4 Lengths

• Use w/Service Truck Power Kit, 2-Way Plug and Jumper Cable Kit

P/N 1128099 - 8'

P/N 1128100 - 12'

P/N 1128101 - 16'

P/N 1128102 - 20'

Sealed SMARTwire™ connection between cables and service truck.

JUMPER CABLE KIT – P/N 1128067

- 4-Ga. Wire, 12' Long

• High-Quality, Insulated Cable Clamps

• Use w/Service Truck Power Kit

Runs tarp systems that are typically operated by an in-cab rocker switch.

ROTARY SWITCH – P/N 1128410

- 6-Ga. Wire

• 8' Length (4' Input, 4' Output)

• Built-In High-Quality Reset Breaker

Increases single SMARTwire™ connection to 3. Permanently installs on service truck or trailer.

JUNCTION BLOCK POWER SPLITTER – P/N 1121480

Light up the scene with a LiteALL™ LED flood beam in a hinged mounting bracket with magnetic base.

SERVICE TRUCK LED WORK LIGHT – P/N 1128324

- IP67 Waterproof Rating

• 1600 Lumens

Plenty of room for all kit choices listed above.

SERVICE TRUCK ACCESSORIES BAG – P/N 1128299

ShurLink™ WIRELESS REMOTES

The all new ShurLink™ WIRELESS SYSTEM, offered exclusively from Shur-Co®, introduces innovative, new properties while retaining your favorite features from its predecessor, the SMARTtransmitter® series. ShurLink™ Wireless System is replacing the SMART2™ and SMART3™ remote with two new remotes (TX's), the ShurLink EZR™ and ShurLink PRO™.

- The ShurLink™ system introduces two new water-tight receiver (RX) enclosures and two new remotes. ShurLink™ utilizes a single communication platform for all devices allowing the new family of receivers and remotes to conveniently operate nearly every application.
- A new phone app brings the ability for customization and configuration to your ShurLink™ system. The app will be available for both iOS and Android.
- EZR™, PRO, and the app all use the same ShurLink™ Wireless System making it easy to mix and match any combination of remotes, the app, and receivers on a single trailer or train.

ShurLink EZR™

- The SMART3™-style remote
- Low-cost option
- Simple two-button control
- Pair up to five receivers/accessories
- Two AAA batteries that are easily replaceable
- Longer battery life than SMART3™
- Longer range than SMART3™
- Patented lid prevents accidental button operation and powers down remote when closed to preserve battery power
- No screen display
- No two-way communication with receivers/accessories



ShurLink PRO™

- Six button remote
- Internal Li-Po battery with improved capacity and battery life
- Charging cradle via USB type-C
- Provides tarp or trap position feedback (encoder applications)
- Set end stops and two mid stops via the remote
- Longer range than SMART2™ and SMART3™
- Organize your paired devices on separate pages to avoid accidental operation of a device
- Customize your channel descriptions via phone app
- Patented lid prevents accidental button operation and powers down remote when closed to preserve battery power
- Daylight visible, 1.7" color screen display
- Reduced size (from SMART2™) for easier handling and operation
- Real time two-way communication with receivers/accessories



FEATURES	SMART3™ (DISCONTINUED)	ShurLink EZR™ (NEW)	SMART2™ (DISCONTINUED)	ShurLink PRO™ (NEW)
Operation Type	Hand Held Remote	Hand Held Remote	Hand Held Remote	Hand Held Remote
Operation Technology	SMARTech™	ShurLink™ Technology	SMARTech™	ShurLink™ Technology
Wireless Operation Available	Yes	Yes	Yes	Yes
Wireless Range	<100 Feet	Up to 150 Feet	<100 Feet	Up to 150 Feet
Wireless Two-Way Communication	No	No	Yes	Yes
Precision Control	Yes	Yes	Yes	Yes
Number of Devices	5	5	100	30
Power Source	Two AAA Batteries	Two AAA Batteries	Rechargable Lithium Bat.	Rechargable Lithium Bat.
Battery Charging Cradle	No	No	Yes	Yes
Digital Display	No	No	Yes, Black and White	Yes, Colored
Ability to Name Devices	Sticker on Remote Only	Sticker on Remote Only	With Digital Display	With Digital Display
Ability to Reorder Paired Device List	No	No	Yes	Yes
Current/Active Device ID	Yes	Yes	Yes, with Status Bar	Yes, with Status Bar
Backlit Digital Display	No	No	Yes	Yes
Sealed Control Box	Yes	Yes	Yes	Yes
Utilizes SMARTwire™ Connections	Yes	Yes	Yes	Yes
Protective Flip-Style Cover	Yes	Yes	Yes	Yes
Buttons Protected by Cover	Yes	Yes	Yes (Key)	Yes
Any Button Emergency Shut-Off	Yes	Yes	Yes	Yes
Interference by Competing Remote	No	No	No	No

KEY FEATURES

1. SILICONE SEALS

SMARTwire™ plugs and sockets utilize automotive-grade silicone seals to prevent water intrusion. Capable of temporary immersion, these connectors can survive harsh environments including off-road applications and exposure to road salt and de-icing chemicals.

3. BRASS PINS AND SOCKETS

The pins and sockets in our SMARTwire™ high-current connectors are CNC machined to close tolerances, guaranteeing a tight, low-resistance connection every time. These connectors have the same resistance as the 6-gauge cable, so you won't see additional voltage loss.

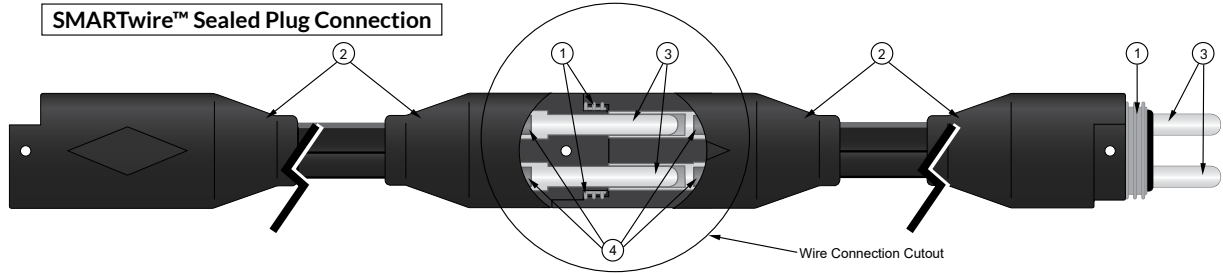
2. MOLDED PLUGS

Shur-Co® high-current plugs and sockets are over-molded directly onto the 4- or 6-gauge cable. This produces a waterproof seal at the back of the plug, preventing water intrusion along the cable.

4. WIRES AND CABLES

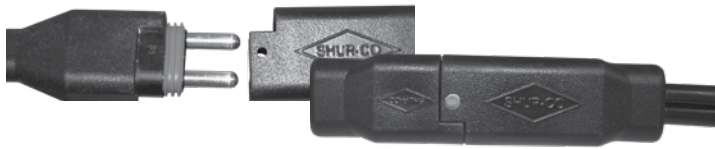
Shur-Co® wire and cable materials were selected for high flexibility, chemical resistance and wide temperature range. We use high-strand count copper conductors in our 4- and 6-gauge cables, allowing easier routing and tight radius bends.

SMARTwire™ Sealed Plug Connection



LOCKING PINS

SMARTwire™ high-current connectors have through holes to accept stainless locking pins. The locking pins prevent connector separation which can occur under high-shock loads or when the cables get covered with mud or ice.



EASY INSTALLATION AND EXPANSION

SMARTwire™ cables come fully terminated – no more stripping and crimping. You select the length, wire gauge and connectors or terminations to fit your application. When you need to connect to more than one device, our fully sealed 3-way Harness Junction Block converts one input to 3 outputs. It utilizes our precision-machined, low-resistance pins and sockets and our stainless locking pins.



WIRE SPECIFICATIONS AND SUGGESTED APPLICATIONS

SMARTwire™ SPECIFICATIONS

Voltage Rating	38 volts DC max
Current Rating	100 amps continuous, 200 amps peak (for no more than 10 seconds)
Connector Style	Over-molded 2-conductor with silicone gasket seal and locking pin
Contact Style	Precision-turned brass pins and sockets
Connector Sealing	Immersion tested to 12" water depth
Wire Gauges Available	4AWG and 6AWG
3-Way Junction Block Available	Splitter module available to supply power to multiple accessories
Patents	Active and pending patents can be found at www.shurco.com/patents



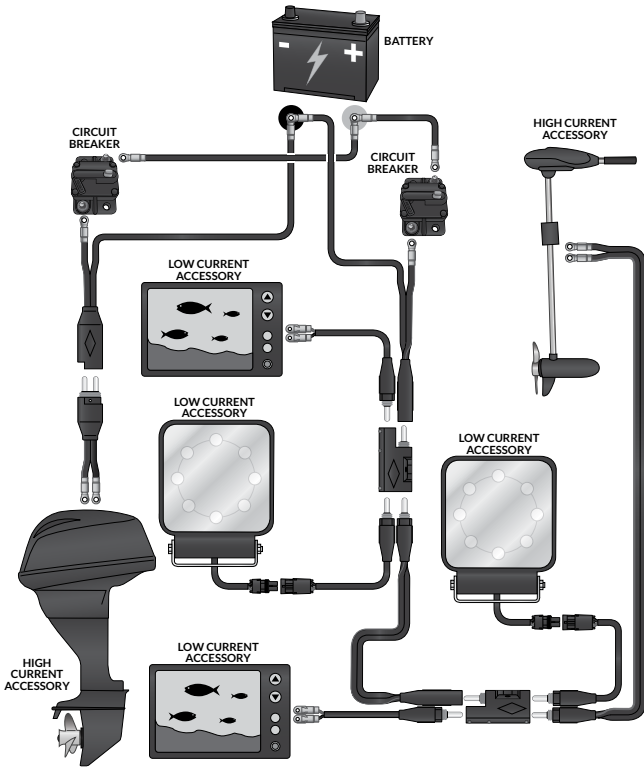
SMARTwire™ SPECIFICATIONS

Truck & Trailer Accessories	Wire all your accessories including spot lights, winches, EMS light bars and more while keeping your electric connections protected.
Marine Accessories	Operate all your accessories, including trolling motors, lights, fish finders, boat lifts and more while ensuring the connectors remain dry and secure.
Charging Vehicles & Scooters	Keep moving and feel confident your mode of transportation will be properly charged* when you need it.
Snow Plow Lighting & Actuators	Have the peace of mind that your snow removal equipment will have power when you need it in the harshest environments.
ATV Winch Power	Keep your ATV winch and other electric accessories ready for work or recreation.

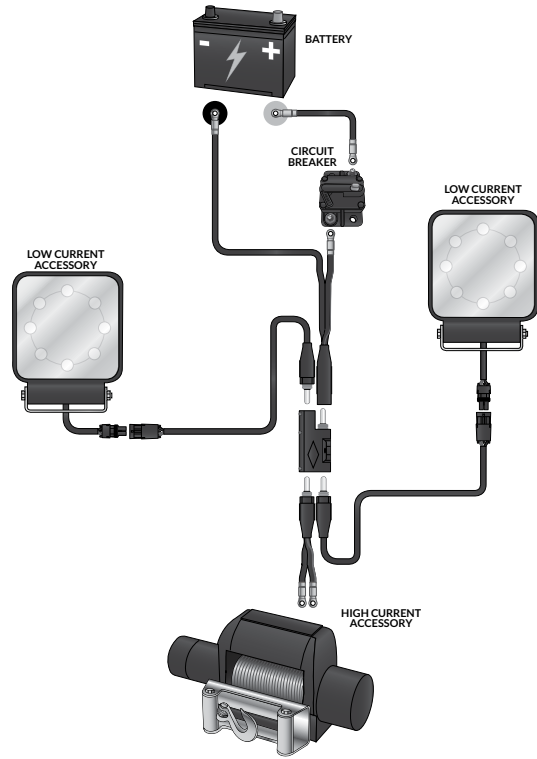
*Use of a properly operating and maintained charger must be used. Shur-Co® is not responsible for undercharging due to the charger not working or not maintained properly. Your battery charger must be properly rated for your application.

SAMPLE WIRING CONFIGURATIONS

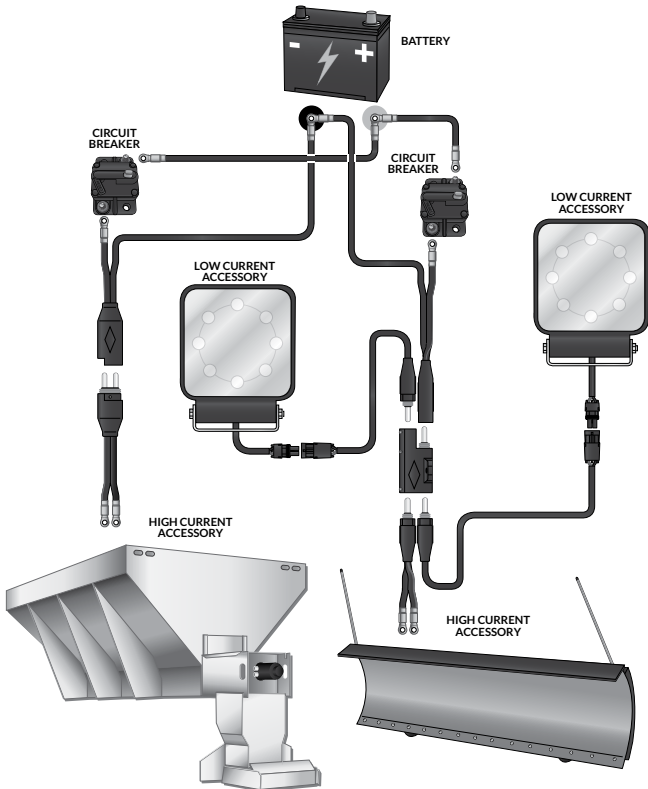
MARINE ACCESSORIES*



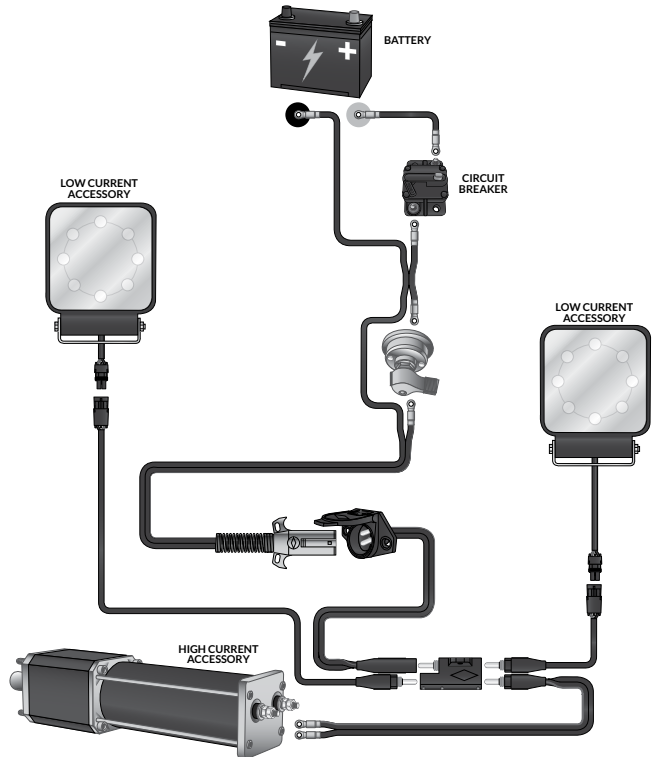
TRUCK ACCESSORIES*



SALT SPREADER ACCESSORIES*



TRUCK AND TRAILER ACCESSORIES*

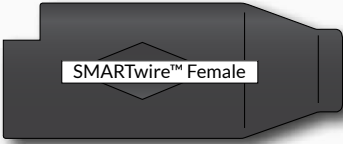


*The sample wiring configurations are for illustration purposes only. Contact the manufacturer of your accessories for specific wiring requirements.

ORDERING INSTRUCTIONS

BUILDING YOUR CUSTOM SMARTwire™ PART NUMBER

Wire Termination #1

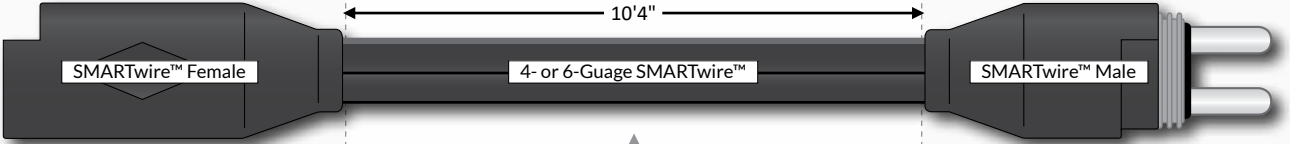


ITEM NO.
02

WIRE TERMINATION OPTIONS

CONNECTORS		
ITEM	DESCRIPTION	PAGE
01	SMARTwire™ Male	8
02	SMARTwire™ Female	8
03	2-Pole Socket	8
04	2-Pole Plug	8
RING TERMINALS		
ITEM	DESCRIPTION	PAGE
05	#10 Ring w/Heat Shrink	9
06	1/4" Ring w/Heat Shrink	9
07	5/16" Ring w/Heat Shrink	9
08	3/8" Ring w/Heat Shrink	9
09	1/2" Ring w/Heat Shrink	9
BLUNT		
ITEM	DESCRIPTION	PAGE
10	Blunt Wire	9
11	Stripped and Split Wire	9

Wire Type & Length



ITEM NO. WIRE LENGTH*

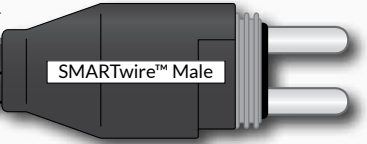
02 - 1004

FEET INCHES

WIRE TYPE OPTIONS

HIGH CURRENT		
ITEM	DESCRIPTION	PAGE
01	4-Gauge SMARTwire™	10
02	6-Gauge SMARTwire™	10

Wire Termination #2



ITEM NO.
01

WIRE TERMINATION OPTIONS

CONNECTORS		
ITEM	DESCRIPTION	PAGE
01	SMARTwire™ Male	8
02	SMARTwire™ Female	8
03	2-Pole Socket	8
04	2-Pole Plug	8
RING TERMINALS		
ITEM	DESCRIPTION	PAGE
05	#10 Ring w/Heat Shrink	9
06	1/4" Ring w/Heat Shrink	9
07	5/16" Ring w/Heat Shrink	9
08	3/8" Ring w/Heat Shrink	9
09	1/2" Ring w/Heat Shrink	9
BLUNT		
ITEM	DESCRIPTION	PAGE
10	Blunt Wire	9
11	Stripped and Split Wire	9

*Wire length does not include the added length of wire termination connectors and/or ring terminals.

ITEM NO. **SMARTwire™ DUAL MALE**

01

Voltage Rating	38 volts DC max
Current Rating	100 amps continuous, 200 amps peak (for no more than 10 seconds)
Connector Style	Over-molded 2-conductor with silicone gasket seal and locking pin
Contact Style	Precision-turned brass pins and sockets
Connector Sealing	Immersion tested to 12" water depth
Measurements	H: 1.375"; L: 3.512"; W: .813"
Mates With	SMARTwire™ Dual Female & SMARTwire™ Junction Block



NOT TO SCALE.

ITEM NO. **SMARTwire™ DUAL FEMALE**

02

Voltage Rating	38 volts DC max
Current Rating	100 amps continuous, 200 amps peak (for no more than 10 seconds)
Connector Style	Over-molded 2-conductor with silicone gasket seal and locking pin
Contact Style	Precision-turned brass pins and sockets
Connector Sealing	Immersion tested to 12" water depth
Measurements	H: 1.375"; L: 3.453"; W: .813"
Mates With	SMARTwire™ Dual Male & SMARTwire™ Junction Block



NOT TO SCALE.

ITEM NO. **2-POLE VERTICAL SOCKET**

03

Voltage Rating	38 volts DC max
Current Rating	100 amps continuous, 200 amps peak (for no more than 10 seconds)
Connector Style	Vertical pins
Contact Style	Precision-turned brass
Mates With	2-Pole Vertical Plug



NOT TO SCALE.

ITEM NO. **2-POLE VERTICAL PLUG**

04

Voltage Rating	38 volts DC max
Current Rating	100 amps continuous, 200 amps peak (for no more than 10 seconds)
Connector Style	Vertical pins
Contact Style	Precision-turned brass
Mates With	2-Pole Vertical Socket



NOT TO SCALE.

ITEM NO. **#10 RING TERMINAL W/HEAT SHRINK**

05



NOT TO SCALE.

ITEM NO. **1/4" RING TERMINAL W/HEAT SHRINK**

06



NOT TO SCALE.

ITEM NO. **5/16" RING TERMINAL W/HEAT SHRINK**

07



NOT TO SCALE.

ITEM NO. **3/8" RING TERMINAL W/HEAT SHRINK**

08



NOT TO SCALE.

ITEM NO. **1/2" RING TERMINAL W/HEAT SHRINK**

09



NOT TO SCALE.

ITEM NO. **BLUNT WIRE**

10

Strip Length	0.00"
Slit Length	0.00"



NOT TO SCALE.

ITEM NO. **STRIPPED AND SPLIT WIRE**

11

Strip Length	0.50"
Slit Length	1.75"



NOT TO SCALE.

ITEM NO.

01

4-GAUGE SMARTwire™

Voltage Rating	38 volts DC max
Current Rating	130 amps continuous, 200 amps peak (for no more than 10 seconds)
Insulation Colors	Black/red
Conductor	Multi-stranded
Length	Up to 30' in 5' increments, up to 100' in 10' increments*

*Minimum quantities may be required.



NOT TO SCALE.

ITEM NO.

02

6-GAUGE SMARTwire™

Voltage Rating	38 volts DC max
Current Rating	100 amps continuous, 200 amps peak (for no more than 10 seconds)
Insulation Colors	Black/red
Conductor	Multi-stranded
Length	Up to 30' in 5' increments, up to 100' in 10' increments*

*Minimum quantities may be required.



NOT TO SCALE.

ITEM NO.

01

HARNESS JUNCTION BLOCK/SPLITTER KIT

Voltage Rating	38 volts DC max
Current Rating	100 amps continuous, 200 amps peak (for no more than 10 seconds)
Connector Style	Over-molded 2-conductor with silicone gasket seal and locking pin. Includes one "power in" connector and 3 "power out" connectors.
Contact Style	Precision-turned brass pins and sockets
Connector Sealing	Immersion tested to 12" water depth
Measurements	H: 2.988"; L: 3.531"; W: 1.813"
Mates With	SMARTwire™ Dual Male & SMARTwire™ Dual Female
Includes	1-Harness Junction Block/Splitter (1704695), 1-Wire Harness Rubber Plug (1704717), 2-Harness Lock Pin - Long (1704696), 1-Harness Lock Pin - Short (1704711) and 2-Self-Tapping Screw (1704388)
Shur-Co® P/N	1120849



NOT TO SCALE.

3-Way Splitter



ITEM NO.

02

WIRE HARNESS RUBBER PLUG

Mates With	SMARTwire™ Junction Block/Splitter*
Shur-Co® P/N	1704717

*Fills unused ports on Harness Junction Block/Splitter.



NOT TO SCALE.

ITEM NO.

03

HARNESS LOCK PIN - LONG

Works With	SMARTwire™ Junction Block/Splitter
Shur-Co® P/N	1704696



NOT TO SCALE.

ITEM NO.

04

HARNESS LOCK PIN - SHORT

Works With	SMARTwire™ Junction Block/Splitter
Shur-Co® P/N	1704711



NOT TO SCALE.

ITEM NO.

04

HARNESS LOCK PIN - BLUNT

Works With	SMARTwire™ Male & SMARTwire™ Female
Shur-Co® P/N	1704751



NOT TO SCALE.

ITEM NO.

06

MASTER DISCONNECT ROTARY SWITCH

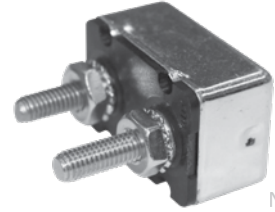
Voltage Rating	38 volt
Current Rating	100 amps continuous
Termination Type	3/8" stud
Shur-Co® P/N	1704283



NOT TO SCALE.

ITEM NO. **07** 40 AMP MODIFIED-RESET CIRCUIT BREAKER

Voltage Rating	12 volt
Current Rating	40 amp
Reset Method	Type II - modified
Termination	#10-32 thread
Shur-Co® P/N	1704354



NOT TO SCALE.

ITEM NO. **08** SMARTwire™ TO WEATHER PACK* ASSEMBLY

Voltage Rating	12-36 volt
Current Rating	20 amp
Wire Gauge	14 gauge
Termination	SMARTwire™ Dual Male & Weather Pack Plug
Length	Approx. 12"
Shur-Co® P/N	1122690

*Shur-Co, LLC is not related to or affiliated with J.R. Greenleaf & Company or White Products Division.



NOT TO SCALE.

ITEM NO. **09** SMARTwire™ TO BLUNT END WIRE ASSEMBLY

Voltage Rating	12-36 volt
Current Rating	20 amp
Wire Gauge	14 gauge
Termination	SMARTwire™ Dual Male & Blunt End
Length	Approx. 12"
Shur-Co® P/N	1704758



NOT TO SCALE.

ITEM NO. **10** RUBBER GROMMET - NARROW

Dimensions	D: 1.125"; W: .344"
Skin Thickness	.094"
Shur-Co® P/N	1704721

*Compatible with 6-gauge SMARTwire™.



NOT TO SCALE.

ITEM NO. **11** RUBBER GROMMET - THICK

Dimensions	D: 1.125"; W: .625"
Skin Thickness	.250"
Shur-Co® P/N	1704722

*Compatible with 6-gauge SMARTwire™.



NOT TO SCALE.

*More connection options may be possible. Please call to inquire.

The SMARTwire™ order form is on the following page (29).

CONTACT INFORMATION

NAME _____

BUSINESS _____

ADDRESS _____ CITY _____ STATE _____ ZIP _____

EMAIL _____ PHONE (____) _____ FAX (____) _____

DESCRIBE YOUR INTENDED USE

ORDER DETAILS

WIRE ORDER EXAMPLE
CUSTOM SMARTwire™ PART NUMBER: 02-02-1004-01
QUANTITY: 10

WIRE ORDER #1
CUSTOM SMARTwire™ PART NUMBER: _____ - _____ - _____ - _____
QUANTITY: _____

WIRE ORDER #2
CUSTOM SMARTwire™ PART NUMBER: _____ - _____ - _____ - _____
QUANTITY: _____

WIRE ORDER #3
CUSTOM SMARTwire™ PART NUMBER: _____ - _____ - _____ - _____
QUANTITY: _____

WIRE ORDER #4
CUSTOM SMARTwire™ PART NUMBER: _____ - _____ - _____ - _____
QUANTITY: _____

WIRE ORDER #5
CUSTOM SMARTwire™ PART NUMBER: _____ - _____ - _____ - _____
QUANTITY: _____

Fax 605-665-0501 Salesperson _____

CONTROL MODULES



These modules connect to supply voltage for smooth, seamless operation of your SMARTrailer™ accessories. When output is on, white output wire is connected to 12V; when off, it's grounded.

All modules except LiteAll™ ones have a safety lockout feature. While locked, outputs cannot be turned on using control box buttons. Safety lock is automatically disabled when using the remote. While locked, outputs cannot be turned on from the control box, but latching outputs can be turned off. To unlock, press and hold both box switches for one second.

External box switches are used to pair the ShurLink™ remotes, SMART2™ or SMART3™ to the control box; internal access is NOT required.

ShurLink™ CONTROL MODULES

w/Decal Button Descriptions

LATCHING	
1131658	ON/OFF w/Safety Lockout
MOMENTARY	
1131659	UP/DOWN
1131660	LEFT/RIGHT
1131661	EXTEND/RETRACT
1131662	OPEN/CLOSED

- ◆ Supply Voltage: 11-16V DC
- ◆ Outputs: Latching (2) or Momentary (2)
- ◆ Maximum Current: 10 Amps per Output
- ◆ Control Switches on Module
- ◆ Compatible Remote: ShurLink EZR™ or ShurLink PRO™
- ◆ Automatic Safety Lockout on Control Box Switches*
- ◆ No Safety Lockout for Remote Button Switches

ShurLink™ AVAILABLE APPLICATIONS

LATCHING	
Conveyors P/N 1131658	While output remains on, supplies 12V to customer-specified conveyor control solenoids
Tag Axles P/N 1131658	Can supply 12V continuous signal to customer-specified electric-over-pneumatic solenoids
Pump Motors P/N 1131658	Can supply 12V continuous signal to customer-specified pump motors or control solenoids
MOMENTARY	
Auger Conveyors P/N 1131659 P/N 1131660 P/N 1131661	Stops/starts conveyor movement in applications where preexisting controls require a momentary 12V "on" signal to start conveyor, then a subsequent momentary 12V "off" signal to stop it
Proportional Valves P/N 1131659 P/N 1131660 P/N 1131661 P/N 1131662	Allows for momentary control of proportional valves (for speed control, for example)
Auger Hydraulics P/N 1131659 P/N 1131660 P/N 1131661 P/N 1131662	Allow for momentary control of electric-over-hydraulic auger positioning cylinders

SMART2™ CONTROL MODULES

w/Decal Button Descriptions

LATCHING	
1122550	ON/OFF w/Safety Lockout
MOMENTARY	
1122546	UP/DOWN
1122547	LEFT/RIGHT
1122548	EXTEND/RETRACT
1122551	OPEN/CLOSED
HYBRID*	
1122552	ON-OFF/RUN

*Hybrid module has latching Output A and momentary Output B.

- ◆ Supply Voltage: 11-16V DC
- ◆ Outputs: Latching (2), Momentary (2) or Hybrid (2)
- ◆ Maximum Current: 10 Amps per Output
- ◆ Control Switches on Module
- ◆ Compatible Remote: SMART2™
- ◆ Automatic Safety Lockout on Control Box Switches
- ◆ No Safety Lockout for Remote Button Switches

SMART2™ AVAILABLE APPLICATIONS

LATCHING	
Conveyors P/N 1126893	While output remains on, supplies 12V to customer-specified conveyor control solenoids
Tag Axles P/N 1122550	Can supply 12V continuous signal to customer-specified electric-over-pneumatic solenoids
Pump Motors P/N 1122550	Can supply 12V continuous signal to customer-specified pump motors or control solenoids
MOMENTARY	
Auger Conveyors P/N 1122546 P/N 1122547 P/N 1122548	Stops/starts conveyor movement in applications where preexisting controls require a momentary 12V "on" signal to start conveyor, then a sub-sequent momentary 12V "off" signal to stop it
Proportional Valves P/N 1122546 P/N 1122547 P/N 1122548 P/N 1122551	Allows for momentary control of proportional valves (for speed control, for example)
Auger Hydraulics P/N 1122546 P/N 1122547 P/N 1122548 P/N 1122551	Allow for momentary control of electric-over-hydraulic auger positioning cylinders
HYBRID	
Engine Starters P/N 1122552	Output A is used to enable and kill engine and Output B is used to engage starter while control button is held

SMART3™ CONTROL MODULES

w/Decal Button Descriptions

LATCHING	
1126893	SON/OFF w/Safety Lockout
MOMENTARY	
1126898	UP/DOWN
1126896	LEFT/RIGHT
1126895	EXTEND/RETRACT
1126897	OPEN/CLOSED

- ◆ Supply Voltage: 11-16V DC
- ◆ Outputs: Latching (2) or Momentary (2)
- ◆ Maximum Current: 10 Amps per Output
- ◆ Control Switches on Module
- ◆ Compatible Remote: SMART3™

SMART3™ AVAILABLE APPLICATIONS

LATCHING	
Conveyors P/N 1126893	While output remains on, supplies 12V to customer-specified conveyor control solenoids
Pump Motors P/N 1126893	Can supply 12V continuous signal to customer-specified pump motors or control solenoids
MOMENTARY	
Auger Conveyors P/N 1126898 P/N 1126896 P/N 1126895	Stops/starts conveyor movement in applications where preexisting controls require a momentary 12V "on" signal to start conveyor, then a sub-sequent momentary 12V "off" signal to stop it
Proportional Valves P/N 1126897 P/N 1126898 P/N 1126896 P/N 1126895	Allows for momentary control of proportional valves (for speed control, for example)

LITEALL™ LED WORK LIGHT PACKAGES



Designed for use with our wireless remotes – all new ShurLink EZR™ and ShurLink PRO™ or with your existing SMART2™ and SMART3™. LiteALL™ lets you work into the night with LED high-intensity flood beams on hinged mounting brackets for easy adjustment. Select a complete kit or build a package to fit your specific needs with individual components (see below and on next page).

BASE LIGHT KITS ShurLink™/SMART3™/SMART2™ LiteALL™

w/SMARTwire™ ADAPTER		
1131664	ShurLink™ LiteALL™	2-Light Kit
1127950	SMART3™ LiteALL™	2-Light Kit
1127851	SMART2™ LiteALL™	2-Light Kit
w/o SMARTwire™ ADAPTER		
1131666	ShurLink™ LiteALL™	2-Light Kit
1127593	SMART3™ LiteALL™	2-Light Kit
1127595	SMART2™ LiteALL™	2-Light Kit

NOTE: Includes control module, lights, complete mounting hardware. Does NOT include remote or extension cable.

COMPONENTS FOR ShurLink™/SMART3™/SMART2™

SHURLINK™ SYSTEMS	
1131665	ShurLink™ Control Module w/WeatherPack™
1131576	ShurLink EZR™ Remote
1131575	ShurLink PRO™ Remote w/Cradle/Charging Cable
1706836	ShurLink PRO™ Charging Cable
SMART2™ SYSTEMS	
1127810	SMART2™ Control Module w/WeatherPack™
1122231	SMART2™ Remote w/Cradle
1707314	SMART2™ Charging Cable USB - A-Male to Micro B - 3'
SMART3™ SYSTEMS	
1127598	SMART3™ Control Module w/WeatherPack™
1126867	SMART3™ Remote





LiteALL™ COMPONENTS

High-intensity LED flood beam in hinged bracket swivels to direct light. 13' power cord has Weather-Pack™ connectors. Power: 24 watts. Output: 1600 lumens. IP rating: IP67. Estimated life: 30,000 hours. Also available with molded 2-way bullet connector.

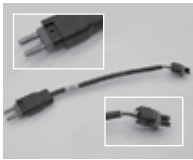
NOTE: Purchase of Mounting Hardware Kit recommended for each light purchased – contains rubber grommet insert and rubber grommet, plus nylon wire clips (6) and self-drilling screws (6).



EXTENSION CABLES

For power connection with Weather-Pack™ connectors. Provides additional flexibility in mounting location of control module. Available in 10' or 20' lengths.

Two-conductor 18-ga. cable offers additional positioning flexibility for LiteALL™ LED flood beams. Weather-Pack™ connectors make for easy installs. Also available with molded 2-way bullet connectors.



SMARTwire™ CONNECTORS

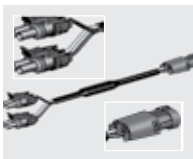
SMARTwire™ Adapters

Easy install into SMARTwire™ systems like 4500 Series HD, Auto-Trap™ and ProTrap®. Lets user supply 12V DC current to LiteALL™ control module with plug-and-play ease. Reduces wiring of connectors and eliminates need to splice into existing truck or trailer wiring. 14-ga. 1' extension. Also available with molded 2-way bullet connector.



SMARTwire™ Dual-Conductor Socket

Provides trailer socket connection for supplying 12V power if none previously exists. Opposite end of 3' conductor socket wire is plug-and-play compatible with SMARTwire™ junction blocks.



OUTPUT HARDWARE

Output Splitters

Accommodates powering 2 lights from 1 channel on LiteALL™ control module. WeatherPack™ connectors create a sealed connection. Every splitter lets you add an additional light. Also available with molded 2-way bullet connectors.



Output Adapter Cable

Lets WeatherPack™ connectors on control module output connect to Legacy LED work light with molded 2-way bullet connectors.



JUNCTION HARDWARE

Junction Block Kit w/Harness Plug

Provides connection to 12V power on pre-existing 4500 systems (already installed on 4500 HD/ProTrap® combo kits). On existing systems, unplug SMARTwire™ dual-conductor socket from 4500 receiver box and insert SMARTwire™ junction block. LiteALL™ will then draw power from block using SMARTwire™ adapter wire w/Weather-Pack™ connectors.



Junction Box

Provides connection to 12V power on pre-existing 3500 systems, non-SMARTwire™ 4500 systems or other non-SMARTwire™ systems (already installed on most 3500/ProTrap® combo kits). Includes 3' 6-ga. wire and 6-ga. x 1/4" ring terminals (4).

COMMON COMPONENTS ShurLink™/SMART2™/SMART3™

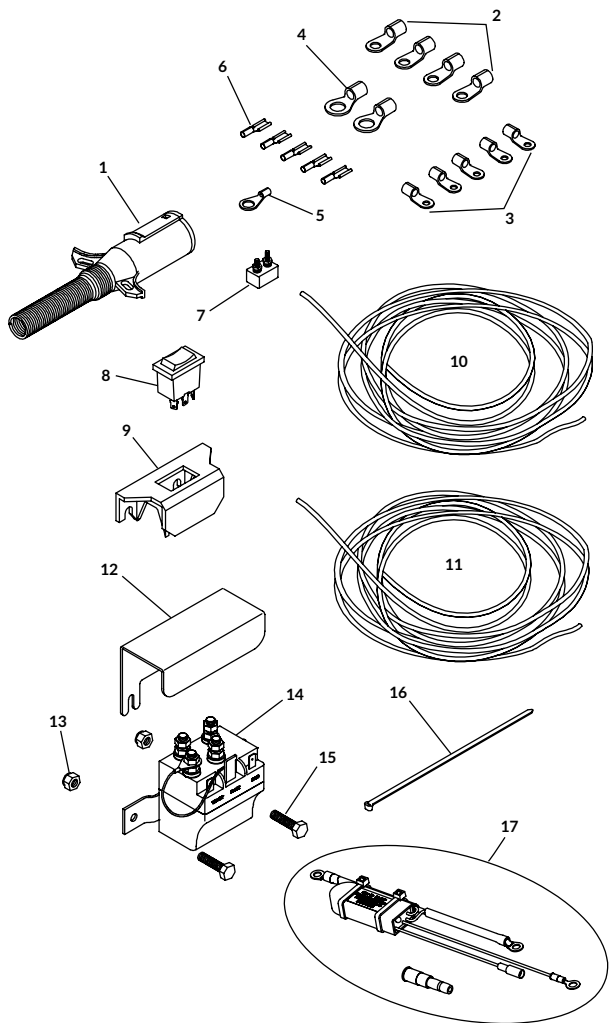
LiteALL™ COMPONENTS	
1122706	LED Work Light w/WeatherPack™ Connector
1120672	Mounting Hardware Kit - 1 Light
EXTENSION CABLES	
1126433	Extension Cable w/WeatherPack™ - 16 Ga. - 10'
1122742	Extension Cable w/WeatherPack™ - 16 Ga. - 20'
1122704	Extension Cable w/WeatherPack™ - 20' - For LiteALL™ Kit
SMARTwire™ CONNECTORS	
1122690	SMARTwire™ Adapter w/WeatherPack™
1120670	SMARTwire™ Dual-Conductor Socket - 6 Ga. x 3'6"
OUTPUT HARDWARE	
1122705	Output Splitter w/WeatherPack™
1127599	Output Adapter Cable
JUNCTION HARDWARE	
1120849	Junction Block Kit w/Harness Plug
1119520	Junction Box



Genuine Shur-Co® replacement parts are proven to fit and function better. For quality performance, go with the name you can trust. Remember that utilizing non-Genuine parts voids your warranty. For your convenience, we also have a comprehensive numerical listing of Shur-Co® parts and prices in Section 8.

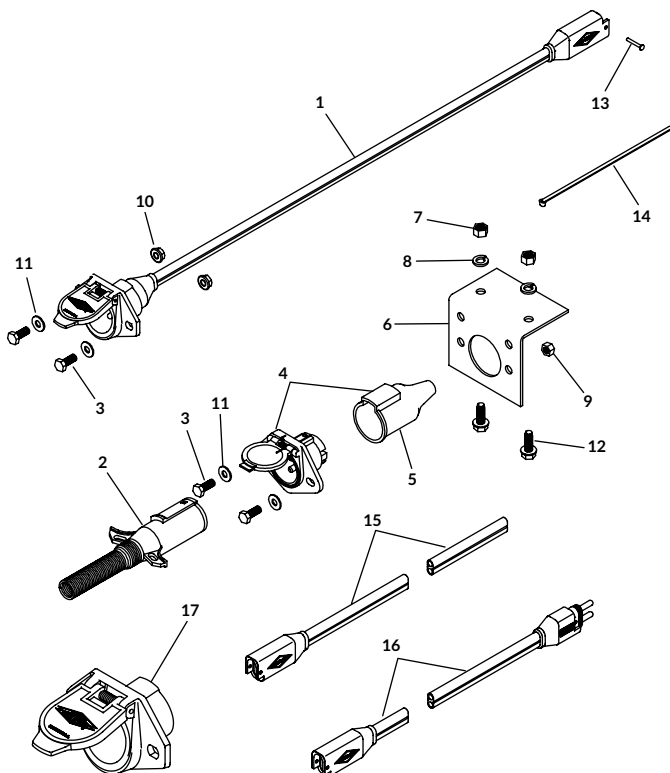
NOTE: All prices in this catalog are subject to change without notice. All components other than standard may require a non-refundable \$100 special processing fee. Call for details.

TARP REPAIR SUPPLIES.....	(see Section 1 - Shur-Lok®/PBR, p. 41)
SHUR-LOK® ELECTRIC	
Cab Wiring Kits.....	37
Dual Conductor Kits	37
Front Arms	38
Front/Rear Returns.....	39
Receiver/Remote - Non Express.....	40
SMART3™ & SMART2™ - Non Express.....	40
4500 SERIES HD ELECTRIC	
Cab Wiring Kits.....	41
Dual Conductor Kits	41
Front Arm Assemblies.....	42-43
Rear Arm Assemblies.....	43
Rear Hinge Assemblies.....	44-45
Rear Returns	46
Receiver/Remote - Non Express.....	47
SMART3™ & SMART2™ - Non Express.....	47
Receiver/Remote - Express Mode.....	48
SMART3™ & SMART2™ - Express Mode.....	48
Pivot Mount Brackets.....	49
Trailer Wiring Kits.....	49
APEX™	
Pivot Assembly.....	50
Front Pivot Arm	50
Rear Arm Standard.....	51
Rear Arm Arm Lift Hinge.....	51
Motor Mount Assembly	52
Roll Tube Adapter	52
Electrics.....	53
SMART3™ & SMART2™	53
AUTOTRAP™	
SMARTwire™ Hopper Door Openers.....	54
SMART3™ & SMART2™	54
MAXXTRAP™	
Crank Arms/Retainers	55
SMARTwire™ Hopper Door Openers.....	55
SMART3™ & SMART2™	55
PROTRAP®	
Rail Mount Assemblies.....	56
SMARTwire™ Hopper Door Openers.....	56
SMART3™ & SMART2™	57
AUTOTRAP™/MAXXTRAP™/PROTRAP®	
Cab Wiring Kits.....	57
SMARTwire™ Electrical.....	58
SMART3™ & SMART2™	58
AUTOTRAP™/PROTRAP® & TRAPADAPT™	
Trailer Mounts & Hopper Drive Shaft & Adapters	59
DRIVEMAXX™	
Assembly.....	60
Electrics.....	61
SMART3™ & SMART2™	61
ELECTRIC GATE AND HOIST	
Assembly.....	62
SMART3™ & SMART2™	62
AUTOGATE™	
Assembly.....	63
SMART3™ & SMART2™	63
ELECTRIC TURNING POINT™ BOW	
Assembly.....	64
SMART3™ & SMART2™	64



SHUR-LOK® ELECTRIC – CAB WIRING KITS

PRICE	ITEM	PART #	DESCRIPTION
WIRELESS OPTION			
		1116928	Cab Wiring Kit - 40 Amp - Wireless - 20' [Includes 1; 7; 10; 2 of 2 & 4; 15 of 16]
		1119643	Cab Wiring Kit - 40 Amp - Wireless - 30' [Includes 1; 7; 10; 2 of 2 & 4; 15 of 16]
ROCKER SWITCH OPTION			
		1116473	Cab Wiring Kit - 40 Amp - Rocker Switch - 20' [Includes 1; 5; 7; 8; 9; 10; 11; 12; 14; 2 of 4, 13 & 15; 4 of 2; 5 of 6; 6 of 3; 15 of 16]
		1128926	Cab Wiring Kit - 80 Amp SMART Circuit Breaker - Rocker - 20' [Includes 1; 5; 7; 8; 9; 10; 11; 12; 14; 17; 2 of 4, 13, 15; 4 of 2; 5 of 6; 6 of 3; 15 of 16]
		1118368	Electrical Part Kit w/Rocker Switch - 40 Amp Modified [Includes 5; 7; 8; 9; 12; 14 2 of 4, 13 & 15; 4 of 2; 5 of 6; 6 of 3]
		1128925	Electrical Parts Kit w/Rocker Switch - 80 Amp SMART Circuit Breaker [Includes 5; 7; 8; 9; 12; 14; 17; 2 of 4, 13, 15; 4 of 2; 5 of 6; 6 of 3]
ELECTRICAL COMPONENTS			
		1120855	Breaker Hardware [Includes 7; 2 of 2 & 4; 15 of 16]
1	1115385		Heavy-Duty Dual-Conductor Plug - Vertical Pin
2	1703245		Ring Terminal - 6 Ga. x #10 Stud - Motor/Breaker
3	1702707		Ring Terminal - 6 Ga. x 1/4" Stud - Motor/Solenoid
4	1703244		Ring Terminal - 6 Ga. x 3/8" Stud - Battery
5	1704153		Ring Terminal - 14 Ga. x 1/4" Stud - Solenoid
6	1703659		Push-On Terminal - 14 Ga. x 1/4" - Switch/Solenoid
7	1704354		40-Amp Modified-Reset Circuit Breaker
8	1116020		Rocker Switch
9	1703661		Rocker Switch Mounting Bracket
10	1119078		Dual-Conductor Wire - 6 Ga. - 20'
	1118495		Dual-Conductor Wire - 6 Ga. - 30'
11	1116482		Electrical Wire - 3 Strand 14 Ga. - 15'
12	1703896		Solenoid Cover
13	1701543		Nylon Lock Hex Nut - 1/4"
14	1703845		Motor-Reversing Solenoid 12V - 2 Pt Mnt - Jumper Wire "Black"
15	1704905		Hex Flange Cap Screw - #10 x 1"
16	1703231		Cable Tie - 8"
17	1126784		80-Amp Smart Circuit Breaker Kit



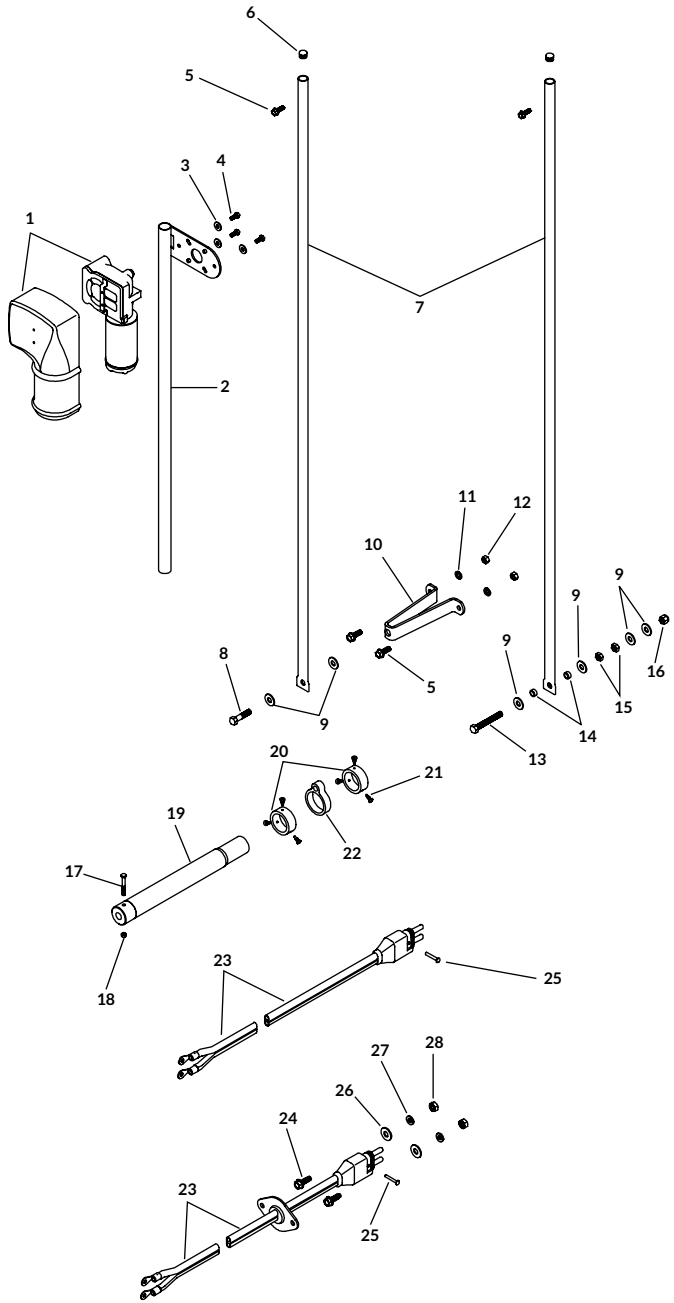
SHUR-LOK® ELECTRIC – DUAL CONDUCTOR KITS

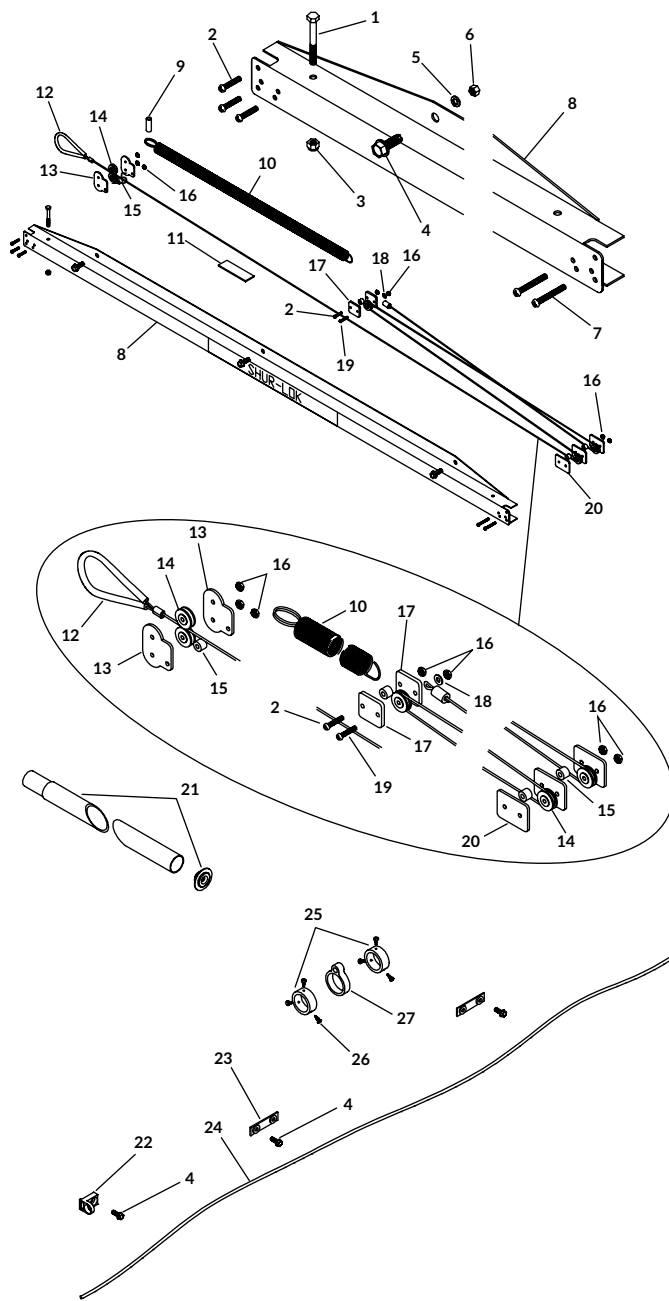
PRICE	ITEM	PART #	DESCRIPTION
		1125580	SMARTwire™ Dual-Connector Socket w/Hardware [Includes 1; 13; 17; 2 of 3, 10 & 11]
		1109016	Two-Pole Connector w/Hardware - Vertical Pin [Includes 2; 4; 6; 14; 2 of 3, 7, 8, 9 & 12]
		1109017	Dual-Conductor Hardware [Includes 2 of 3, 7, 8, 10, 11 & 12]
1	1120670		SMARTwire™ Dual-Conductor Socket - 6 Ga. x 3'6"
	1126944		SMARTwire™ Dual-Conductor Socket - 4 Ga. x 3'6"
2	1115385		Heavy-Duty Dual-Conductor Plug - Vertical Pin
3	1701045		Hex Head Cap Screw - 5/16" x 3/4"
4	1119557		Heavy-Duty Dual-Conductor Socket w/Boot - Vertical Pin
5	1704573		Sealing Boot - Socket Half Dual Conductor
6	1109015		Conductor Plug Mounting Bracket
7	1700407		Hex Nut - 3/8"
8	1700434		Lock Washer - 3/8"
9	1700411		Hex Nut - 5/16"
10	1704946		Top Lock Flange Nut - 5/16"
11	1700427		Flat Washer - 1/4"
12	1700400		Self-Tapping Screw - 3/8" x 1" (non-corrosive coating)
13	1704751		Harness Lock Pin - 1/4" x 7/8"
14	1703231		Cable Tie - 8"
15	1704994		SMARTwire™ - 6 Ga. - Socket - 40'
16	1125597		SMARTwire™ - 6 Ga. - Plug/Socket - 30'
17	1704978		Dual-Conductor Housing - Female

GENUINE SMARTRAILER™ REPLACEMENT PARTS

SHUR-LOK® ELECTRIC – FRONT ARMS

PRICE	ITEM	PART #	DESCRIPTION
		1120854	Wiring Plate Hardware [Includes 2 of 24, 26, 27 & 28]
	1	1704878	Durabuilt™ Motor w/Cover - 3-1/8" Shaft
	2	1110413	Slide Arm
		1115559	Stainless Slide Arm
	3	1700428	Flat Washer - 5/16"
		1201237	Stainless Flat Washer - 5/16"
	4	1701045	Hex Head Cap Screw - 5/16" x 3/4"
		1201269	Stainless Hex Head Cap Screw - 5/16" x 3/4"
	5	1700400	Self-Tapping Screw - Non Corrosive Coating - 3/8" x 1"
	6	1701595	End Plug - 1"
	7	1114954	Swing Arm
		1115558	Stainless Swing Arm
	8	1701042	Hex Head Cap Screw - 1/2" x 3"
	9	1702114	Flat Washer - 1/2"
	10	1100033	Crank Retainer Standoff - 7"
		1115511	Stainless Crank Retainer Standoff - 7"
	11	1700434	Lock Washer - 3/8"
	12	1700407	Hex Nut - 3/8"
	13	1704779	Hex Head Cap Screw - 1/2" x 3"
	14	1100306	Retainer Bushing - 11/16"
	15	1700413	Jam Nut - 1/2"
	16	1702115	Nylon Lock Hex Nut - 1/2"
	17	1703237	Hex Head Cap Screw - 5/16" x 2-1/2"
	18	1702492	Top Lock Hex Nut - 5/16"
	19	1114916	Roll Tube Extension w/Adapter - 17-1/4"
	20	1704352	Rear Arm Retaining Collar
	21	1705198	Self-Drilling Screw - 1/4" x 1"
	22	1114947	Roll Tube Eye
	23	1121367	SMARTwire™ w/Plate - 6 Ga. - 1/4" Terminal - 10'9"
		1704987	SMARTwire™ - 6 Ga. Plug x 1/4" Terminal - 10'9"
	24	1700403	Self-Tapping Screw - 1/4" x 3/4"
	25	1704751	Harness Lock Pin - 1/4" x 7/8"
	26	1700427	Flat Washer - 1/4"
	27	1700436	Lock Washer - 1/4"
	28	1700408	Hex Nut - 1/4"
		1202938	Rubber Grommet - 1-1/2" Insert (not shown)





SHUR-LOK® ELECTRIC – FRONT/REAR RETURNS

PRICE	ITEM	PART #	DESCRIPTION
CABLE RETURN			
		1113025	Heavy-Duty Rear Cable Return Kit [Includes 1; 3; 8; 9; 10; 11; 12; 18; 19; 2 of 7, 13 & 17; 3 of 4, 5, 6 & 20; 4 of 2 & 15; 5 of 14; 7 of 16]
		1120650	Heavy-Duty Front Cable Return Kit [Includes 1; 3; 8; 9; 10; 11; 12; 18; 19; 2 of 7, 13 & 17; 3 of 4, 5, 6 & 20; 4 of 2 & 15; 5 of 14; 7 of 16]
	1	1702672	Hex Head Cap Screw - 1/4" x 2-1/4"
	2	1702654	Machine Screw 1"
	3	1701543	Nylon Lock Hex Nut - 1/4"
	4	1700400	Self-Tapping Screw - Non Corrosive Coating - 3/8" x 1"
	5	1700434	Lock Washer - 3/8"
	6	1700407	Hex Nut - 3/8"
	7	1702656	Machine Screw - 1-1/2"
	8	1114728	Universal Cable Return Housing
	9	1131010	Spacer Washer - 1-9/16"
	10	1702896	Extension Spring - Heavy Duty
	11	1115206	Velcro® Hook- 1" x 4"
	12	1114582	Cable w/Return Strap
	13	1114691	Front Retainer Plate
	14	1703006	Pulley - 1/16" Cable Groove
	15	1111056	Plastic Spacer - 3/8"
	16	1702653	Machine Screw Nut
	17	1112997	Rope Block Retainer Plate
	18	1111054	Flat Washer - #10
	19	1702655	Machine Screw - 1-1/4"
	20	1110913	Rear Retainer Plate
	21	1111808	End Plug/Cable Retainer w/Screw
SHOCK CORD RETURN			
		1114951	Shock Cord Roll Return Kit - 2" [Includes 22; 23; 24; 27; 2 of 4 & 25; 6 of 26]
	22	1703445	Shock Cord Eye Bracket
	23	1114948	Shock Cord Tie-Down Strap
	24	1122332	Shock Cord - 11-1/2"
	25	1704352	Rear Arm Retaining Collar
	26	1705198	Self-Drilling Screw - 1/4" x 1"
	27	1114947	Roll Tube Eye

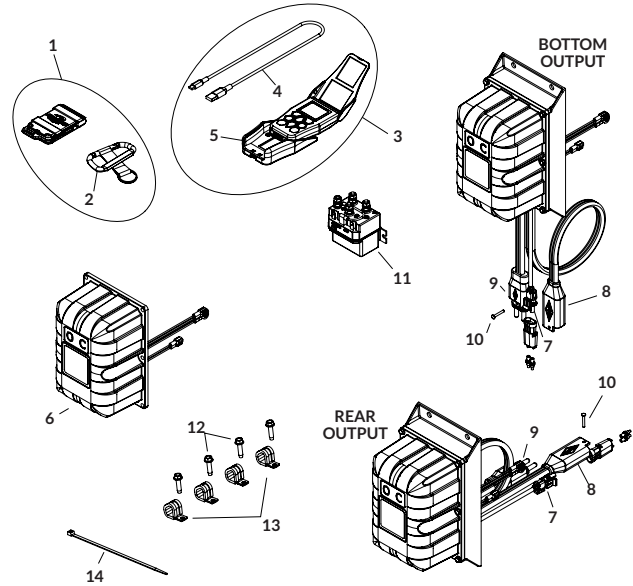
GENUINE SMARTRAILER™ REPLACEMENT PARTS

SHUR-LOK® ELECTRIC – RECEIVER/REMOTE Non Express

PRICE	ITEM	PART #	DESCRIPTION
SHURLINK™ RECIEVERS w/SMARTwire™			
	1132227		ShurLink™ Receiver Conversion Cover - Tarp - Non-Express
	1131616		ShurLink™ Receiver - Tarp - Non-Express - Bottom Output*
	1131610		ShurLink™ Receiver - Tarp - Non-Express - Bottom Output - Stainless*
	1131612		ShurLink™ Receiver - Tarp - Non-Express - Rear Output*
REMOTES			
1	1131576		ShurLink EZR™ Remote
2	1704569		Carabiner Key Strap
3	1131575		ShurLink PRO™ Remote w/Cradle/Charging Cable
4	1706836		ShurLink™ Charging Cable USB - A-Male to C-Male - 3'
5	1131764		ShurLink PRO™ Remote Cradle
RECEIVER COMPONENTS			
	1120906		Wire Retaining Hardware**
6	1131674		ShurLink™ Solenoid Cover - Tarp - Non-Express
7	1121641		Encoder Wire - 18 Ga. - 6'4"
8	1120817		SMARTwire™ - 6 Ga. - Socket x 1/4" Terminal - 6'3"
9	1704705		SMARTwire™ - 6 Ga. - Plug x 1/4" Terminal - 2'4"
10	1704751		Harness Lock Pin - 1/4" x 7/8"
11	1703845		Motor-Reversing Solenoid 12V - 2 Pt Mnt - Jumper Wire "Black"
12	1704338		Self-Tapping Screw - 1/4" x 1"
13	1702108		Wire Clip - 3/4" ID
14	1703231		Cable Tie - 8"
15	1704378		Dielectric Connector Protector (not shown)

*Receivers include encoder wire but will NOT operate in Express Mode.

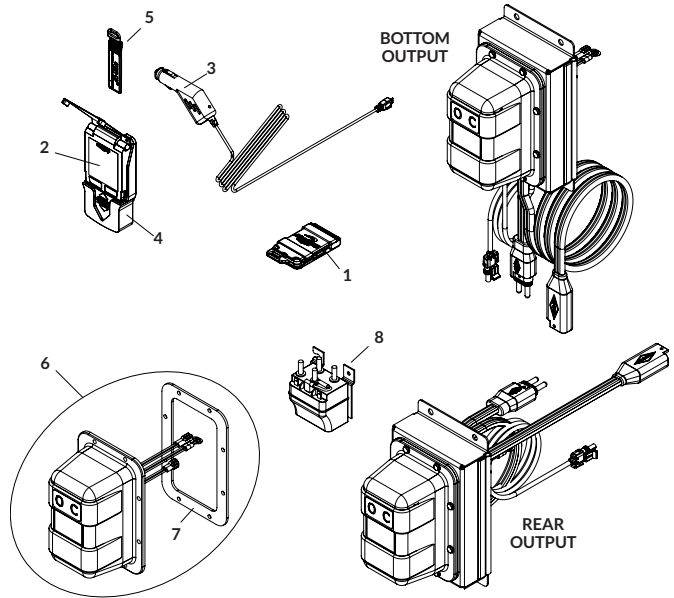
**Includes dielectric connector protector.



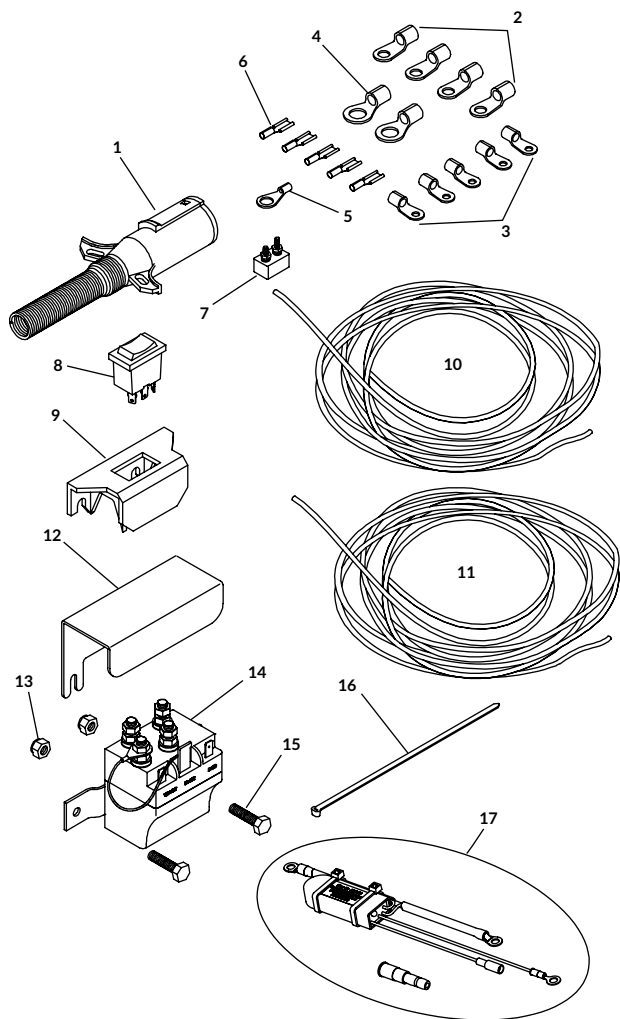
SHUR-LOK® ELECTRIC – SMART3™ & SMART2™ Non Express

PRICE	ITEM	PART #	DESCRIPTION
REPLACEMENT RECEIVERS w/SMARTwire™			
	1126900		SMART3™ Receiver - Tarp - Non-Express - Bottom Output
	1126899		SMART3™ Receiver - Tarp - Non-Express - Rear Output
	1125608		SMART2™ Receiver - Tarp - Non-Express - Bottom Output
	1127073		SMART2™ Receiver - Tarp - Non-Express - Rear Output
REPLACEMENT REMOTES			
1	1126867		SMART3™ Remote
2	1122231		SMART2™ Remote w/Cradle
3	1707314		SMART2™ Charging Cable USB - A-Male to Micro B - 3'
4	1124305		SMART2™ Remote Cradle
REPLACEMENT COMPONENTS			
5	1124817		Lanyard Ring
6	1126881		SMART3™ Solenoid Cover w/Gasket - Tarp - Non-Express
	1127074		SMART2™ Solenoid Cover w/Gasket - Tarp - Non-Express
7	1704309		Solenoid Cover Gasket - 1/8"
	1705791		Solenoid Cover Gasket - 1/4"
8	1704312		Motor-Reversing Solenoid 12V - 3 Pt Mnt - Jumper Wire "Red"

*Receivers include encoder wire but will NOT operate in Express Mode.

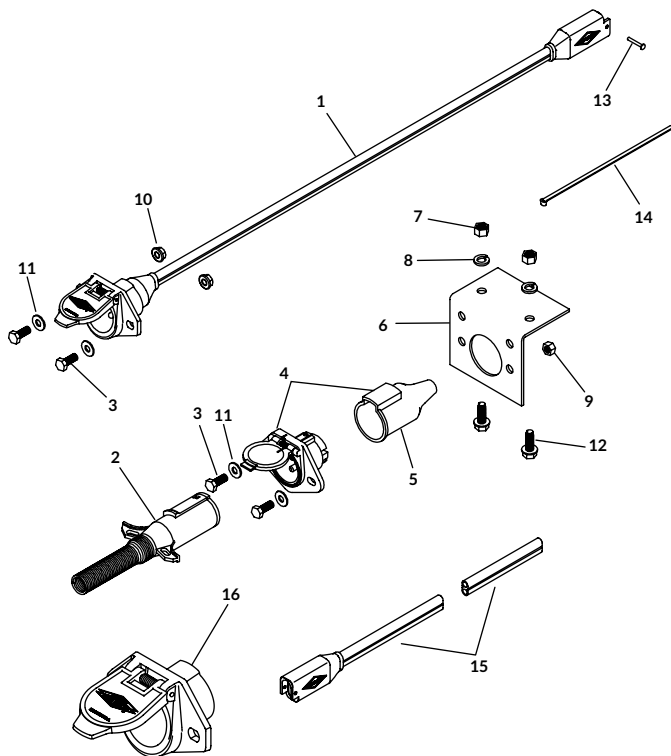


4500 SERIES HD – CAB WIRING KITS



PRICE	ITEM	PART #	DESCRIPTION
WIRELESS OPTION			
	1116928		Cab Wiring Kit - 40 Amp - Wireless - 20' [Includes 1; 7; 10; 2 of 2 & 4; 15 of 16]
	1119643		Cab Wiring Kit - 40 Amp - Wireless - 30' [Includes 1; 7; 10; 2 of 2 & 4; 15 of 16]
	1119644		Cab Wiring Kit - 40 Amp - Wireless - 40' [Includes 1; 7; 10; 2 of 2 & 4; 15 of 16]
ROCKER SWITCH OPTION			
	1127844		Cab Wiring Kit - 50 Amp SMART Circuit Breaker - Rocker Switch - 20' [Includes 1; 5; 7; 8; 9; 10; 11; 12; 14; 17; 2 of 4, 13 & 15; 4 of 2; 5 of 6; 6 of 3; 15 of 16]
	1127845		Cab Wiring Kit - 50 Amp SMART Circuit Breaker - Rocker Switch - 30' [Includes 1; 5; 7; 8; 9; 10; 11; 12; 14; 17; 2 of 4, 13 & 15; 4 of 2; 5 of 6; 6 of 3; 15 of 16]
	1118368		Electrical Part Kit w/Rocker Switch - 40 Amp Modified [Includes 5; 7; 8; 9; 12; 14; 2 of 4, 13 & 15; 4 of 2; 5 of 6; 6 of 3]
ELECTRICAL COMPONENTS			
		1120855	Breaker Hardware [Includes 7; 2 of 2 & 4; 15 of 16]
	1	1115385	Heavy-Duty Dual-Conductor Plug - Vertical Pin
	2	1703245	Ring Terminal - 6 Ga. x #10 Stud - Motor/Breaker
	3	1702707	Ring Terminal - 6 Ga. x 1/4" Stud - Motor/Solenoid
	4	1703244	Ring Terminal - 6 Ga. x 3/8" Stud - Battery
	5	1704153	Ring Terminal - 14 Ga. x 1/4" Stud - Solenoid
	6	1703659	Push-On Terminal - 14 Ga. x 1/4" - Switch/Solenoid
	7	1704354	40-Amp Modified-Reset Circuit Breaker
	8	1116020	Rocker Switch
	9	1703661	Rocker Switch Mounting Bracket
	10	1119078	Dual-Conductor Wire - 6 Ga. - 20'
		1118495	Dual-Conductor Wire - 6 Ga. - 30'
		1119645	Dual-Conductor Wire - 6 Ga. - 40'
		1703822	Electrical Wire - 3 Strand 14 Ga. - 15'
	11	1116482	Solenoid Cover
	12	1703896	Nylon Lock Hex Nut - 1/4"
	13	1701543	Motor-Reversing Solenoid 12V - 2 Pt Mnt - Jumper Wire "Black"
	14	1703845	Hex Flange Cap Screw - #10 x 1"
	15	1700381	Cable Tie - 8"
	16	1703231	50-Amp Smart Circuit Breaker Kit
	17	1126783	50-Amp SMART Circuit Breaker

4500 SERIES HD – DUAL CONDUCTOR KITS

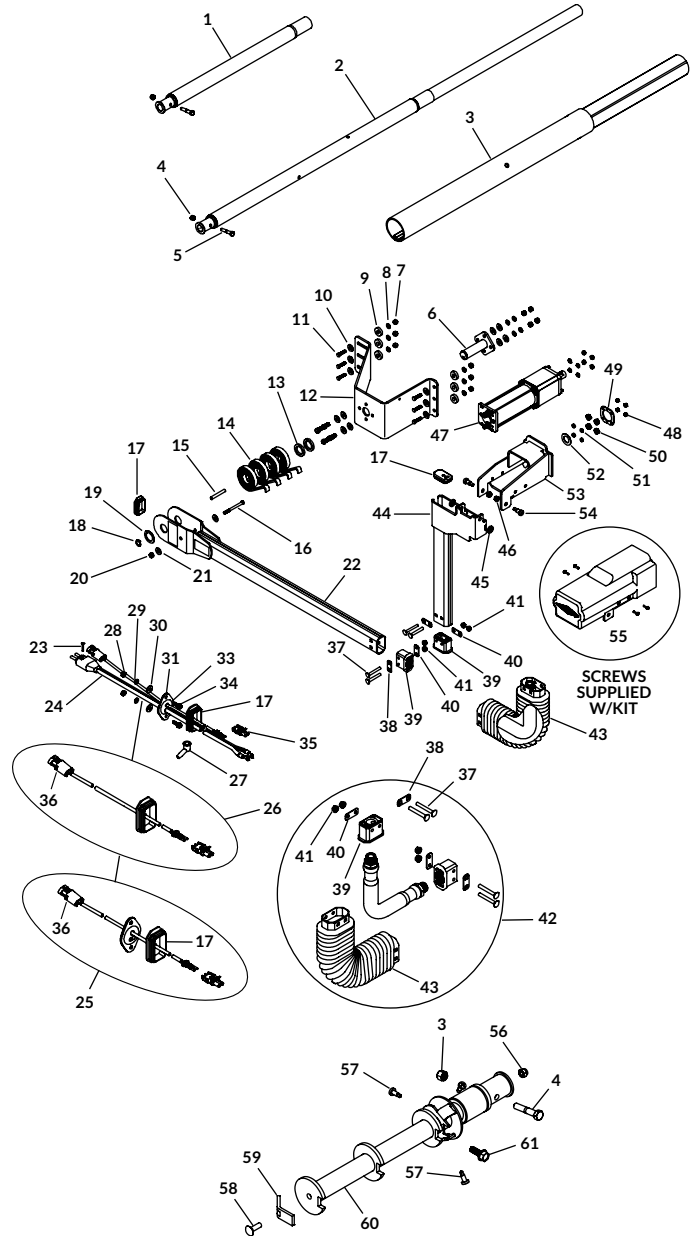


PRICE	ITEM	PART #	DESCRIPTION
		1125580	SMARTwire™ Dual-Connector Socket w/Hardware [Includes 1; 13; 2 of 3, 10 & 11]
		1109016	Two-Pole Connector w/Hardware - Vertical Pin [Includes 2; 4; 6; 14; 2 of 3, 7, 8, 9 & 12]
		1109017	Dual-Conductor Hardware [Includes 2 of 3, 7, 8, 10, 11 & 12]
	1	1120670	SMARTwire™ Dual-Conductor Socket - 6 Ga. x 3'6"
	2	1115385	Heavy-Duty Dual-Conductor Plug - Vertical Pin
	3	1701045	Hex Head Cap Screw - 5/16" x 3/4"
	4	1119557	Heavy-Duty Dual-Conductor Socket w/Boot - Vertical Pin
	5	1704573	Sealing Boot - Socket Half Dual Conductor
	6	1109015	Conductor Plug Mounting Bracket
	7	1700407	Hex Nut - 3/8"
	8	1700434	Lock Washer - 3/8"
	9	1700411	Hex Nut - 5/16"
	10	1704946	Top Lock Flange Nut - 5/16"
	11	1700427	Flat Washer - 1/4"
	12	1700400	Self-Tapping Screw - 3/8" x 1" (non-corrosive coating)
	13	1704751	Harness Lock Pin - 1/4" x 7/8"
	14	1703231	Cable Tie - 8"
	15	1704994	SMARTwire™ - 6 Ga. - Socket - 40'
		1704988	SMARTwire™ - 6 Ga. - Socket - 65'
		1123042	SMARTwire™ - 4 Ga. - Socket - 40'
		1704989	SMARTwire™ - 4 Ga. - Socket - 90'
	16	1704978	Dual-Conductor Housing - Female

GENUINE SMARTTRAILER™ REPLACEMENT PARTS

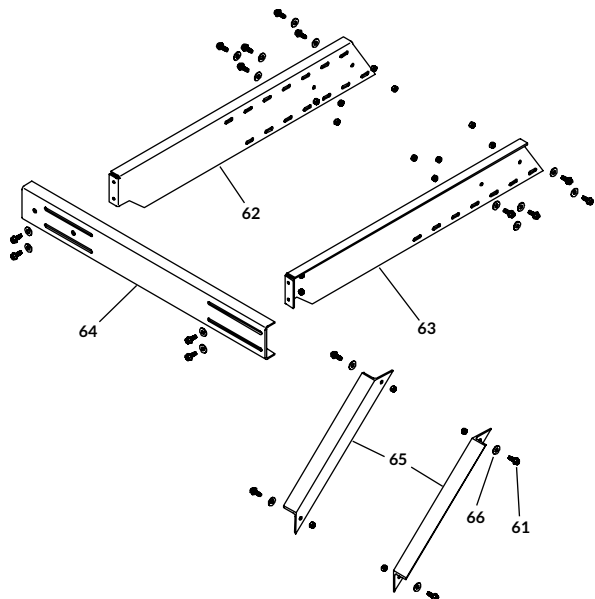
4500 SERIES HD – FRONT ARM ASSEMBLIES

PRICE	ITEM	PART #	DESCRIPTION
		1124094	Front Flex Arm Kit w/Motor - 9-1/4" [Includes 17; 22; 24; 25; 36; 38; 40; 43; 44; 47; 53; 55; 2 of 27, 39, 41 & 45]
		1124095	Front Flex Arm Kit w/Motor - 7-1/4" [Includes 17; 22; 24; 25; 36; 38; 40; 43; 44; 47; 53; 55; 2 of 27, 39, 41 & 45]
		1123928	Front Flex Arm Kit w/o Motor - Grain Trailer [Includes 17; 22; 24; 25; 36; 38; 40; 43; 2 of 27, 37 & 41]
		1125610	Front Flex Arm Kit w/o Motor - End Dump [Includes 17; 22; 24; 25; 36; 38; 40; 43; 2 of 27, 37 & 41]
		1122880	Electric Drive Shaft Kit - 3"
		1121415	SMARTwire™ Assembly w/Plate - 6 Ga. - Plug x 1/4" Terminal x 10'9" [Includes 24; 25]
		1125612	SMARTwire™ Assembly - 6 Ga. - Plug x 1/4" Terminal x 10'9" [Includes 17; 24; 26]
		1120977	Motor Mount Hardware [Includes 4; 5; 49; 52; 4 of 48, 50 & 51]
		1121702	Flex Arm Joint Hardware [Includes 38; 40; 2 of 37 & 41]
		1116926	Spring Support Hardware [Includes 15; 16; 18; 19; 20; 2 of 13 & 21]
		1121579	Pivot Bracket Hardware - 6" Vertical [Includes 6 of 9; 10 of 7, 8 & 11; 14 of 10]
		1117007	Pivot Bracket Hardware - End Dump [Includes 4 of 11 & 61; 8 of 7 & 8; 12 of 10]
1		1120697	Roll Tube Extension w/Drive Shaft - 34.43"
		1120698	Roll Tube Extension w/Drive Shaft - 45.37"
2		1120699	Roll Tube Extension w/Drive Shaft - End Dump
3		1124901	Roll Tube Extension - 3" x 45"
4		1701580	Nylon Lock Nut - 3/8"
5		1704264	Hex Head Cap Screw - 3/8" x 2"
6		1116920	Pivot Pin - 4 Spring
7		1700407	Hex Nut - 3/8"
8		1700434	Lock Washer - 3/8"
9		1120291	Spacer Washer - 1/4" x 1 OD x .406
10		1700429	Flat Washer - 3/8"
11		1702891	Hex Head Cap Screw - 3/8" x 1-1/4"
12		1121582	Pivot Mount Bracket - 6" x 7-1/4" Standoff
		1121578	Pivot Mount Bracket - 6" x 9-1/4" Standoff
13		1118318	Spacer Washer - 1/4" x 1.81 OD x 1.28"
14		1111027	Spiral Torsion Spring
15		1117033	Spacer Tube - .35" x 2-5/8"
16		1201022	Hex Head Cap Screw - 5/16" x 3-1/2"
17		1704893	Cap Plug w/Hole
18		1702890	Flat Washer - 1-1/4" x 1-7/8"
19		1702888	Retaining Ring - 1-1/4"
20		1700419	Nylon Lock Hex Nut - 3/8"
21		1700428	Flat Washer - 5/16"
22		1121617	Lower Flex Arm w/Warning Decals - Front
23		1704751	Harness Lock Pin - 1/4" x 7/8"
24		1704987	SMARTwire™ - 6 Ga. - Plug x 1/4" Terminal x 10'9"
25		1121429	Encoder Wire w/Plate - 18 Ga. - 10'6"
26		1121998	Encoder Wire - 18 Ga. - 10'6"
27		1704330	Rubber Insulating Boot
28		1700408	Hex Nut - 1/4"
29		1700436	Lock Washer - 1/4"
30		1700427	Flat Washer - 1/4"
31		1121432	Wiring Plate
32			
33		1704828	Wiring Plate Gasket
34		1700403	Self-Tapping Screw - 1/4" x 3/4"
35		1704799	Weatherpack - Cavity Plug
36		1704798	Weatherpack - Tower
37		1701455	Carriage Bolt - 5/16" x 2-1/2" - GR5
38		1121414	Bellow Plate - Square Holes
39		1704891	End Fitting
40		1121413	Bellow Plate - Round Holes
41		1704931	Flanged Nylon Lock Nut - 5/16"
42		1125154	Replacement Flex Arm Joint [Includes Flex Hose; 43; 2 of 38, 39 & 40; 4 of 37 & 41]
43		1704775	Arm Bellow
44		1121289	Upper Flex Arm - Motor
45		1120677	Upper Arm Spacer
46		1701283	Top Lock Flange Nut - 3/8"
47		1120967	4500 Series Motor
48		1701543	Nylon Lock Hex Nut - 1/4"
49		1128243	Motor Mount Bearing Retainer
50		1704736	Radial Ball Bearing - 1/4" x 3/4"
51		1120680	Motor Mount Bearing Spacer
52		1120679	Motor Spacer



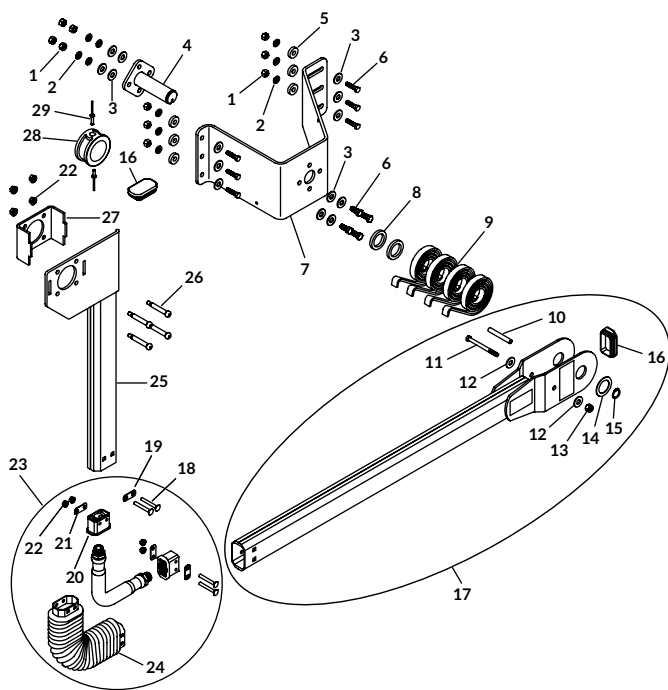
Continued on next page

4500 SERIES HD – FRONT ARM ASSEMBLIES Continued



PRICE	ITEM	PART #	DESCRIPTION
	53	1120776	4500 Series HD Motor Mount - 7-1/4"
		1120662	4500 Series HD Motor Mount - 9-1/4"
	54	1704778	Shoulder Bolt - 3/8" x 1/2"
	55	1121659	Motor Cover Kit - Black
		1128340	Motor Cover Kit - Chrome
	56	1704297	Nylon Lock Nut - 5/16"
	57	1705198	Self-Drilling Screw - 1/4" x 1"
	58	1704237	Carriage Bolt - 5/16" x 1" - GR5
	59	1118194	Cartridge Clamp
	60	1122264	Drive Shaft - 4500 w/3" Roll Tube
	61	1700400	Self-Tapping Screw - Non Corrosive Coating - 3/8" x 1"
FRONT MOUNT KIT*			
		1113002	Front Mount Kit - Sloped [Includes 61; 62; 63; 2 of 64; 16 of 10 & 65; 20 of 60]
	62	1113306	Universal Extension Bracket - Passenger Side
	63	1113307	Universal Extension Bracket - Driver Side
	64	1112178	Front Mounting Bracket - Sloped
	65	1112310	Extended Extension Support Bracket
	66	1700418	Centerlock Hex Nut - 3/8"

*For sloped trailers in conjunction with vertical mount bracket (P/N 1116919) to help mount pivot brackets on a vertical service. Typically used on end dumps.



4500 SERIES HD – REAR ARM ASSEMBLIES

PRICE	ITEM	PART #	DESCRIPTION
		1123929	Rear Flex Arm Kit [Includes 17; 24; 25; 27; 28; 2 of 16, 19 & 21; 4 of 18 & 26; 8 of 22]
		1129457	Rear Flex Arm Kit - 3" [Includes 17; 24; 25; 27; 28; 2 of 16, 19 & 21; 4 of 18 & 26; 8 of 22]
	1121702		Flex Arm Joint Hardware [Includes 19; 21; 2 of 18 & 22]
	1116926		Spring Support Hardware [Includes 10; 11; 13; 14; 15; 2 of 8 & 12]
	1121579		Pivot Bracket Hardware - 6" Vertical [Includes 10 of 1, 2 & 6; 6 of 5; 14 of 3]
	1121723		Exposed Spline/Bearing Hardware [Includes 26; 27; 2 of 16, 19, 20, 21, 22 & 28; 4 of 18 & 25; 8 of 22]
		1127149	Rear Arm Collar Kit - 2" [Includes 28; 2 of 29]
		1127150	Rear Arm Collar Kit - 3" [Includes 28; 2 of 29]
	1	1700407	Hex Nut - 3/8"
	2	1700434	Lock Washer - 3/8"
	3	1700429	Flat Washer - 3/8"
	4	1116920	Pivot Pin - 4 Spring
	5	1120291	Spacer Washer - 1/4" x 1 OD x .406
	6	1702891	Hex Head Cap Screw - 3/8" x 1-1/4"
	7	1121582	Pivot Mount Bracket - 6" x 7-1/4" Standoff
		1121578	Pivot Mount Bracket - 6" x 9-1/4" Standoff
	8	1118318	Spacer Washer - 1/4" x 1.81 OD x 1.28"
	9	1111027	Spiral Torsion Spring
	10	1117033	Spacer Tube - .35" x 2-5/8"
	11	1201022	Hex Head Cap Screw - 5/16" x 3-1/2"
	12	1700428	Flat Washer - 5/16"
	13	1700419	Nylon Lock Hex Nut - 3/8"
	14	1702890	Flat Washer - 1-1/4" x 1-7/8"
	15	1702888	Retaining Ring - 1-1/4"
	16	1704892	Cap Plug
	17	1121294	Lower Flex Arm w/Warning Decals - Rear
	18	1701455	Carriage Bolt - 5/16" x 2-1/2" - GR5
	19	1121414	Bellow Plate - Square Holes
	20	1704891	End Fitting
	21	1121413	Bellow Plate - Round Holes
	22	1704931	Flanged Nylon Lock Nut - 5/16"
	23	1125154	Replacement Flex Arm Joint - 4500 HD [Includes Flex Hose; 24; 2 of 19, 20 & 21; 4 of 18]
	24	1704775	Arm Bellow
	25	1121293	Upper Flex Arm - Bearing
		1124796	Upper Flex Arm - Bearing* - 3"
	26	1704943	Shoulder Bolt - 3/8" x 2" Thread x 5/16" x 1/2"
	27	1121430	Bearing Mount Box
		1123248	Bearing Mount Box* - 3"
	28	1704942	Rear Arm Bearing Ring
		1705160	Rear Arm Bearing Ring* - 3"
	29	1706103	Blind Rivet** - 3/16"

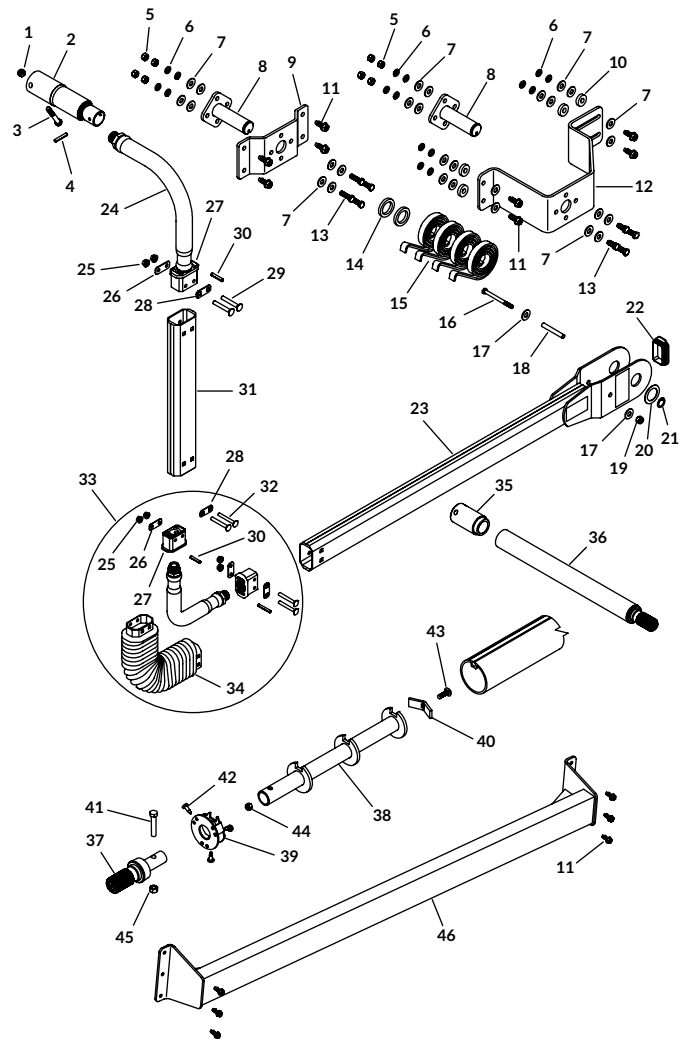
*Used with 3" roll tubes.

**Used with both 2" and 3" roll tubes.

GENUINE SMARTRAILER™ REPLACEMENT PARTS

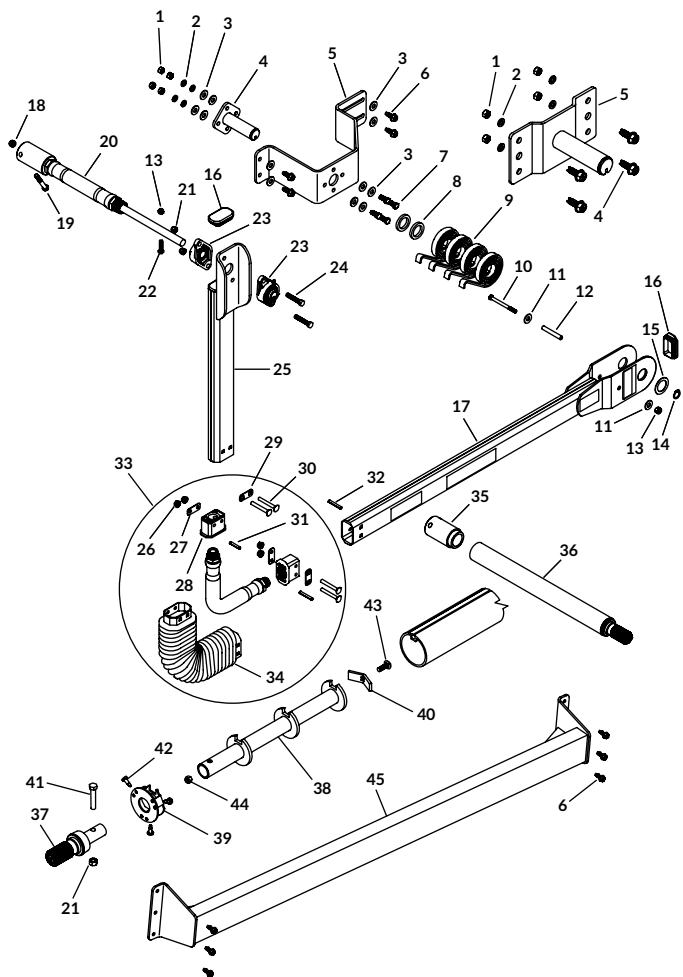
4500 SERIES HD – REAR SIDE HINGE ASSEMBLIES

PRICE	ITEM	PART #	DESCRIPTION
			Rear Flex Arm Kit - Side Hinge (No Manual Override)* [Includes 2; 8; 11; 16; 18; 19; 20; 21; 22; 24; 31; 34; 2 of 14, 17, 27 & 30; 4 of 10 & 15; 12 of 11; 20 of 5, 6 & 13; 36 of 7]
		1130902	Rear Flex Arm Kit - Side Hinge (No Manual Override)* [Includes 2; 8; 11; 16; 18; 19; 20; 21; 22; 24; 31; 34; 2 of 14, 17, 27 & 30; 4 of 10 & 15; 12 of 11; 20 of 5, 6 & 13; 36 of 7]
		1117022	Manual Override Extension Kit [Includes 35; 36]
		1122879	Manual Crank Kit - 3" [Includes 11; 37; 38; 39; 40; 41; 43; 44; 45; 3 of 42]
		1121702	Flex Arm Joint Hardware [Includes 26; 28; 2 of 25 & 32]
		1121737	Rear Flex Arm Hardware - Side Hinge [Includes 1; 3; 4; 26; 28; 2 of 25, 29 & 30]
		1116926	Spring Support Hardware [Includes 16; 18; 19; 20; 21; 2 of 14 & 17]
		1116946	Pivot Bracket Hardware - 4" Vertical [Includes 4 of 10; 8 of 5, 6 & 13; 12 of 7]
	1	1700418	Centerlock Hex Nut - 3/8"
	2	1117777	Roll Tube Bearing Pack
	3	1702573	Hex Head Cap Screw - 3/8" x 2-1/2"
	4	1700445	Spring Pin - 1/4" x 1-1/2"
	5	1700407	Hex Nut - 3/8"
	6	1700434	Lock Washer - 3/8"
	7	1700429	Flat Washer - 3/8"
	8	1116920	Pivot Pin - 4 Spring
	9	1117767	Pivot Bracket
	10	1120291	Spacer Washer - 1/4" x 1" OD x .406"
	11	1700400	Self-Tapping Screw - Non Corrosive Coating - 3/8" x 1"
	12	1116919	Pivot Mount Bracket - 4" x 7-1/4" Standoff
		1117031	Pivot Mount Bracket - 4" x 9-1/4" Standoff
	13	1702891	Hex Head Cap Screw - 3/8" x 1-1/4"
	14	1118318	Spacer Washer - 1/4" x 1.81" OD x 1.28"
	15	1111027	Spiral Torsion Spring
	16	1201022	Hex Head Cap Screw - 5/16" x 3-1/2"
	17	1700428	Flat Washer - 5/16"
	18	1117033	Spacer Tube - .35" x 2-5/8"
	19	1700419	Nylon Lock Hex Nut - 5/16"
	20	1702890	Flat Washer - 1-1/4"
	21	1702888	Retaining Ring - 1-1/4"
	22	1704892	Cap Plug
	23	1121294	Lower Flex Arm w/Warning Decals - Rear
	24	1121680	Upper Flex Arm Joint - Side Hinge
	25	1704931	Flanged Nylon Lock Nut - 5/16"
	26	1121413	Bellow Plate - Round Holes
	27	1704891	End Fitting
	28	1121414	Bellow Plate - Square Holes
	29	1704971	Carriage Bolt - 5/16" x 2-1/4" - GR5
	30	1704966	Spring Pin - 1/4" x 1-3/8"
	31	1121738	Upper Flex Arm - Side Hinge
	32	1701455	Carriage Bolt - 5/16" x 2-1/2" - GR5
	33	1128831	Replacement Flex Arm Joint - Aluminum [Includes Flex Hose; 34; 2 of 26, 27, 28 & 30; 4 of 25 & 32]
	34	1704775	Arm Bellow
	35	1117020	Manual Override Spline Connector
	36	1117023	Manual Override Spline Assembly
	37	1121111	Manual Crank Spline - 3"
	38	1121039	Rear Cartridge
	39	1121040	Roll Tube End Cap - Rear
	40	1118194	Cartridge Clamp
	41	1704264	Hex Head Cap Screw - 3/8" x 2"
	42	1705198	Self-Drilling Screw - 1/4" x 1"
	43	1704237	Carriage Bolt - 5/16" x 1" - GR5
	44	1704297	Nylon Lock Nut - 5/16"
	45	1701580	Nylon Lock Nut - 3/8"
	46		Beam Bracket - Live Bottom Trailers



*Does NOT include manual override.

4500 SERIES HD – REAR TOP HINGE ASSEMBLIES



PRICE	ITEM	PART #	DESCRIPTION
		1126477	Rear Flex Arm Kit - Top Hinge* [Includes Flex Hose; 4; 10; 12; 14; 15; 17; 18; 19; 20; 22; 25; 31; 32; 34; 2 of 8; 13; 16; 21; 23; 24; 27; 28 & 29; 4 of 9; 26 & 30; 8 of 1, 2 & 7; 12 of 3]
		1117022	Manual Override Extension Kit [Includes 35; 36]
		1122879	Manual Crank Kit - 3" [Includes 11; 21; 37; 38; 39; 40; 41; 43; 44; 3 of 42]
		1121702	Flex Arm Joint Hardware [Includes 27; 29; 2 of 26 & 30]
		1116926	Spring Support Hardware [Includes 10; 12; 13; 14; 15; 2 of 8 & 11]
		1117007	Pivot Bracket Hardware - End Dump [Includes 4 of 7; 8 of 1 & 2; 12 of 3]
		1116946	Pivot Bracket Hardware - 4" Vertical [Includes 4 of 7; 8 of 1 & 2; 12 of 3]
		1121736	Extension Hardware - Gate Flex™ [Includes 13; 18; 19; 22; 28; 32; 2 of 16, 21, 23 & 24]
		1121647	HD Flex Joint Hardware [Includes 2 of 27 & 29; 4 of 26 & 30]
	1	1700407	Hex Nut - 3/8"
	2	1700434	Lock Washer - 3/8"
	3	1700429	Flat Washer - 3/8"
	4	1116920	Pivot Pin - 4 Spring
	5	1116919	Pivot Mounting Bracket - 7-1/4" Standoff
		1117031	Pivot Mount Bracket - 4" x 9-1/4" Standoff
		1116994	Pivot Bracket - Sloped - Gate Flex™**
	6	1700400	Self-Tapping Screw - Non Corrosive Coating - 3/8" x 1"
	7	1702891	Hex Head Cap Screw - 3/8" x 1-1/4"
	8	1118318	Spacer Washer - 1/4" x 1.81" OD x 1.28"
	9	1111027	Spiral Torsion Spring
	10	1201022	Hex Head Cap Screw - 5/16" x 3-1/2"
	11	1700428	Flat Washer - 5/16"
	12	1117033	Spacer Tube - .35" x 2-3/8"
	13	1700419	Nylon Lock Hex Nut - 5/16"
	14	1702888	External Retaining Ring - 1-1/4"
	15	1702890	Flat Washer - 1-1/4"
	16	1704892	Cap Plug
	17	1121294	Lower Flex Arm w/Warning Decals - Rear
		1121999	Lower Arm Assembly
	18	1700418	Centerlock Hex Nut - 3/8"
	19	1702573	Hex Head Cap Screw - 3/8" x 2-1/2"
	20	1116990	Gate Flex™
		1118534	Gate Flex™ - Long***
	21	1701580	Nylon Lock Hex Nut - 3/8"
	22	1703487	Hex Head Cap Screw - 5/16" x 1-1/2"
	23	1704703	Flange Bearing - 20mm - 2 Bolt
	24	1704264	Hex Head Cap Screw - 3/8" x 2"
	25	1121649	Upper Flex Arm - Gate Flex™
	26	1704931	Flanged Nylon Lock Nut - 5/16"
	27	1121413	Bellow Plate - Round Holes
	28	1704891	End Fitting
	29	1121414	Bellow Plate - Square Holes
	30	1701455	Carriage Bolt - 5/16" x 2-1/2"
	31	1704966	Spring Pin - 1/4" x 1-3/8"
	32	1701360	Spring Pin - 1/4" x 1-3/4"
	33	1128831	Replacement Flex Arm Joint - Aluminum [Includes Flex Hose; 34; 2 of 27, 28, 29 & 31; 4 of 26 & 30]
	34	1704775	Arm Bellow
	35	1117020	Manual Override Spline Connector
	36	1117023	Manual Override Spline Assembly
	37	1121111	Manual Crank Spline - 3"
	38	1121039	Rear Cartridge
	39	1121040	Roll Tube End Cap - Rear
	40	1118194	Cartridge Clamp
	41	1704264	Hex Head Cap Screw - 3/8" x 2"
	42	1705198	Self-Drilling Screw - 1/4" x 1"
	43	1704237	Carriage Bolt - 5/16" x 1" - GR5
	44	1704297	Nylon Lock Nut - 5/16"
	45		Beam Bracket - Live Bottom Trailers

*Does NOT include manual override.

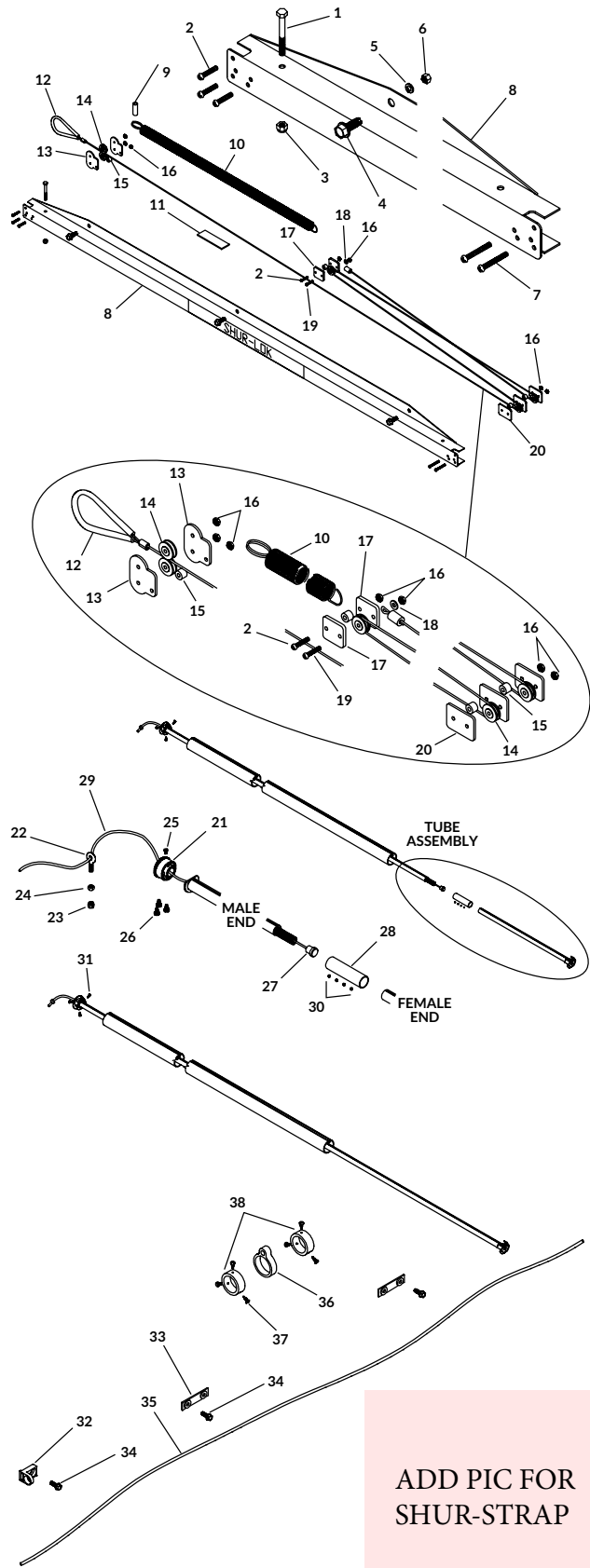
**Gate Flex™ pivot bracket P/N 1116994 is used in conjunction with live-bottom beam bracket. Typically used on trailers with knife gates.

***For use with deep wings or brackets.

GENUINE SMARTRAILER™ REPLACEMENT PARTS

4500 SERIES HD – REAR RETURNS

PRICE	ITEM	PART #	DESCRIPTION
			REAR CABLE RETURN
	1113025		Rear Cable Return Kit - Heavy Duty [Includes 1; 3; 8; 9; 10; 11; 12; 18; 19; 2 of 7, 13 & 17; 3 of 4, 5, 6 & 20; 4 of 2 & 15; 5 of 14; 7 of 16]
			Rear Cable Return Kit* - Heavy Duty - 3" [Includes 1; 3; 8; 9; 10; 11; 12; 18; 19; 2 of 7, 13 & 17; 3 of 4, 5, 6 & 20; 4 of 2 & 15; 5 of 14; 7 of 16]
	1111469		Cable Return Mounting Hardware [Includes 3 of 4, 5 & 6]
	1	1702672	Hex Head Cap Screw - 1/4" x 2-1/4"
	2	1702654	Machine Screw - 1"
	3	1701543	Nylon Lock Hex Nut - 1/4"
	4	1700400	Self-Tapping Screw - Non Corrosive Coating - 3/8" x 1"
	5	1700434	Lock Washer - 3/8"
	6	1700407	Hex Nut - 3/8"
	7	1702656	Machine Screw - 1-1/2"
	8	1114728	Universal Cable Return Housing
	9	1131010	Spacer Washer - 1-5/8"
	10	1702896	Extension Spring - Heavy Duty
	11	1115206	Velcro® Hook - 1" x 4"
	12	1114582	Cable w/Return Strap
		1124870	Cable w/Return Strap* - 3"
	13	1114691	Front Retainer Plate
	14	1703006	Pulley - 1/16" Cable Groove
	15	1111056	Plastic Spacer - 3/8" Thick
	16	1702653	Machine Screw Nut
	17	1112997	Rope Block Retainer Plate
	18	1111054	Flat Washer - #10
	19	1702655	Machine Screw - 1-1/4"
	20	1110913	Rear Retainer Plate
			REAR SHUR-RETURN™
	1125119		Shur-Return™ Kit - Heavy Duty [Includes Tube Assembly; 21; 22; 23; 24; 25; 5 of 26]
	1125121		2-Piece Shur-Return™ Kit - Heavy Duty [Includes Tube Assembly; 21; 22; 23; 24; 25; 28; 4 of 30; 5 of 26]
	1125123		Shur-Return™ Kit* - Heavy Duty - 3" [Includes Tube Assembly; 21; 22; 23; 24; 25; 3 of 31; 5 of 26]
	1125125		2-Piece Shur-Return™ Kit*** - Heavy Duty - 3" [Includes Tube Assembly; 21; 22; 23; 24; 25; 28; 3 of 31; 4 of 30; 5 of 26]
	1107128		Shur-Return™ Hardware [Includes 21; 22; 23; 24; 25; 5 of 26]
	1124881		Shur-Return™ Hardware* - 3" [Includes 21; 22; 23; 24; 25; 3 of 31; 5 of 26]
	21	1100138	Nylon End Plug
	22	1700717	Eyebolt Anchor - 5/16"
	23	1700419	Centerlock Hex Nut - 3/8"
	24	1700411	Hex Nut - 5/16"
	25	1704743	Self-Drilling Screw - #10 x 1/2"
	26	1700736	Self-Tapping Screw - 1/4" x 1/2"
	27	1100827	Spring Retainer Plug
	28	1107879	Connector Sleeve
	29	1100826	Shur-Return™ Rope***
	30	1701423	Hex Socket Set Screw - #10 x 3/16"
	31	1705198	Self-Drilling Screw - 1/4" x 1"
			SHOCK CORD RETURN
	1114951		Shock Cord Roll Return Kit [Includes 32; 33; 35; 36; 2 of 34 & 38; 6 of 37]
	1125583		Shock Cord Roll Return Kit* - 3" [Includes 32; 33; 35; 36; 2 of 34 & 38; 6 of 37]
	32	1703445	Shock Cord Eye Bracket
	33	1114948	Shock Cord Tie-Down Strap
	34	1700400	Self-Tapping Screw - Non Corrosive Coating - 3/8" x 1"
	35	1122332	Shock Cord - 11-1/2"
	36	1114947	Roll Tube Eye
		1705552	Roll Tube Eye* - 3"
	37	1705198	Self-Drilling Screw - 1/4" x 1"
	38	1704352	Rear Arm Retaining Collar
		1122256	Rear Arm Retaining Collar* - 3"
			SHUR-STRAP™
	1127295		Shur-Strap™ Return Kit**
	1127491		Shur-Strap™ Return Kit - 3" Roll Tube***
	1127286		Shur-Strap™ Return Assembly**
	1127296		Shur-Strap™ Return Hardware - 2"
	1127297		Shur-Strap™ Return Hardware - 3"***
	1128566		Replacement Webbing w/Connector Link

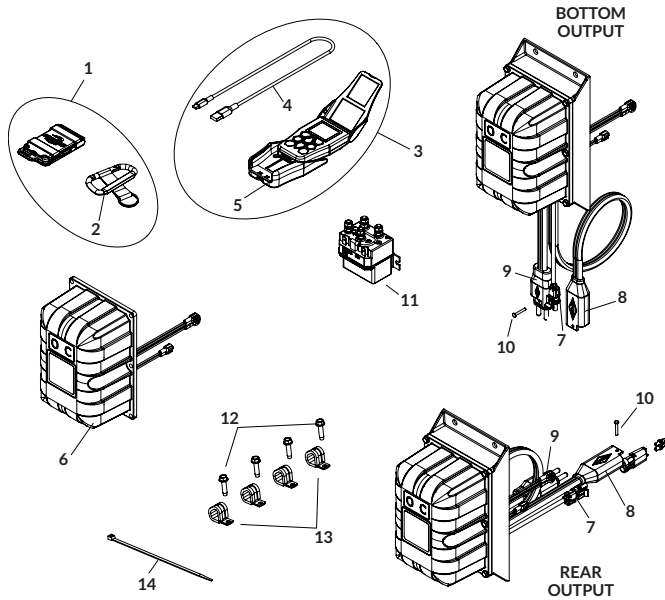


*Used with 3" roll tubes.

**Additional overlength shipping charges apply.

***Shur-Return™ rope does NOT stretch; see stretch cord on next page.

4500 SERIES HD – RECEIVER/REMOTE Non Express



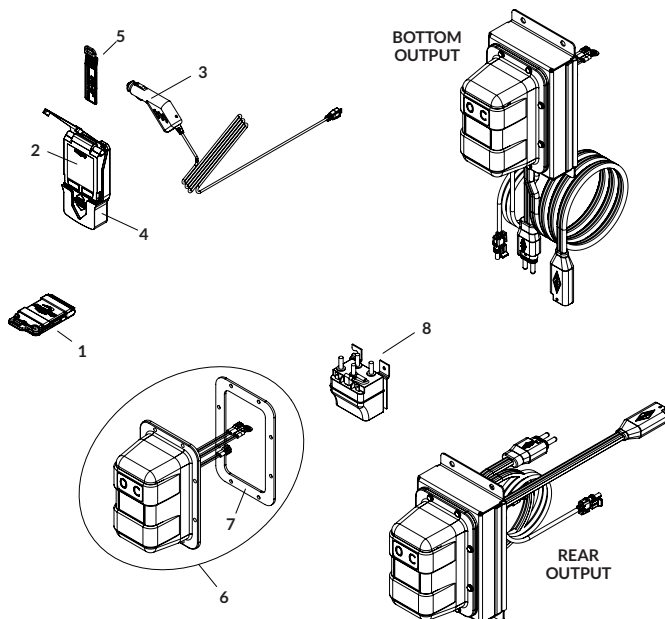
PRICE	ITEM	PART #	DESCRIPTION
			SHURLINK™ w/SMARTwire™
		1132227	ShurLink™ Receiver Conversion Cover - Tarp - Non-Express
		1131586	ShurLink™ Receiver - Tarp - Non-Express - Bottom Output* **
		1131581	ShurLink™ Receiver - Tarp - Non-Express - Rear Output* **
			REMOTES
	1	1131576	ShurLink EZR™ Remote
	2	1704569	Carabiner Key Strap
	3	1131575	ShurLink PRO™ Remote w/Cradle/Charging Cable
	4	1706836	ShurLink™ Charging Cable USB - A-Male to C-Male - 3'
	5	1131764	ShurLink PRO™ Remote Cradle
			RECEIVER COMPONENTS
		1120906	Wire Retaining Hardware*** [Includes 1 of 15; 4 of 12 & 13]
	6	1131674	ShurLink™ Solenoid Cover - Tarp - Non-Express
	7	1121641	Encoder Wire - 18 Ga. - 6'4"
	8	1120817	SMARTwire™ - 6 Ga. - Socket x 1/4" Terminal - 6'3"
	9	1704705	SMARTwire™ - 6 Ga. - Plug x 1/4" Terminal - 2'4"
	10	1704751	Harness Lock Pin - 1/4" x 7/8"
	11	1703845	Motor-Reversing Solenoid 12V - 2 Pt Mnt - Jumper Wire "Black"
	12	1704338	Self-Tapping Screw - 1/4" x 1"
	13	1702108	Wire Clip - 3/4" ID
	14	1703231	Cable Tie - 8"
	15	1704378	Dielectric Connector Protector (not shown)

*Receivers marked "Bottom Output" have SMARTwire™ routed through bottom of receiver. Those marked "Rear Output" have SMARTwire™ routed through back of receiver, which is then routed through face of trailer.

**Receivers include encoder wire but will NOT operate in Express Mode.

***Includes dielectric connector protector.

4500 SERIES HD – SMART3™ & SMART2™ Non Express



PRICE	ITEM	PART #	DESCRIPTION
			REPLACEMENT RECEIVERS w/SMARTwire™
		1126967	SMART3™ Receiver - Tarp - Non-Express - Bottom Output*
		1126968	SMART3™ Receiver - Tarp - Non-Express - Rear Output*
		1127070	SMART2™ Receiver - Tarp - Non-Express - Bottom Output*
		1122137	SMART2™ Receiver - Tarp - Non-Express - Rear Output*
			REPLACEMENT REMOTES
	1	1126867	SMART3™ Remote
	2	1122231	SMART2™ Remote w/Cradle
	3	1707314	SMART2™ Charging Cable USB - A-Male to Micro B - 3'
	4	1124305	SMART2™ Remote Cradle
			REPLACEMENT COMPONENTS
	5	1124817	Lanyard Ring
	6	1126880	SMART3™ Solenoid Cover w/Gasket - Tarp - Non Express
		1122955	SMART2™ Solenoid Cover w/Gasket - Tarp - Non Express
	7	1704309	Solenoid Cover Gasket - 1/8"
		1705791	Solenoid Cover Gasket - 1/4"
	8	1704312	Motor-Reversing Solenoid 12V-3 Pt Mnt - Jumper Wire "Red"

*Receivers include encoder wire but will NOT operate in Express Mode.

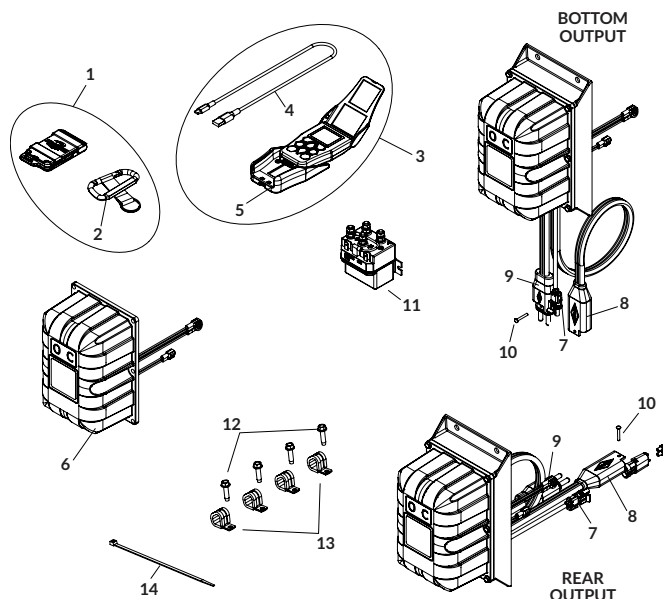
GENUINE SMARTRAILER™ REPLACEMENT PARTS

4500 SERIES HD – RECEIVER/REMOTE Express Mode

PRICE	ITEM	PART #	DESCRIPTION
			SHURLINK™ w/SMARTwire™
	1132226		ShurLink™ Receiver Conversion Cover - Tarp - Express
	1131572		ShurLink™ Receiver - Tarp - Express - Bottom Output*
	1131566		ShurLink™ Receiver - Tarp - Express - Rear Output*
			REMOTES
1	1131576		ShurLink EZR™ Remote
2	1704569		Carabiner Key Strap
3	1131575		ShurLink PRO™ Remote w/Cradle/Charging Cable
4	1706836		ShurLink™ Charging Cable USB - A-Male to C-Male - 3'
5	1131764		ShurLink PRO™ Remote Cradle
			RECEIVER COMPONENTS
	1120906		Wire Retaining Hardware** Includes 1 of 15; 4 of 12 & 13
6	1131673		ShurLink™ Solenoid Cover - Tarp - Express
7	1121641		Encoder Wire - 18 Ga. - 6'4"
8	1120817		SMARTwire™ - 6 Ga. - Socket x 1/4" Terminal - 6'3"
9	1704705		SMARTwire™ - 6 Ga. - Plug x 1/4" Terminal - 2'4"
10	1704751		Harness Lock Pin - 1/4" x 7/8"
11	1703845		Motor-Reversing Solenoid
12	1704338		Self-Tapping Screw - 1/4" x 1"
13	1702108		Wire Clip - 3/4" ID
14	1703231		Cable Tie - 8"
15	1704378		Dielectric Connector Protector (not shown)

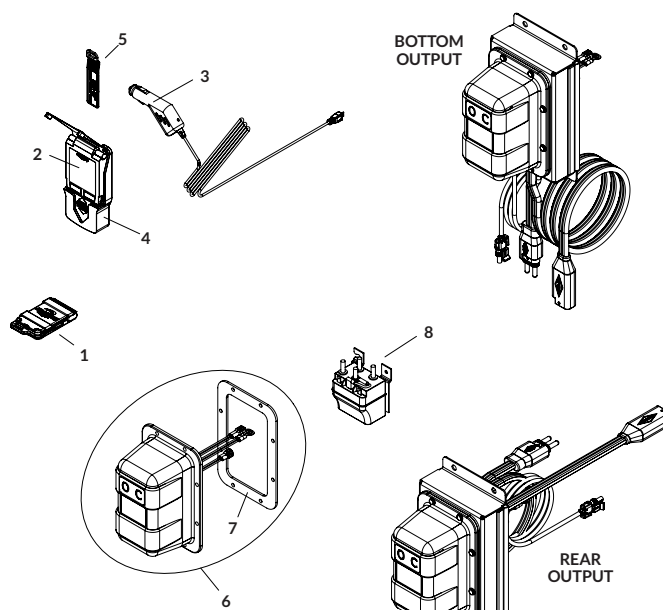
*Receivers marked "Bottom Output" have SMARTwire™ routed through bottom of receiver. Those marked "Rear Output" have SMARTwire™ routed through back of receiver, which is then routed through face of trailer.

**Includes dielectric connector protector

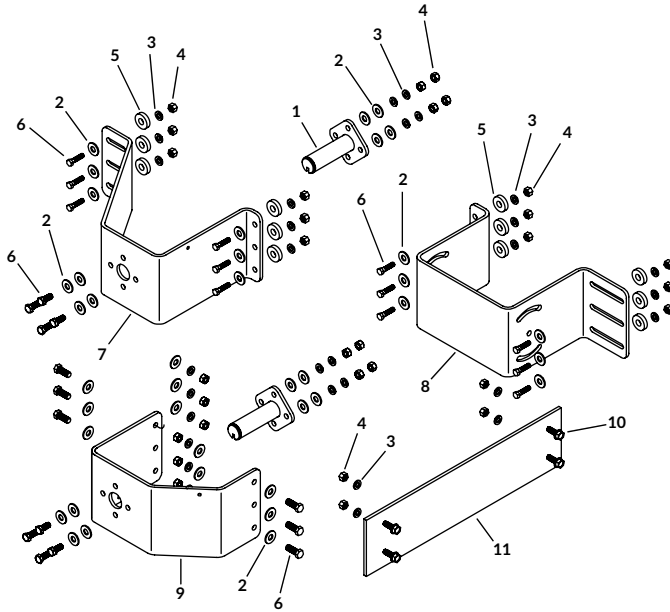


4500 SERIES HD – SMART3™ & SMART2™ Express Mode

PRICE	ITEM	PART #	DESCRIPTION
			REPLACEMENT RECEIVER w/SMARTwire™
	1126866		SMART3™ Receiver - Tarp - Express - Bottom Output*
	1126860		SMART3™ Receiver - Tarp - Express - Rear Output*
	1125616		SMART2™ Receiver - Tarp - Express - Bottom Output*
	1125008		SMART2™ Receiver - Tarp - Express - Rear Output*
			REPLACEMENT REMOTES
1	1126867		SMART3™ Remote
2	1122231		SMART2™ Remote w/Cradle
3	1707314		SMART2™ Charging Cable USB - A-Male to Micro B - 3'
4	1124305		SMART2™ Remote Cradle
			REPLACEMENT COMPONENTS
5	1124817		Lanyard Ring
6	1126873		SMART3™ Solenoid Cover w/Gasket - Tarp - Express
	1124994		SMART2™ Solenoid Cover w/Gasket - Tarp - Express
7	1704309		Solenoid Cover Gasket
	1705791		Solenoid Cover Gasket - 1/4"
8	1704312		Motor-Reversing Solenoid 12V-3 Pt Mnt - Jumper Wire "Red"



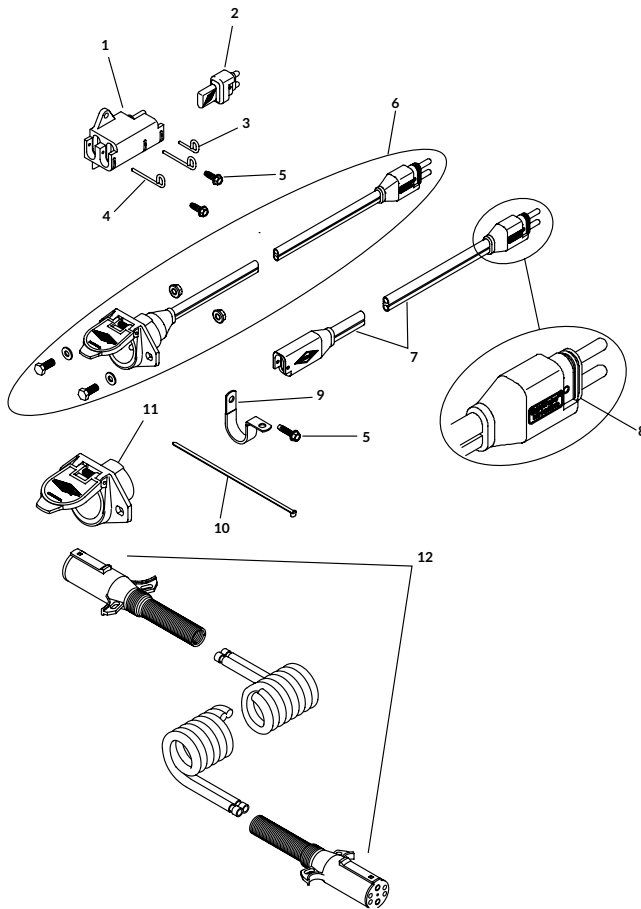
4500 SERIES HD – PIVOT MOUNT BRACKETS



PRICE	ITEM	PART #	DESCRIPTION
		1121579	Pivot Bracket Hardware - 6" Vertical [Includes 6 of 5; 10 of 3, 4 & 6; 14 of 2]
		1121580	Pivot Bracket Hardware - 6" Sloped [Includes 6 of 5; 16 of 3, 4 & 6; 26 of 2]
		1117604	Pivot Pin Hardware [Includes 4 of 3, 4 & 6; 8 of 2]
	1	1116920	Pivot Pin - 4 Spring
	2	1700429	Flat Washer - 3/8"
	3	1700434	Lock Washer - 3/8"
	4	1700407	Hex Nut - 3/8"
	5	1120291	Spacer Washer - 1/4" x 1" OD x .406"
	6	1702891	Hex Head Cap Screw - 3/8" x 1-1/4"
	7	1121582	Pivot Mount Bracket - 6" x 7-1/4" Standoff
		1121578	Pivot Mount Bracket - 6" x 9-1/4" Standoff
		1124678	Pivot Mount Bracket - 6" x 10-1/4" Standoff
		1121517	Pivot Mount Bracket - 6" x 12-1/4" Standoff
	8	1121993	Pivot Mount Bracket - 6" x 6" Standoff - Sloped
		1121994	Pivot Mount Bracket - 6" x 8" Standoff - Sloped
		1121995	Pivot Mount Bracket - 6" x 10" Standoff - Sloped*
	9	1121992	Pivot Mount Bracket - Sloped - 6"
	10	1700400	Self-Tapping Screw - Non Corrosive Coating - 3/8" x 1"
	11	1121583	Pivot Backer Plate - 7" x 16"
		1121584	Pivot Backer Plate - 7" x 20"
		1122040	Pivot Backer Plate - 7" x 24"

*Used on trailers with long, flat sloped front or rear.

4500 SERIES HD – TRAILER WIRING KITS



PRICE	ITEM	PART #	DESCRIPTION
		1122536	Lead Trailer Wiring Kit* - SMARTwire™ - 4 Ga. - 33' Trailer [Includes 1; 2; 3; 6; 7; 8; 2 of 4; 12 of 9; 14 of 5; 40 of 10]
		1122537	Lead Trailer Wiring Kit* - SMARTwire™ - 4 Ga. - 42' Trailer [Includes 1; 2; 3; 6; 7; 8; 2 of 4; 12 of 9; 14 of 5; 40 of 10]
		1122538	Lead Trailer Wiring Kit* - SMARTwire™ - 4 Ga. - 50' Trailer [Includes 1; 2; 3; 6; 7; 8; 2 of 4; 12 of 9; 14 of 5; 40 of 10]
		1122533	Lead Trailer Wiring Kit** - SMARTwire™ - 4 Ga. - Combo 33' Trailer [Includes 6; 7; 8; 12 of 5 & 9; 40 of 10]
		1122534	Lead Trailer Wiring Kit** - SMARTwire™ - 4 Ga. - Combo 42' Trailer [Includes 6; 7; 8; 12 of 5 & 9; 40 of 10]
		1122535	Lead Trailer Wiring Kit** - SMARTwire™ - 4 Ga. - Combo 50' Trailer [Includes 6; 7; 8; 12 of 5 & 9; 40 of 10]
		1120849	Junction Block Kit w/Harness Plug [Includes 1; 2; 3; 2 of 4 & 5]
	1	1704695	Harness Junction Block
	2	1704717	Wire Harness Rubber Plug
	3	1704711	Harness Lock Pin - Short
	4	1704696	Harness Lock Pin - Long
	5	1704338	Self-Tapping Screw - 1/4" x 1"
	6	1122541	SMARTwire™ Dual-Conductor Socket - 22'
		1122542	SMARTwire™ Dual-Conductor Socket - 32'
		1122543	SMARTwire™ Dual-Conductor Socket - 40'
	7	1704888	SMARTwire™ - 4 Ga. - Plug/Socket - 25'
	8	1704720	Wire Harness Seal
	9	1702108	Wire Clip - 3/4" ID
	10	1703231	Cable Tie - 8"
	11	1704978	Dual-Conductor Housing - Female
	12	1123957	Coiled Wire w/Dual-Conductor Plugs - 4 Ga. x 15'
		1123958	Coiled Wire w/Dual-Conductor Plugs - 4 Ga. x 20'

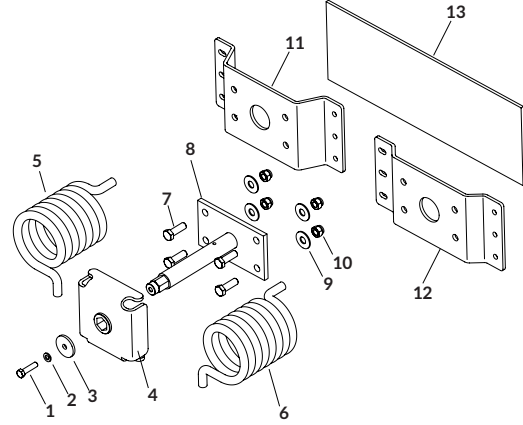
*Lead trailer wiring kit ties into either 4500 Series HD or hopper kits on lead trailer, which routes power to rear of lead trailer.

**Lead trailer wiring kit ties into BOTH 4500 Series HD and hopper kits on lead trailer, which routes power to rear of lead trailer.

GENUINE SMARTRAILER™ REPLACEMENT PARTS

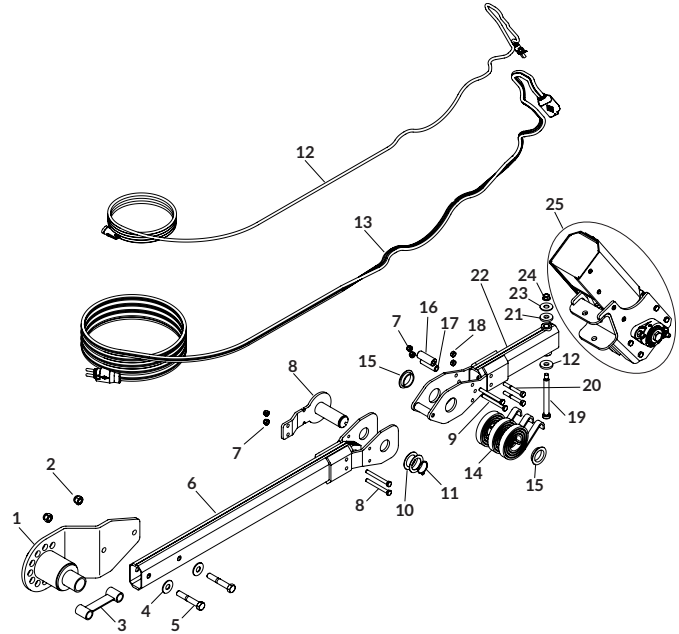
APEX™ – PIVOT ASSEMBLY

PRICE	ITEM	PART #	DESCRIPTION
	1	1705910	Cap Screw - 3/8" x 1-1/2"
	2	1705909	Lockwasher - 3/8"
	3	1126983	Spring Catch Retaining Washer - Black
	4	1126799	Spring Catch
	5	1705829	Torsion Spring - RHW - 4.75" OD x .625" - Black
	6	1705828	Torsion Spring - LHW - 4.75" OD X .625" - Red
	7	1705920	Cap Screw - 1/2" x 1-1/2"
	8	1126819	Spring Pivot Shaft
	9	1705911	Flat Washer - 1/2"
	10	1705913	Nylon Lock Nut - 1/2"
	11	1810205	Pivot Mount Bracket - 2.25"
	12	1810204	Pivot Mount Bracket - 1.25"
	13	1121584	Pivot Backer Plate - 7" x 20" - 6" Wide

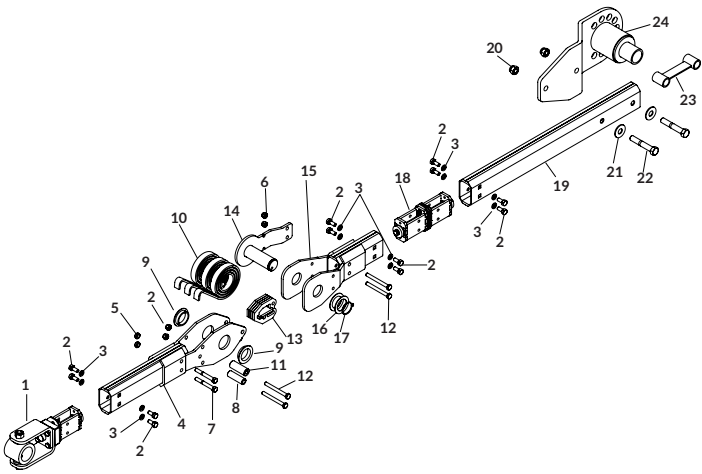


APEX™ – FRONT PIVOT ARM

PRICE	ITEM	PART #	DESCRIPTION
			Front Arm Assembly W/Motor
		1810160	[Includes 1; 3; 6; 8; 11; 12; 13; 16; 17; 19; 22; 23; 24; 25; 2 of 2, 4, 5, 10, 15, 18, 20 & 21; 3 of 14; 4 of 7 & 9]
			Front Arm Assembly w/Motor Reverse Roll
		1810211	[Includes 1; 3; 6; 8; 11; 12; 13; 16; 17; 19; 22; 23; 24; 25; 2 of 2, 4, 5, 10, 15, 18, 20 & 21; 3 of 14; 4 of 7 & 9]
	1	1126794	Spring Pivot
	2	1702115	Nylon Lock Nut - 1/2"
	3	1810181	Dog Bone Spacer
	4	1702114	Flat Washer - 1/2"
	5	1702701	Cap Screw - 1/2" x 3"
	6	1810158	Lower Arm - Front
	7	1700419	Nylon Lock Nut - 5/16"
	8	1810179	Pivot Pin - Right Hand
	9	1702629	Cap Screw - 5/16" x 3"
	10	1702890	Flat Washer - 1-1/4" x 1-7/8" x .045"
	11	1702888	External Retaining Ring - 1-1/4" ID x .05"
	12	1705807	Encoder Wire - 13'-6"
	13	1704827	SMARTwire™ - 6 Ga. x 16'
	14	1111027	Spiral Torsion Spring
	15	1704468	Flange Bushing - 1.281" ID x 1.522" OD
	16	1810201	Elbow Stop Tube
	17	1810144	Spacer Tube - .35" ID x 2"
	18	1704454	Nylon Lock Nut - 5/16" - Thin
	19	1706616	Shoulder Bolt - 1/2" x 4-1/4" Thread - 3/8" x 5/8"
	20	1706615	Cap Screw - 5/16" x 2-1/2" - Grade 5
	21	1810184	Plastic Washer - .1875" x 1.25" Round
	22	1810162	Upper Arm - Front
	23	1700430	Flat Washer - 7/16"
	24	1701283	Flanged Top Lock Nut - 3/8"
	25		

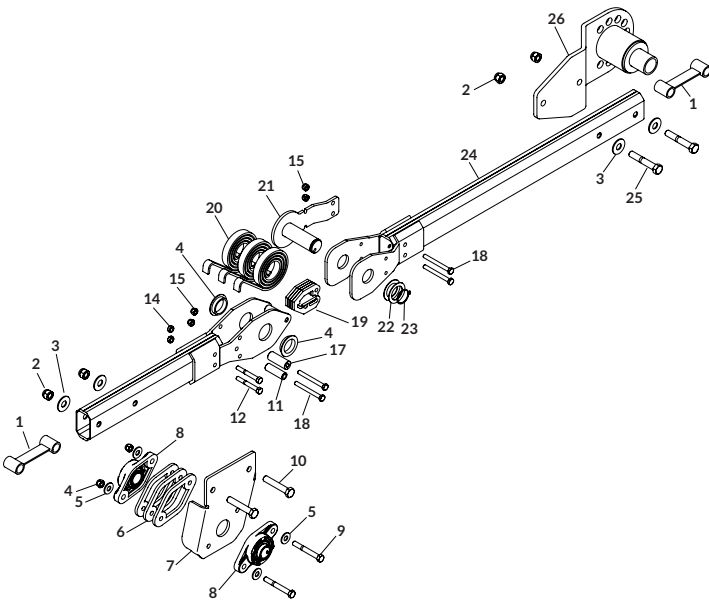


APEX™ – REAR ARM STANDARD



PRICE	ITEM	PART #	DESCRIPTION
		1810161	Rear Arm Assembly Standard [Includes 1; 4; 8; 11; 13; 14; 15; 17; 18; 19; 23; 24; 2 of 5, 7, 9, 16, 20, 21 & 22; 3 of 10; 4 of 6 & 12; 12 of 2 & 3]
		1810212	Rear Arm Assembly Standard Reverse Roll [Includes 1; 4; 8; 11; 13; 14; 15; 17; 18; 19; 23; 24; 2 of 5, 7, 9, 16, 20, 21 & 22; 3 of 10; 4 of 6 & 12; 12 of 2 & 3]
	1	1810200	Upper Arm Swivel Connector
	2	1701045	Cap Screw - 5/16" x 3/4"
	3	1700433	Lockwasher - 5/16"
	4	1810195	Rear Upper Arm
	5	1704454	Nylon Lock Nut - 5/16" - Thin
	6	1700419	Nylon Lock Nut - 5/16"
	7	1706615	Cap Screw - 5/16" x 2-1/2" - Grade 5
	8	1810144	Spacer Tube - .35" ID x 2"
	9	1704468	Flange Bushing - 1.281" ID x 1.522" OD
	10	1111027	Spiral Torsion Spring
	11	1810201	Elbow Stop Tube
	12	1702629	Cap Screw - 5/16" x 3"
	13	1810178	Elbow Stop
	14	1810193	Pivot Pin - Left Hand
	15	1810186	Rear Lower Arm - Elbow
	16	1702890	Flat Washer - 1-1/4" x 1-7/8" x .045"
	17	1702888	External Retaining Ring - 1-1/4" ID x .05"
	18	1810190	Lower Arm Rotator
	19	1810185	Lower Arm Tube - Rear - Pivot
	20	1702115	Nylon Lock Nut - 1/2"
	21	1702114	Flat Washer - 1/2"
	22	1702701	Cap Screw - 1/2" x 3"
	23	1810181	Dog Bone Spacer
	24	1126794	Spring Pivot

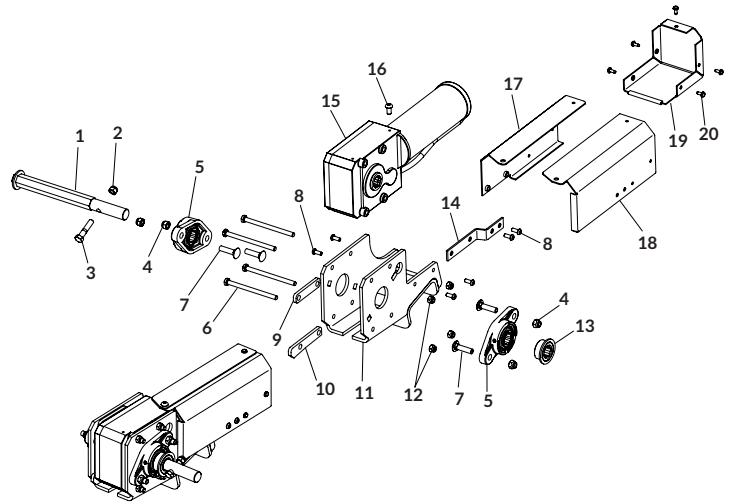
APEX™ – REAR ARM LIFT HINGE



PRICE	ITEM	PART #	DESCRIPTION
		1810215	Rear Arm Assembly Lift Hinge [Includes 7; 11; 13; 17; 19; 21; 23; 24; 26; 2 of 1, 4, 8, 9, 10, 12, 14, 16, 22 & 25; 3 of 6 & 20; 4 of 2, 3, 5 & 18]
		1810216	Rear Arm Assembly Lift Hinge Reverse Roll [Includes 7; 11; 13; 17; 19; 21; 23; 24; 26; 2 of 1, 4, 8, 9, 10, 12, 14, 16, 22 & 25; 3 of 6 & 20; 4 of 2, 3, 5 & 18]
	1	1810181	Dog Bone Spacer
	2	1702115	Nylon Lock Nut - 1/2"
	3	1702114	Flat Washer - 1/2"
	4	1701580	Nylon Lock Nut - 3/8"
	5	1700429	Flat Washer - 3/8"
	6	1810338	Upper Arm Bearing Spacer Plate
	7	1810214	Upper Arm Bearing Bracket
	8	1119560	Flange Bearing - 1" ID
	9	1700371	Cap Screw - 3/8" x 3"
	10	1704809	Cap Screw - 1/2" x 2-3/4"
	11	1810144	Spacer Tube - .35" ID x 2"
	12	1706615	Cap Screw - 5/16" x 2-1/2" - Grade 5
	13	1810213	Upper Arm - Rear - Lift Hinge
	14	1704454	Nylon Lock Nut - 5/16" - Thin
	15	1700419	Nylon Lock Nut - 5/16"
	16	1704468	Flange Bushing - 1.281" ID x 1.522" OD
	17	1810201	Elbow Stop Tube
	18	1702629	Cap Screw - 5/16" x 3"
	19	1810178	Elbow Stop
	20	1111027	Spiral Torsion Spring
	21	1810193	Pivot Pin - Left Hand
	22	1702890	Flat Washer - 1-1/4" x 1-7/8" x .045"
	23	1702888	External Retaining Ring - 1-1/4" ID x .05"
	24	1810158	Lower Arm - Front
	25	1702701	Cap Screw - 1/2" x 3"
	26	1126794	Spring Pivot

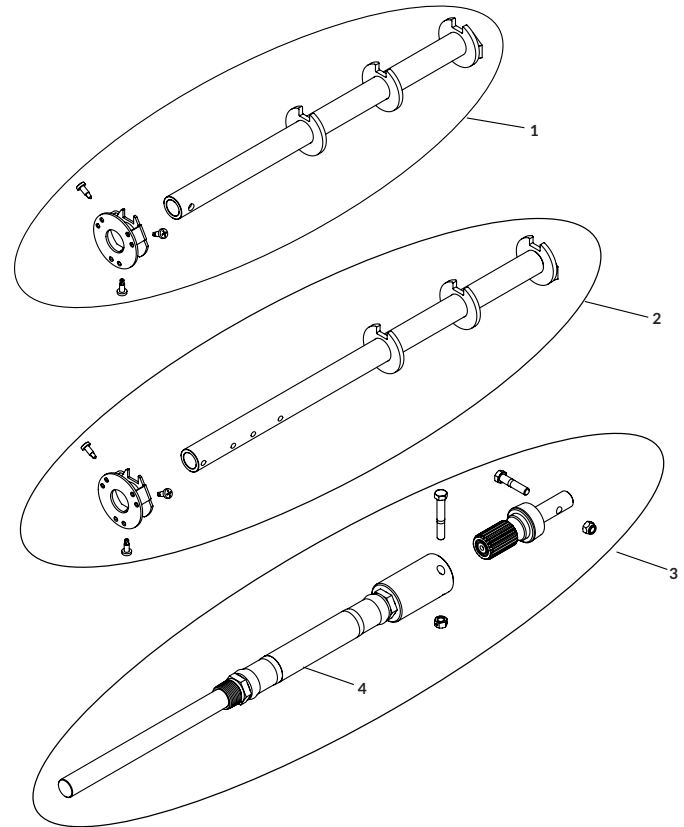
APEX™ – MOTOR MOUNT ASSEMBLY

PRICE	ITEM	PART #	DESCRIPTION
	1	1127572	Drive Shaft
	2	1705680	Cap Screw - 3/8" x 1-3/4"
	3	1701580	Nylon Lock Nut - 3/8"
	4	1705918	Nylon Lock Nut - 3/8"
	5	1704456	Flange Bearing - 7/8" Hex
	6	1705919	Nylon Lock Nut - 5/16"
	7	1705917	Carriage Bolt - 5/16" x 1-1/2"
	8	1703327	Button Head Cap Screw - 1/4" x 5/8"
	9	1810175	Motor Shim Plate - Outer
	10	1810174	Motor Shim Plate - Inner
	11	1810164	Motor Mount
	12	1705919	Nylon Lock Nut - 5/16"
	13	1810207	Locking Collar w/Ring - 7/8"
	14	1810173	Motor Cover Support Bracket
	15	1127091	Apex 12-Volt Motor
	16	1706617	Button Head Cap Screw - 5/16" x 5/8"
	17	1810168	Motor Cover - Front Panel
	18	1810169	Motor Cover - Back Panel
	19	1810172	Motor Cover End Cap
	20	1704308	Flanged Cap Screw - #10 x 1/2"

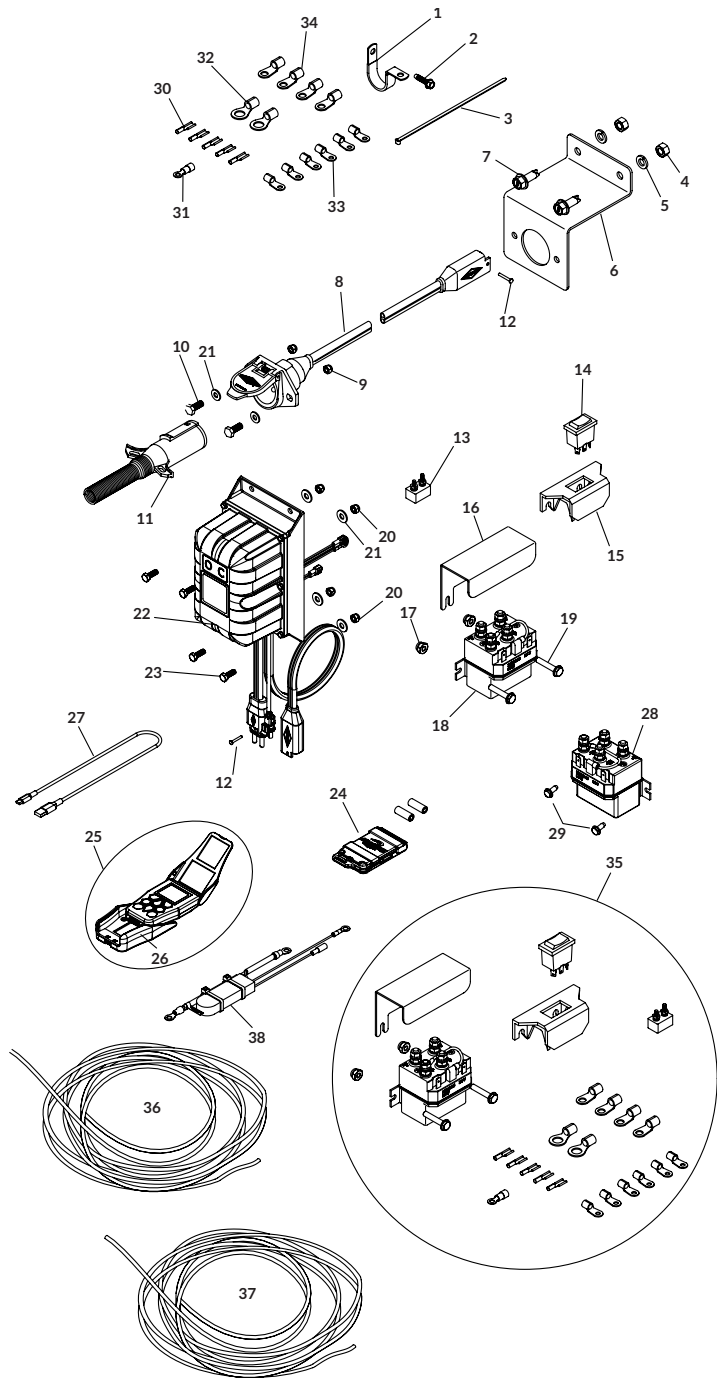


APEX™ – ROLL TUBE ADAPTER

PRICE	ITEM	PART #	DESCRIPTION
	1	1131389	Cartridge Kit - 3" Aluminum - 20" Drive
	2	1131390	Cartridge Kit - 3" Aluminum - 24.25 Rear
	3	1131391	Flex Adaptor Shaft Kit - Lift Gate
	4	1810339	Flex Adaptor Shaft - Lift Gate



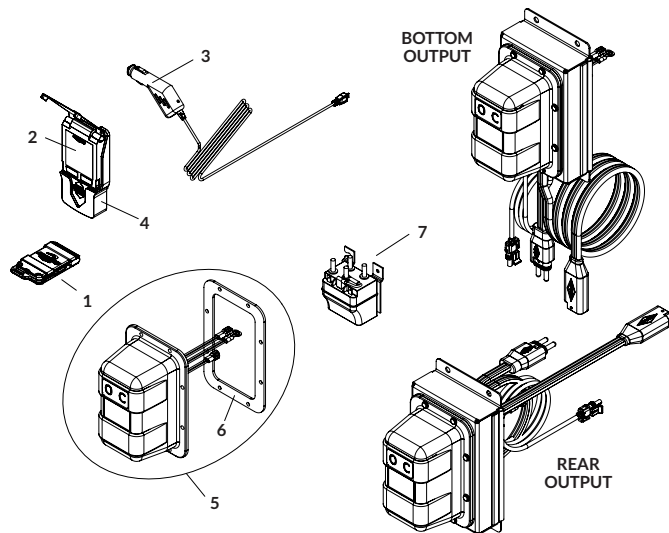
APEX™ – ELECTRICS



PRICE	ITEM	PART #	DESCRIPTION
		1132226	ShurLink™ Receiver Conversion Cover - Tarp - Express
	1	1702108	Wire Clip - 3/4" ID
	2	1704338	Self-Tapping Screw - 1/4" x 1"
	3	1703231	Cable Tie - 8"
	4	1700407	Hex Nut - 3/8"
	5	1700434	Lock Washer - 3/8"
	6	1127798	Mounting Bracket
	7	1700400	Self-Tapping Screw - 3/8" x 1" (non-corrosive coating)
	8	1120670	SMARTWire™ Dual-Conductor Socket - 6 Ga. x 3/6"
	9	1704946	Top Lock Flange Nut - 5/16"
	10	1701045	Hex Head Cap Screw - 5/16" x 3/4"
	11	1115385	Heavy-Duty Dual-Conductor Plug - Vertical Pin
	12	1704751	Harness Lock Pin - 1/4" x 7/8"
	13	1703480	50-Amp Auto-Reset Circuit Breaker
	14	1116020	Rocker Switch
	15	1703661	Rocker Switch Mounting Bracket
	16	1703896	Solenoid Cover
	17	1701543	Nylon Lock Hex Nut - 1/4"
	18	1703845	Motor-Reversing Solenoid
	19	1704905	Hex Flange Cap Screw - #10 x 1"
	20	1700419	Nylon Lock Hex Nut - 5/16"
	21	1700427	Flat Washer - 1/4"
	22	1131614	ShurLink™ Receiver - Express - Bottom Output
	23	1702926	Hex Head Cap Screw - 5/16" x 7/8"
	24	1131576	ShurLink EZR™ Remote
	25	1131575	ShurLink PRO™ Remote w/Cradle/Charging Cable
	26	1131764	ShurLink PRO™ Remote Cradle
	27	1706836	ShurLink PRO™ Charging Cable
	28	1703845	Motor-Reversing Solenoid
	29	1704308	Flange Cap Screw - #10 x 1/2"
	30	1703659	Push-On Terminal - 14 Ga. x 1/4" - Switch/Solenoid
	31	1704153	Ring Terminal - 14 Ga. x 1/4" Stud - Solenoid
	32	1703244	Ring Terminal - 6 Ga. x 3/8" Stud - Battery
	33	1703245	Ring Terminal - 6 Ga. x #10 Stud - Motor/Breaker
	34	1702707	Ring Terminal - 6 Ga. x 1/4" Stud - Motor/Solenoid
	35	1116271	Electrical Parts Kit w/Rocker Switch - 50 Amp Modified
	36	1116482	Electrical Wire - 14 Ga. Lead - 15'
	37	1118495	Dual-Conductor Wire - 6 Ga. - 30'
	38	1126784	80-Amp Smart Circuit Breaker Kit
	39	1131767	ShurLink™ Solenoid Cover - Tarp - Express*

*Not Pictured.

APEX™ – SMART3™ & SMART2™



PRICE	ITEM	PART #	DESCRIPTION
			REPLACEMENT RECEIVERS w/SMARTWire™
		1131765	SMART3™ Receiver - Tarp - Express - Bottom Output
		1125616	SMART2™ Receiver - Tarp - Express - Bottom Output
			REPLACEMENT REMOTES
	1	1126867	SMART3™ Remote
	2	1122231	SMART2™ Remote w/Cradle
	3	1707314	SMART2™ Charging Cable USB - A-Male to Micro B - 3'
	4	1124305	SMART2™ Remote Cradle
			REPLACEMENT COMPONENTS
	5	1131766	SMART3™ Solenoid Cover w/Gasket - Tarp - Express
		1124994	SMART2™ Solenoid Cover w/Gasket - Tarp - Express
	6	1704309	Solenoid Cover Gasket
		1705791	Solenoid Cover Gasket - 1/4"
	7	1704312	Motor-Reversing Solenoid

GENUINE SMARTTRAILER™ REPLACEMENT PARTS

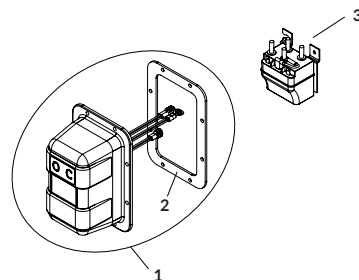
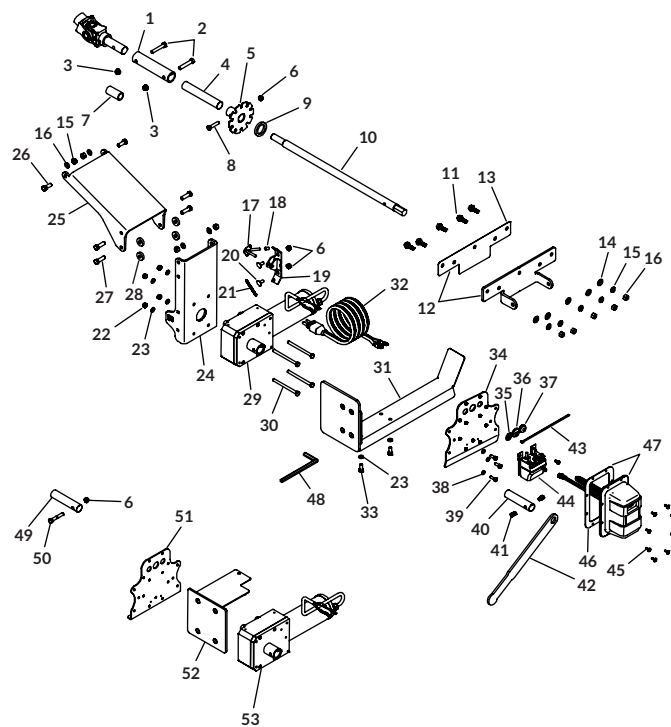
AUTOTRAP™ – SMARTWIRE™ HOPPER DOOR OPENERS

PRICE	ITEM	PART #	DESCRIPTION
		1132225	ShurLink™ Receiver Conversion Cover - AutoTrap™
		1123896	Intermediate Bracket Hardware - Rail Mount [Includes 2 of 26; 4 of 27 & 28; 6 of 15 & 16]
		1118253	Hinge Bracket Hardware [Includes 2 of 2 & 27; 4 of 3; 5 of 11, 14, 15 & 16]
	1	1123567	Coupling - 1-3/8" x 6"
	2	1704264	Hex Head Cap Screw - 3/8" x 2"
	3	1701580	Nylon Lock Nut - 3/8"
	4	1705226	Adapter Bushing
	5	1123565	Manual Locking Gear
	6	1700419	Nylon Lock Hex Nut - 5/16"
	7	1123569	Shaft Adapter - 3/4" to 1"
	8	1703487	Hex Head Cap Screw - 5/16" x 1 1/2"
	9	1118318	Spacer Washer - 1/4" x 1.81 OD x 1.28"
	10	1124697	Drive Shaft - 27"
	11	1700400	Self-Tapping Screw - 3/8" x 1" (non-corrosive coating)
	12	1118439	Replacement Hinge Bracket
	13	1118277	Shim Insulator
	14	1700429	Flat Washer - 3/8"
	15	1700434	Lock Washer - 3/8"
	16	1700407	Hex Nut - 3/8"
	17	1123557	AutoTrap™ Locking Pin
	18	1704276	Protective Cap - 1/4" x 1/2"
	19	1123554	Locking Pin Bracket
	20	1705231	Carriage Bolt - 5/16" x 3/4" - GR5
	21	1704904	Extension Spring - 7/32" x .023" x 1-15/16"
	22	1700411	Hex Nut - 5/16"
	23	1700433	Lock Washer - 5/16"
	24	1123553	AutoTrap™ Motor Mount Bracket
	25	1123895	AutoTrap™ Intermediate Bracket - Rail Mount
	26	1701061	Hex Head Cap Screw - 3/8" x 1"
	27	1702891	Hex Head Cap Screw - 3/8" x 1-1/4"
	28	1120291	Spacer Washer - 1/4" x 1" OD x .406"
	29	1124591	AutoTrap™/MaxxTrap™ Motor
	30	1705230	Hex Head Cap Screw - 5/16" x 4"
	31	1124858	Universal Debris Deflector
	32	1704716	SMARTwire™ - 6 Ga. x Plug x 1/4" Terminal - 10'
	33	1701045	Hex Head Cap Screw - 5/16" x 3/4"
	34	1124846	Universal Modular Control Bracket
	35		
	36	1704721	Rubber Grommet w/Slot - .094" x 7/8"
	37	1705115	Push-In Rubber Grommet - 3/8" x 11/16"
	38	1700436	Lock Washer - 1/4"
	39	1703959	Hex Head Cap Screw - 1/4" x 3/4"
	40	1705480	Motor Bushing - 4"
	41	1705476	Soc Head Cap Screw - 3/8" x 1/2"
	42	1123568	Crank Handle
	43	1703231	Cable Tie - 8"
	44	1705408	Motor-Reversing Solenoid
	45	1704308	Flange Cap Screw - #10 x 1/2"
	46	1704309	Solenoid Cover Gasket
		1705791	Solenoid Cover Gasket - 1/4"
	47	1131635	ShurLink™ Solenoid Cover w/Gasket - Hopper Door
	48	1705479	Allen Wrench - 5/16" x 6"
	49	1705480	Motor Bushing* - 4"
	50	1705083	Hex Head Cap Screw* - 5/16" x 2" - GR8
	51	1123562	Modular Control Bracket*
	52	1123563	Debris Deflector*
	53	1129829	AutoTrap™/MaxxTrap™ Motor Kit*

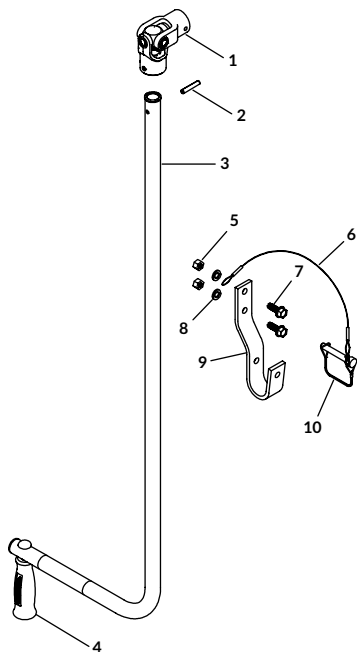
*Order these components if AutoTrap™ was purchased before 2016.

AUTOTRAP™ – SMART3™ & SMART2™

PRICE	ITEM	PART #	DESCRIPTION
			REPLACEMENT RECEIVERS w/SMARTwire™
	1	1126875	SMART3™ Solenoid Cover w/Gasket - Hopper Door
		1123775	SMART2™ Solenoid Cover w/Gasket - Hopper Door
			REPLACEMENT COMPONENTS
	2	1704309	Solenoid Cover Gasket - 1/8"
		1705791	Solenoid Cover Gasket - 1/4"
	3	1704312	Motor-Reversing Solenoid 12V - 3 Pt Mnt - Jumper Wire "Red"

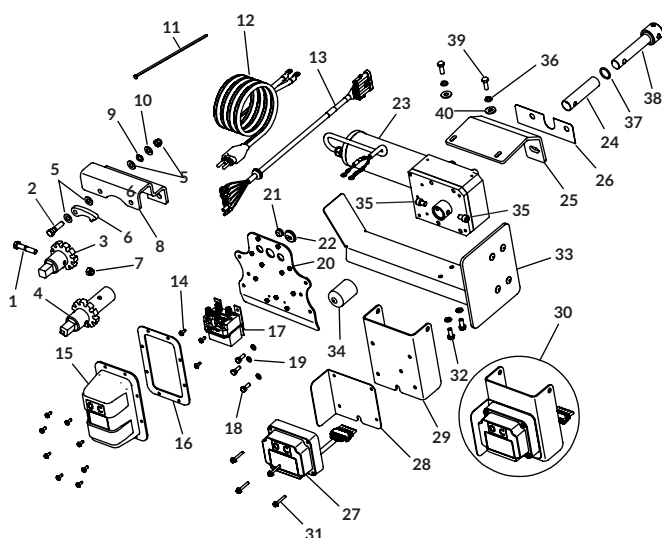


MAXXTRAP™ – CRANK ARMS/CRANK RETAINERS



PRICE	ITEM	PART #	DESCRIPTION
		1101929	Offset Crank Retainer Kit [Includes 6; 9; 10; 2 of 5, 7 & 8]
		1107062	Offset Crank Retainer Hardware Kit [Includes 6; 10; 2 of 5, 7 & 8]
		1122729	Override Crank [Includes 1; 2; 3]
	1	1700527	Econo U-Joint
	2	1700445	Spring Pin - 1/4" x 1-1/2"
	3	1124947	Crank Arm - 42"
	4	1116110	Crank Handle Kit (Handle - Washer - Nut)
	5	1700407	Hex Nut - 3/8"
	6	1100574	Cable w/#5 Interlock Snap
	7	1700400	Self-Tapping Screw - Non Corrosive Coating - 3/8" x 1"
	8	1700434	Lock Washer - 3/8"
	9	1101930	Offset J-Hook Crank Retainer
	10	1700526	Wire Lock Pin - 3/8" x 2-1/2"

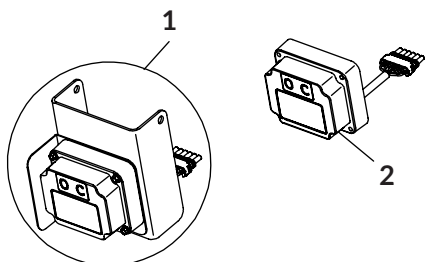
MAXXTRAP™ – SMARTWIRE™ HOPPER DOOR OPENERS



PRICE	ITEM	PART #	DESCRIPTION
		1131533	Override Adapter Kit - 1"
	1	1705083	Hex Head Cap Screw - 5/16" x 2" - GR8
	2	1701434	Hex Head Cap Screw - 3/8" x 1-1/2"
	3	1705078	Override Adapter - 1"
		1705077	Override Adapter - 7/8"
	4	1124587	Override Coupling
	5	1701176	Flat Washer - 3/8" - SAE
	6	1705089	Manual Override Pawl
	7	1704297	Nylon Lock Nut - 5/16"
	8	1124583	Manual Override Bracket - Wilson RP2
		1124618	Manual Override Bracket - Wilson G2
	9	1705087	Stainless Wave Washer - 3/8"
	10	1701580	Nylon Lock Nut - 3/8"
	11	1703231	Cable Tie - 8"
	12	1704716	SMARTwire™ - 6 Ga. x Plug x 1/4" Terminal - 10'
	13	1705257	Cable Assembly - 7'
	14	1704308	Flange Cap Screw - #10 x 1/2"
	15	1122717	Dummy Solenoid Cover
	16	1704309	Solenoid Cover Gasket
		1705791	Solenoid Cover Gasket - 1/4"
	17	1705408	Motor-Reversing Solenoid 12V - 3 Pt Mnt - Jumper Wire "Black"
	18	1703959	Hex Head Cap Screw - 1/4" x 3/4"
	19	1700436	Lock Washer - 1/4"
	20	1124846	Universal Modular Control Bracket
	21	1705101	Rubber Grommet - 3/8" x 1/2"
	22	1704721	Rubber Grommet w/Slot - .094" x 7/8"
	23	1124591	AutoTrap™/MaxxTrap™ Motor
	24	1705480	Motor Bushing - 4"
	25	1122795	Gearbox Bracket* - GEN2
		1123460	Gearbox Bracket* - STO
		1124449	Gearbox Bracket*
		1124564	Gearbox Bracket* - Wilson
		1124628	Gearbox Bracket* - Original RRP
		1125618	Gearbox Bracket* - MRT
	26	1124566	Gearbox Shim Insulator
	27	1131667	ShurLink™ Control Module - Hopper Door
	28	1122655	Mud Guard
	29	1124321	Modular Control Bracket
	30	1131668	ShurLink™ Control Module w/Mounting Bracket
	31	1705412	Flange Cap Screw - #10 x 1-1/2"
	32	1701045	Hex Head Cap Screw - 5/16" x 3/4"
	33	1124858	Universal Debris Deflector
	34	1700789	Protective Cap - 1.3" ID
	35	1705476	Soc Head Cap Screw - 3/8" x 1/2"
	36	1700433	Lock Washer - 5/16"
	37	1705477	O-Ring - 7/8" ID x 1-1/8" OD
	38	1705463	Drive Shaft - 5-3/4"
	39	1705142	Hex Head Cap Screw - 3/8" x 1"
	40	1700427	Flat Washer - 1/4"

MAXXTRAP™ – SMART3™ & SMART2™

PRICE	ITEM	PART #	DESCRIPTION
REPLACEMENT CONTROL MODULES			
	1	1122750	SMART2™ Control Module w/Mounting Bracket
		1128129	SMART3™ Control Module w/Mounting Bracket
	2	1122553	SMART2™ Control Module - Hopper Door
		1128131	SMART3™ Control Module - Hopper Door



*Call w/year, make and model to determine correct bracket for your system.

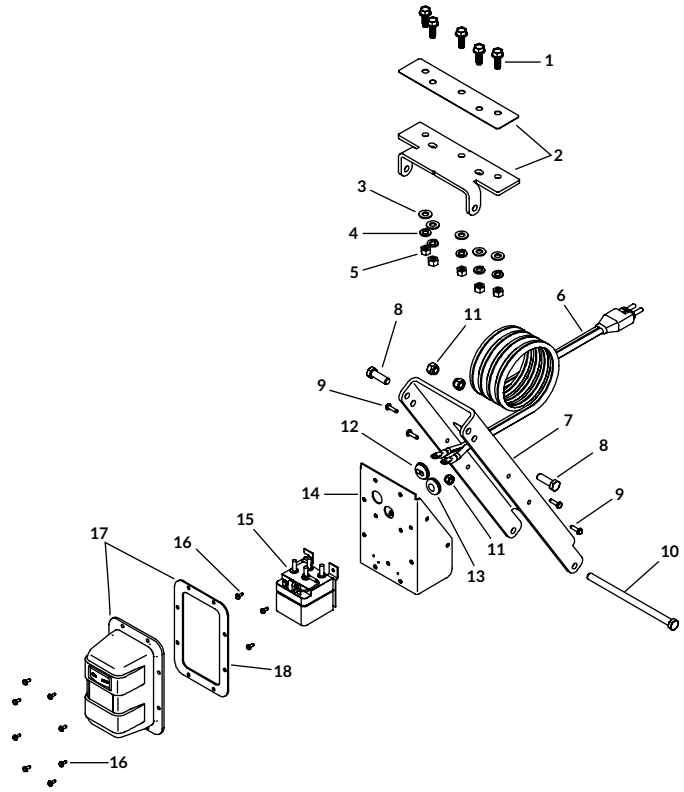
NOTE: These are replacement parts for MaxxTrap™ purchased after 2016. For replacement parts for systems before 2016 please CALL. Be sure to have the year, make and model of your trailer ready.

GENUINE SMARTRAILER™ REPLACEMENT PARTS

PROTRAP® – RAIL MOUNT ASSEMBLIES

PRICE	ITEM	PART #	DESCRIPTION
		1132224	ShurLink™ Receiver Conversion Cover - ProTrap™
		1118569	Hinge Bracket Hardware* - Rail Mount [Includes 10; 2 of 8; 5 of 1, 3, 4, 5 & 11]
1	1700400		Self-Tapping Screw - Non Corrosive Coating - 3/8" x 1"
2	1119074		Replacement Hinge Bracket - Rail Mount
3	1700429		Flat Washer - 3/8"
4	1700434		Lock Washer - 3/8"
5	1700407		Hex Nut - 3/8"
6	1704716		SMARTwire™ - 6 Ga. x Plug x 1/4" Terminal - 10'
7	1118527		Intermediate Bracket - Rail Mount
8	1702904		Hex Head Cap Screw - 3/8" x 1-1/8"
9	1704367		Hex Flange Cap Screw - #10 x 3/4"
10	1703178		Hex Head Cap Screw - 3/8" x 6-1/2"
11	1701580		Nylon Lock Nut - 3/8"
12	1704721		Rubber Grommet w/Slot - .094" x 7/8"
13	1704818		Rubber Grommet - 1/2" x 1-1/16"
14	1120701		Modular Control Bracket
15	1705408		Motor-Reversing Solenoid
16	1704308		Flange Cap Screw - #10 x 1/2"
17	1131631		ShurLink™ Solenoid Cover w/Gasket - Hopper Door
18	1704309		Solenoid Cover Gasket - 1/8"
		1705791	Solenoid Cover Gasket - 1/4"
		1704378	Dielectric Connector Protector (not shown)

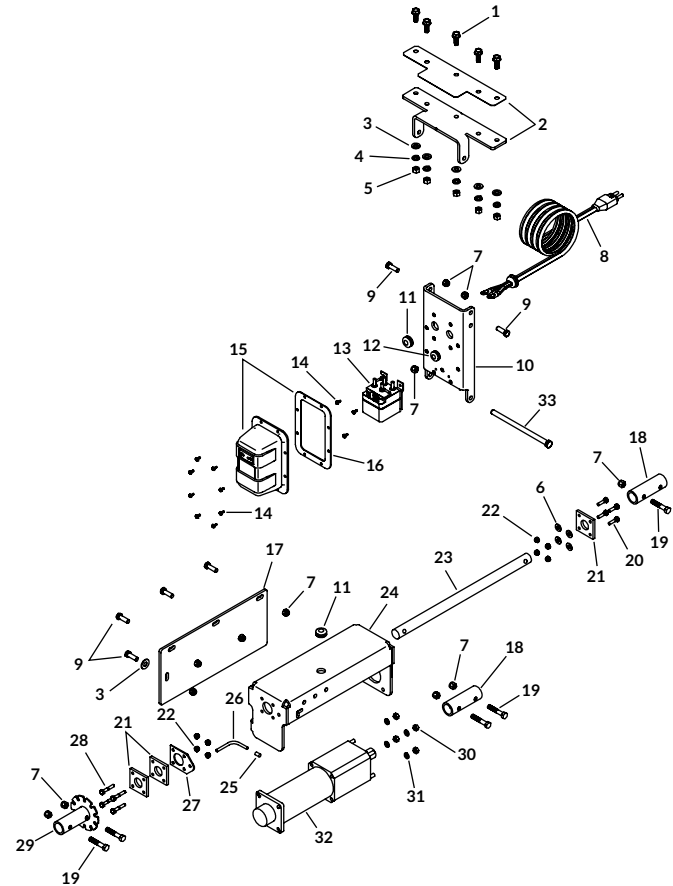
*Includes dielectric connector protector.



PROTRAP® – SMARTWIRE™ HOPPER DOOR OPENERS

PRICE	ITEM	PART #	DESCRIPTION
		1132224	ShurLink™ Receiver Conversion Cover - ProTrap™
		1118253	Hinge Bracket Hardware Kit* [Includes 2 of 9 & 19; 4 of 7; 5 of 1, 3, 4 & 5]
1	1700400		Self-Tapping Screw - Non Corrosive Coating - 3/8" x 1"
2	1118439		Replacement Hinge Bracket
3	1700429		Flat Washer - 3/8"
4	1700434		Lock Washer - 3/8"
5	1700407		Hex Nut - 3/8"
6	1700427		Flat Washer - 1/4"
7	1701580		Nylon Lock Nut - 3/8"
8	1704716		SMARTwire™ - 6 Ga. x Plug x 1/4" Terminal - 10'
9	1702904		Hex Head Cap Screw - 3/8" x 1-1/8"
10	1120623		Intermediate Bracket - SMARTwire™
11	1704270		Rubber Grommet - 1/2" x 11/16"
12	1704722		Rubber Grommet w/Slot - 1/4" x 7/8"
13	1705408		Motor-Reversing Solenoid
14	1704367		Hex Flange Cap Screw - #10 x 3/4"
15	1131631		ShurLink™ Solenoid Cover w/Gasket - Hopper Door
16	1704309		Solenoid Cover Gasket
		1705791	Solenoid Cover Gasket - 1/4"
17	1118436		Rock Flap [Includes Flap; 4 of 3, 7 & 9]
18	1118038		Coupling - 1-3/8" x 4"
19	1704264		Hex Head Cap Screw - 3/8" x 2"
20	1700381		Hex Head Cap Screw - 1/4" x 1"
21	1118034		Flange Bearing
22	1701543		Nylon Lock Hex Nut - 1/4"
23	1118033		Manual Shaft
24	1118026		Motor Mount Bracket - Driver Side
		1119141	Motor Mount Bracket - Passenger Side
25	1704276		Protective Cap - 1/4" x 1/2"
26	1118036		ProTrap® Locking Pin
27	1118035		Lock Retainer
28	1700377		Hex Head Cap Screw - 1/4" x 1-1/2"
29	1118031		Locking Coupling
30	1704389		Hex Nut - 5/16"
31	1700433		Lock Washer - 5/16"
32	1119072		ProTrap® 150 Motor
		1118400	ProTrap® 250 Motor
		1125713	ProTrap® 350 Motor
33	1703178		Hex Head Cap Screw - 3/8" x 6-1/2"
		1704378	Dielectric Connector Protector (not shown)

*Includes dielectric connector protector.

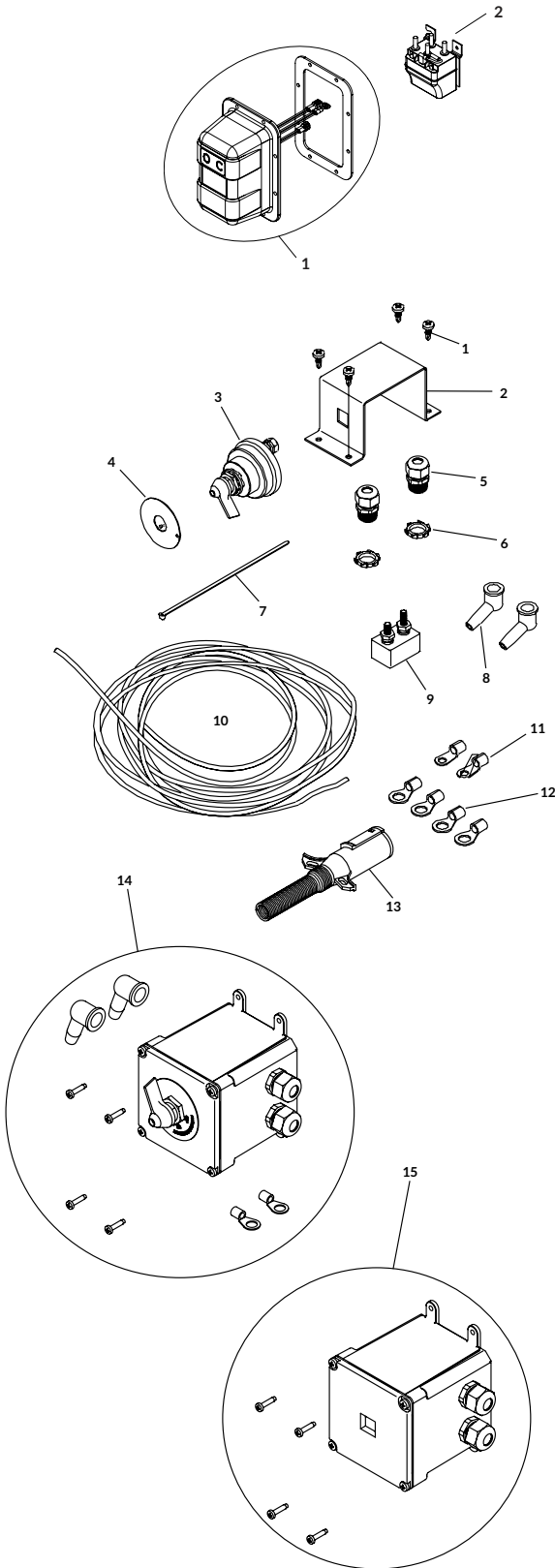


PROTRAP® – SMART3™ & SMART2™

PRICE	ITEM	PART #	DESCRIPTION
REPLACEMENT COMPONENTS			
	1	1126874	SMART3™ Solenoid Cover w/Gasket - Hopper Door
		1123082	SMART2™ Solenoid Cover w/Gasket - Hopper Door
	2	1704312	Motor-Reversing Solenoid

AUTOTRAP™/MAXXTRAP™/PROTRAP® – CAB WIRING KITS

PRICE	ITEM	PART #	DESCRIPTION
		1118417	Cab Wiring Kit* - 6 Ga. - Master Disconnect - 30' [Includes 2; 3; 4; 9; 10; 13; 2 of 5, 6, 8 & 11; 4 of 1 & 12; 15 of 7]
		1125292	Cab Wiring Kit - 6 Ga. - Master Disconnect w/External Switch - 30' [Includes 4; 9; 10; 13; 14; 2 of 11; 4 of 12; 15 of 7]
		1122725	Cab Wiring Kit* - 4 Ga.** - Master Disconnect - 30' [Includes 2; 3; 4; 9; 10; 13; 2 of 5, 6, 8 & 11; 4 of 1 & 12; 15 of 7]
		1125293	Cab Wiring Kit - 4 Ga.** - Master Disconnect w/External Switch - 30' [Includes 4; 9; 10; 13; 14; 2 of 11; 4 of 12; 15 of 7]
		1125617	Master Disconnect Switch Kit [Includes 2; 3; 2 of 5, 6 & 8; 4 of 1]
		1120466	Master Disconnect Kit* - 10' [Includes 2; 3; 4; 9; 10; 2 of 5, 6, 8 & 11; 4 of 1 & 12; 15 of 7]
		1120467	Master Disconnect Kit* - 30' [Includes 2; 3; 4; 9; 10; 2 of 5, 6, 8 & 11; 4 of 1 & 12; 15 of 7]
		1118325	Mounting Bracket Hardware Kit [Includes 2 of 5, 6 & 8; 4 of 1]
		1118254	Cab Wiring Hardware Kit - 6 Ga. [Includes 4; 9; 2 of 11; 4 of 12; 15 of 7]
		1122761	Cab Wiring Hardware Kit - 4 Ga.** [Includes 4; 9; 2 of 11; 4 of 12; 15 of 7]
	1	1700398	Self-Drilling Screw - 1/4" x 3/4"
	2	1118323	Disconnect Switch Mounting Bracket
	3	1704283	Battery Disconnect Rotary Switch
	4	1704284	Face Plate
	5	1704152	Dome Nut - 1/2"
	6	1704187	Lock Nut - 1/2"
	7	1703231	Cable Tie - 8"
	8	1704330	Rubber Insulating Boot
	9	1704354	40-Amp Modified-Reset Circuit Breaker
	10	1119077	Dual-Conductor Wire - 6 Ga. - 10'
		1119078	Dual-Conductor Wire - 6 Ga. - 20'
		1118495	Dual-Conductor Wire - 6 Ga. - 30'
		1119645	Dual-Conductor Wire - 6 Ga. - 40'
		1110312	Dual-Conductor Wire - 6 Ga. - 50'
		1127835	Dual-Conductor Wire - 6 Ga. - 60'
		1108102	Dual-Conductor Wire - 6 Ga. - 75'
		1108101	Dual-Conductor Wire - 6 Ga. - 100'
		1704888	SMARTwire™ - 4 Ga. - Plug/Socket - 25'
		1705108	SMARTwire™ - 4 Ga. - Plug/Socket - 30'
		1123042	SMARTwire™ - 4 Ga. - Socket - 40'
		1704989	SMARTwire™ - 4 Ga. - Socket - 90'
		1123043	Dual-Conductor Wire - 4 Ga. - 50'
		1127752	Dual-Conductor Wire - 4 Ga. - 30'
		1705107	Dual-Conductor Wire - 4 Ga. - 133 Strand (per foot)
	11	1703245	Ring Terminal - 6 Ga. x #10 Stud - Motor/Breaker
		1705106	Ring Terminal - 4 Ga.** x #10 Stud - Motor/Breaker
	12	1703244	Ring Terminal - 6 Ga. x 3/8" Stud - Battery
		1705105	Ring Terminal - 4 Ga.** x 3/8" Stud - Battery
	13	1115385	Heavy-Duty Dual-Conductor Plug
	14	1125214	External Master Disconnect Switch
	15	1125291	External Master Disconnect Switch Kit
		1704378	Dielectric Connector Protector (not shown)



WILL NEED PIC OF SMARTWIRE

*Includes dielectric connector protector.

**AutoTrap™ and MaxxTrap™ use 4-gauge wire.

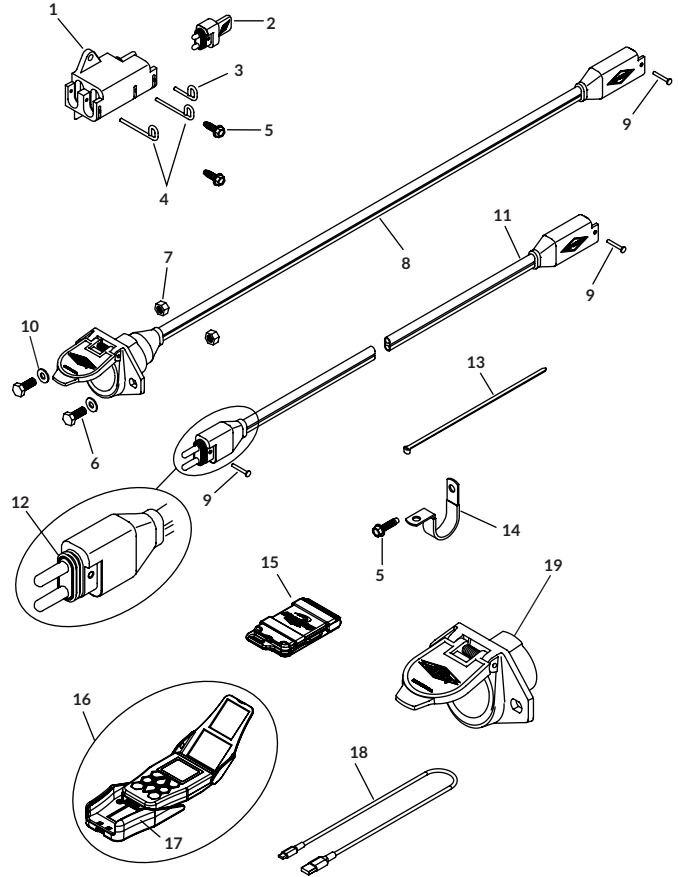
GENUINE SMARTRAILER™ REPLACEMENT PARTS

AUTOTRAP™/MAXXTRAP™/PROTRAP® – SMARTWIRE™ ELECTRICAL

PRICE	ITEM	PART #	DESCRIPTION
SMARTwire™ COMPONENTS			
	1120849		Junction Block Kit w/Harness Plug [Includes 1; 2; 3; 2 of 4 & 5]
	1120848		Junction Block Kit w/o Harness Plug [Includes 1; 3; 2 of 4 & 5]
	1125580		SMARTwire™ Dual-Conductor Socket w/Hardware [Includes 8; 9; 2 of 6, 7 & 10]
	1120851		Wiring Retaining Hardware w/Locking Pin* [Includes 9; 4 of 5 & 14]
	1120906		Wiring Retaining Hardware* [Includes 4 of 5 & 14]
	1	1704695	Harness Junction Block
	2	1704717	Wire Harness Rubber Plug
	3	1704711	Harness Lock Pin - Short
	4	1704696	Harness Lock Pin - Long
	5	1704338	Self-Tapping Screw - 1/4" x 1"
	6	1701045	Hex Head Cap Screw - 5/16" x 3/4"
	7	1704946	Top Lock Flange Nut - 5/16"
	8	1120670	SMARTwire™ Dual-Conductor Socket - 6 Ga. x 3'6"
		1126944	SMARTwire™ Dual-Conductor Socket - 4 Ga. x 3'6"
	9	1704751	Harness Lock Pin - 1/4" x 7/8"
	10	1700427	Flat Washer - 1/4"
	11	1704874	SMARTwire™ - 6 Ga. - Plug/Socket - 8'
		1704827	SMARTwire™ - 6 Ga. - Plug/Socket - 16'
		1704704	SMARTwire™ - 6 Ga. - Plug/Socket - 25'
		1704888	SMARTwire™ - 4 Ga.** - Plug/Socket - 25'
		1705108	SMARTwire™ - 4 Ga.** - Plug/Socket - 30'
	12	1704720	Wire Harness Seal
	13	1703231	Cable Tie - 8"
	14	1702108	Wire Clip - 3/4" ID
		1704378	Dielectric Connector Protector (not shown)
REMOTES			
	15	1131576	ShurLink EZR™ Remote
		1704569	Carabiner Key Strap (not shown)
	16	1131575	ShurLink PRO™ Remote w/Cradle/Charging Cable
	17	1131764	ShurLink PRO™ Remote Cradle
	18	1706836	ShurLink PRO™ Charging Cable
	19	1704978	Dual Conductor Housing - Female

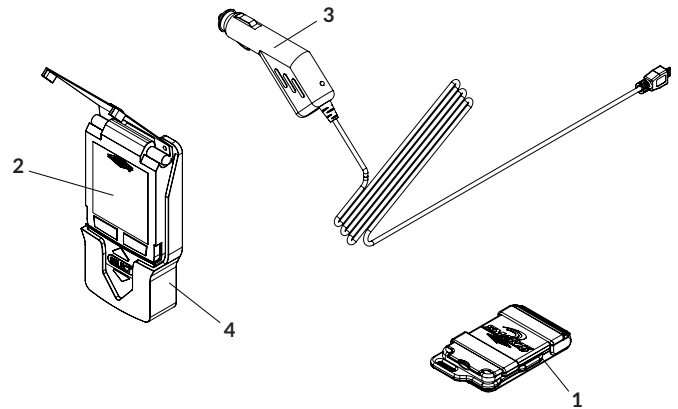
*Includes dielectric connector protector.

**AutoTrap™ and MaxxTrap™ use 4-gauge SMARTwire™.

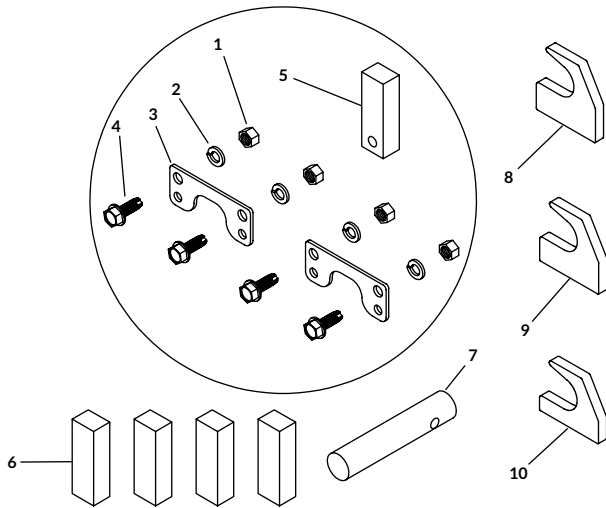


ELECTRIC HOPPERS – SMART3™ & SMART2™

PRICE	ITEM	PART #	DESCRIPTION
REPLACEMENT COMPONENTS			
	1	1126867	SMART3™ Remote
	2	1122231	SMART2™ Remote w/Cradle
	3	1707314	SMART2™ Charging Cable USB - A-Male to Micro B - 3'
	4	1124305	SMART2™ Remote Cradle



AUTOTRAP™/PROTRAP® – TRAILER MOUNTS



PRICE	ITEM	PART #	DESCRIPTION
FOR DAKOTA TRAILERS			
		1118337	Hopper Parts Kit* [Includes 5; 2 of 3; 4 of 1, 2 & 4]
	1	1700407	Hex Nut - 3/8"
	2	1700434	Lock Washer - 3/8"
	3	1118305	Bearing Retainer
	4	1700400	Self-Tapping Screw - Non Corrosive Coating - 3/8" x 1"
	5	1118306	Door Stop - 3" x 1"
FOR TIMPTE TRAILERS			
		1118338	Hopper Parts Kit* [Includes 4 of 6]
	6	1118307	Door Stop - 3" x 1"
FOR CORNHUSKER TRAILERS			
		1118339	Hopper Parts Kit* [Includes 7]
	7	1118308	Adapter Shaft
FOR NEVILLE TRAILERS			
		1118872	Hopper Parts Kit* [Includes 4 of 8]
	8	1120472	Stop Hook - 1"
HIGH HOOKS			
		1118870	Hopper Parts Kit* - High [Includes 4 of 9]
	9	1118585	Stop Hook - 1-1/8"
HIGH & LOW HOOKS			
		1118871	Hopper Parts Kit* - High & Low [Includes 4 of 9 & 10]
	10	1118745	Stop Hook - 5/8"

*Includes instructions.

DRAWINGS NEEDED

TRAPADAPT™ – HOPPER DRIVE SHAFT & ADAPTERS

PRICE	ITEM	PART #	DESCRIPTION
		1128242	TrapAdapt™ LED Light Kit
	1	1128525	TrapAdapt™ Hopper Drive Shaft*
	2	1128517	TrapAdapt™ Hopper Drive Adapter - #1**
	3	1128519	TrapAdapt™ Hopper Drive Adapter - #2***
	4	1128521	TrapAdapt™ Hopper Drive Adapter - #3****
	5	1128524	TrapAdapt™ Hopper Drive Adapter - #4*****
	6	1705344	Wire Clip - 1/2" ID

*Compatible w/Wilson, Timppte, Stoughton, Mauerer, Merritt, Neville and KBH

**Compatible w/Cornhusker

***Compatibe w/Jet

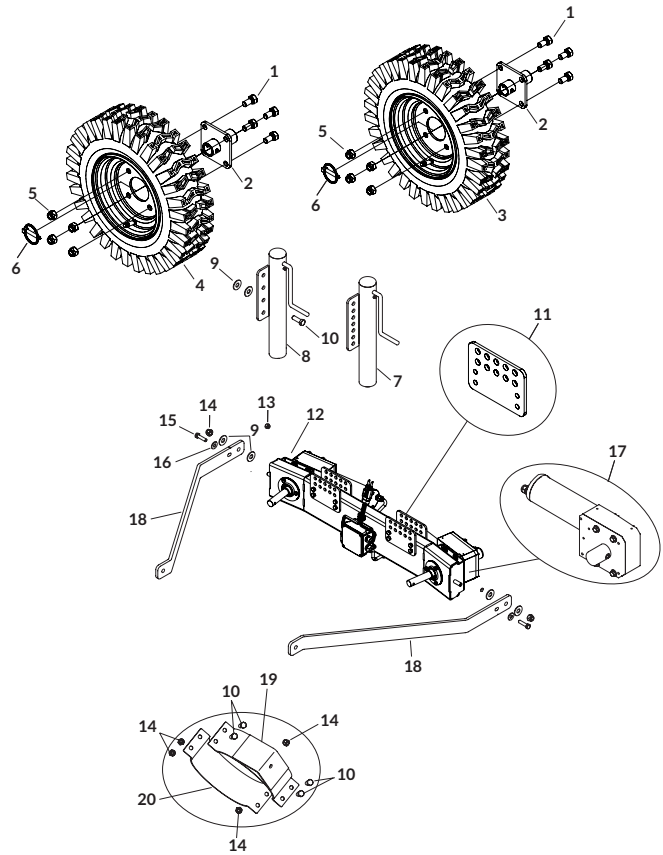
****Compatible qw/Dakota/Trail King

*****Compatible w/Lode King and Doepker Industries

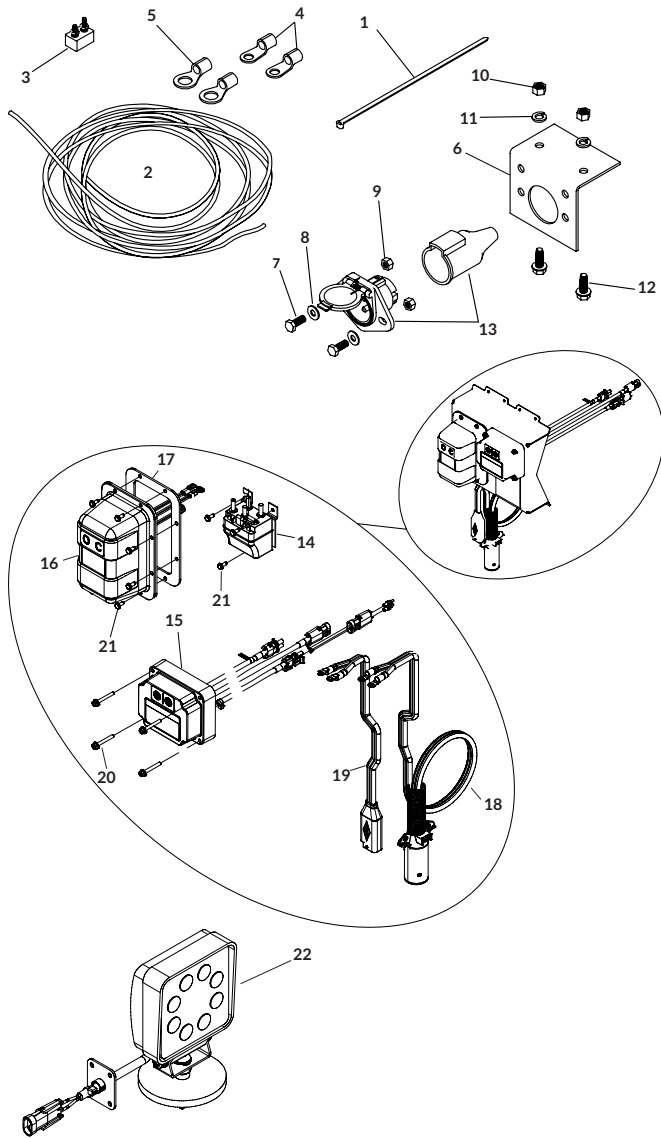
GENUINE SMARTRAILER™ REPLACEMENT PARTS

DRIVEMAXX™

PRICE	ITEM	PART #	DESCRIPTION
		1130023	DriveMaxx™ Main Beam Assembly [Includes 12; 2 of 17; 4 of 11]
		1127230	Wheel Assembly - Counterclockwise [Includes 2; 4; 6; 4 of 1 & 5]
		1127234	Wheel Assembly - Clockwise [Includes 2; 3; 6; 4 of 1 & 5]
		1127278	Assembly Hardware - DriveMaxx™ [Includes 2 of 13, 15, 16; 8 of 10; 12 of 14; 30 of 9]
		1131372	Wheel Assembly Hardware - DriveMaxx™ [Includes 2; 6; 4 of 1 & 5]
	1	1702075	Hex Head Cap Screw - 1/2" x 1-1/2"
	2	1127231	Wheel Hub
	3	1705966	Wheel - Clockwise
	4	1705965	Wheel - Counterclockwise
	5	1702115	Nylon Lock Hex Nut - 1/2"
	6	1705968	Lynch Pin - 5/16" x 1-3/4" - Zinc
	7	1128578	Jack - Dual
	8	1127235	Jack - Single
	9	1705911	Flat Washer - 1/2"
	10	1705920	Cap Screw - 1/2" x 1-1/2"
	11	1130025	Jack Mount Plate
	12	1130228	DriveMaxx™ Main Beam Weldment
	13	1705918	Nylon Lock Nut - 3/8"
	14	1705913	Nylon Lock Nut - 1/2"
	15	1705910	Cap Screw - 3/8" x 1-1/2"
	16	1705921	Flat Washer - 3/8" - USS
	17	1124591	AutoTrap™/MaxxTrap™ Motor
	18	1127464	Drive Brace - 10" to 11"
		1127468	Drive Brace - 11" to 12"
		1127229	Drive Brace - 12" to 13"
		1127424	Drive Brace - 13" to 14"
		1127273	Drive Brace - 14" to 15"
		1127425	Drive Brace - 15" to 16"
		1127274	Drive Brace - 16" to 17"
		1127426	Drive Brace - 17" to 18"
		1127275	Drive Brace - 18" to 19"
		1128621	Drive Brace - 19" to 20"
		1128622	Drive Brace - 20" to 21"
	19	1127291	Tube Band w/Jack Mount - 8"
		1127250	Tube Band w/Jack Mount - 10"
		1127252	Tube Band w/Jack Mount - 12"
		1127293	Tube Band w/Jack Mount - 13"
		1127254	Tube Band w/Jack Mount - 14"
		1127256	Tube Band w/Jack Mount - 16"
	20	1127282	Tube Band - 8"
		1127247	Tube Band - 12"
		1127283	Tube Band - 13"

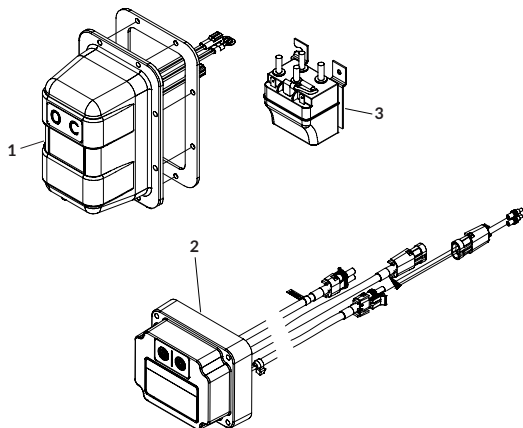


DRIVEMAXX™ - ELECTRICS



PRICE	ITEM	PART #	DESCRIPTION
		1132227	ShurLink™ Receiver Conversion Cover - Tarp - Non-Express
		1120823	Tractor Wiring Kit - 40 Amp - Wireless - 30' [Includes 2; 3; 6; 13; 2 of 4, 5, 7, 8, 9, 10, 11, 12; 16 of 1]
		1131774	ShurLink™ Receiver Box - Non-Express
		1120855	Breaker Hardware [Includes 3; 2 of 4 & 5; 15 of 1]
	1	1703231	Cable Tie - 8"
	2	1118495	Dual-Conductor Wire - 6 Ga. - 30'
	3	1704354	40-Amp Modified-Reset Circuit Breaker
	4	1703245	Ring Terminal - 6 Ga. x #10 Stud - Motor/Breaker
	5	1703244	Ring Terminal - 6 Ga. x 3/8" Stud - Battery
	6	1109015	Conductor Plug Mounting Bracket
	7	1701045	Hex Head Cap Screw - 5/16" x 3/4"
	8	1700427	Flat Washer - 1/4"
	9	1704946	Top Lock Flange Nut - 5/16"
	10	1700407	Hex Nut - 3/8"
	11	1700434	Lock Washer - 3/8"
	12	1700400	Self-Tapping Screw - 3/8" x 1" (non-corrosive coating)
	13	1119557	Heavy-Duty Dual-Conductor Socket w/Boot - Vertical Pin
	14	1705408	Motor-Reversing Solenoid
	15	1131658	ShurLink™ Control Module - Latching - On/Off w/ Safety Lockout
	16	1131674	ShurLink™ Solenoid Cover - Tarp - Non-Express
	17	1704309	Solenoid Cover Gasket
		1705791	Solenoid Cover Gasket - 1/4"
	18	1128684	Dual Conductor 6GA Wire Assembly - 16'
	19	1120817	SMARTwire™ - 6 Ga. - Socket x 1/4" Terminal - 6'3"
	20	1705412	Flange Cap Screw - #10 x 1-1/2"
	21	1704308	Flange Cap Screw - #10 x 1/2"
	22	1128572	Magnetic LED LiteALL™

DRIVEMAXX™ - SMART3™ & SMART2™



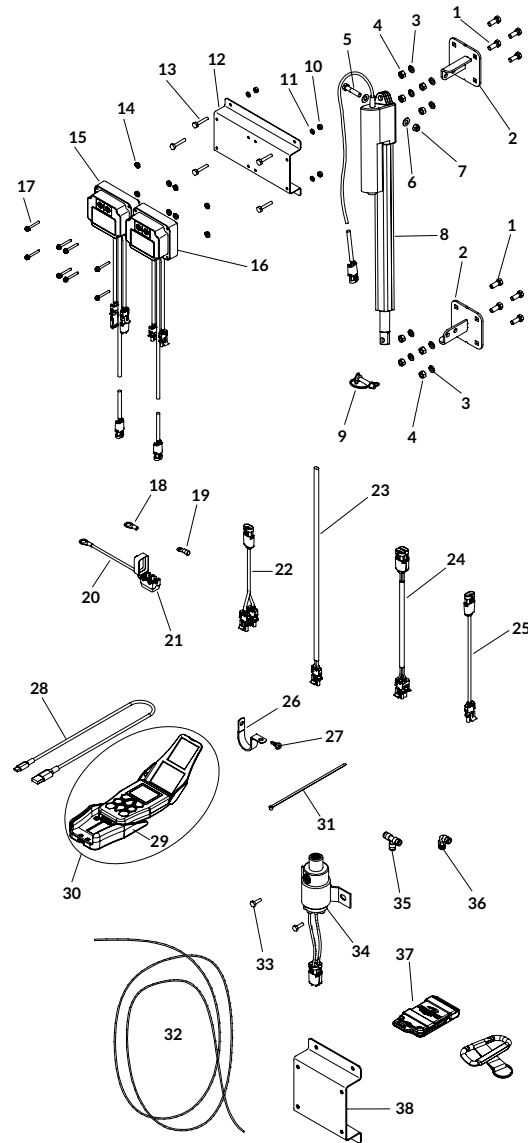
PRICE	ITEM	PART #	DESCRIPTION
			REPLACEMENT COMPONENTS
	1	1126881	SMART3™ Solenoid Cover w/Gasket - Tarp - Non-Express
		1127074	SMART2™ Solenoid Cover w/Gasket - Tarp - Non-Express
	2	1126893	SMART3™ Control Module - Latching - On/Off w/o Safety Lockout
		1122549	SMART2™ Control Module - Latching - On/Off w/o Safety Lockout
	3	1704312	Motor-Reversing Solenoid 12V - 3 Pt Mnt - Jumper Wire "Red"

ELECTRIC GATE/ELECTRIC HOIST

PRICE	ITEM	PART #	DESCRIPTION
		1124614	Air Fitting Hardware [Includes 4 of 35 & 36]
			Gate/Hoist Hardware [Includes 5; 7; 9;
		1124615	2 of 6; 4 of 13, 27 & 33; 8 of 1, 3, 4, 10, 11, 14 & 17;
			10 of 26 & 27; 40 of 31]
		1123212	Wire Retaining Hardware
	1	1705475	Elevator Bolt - 3/8" x 1"
	2	1124588	Actuator Mounting Bracket
	3	1700434	Lock Washer - 3/8"
	4	1700407	Hex Nut* - 3/8"
	5	1700369	Hex Head Cap Screw - 3/8" x 1-3/4"
	6	1701176	Flat Washer - 3/8" - SAE
	7	1701580	Nylon Lock Nut - 3/8"
	8	1128354	Gate Actuator - 12 Stroke w/2-Post WeatherPack™ **
	9	1704427	Wire Lock Pin - 3/8" x 1-3/4"
	10	1700408	Hex Nut - 1/4"
	11	1700436	Lock Washer - 1/4"
	12	1124231	Control Module Mounting Bracket*
	13	1700381	Hex Head Cap Screw - 1/4" x 1"
	14	1702653	Machine Screw Nut
	15	1131670	ShurLink™ Control Module - Momentary - Open/Closed
	16	1131671	ShurLink™ Control Module - Momentary - Up/Down
	17	1705412	Flange Cap Screw - #10 x 1-1/2"
	18	1705491	Ring Terminal - 10-12 Ga. x 3/8" Stud
	19	1704173	Ring Terminal - 10-12 Ga. x #10 Stud
	20	1124613	Power Wire w/Circuit Breaker
	21	1705513	6-Amp Modified-Reset Circuit Breaker**
	22	1122705	Output Splitter w/WeatherPack™
	23	1124454	Power Cable
	24	1124455	Hoist Control Cable
	25	1122704	Extension Cable w/WeatherPack™ - 20'
	26	1702108	Wire Clip - 3/4" ID
	27	1704338	Self-Tapping Screw - 1/4" x 1"
		1700398	Self-Drilling Screw - 1/4" x 3/4"
	28	1706836	ShurLink PRO™ Charging Cable
	29	1131764	ShurLink PRO™ Remote Cradle
	30	1131575	ShurLink PRO™ Remote w/Cradle/Charging Cable
	31	1703231	Cable Tie - 8"
	32	1705466	Air Brake Tube - 1/4"
	33	1704343	Hex Head Cap Screw - 1/4" x 1-1/2"
	34	1124867	Solenoid Air Valve - 3 Way
	35	1705516	Air Fitting - Union Tee - 1/4"
	36	1705515	Air Fitting - 90° Male Elbow - 1/4"
	37	1131576	ShurLink EZR™ Remote
	38	1125081	Control Module Mounting Bracket
		1704569	Carabiner Key Strap

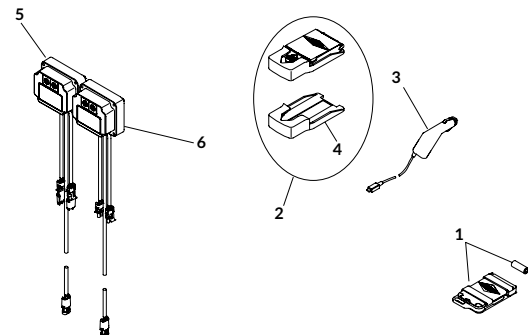
*Item 12 is optional; use with items 10, 11 and 13.

**If item 8 (P/N 1128354) is purchased for use with a non-Shur-Co® product, then item 21 (P/N 1705513) MUST also be purchased, or warranty for gate actuator is void.

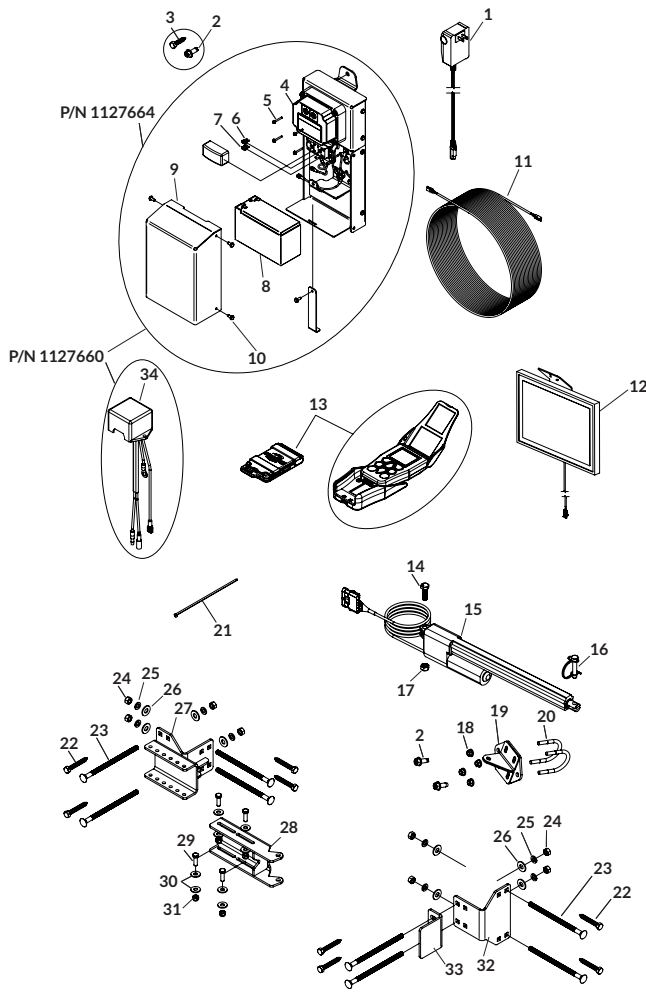


ELEC. GATE/ELEC. HOIST - SMART3™ & SMART2™

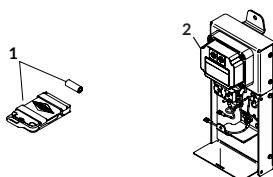
PRICE	ITEM	PART #	DESCRIPTION
			REPLACEMENT REMOTES
	1	1126867	SMART3™ Remote
	2	1122231	SMART2™ Remote w/Cradle
	3	1707314	SMART2™ Charging Cable USB - A-Male to Micro B - 3'
	4	1124305	SMART2™ Remote Cradle
			REPLACEMENT COMPONENTS
	5	1124669	SMART2™ Control Module - Momentary - Open/Closed
		1126890	SMART3™ Control Module - Momentary - Open/Closed
	6	1125225	SMART2™ Control Module - Momentary - Up/Down
		1126894	SMART3™ Control Module - Momentary - Up/Down



AUTOGATE™



PRICE	ITEM	PART #	DESCRIPTION
		1127664	Control Box - Trickle Charge [Includes 4; 6; 7; 8; 9; 4 of 5; 25 of 10]
		1127660	Control Box - Solar [Includes 4; 6; 7; 8; 9; 34; 4 of 5; 25 of 10]
		1128035	Gate Stop Hardware [Includes 32; 33; 4 of 22, 23, 24, 25 & 26]
		1128036	Hinge Post Bracket Hardware [Includes 4 of 22, 23, 24, 25, 26, 29 & 31; 8 of 30]
		1128037	U-Clamp Bracket Hardware [Includes 14; 16; 17; 19; 2 of 2; 4 of 18; 6 of 20]
		1128038	Solar Panel Mounting Hardware [Includes 4 of 2 & 22; 30 of 21]
		1128039	Control Box Mounting Hardware [Includes 2 of 2 & 3]
		1128387	Box Hardware - Trickle Charge Includes 14; 16; 17; 19; 27, 28, 32; 33; 2 of 3; 4 of 18, 29 & 31; 6 of 2 & 20; 8 of 22, 23, 24, 25, 26 & 30]
		1127913	Box Hardware - Solar [Includes 14; 16; 17; 19; 27, 28, 32; 33; 2 of 3; 4 of 18, 29 & 31; 6 of 20; 8 of 2, 23, 24, 25, 26 & 30; 12 of 22; 30 of 21]
	1	1128511	12 Volt Trickle Charger
	2	1700400	Self-Tapping Screw - 3/8" x 1" (non-corrosive coating)
	3	1706065	Lag Screw - 3/8" x 1-1/2"
	4	1131672	ShurLink™ Control Module - Trickle Charger
	5	1705412	Flange Cap Screw - #10 x 1-1/2"
	6	1705154	Mini Fuse - 10 Amp
	7	1706024	Mini Fuse - 15 Amp
	8	1706022	12 Volt Rechargeable Battery
	9	1127995	Battery Cover
	10	1704308	Flange Cap Screw - #10 x 1/2"
	11	1128480	Extension Cable - 100'
	12	1127657	Solar Panel Assembly
	13	1131576	ShurLink EZR™ Remote
		1131575	ShurLink PRO™ Remote w/Cradle/Charging Cable
	14	1706072	Cap Screw - M10 x 35mm
	15	1127655	Gate Actuator - 12 Stroke w/5-Post WeatherPack™
	16	1704427	Wire Lock Pin - 3/8" x 1-3/4"
	17	1705361	Hex Nut - M10
	18	1704931	Flanged Nylon Lock Nut - 5/16"
	19	1127898	Gate Bracket
	20	1706068	U-Bolt - 5/16" x 1-1/2" ID
		1706070	U-Bolt - 5/16" x 1-3/4" ID
		1706071	U-Bolt - 5/16" x 2" ID
	21	1703231	Cable Tie - 8"
	22	1706066	Lag Screw - 3/8" x 2-1/2"
	23	1706073	Carriage Bolt - 3/8" x 7"
	24	1700407	Hex Nut - 3/8"
	25	1700434	Lock Washer - 3/8"
	26	1700429	Flat Washer - 3/8"
	27	1127905	Hinge Post Bracket
	28	1127908	Hinge Post Slide Bracket
	29	1704416	Hex Head Cap Screw - 5/16" x 1"
	30	1700428	Flat Washer - 5/16"
	31	1700419	Nylon Lock Hex Nut - 5/16"
	32	1127904	Stop Plate Mounting Bracket
	33	1127902	Stop Plate
	34	1128057	Replacement Solar Controller



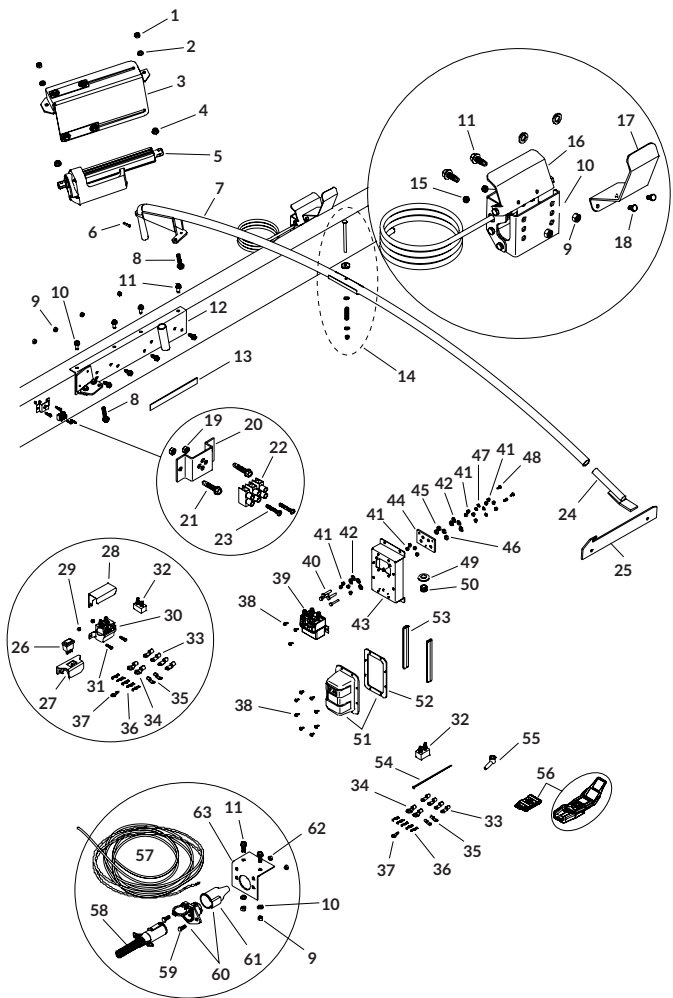
AUTOGATE™ – SMART3™ & SMART2™

PRICE	ITEM	PART #	DESCRIPTION
REPLACEMENT COMPONENTS			
	1	1126867	SMART3™ Remote
	2	1127656	SMART3™ Control Module - Trickle Charger

GENUINE SMARTRAILER™ REPLACEMENT PARTS

ELECTRIC TURNING POINT™ BOW

PRICE	ITEM	PART #	DESCRIPTION
		1132227	ShurLink™ Receiver Conversion Cover - Tarp - Non-Express
		1117641	Electrical Parts Kit w/Rocker Switch - 25-Amp Auto-Reset* [Includes 20; 22; 26; 27; 28; 30; 32; 37; 2 of 19, 23, 29, 31, 34 & 35; 4 of 21 & 33; 5 of 36]
		1131584	ShurLink™ Receiver - Turning Point™ - Non-Express
		1109016	Two-Pole Connector w/Hardware - Vertical Pin [Includes 54; 58; 60; 61; 2 of 9, 10, 11, 42, 59 & 62]
	1	1704181	Hex Nut - M12 x 1-3/4"
	2	1700437	Lock Washer - 1/2"
	3	1117633	Actuator Shield
	4	1704180	Flange Locking Nut - M12 x 1-3/4"
	5	1704130	Electric Linear Actuator
	6	1701118	Spring Pin - 1/4" x 1-3/16"
	7	1117623	Electric Turning Point™ Bow - 8" Rise
		1117622	Electric Turning Point™ Bow - 12" Rise
	8	1704179	Hex Flange Cap Screw - M12 x 60
	9	1700407	Hex Nut - 3/8"
	10	1700434	Lock Washer - 3/8"
	11	1700400	Self-tapping Screw - 3/8" x 1" (non-corrosive coating)
	12	1117628	Bow Pivot Bracket
	13	1107006	Pivot Bracket Spacer
	14	1110368	Bow Attachment Spring Assembly
	15	1704185	Nylon Lock Nut - 1/4"
	16	1117637	Limit Switch
	17	1117643	Contact Bracket Offset Adapter
	18	1703960	Hex Head Cap Screw - 1/4" x 1/2"
	19	1704184	Nylon Lock Nut - #6-32
	20	1117647	Terminal Block Mounting Bracket
	21	1701471	Self-Drilling Screw - #12 x 1"
	22	1704190	3-Circuit Terminal Block
	23	1704191	Machine Screw - 6-32 x 7/8"
	24	1105333	Bow Rest - 8" Rise
		1105327	Bow Rest - 12" Rise
	25	1105314	Bow Stop
	26	1116020	Rocker Switch
	27	1703661	Rocker Switch Mounting Bracket
	28	1703896	Solenoid Cover
	29	1701543	Nylon Lock Hex Nut - 1/4"
	30	1703845	Motor-Reversing Solenoid
	31	1704905	Hex Flange Cap Screw - #10 x 1"
	32	1704126	25-Amp Auto-Reset Circuit Breaker
	33	1704177	Ring Terminal - 8 Ga. x 1/4" Stud
	34	1704174	Ring Terminal - 8 Ga. x 3/8" Stud - Battery
	35	1704175	Ring Terminal - 8 Ga. x #10 Stud
	36	1703659	Push-On Terminal - 14 Ga. x 1/4" - Switch/Solenoid
	37	1704153	Ring Terminal - 14 Ga. x 1/4" Stud - Solenoid
	38	1702926	Hex Head Cap Screw - 5/16" x 7/8"
	39	1705408	Motor-Reversing Solenoid
	40	1704343	Hex Head Cap Screw - 1/4" x 1-1/2"
	41	1700408	Hex Nut - 1/4"
	42	1700427	Flat Washer - 1/4"
	43	1118296	Modular Control Bracket
	44	1118297	Insulating Plate
	45	1118037	Plastic Washer - Black
	46	1118250	Plastic Washer - Orange
	47	1700436	Lock Washer - 1/4"
	48	1704308	Flange Cap Screw - #10 x 1/2"
	49	1703282	Rubber Grommet - 1-1/4" Insert
	50	1701595	End Plug - 1"
	51	1131674	ShurLink™ Solenoid Cover - Tarp - Non-Express
	52	1704309	Solenoid Cover Gasket
		1705791	Solenoid Cover Gasket - 1/4"
	53	1704369	Trim Seal (per foot)
	54	1703231	Cable Tie - 8"
	55	1704330	Rubber Insulating Boot
	56	1131576	ShurLink EZR™ Remote
		1131575	ShurLink PRO™ Remote w/Cradle/Charging Cable
	57	1117654	Dual-Conductor Wire - 8 Ga. - 30'
		1117653	Dual-Conductor Wire - 8 Ga. - 50'
		1117652	Dual-Conductor Wire - 8 Ga. - 75'
		1117651	Dual-Conductor Wire - 8 Ga. - 100'
		1704125	Dual-Conductor Wire - 8 Ga. (per foot)
	58	1115385	Heavy-Duty Dual-Conductor Plug - Vertical Pin
	59	1701045	Hex Head Cap Screw - 5/16" x 3/4"



PRICE	ITEM	PART #	DESCRIPTION
	60	1119557	Heavy-Duty Dual-Conductor Socket w/Boot - Vertical Pin
	61	1704573	Sealing Boot - Socket Half Dual Conductor
	62	1704946	Top Lock Flange Nut - 5/16"
	63	1109015	Conductor Plug Mounting Bracket
	64	1704378	Dielectric Connector Protector (not shown)

*Includes dielectric connector protector.

ELEC. TURNING POINT™ - SMART3™ & SMART2™

PRICE	ITEM	PART #	DESCRIPTION
REPLACEMENT COMPONENTS			
	1	1126867	SMART3™ Remote
	2	1126881	SMART3™ Solenoid Cover w/Gasket - Tarp - Non-Express
	3	1704312	Motor-Reversing Solenoid

