

INDEX - 3

SHUR-CO® DISTRIBUTION CENTERS2

CABLE-LOK™ ROLL TARP APPLICATIONS

- Cable-Lok™ for Grain Carts and Wagons.....3
- Cable-Lok™ for Tenders and Spreaders.....4-7
- Cable-Lok™ for Farm Bodies8
- Cable-Lok™ for Belly Dumps.....9

REPLACEMENT TARPS 10

CABLE-LOK™ ELECTRICS 11-12

OPTIONS AND UPGRADES13-15

GENUINE REPLACEMENT PARTS16-33

CROSS-REFERENCE CHART34-35

Volume 44 Introduction of the ShurLink™ Wireless System.

ShurLink EZR™ | ShurLink PRO™



STANDARD v. OPTIONS

Each Shur-Co® system comes with standard features. These are bulleted (●) and noted as **Standard** in bold type under STANDARD FEATURES AND OPTIONS, like the telescoping nylon crank retainer (of which you receive one) below right. Any change from these standard features affects the cost of your system. This is noted as an “add,” “deduct” or no charge “N/C.”

If you replace the standard galvanized steel end caps with a set of aluminum end caps, for example, you’ll need to add to your total cost. If you opt to go without the standard 1" ridge strap(s), you would deduct per strap.

If you have questions on options and upgrades, there is a complete list of photos and descriptions (see pgs. 13-15).

NOTE: All prices in this catalog are subject to change without notice. All components other than standard may require a non-refundable \$100 special processing fee. Call for details.

CABLE-LOK™ FOR GRAIN CARTS AND WAGONS



Start with your box dimensions from the chart below, rounding up as needed. Using the STANDARD FEATURES AND OPTIONS chart at right, add or deduct as instructed for any changes from the bulleted (●) standard equipment.

The nylon spool with 18" galvanized cable combines strength with endurance. Ratchets let you adjust tarp tension; upgrade to the 42" cable ratchet for convenience at no extra charge.

Whichever crank arm you choose can be positioned at the side or the rear of the box for the lowest profile.

COMPLETE KITS Box Detail Sheet required; see Section 7

	BOX WIDTH					
	8'	8'6"	9'	10'	11'	12'
8'						
9'						
10'						
11'						
12'						
13'						
14'						
15'						
16'						
17'						
18'						
19'						
20'						
21'						
22'						
23'						
24'						

See REPLACEMENT TARP, pg. 10.

STANDARD FEATURES AND OPTIONS

TARP STOPS	
● Easy-Off Tarp Stops	Standard
6" Offset Easy-Off Tarp Stop	Add/Ea.
BOWS/BRACKETS	
● Galvanized Steel (LR/HR) Bows/Brackets – Standard 102" or Less	
● Galvanized X-Wide (HR/Flat*) Bows/Brackets – Standard 103" or More	
Add'l. Galvanized Steel (LR/HR) Bow (102" or Less)	Add/Ea.
Add'l. Galvanized X-Wide (HR) Bow (103" or More)	Add/Ea.
Add'l. Galvanized X-Wide (Flat*) Bow (103" or More)	Add/Ea.
Adjustable Bow Bracket – For Slanted w/Angle Ext.	Add/Ea.
END CAPS	
● Galvanized Steel (LR/HR) End Caps – Standard 102" or Less	
● Galvanized Steel (LR/HR) End Caps – Standard 103" or More	
Aluminum (LR/HR) End Caps (102" or Less)	Add/Set
RIDGE SUPPORTS	
● 1" Ridge Strap – Over 8'6" Gets 2	Standard
Additional 1" Ridge Strap (Up to 24')	Add/Ea.
No Ridge Strap	Deduct/Ea.
CRANK ARMS	
● Galvanized Telescoping/Indexing Crank (8'3" to 11'6")	Standard
Galvanized Telescoping/Indexing Crank (6'1" to 9'4")	
Galvanized Telescoping/Indexing Crank (9'7" to 12'10")	
Galvanized Crank - 1 Pc.	Deduct
RETAINERS	
● Telescoping Nylon Crank Retainer w/ Universal Crank Retainer Support Kit	Standard
Additional Telescoping Nylon Crank Retainer	Add
Telescoping Crank Retainer w/Standoff	Add
Crank Retainer w/Standoff – For 1-Pc. Crank	Deduct
No Universal Crank Retainer Support Kit	Deduct
SPOOLS/CABLES	
● Spool w/18" Galvanized Steel Cables/Ratchets	Standard
42" Galvanized Steel Cables/Ratchets	
ROLL TUBE/TARP ATTACHMENT	
● Ext. Alum. Roll Tube/Channeled Tarp Attachment	Standard
FIXED TUBE	
● Galvanized Steel Fixed Tube	Standard
TARP OPTIONS	
● 18-Oz. Vinyl Tarp – Choice of Color**	Standard

*Flat bows/caps work best installed on carts with tip-top extensions. To ensure water shed-ability, do NOT install on carts without extensions.

**Available colors: red, black, royal blue, white, yellow, green, orange, grape, maroon, tan, or gray.

HARDWARE QTY

SIZE	TARP STOPS	STANDARD BOWS
8' to 10'	3	2
11' to 14'	3	3
15' to 18'	3	4
19' to 22'	4	5
23' to 24'	4	6

CABLE-LOK™ FOR FERTILIZER TENDERS



Start with your box dimensions from the chart below, rounding up as needed. Using the STANDARD FEATURES AND OPTIONS chart at right, add or deduct as instructed for any changes from the bulleted (●) standard equipment.

Be sure to take note of all the stainless steel and powder-coated components that come standard on these kits. They give added durability to your system, helping to reduce the corrosion that goes hand-in-hand with hauling fertilizer.

COMPLETE KITS Box Detail Sheet required; see Section 7

SIZE	8'	8'6"
8'		
9'		
10'		
11'		
12'		
13'		
14'		
15'		
16'		
17'		
18'		
19'		
20'		
21'		
22'		
23'		
24'		

See REPLACEMENT TARPS, pg. 10.

STANDARD FEATURES AND OPTIONS

TARP STOPS		
● Powder-Coated Easy-Off w/Stainless Stop Body	Standard	
Powder-Coated Easy-Off w/Plated Steel Stop Body	Add/Ea.	
Powder-Coated 6" Offset EO w/Plated Steel Body	Add/Ea.	
BOWS/BRACKETS		
● Stainless Steel (LR/HR) Bows - Top Mount	Standard	
Stainless (LR/HR) Bow/Bracket - Std. Mount	Add/Ea.	
Galvanized (LR/HR) Bow/Bracket - Std. Mount	Deduct/Ea.	
No Stainless (LR/HR) Bow/Bracket - Top Mount	Deduct/Ea.	
ENDCAPS		
● Stainless Steel (LR/HR) End Caps	Standard	
Galvanized Steel (LR/HR) End Caps	Deduct/Set	
No Stainless (LR/HR) End Caps	Deduct/Set	
RIDGE SUPPORTS		
● Stainless Steel 1" Ridge Strap	Standard	
1" Ridge Strap w/Powder-Coated Components	Deduct/Ea.	
Add'l. Stainless Steel 1" Ridge Strap (Up to 24')	Add/Ea.	
Add'l. 1" Ridge Strap w/Powder-Coated (Up to 24')	Add/Ea.	
No Stainless Steel Ridge Strap	Deduct/Ea.	
CRANK ARMS		
● Stainless Telescoping/Indexing Crank (6'1" to 9'4")	Standard	
Stainless Telescoping/Indexing Crank (4'9" to 7'10")		
Stainless Telescoping/Indexing Crank (8'3" to 11'6")		
Stainless Crank - 1 Pc.	Deduct/Ea.	
RETAINERS		
● Telescoping Nylon Crank Retainer		
Additional Telescoping Nylon Crank Retainer	Add	
Telescoping Crank Retainer w/Stainless Standoff	Add	
Stainless Crank Retainer w/Standoff - For 1-Pc. Crank	Deduct	
SPOOLS/CABLES		
● Spool w/18" Stainless Steel Cables/Ratchets	Standard	
42" Stainless Steel Cables/Ratchets		
ROLL TUBE/TARP ATTACHMENT		
● Ext. Alum. Roll Tube/Channeled Tarp Attachment	Standard	
FIXED TUBE		
● Stainless Steel Fixed Tube	Standard	
TARP OPTIONS		
● 18-Oz. Vinyl Tarp - Choice of Color*	Standard	

*Available colors: red, black, royal blue, white, yellow, green, orange, grape, maroon, tan, or gray.

HARDWARE QTY

SIZE	TARP STOPS	STANDARD BOWS
8' to 10'	3	2
11' to 14'	3	3
15' to 18'	3	4
19' to 22'	4	5
23' to 24'	4	6

Manual Operation - Operating the tarp system typically from the rear of the machine using a telescoping crank handle.

Rocker - Uses the Durabuilt™ Motor. Operate the tarp system by utilizing a rocker switch inside the cab.

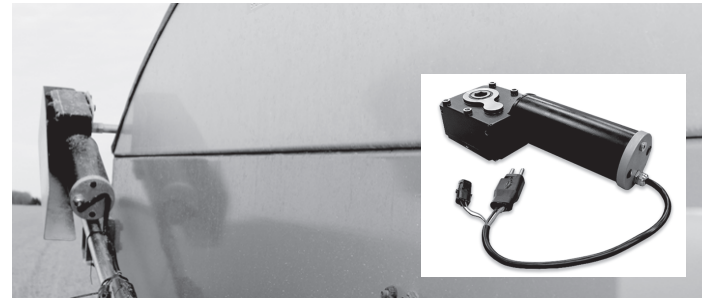
ShurLink™ - Uses the Durabuilt™ Motor. Operate the tarp system by ShurLink EZR™, ShurLink PRO™ remotes or by utilizing the buttons on the receiver located on the spreader box. *The Express Mode feature is NOT compatible with this option.*

CommandCenter™ - Uses the sealed SMARTdrive™ motor. Operate the tarp system within the cab utilizing the CommandCenter™ touch screen or by pressing the buttons on the ShurLink™ receiver located on the spreader box. One push of the button will open and close tarp system automatically in Express Mode. *NOTE: The ShurLink™ receiver can operate the tarp without powering or booting up the CommandCenter™.*

Rocker Express - Uses the sealed SMARTdrive™ motor. Operate the tarp system in Express Mode by utilizing the express rocker switch located inside the cab or by pressing the buttons on the ShurLink™ receiver located on the spreader box. One push of the button will open and close tarp system automatically in Express Mode.

ShurLink™ Express - Uses the sealed SMARTdrive™ motor. Operate the tarp system in Express Mode by ShurLink EZR™, ShurLink PRO™ remotes or by utilizing the buttons on the ShurLink™ receiver located on the spreader box. One push of the button on remote or receiver box will open and close tarp system automatically in Express Mode.

EXCLUSIVE SMARTdrive™ SYSTEM



No more crimped ends. No corrosion. No ring terminals.

Shur-Co's SMARTdrive™ features SMARTwire™ sealed connections. Hex-through-bore design allows motor to float on shaft, reducing motor stress. Encoder wire features automatic shutdown for motor and system protection. ShurLink™ remotes with single-touch "Express Mode" are easy to operate: PRO provides positional feedback while EZR™ has an app allowing you to customize system parameters and behavior using your Smartphone. *NOTE: 3-year warranty on motor. 1-year warranty on electrical components.*

Call for pricing.

APPLICATOR CHART

DS35 same as DN495
 DS20 same as DN456
 DS30 same as DN485
 AB30 same as AB485

JOHN DEERE MODELS Current Boxes | Price of Kit INCLUDES Tarp

CHASSIS	APPLI-CATOR	SPIN	BOX SIZE	BIN TYPE	MANUAL	PRICE	SMARTDRIVE™ MOTOR				BLACK	YELLOW	GREEN
							COMMAND-CENTER™ ***	PRICE	ROCKER EXPRESS***	PRICE			
800R	DS35	G5	14'x102"	1-2 Bin	No Option	----	1131752		1131742		1901831	1901832	1901656
			11'8"x102"	3-4 Bin		----	1131753		1131750		1901828	1901829	1901657
	DS35	G4	14'x102"	1-2 Bin	1126989		1131756		1131742		1901831	1901832	1901656
			11'8"x102"	3-4 Bin	1126992		1131757		1131750		1901828	1901829	1901657
	AB30	G4	12'x89"	1 Bin	No Option	----	1131758 *		1131743 *		1901858	1902092	1902093
600R, 612R & 616R	DS30	G5	11'x120"	1-2 Bin	No Option	----	No Option	----	No Option	----	1901922	1902060	1901586
	DS30	G4			1126997		1131760		1131745				
400R, 408R, 410R, 412R, 600R, 612R & 616R	DS20	G5	11'x96"	1-2 Bin	No Option	----	No Option	----	No Option	----	1901921	1902061	1901585
	DS20	G4			1131761 **		1131762		1131751				
							1131763 **		1131754 **				

*Window built into end cap.

**Model year is older than 2020.

***Can be upgraded to ShurLink™ remote by ordering P/N 1131576 (EZR™) or P/N 1131575 (PRO).

NOTE: Boxes with Multi-Applier are dimensionally the same as single-bin configurations.

NOTE: Boxes with Multi-Bin configurations are actually 2'4" shorter than provided dimension.

JOHN DEERE MODELS Legacy Boxes | Price of Kit INCLUDES Tarp

CHASSIS	APPLI-CATOR**	SPIN	BOX SIZE	BIN TYPE	MANUAL	PRICE	DURABUILT™ MOTOR				SMARTDRIVE™ MOTOR				BLACK	YELLOW	GREEN
							ROCKER	PRICE	EZR™	PRICE	ROCKER EXPRESS***	PRICE	EZR™ EXPRESS	PRICE			
4920 4930 4940	L3020 L3220	G4	11'x96"	1-2 Bin	1119354		1119357*		1131713*		1131746		1131721		1901101	1901104	1901834
	L3030 L2020														G4	11'x120"	1-2 Bin
R4030 R4038 R4044 R4045 R4060	NL200	G4	11'x96"	1-2 Bin	1119354		1119357*		1131713*		1131746		1131721				
R4044 R4045 R4060	NL300	G4	11'x120"	1-2 Bin	1119355		1119358*		1131714*		CALL	----	1131722		1901102	1901105	1901835
Tractor Pulled	DN345	G4	16'x102"	1-2 Bin	1119356		1119359*		1131719*		CALL	----	CALL	N/A	1901103	1901106	1901836

* Will NOT operate in Express Mode.

**Easy-off end caps provided with these models; NO fasteners needed.

***Can be upgraded to ShurLink™ remote by ordering P/N 1131576 (EZR™) or P/N 1131575 (PRO).

NOTE: Boxes with Multi-Applier are dimensionally the same as single-bin configurations.

Use the above chart to select kit configuration. Additional boxes available upon request. For Bow Divider Kit pricing see pages 8-28 & 8-29 (1128156, 1129163, and 1129521)

CABLE-LOK™ FOR FERTILIZER SPREADERS

NEW LEADER MODELS Price of Kit INCLUDES Tarp

APPLICATOR	SPINNER	BOX SIZE	BIN TYPE	MANUAL	PRICE	DURABUILT™ MOTOR				SMARTDRIVE™ MOTOR				TARP CODE **
						ROCKER*	PRICE	EZR™**	PRICE	ROCKER EXPRESS***	PRICE	EZR™ EXPRESS	PRICE	
NL5000	G5	13' x 102"	1-2 Bin	No Option	-----	1129693		1129700		1129644		1129718		CL 1200 119
	G5	10'8" x 102"	3-4 Bin	No Option	-----	1129711		1129723		1129669		1129731		CL 0908 119
	G5	14' x 102"	1-2 Bin	No Option	-----	1129721		1131723		1129655		1129704		CL 1300 119
	G5	11'8" x 102"	3-4 Bin	No Option	-----	1129695		1129729		1129676		1129726		CL 1008 119
L4000	G4	13' x 102"	1-2 Bin	1129649		1129693		1129700		1129644		1129718		CL 1200 119
	G4	14' x 102"	1-2 Bin	1129664		1129721		1131723		1129655		1129704		CL 1300 119
	G4	11'8" x 102"	3-4 Bin	1129684		1129695		1129729		1129676		1129726		CL 1008 119
NL4500	G4 Edge	11'9" x 102"	1-2 Bin	1129642		1129732		1131724		1129648		1129702		CL 1009 119
	G4 Edge	12'9" x 102"	1-2 Bin	1129706		1129724		1129769		1129777		1129772		CL 1109 119
	G4 Edge	13'9" x 102"	1-2 Bin	1129708		1129747		1129764		1129784		1129767		CL 1209 119
	G4 Edge	14'9" x 102"	1-2 Bin	1129643		1129727		1129701		1129663		1129719		CL 1309 119
	G4 Edge	15'9" x 102"	1-2 Bin	1129650		1129722		1129716		1129654		1129720		CL 1409 119

*Will NOT operate in express mode.

**Available colors: red, black, royal blue, white, yellow, green, orange, maroon, tan, or gray.

***Can be upgraded to ShurLink™ remote by ordering P/N 1131576 (EZR™) or P/N 1131575 (PRO).

NOTE: Boxes with Multi-Applier are dimensionally the same as single-bin configurations.

NOTE: Boxes with Multi-Bin configurations are actually 2'4" shorter than provided dimension.

Use the above chart to select kit configuration. Additional boxes available upon request.

CASE IH MODELS Price of Kit INCLUDES Tarp

CHASSIS	APPLICATOR	SPINNER	BOX SIZE	BIN TYPE	MANUAL	PRICE	DURABUILT™ MOTOR				SMARTDRIVE™ MOTOR				TARP CODE **
							ROCKER*	PRICE	EZR™**	PRICE	ROCKER EXPRESS***	PRICE	EZR™ EXPRESS	PRICE	
Trident	NL5000	G5	11'9" x 102"	1-2 Bin	No Option	-----	1129734		1131727		1131727		1131728		CL 1009 119
		G5	9'5" x 102"	3-4 Bin	No Option	-----	1129745		1129757		1129757		1129771		CL 0805 119
	NL4500T	G4 Edge	11'9" x 102"	1-2 Bin	1129651		1129734		1131727		1131727		1131728		CL 1009 119
		G4 Edge	9'5" x 102"	3-4 Bin	1129687		1129745		1129757		1129757		1129771		CL 0805 119
Titan	NL5000	G5	14' x 102"	1-2 Bin	No Option	-----	1129740		1129754		1129754		1129765		CL 1300 119
		G5	11'8" x 102"	3-4 Bin	No Option	-----	1129748		1129763		1129763		1129768		CL 1008 119
	NL4500	G4 Edge	14' x 102"	1-2 Bin	1129645		1129740		1129754		1129754		1129765		CL 1300 119
		G4 Edge	11'8" x 102"	3-4 Bin	1129688		1129748		1129763		1129763		1129768		CL 1008 119

*Will NOT operate in express mode.

**Available colors: red, black, royal blue, white, yellow, green, orange, maroon, tan, or gray.

***Can be upgraded to ShurLink™ remote by ordering P/N 1131576 (EZR™) or P/N 1131575 (PRO).

NOTE: Boxes with Multi-Applier are dimensionally the same as single-bin configurations.

NOTE: Boxes with Multi-Bin configurations are actually 2'4" shorter than provided dimension.

Use the above chart to select kit configuration. Additional boxes available upon request.

AGCO MODELS Price of Kit INCLUDES Tarp

CHASSIS	APPLI-CATOR	SPINNER	BOX SIZE	BIN TYPE	MANUAL	PRICE	DURABUILT™ MOTOR				SMARTDRIVE™ MOTOR				TARP CODE **
							ROCKER*	PRICE	EZR™*	PRICE	ROCKER EXPRESS***	PRICE	EZR™ EXPRESS	PRICE	
TerraGator	NL5000	G5	14' x 102"	1-2 Bin	No Option	-----	1129735		1129738		1129690		1129741		CL 1300 119
		G5	11'8" x 102"	3-4 Bin	No Option	-----	1129737		1129755		1129694		1129770		CL 1008 119
	NL4500	G4	14' x 102"	1-2 Bin	1129703		1129735		1129738		1129690		1129741		CL 1300 119
		G4	11'8" x 102"	3-4 Bin	1129692		1129737		1129755		1129694		1129770		CL 1008 119
		G4	15' x 102"	1-2 Bin	1129710		1129779		1129758		1129705		1129742		CL 1400 119
		G4	12'8" x 102"	3-4 Bin	1129707		1129744		1129739		1129699		1129773		CL 1108 119
RoGator	NL5258	G5	11' x 117"	1-2 Bin	No Option	-----	1129749		1131729		1129714		1129743		CL 1000 131
	NL5300	G5	11' x 117"	1-2 Bin	No Option	-----	1129752		1129766		1129691		1129775		CL 1000 131
	NL4258	G4 Edge	11' x 117"	1-2 Bin	1129689		1129749		1131729		1129714		1129743		CL 1000 131
	NL4330	G4 Edge	11' x 117"	1-2 Bin	1129696		1129752		1129766		1129691		1129775		CL 1000 131

*Will NOT operate in express mode.

**Available colors: red, black, royal blue, white, yellow, green, orange, maroon, tan, or gray.

***Can be upgraded to ShurLink™ remote by ordering P/N 1131576 (EZR™) or P/N 1131575 (PRO).

NOTE: Boxes with Multi-Applier are dimensionally the same as single-bin configurations.

NOTE: Boxes with Multi-Bin configurations are actually 2'4" shorter than provided dimension.

Use the above chart to select kit configuration. Additional boxes available upon request.

CABLE-LOK™ FOR FARM BODIES



Start with your box dimensions from the chart below, rounding up as needed. Using the STANDARD FEATURES AND OPTIONS chart at right, add or deduct as instructed for any changes from the bulleted (●) standard equipment.

Our easy-off tarp stops let you remove the tarp with minimal tools in the shortest amount of time. An upgrade to 6" easy-off tarp stops will store the tarp off to the side of the top rail.

COMPLETE KITS Box Detail Sheet required; see Section 7

SIZE	8'	8'6"
8'		
9'		
10'		
11'		
12'		
13'		
14'		
15'		
16'		
17'		
18'		
19'		
20'		
21'		
22'		
23'		
24'		

See REPLACEMENT TARPS, pg. 10.

STANDARD FEATURES AND OPTIONS

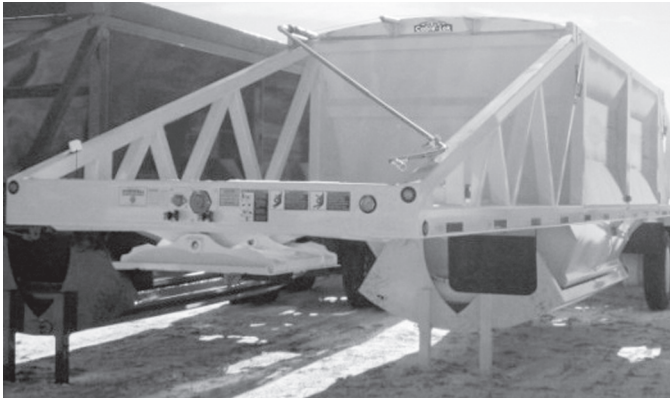
TARP STOPS	
● Easy-Off Tarp Stops	Standard
6" Offset Easy-Off Tarp Stop	Add/Ea.
BOWS/BRACKETS	
● Galvanized Steel (LR/HR) Bows/Brackets	Standard
Additional Galvanized Steel (LR/HR) Bow/Bracket	Add/Ea.
No Galvanized Steel (LR/HR) Bow/Bracket	Deduct/Ea.
END CAPS	
● Galvanized Steel (LR/HR) End Caps	Standard
Aluminum (LR/HR) End Caps	Add/Set
RIDGE SUPPORTS	
● 1" Ridge Strap	Standard
Additional 1" Ridge Strap (Up to 24')	Add/Ea.
No Ridge Strap	Deduct/Ea.
CRANK ARMS	
● Galvanized Telescoping/Indexing Crank (6'1" to 9'4")	Standard
Galvanized Telescoping/Indexing Crank (4'9" to 7'10")	
Galvanized Telescoping/Indexing Crank (8'3" to 11'6")	
Galvanized Short Crank - 1 Pc.	Deduct
RETAINERS	
● Telescoping Nylon Crank Retainer*	Standard
Additional Telescoping Nylon Crank Retainer	Add
Telescoping Crank Retainer w/Standoff	Add
Crank Retainer w/Standoff - For 1-Pc. Crank	Deduct
SPOOLS/CABLES	
● Spool w/18" Galvanized Steel Cables/Ratchets	Standard
42" Galvanized Steel Cables/Ratchets	N/C
ROLL TUBE/TARP ATTACHMENT	
● Ext. Alum. Roll Tube/Channeled Tarp Attachment	Standard
FIXED TUBE	
● Galvanized Steel Fixed Tube	Standard
TARP OPTIONS	
● 18-Oz. Vinyl Tarp - Choice of Color**	Standard

*You ONLY receive one (1) crank retainer as standard equipment for this system.

**Available colors: red, black, royal blue, white, yellow, green, orange, grape, maroon, tan, or gray.

HARDWARE QTY

SIZE	TARP STOPS	STANDARD BOWS
8' to 10'	3	2
11' to 14'	3	3
15' to 18'	3	4
19' to 22'	4	5
23' to 24'	4	6



Start with your box dimensions from the chart below, rounding up as needed. Using the STANDARD FEATURES AND OPTIONS chart at right, add or deduct as instructed for any changes from the bulleted (●) standard equipment.

Our easy-off tarp stops let you remove the tarp with minimal tools in the shortest amount of time. An upgrade to 6" easy-off tarp stops will store the tarp off to the side of the top rail while the flexible versions of both are impact and abrasion resistant, bending even in subzero temperatures.

COMPLETE KITS Box Detail Sheet required; see Section 7

SIZE	(Up to 8'6" Width)
10'	
11'	
12'	
13'	
14'	
15'	
16'	
17'	
18'	
19'	
20'	
21'	
22'	

NOTE: MUST have 8" extensions.

See REPLACEMENT TARPS, pg. 10.

STANDARD FEATURES AND OPTIONS

TARP STOPS	
● Easy-Off Tarp Stops	Standard
6" Offset Easy-Off Tarp Stop	Add/Ea.
Flexible Easy-Off Tarp Stop	Add/Ea.
6" Offset Flexible Easy-Off Tarp Stop	Add/Ea.
BOWS/BRACKETS	
● No Bows/Brackets	Standard
Durabow™ w/Galvanized Steel Bracket	Add/Ea.
Durabow™ w/Aluminum Bracket	Add/Ea.
Heavy-Duty (LR/HR) Bows/Bracket	Add/Ea.
END CAPS	
Galvanized Steel (LR/HR) End Caps	Add/Set
● Heavy-Duty Aluminum Inverted Caps	Standard
RIDGE SUPPORTS	
● No Ridge Strap	Standard
1" Ridge Strap (Up to 24')	Add/Ea.
CRANK ARMS	
● Galv. Telescoping/Indexing Crank (9'7" to 12'10")	Standard
Galvanized Telescoping Crank (14'3" to 17')	Add
RETAINERS	
● Telescoping Nylon Crank Retainers*	Standard
Additional Telescoping Nylon Crank Retainer	Add
Telescoping Crank Retainer w/Standoff	Add
SPOOLS/CABLES	
● Spool w/18" Galvanized Steel Cables/Ratchets	Standard
42" Galvanized Steel Cables/Ratchets	N/C
ROLL TUBE/TARP ATTACHMENT	
● Ext. Alum. Roll Tube/Channeled Tarp Attachment	Standard
FIXED TUBE	
● Galvanized Steel Fixed Tube	Standard
TARP OPTIONS	
● 18-Oz. Vinyl Tarp - Choice of Color*	Standard

HARDWARE QTY

*You ONLY receive one (1) crank retainer as standard equipment for this system.

**Available colors: red, black, royal blue, white, yellow, green, orange, grape, maroon, tan, or gray.

SIZE	TARP STOPS	HD BOWS	STANDARD BOWS
10' to 14'	3	2	2
15' to 18'	3	2	3
19' to 22'	4	2	4

CABLE-LOK™ REPLACEMENT TARPS

TARP SIZE*	BOX WIDTH					
	8'	8'6"	9'	10'	11'	12'
7'						
8'						
9'						
10'						
11'						
12'						
13'						
14'						
15'						
16'						
17'						
18'						
19'						
20'						
21'						
22'						
23'						

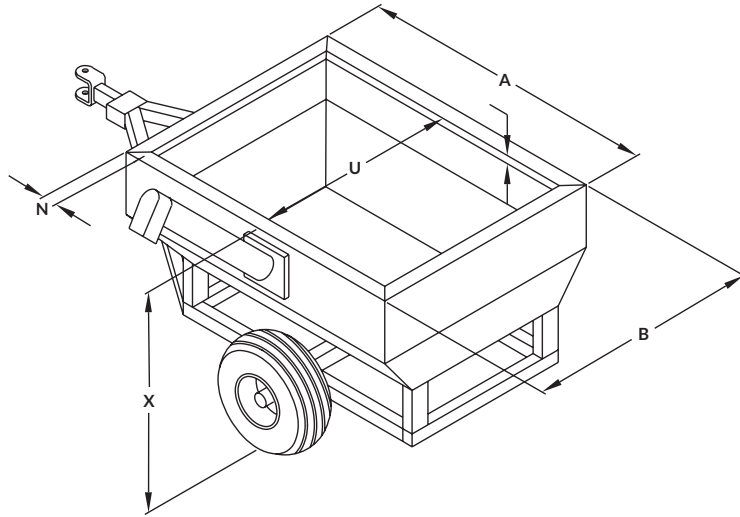
*Box length required to determine tarp length. End cap height is needed to determine tarp width.

NOTE: Typical tarp length is 1' LESS than box length. For a belly dump with inverted end caps, tarp length will be 1' GREATER than box length.

PRICING DIRECTIONS: Pricing given above is for black ONLY. For all other colors, add a 15% upcharge to the price of the tarp. Additional available colors: royal blue, white, red, yellow, green, orange, grape, maroon, tan, or gray.

BOX DETAIL SHEET FOR 4500 SERIES HD FOR GRAIN CARTS

CORRECT PHYSICAL MEASUREMENTS ARE ESSENTIAL FOR PROPER TARP FIT. PROVIDE ALL REQUESTED INFORMATION OR YOUR ORDER MAY BE DELAYED. **DO NOT** USE UNIVERSAL BOX SIZES. **ALWAYS** USE ACTUAL MEASUREMENTS. BOX SIZE AND FINISHED TARP SIZE ARE **NOT** THE SAME.



NOTE: Kits are designed for boxes 144" or narrower. Wider boxes will require Shur-Co® engineering approval.

CONTACT INFORMATION

G15BD-1019

NAME _____
 ADDRESS _____
 EMAIL _____
 CITY _____ STATE _____ ZIP _____
 PHONE _____ FAX _____
 MAKE/MODEL# _____ YEAR _____

BOX DIMENSIONS

A _____ UPPER OUTSIDE BOX LENGTH
 B _____ UPPER OUTSIDE BOX WIDTH
 Front _____ Center _____ Rear _____
 N _____ TOP RAIL WIDTH
 U _____ INSIDE BOX WIDTH
 X _____ UPPER OUTSIDE BOX HEIGHT

LIP IN LIP OUT

REAR SLOPE DIMENSIONS See Figure 1

S1 _____ REAR UPPER VERTICAL
 S2 _____ SLOPE HEIGHT
 S3 _____ SLOPE LENGTH
 S4 _____ REAR CROSSBEAM HEIGHT

BOX EXTENSION STYLE See Figures 2 and 3

FLAT SLANTED FLAT W/ANGLE
 SLANTED W/ANGLE SLANTED W/OVERHANG
 SLANTED W/OVERHANG AND ANGLE

BOX EXTENSION DIMENSIONS

B4 _____ EXTENSION WIDTH
 X1 _____ EXTENSION HEIGHT DRIVER SIDE
 X2 _____ EXTENSION HEIGHT PASSENGER SIDE
 X3 _____ LOWER EXTENSION ANGLE

TARP COLOR(S) _____

FIGURE 1

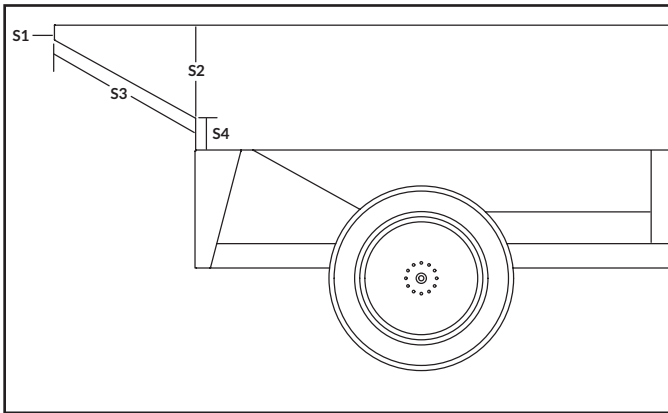
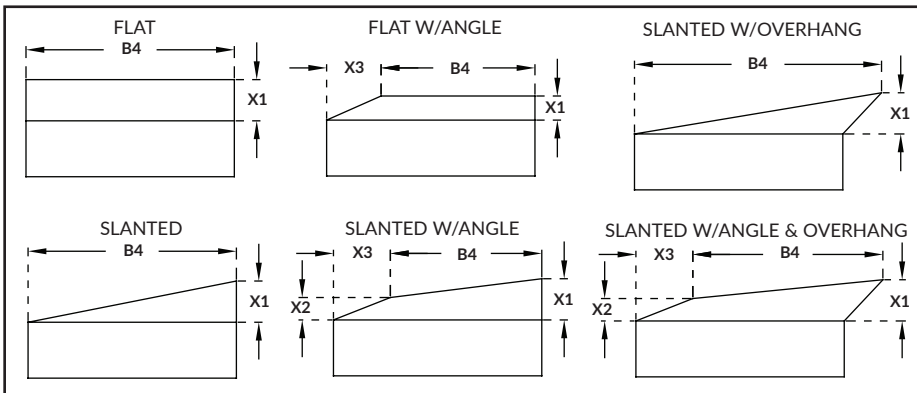
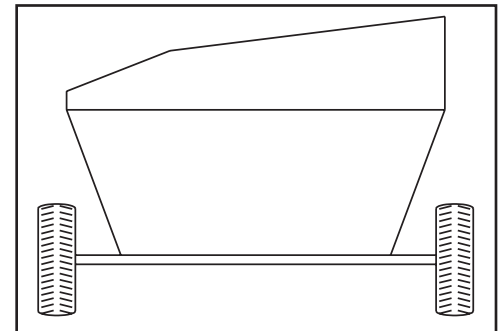


FIGURE 2



NOTE: Flat caps can ONLY be used on a SLANTED extension (see above), and the side walls MUST BE VERTICAL.

FIGURE 3



NOTE: If ordering galvanized caps, make sure box is flat across top. Figure 2 shows a box with an uneven angle across the top. Galvanized caps will NOT fit this box; you must order fabric caps instead.



Cable-Lok™ Electric works on existing Cable-Lok™ tarp systems and trailers up to 24'. Accommodates sloped or vertical trailers, works with minimum clearance and is easy to install and operate. Spring-loaded tension with cable attachment keeps tarp tight, even in moderate wind conditions. Light-duty motor offers a manual override and can be mounted on front or rear.

COMPLETE KITS

TRAILER OPTIONS	KIT OPTION	DURABUILT™ MOTOR				SMARTDRIVE™ MOTOR			
		ROCKER	PRICE	EZR™	PRICE	ROCKER EXPRESS***	PRICE	EZR™	PRICE
Farm Box w/Hoist	Galvanized	1119518*		1131734*		1131740**		1131755**	
	Stainless	1123970*		1131736*		1131749**		1131744**	
Fertilizer Tender	Stainless	1119514*		1131737*		1131741**		1131748**	
Fertilizer Tender Trailer	Stainless	1123973*		1131738*		No Option	-----	1131739**	
Belly Dump	Galvanized Front Mount	1125873*		No Option	-----	No Option	-----	No Option	-----
	Galvanized Rear Mount	1125872*		No Option	-----	No Option	-----	No Option	-----

*Will NOT operate in Express Mode.

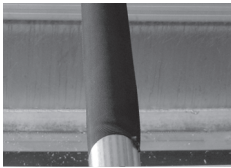
**Will operate in Express Mode.

***Can be upgraded to ShurLink™ remote by ordering P/N 1131576 (EZR™) or P/N 1131575 (PRO).

MODES OF OPERATION

- **Rocker** - Uses the Durabuilt™ Motor. Operate the tarp system by utilizing a rocker switch inside the cab.
- **ShurLink™** - Uses the Durabuilt™ Motor. Operate the tarp system by ShurLink EZR™, ShurLink PRO™ remotes or by utilizing the buttons on the receiver located on the box. The Express Mode feature is NOT compatible with this option.
- **Rocker Express** - Uses the sealed SMARTdrive™ motor. Operate the tarp system by utilizing the express rocker switch located inside the cab or by pressing the buttons on the ShurLink™ receiver located on the box. One push of the button will open and close tarp system automatically in Express Mode.
- **ShurLink™ Express** - Uses the sealed SMARTdrive™ motor. Operate the tarp system in Express Mode by ShurLink EZR™, ShurLink PRO™ remotes or by utilizing the buttons on the ShurLink™ receiver located on the box. One push of the bottom on remote or receiver box will open and close tarp system automatically in Express Mode.

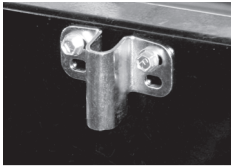
BOW COVERS



Bow Sock

Designed to keep bows from pitting. Helps extend the life of bows and tarp.

BOWS/BRACKETS



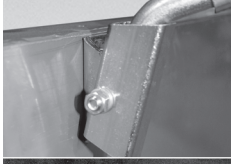
Galvanized Steel

Bracket lets bow flex to match box expansion. Low and high rise, X-wide styles available.



Stainless Steel

Universal bracket in stainless steel, for increased durability in corrosive environments.



Adjustable Bracket

For slanted-with-angle extensions on grain carts. Adjusts bows for better tarp tension.



Flat

Flattened version of a heavy-duty bow - no-rise design for less loader interference.



Heavy Duty

Beefed-up bow permits bow spacing up to 12 feet apart. In low-rise or high-rise versions.



Durabow™

Molded resin bow supports tarp but has enough give to be left on during loading.

CRANK ARMS



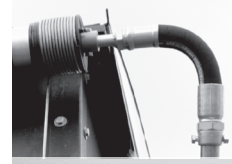
1-Pc. Galvanized Steel

Provides 4-position length adjustment. Mounts vertically or horizontally. In 3 sizes.



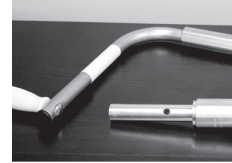
1-Pc. Stainless Steel

Provides a long-lasting sharper image as well as improved resistance to corrosion.



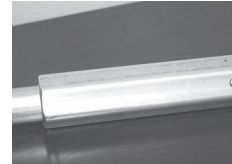
Flexible Hose Adjustment

Reinforced flexible hose assembly attaches to arm, moves tarp spool easily across caps.



Telescoping/Indexing

Nylon sleeve bushing offers arm length/handle adjustment by 60-degree increments. 2 pc.

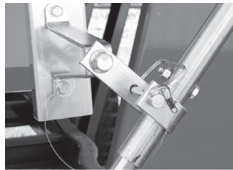


Stainless Telescoping/Indexing

A more corrosive-resistant version of galvanized telescoping/indexing crank above.

OPTIONS AND UPGRADES

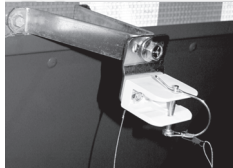
CRANK ARM HARDWARE



Standard J-Hook Retainer
Traditional-style retainer uses pins and cables to secure arm to trailer.



Stainless Steel Retainer
Secures crank arm to trailer in most accessible position. Resists corrosion.



Telescoping Nylon Retainer
Secures telescoping/indexing handle. Prevents extension of handle during transport.



Stainless Telescoping Retainer
Secures stainless telescoping/indexing handle to prevent it from extending during travel.



Standoffs
Choose from 2-inch, 3-inch, 7-inch and 11-inch sizes for optimal retainer positioning.



Universal Retainer Support
Kit accommodates non-vertical configurations often needed on grain carts and wagons.

ELECTRIC ACCESSORIES



Durabuilt™ Motor
Universal design - 5 mounting holes and 2 roller bar attachment holes. 100% sealed.



ShurLink EZR™ Remote
Popular modular 5-channel remote operates electric tarp, plus 4 additional 12V options.



NEW! SMARTdrive™ System
SMARTwire™ sealed connections. Hex-thru-bore design lets motor float on shaft. Auto shutdown for safety.

END CAPS



Aluminum
Sharper match for aluminum trailers. High-rise options provide more space for loads.



Galvanized Steel
Weld-free construction offers corrosion resistance. A front guard reduces wind whip.



HD Aluminum Inverted
Allows clear load space over trailer opening. Reduces cap damage by loaders, materials.

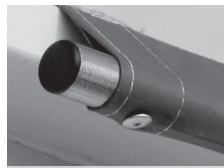


Stainless Steel
For durable performance, increased corrosion resistance and a sharper appearance.

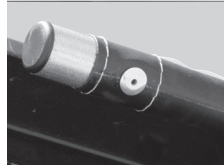


Universal Flat
Flat, 22-inch aluminum extension helps minimize height of trailer for hard-to-fit models.

FIXED TUBES



Galvanized Steel
Anchors tarp on one side of box or trailer to facilitate tarp rolling. 1-1/8-inch diameter.



Stainless Steel
Helps withstand corrosive environments. Anchors tarp on box or trailer. 1-inch diameter.

RATCHET/CABLE ASSEMBLIES



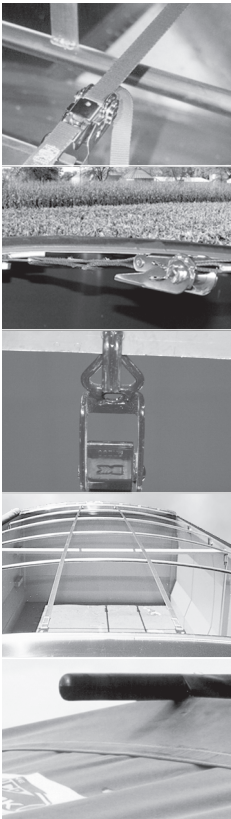
**Galvanized Steel Cable/
Zinc-Plated Ratchet**

Allows tightening of tarp at installation. In 18-inch and 42-inch cable lengths.

**Stainless Steel Cable/
Zinc-Plated Ratchet**

Allows for tarp tension adjustment, resists corrosion. In 18-inch, 42-inch cable lengths.

RIDGE SUPPORTS



Ridge Strap

Stretch-resistant webbing prevents tarp sag between bows. 1-inch and 2-inch sizes.

Stainless Ridge Strap

Same design as our standard ridge strap – in stainless steel for more corrosion resistance.

Ridge Strap w/Powder-Coated Components

Allows tightening of tarp at install. Comes in 18-inch and 42-inch cable lengths.

Dual Ridge Straps

Offset placement gives a larger opening and clear flow for loading. Cuts grain splatter.

Rollaway Ridgepole

Steel pole with protective end caps. Slides into pocket, then rolls up along with tarp.

TARP OPTIONS



Solid Vinyl-Coated Fabric

Heat-welded seams provide an added moisture barrier. Built-in UV inhibitors resist fading.

Multicolored Fabric

Custom color creates high visibility for instant recognition. Acts as a deterrent to theft.

TARP REPAIR



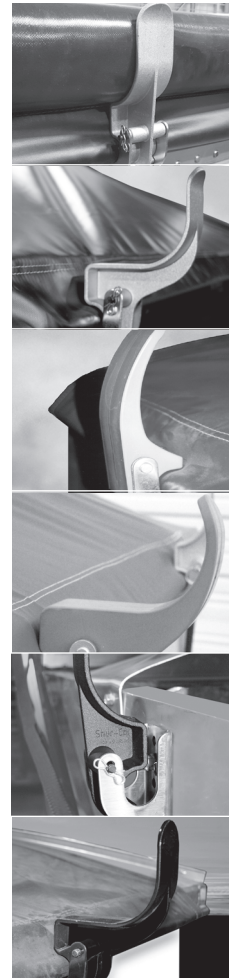
Standard Kit

One pint of cleaner, 1 quart of vinyl cement and 10 square feet of vinyl-coated fabric.

Professional Kit

Includes a Wagner heat gun, scissors, roller, 10 square feet of fabric and instructions.

TARP STOPS



Easy-Off

Taller, with a patented curved tip. Keeps tarp from getting hung up and rubbing.

6" Offset EO

Offset design gives maximum loading space. Taller, with a patented curved tip.

Flexible Easy-Off

Bends even in subzero cold. Impact and abrasion resistant with embedded safety plates.

6" Offset Flexible Easy-Off

All the advantages of regular 6-inch offset easy-off stops, plus cold-temp flexibility.

Powder-Coated/Stainless

Our basic easy-off stop – with a black powder-coated finish and stainless steel stop body.

**Powder-Coated/Stainless
6" Offset Easy-Off**

Maximizes loading space and displays increased resistance to corrosive conditions..

NOTE: All Shur-Co® tarp stops use the same hole spacing and are interchangeable.

GENUINE CABLE-LOK™ REPLACEMENT PARTS



Genuine Shur-Co® replacement parts are proven to fit and function better. For quality performance, go with the name you can trust. Remember that utilizing non-Genuine parts voids your warranty. Our Cross-Reference Chart helps you replace parts on competitor systems with Genuine Shur-Co® replacements. For your convenience, we also have a comprehensive numerical listing of Shur-Co® parts and prices in Section 8.

TARP REPAIR SUPPLIES(see Section 1 - Shur-Lok®/PBR, p. 41)

CABLE-LOK™

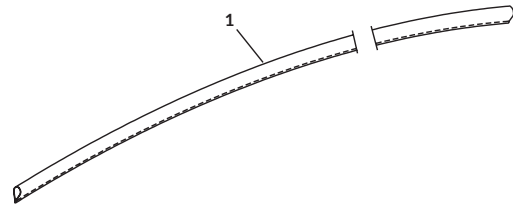
Bow Covers	16
Bows	17-20
Crank Arms.....	21-22
Crank Retainers.....	23
Electrics.....	24-26
End Caps.....	27-30
Ratchet/Cable Assemblies.....	31
Ridge Straps	32
Tarp Spool Assemblies.....	32
Tarp Stops.....	33
Tarp Tubes	33

CROSS-REFERENCE CHART 34-35

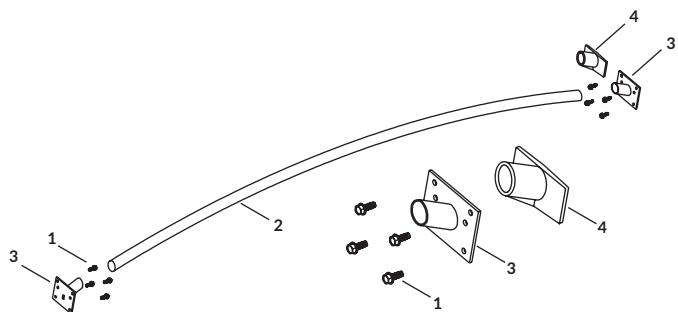
NOTE: All prices in this catalog are subject to change without notice. All components other than standard may require a non-refundable \$100 special processing fee. Call for details.

BOW COVERS

PRICE	ITEM	PART #	DESCRIPTION
	1	1111335	Bow Sock



BOWS - DURABOW™

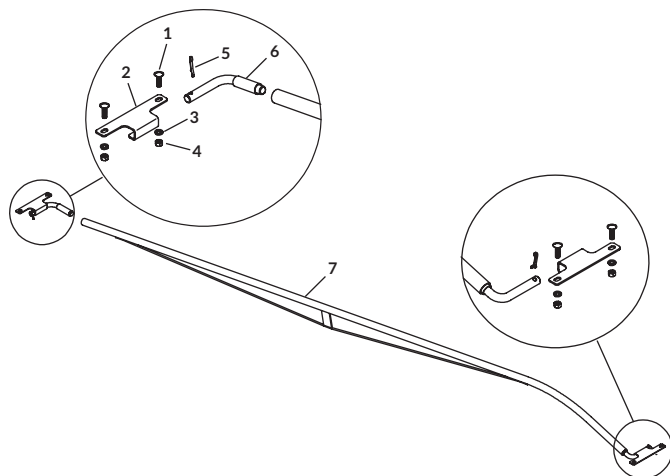


PRICE	ITEM	PART #	DESCRIPTION
		1123544	Durabow™ Bow Kit - 97" - Steel Bracket [Includes 2; 2 of 3; 8 of 1]
		1123541	Durabow™ Bow Kit - 102" - Steel Bracket [Includes 2; 2 of 3; 8 of 1]
		1123545	Durabow™ Bow Kit - 97" - Aluminum Bracket [Includes 2; 2 of 4; 8 of 1]
		1123542	Durabow™ Bow Kit - 102" - Aluminum Bracket [Includes 2; 2 of 4; 8 of 1]
		1110653	Bow Mounting Hardware Kit - Steel [Includes 2 of 3; 8 of 1]
		1124624	Bow Mounting Hardware Kit - Aluminum [Includes 2 of 4; 8 of 1]
		1115971	Bow Mounting Fasteners - Durabow™ [Includes 8 of 1]
	1	1700400	Self-Tapping Screw - Non Corrosive Coating - 3/8" x 1"
	2	1705128	Durabow™ - 97"
		1705129	Durabow™ - 102"
		1702857	Replacement Flexbow®*
	3	1122932	Durabow™ Bracket - Steel*
	4	1705324	Durabow™ Bracket - Aluminum

NOTE: Durabows are NOT recommended for low-rise applications.

*Durabow™ steel brackets are a fit-all bracket for both Flexbow® and Durabow™. Original steel Flexbow® brackets are zinc plated; steel Durabow™ brackets are yellow plated. Durabows will NOT slide into original Flexbow® steel brackets. When ordering P/N 1702857 replacement Flexbow®, please order P/N 1123544 or P/N 1123541 Durabow™ bow kits, which include Durabow™ steel brackets.

BOWS - FLAT X-WIDE



PRICE	ITEM	PART #	DESCRIPTION
		1120308	X-Wide Bow Kit* - Flat - 113" to 122" [Includes 6; 7; 2 of 2 & 5; 4 of 1, 3 & 4]
		1120309	X-Wide Bow Kit* - Flat - 123" to 132" [Includes 6; 7; 2 of 2 & 5; 4 of 1, 3 & 4]
		1120310	X-Wide Bow Kit* - Flat - 133" to 142" [Includes 6; 7; 2 of 2 & 5; 4 of 1, 3 & 4]
		1120311	X-Wide Bow Kit* - Flat - 143" to 152" [Includes 6; 7; 2 of 2 & 5; 4 of 1, 3 & 4]
		1120312	X-Wide Bow Kit* - Flat - 153" to 162" [Includes 6; 7; 2 of 2 & 5; 4 of 1, 3 & 4]
		1120362	Bow Mounting Fasteners Kit - X-Wide Flat [Includes 2 of 5; 4 of 1, 3 & 4]
	1	1703964	Truss Head Machine Screw - 3/8" x 1-1/4"
	2	1117665	Horizontal Bow Bracket
	3	1700434	Lock Washer - 3/8"
	4	1700407	Nut - 3/8"
	5	1701577	Humpback Cotter Pin - 3/16" x 1-1/4"
	6	1117683	X-Wide Bow Shank - Flat
	7	1120303	X-Wide Bow* - Flat - 113" to 122"
		1120304	X-Wide Bow* - Flat - 123" to 132"
		1120305	X-Wide Bow* - Flat - 133" to 142"
		1120306	X-Wide Bow* - Flat - 143" to 152"
		1120307	X-Wide Bow* - Flat - 153" to 162"

*Measurement on bows denotes inside cart width. Bows have 6" tapered rise to ensure tight tarp tension across flat cap.

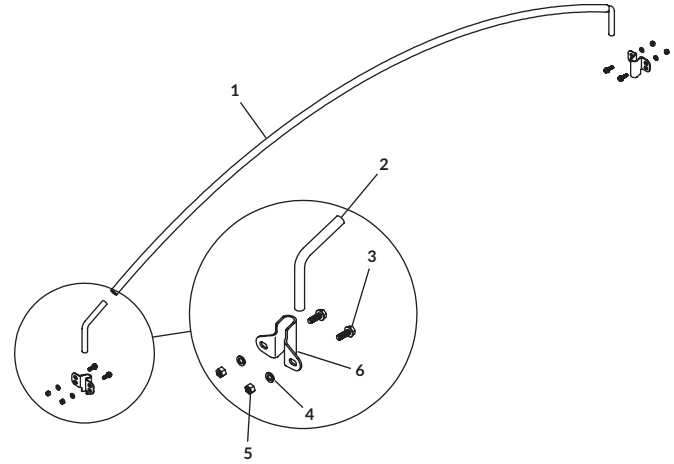
NOTE: All components other than standard may require a non-refundable \$100 special processing fee. Hardware not included. Call for details.

GENUINE CABLE-LOK™ REPLACEMENT PARTS

BOWS – GALVANIZED STEEL

PRICE	ITEM	PART #	DESCRIPTION
		1117916	Galvanized Bow Kit* - 8" Rise - 85" to 92" [Includes 1; 2; 2 of 6; 4 of 3, 4 & 5]
		1100766	Galvanized Bow Kit* - 8" Rise - 93" to 102" [Includes 1; 2; 2 of 6; 4 of 3, 4 & 5]
		1117917	Galvanized Bow Kit* - 12" Rise - 89" to 95" [Includes 1; 2; 2 of 6; 4 of 3, 4 & 5]
		1100768	Galvanized Bow Kit* - 12" Rise - 96" to 102" [Includes 1; 2; 2 of 6; 4 of 3, 4 & 5]
		1107711	Galvanized Bow Mounting Fasteners Kit [Includes 4 of 3, 4 & 5]
1		1116120	Galvanized Bow* - 8" Rise - 85" to 92"
		1100760	Galvanized Bow* - 8" Rise - 93" to 102"
		1117905	Galvanized Bow* - 12" Rise - 89" to 95"
		1100762	Galvanized Bow* - 12" Rise - 96" to 102"
2		1100695	Galvanized Bow* Shank - 8" Rise
		1106925	Galvanized Bow* Shank - 12" Rise
3		1700400	Self-Tapping Screw - Non Corrosive Coating - 3/8" x 1"
4		1700434	Lock Washer - 3/8"
5		1700407	Nut - 3/8"
6		1120836	Single Bow Bracket

*Bow rise is typically 2" greater than rise of cap. Other rises available.

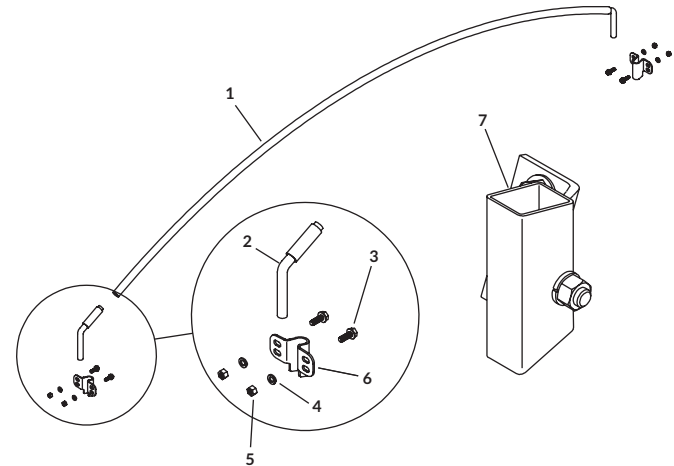


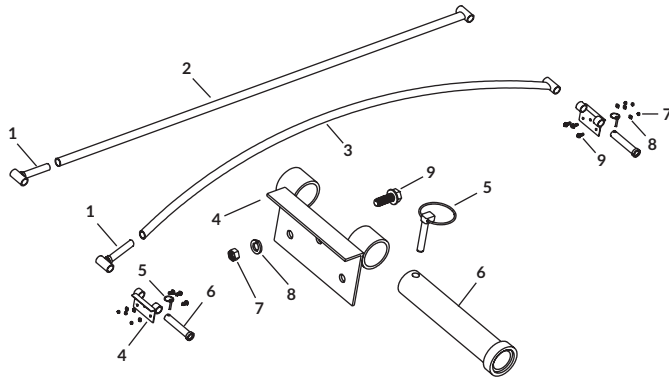
BOWS – GALVANIZED STEEL X-WIDE - 1 PC.

PRICE	ITEM	PART #	DESCRIPTION
		1119465	X-Wide Bow Kit* - 12" Rise - 99" to 104" [Includes 1; 2; 2 of 6; 4 of 3, 4 & 5]
		1119466	X-Wide Bow Kit* - 12" Rise - 104-1/2" to 109-1/2" [Includes 1; 2; 2 of 6; 4 of 3, 4 & 5]
		1119464	X-Wide Bow Kit* - 12" Rise - 109" [Includes 1; 2; 2 of 6; 4 of 3, 4 & 5]
		1119467	X-Wide Bow Kit* - 12" Rise - 110" to 115" [Includes 1; 2; 2 of 6; 4 of 3, 4 & 5]
		1119468	X-Wide Bow Kit* - 12" Rise - 115-1/2" to 121" [Includes 1; 2; 2 of 6; 4 of 3, 4 & 5]
		1119469	X-Wide Bow Kit* - 12" Rise - 121-1/2" to 127" [Includes 1; 2; 2 of 6; 4 of 3, 4 & 5]
		1119470	X-Wide Bow Kit* - 12" Rise - 127-1/2" to 134" [Includes 1; 2; 2 of 6; 4 of 3, 4 & 5]
		1119471	X-Wide Bow Kit* - 12" Rise - 134-1/2" to 141" [Includes 1; 2; 2 of 6; 4 of 3, 4 & 5]
		1107711	Galvanized Bow Mounting Fasteners Kit [Includes 4 of 3, 4 & 5]
1		1119227	Galvanized Bow* - 12" Rise - 99" to 104"
		1119220	Galvanized Bow* - 12" Rise - 104-1/2" to 109-1/2"
		1118724	Galvanized Bow* - 12" Rise - 109"
		1119219	Galvanized Bow* - 12" Rise - 110" to 115"
		1119218	Galvanized Bow* - 12" Rise - 115-1/2" to 121"
		1119217	Galvanized Bow* - 12" Rise - 121-1/2" to 127"
		1119216	Galvanized Bow* - 12" Rise - 127-1/2" to 134"
		1119215	Galvanized Bow* - 12" Rise - 134-1/2" to 141"
2		1119233	X-Wide Bow Shank* - 12" Rise - 99" to 109-1/2"
		1119232	X-Wide Bow Shank* - 12" Rise - 110" to 127"
		1119231	X-Wide Bow Shank* - 12" Rise - 127-1/2" to 141"
3		1700400	Self-Tapping Screw - Non Corrosive Coating - 3/8" x 1"
4		1700434	Lock Washer - 3/8"
5		1700407	Nut - 3/8"
6		1120836	Single Bow Bracket
7		1117946	Adjustable Bow Bracket

*Bow rise is typically 2" greater than rise of cap. Other rises available.

NOTE: All components other than standard may require a non-refundable \$100 special processing fee. Hardware not included. Call for details.



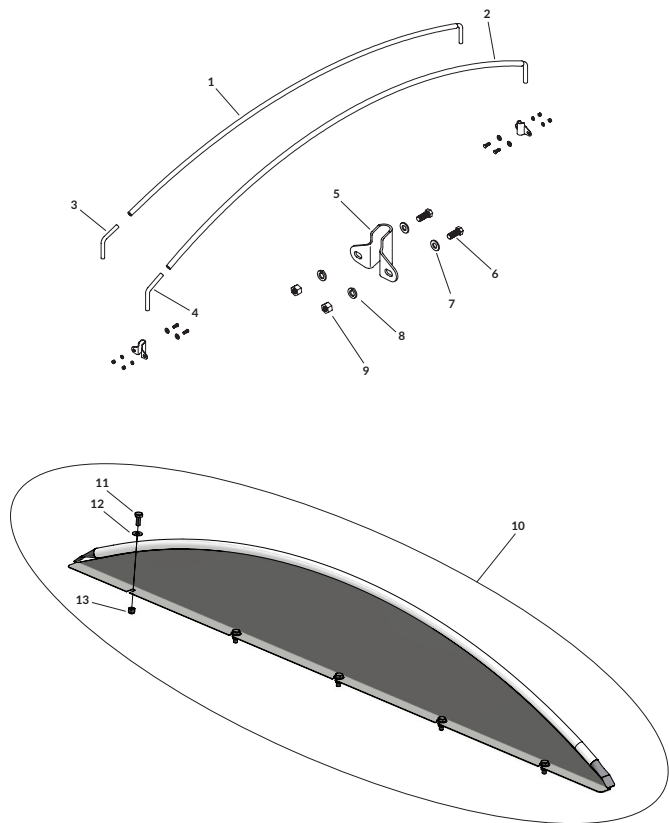


BOWS – HEAVY DUTY

PRICE	ITEM	PART #	DESCRIPTION
		1112667	Heavy-Duty Bow Kit - Flat [Includes 1; 2; 2 of 4, 5 & 6; 6 of 7, 8 & 9]
		1106615	Heavy-Duty Bow Kit - 8" Rise* [Includes 1; 3; 2 of 4, 5 & 6; 6 of 7, 8 & 9]
		1102697	Heavy-Duty Bow Kit - 12" Rise* [Includes 1; 3; 2 of 4, 5 & 6; 6 of 7, 8 & 9]
		1107245	Bow Mounting Hardware - Heavy Duty [Includes 1; 2 of 4, 5 & 6; 6 of 7, 8 & 9]
		1107244	Bow Mounting Fasteners - Heavy Duty [Includes 2 of 5; 6 of 7, 8 & 9]
	1	1104706	Heavy-Duty Bow Shank
	2	1112669	Heavy-Duty Bow - Flat
	3	1106612	Heavy-Duty Bow - 8" Rise*
		1101927	Heavy-Duty Bow - 12" Rise*
	4	1106614	Heavy-Duty Bow Bracket
	5	1701098	Lynch Pin - 5/16" x 1-3/4"
	6	1104123	Heavy-Duty Bow Pin
	7	1700407	Hex Nut - 3/8"
	8	1700434	Lock Washer - 3/8"
	9	1700400	Self-Tapping Screw - Non Corrosive Coating - 3/8" x 1"

*Bow rise is typically 2" greater than rise of cap. Other rises available.

BOWS – STAINLESS STEEL STANDARD



PRICE	ITEM	PART #	DESCRIPTION
		1120351	Stainless Bow Kit - 8" Rise* - 78" to 84" [Includes 1; 3; 2 of 5; 4 of 6, 7, 8 & 9]
		1120352	Stainless Bow Kit - 8" Rise* - 85" to 92" [Includes 1; 3; 2 of 5; 4 of 6, 7, 8 & 9]
		1120353	Stainless Bow Kit - 8" Rise* - 93" to 102" [Includes 1; 3; 2 of 5; 4 of 6, 7, 8 & 9]
		1120354	Stainless Bow Kit - 12" Rise* - 82" to 88" [Includes 2; 4; 2 of 5; 4 of 10, 11 & 12]
		1120355	Stainless Bow Kit - 12" Rise* - 89" to 95" [Includes 2; 4; 2 of 5; 4 of 6, 7, 8 & 9]
		1120356	Stainless Bow Kit - 12" Rise* - 96" to 102" [Includes 2; 4; 2 of 5; 4 of 6, 7, 8 & 9]
		1116275	Stainless Bow Mounting Fasteners (4)
		1129163	Bow Divider Kit DN456 [Includes 10; 5 of 11, 12 & 13]
	1	1129521	Bow Divider Kit DN495 [Includes 10; 5 of 11, 12 & 13]
		1128156	Bow Divider Kit DN485 [Includes 10; 5 of 11, 12 & 13]
	1	1120286	Stainless Bow - 8" Rise* - 78" to 84"
		1120287	Stainless Bow - 8" Rise* - 85" to 92"
		1119765	Stainless Bow - 8" Rise* - 93" to 102"
	2	1120288	Stainless Bow - 12" Rise* - 82" to 88"
		1120289	Stainless Bow - 12" Rise* - 89" to 95"
		1120290	Stainless Bow - 12" Rise* - 96" to 102"
	3	1119766	Stainless Bow Shank - 8" Rise*
	4	1116754	Stainless Bow Shank - 12" Rise*
	5	1120975	Stainless Single Bow Bracket
	6	1703579	Stainless Hex Head Cap Screw - 3/8" x 1"
	7	1703577	Stainless Flat Washer - 3/8"
	8	1703576	Stainless Lock Washer - 3/8"
	9	1200999	Stainless Hex Nut - 3/8"
	10		Bow Divider Panel DN456 Bow Divider Panel DN495 Bow Divider Panel DN485
	11	1703619	Stainless Hex Head Cap Screw - 1/2" x 1-1/4"
	12	1703620	Stainless Flat Washer - 1/2"
	13	1706088	Stainless Nylon Lock Nut - 1/2"

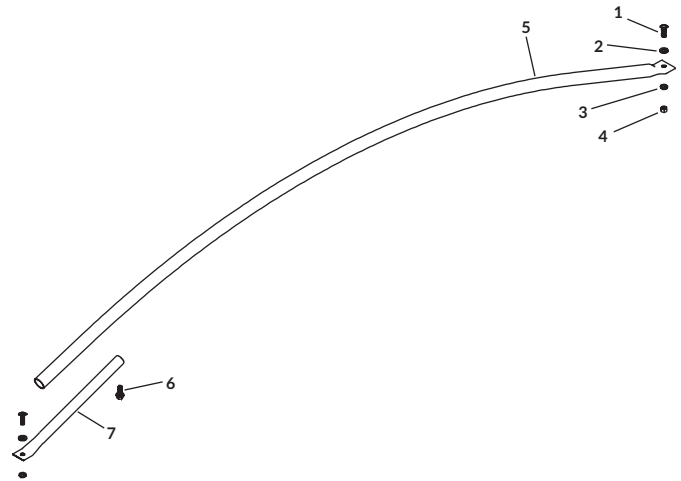
*Bow rise is typically 2" greater than rise of cap. Other rises available.

NOTE: All components other than standard may require a non-refundable \$100 special processing fee. Hardware not included. Call for details.

GENUINE CABLE-LOK™ REPLACEMENT PARTS

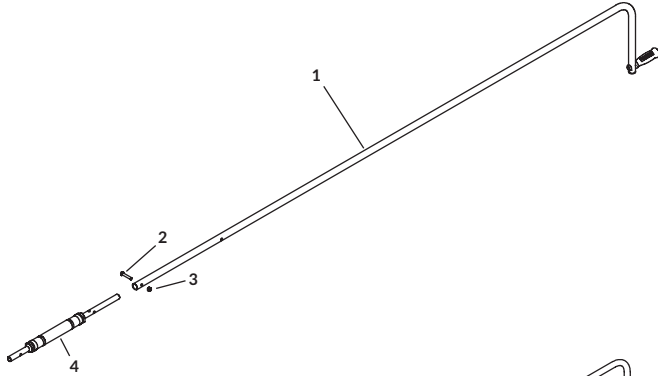
BOWS – STAINLESS STEEL TOP MOUNT.

PRICE	ITEM	PART #	DESCRIPTION
		1119414	Stainless Bow Kit* - 8" Rise - 84" to 87-1/2" [Includes 5; 6; 7; 2 of 1, 2, 3 & 4]
		1119415	Stainless Bow Kit* - 8" Rise - 88" to 91-1/2" [Includes 5; 6; 7; 2 of 1, 2, 3 & 4]
		1119416	Stainless Bow Kit* - 8" Rise - 92" to 95-1/2" [Includes 5; 6; 7; 2 of 1, 2, 3 & 4]
		1119417	Stainless Bow Kit* - 8" Rise - 96" to 99-1/2" [Includes 5; 6; 7; 2 of 1, 2, 3 & 4]
		1119418	Stainless Bow Kit* - 8" Rise - 100" to 103-1/2" [Includes 5; 6; 7; 2 of 1, 2, 3 & 4]
		1119419	Stainless Bow Kit* - 8" Rise - 104" to 107-1/2" [Includes 5; 6; 7; 2 of 1, 2, 3 & 4]
		1119420	Stainless Bow Kit* - 8" Rise - 108" to 111-1/2" [Includes 5; 6; 7; 2 of 1, 2, 3 & 4]
		1119421	Stainless Bow Kit* - 8" Rise - 112" to 115-1/2" [Includes 5; 6; 7; 2 of 1, 2, 3 & 4]
		1119422	Stainless Bow Kit* - 8" Rise - 120" to 123-1/2" [Includes 5; 6; 7; 2 of 1, 2, 3 & 4]
		1119405	Stainless Bow Kit* - 12" Rise - 84" to 87-1/2" [Includes 5; 6; 7; 2 of 1, 2, 3 & 4]
		1119406	Stainless Bow Kit* - 12" Rise - 88" to 91-1/2" [Includes 5; 6; 7; 2 of 1, 2, 3 & 4]
		1119407	Stainless Bow Kit* - 12" Rise - 92" to 95-1/2" [Includes 5; 6; 7; 2 of 1, 2, 3 & 4]
		1119408	Stainless Bow Kit* - 12" Rise - 96" to 99-1/2" [Includes 5; 6; 7; 2 of 1, 2, 3 & 4]
		1119409	Stainless Bow Kit* - 12" Rise - 100" to 103-1/2" [Includes 5; 6; 7; 2 of 1, 2, 3 & 4]
		1119410	Stainless Bow Kit* - 12" Rise - 104" to 107-1/2" [Includes 5; 6; 7; 2 of 1, 2, 3 & 4]
		1119411	Stainless Bow Kit* - 12" Rise - 108" to 111-1/2" [Includes 5; 6; 7; 2 of 1, 2, 3 & 4]
		1119412	Stainless Bow Kit* - 12" Rise - 112" to 115-1/2" [Includes 5; 6; 7; 2 of 1, 2, 3 & 4]
		1119413	Stainless Bow Kit* - 12" Rise - 120" to 123-1/2" [Includes 5; 6; 7; 2 of 1, 2, 3 & 4]
		1118626	Stainless Bow Mounting Fasteners Kit - Top Mount [Includes 6; 2 of 1, 2, 3 & 4]
	1	1704442	Stainless Flange Screw - 3/8" x 1"
	2	1703577	Stainless Flat Washer - 3/8"
	3	1703576	Stainless Lock Washer - 3/8"
	4	1200999	Stainless Hex Nut - 3/8"
	5	1119184	Stainless Bow* - 8" Rise - 84" to 87-1/2"
		1119248	Stainless Bow* - 8" Rise - 88" to 91-1/2"
		1119250	Stainless Bow* - 8" Rise - 92" to 95-1/2"
		1119182	Stainless Bow* - 8" Rise - 96" to 99-1/2"
		1119246	Stainless Bow* - 8" Rise - 100" to 103-1/2"
		1119190	Stainless Bow* - 8" Rise - 104" to 107-1/2"
		1119192	Stainless Bow* - 8" Rise - 108" to 111-1/2"
		1119194	Stainless Bow* - 8" Rise - 112" to 115-1/2"
		1119196	Stainless Bow* - 8" Rise - 120" to 123-1/2"
		1119185	Stainless Bow* - 12" Rise - 84" to 87-1/2"
		1119249	Stainless Bow* - 12" Rise - 88" to 91-1/2"
		1119251	Stainless Bow* - 12" Rise - 92" to 95-1/2"
		1119183	Stainless Bow* - 12" Rise - 96" to 99-1/2"
		1119247	Stainless Bow* - 12" Rise - 100" to 103-1/2"
		1119191	Stainless Bow* - 12" Rise - 104" to 107-1/2"
		1119193	Stainless Bow* - 12" Rise - 108" to 111-1/2"
		1119195	Stainless Bow* - 12" Rise - 112" to 115-1/2"
		1119197	Stainless Bow* - 12" Rise - 120" to 123-1/2"
	6	1700400	Self-tapping Screw - Non Corrosive Coating - 3/8" x 1"
	7	1118624	Stainless Bow Extension



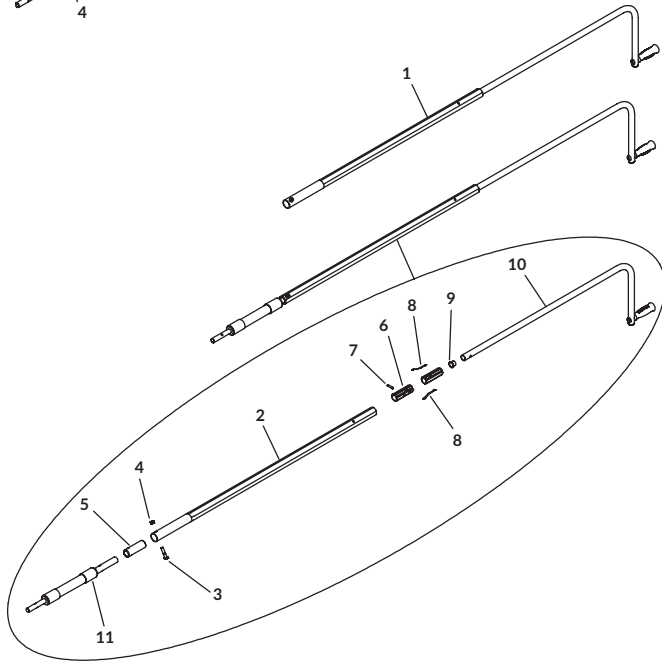
*Bow rise is typically 2" greater than rise of cap. Other rises available.

NOTE: All components other than standard may require a non-refundable \$100 special processing fee. Hardware not included. Call for details.



CRANK ARMS – GALVANIZED STEEL/STAINLESS STANDARD

PRICE	ITEM	PART #	DESCRIPTION
		1123773	Galvanized Crank Kit - 1 Pc. [Includes 1; 2; 3; 4]
		1122868	Stainless Crank Kit - 1 Pc. [Includes 1; 2; 3; 4]
	1	1123954	Galvanized Crank Arm - 1 Pc.
		1122011	Stainless Crank Arm - 1 Pc.
	2	1700369	Hex Head Cap Screw - 3/8" x 1-3/4"
		1704334	Stainless Hex Head Cap Screw - 5/16" x 1-3/4"
	3	1700418	Centerlock Hex Nut - 3/8"
		1704431	Stainless Nylon Lock Nut - 5/16"
	4	1122010	Flex Arm Joint Assembly - 12"

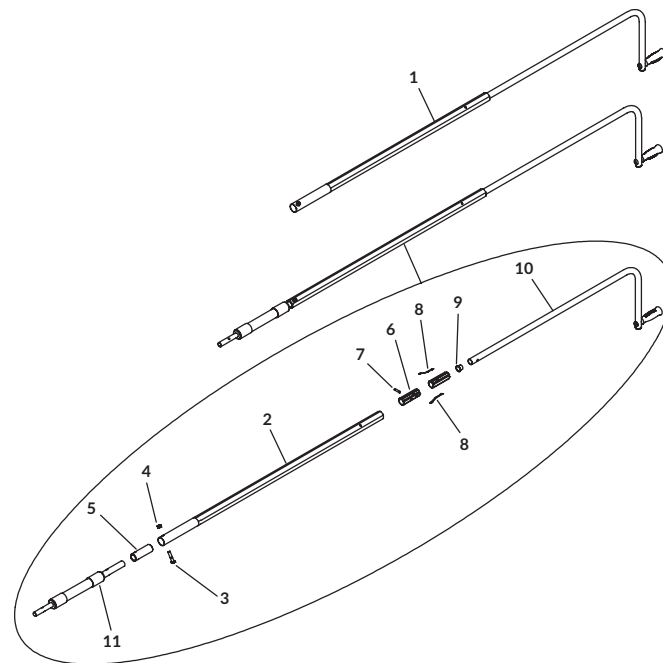


CRANK ARMS – GALVANIZED TELESCOPING/INDEXING

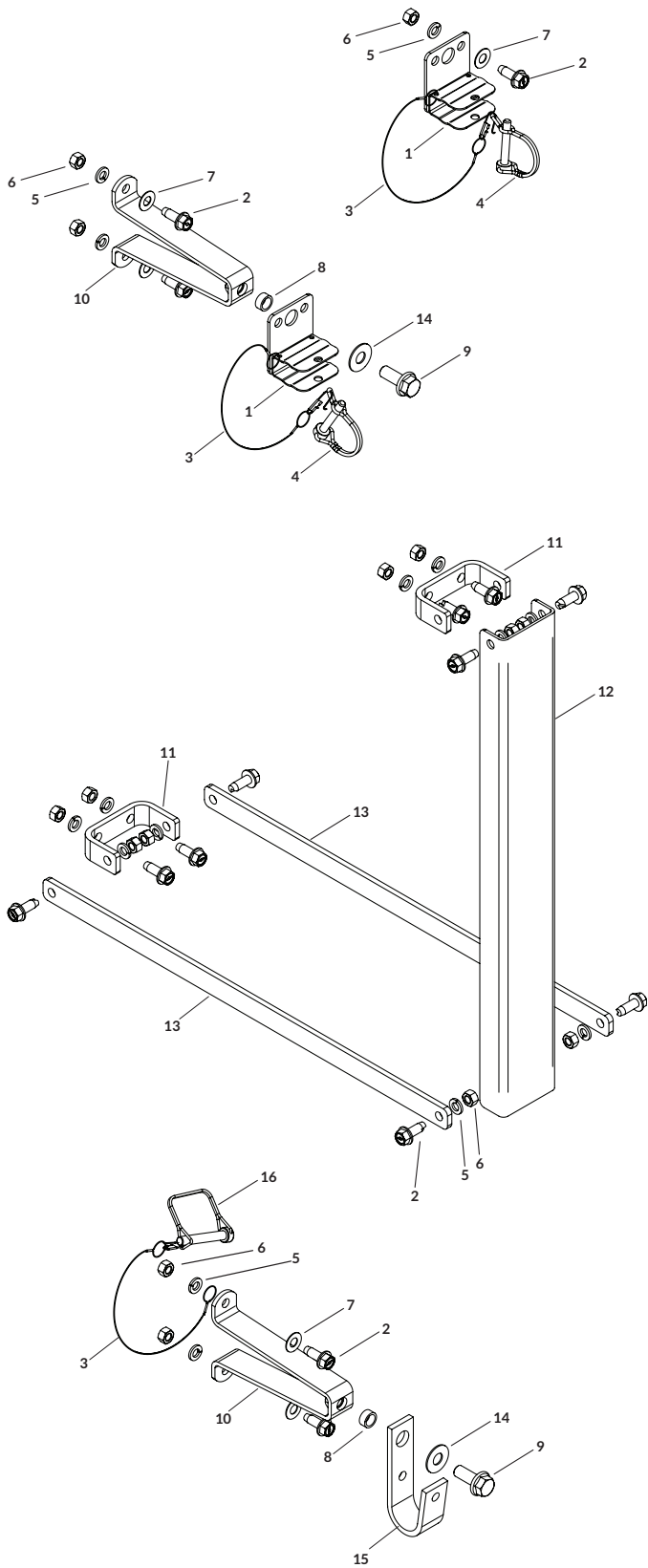
PRICE	ITEM	PART #	DESCRIPTION
		1123809	Galvanized Telescoping/Indexing Crank w/Flex Joint - Extends 4'9" to 7'10" [Includes 1; 11]
		1123813	Galvanized Telescoping/Indexing Crank w/Flex Joint - Extends 6'1" to 9'4" [Includes 1; 11]
		1123817	Galvanized Telescoping/Indexing Crank w/Flex Joint - Extends 8'3" to 11'6" [Includes 1; 11]
		1123821	Galvanized Telescoping/Indexing Crank w/Flex Joint - Extends 9'7" to 12'10" [Includes 1; 11]
		1123825	Galvanized Telescoping/Indexing Crank w/Flex Joint - Extends 14'3" to 17' [Includes 1; 11]
		1124836	Galvanized Crank Arm w/Bearings - 48" [Includes 7; 8; 10; 2 of 6]
		1124838	Galvanized Crank Arm w/Bearings - 64" [Includes 7; 8; 10; 2 of 6]
		1124840	Galvanized Crank Arm w/Bearings - 90" [Includes 7; 8; 10; 2 of 6]
		1124842	Galvanized Crank Arm w/Bearings - 106" [Includes 7; 8; 10; 2 of 6]
		1124844	Galvanized Crank Arm w/Bearings - 147" [Includes 7; 8; 10; 2 of 6]
	1	1123810	Galvanized Telescoping/Indexing Crank - Extends 4'9" to 7'10" [Includes 2; 3; 4; 5; 7; 8; 9; 10; 2 of 6]
		1123814	Galvanized Telescoping/Indexing Crank - Extends 6'1" to 9'4" [Includes 2; 3; 4; 5; 7; 8; 9; 10; 2 of 6]
		1123818	Galvanized Telescoping/Indexing Crank - Extends 8'3" to 11'6" [Includes 2; 3; 4; 5; 7; 8; 9; 10; 2 of 6]
		1123822	Galvanized Telescoping/Indexing Crank - Extends 9'7" to 12'10" [Includes 2; 3; 4; 5; 7; 8; 9; 10; 2 of 6]
		1123826	Galvanized Telescoping/Indexing Crank - Extends 14'3" to 17' [Includes 2; 3; 4; 5; 7; 8; 9; 10; 2 of 6]
	2	1123829	Galvanized Hex Arm - 49"
		1123830	Galvanized Hex Arm - 51"
		1123831	Galvanized Hex Arm - 60"
	3	1700369	Hex Head Cap Screw - 3/8" x 1-3/4"
	4	1700418	Centerlock Hex Nut - 3/8"
	5	1123856	Crank Arm Flex Holder
	6	1705197	Crank Arm Bearing
	7	1701118	Spring Pin - 1/4" x 1-3/16"
	8	1123897	Spring Clip (2)
	9	1701357	Crank Arm End Plug
	10	1123835	Galvanized Crank Arm - 48"
		1123839	Galvanized Crank Arm - 64"
		1123843	Galvanized Crank Arm - 90"
		1123847	Galvanized Crank Arm - 106"
		1123851	Galvanized Crank Arm - 204"
	11	1118722	Flex Arm Joint Assembly - 12"

CRANK ARMS – STAINLESS TELESCOPING/INDEXING

PRICE	ITEM	PART #	DESCRIPTION
		1123811	Stainless Telescoping/Indexing Crank w/Flex Joint - Extends 4'9" to 7'10" [Includes 1; 11]
		1123815	Stainless Telescoping/Indexing Crank w/Flex Joint - Extends 6'1" to 9'4" [Includes 1; 11]
		1123819	Stainless Telescoping/Indexing Crank w/Flex Joint - Extends 8'3" to 11'6" [Includes 1; 11]
		1123823	Stainless Telescoping/Indexing Crank w/Flex Joint - Extends 9'7" to 12'10" [Includes 1; 11]
		1124837	Stainless Crank Arm w/Bearings - 48" [Includes 7; 8; 10; 2 of 6]
		1124839	Stainless Crank Arm w/Bearings - 64" [Includes 7; 8; 10; 2 of 6]
		1124841	Stainless Crank Arm w/Bearings - 90" [Includes 7; 8; 10; 2 of 6]
		1124843	Stainless Crank Arm w/Bearings - 106" [Includes 7; 8; 10; 2 of 6]
1		1123812	Stainless Telescoping/Indexing Crank - Extends 4'9" to 7'10" [Includes 2; 3; 4; 5; 7; 8; 9; 10; 2 of 6]
		1123816	Stainless Telescoping/Indexing Crank - Extends 6'1" to 9'4" [Includes 2; 3; 4; 5; 7; 8; 9; 10; 2 of 6]
		1123820	Stainless Telescoping/Indexing Crank - Extends 8'3" to 11'6" [Includes 2; 3; 4; 5; 7; 8; 9; 10; 2 of 6]
		1123824	Stainless Telescoping/Indexing Crank - Extends 8'3" to 12W'10" [Includes 2; 3; 4; 5; 7; 8; 9; 10; 2 of 6]
2		1123832	Stainless Hex Arm - 49"
		1123833	Stainless Hex Arm - 51"
3		1703622	Stainless Hex Head Cap Screw - 3/8" x 1-3/4"
4		1705325	Stainless Center Lock Hex Nut - 3/8"
5		1123856	Crank Arm Flex Holder
6		1705197	Crank Arm Bearing
7		1701118	Spring Pin - 1/4" x 1-3/16"
8		1123898	Stainless Spring Clip (2)
9		1701357	Crank Arm End Plug
10		1123837	Stainless Crank Arm - 48"
		1123841	Stainless Crank Arm - 64"
		1123845	Stainless Crank Arm - 90"
		1123849	Stainless Crank Arm - 106"
11		1118722	Flex Arm Joint Assembly - 12"



CRANK RETAINERS



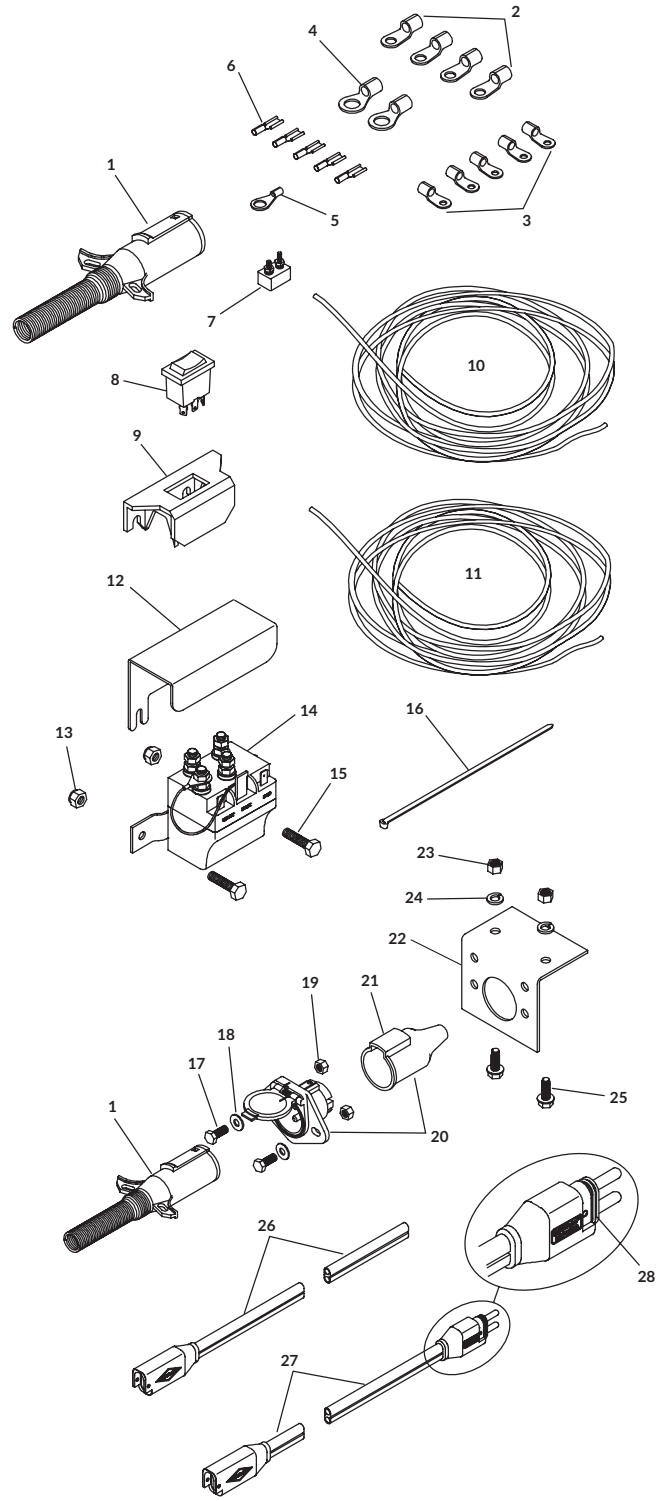
PRICE	ITEM	PART #	DESCRIPTION
		1123756	Telescoping Crank Retainer Kit [Includes 1, 2, 3, 4, 5 & 6]
		1123757	Telescoping Crank Retainer Kit w/3" Standoff [Includes 1, 3, 4, 8, 9 & 10; 2 of 2, 5 & 6]
		1123758	Telescoping Crank Retainer Kit w/7" Standoff [Includes 1, 3, 4, 8, 9 & 10; 2 of 2, 5 & 6]
		1123759	Telescoping Crank Retainer Kit w/11" Standoff [Includes 1, 3, 4, 8, 9 & 10; 2 of 2, 5 & 6]
		1123905	Stainless Telescoping Crank Retainer Kit [Includes 1; 2; 3; 4; 5; 6 & 7]
		1123906	Stainless Telescoping Crank Retainer Kit w/7" Standoff [Includes 1, 3, 4, 8, 9, 10 & 14; 2 of 2, 5, 6 & 7]
		1123907	Stainless Telescoping Crank Retainer Kit w/11" Standoff [Includes 1, 3, 4, 8, 9, 10 & 14; 2 of 2, 5, 6 & 7]
		1123754	Telescoping Crank Retainer Assembly [Includes 1, 3 & 4]
		1100386	Crank Retainer Kit w/7" Standoff [Includes 3, 4, 8, 9, 10, 15 & 16; 2 of 2, 5 & 6]
		1120633	Crank Retainer Kit w/11" Standoff [Includes 3, 4, 8, 9, 10, 15 & 16; 2 of 2, 5 & 6]
		1119334	Stainless Crank Retainer Kit w/7" Standoff [Includes 3, 8, 9, 10, 14, 15 & 16; 2 of 2, 5, 6 & 7]
		1117438	Universal Crank Retainer Support Kit* - 42" [Includes 15; 2 of 11 & 13; 10 of 2, 5 & 6]
	1	1130839	Stainless Snaplock Retainer
	2	1700400	Self-Tapping Screw - 3/8" x 1" (non-corrosive coating)
		1703579	Stainless Hex Head Cap Screw - 3/8" x 1"
	3	1100574	Cable w/#5 Interlock Snap
	4	1706506	Wire Lock Pin - 5/16" x 1-1/2" - SS
	5	1700434	Lock Washer - 3/8"
		1703576	Stainless Lock Washer - 3/8"
	6	1700407	Hex Nut - 3/8"
		1200999	Stainless Hex Nut - 3/8"
	7	1703577	Stainless Flat Washer - 3/8"
	8	1100306	Retainer Bushing - 11/16"
	9	1702996	Flange Cap Screw - 1/2" x 1-1/4"
		1703619	Stainless Hex Head Cap Screw - 1/2" x 1-1/4"
	10	1107080	Crank Retainer Standoff - 3"
		1100033	Crank Retainer Standoff - 7"
		1115511	Stainless Crank Retainer Standoff - 7"
		1109478	Crank Retainer Standoff - 11"
		1115513	Stainless Crank Retainer Standoff - 11"
	11	1116554	Crank Support Base Plate
	12	1117437	Crank Support Bracket - 42"
	13	1116557	Swivel Support Brace
	14	1703620	Stainless Flat Washer - 1/2"
	15	1100040	J-Hook Crank Retainer
		1118927	Stainless J-Hook Crank Retainer
	16	1700526	Wire Lock Pin - 3/8" x 2-1/2"

*For use on some grain carts. Universal crank retainer support kit does NOT include crank retainer assembly.

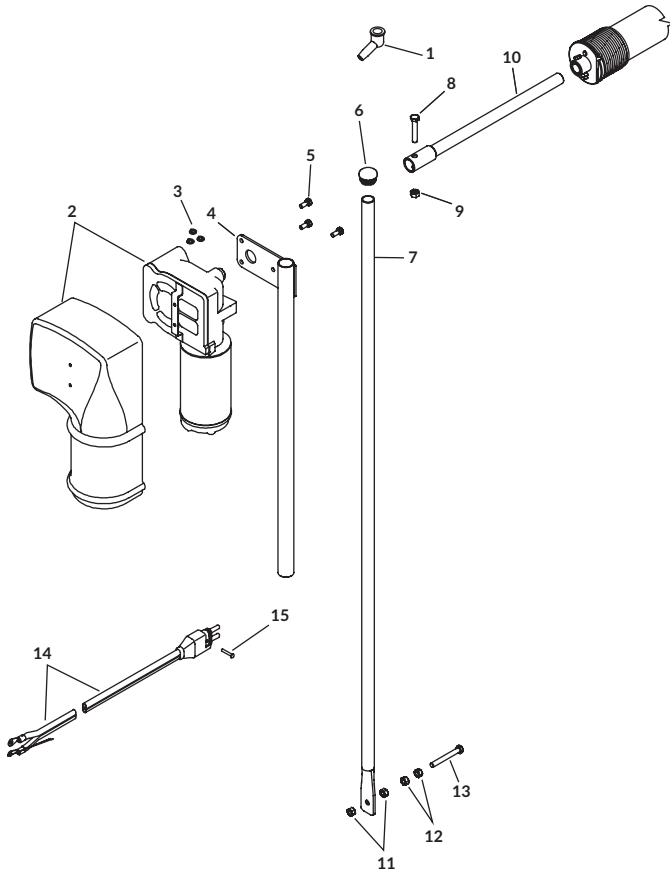
GENUINE CABLE-LOK™ REPLACEMENT PARTS

ELECTRICS – CAB WIRING KITS/DUAL CONDUCTOR KITS

PRICE	ITEM	PART #	DESCRIPTION
			WIRELESS OPTION
	1116928		Cab Wiring Kit - 40 Amp - Wireless - 20' [Includes 1; 7; 10; 2 of 2 & 4; 15 of 16]
	1120823		Tractor Wiring Kit - 40 Amp - Wireless - 30' [Includes 7; 10; 20; 22; 2 of 2, 4, 17, 18, 19, 23, 24 & 25; 15 of 16]
			ROCKER SWITCH OPTION
	1116473		Cab Wiring Kit - 40 Amp - Rocker Switch - 20' [Includes 1; 5; 7; 8; 9; 10; 11; 12; 14; 2 of 4, 13 & 15; 4 of 2; 5 of 6; 6 of 3; 15 of 16]
	1118368		Electrical Part Kit w/Rocker Switch - 40 Amp Modified [Includes 5; 7; 8; 9; 12; 14; 2 of 4, 13 & 15; 4 of 2; 5 of 6; 6 of 3]
			ELECTRICAL COMPONENTS
	1120855		Breaker Hardware [Includes 7; 2 of 2 & 4; 15 of 16]
	1	1115385	Heavy-Duty Dual-Conductor Plug - Vertical Pin
	2	1703245	Ring Terminal - 6 Ga. x #10 Stud - Motor/Breaker
	3	1702707	Ring Terminal - 6 Ga. x 1/4" Stud - Motor/Solenoid
	4	1703244	Ring Terminal - 6 Ga. x 3/8" Stud - Battery
	5	1704153	Ring Terminal - 14 Ga. x 1/4" Stud - Solenoid
	6	1703659	Push-On Terminal - 14 Ga. x 1/4" Switch/Solenoid
	7	1704354	40-Amp Modified Reset Circuit Breaker
	8	1116020	Rocker Switch
	9	1703661	Rocker Switch Mounting Bracket
	10	1119078	Dual-Conductor Wire - 6 Ga. - 20'
		1118495	Dual-Conductor Wire - 6 Ga. - 30'
	11	1116482	Electrical Wire - 14 Ga. Lead - 15'
	12	1703896	Solenoid Cover
	13	1701543	Nylon Lock Hex Nut - 1/4"
	14	1703845	Motor-Reversing Solenoid
	15	1700381	Hex Head Cap Screw - 1/4" x 1"
	16	1703231	Cable Tie - 8"
			DUAL CONDUCTOR KITS
	1109016		Two-Pole Connector w/Hardware [Includes 1; 16; 20; 22; 2 of 17, 18, 19, 23, 24 & 25]
	1109017		Dual-Conductor Hardware [Includes 2 of 17, 18, 19, 23, 24 & 25]
	17	1701045	Hex Head Cap Screw - 5/16" x 3/4"
	18	1700427	Flat Washer - 1/4"
	19	1704946	Top Lock Flange Nut - 5/16"
	20	1119557	Heavy-Duty Dual-Conductor Metal Socket w/Boot
	21	1704573	Sealing Boot - Socket Half Dual Conductor
	22	1109015	Conductor Plug Mounting Bracket
	23	1700407	Hex Nut - 3/8"
	24	1700434	Lock Washer - 3/8"
	25	1700400	Self-Tapping Screw - Non Corrosive Coating - 3/8" x 1"
	26	1121230	SMARTwire™ - 6 Ga. - Socket - 12'
		1121631	SMARTwire™ - 6 Ga. - Socket - 18'
		1704994	SMARTwire™ - 6 Ga. - Socket - 40'
	27	1125597	SMARTwire™ - 6 Ga. - Plug/Socket - 30'
	28	1704720	Wire Harness Seal



ELECTRICS – FRONT ARMS



PRICE	ITEM	PART #	DESCRIPTION
	1	1704330	Rubber Insulating Boot
	2	1121307	Durabuilt™ Motor w/Cover - 2-1/8" Shaft
	3	1700433	Lock Washer - 5/16"
		1201241	Stainless Lock Washer* - 5/16"
	4	1118224	Upper Pivot Arm - Black
	5	1201269	Stainless Hex Head Cap Screw* - 5/16" x 3/4"
	6	1701595	End Plug - 1"
	7	1118286	Lower Pivot Arm - 60"
		1118225	Stainless Lower Pivot Arm* - 60"
	8	1701468	Hex Head Cap Screw* - 5/16" x 1-3/4"
		1704334	Stainless Hex Head Cap Screw* - 5/16" x 1-3/4"
	9	1702492	Top Lock Hex Nut - 5/16"
		1704333	Stainless Top Lock Hex Nut - 5/16"
	10	1118221	Motor Extension - Black
	11	1702668	Top Lock Hex Nut - 3/8"
		1704336	Stainless Top Lock Hex Nut* - 3/8"
	12	1700407	Hex Nut - 3/8"
		1200999	Stainless Hex Nut* - 3/8"
	13	1704332	Hex Head Cap Screw - 3/8" x 3"
		1704335	Stainless Hex Head Cap Screw* - 3/8" x 2-1/2"
	14	1704987	SMARTwire™ - 6 Ga. - Plug x 1/4" Terminal - 10'9"
	15	1704751	Harness Lock Pin - 1/4" x 7/8"

*Used on stainless steel fertilizer boxes.

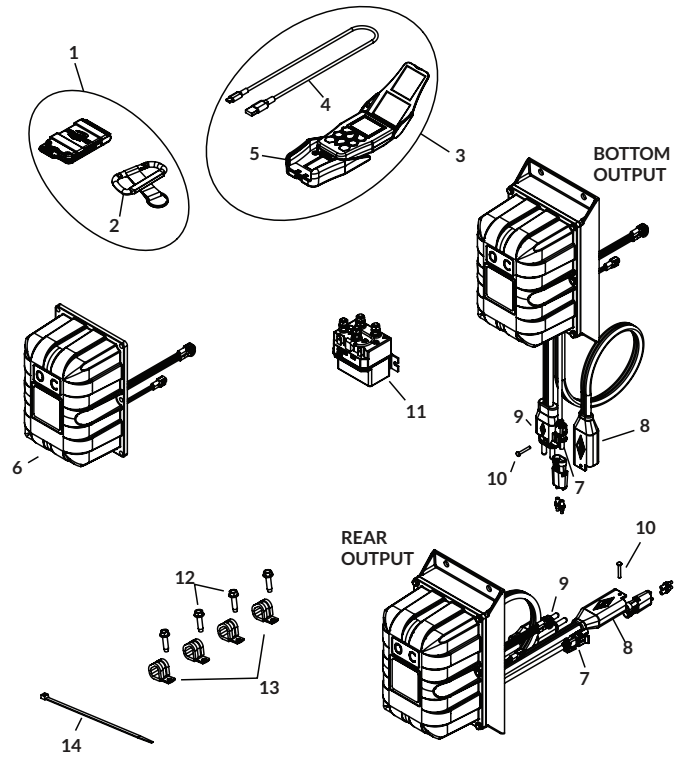
GENUINE CABLE-LOK™ REPLACEMENT PARTS

ELECTRICS – RECEIVER/REMOTE Non Express

PRICE	ITEM	PART #	DESCRIPTION
			SHURLINK™ RECIEVERS w/SMARTwire™
	1131616		ShurLink™ Receiver - Tarp - Non-Express - Bottom Output
	1131610		ShurLink™ Receiver - Tarp - Non-Express - Bottom Output - Stainless
			REMOTES
1	1131576		ShurLink EZR™ Remote
2	1704569		Carabiner Key Strap
3	1131575		ShurLink PRO™ Remote w/Cradle/Charging Cable
4	1706836		ShurLink PRO™ Charging Cable
5	1131764		ShurLink PRO™ Remote Cradle
			RECEIVER COMPONENTS
	1120906		Wire Retaining Hardware
6	1131674		ShurLink™ Solenoid Cover - Tarp - Non-Express
7	1121641		Encoder Wire - 18 Ga. - 6'4"
8	1120817		SMARTwire™ - 6 Ga. - Socket x 1/4" Terminal - 6'3"
9	1704705		SMARTwire™ - 6 Ga. - Plug x 1/4" Terminal - 2'4"
10	1704751		Harness Lock Pin - 1/4" x 7/8"
11	1703845		Motor-Reversing Solenoid
12	1704338		Self-Tapping Screw - 1/4" x 1"
13	1702108		Wire Clip - 3/4" ID
14	1703231		Cable Tie - 8"
15	1704378		Dielectric Connector Protector (not shown)

*Receivers include encoder wire but will NOT operate in Express Mode.

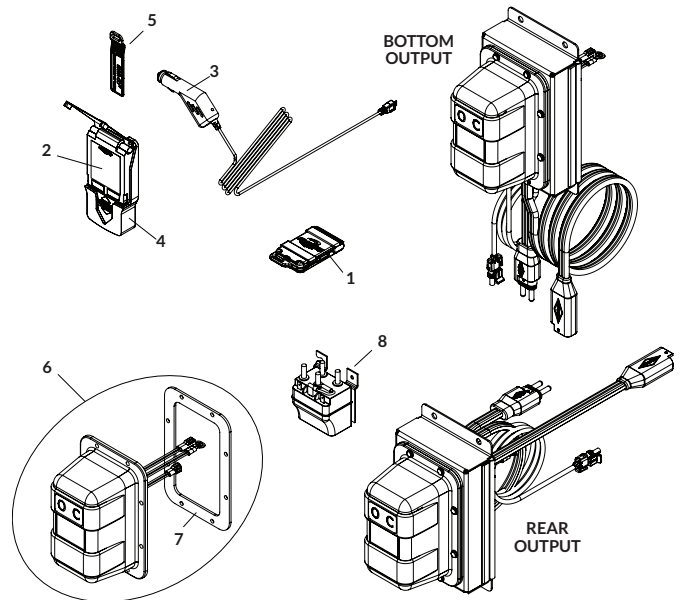
**Includes dielectric connector protector.



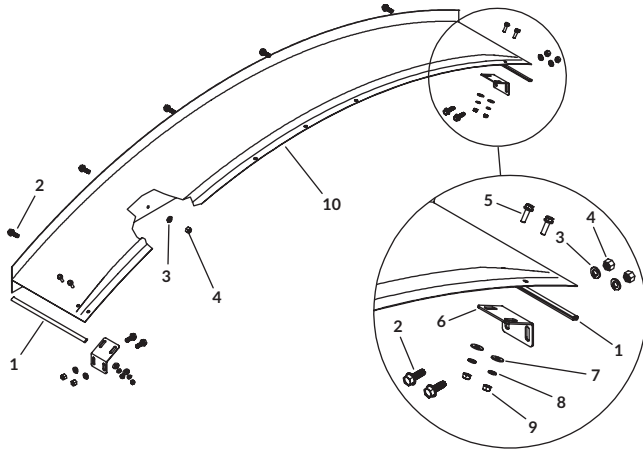
ELECTRICS – SMART3™ & SMART2™

PRICE	ITEM	PART #	DESCRIPTION
			REPLACEMENT RECEIVERS w/SMARTwire™
	1126900		SMART3™ Receiver - Tarp - Non-Express - Bottom Output
	1125608		SMART2™ Receiver - Tarp - Non-Express - Bottom Output
			REPLACEMENT REMOTES
1	1126867		SMART3™ Remote
2	1122231		SMART2™ Remote w/Cradle
3	1704958		SMART2™ Charging Cable
4	1124305		SMART2™ Remote Cradle
			REPLACEMENT COMPONENTS
5	1124817		Lanyard Ring
6	1126881		SMART3™ Solenoid Cover w/Gasket - Tarp - Non-Express
	1127074		SMART2™ Solenoid Cover w/Gasket - Tarp - Non-Express
7	1704309		Soled Cover Gasket - 1/8"
	1705791		Soled Cover Gasket - 1/4"
8	1704312		Motor-Reversing Solenoid

*Receivers include encoder wire but will NOT operate in Express Mode.



END CAPS – ALUMINUM FACE MOUNT

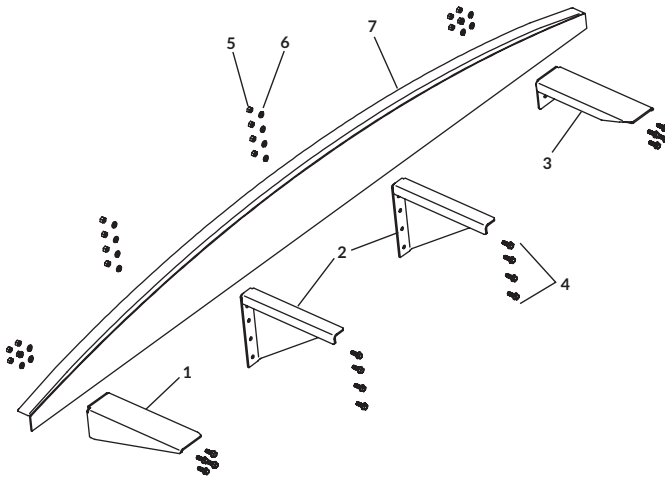


PRICE	ITEM	PART #	DESCRIPTION
		1118594	Cap Mounting Hardware - Bolt Kit [Includes 4 of 5, 7, 8 & 9; 9 of 2, 3 & 4]
		1118595	Cap Mounting Hardware w/Edge Trim [Includes 1; 4 of 5, 7, 8 & 9; 9 of 2, 3 & 4]
	1	1118596	Edge Trim - 30"
	2	1700400	Self-Tapping Screw - 3/8" x 1" (non-corrosive coating)
	3	1700434	Lock Washer - 3/8"
	4	1700407	Hex Nut - 3/8"
	5	1704441	Flange Screw - 5/16" x 1"
	6	1122607	Stainless End Cap Bracket - 6" Rise - Face Mount
		1122930	Stainless End Cap Bracket - 10" Rise - Face Mount
		1130241	End Cap Bracket - 6" Rise - Face Mount*
		1130242	End Cap Bracket - 10" Rise - Face Mount*
	7	1700428	Flat Washer - 5/16"
	8	1700433	Lock Washer - 5/16"
	9	1700411	Hex Nut - 5/16"
		ALUMINUM CAPS - FACE MOUNT	
	10		Aluminum Face Mount Cap - 6" Rise x 14" Deep x 93"
			Aluminum Face Mount Cap - 6" Rise x 14" Deep x 95"
			Aluminum Face Mount Cap - 6" Rise x 14" Deep x 101"
			Aluminum Face Mount Cap - 10" Rise x 14" Deep x 93"
			Aluminum Face Mount Cap - 10" Rise x 14" Deep x 95"
			Aluminum Face Mount Cap - 10" Rise x 14" Deep x 101"

*Cap rise is typically 2" less than rise of bow. Other rises available.

NOTE: All components other than standard may require a non-refundable \$100 special processing fee. Hardware not included. Call for details.

END CAPS – ALUMINUM INVERTED



PRICE	ITEM	PART #	DESCRIPTION
		MOUNTING HARDWARE	
	1	1124443	Cap/Cable Support - Left
	2	1123552	Cap/Cable Support - Center
	3	1124444	Cap/Cable Support - Right
	4	1700400	Self-Tapping Screw - Non Corrosive Coating - 3/8" x 1"
	5	1700407	Hex Nut - 3/8"
	6	1700434	Lock Washer - 3/8"
		ALUMINUM CAPS - INVERTED	
	7	1125751	Aluminum Inverted Cap* - 6" Rise x 93-1/2"
		1125749	Aluminum Inverted Cap* - 6" Rise x 95"
		1125750	Aluminum Inverted Cap* - 6" Rise - 100-1/2"

*Other rises available.

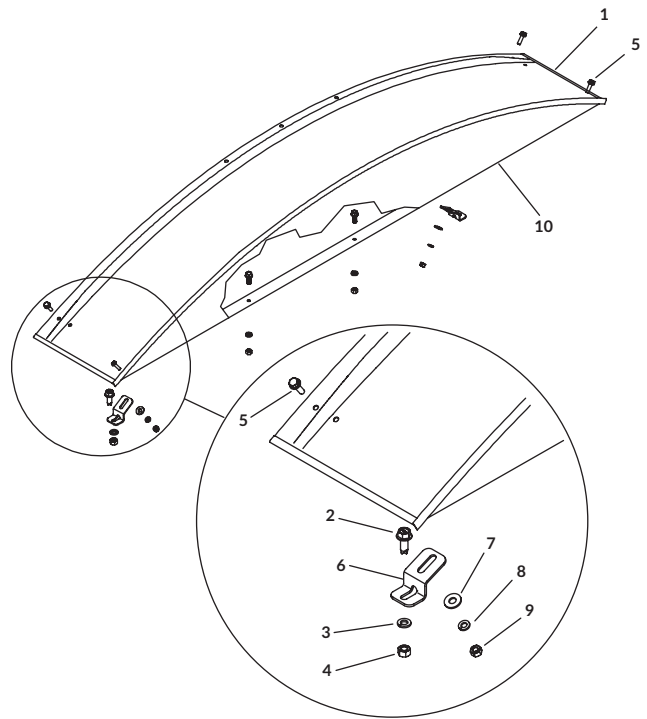
NOTE: All components other than standard may require a non-refundable \$100 special processing fee. Hardware not included. Call for details.

GENUINE CABLE-LOK™ REPLACEMENT PARTS

END CAPS – ALUMINUM TOP MOUNT

PRICE	ITEM	PART #	DESCRIPTION
MOUNTING HARDWARE			
		1118594	Cap Mounting Hardware - Bolt Kit [Includes 4 of 5, 7, 8 & 9; 9 of 2, 3 & 4]
		1118595	Cap Mounting Hardware w/Edge Trim [Includes 1; 4 of 5, 6, 7 & 9; 9 of 2, 3 & 4]
	1	1118596	Edge Trim - 30"
	2	1700400	Self-Tapping Screw - Non Corrosive Coating - 3/8" x 1"
	3	1700434	Lock Washer - 3/8"
	4	1700407	Hex Nut - 3/8"
	5	1704441	Flange Screw - 5/16" x 1"
	6	1118191	Powder-Coated End Cap Bracket* - 6" Rise
		1118192	Powder-Coated End Cap Bracket* - 10" Rise
	7	1700428	Flat Washer - 5/16"
	8	1700433	Lock Washer - 5/16"
	9	1700411	Hex Nut - 5/16"
ALUMINUM CAPS - TOP MOUNT			
	10		Top Mount Cap* - 6" Rise x 14" Deep - 93"
			Top Mount Cap* - 6" Rise x 14" Deep - 95"
			Top Mount Cap* - 6" Rise x 14" Deep - 101"
			Top Mount Cap* - 10" Rise x 14" Deep - 93"
			Top Mount Cap* - 10" Rise x 14" Deep - 95"
			Top Mount Cap* - 10" Rise x 14" Deep - 101"

*Cap rise is typically 2" less than rise of bow. Other rises available.

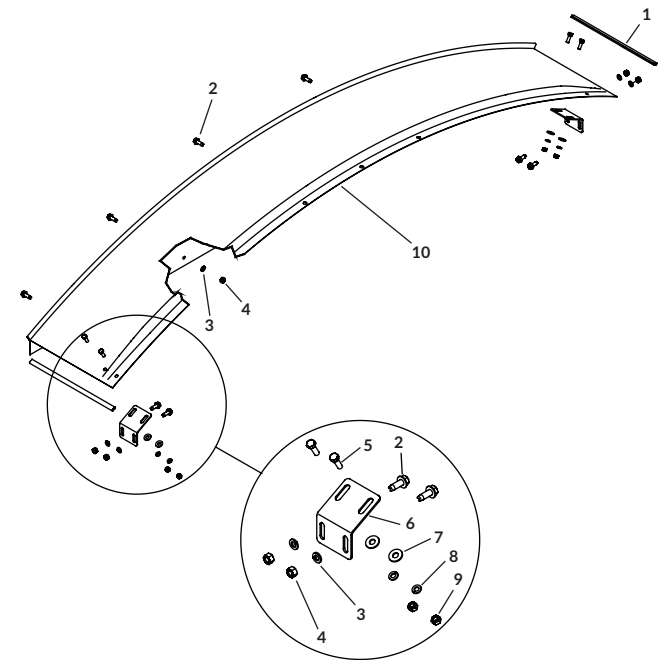


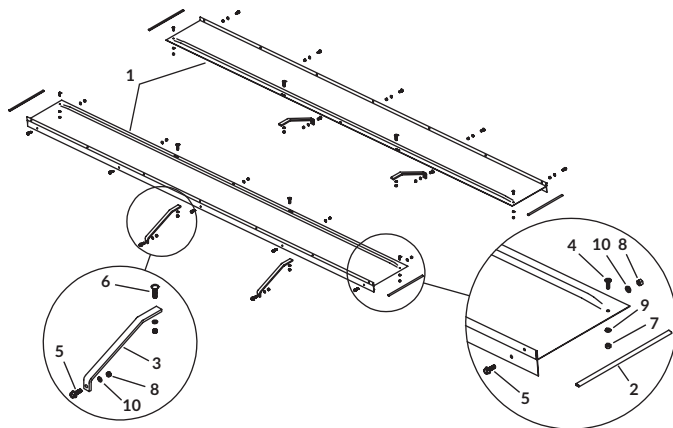
END CAPS – GALVANIZED STEEL FACE MOUNT

PRICE	ITEM	PART #	DESCRIPTION
		1118594	Cap Mounting Hardware - Bolt Kit [Includes 4 of 5, 6, 7 & 8; 9 of 2, 3 & 4]
		1118595	Cap Mounting Hardware w/Edge Trim [Includes 1; 4 of 5, 6, 7 & 8; 9 of 2, 3 & 4]
	1	1118596	Edge Trim - 30"
	2	1700400	Self-Tapping Screw - 3/8" x 1" (non-corrosive coating)
	3	1700434	Lock Washer - 3/8"
	4	1700407	Hex Nut - 3/8"
	5	1704441	Flange Screw - 5/16" x 1"
	6	1122607	Stainless End Cap Bracket - 6" Rise - Face Mount
		1122930	Stainless End Cap Bracket - 10" Rise - Face Mount
	7	1700428	Flat Washer - 5/16"
	8	1700433	Lock Washer - 5/16"
	9	1700411	Hex Nut - 5/16"
GALVANIZED CAPS - FACE MOUNT			
	10	1118896	Galvanized Face Mount Cap - 6" Rise x 14" Deep x 89"
		1118804	Galvanized Face Mount Cap - 6" Rise x 14" Deep x 93"
		1118613	Galvanized Face Mount Cap - 6" Rise x 14" Deep x 95"
		1118614	Galvanized Face Mount Cap - 6" Rise x 14" Deep x 101"
		1118892	Galvanized Face Mount Cap - 10" Rise x 14" Deep x 89"
		1118800	Galvanized Face Mount Cap - 10" Rise x 14" Deep x 93"
		1118605	Galvanized Face Mount Cap - 10" Rise x 14" Deep x 95"
		1118606	Galvanized Face Mount Cap - 10" Rise x 14" Deep x 101"
		1118607	Galvanized Face Mount Cap - 10" Rise x 14" Deep x 119"
		1118875	Galvanized Face Mount Cap - 10" Rise x 14" Deep x 143"

*Cap rise is typically 2" less than rise of bow. Other rises available.

NOTE: All components other than standard may require a non-refundable \$100 special processing fee. Hardware not included. Call for details.

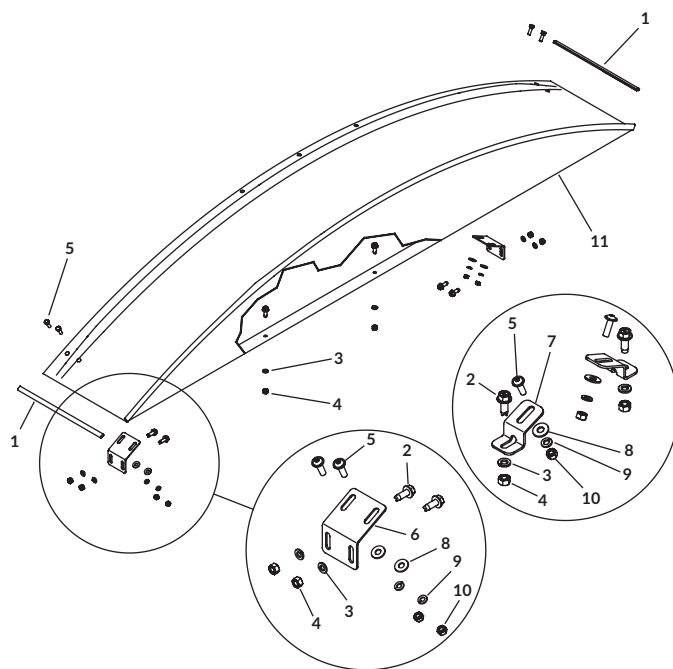




END CAPS – GALVANIZED STEEL FLAT

PRICE	ITEM	PART #	DESCRIPTION
	1	1119747	Galvanized Square Cap - Flat x 14" Deep - 131"
		1119743	Galvanized Square Cap - Flat x 14" Deep - 143"
	2	1118596	Edge Trim - 30"
	3	1119746	Cap Support Brace*
	4	1704441	Flange Screw - 5/16" x 1"
	5	1700400	Self-Tapping Screw - Non Corrosive Coating - 3/8" x 1"
	6	1703964	Truss Head Machine Screw - 3/8" x 1-1/4"
	7	1700411	Hex Nut - 5/16"
	8	1700407	Hex Nut - 3/8"
	9	1700433	Lock Washer - 5/16"
	10	1700434	Lock Washer - 3/8"

*Cart MUST have vertical side walls for cap brace to work correctly.



END CAPS – GALVANIZED STEEL TOP MOUNT

PRICE	ITEM	PART #	DESCRIPTION
			MOUNTING HARDWARE
		1118594	Cap Mounting Hardware - Bolt Kit [Includes 4 of 5, 8, 9 & 10; 9 of 2, 3 & 4]
		1118595	Cap Mounting Hardware w/Edge Trim [Includes 1; 4 of 5, 8, 9 & 10; 9 of 2, 3 & 4]
	1	1118596	Edge Trim - 30"
	2	1700400	Self-Tapping Screw - Non Corrosive Coating - 3/8" x 1"
	3	1700434	Lock Washer - 3/8"
	4	1700407	Hex Nut - 3/8"
	5	1704441	Flange Screw - 5/16" x 1"
	6	1118191	Powder-Coated End Cap Bracket* - 6" Rise
	7	1118192	Powder-Coated End Cap Bracket* - 10" Rise
	8	1700428	Flat Washer - 5/16"
	9	1700433	Lock Washer - 5/16"
	10	1700411	Hex Nut - 5/16"
			GALVANIZED CAPS - TOP MOUNT
	11	1118894	Top Mount Cap* - 6" Rise x 14" Deep - 89"
		1118807	Top Mount Cap* - 6" Rise x 14" Deep - 93"
		1118615	Top Mount Cap* - 6" Rise x 14" Deep - 95"
		1118616	Top Mount Cap* - 6" Rise x 14" Deep - 101"
		1118888	Top Mount Cap* - 10" Rise x 14" Deep - 89"
		1118803	Top Mount Cap* - 10" Rise x 14" Deep - 93"
		1118608	Top Mount Cap* - 10" Rise x 14" Deep - 95"
		1118609	Top Mount Cap* - 10" Rise x 14" Deep - 101"
		1118610	Top Mount Cap* - 10" Rise x 14" Deep - 119"
		1118878	Top Mount Cap* - 10" Rise x 14" Deep - 143"

*Cap rise is typically 2" less than rise of bow. Other rises available.

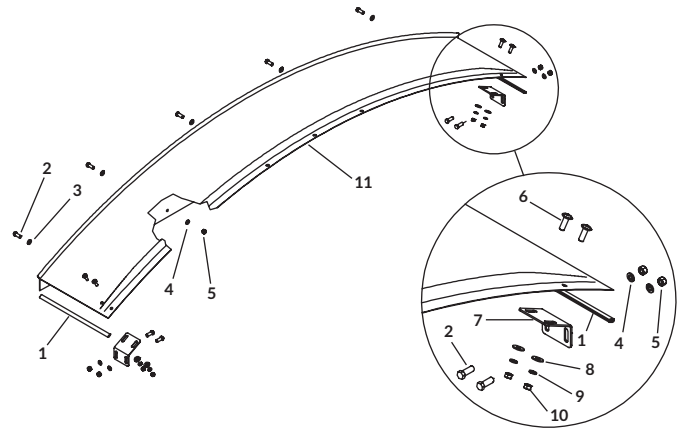
NOTE: All components other than standard may require a non-refundable \$100 special processing fee. Hardware not included. Call for details.

GENUINE CABLE-LOK™ REPLACEMENT PARTS

END CAPS – STAINLESS STEEL FACE MOUNT

PRICE	ITEM	PART #	DESCRIPTION
MOUNTING HARDWARE			
		1130272	End Cap Window Kit
		1118737	Stainless Cap Mounting Hardware - Bolt Kit [Includes 4 of 6, 8, 9 & 10; 9 of 2, 3, 4 & 5]
		1118738	Stainless Cap Mounting Hardware w/Edge Trim [Includes 1; 4 of 6, 8, 9 & 10; 9 of 2, 3, 4 & 5]
1		1118596	Edge Trim - 30"
		1119028	Edge Guard - 110"
2		1703579	Stainless Hex Head Cap Screw - 3/8" x 1"
3		1703577	Stainless Flat Washer - 3/8"
4		1703576	Stainless Lock Washer - 3/8"
5		1200999	Stainless Hex Nut - 3/8"
6		1704443	Stainless Flange Screw - 5/16" x 1"
7		1118191	Powder-Coated End Cap Bracket - 6" Rise - Top Mount
		1118192	Powder-Coated End Cap Bracket - 10" Rise - Top Mount
8		1201237	Stainless Flat Washer - 5/16"
9		1201241	Stainless Lock Washer - 5/16"
10		1201493	Stainless Nut - 5/16"
STAINLESS STEEL CAPS - FACE MOUNT			
11		1119301	Stainless Face Mount Cap - 6" Rise x 14" Deep x 87"
		1119276	Stainless Face Mount Cap - 6" Rise x 14" Deep x 89"
		1119313	Stainless Face Mount Cap - 6" Rise x 14" Deep x 91"
		1119239	Stainless Face Mount Cap - 6" Rise x 14" Deep x 93"
		1119264	Stainless Face Mount Cap - 6" Rise x 14" Deep x 95"
		1119288	Stainless Face Mount Cap - 6" Rise x 14" Deep x 101"
		1119296	Stainless Face Mount Cap - 10" Rise x 14" Deep x 87"
		1119271	Stainless Face Mount Cap - 10" Rise x 14" Deep x 89"
		1119308	Stainless Face Mount Cap - 10" Rise x 14" Deep x 91"
		1119252	Stainless Face Mount Cap - 10" Rise x 14" Deep x 93"
		1119259	Stainless Face Mount Cap - 10" Rise x 14" Deep x 95"
		1119283	Stainless Face Mount Cap - 10" Rise x 14" Deep x 101"

*Cap rise is typically 2" less than rise of bow. Other rises available.

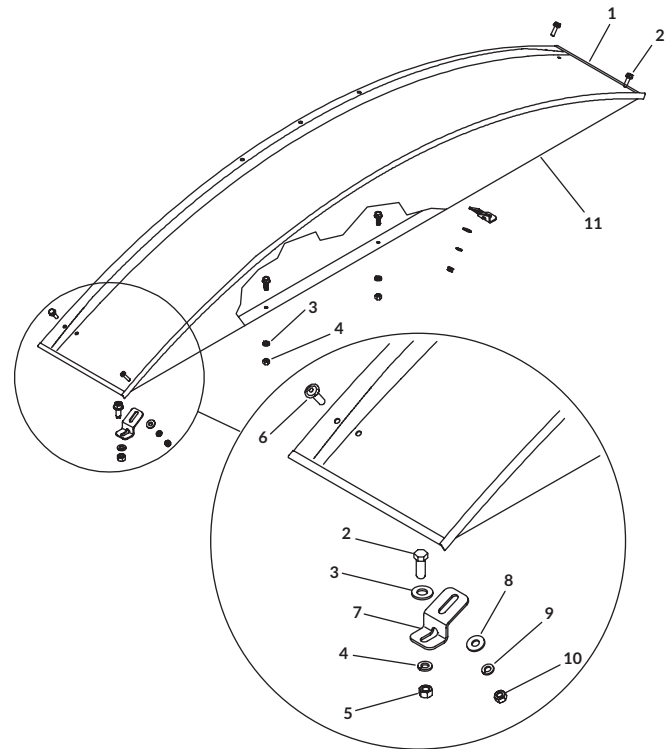


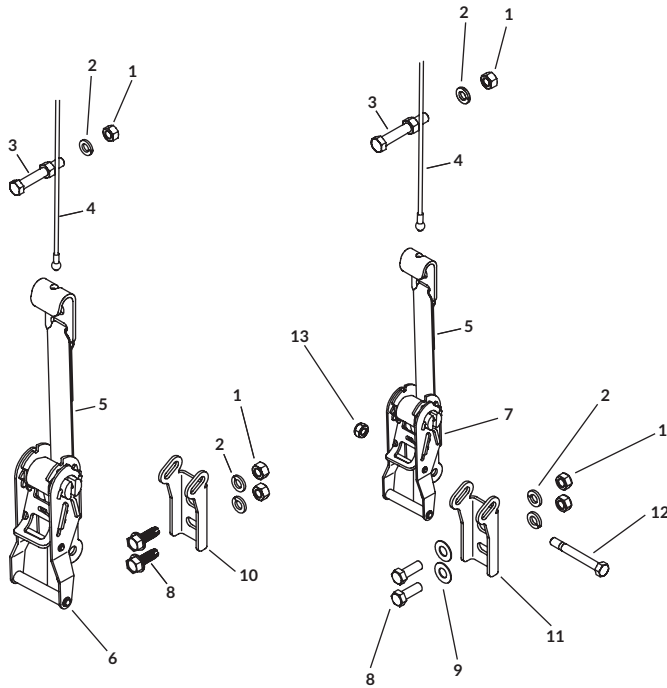
END CAPS – STAINLESS STEEL TOP MOUNT

PRICE	ITEM	PART #	DESCRIPTION
MOUNTING HARDWARE			
		1130272	End Cap Window Kit
		1118737	Stainless Cap Mounting Hardware - Bolt Kit [Includes 4 of 6, 8, 9 & 10; 9 of 2, 3, 4 & 5]
		1118738	Stainless Cap Mounting Hardware w/Edge Trim [Includes 1; 4 of 6, 8, 9 & 10; 9 of 2, 3, 4 & 5]
1		1118596	Edge Trim - 30"
		1119028	Edge Guard - 110"
2		1703579	Stainless Hex Head Cap Screw - 3/8" x 1"
3		1703577	Stainless Flat Washer - 3/8"
4		1703576	Stainless Lock Washer - 3/8"
5		1200999	Stainless Hex Nut - 3/8"
6		1704443	Stainless Flange Screw - 5/16" x 1"
7		1118191	Powder-Coated End Cap Bracket - 6" Rise - Top Mount
		1118192	Powder-Coated End Cap Bracket - 10" Rise - Top Mount
8		1201237	Stainless Flat Washer - 5/16"
9		1201241	Stainless Lock Washer - 5/16"
10		1201493	Stainless Nut - 5/16"
STAINLESS STEEL CAPS - TOP MOUNT			
11		1119279	Top Mount Cap* - 6" Rise x 14" Deep - 89"
		1119316	Top Mount Cap* - 6" Rise x 14" Deep - 91"
		1119242	Top Mount Cap* - 6" Rise x 14" Deep - 93"
		1119267	Top Mount Cap* - 6" Rise x 14" Deep - 95"
		1119291	Top Mount Cap* - 6" Rise x 14" Deep - 101"
		1119299	Top Mount Cap* - 10" Rise x 14" Deep - 87"
		1119274	Top Mount Cap* - 10" Rise x 14" Deep - 89"
		1119311	Top Mount Cap* - 10" Rise x 14" Deep - 91"
		1119255	Top Mount Cap* - 10" Rise x 14" Deep - 93"
		1119262	Top Mount Cap* - 10" Rise x 14" Deep - 95"
		1119286	Top Mount Cap* - 10" Rise x 14" Deep - 101"

*Cap rise is typically 2" less than rise of bow. Other rises available.

NOTE: All components other than standard may require a non-refundable \$100 special processing fee. Hardware not included. Call for details.





RATCHET/CABLE ASSEMBLIES

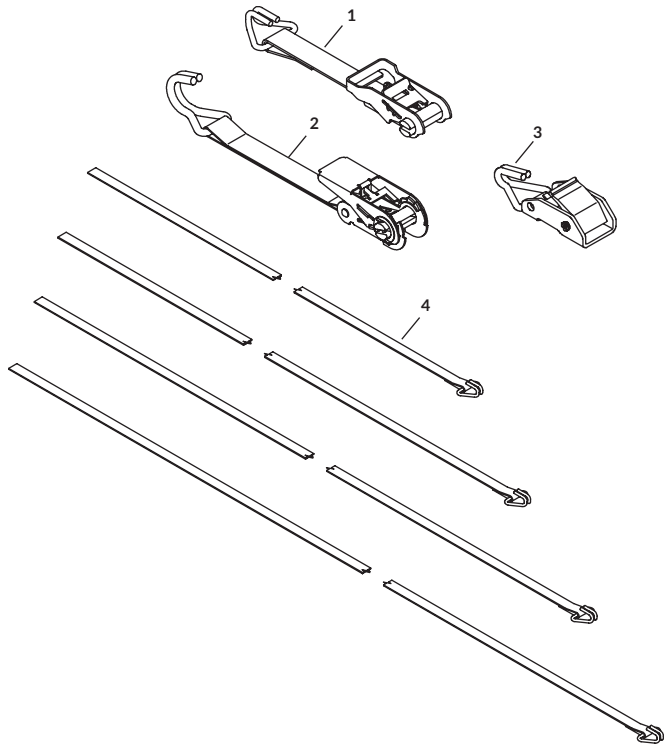
PRICE	ITEM	PART #	DESCRIPTION
		1118993	Ratchet Strap (18")/Cable Kit* - 139" Galvanized [Includes 3; 4; 5; 2 of 8; 3 of 2; 4 of 1]
		1119423	Ratchet Strap (18")/Cable Kit* - 139" Stainless [Includes 3; 4; 5; 2 of 8 & 9; 3 of 2; 4 of 1]
		1118994	Ratchet Strap (18")/Cable Kit* - 151" Galvanized [Includes 3; 4; 5; 2 of 8; 3 of 2; 4 of 1]
		1119320	Ratchet Strap (18")/Cable Kit* - 175" Galvanized [Includes 3; 4; 5; 2 of 8; 3 of 2; 4 of 1]
		1118995	Ratchet Strap (42")/Cable Kit* - 139" Galvanized [Includes 3; 4; 5; 2 of 8; 3 of 2; 4 of 1]
		1119424	Ratchet Strap (42")/Cable Kit* - 139" Stainless [Includes 3; 4; 5; 2 of 8 & 9; 3 of 2; 4 of 1]
		1118996	Ratchet Strap (42")/Cable Kit* - 151" Galvanized [Includes 3; 4; 5; 2 of 8; 3 of 2; 4 of 1]
		1119321	Ratchet Strap (42")/Cable Kit* - 175" Galvanized [Includes 3; 4; 5; 2 of 8; 3 of 2; 4 of 1]
		1129609	Ratchet Strap Assembly - 18" X 1"
		1122608	Stainless Ratchet Strap Assembly - 18" [Includes 5; 7; 11; 12; 13]
		1129610	Ratchet Strap Assembly - 42" X 1"
		1122793	Stainless Ratchet Strap Assembly - 42" [Includes 5; 7; 11; 12; 13]
	1	1700407	Hex Nut - 3/8"
		1200999	Stainless Hex Nut - 3/8"
	2	1700434	Lock Washer - 3/8"
		1703576	Stainless Lock Washer - 3/8"
	3	1702573	Hex Head Cap Screw - 3/8" x 2-1/2"
		1704429	Stainless Hex Head Cap Screw - 3/8" x 2-1/2"
	4	1704295	Galvanized Cable* - 139"
		1705280	Stainless Cable* - 139"
		1704294	Galvanized Cable* - 151"
		1704514	Galvanized Cable* - 175"
	5	1129611	Ratchet Strap - 18" x 1"
		1129612	Ratchet Strap - 42" x 1"
		1122609	Stainless Ratchet Strap - 18" x 1"
		1122794	Stainless Ratchet Strap - 42" x 1"
	6	1706493	Ratchet Handle - 1"
	7	1705066	Stainless Ratchet Handle - 1"
	8	1700400	Self-Tapping Screw - Non Corrosive Coating - 3/8" x 1"
		1703579	Stainless Hex Head Cap Screw - 3/8" x 1"
	9	1703577	Stainless Flat Washer - 3/8"
	10	1129613	Adjustable Ratchet Bracket
	11	1122610	Stainless Adjustable Ratchet Bracket
	12	1705067	Stainless Hex Head Cap Screw - 5/16" x 2"
	13	1704431	Stainless Lock Nut - 5/16"

*On boxes up to 102" wide, use 139" cables; on boxes 103" to 120" wide, use 151" cables; and on boxes 121" to 144" wide, use 175" cables.

GENUINE CABLE-LOK™ REPLACEMENT PARTS

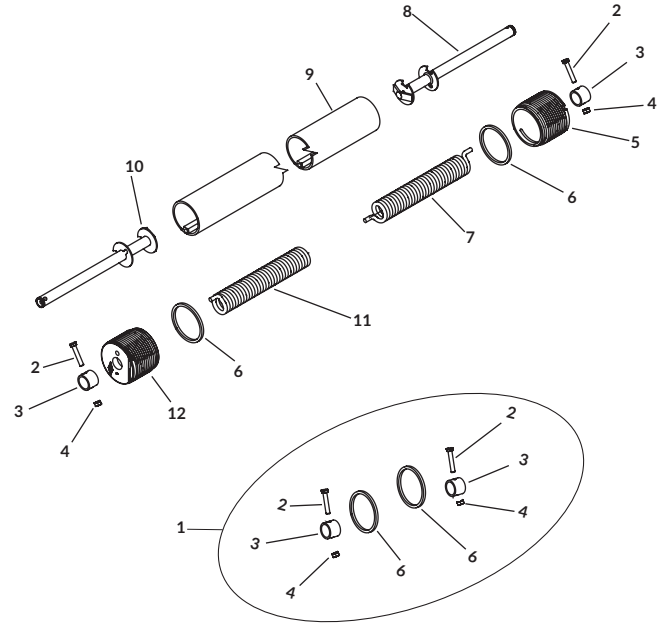
RIDGE STRAPS

PRICE	ITEM	PART #	DESCRIPTION
		1118521	Ridge Strap Kit w/Hook - 1" x 10' [Includes 1; 4]
		1118523	Ridge Strap Kit w/Hook - 1" x 14' [Includes 1; 4]
		1121405	Ridge Strap Kit w/Hook - 1" x 18' [Includes 1; 4]
		1118525	Ridge Strap Kit w/Hook - 1" x 24' [Includes 1; 4]
		1118513	Powder-Coated Ridge Strap Kit w/Hook - 1" x 10' [Includes 3; 4]
		1118515	Powder-Coated Ridge Strap Kit w/Hook - 1" x 14' [Includes 3; 4]
		1118517	Powder-Coated Ridge Strap Kit w/Hook - 1" x 18' [Includes 3; 4]
		1118519	Powder-Coated Ridge Strap Kit w/Hook - 1" x 24' [Includes 3; 4]
		1120301	Stainless Ridge Strap Kit w/Hook - 1" x 10' [Includes 2; 4]
		1120302	Stainless Ridge Strap Kit w/Hook - 1" x 14' [Includes 2; 4]
		1121407	Stainless Ridge Strap Kit w/Hook - 1" x 18' [Includes 2; 4]
		1121409	Stainless Ridge Strap Kit w/Hook - 1" x 24' [Includes 2; 4]
	1	1118511	Ratchet w/1" Ridge Strap
	2	1120300	Stainless Ratchet w/1" Ridge Strap
	3	1118509	Buckle Weldment
	4	1118520	Ridge Strap w/Hook - 1" x 10'
		1118512	Powder-Coated Ridge Strap w/Hook - 1" x 10'
		1120298	Stainless Ridge Strap w/Hook - 1" x 10'
		1118522	Ridge Strap w/Hook - 1" x 14'
		1118514	Powder-Coated Ridge Strap w/Hook - 1" x 14'
		1120299	Stainless Ridge Strap w/Hook - 1" x 14'
		1121406	Ridge Strap w/Hook - 1" x 18'
		1118516	Powder-Coated Ridge Strap w/Hook - 1" x 18'
		1121408	Stainless Ridge Strap w/Hook - 1" x 18'
		1118524	Ridge Strap w/Hook - 1" x 24'
		1118518	Powder-Coated Ridge Strap w/Hook - 1" x 24'
		1121410	Stainless Ridge Strap w/Hook - 1" x 24'



TARP SPOOL ASSEMBLIES

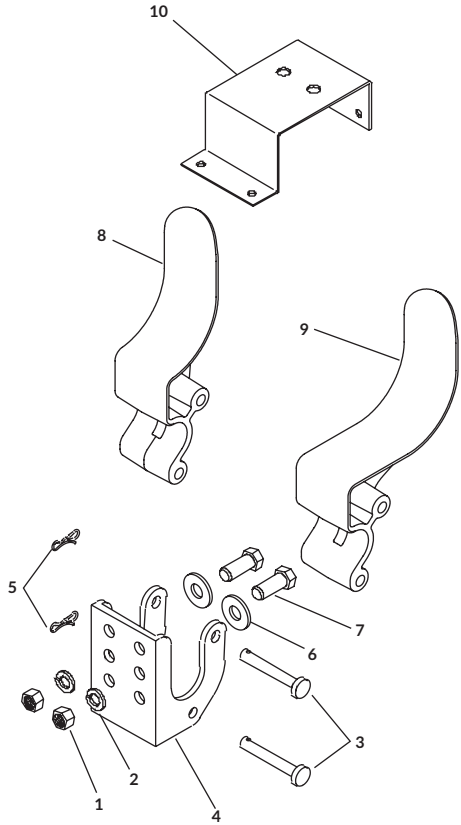
PRICE	ITEM	PART #	DESCRIPTION
			Aluminum Roll Tube w/Cartridges Installed - 12' [Includes 8; 9; 10]
			Aluminum Roll Tube w/Cartridges Installed - 16' [Includes 8; 9; 10]
			Aluminum Roll Tube w/Cartridges Installed - 20' [Includes 8; 9; 10]
			Aluminum Roll Tube w/Cartridges Installed - 24' [Includes 8; 9; 10]
		1131363	Spool & Spring Kit - 3" [Includes 1; 5; 7; 11 & 12]
		1131364	Spool & Spring Kit - 3-1/2" [Includes 1; 5; 7; 11 & 12]
	1	1118537	Spool Mounting Hardware [Includes 6; 2 of 2; 3 & 4]
	2	1701468	Hex Head Cap Screw - 5/16" x 1-3/4"
		1704334	Stainless Hex Head Cap Screw - 5/16" x 1-3/4"
	3	1118228	Cartridge Spacer
	4	1702492	Top Lock Hex Nut - 5/16"
		1704333	Stainless Lock Hex Nut - 5/16"
	5	1704373	Rear Cable Spool - 3" Right
		1704436	Rear Cable Spool - 3-1/2" Right
	6	1123955	O-Ring Seal Kit (Includes 2 O-Rings)
	7	1118229	Rear Spring (red)
	8	1123953	Rear Cartridge Kit (red)
	9		Roll Tube*
	10	1123952	Front Cartridge Kit (black)
	11	1118230	Front Spring (black)
	12	1704372	Front Cable Spool - 3" Left
		1704435	Front Cable Spool - 3-1/2" Left



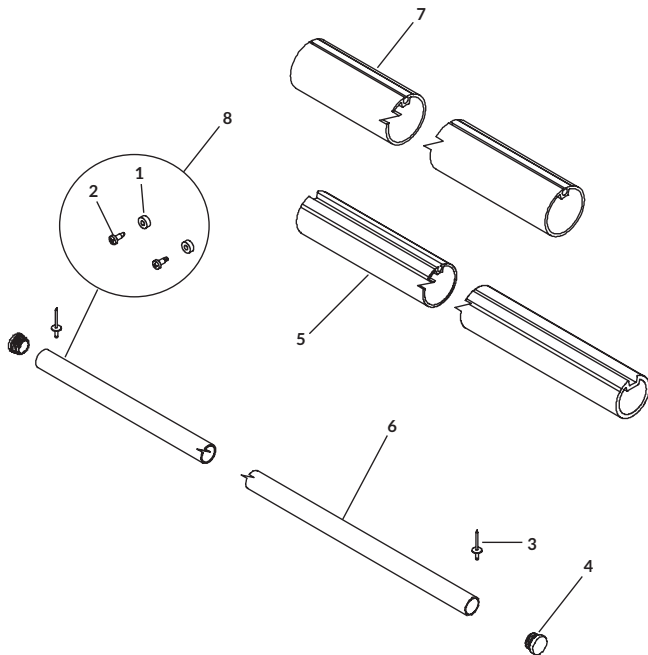
NOTE: Carts over 10' wide receive a 3-1/2" spool.

*Box length needed in inches. For aluminum roll tube pricing, see Tarp Tube pricing chart on next page.

TARP STOPS – ALUMINUM EASY-OFF



PRICE	ITEM	PART #	DESCRIPTION
TARP STOPS W/MOUNTING HARDWARE			
	1124780		Easy-Off Aluminum (Cast) Stop w/Hardware [Includes 4; 8; 2 of 1, 2, 3, 5 & 7]
	1124783		Easy-Off Aluminum (Cast) 6" Offset Stop w/Hardware [Includes 4; 9; 2 of 1, 2, 3, 5 & 7]
	1124781		Powder-Coated Easy-Off Aluminum (Cast) Stop w/Hardware [Includes 4; 8; 2 of 1, 2, 3, 5, 6 & 7]
	1124784		Powder-Coated Easy-Off Aluminum (Cast) 6" Offset Stop w/Hardware [Includes 4; 9; 2 of 1, 2, 3, 5, 6 & 7]
	1124816		Easy-Off Aluminum (Cast)/Stainless Body w/Hardware [Includes 4; 8; 2 of 1, 2, 3, 5, 6 & 7]
	1124782		Powder-Coated Easy-Off Aluminum (Cast)/Stainless Body w/Hardware [Includes 4; 8; 2 of 1, 2, 3, 5, 6 & 7]
	1118389		Bowtie Cotter Pin/Ring Assy [Includes 2 of 3 & 5]
1	1700407		Hex Nut - 3/8"
	1200999		Stainless Hex Nut - 3/8"
2	1700434		Lock Washer - 3/8"
	1703576		Stainless Lock Washer - 3/8"
3	1703604		Clevis Pin - 5/16" x 2-7/8"
4	1100833		Easy-Off Tarp Stop Body
	1118268		Powder-Coated Easy-Off Tarp Stop Body
	1116975		Stainless Easy-Off Tarp Stop Body
5	1704380		Bowtie Cotter Pin - 1-3/8"
6	1703577		Stainless Flat Washer - 3/8"
7	1700400		Self-Tapping Screw - Non Corrosive Coating - 3/8" x 1"
	1703579		Stainless Hex Head Cap Screw - 3/8" x 1"
8	1705775		Easy-Off Aluminum (Cast) Stop Upright
	1124770		Powder-Coated Easy-Off Aluminum (Cast) Stop Upright
9	1705454		Easy-Off Aluminum (Cast) 6" Offset Stop Upright
	1124772		Powder-Coated Easy-Off Aluminum (Cast) 6" Offset Stop Upright
10	1100814		Tarp Stop Bracket



TARP TUBES

PRICE	ITEM	PART #	DESCRIPTION
	1	1118037	Plastic Washer - Black
	2	1700398	Self-Drilling Screw - 1/4" x 3/4"
	3	1704337	Blind Rivet - 3/16" x 3/8"
	4	1700523	Plastic End Plug
	5	1704863	Aluminum Splice Tube - 3'
	6		Fixed Tube* - 1-1/8" x 16'
			Fixed Tube* - 1-1/8" x 8'
			Fixed Tube* - 1-1/8" x 20'
			Fixed Tube* - 1-1/8" x 11'
			Fixed Tube* - 1-1/8" x 24'
			Fixed Tube* - 1-1/8" x 15'
			Stainless Fixed Tube* - 1" x 12'
			Stainless Fixed Tube* - 1" x 16'
			Stainless Fixed Tube* - 1" x 20'
			Stainless Fixed Tube* - 1" x 24'
	7		Aluminum Roll Tube* - 3" x 12'
			Aluminum Roll Tube* - 3" x 16'
			Aluminum Roll Tube* - 3" x 20'
			Aluminum Roll Tube* - 3" x 24'
	8	1118536	Fixed Tube Stop Hardware [Includes 2 of 1 & 2]

*Box length is needed in inches; tarp tube is cut to length.

GENUINE CABLE-LOK™ CROSS-REFERENCE CHART

Genuine Shur-Co® replacement parts are proven to both fit and function better. For quality performance, go with the name you can trust. Remember that utilizing non-Genuine parts may void your warranty.

Our Cross-Reference Chart on this and the following page helps you replace parts on competitor systems with Genuine Shur-Co® replacements. For your convenience, we also have a comprehensive numerical listing of Shur-Co® parts and prices in Section 8.

DESCRIPTION	OTHER	SHUR-CO® PART #
CABLES		
Galvanized Cable - 175"	10938	1704514
Galvanized Cable - 151"	10939	1704294
Galvanized Cable - 139"	10940	1704295
Stainless Cable - 139"	10941	1705280
Ratchet Strap - 18"/Stainless Cable Kit - 139"	50679	1119423
Ratchet Strap - 18"/Galvanized Cable Kit - 139"	50635	1118993
Ratchet Strap - 42"/Galvanized Cable Kit - 151"	60463	1118996
Ratchet Strap - 42"/Galvanized Cable Kit - 175"	50603	1119321
CARTRIDGES		
Rear Cartridge Kit - Red	40835	1123953
Rear Cartridge Kit - Red	40818	1123953
Front Cartridge Kit - Black	40839	1123952
Front Cartridge Kit - Black	40812	1123952
Front Cartridge Kit - 33" - Red	40863	1130673
Front Cartridge Kit - 33" - Black	40856	1130674
Cartridge Spacer	10734	1118228
CRANKS/RETAINERS		
Galvanized Telescoping/Indexing Crank w/Flex Joint - Extends 4'9" to 7'10"	4000930	1123809
Galvanized Telescoping/Indexing Crank w/Flex Joint - Extends 6'1" to 9'4"	4000931	1123813
Galvanized Telescoping/Indexing Crank w/Flex Joint - Extends 8'3" to 11'6"	4000931	1123817
Galvanized Telescoping/Indexing Crank w/Flex Joint - Extends 9'7" to 12'10"	4000932	1123821
Galvanized Telescoping/Indexing Crank - Extends 4'9" to 7'10"	70606	1123810
Galvanized Telescoping/Indexing Crank - Extends 6'1" to 9'4"		1123814
Galv Telescoping/Indexing Crank - Extends 8'3" to 11'6"	70649	1123818
Galvanized Telescoping/Indexing Crank - Extends 9'7" to 12'10"	70686	1123822
Stainless Telescoping/Indexing Crank w/Flex Joint - Extends 4'9" to 7'10"	4000930	1123811
Stainless Telescoping/Indexing Crank w/Flex Joint - Extends 6'1" to 9'4"	4000931	1123815
Stainless Telescoping/Indexing Crank w/Flex Joint - Extends 8'3" to 11'6"	4000931	1123819
Stainless Telescoping/Indexing Crank w/Flex Joint - Extends 9'7" to 12'10"	4000932	1123823
Galvanized Telescoping/Indexing Crank w/Flex Joint - Extends 14'3" to 17'	4000933	1123825
Stainless Telescoping/Indexing Crank - Extends 4'9" to 7'10"		1123812
Stainless Telescoping/Indexing Crank - Extends 6'1" to 9'4"		1123816
Stainless Telescoping/Indexing Crank - Extends 8'3" to 11'6"		1123820
Stainless Telescoping/Indexing Crank - Extends 9'7" to 12'10"		1123824
Flex Arm Joint Assembly - 12"	70150	1118722
Telescoping Crank Retainer Kit	30527	1123756
Stainless Telescoping Crank Retainer Kit	70235	1123905
Stainless Crank Retainer Assembly	4004733	1125204
Stainless Snaplock Retainer	4003646	1130839
Wire Lock Pin - 1/4" Dia. x 2" Round	4001978	1705262
CABLE-LOK™ KITS - DURABUILT™ MOTOR		
Cable-Lok™ Electric - Durabuilt - Farm Box - Rocker - 75' Wire		1119518
Cable-Lok™ Electric - Durabuilt - Farm Box w/SMARTwire™ - ShurLink EZR™		1131734
Cable-Lok™ Electric Durabuilt - Farm Box - Rocker - 75' Wire - Stainless		1123970
Cable-Lok™ Electric - Durabuilt - Farm Box w/SMARTwire™ - ShurLink EZR™ - Stainless		1131736
Cable-Lok™ Electric - Durabuilt - Fertilizer Tender - Rocker - Stainless		1119514
Cable-Lok™ Electric - Durabuilt - Fertilizer Tender w/SMARTwire™ - ShurLink EZR™ - Stainless		1131737
Cable-Lok™ Electric - Durabuilt - Fertilizer Tender Trailer - Rocker - Stainless		1123973
Cable-Lok™ Electric - Durabuilt - Fertilizer Tender Trailer w/SMARTwire™ - ShurLink EZR™ - Stainless		1131738
Cable-Lok™ Electric - Durabuilt - Belly Dump - Rocker - 50' Wire - Front Mount		1125873
Cable-Lok™ Electric - Durabuilt - Belly Dump - Rocker - 75' Wire - Rear Mount		1125872
CABLE-LOK™ KITS - SMARTDrive™ MOTOR		
Cable-Lok™ Electric - SMARTdrive™ - Farm Box - Rocker		1131740
Cable-Lok™ Electric - SMARTdrive™ - Farm Box - Rocker - Stainless		1131749
Cable-Lok™ Electric - SMARTdrive™ - Farm Box - ShurLink EZR™		1131755
Cable-Lok™ Electric - SMARTdrive™ - Farm Box - ShurLink EZR™ - Stainless		1131744
Cable-Lok™ Electric - SMARTdrive™ - Fertilizer Tender - Rocker - Stainless		1131741
Cable-Lok™ Electric - SMARTdrive™ - Fertilizer Tender w/SMARTwire™ - ShurLink EZR™ - Stainless		1131748
Cable-Lok™ Electric - SMARTdrive™ - Fertilizer Tender Trailer w/SMARTwire™ - ShurLink EZR™ - Stainless		1131739
PARTS		
Durabuilt™ Motor w/Cover - 2-1/8" Shaft	50676	1121307
Upper Pivot Arm - Black	10774	1118224
Lower Pivot Arm - 60"	30638	1118286
Stainless Lower Pivot Arm - 60"		1118225
End Plug - 1"	4001687	1701595
Motor Extension - Black	10333	1118221
Rubber Insulating Boot	70278	1704330
Motor-Reversing Solenoid	70498	1703845
Solenoid Cover		1703896
Rocker Switch	40649	1116020
Rocker Switch Mounting Bracket	40673	1703661
40-Amp Modified-Reset Circuit Breaker	10739	1704354
Electrical Wire - 14 Ga. Lead - 15'	40653	1116482
Heavy-Duty Dual-Conductor Plug - Vertical Pin	20048	1115385
Heavy-Duty Dual-Conductor Socket w/Boot - Vertical Pin	20047	1119557

GENUINE CABLE-LOK™ CROSS-REFERENCE CHART

DESCRIPTION	OTHER	SHUR-CO® PART #
END CAP COMPONENTS		
End Cap Window Kit	4005388	1130272
Edge Trim - 30"	90070	1118596
Stainless End Cap Bracket - 10" Rise - Face Mount	70337	1122930
Stainless End Cap Bracket - 10" Rise - Face Mount	30698	1122930
Stainless End Cap Bracket - 6" Rise - Face Mount	70319	1122607
Stainless End Cap Bracket - 6" Rise - Face Mount	30524	1122607
RATCHETS/STRAPS		
Ratchet Strap Assembly - 18" X 1"	80039	1129609
Stainless Ratchet Strap Assembly - 18"	80043	1122608
Ratchet Strap Assembly - 42" X 1"		1129610
Stainless Ratchet Strap Assembly - 42"		1122793
Ratchet Strap - 18" X 1"	70983	1129611
Stainless Ratchet Strap - 18" x 1"	70989	1122609
Ratchet Strap - 42" X 1"		1129612
Stainless Ratchet Strap - 42" x 1"		1122794
Ratchet Handle - 1"	70995	1706493
Stainless Ratchet Handle - 1"	70515	1705066
Adjustable Ratchet Bracket	71002	1118272
Adjustable Ratchet Bracket - 1"	4001024	1129613
Stainless Adjustable Ratchet Bracket	4001026	1122610
RIDGE STRAPS		
Ridge Strap Kit w/Hook - 1" x 10'	50414	1118521
Ridge Strap Kit w/Hook - 1" x 14'	30769	1118523
Ridge Strap Kit w/Hook - 1" x 18'	30683	1121405
Ridge Strap Kit w/Hook - 1" x 24'	30845	1118525
Stainless Ridge Strap Kit w/Hook - 1" x 10'	50428	1120301
Stainless Ridge Strap Kit w/Hook - 1" x 14'	40962	1120302
Stainless Ridge Strap Kit w/Hook - 1" x 18'	40963	1121407
Stainless Ridge Strap Kit w/Hook - 1" x 24'	50008	1121409
Powder-Coated Ridge Strap Kit w/Hook - 1" x 10'		1118513
Powder-Coated Ridge Strap Kit w/Hook - 1" x 14'		1118515
Powder-Coated Ridge Strap Kit w/Hook - 1" x 18'		1118517
Powder-Coated Ridge Strap Kit w/Hook - 1" x 24'		1118519
ROLL TUBES		
Aluminum Roll Tube - 3" x 24'	90956T282	1704236
Aluminum Roll Tube - 3" x 20'	90956T234	1704398
Aluminum Roll Tube - 3" x 16'	90956T186	1704439
Aluminum Roll Tube - 3" x 12'	90956T096	1118639
Aluminum Splice Tube - 3"	50064	1704863
Roll Tube Hardware - 3"	30673	1128513
SPOOLS		
Front Cable Spool - 3" Left	20547	1704372
Front Cable Spool - 3-1/2" Left	4000225	1704435
Rear Cable Spool - 3" Right	20548	1704373
Rear Cable Spool - 3-1/2" Right	4000226	1704436
O-Ring Seal Kit (Includes 2 O-Rings)	30553	1123955
SPRINGS		
Front Spring - Black	10828	1118230
Front Spring - Black	40983	1118230
Rear Spring - Red	10827	1118229
Rear Spring - Red	40982	1118229
TUBES/STOPS		
Fixed Tube - 1-1/8" x 24'	4001686	1701428
Fixed Tube - 1-1/8" x 20'	4001684	1700049
Fixed Tube - 1-1/8" x 16'	4001685	1700051
Fixed Tube - 1-1/8" x 8'	4003243	1706156
Stainless Fixed Tube - 1" x 24'	4001686	1704399
Stainless Fixed Tube - 1" x 20'	4001684	1704500
Stainless Fixed Tube - 1" x 16'	4001685	1704499
Plastic End Plug	4001687	1700523
Plastic End Plug	50555	1700523
Plastic Washer - Black		1118037
Self-Drilling Screw - 1/4" x 3/4"		1700398
Blind Rivet - 3/16" x 3/8"	60793	1704337
TARP STOP ASSEMBLIES		
Easy-Off Aluminum (Cast) Tarp Stop w/Mounting Hardware	50563	1124780
Easy-Off Aluminum (Cast) Tarp Stop w/Mounting Hardware	60566	1124780
Easy-Off Aluminum (Cast) 6" Offset Tarp Stop w/Hardware	50579	1124783
Powder-Coated EOF (Cast) Tarp Stop w/Mtg Hdw	50572	1124781
Powder-Coated EOF (Cast) 6" Offset Tarp Stop w/Mtg Hdw		1124784
Easy-Off Aluminum (Cast)/Stainless Body w/Mtg Hdw		1124816
Powder-Coated Easy-Off (Cast)/Stainless Body w/Mtg Hdw		1124782
Clevis Pin - 5/16" x 2-7/8"	10892	1703604
Clevis Pin - 5/16" x 2-7/8"	90241	1703604
Easy-Off Tarp Stop Body	60471	1100833
Powder-Coated Easy-Off Tarp Stop Body	30544	1118268
Stainless Easy-Off Tarp Stop Body	70282	1116975
Bowtie Cotter Pin - 1-3/8"	60036	1704380
Bowtie Cotter Pin - 1-3/8"	90248	1704380
Easy-Off Aluminum Tarp Stop Upright	60670	1705775
Easy-Off Aluminum Tarp Stop Upright	60444	1705775
Powder-Coated EOF Alum Tarp Stop Upright	70332	1124770
Powder-Coated Easy Off Aluminum (Cast) Tarp Stop Upright w/Set Screw		1130806
Easy-Off Aluminum 6" Offset Tarp Stop Upright	60677	1705454
Powder-Coated EOF Aluminum 6" Offset Tarp Stop Upright	40916	1124772
Tarp Stop Bracket	70975	1100814

