



INDEX - 4

SHUR-CO® DISTRIBUTION CENTERS 2

SHUR-MATIC® FOR AG APPLICATIONS..... 3

TARPS 4

OPTIONS AND UPGRADES 5-6

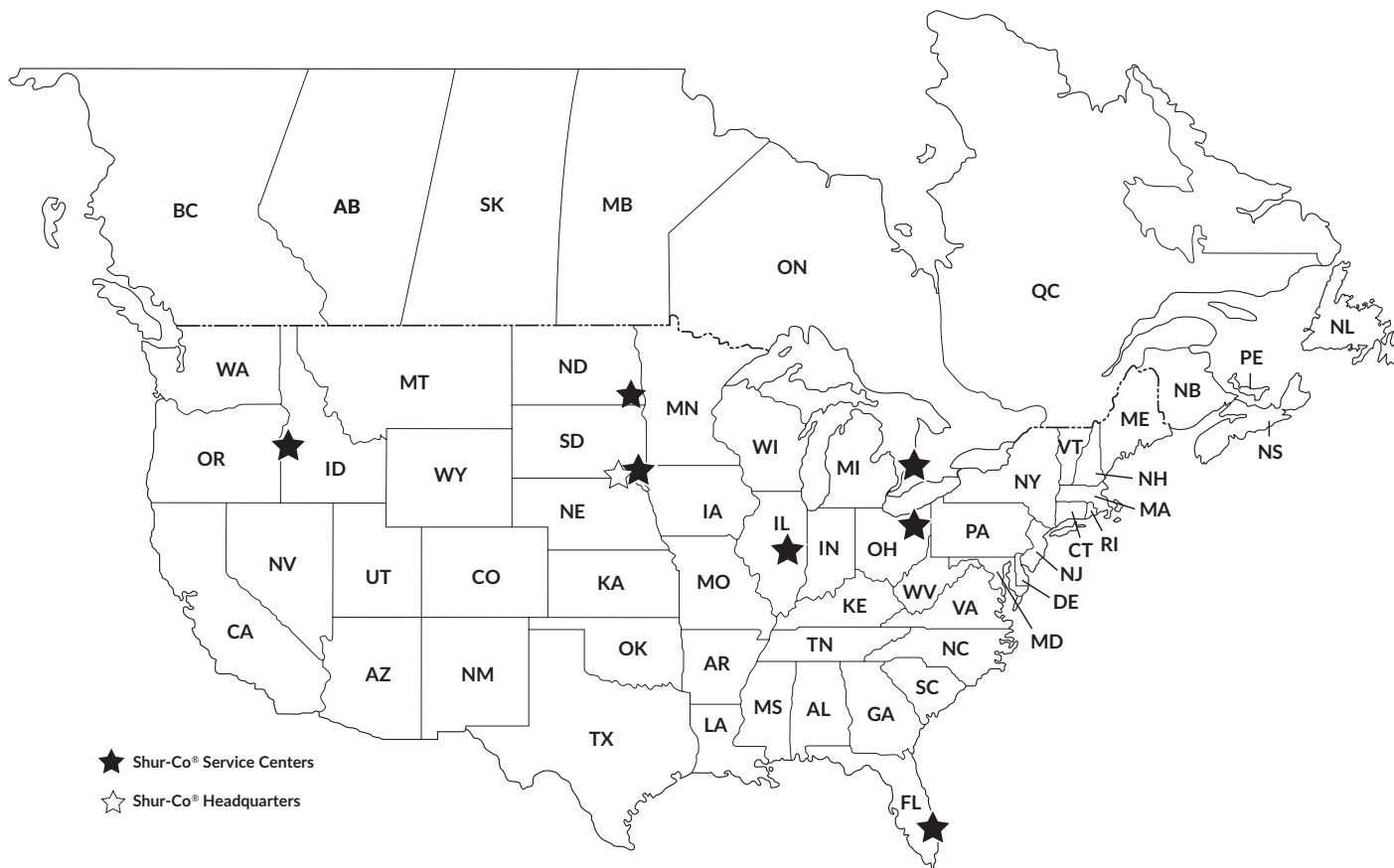
GENUINE REPLACEMENT PARTS 7-15

Volume 44 Introduction of the ShurLink™ Wireless System.

ShurLink EZR™ | ShurLink PRO™



SHUR-CO® SALES AND DISTRIBUTION CENTERS



★ Shur-Co® Service Centers
 ☆ Shur-Co® Headquarters

World Headquarters
SHUR-CO® CORPORATE HQ
 2309 Shur-Lok St., Yankton
800.474.8756
 FAX: 605.665.0501

Donovan® Brand Headquarters
SHUR-CO® of FLORIDA
 3353 SE Gran Park Way, Stuart
800.327.8287
 FAX: 772.287.0431

SHUR-CO® of CANADA
 490 Egin St., Unit #2
 Brantford, Ontario N3S 7P8
800.265.0823
 FAX: 519.715.3997

SHUR-CO® of IDAHO
 921 Garber St., Caldwell
208.455.1046
 FAX: 208.459.1190

SHUR-CO® of OHIO
 4676 Lynn Rd., Rootstown
866.356.0242
 FAX: 330.297.5599

SHUR-CO® of SOUTH DAKOTA
 1212 N. Norbeck St., Vermillion
605.658.1020
 FAX: 605.658.1022

SHUR-CO® of ILLINOIS
 3993 E. Mueller Ave., Decatur
866.356.0246
 FAX: 217.877.8270

SHUR-CO® of NORTH DAKOTA
 1746 4th Ave. NW, West Fargo
877.868.4488
 FAX: 701.277.1283

SHUR-CO® UK Limited
 Rochester Airport Est., Unit 41
 Laker Rd.
 Rochester, Kent ME1 3QX
 +44 (0) 1795.473499

STANDARD v. OPTIONS

Each Shur-Co® tarp system comes with standard features. These are bulleted (●) and noted as **Standard** in bold type under STANDARD FEATURES AND OPTIONS, like the Tarp Spool with Side Plates and Windshield at right. Any change from these standard features affects the cost of your system. This is noted as an “add,” “deduct” or no charge “N/C.” For example, if you switch to the 98” Tarp Spool with Aluminum Tarp Housing, you would add to your total cost.

Additional wire will be needed on boxes that dump. Add the recommended length shown in the last column of the charts below to the standard 40’ wire length. You’ll find the price for that additional wire under the ELECTRICS section below right. Add that to the hardware price for your total. And remember, tarps are NOT included (see pg. 4.)

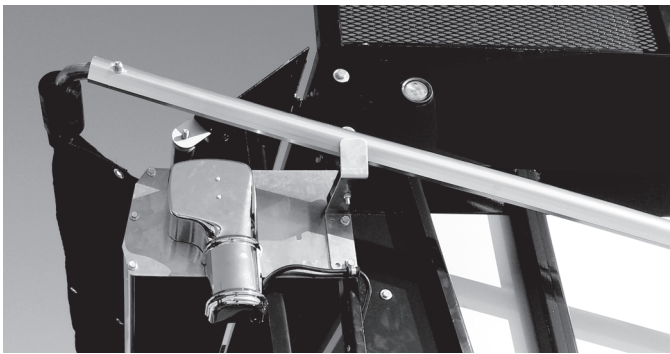
STANDARD FEATURES AND OPTIONS

TARP SPOOLS	
● Tarp Spool w/Side Plates/Windshield	Standard
Tarp Spool w/Aluminum Tarp Housing - 98"	Add
Tarp Spool w/Aluminum Tarp Housing - 104"	Add
Tarp Spool Braces for Housing	Add

If you have questions on options and upgrades, there is a complete list of photos and descriptions (see pgs. 5-6).

NOTE: All prices in this catalog are subject to change without notice. All components other than standard may require a non-refundable \$100 special processing fee. Call for details.

SHUR-MATIC® FOR AG APPLICATIONS



Tarp roller mounts to drop-down gate. System features a side-mounted motor. If silage box has fold-down front gate, housing can be mounted below it, allowing the gate to swing down (see at left). If 30° bend arms are desired, swap them out at N/C.

STANDARD FEATURES AND OPTIONS

TARP SPOOLS	
● Tarp Spool w/Side Plates/Windshield	Standard
Tarp Spool w/Aluminum Tarp Housing - 98"	Add
Tarp Spool w/Aluminum Tarp Housing - 104"	Add
Tarp Spool Braces for Housing	Add
SPRING ASSEMBLY	
● Drop Plate Kit - Underbody Torsion Only	Standard
TARP TUBES	
● Galvanized Steel Crossover Bar (2 Pc.)	Standard
RETURN ARMS	
● Straight Aluminum Pivot Arms	Standard
30° Bend Aluminum Pivot Arms	
HOLD-DOWNS	
Arm Hold-Down Straps	Add
Arm-Lok™ - For Trucks	Add
Arm-Lok™ - For Trailers	Add
Tarp Roller Guide Kit - Any Length - Up to 102" Wide	Add
ELECTRICS	
● Direct-Drive Motor w/Rocker Switch - Wire*	Standard
Upgrade to ShurLink EZR™	Add
Upgrade to ShurLink PRO™	Add
Additional Wire to Total 75' - For Boxes That Dump	Add
Additional Wire to Total 100' - For Boxes That Dump	Add
Additional Wire to Total 125' - For Boxes That Dump	Add
MANUAL OPTIONS	
Chain Drive Crank w/Standard Chain Guard	Deduct
Chain Drive Crank w/Full-Length Chain Guard	Deduct

HARDWARE ONLY For Truck Bodies | Tarp NOT Included

LENGTH	ARM	SPRING	WIRE	ADDT'L
Up to 18'	Straight 16'	4-Spring Ext.	40'	35' Wire
19' to 24'	Straight 16'	5-Spring Ext.	40'	60' Wire
Up to 18' Hex Shaft	Straight 16'	UB Torsion	40'	35' Wire
19' to 24' Hex Shaft	Straight 16'	UB Torsion	40'	60' Wire
25' to 28' Hex Shaft	Straight 16'	UB Torsion	40'	60' Wire

*Truck bodies using wireless remote will receive SMARTwire™ wiring.

HARDWARE ONLY For Trailers Pulled by Semi | Comes w/ SMARTwire™ | Tarp NOT Included

LENGTH	ARM	SPRING	WIRE	ADDT'L
Up to 18'	Straight 16'	4-Spring Ext.	40'	35' Wire
19' to 24'	Straight 16'	5-Spring Ext.	40'	60' Wire
Up to 18' Hex Shaft	Straight 16'	UB Torsion	40'	35' Wire
19' to 24' Hex Shaft	Straight 16'	UB Torsion	40'	60' Wire
25' to 28' Hex Shaft	Straight 16'	UB Torsion	40'	60' Wire
29' to 34' Ext. Shaft*	Straight 18'	UB Torsion	40'	85' Wire
35' to 37' Ext. Shaft*	Straight 20'	UB Torsion	40'	85' Wire
38' to 41' Ext. Shaft	Straight 21'	UB Torsion	40'	85' Wire

*Equipped with 19" shaft.

NOTE: Extended length 38' to 41' INCLUDES arm hold-down straps. Also, for this size, Arm-Lok™ kit MUST be special quoted.

HARDWARE ONLY For Trailers Pulled by Tractor | Comes w/ SMARTwire™ | Tarp NOT Included

LENGTH	ARM	SPRING	WIRE	ADDT'L
Up to 18'	Straight 16'	4-Spring Ext.	40'	35' Wire
19' to 24'	Straight 16'	5-Spring Ext.	40'	60' Wire
Up to 18' Hex Shaft	Straight 16'	UB Torsion	40'	35' Wire
19' to 24' Hex Shaft	Straight 16'	UB Torsion	40'	60' Wire
25' to 28' Hex Shaft	Straight 16'	UB Torsion	40'	60' Wire

*Length of wire as noted in hardware kits at left.

NOTE: Extendable pivot arms available upon request.

NOTE: If front of box has front fold-down gate, CALL for pricing.

HEAVY-DUTY MESH Add to Kit Price*

SIZE	PART #
84" x 10'	1902210
84" x 12'	1902211
84" x 14'	1902212
84" x 16'	1902213
84" x 18'	1902214
84" x 20'	1902215
84" x 22'	1901625
84" x 24'	1902216
84" x 26'	1902217
84" x 28'	1902218
84" x 30'	1902219
84" x 32'	1902220
84" x 34'	1902221
84" x 36'	1902222
84" x 38'	1902223
84" x 40'	1902224
84" x 42'	1902225
84" x 44'	1902226
90" x 10'	1902227
90" x 12'	1902228
90" x 14'	1902229
90" x 16'	1902230
90" x 18'	1902231
90" x 20'	1902232
90" x 22'	1902233
90" x 24'	1902234
90" x 26'	1902235
90" x 28'	1902236
90" x 30'	1902237
90" x 32'	1902238
90" x 34'	1902239
90" x 36'	1902240
90" x 38'	1902241
90" x 40'	1902242
90" x 42'	1902243
90" x 44'	1902244

18-OZ. VINYL Add to Kit Price* (Black ONLY at These Prices)

SIZE	PART #
84" x 10'	1902245
84" x 12'	1902246
84" x 14'	1902247
84" x 16'	1902248
84" x 18'	1902249
84" x 20'	1902250
84" x 22'	1902251
84" x 24'	1902252
84" x 26'	1902253
90" x 10'	1902254
90" x 12'	1902255
90" x 14'	1902256
90" x 16'	1902257
90" x 18'	1902258
90" x 20'	1902259
90" x 22'	1902260
90" x 24'	1902261
90" x 26'	1902262

STANDARD TARP FEATURES

- ◆ **Folded Hem**
- ◆ **6" Pocket**
- ◆ **Spline and Grommets Sewn in Front Hem**
- ◆ **2" Webbing Sewn over Side Hems** – Standard on Mesh Tarps Only

ESTIMATED TARP LENGTH

Inside Box Length _____

+ Rise of Cab Shield _____

+ Length of Cab Shield _____

+ 2' of Tarp Length _____

= **Estimated Tarp Length** _____

PRICING DIRECTIONS: Add 15% to above prices for all colors other than black. For tarps wider and/or longer than those listed above, price **MUST** be quoted.

*Arm kits contain hardware **ONLY**. Appropriate tarp price **MUST** be added to hardware kit price. Choose tarp material and size, then add that price to kit price for final total.

ARMS



Bent Arms

Sturdy milled finish, designed with a 30° offset bend to safely clear obstacles.

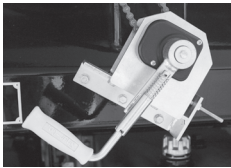
Straight Arms

Sturdy milled finish in cut-to-fit design. Won't scratch or fade like polished aluminum.

Arm-Lok™ Tarp Roller Guide

Arm-Lok™ is a pneumatic system powered by the truck's air supply that locks the Arm in place to prevent lifting and wear.

CRANK HARDWARE



Manual Crank Relocator

Safe ground operation. Built-in friction plates keep crank from spinning out of control.

ELECTRIC ACCESSORIES



Rocker Switch

Allows control of tarp using a switch conveniently located inside the cab.



ShurLink PRO™ Remote

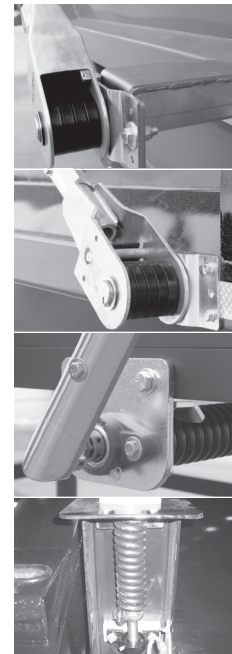
Two-way communication in an easy-read digital display. Lets you specify exact positioning of tarps and traps.



ShurLink EZR™ Remote

Popular modular 5-channel remote operates electric tarp, plus 4 additional 12V options.

SPRING ASSEMBLIES



4 Spring

Lets spring-loaded flip arms lift tarp over loads on systems covering up to 17'.

5 Spring

Works like 4 spring, but flip arms lift tarp over loads on systems covering 16' to 22'.

Underbody Torsion - 15' to 29' with Drop Plate

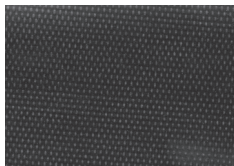
Spiral torsion spring has 7/8" hex shaft. Mounts through or underneath bottom rail.

Underbody Torsion - 29' to 37'

Round 1" shaft supported by 2 bearings. Mounts through or underneath bottom rail.

OPTIONS AND UPGRADES

TARP OPTIONS



18-Ounce Vinyl

Lighterweight waterproof fabric available in 7 different color choices.



Heavy-Duty Black Mesh

Heavy-duty mesh is designed especially for dump truck and trailer applications.

TARP REPAIR



Professional Kit

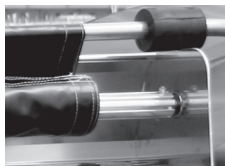
Includes a Wagner heat gun, scissors, roller, 10 square feet of fabric and instructions.



Standard Kit

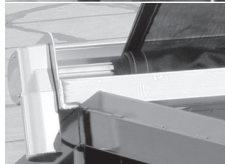
One pint of cleaner, 1 quart of vinyl cement and 10 square feet of vinyl-coated fabric.

TARP SPOOL ASSEMBLIES



With Side Plates/Windshield

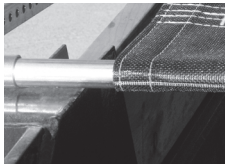
Adds an extruded aluminum windshield that blocks wind from getting underneath tarp.



With Assembled Housing

Fully preassembled housing with front and bottom windshields. Saves on install time.

TARP TUBES



Standard Tube

Threaded through pocket of tarp and is connected to return arm. Pulls tarp open/closed.



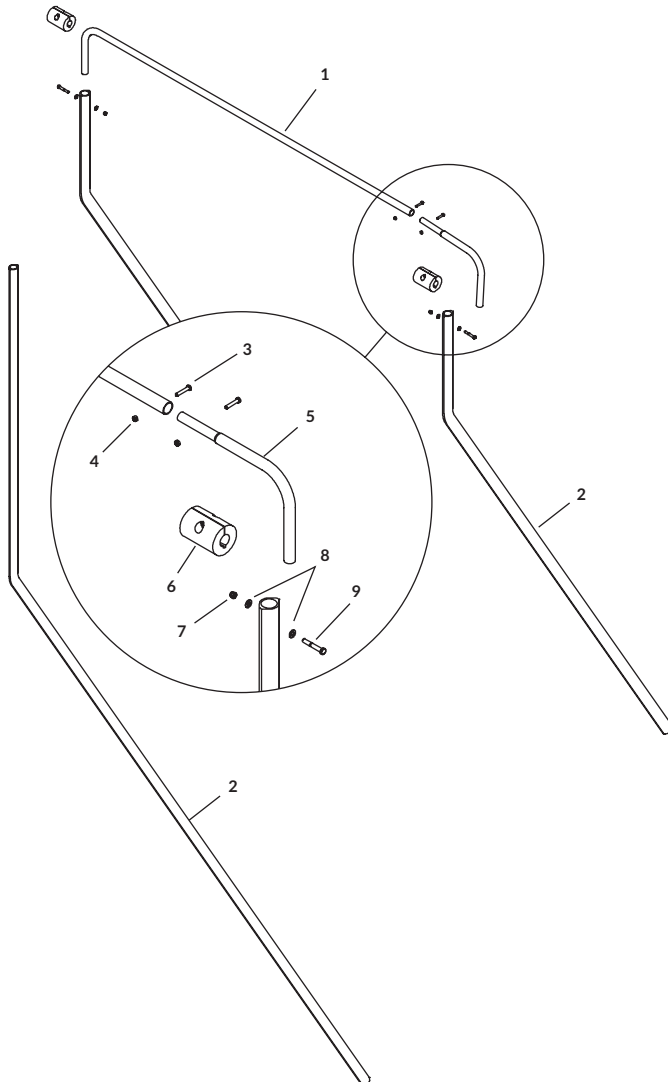
Genuine Shur-Co® replacement parts are proven to fit and function better. For quality performance, go with the name you can trust. Remember that utilizing non-Genuine parts voids your warranty. For convenience, we also have a comprehensive numerical listing of Shur-Co® parts and prices in Section 8.

TARP REPAIR SUPPLIES(see Section 1 - Shur-Lok®/PBR, p. 41)

SHUR-MATIC® SYSTEM

- Arm Assemblies.....7-8
- Arm-Lok™8
- Crank Relocators.....9
- Electrics.....9
- Front Drives10-11
- Mounting Strips..... 11
- Return Arm Hold-Downs 12
- Spring Assemblies.....12-15

NOTE: All prices in this catalog are subject to change without notice. All components other than standard may require a non-refundable \$100 special processing fee. Call for details.



ARM ASSEMBLIES – ALUMINUM

PRICE	ITEM	PART #	DESCRIPTION
		1120258	Aluminum Return Arm Kit - 10' w/2' Bend [Includes 1; 5; 2 of 2, 3, 4, 6, 7 & 9; 4 of 8]
		1120259	Aluminum Return Arm Kit - 12' w/2' Bend [Includes 1; 5; 2 of 2, 3, 4, 6, 7 & 9; 4 of 8]
		1120260	Aluminum Return Arm Kit - 14' w/2' Bend [Includes 1; 5; 2 of 2, 3, 4, 6, 7 & 9; 4 of 8]
		1123007	Aluminum Return Arm Kit - 20' w/7' Bend [Includes 1; 5; 2 of 2, 3, 4, 6, 7 & 9; 4 of 8]
		1120261	Aluminum Return Arm Kit - 16' [Includes 1; 5; 2 of 2, 3, 4, 6, 7 & 9; 4 of 8]
		1120262	Aluminum Return Arm Kit - 18' [Includes 1; 5; 2 of 2, 3, 4, 6, 7 & 9; 4 of 8]
		1120263	Aluminum Return Arm Kit - 20' [Includes 1; 5; 2 of 2, 3, 4, 6, 7 & 9; 4 of 8]
		1125316	Arm/Spring Kit* - 4 Spring - 10' Arms w/2' Bend [Includes 1; 5; 2 of 2, 3, 4 & 6; 4 of 7 & 9; 8 of 8]
		1125317	Arm/Spring Kit* - 4 Spring - 12' Arms w/2' Bend [Includes 1; 5; 2 of 2, 3, 4 & 6; 4 of 7 & 9; 8 of 8]
		1125318	Arm/Spring Kit** - Underrail - 12' Arms w/2' Bend [Includes 1; 5; 2 of 2, 3, 4 & 6; 4 of 7 & 9; 8 of 8]
		1125416	Tarp Tube Crossover Kit [Includes 1; 5; 2 of 3 & 4]
	1	1118951	Tarp Tube Crossover
	2	1704465	Aluminum Return Arm - 10' w/2' Bend
		1704466	Aluminum Return Arm - 12' w/2' Bend
		1704467	Aluminum Return Arm - 14' w/2' Bend
		1808550	Aluminum Return Arm - 20' w/7' Bend
		1121531	Aluminum Return Arm - 10'
		1704486	Aluminum Return Arm - 16'
		1704487	Aluminum Return Arm - 18'
		1704488	Aluminum Return Arm - 20'
	3	1704451	Hex Head Cap Screw - 5/16" x 1-5/8"
	4	1704454	Nylon Lock Nut - 5/16"
	5	1118952	Tarp Tube Elbow
	6	1704458	Rubber Bumper - 3-1/4" x 4-1/2"
	7	1701580	Nylon Lock Nut - 3/8"
	8	1701176	Flat Washer - 3/8"
	9	1702573	Hex Head Cap Screw - 3/8" x 2-1/2"

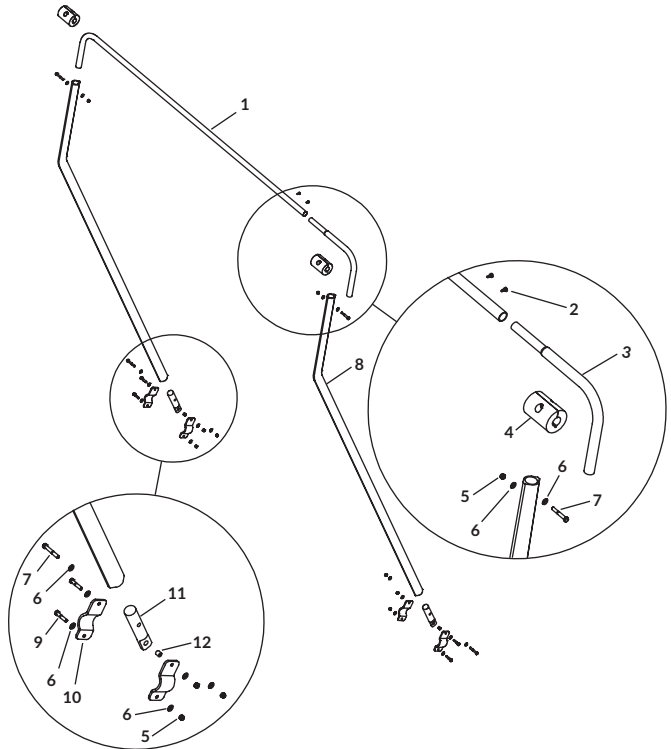
*Includes 4-spring pivot kit (P/N 1119441); see list of what this includes on pg. 12.

**Includes underbody spring kit (P/N 1118956); see list of what this includes on pg. 13.

GENUINE SHUR-MATIC® REPLACEMENT PARTS

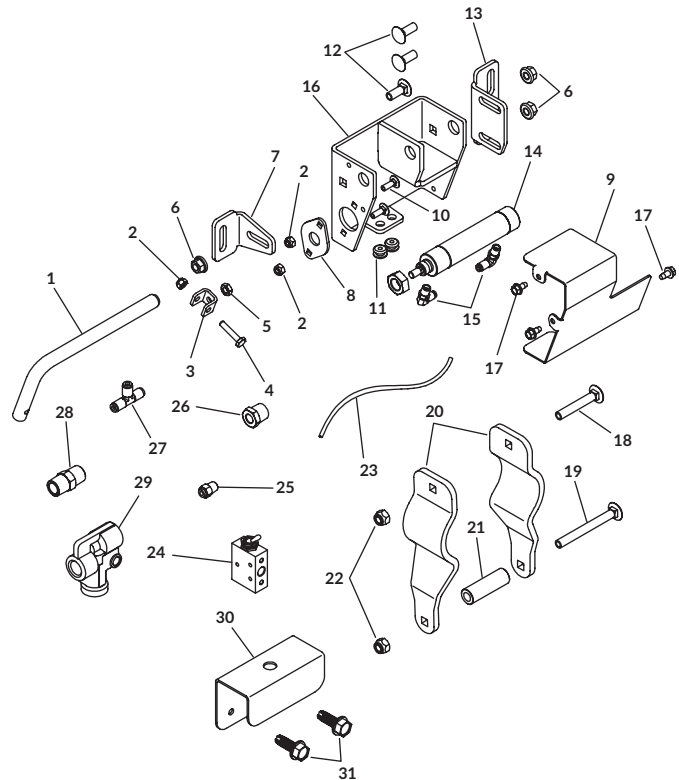
ARM ASSEMBLIES - TENSION

PRICE	ITEM	PART #	DESCRIPTION
		1120129	Tension Arm Kit - 10' Arm [Includes 1; 3; 2 of 2, 4, 8, 11 & 12; 4 of 7, 9 & 10; 8 of 5; 16 of 6]
		1120130	Tension Arm Kit - 12' Arm [Includes 1; 3; 2 of 2, 4, 8, 11 & 12; 4 of 7, 9 & 10; 8 of 5; 16 of 6]
		1120131	Tension Arm Kit - 14' Arm [Includes 1; 3; 2 of 2, 4, 8, 11 & 12; 4 of 7, 9 & 10; 8 of 5; 16 of 6]
	1	1118951	Tarp Tube Crossover
	2	1700398	Self-Drilling Screw - 1/4" x 3/4"
	3	1118952	Tarp Tube Elbow
	4	1704458	Rubber Bumper - 3-1/4" x 4-1/2"
	5	1701580	Nylon Lock Nut - 3/8"
	6	1701176	Flat Washer - 3/8" - SAE
	7	1702573	Hex Head Cap Screw - 3/8" x 2-1/2"
	8	1704465	Aluminum Return Arm - 10' w/2' Bend
		1704466	Aluminum Return Arm - 12' w/2' Bend
		1704467	Aluminum Return Arm - 14' w/2' Bend
	9	1700369	Hex Head Cap Screw - 3/8" x 1-3/4"
	10	1120104	Arm Pivot Clamp Bracket
	11	1704642	Arm Pivot Connector
	12	1704643	Bushing - 9/16" x 9/16"



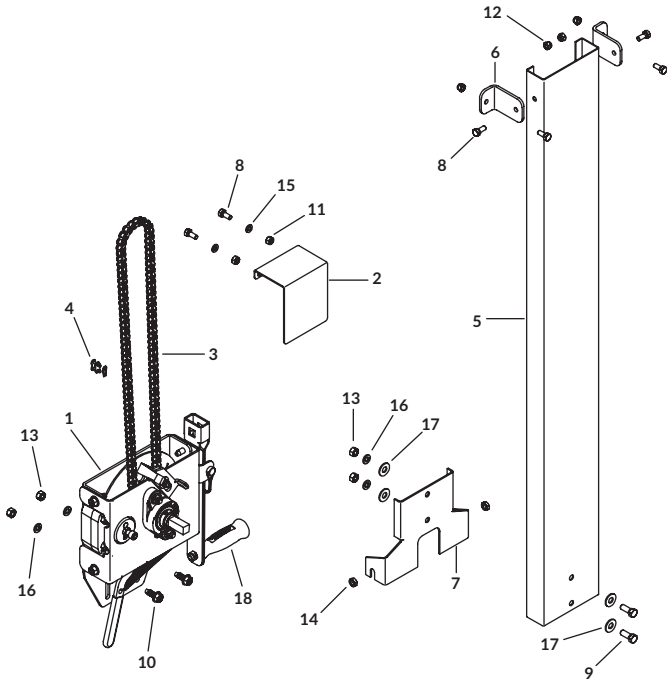
ARM-LOK™

PRICE	ITEM	PART #	DESCRIPTION
		1125250	Arm-Lok™ Kit - For Trucks [Includes 24; 26; 28; 29; 30; 2 of 1, 3, 4, 6, 7, 8, 9, 13, 14, 16, 18, 19, 21 & 27; 4 of 10, 15, 20, 22 & 25; 6 of 2, 5, 12, 17 & 31; 8 of 11; 120' of 23]
		1125800	Arm-Lok™ Kit - For Trailers
		1125251	Arm-Lok™ Assembly - Driver Side [Includes 1; 3; 4; 6; 7; 8; 9; 13; 14; 16; 2 of 10, 11 & 15; 3 of 2, 5, 12 & 17]
		1125261	Arm-Lok™ Assembly - Passenger Side [Includes 1; 3; 4; 6; 7; 8; 9; 13; 14; 16; 2 of 10, 11 & 15; 3 of 2, 5, 12 & 17]
	1	1125256	Arm-Lok™ Pin
	2	1701543	Nylon Lock Hex Nut - 1/4"
	3	1125260	Cylinder Rod Clevis
	4	1705599	Hex Head Cap Screw - 1/4" - 1-1/4"
	5	1704945	Top Lock Flange Nut - 5/16"
	6	1705598	Hex Jam Nut - 5/16"
	7	1125259	Lock Housing Mounting Bracket
	8	1125257	Cylinder Mounting Plate
	9	1125255	Housing Cover - Driver Side
		1125265	Housing Cover - Passenger Side
	10	1705597	Carriage Bolt - 1/4" x 3/4" - GR5
	11	1705594	Rubber Grommet - 3/16" x 5/8"
	12	1705051	Carriage Bolt - 3/8" x 1" - GR5
	13	1125258	Housing Mounting Bracket - Driver Side
		1125266	Housing Mounting Bracket - Passenger Side
	14	1705600	Air Cylinder
	15	1705590	Air Fitting - 90° Swivel - 5/32" x 1/8"
	16	1125252	Housing - Driver Side
		1125262	Housing - Passenger Side
	17	1700402	Self-Tapping Screw - 1/4" x 1/2"
	18	1705595	Carriage Bolt - 5/16" x 2" - GR5
	19	1705596	Carriage Bolt - 5/16" x 3" - GR5
	20	1125270	Anchor Bracket
	21	1125274	Anchor Catch Sleeve - 2"
	22	1700419	Nylon Lock Hex Nut - 5/16"
	23	1705585	Air Brake Tube - 5/32" (purchase length by foot)
	24	1705586	Toggle Valve - 2 Position - 4 Way
	25	1705589	Air Fitting - 5/32" x 1/8"
	26	1705591	Hex Bushing Adapter - 3/8" x 1/8"
	27	1705588	Air Fitting - Union Tee - 5/32"
	28	1705593	Hex Nipple Adapter - 3/8" x 3/8"
	29	1705587	Pressure Protection Valve - 70 PSI
	30	1125267	Valve Mounting Bracket
	31	1700400	Self-Tapping Screw - Non Corrosive Coating - 3/8" x 1"



NOTE: For Arm-Lok™ trailer version (P/N 1125800) replacement parts, CALL for pricing.

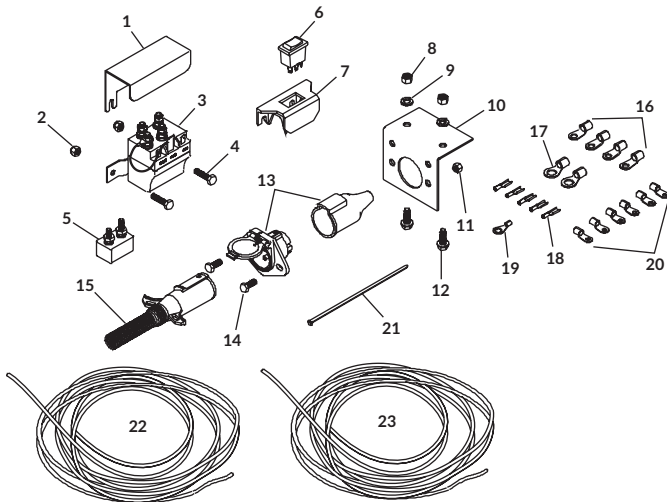
CRANK RELOCATORS



PRICE	ITEM	PART #	DESCRIPTION
		1120350	Manual Crank Relocator Kit* [Includes 1; 2; 3; 4; 2 of 8, 11 & 15; 3 of 10, 13 & 16]
		1120465	Full Length Chain Guard Kit [Includes 5; 7; 2 of 6 (short), 9, 13, 14 & 16; 4 of 8, 12 & 17]
	1	1120349	Chain Drive Crank Assembly
	2	1120378	Chain Guard
	3	1109179	Roller Chain/Link - 14'
	4	1701057	Chain Connector Link
	5	1120399	Chain Guard - Full Length
	6	1120380	Chain Guard Bracket
		1120397	Chain Guard Bracket - Short
	7	1120379	Chain Guard Base Bracket
	8	1701045	Hex Head Cap Screw - 5/16" x 3/4"
	9	1701061	Cap Screw - 3/8" x 1"
	10	1700400	Self-Tapping Screw - Non Corrosive Coating - 3/8" x 1"
	11	1700411	Nut - 5/16"
	12	1700419	Nylon Lock Nut - 5/16"
	13	1700407	Nut - 3/8"
	14	1701062	Hex Nut - 3/8"
	15	1700433	Lock Washer - 5/16"
	16	1700434	Lock Washer - 3/8"
	17	1700429	Flat Washer - 3/8"
	18	1120348	Crank Handle Assembly

*Does NOT include upper bearing or sprocket.

ELECTRICS - ROCKER SWITCH WIRING

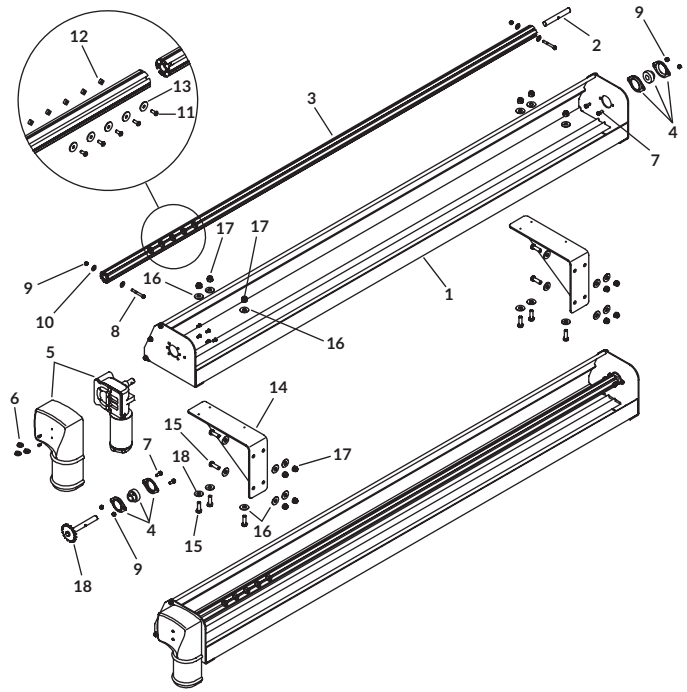


PRICE	ITEM	PART #	DESCRIPTION
		1121526	Cab Wiring Kit - 50-Amp - Rocker - 20' [Includes 1; 3; 5; 6; 7; 15; 19; 22; 23; 2 of 2, 4 & 17; 4 of 16; 5 of 18; 6 of 20; 16 of 21]
		1122940	Cab Wiring Kit - 50-Amp - Rocker - 30' [Includes 1; 3; 5; 6; 7; 15; 19; 22; 23; 2 of 2, 4 & 17; 4 of 16; 5 of 18; 6 of 20; 16 of 21]
		1116271	Electric Parts Kit - Rocker Switch - 50 Amp Mod. [Includes 1; 3; 5; 6; 7; 19; 2 of 2, 4 & 17; 4 of 16; 5 of 18; 6 of 20]
		1109016	Two-Pole Connector w/Hardware [Includes 10; 13; 15; 21; 2 of 8, 9, 11, 12 & 14]
	1	1703896	Solenoid Cover
	2	1701543	Nylon Lock Hex Nut - 1/4"
	3	1703845	Motor-Reversing Solenoid
	4	1700381	Hex Head Cap Screw - 1/4" x 1"
	5	1703480	50-Amp Auto-Reset Circuit Breaker
	6	1116020	Rocker Switch
	7	1703661	Rocker Switch Mounting Bracket
	8	1700407	Nut - 3/8"
	9	1700434	Lock Washer - 3/8"
	10	1109015	Mounting Bracket - Conductor Plug
	11	1700411	Nut - 5/16"
	12	1700400	Self-Tapping Screw - Non Corrosive Coating - 3/8" x 1"
	13	1119557	Heavy-Duty Dual-Conductor Metal Socket w/Boot
	14	1701045	Hex Head Cap Screw - 5/16" x 3/4"
	15	1115385	Heavy-Duty Dual-Conductor Plug
	16	1703245	Ring Terminal - 6 Ga. x #10 Stud - Motor/Breaker
	17	1703244	Ring Terminal - 6 Ga. x 3/8" Stud - Battery
	18	1703659	Push-On Terminal - 14 Ga. x 1/4" - Switch/Solenoid
	19	1704153	Ring Terminal - 14 Ga. x 1/4" Stud - Solenoid
	20	1702707	Ring Terminal - 6 Ga. x 1/4" Stud - Motor/Solenoid
	21	1703231	Cable Tie - 8"
	22	1119078	Dual-Conductor Wire - 6 Ga. - 20'
		1118495	Dual-Conductor Wire - 6 Ga. - 30'
	23	1116482	Electrical Wire - 14 Ga. Lead - 15'

GENUINE SHUR-MATIC® REPLACEMENT PARTS

FRONT DRIVES - ALUMINUM HOUSING/SUPPORT BRACKETS

PRICE	ITEM	PART #	DESCRIPTION
		1127397	Aluminum Electric Tarp Housing - 98" [Includes 1; 2; 3; 4; 5; 2 of 7 & 8; 3 of 6, 4 of 9 & 10; 5 of 11, 12 & 13]
		1127398	Aluminum Electric Tarp Housing - 104" [Includes 1; 2; 3; 4; 5; 2 of 7 & 8; 3 of 6, 4 of 9 & 10; 5 of 11, 12 & 13]
		1127399	Aluminum Manual Tarp Housing - 98" [Includes 1; 2; 3; 18; 2 of 4 & 8; 4 of 7 & 10; 5 of 11, 12 & 13; 6 of 9]
		1127400	Aluminum Manual Tarp Housing - 104" [Includes 1; 2; 3; 18; 2 of 4 & 8; 4 of 7 & 10; 5 of 11, 12 & 13; 6 of 9]
	1	1119083	Aluminum Tarp Housing - 98"
		1119089	Aluminum Tarp Housing - 104"
	2	1114940	Tarp Axle Stub Shaft
	3	1115614	Threaded Tarp Axle - 97"
		1119086	Threaded Tarp Axle - 103"
	4	1703374	Radial Ball Bearing w/Flanges - 3/4" ID
	5	1704878	Durabuilt™ Motor w/Cover - 3-1/8" Shaft
	6	1700433	Lock Washer - 5/16"
	7	1701045	Hex Head Cap Screw - 5/16" x 3/4"
	8	1703237	Hex Head Cap Screw - 5/16" x 2-1/2"
	9	1700419	Nylon Lock Hex Nut - 5/16"
	10	1700428	Flat Washer - 5/16"
	11	1703327	Button Head Cap Screw - 1/4" x 5/8"
	12	1703290	Square Nut - 1/4"
	13	1703218	Fender Washer - 1/4" ID x 1" OD
	14	1119092	Tarp Housing Support Bracket*
	15	1702075	Hex Head Cap Screw - 1/2" x 1-1/2"
	16	1702114	Flat Washer - 1/2"
	17	1702115	Nylon Lock Nut - 1/2"
	18	1117093	Sprocket** - Driver Side (for manual systems)

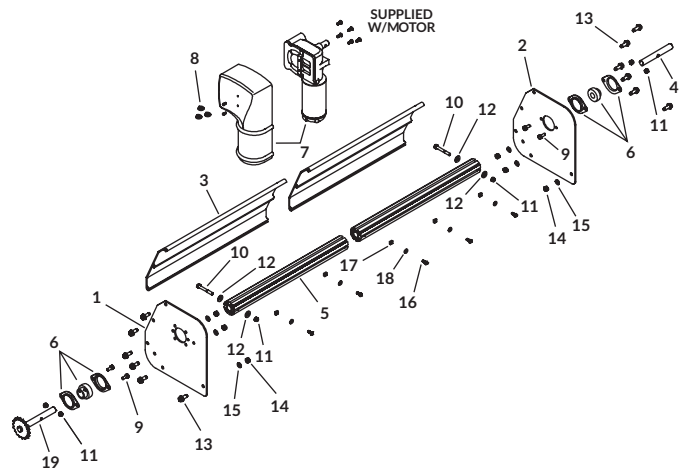


*Tarp housing support bracket is optional; must be ordered as add-on to kits.

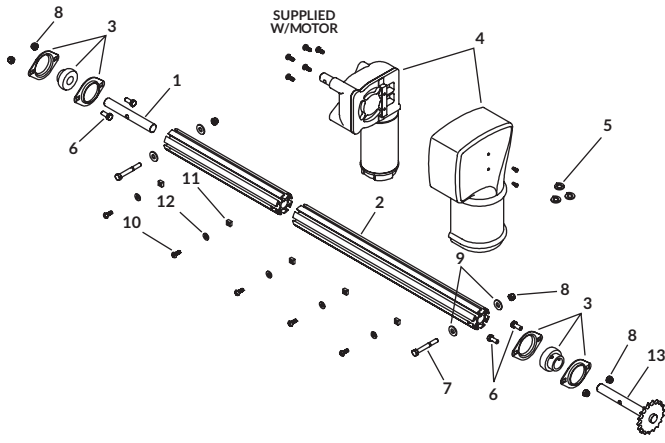
**Sprocket is used with housing/support brackets option only.

FRONT DRIVES - SIDE PLATES/WINDSHIELD

PRICE	ITEM	PART #	DESCRIPTION
		1120265	Front Drive w/Side Plates/Windshield Kit - 98" [Includes 1; 2; 3; 4; 5; 6; 7; 2 of 9 & 10; 3 of 8; 4 of 11 & 12; 5 of 16, 17 & 18; 6 of 14 & 15; 12 of 13]
		1120266	Front Drive w/Side Plates/Windshield Kit - 104" [Includes 1; 2; 3; 4; 5; 6; 7; 2 of 9 & 10; 3 of 8; 4 of 11 & 12; 5 of 16, 17 & 18; 6 of 14 & 15; 12 of 13]
		1120267	Windshield - 98" w/Side Plates Kit [Includes 1; 2; 3; 6 of 14 & 15; 12 of 13]
		1120268	Windshield - 104" w/Side Plates Kit [Includes 1; 2; 3; 6 of 14 & 15; 12 of 13]
	1	1119080	Tarp Axle Side Plate - Driver Side
	2	1119081	Tarp Axle Side Plate - Passenger Side
	3	1704484	Aluminum Windshield - 98"
		1704485	Aluminum Windshield - 104"
	4	1114940	Tarp Axle Stub Shaft
	5	1114961	Threaded Tarp Axle
	6	1703374	Radial Ball Bearing w/Flanges - 3/4" ID
	7	1704878	Durabuilt™ Motor w/Cover - 3-1/8" Shaft
	8	1700433	Lock Washer - 5/16"
	9	1701045	Cap Screw - 5/16" x 3/4"
	10	1703237	Cap Screw - 5/16" x 2-1/2"
	11	1700419	Nylon Lock Nut - 5/16"
	12	1700428	Flat Washer - 5/16"
	13	1700400	Self-Tapping Screw - Non Corrosive Coating - 3/8" x 1"
	14	1700407	Hex Nut - 3/8"
	15	1700434	Lock Washer - 3/8"
	16	1703327	Button Head Cap Screw - 1/4" x 5/8"
	17	1703290	Square Nut - 1/4"
	18	1703218	Fender Washer - 1/4" ID x 1" OD
	19	1120376	Sprocket* - Driver Side (for manual systems)



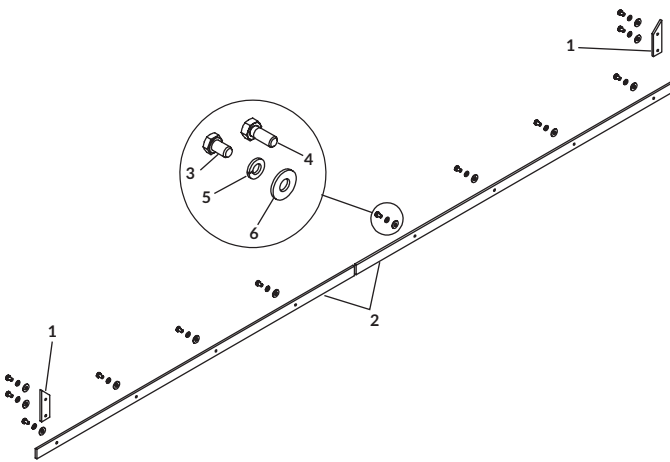
*Sprocket is used with side plates/windshield or thru-cab protector options.



FRONT DRIVES – THRU-CAB PROTECTOR

PRICE	ITEM	PART #	DESCRIPTION
			Front Drive-Thru Cab Protector Kit
		1120264	[Includes 1; 2; 3; 4; 2 of 6 & 7; 3 of 5; 4 of 8 & 9; 5 of 10, 11 & 12]
	1	1114940	Tarp Axle Stub Shaft
	2	1114961	Threaded Tarp Axle
	3	1703374	Radial Ball Bearing w/Flanges - 3/4" ID
	4	1704878	Durabuilt™ Motor w/Cover - 3-1/8" Shaft
	5	1700433	Lock Washer - 5/16"
	6	1701045	Hex Head Cap Screw - 5/16" x 3/4"
	7	1703237	Hex Head Cap Screw - 5/16" x 2-1/2"
	8	1700419	Nylon Lock Nut - 5/16"
	9	1700428	Flat Washer - 5/16"
	10	1703327	Button Head Cap Screw - 1/4" x 5/8"
	11	1703290	Square Nut - 1/4"
	12	1703218	Fender Washer - 1/4" ID x 1" OD
	13	1120376	Sprocket* - Driver Side (for manual systems)

*Sprocket is used with side plates/windshield or through-cab protector options.



MOUNTING STRIPS – STEEL HOUSING ONLY

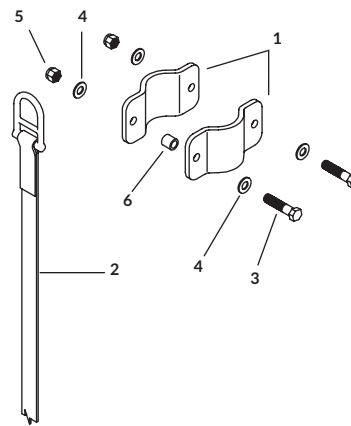
PRICE	ITEM	PART #	DESCRIPTION
	1	1121361	End Panel Mounting Strip - Steel
		1121364	End Panel Mounting Strip - Aluminum
	2	1121359	Shield Mounting Strip - Steel - 47-7/8"
		1121360	Shield Mounting Strip - Steel - 50-7/8"
		1121362	Shield Mounting Strip - Aluminum - 47-7/8"
		1121363	Shield Mounting Strip - Aluminum - 50-7/8"
	3	1701045	Hex Head Cap Screw* - 5/16" x 3/4"
	4	1703171	Hex Head Cap Screw** - 5/16" x 1/2"
	5	1700433	Nylon Lock Nut - 5/16"
	6	1700428	Flat Washer - 5/16"

*Used for steel strips.

**Used for aluminum strips.

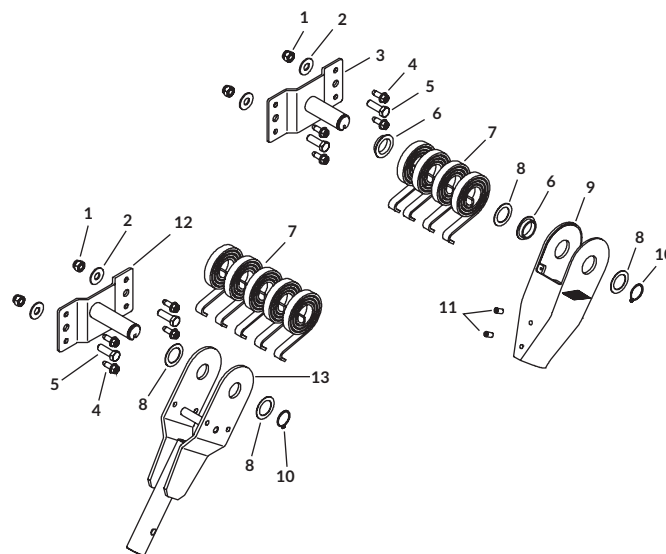
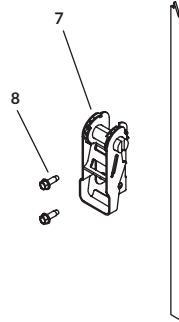
RETURN ARM HOLD-DOWNS

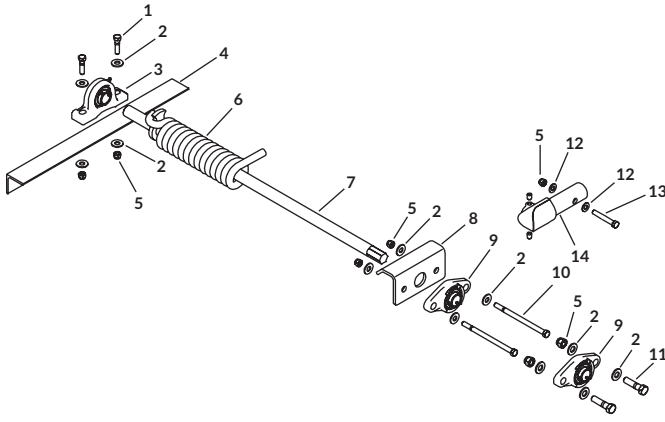
PRICE	ITEM	PART #	DESCRIPTION
		1120389	Arm Hold-Down Kit [Includes 2 of 2 & 6; 4 of 1, 3, 5 & 7; 8 of 4 & 8]
	1	1120388	Arm Anchor Clamp Bracket
	2	1120390	Hold-Down Strap Assembly
	3	1700369	Hex Head Cap Screw - 3/8" x 1-3/4"
	4	1701176	Flat Washer - 3/8"
	5	1701580	Nylon Lock Nut - 3/8"
	6	1704643	Bushing - 9/16" x 9/16"
	7	1700836	Ratchet Buckle - 1"
	8	1700403	Self-Tapping Screw - 1/4" x 3/4"



SPRING ASSEMBLIES - EXTERNAL PIVOT

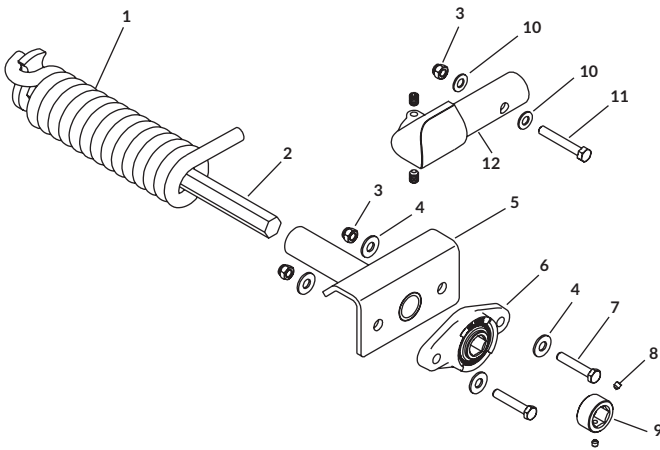
PRICE	ITEM	PART #	DESCRIPTION
		1119441	4-Spring Pivot Kit [Includes 2 of 3, 9 & 10; 4 of 1, 2, 5, 6, 8 & 11; 8 of 4 & 7]
		1119096	4-Spring Pivot Assembly - Driver Side [Includes 3; 9; 10; 2 of 6, 8 & 11; 4 of 7]
		1119097	4-Spring Pivot Assembly - Passenger Side [Includes 3; 9; 10; 2 of 6, 8 & 11; 4 of 7]
		1119442	5-Spring Pivot Kit [Includes 2 of 10, 12 & 13; 4 of 1, 2, 5, & 8; 8 of 4; 10 of 7]
		1119105	5-Spring Pivot Assembly - Driver Side [Includes 10; 12; 13; 2 of 8; 5 of 7]
		1119106	5-Spring Pivot Assembly - Passenger Side [Includes 10; 12; 13; 2 of 8; 5 of 7]
		1118948	Spring Pivot Hardware [Includes 2 of 1, 2 & 5; 4 of 4]
	1	1702115	Nylon Lock Hex Nut - 1/2"
	2	1702114	Flat Washer - 1/2"
	3	1119098	4-Spring Pivot Bracket
	4	1700400	Self-Tapping Screw - Non Corrosive Coating - 3/8" x 1"
	5	1702075	Hex Head Cap Screw - 1/2" x 1-1/2"
	6	1704468	Flange Bushing
	7	1111027	Spiral Torsion Spring - 1-1/4" Pins
	8	1702890	Flat Washer - 1-1/4"
	9	1704474	4-Spring Pivot Connector
	10	1702888	Retaining Ring - 1-1/4"
	11	1704450	Set Screw - 3/8" x 3/4"
	12	1116994	5-Spring Pivot Bracket
	13	1118950	5-Spring Pivot Connector





SPRING ASSEMBLIES – FRAMELESS

PRICE	ITEM	PART #	DESCRIPTION
			Underbody Hex-Round Shaft Spring Kit - Driver Side - 27" [Includes 3; 6; 7; 8; 2 of 1, 9, 10 & 11; 6 of 5; 12 of 2]
			Underbody Hex-Round Shaft Spring Kit - Passenger Side - 27" [Includes 3; 6; 7; 8; 2 of 1, 9, 10 & 11; 6 of 5; 12 of 2]
			Underbody Hex-Round Shaft Spring Kit - Driver Side - 24" [Includes 3; 6; 7; 8; 2 of 1, 9, 10 & 11; 6 of 5; 12 of 2]
			Underbody Hex-Round Shaft Spring Kit - Passenger Side - 24" [Includes 3; 6; 7; 8; 2 of 1, 9, 10 & 11; 6 of 5; 12 of 2]
			Underbody Hex-Round Shaft Spring Kit - Driver Side - 31" [Includes 3; 6; 7; 8; 2 of 1, 9, 10 & 11; 6 of 5; 12 of 2]
			Underbody Hex-Round Shaft Spring Kit - Passenger Side - 31" [Includes 3; 6; 7; 8; 2 of 1, 9, 10 & 11; 6 of 5; 12 of 2]
	1	1701434	Hex Head Cap Screw - 3/8" x 1-1/2"
	2	1700429	Flat Washer - 3/8"
	3	1119559	Pillow Block Bearing - 1"
	4	1119330	Bearing Support Angle - 20"
	5	1701580	Nylon Lock Nut - 3/8"
	6	1704476	Torsion Spring - Driver Side
		1704477	Torsion Spring - Passenger Side
	7	1704478	Spring Shaft - 1" x 27"
		1704473	Spring Shaft - 1" x 24"
		1704479	Spring Shaft - 1" x 31"
	8	1119329	Spring Retainer Bracket
	9	1119560	Flange Bearing - 1"
	10	1701528	Cap Screw - 3/8" x 6"
		1700373	Cap Screw - 3/8" x 5"
	11	1704057	Hex Head Cap Screw - 3/8" x 2"
	12	1701176	Flat Washer - 3/8"
	13	1702573	Cap Screw - 3/8" x 2-1/2"
	14	1119112	Spring Pivot Connector w/Set Screw



SPRING ASSEMBLIES – UNDERBODY HEX SHAFT

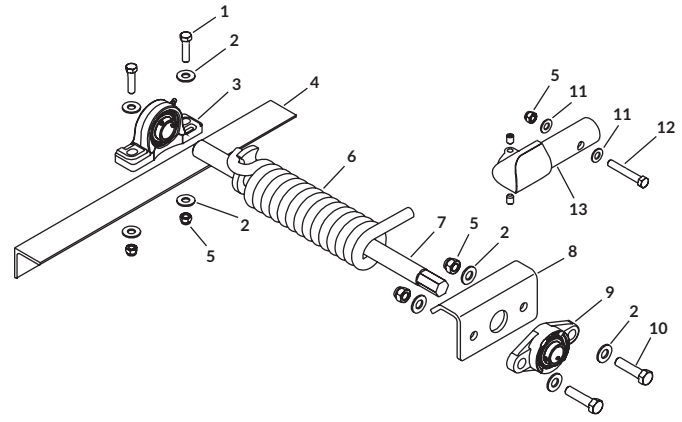
PRICE	ITEM	PART #	DESCRIPTION
			Underbody Hex Shaft Spring Kit [Includes 2 of 1, 2, 5, 6, 9 & 12; 4 of 3, 7 & 8; 8 of 4]
			Underbody Hex Shaft Spring Kit - Driver Side [Includes 1; 2; 5; 6; 9; 2 of 3, 7 & 8; 4 of 4]
			Underbody Hex Shaft Spring Kit - Passenger Side [Includes 1; 2; 5; 6; 9; 2 of 3, 7 & 8; 4 of 4]
	1	1704476	Torsion Spring - Driver Side
		1704477	Torsion Spring - Passenger Side
	2	1704480	Spring Shaft - 14.88"
	3	1701580	Nylon Lock Nut - 3/8"
	4	1700429	Flat Washer - 3/8"
	5	1118955	Spring Retainer Weldment
	6	1704456	Flange Bearing - 7/8" Hex
	7	1704057	Cap Screw - 3/8" x 2"
	8	1704491	Set Screw - 1/4" x 1/4"
	9	1704489	Locking Collar
	10	1701176	Flat Washer - 3/8"
	11	1702573	Cap Screw - 3/8" x 2-1/2"
	12	1119112	Spring Pivot Connector w/Set Screw

NOTE: Use for systems UNDER 29'.

SPRING ASSEMBLIES – UNDERBODY HEX ROUND SHAFT

PRICE	ITEM	PART #	DESCRIPTION
			Underbody Hex/Round Shaft Spring Kit - Driver Side [Includes 3; 6; 7; 8; 9; 2 of 1 & 10; 4 of 5; 8 of 2]
			Underbody Hex/Round Shaft Spring Kit - Passenger Side [Includes 3; 6; 7; 8; 9; 2 of 1 & 10; 4 of 5; 8 of 2]
	1	1701434	Hex Head Cap Screw - 3/8" x 1-1/2"
	2	1700429	Flat Washer - 3/8"
	3	1119559	Pillow Block Bearing - 1"
	4	1119330	Bearing Support Angle - 20"
	5	1701580	Nylon Lock Nut - 3/8"
	6	1704476	Torsion Spring - Driver Side
		1704477	Torsion Spring - Passenger Side
	7	1704472	Spring Shaft - 1" OD x 19"
	8	1119329	Spring Retainer Bracket
	9	1119560	Flange Bearing - 1" OD - 2 Bolt
	10	1704057	Hex Head Cap Screw - 3/8" x 2"
	11	1701176	Flat Washer - 3/8"
	12	1702573	Cap Screw - 3/8" x 2-1/2"
	13	1119112	Spring Pivot Connector w/Set Screw

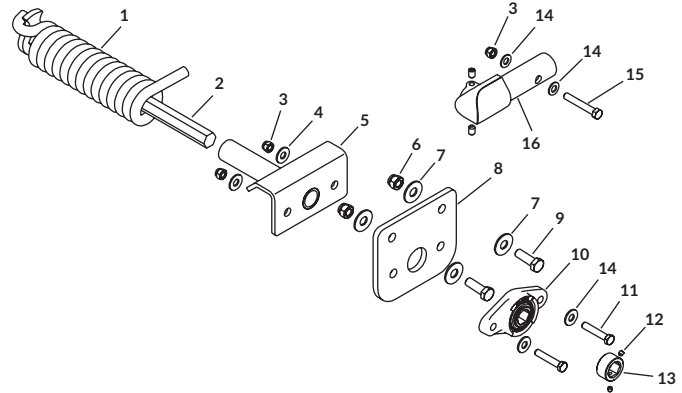
NOTE: Use for systems OVER 29'.

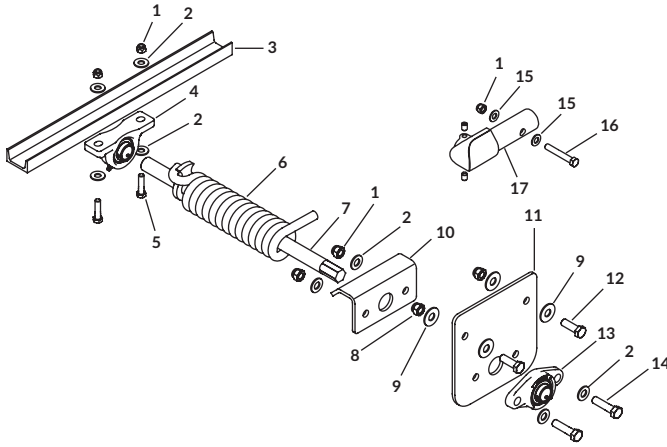


SPRING ASSEMBLIES – UNDERRAIL HEX SHAFT

PRICE	ITEM	PART #	DESCRIPTION
			Underrail Hex Shaft Spring Kit - Driver Side [Includes 1; 2; 5; 8; 10; 13; 2 of 3, 6, 9, 11 & 12; 4 of 4 & 7]
			Underrail Hex Shaft Spring Kit - Passenger Side [Includes 1; 2; 5; 8; 10; 13; 2 of 3, 6, 9, 11 & 12; 4 of 4 & 7]
	1	1704476	Torsion Spring - Driver Side
		1704477	Torsion Spring - Passenger Side
	2	1704480	Spring Shaft - 14.88"
	3	1701580	Nylon Lock Nut - 3/8"
	4	1700429	Flat Washer - 3/8"
	5	1118955	Spring Retainer Weldment
	6	1702115	Nylon Lock Hex Nut - 1/2"
	7	1702114	Flat Washer - 1/2"
	8	1119107	Drop Plate
	9	1702075	Hex Head Cap Screw - 1/2" x 1-1/2"
	10	1704456	Flange Bearing - 7/8" Hex
	11	1704057	Cap Screw - 3/8" x 2"
	12	1704491	Set Screw - 1/4" x 1/4"
	13	1704489	Locking Collar
	14	1701176	Flat Washer - 3/8"
	15	1702573	Cap Screw - 3/8" x 2-1/2"
	16	1119112	Spring Pivot Connector w/Set Screw

NOTE: Use for systems UNDER 29'.

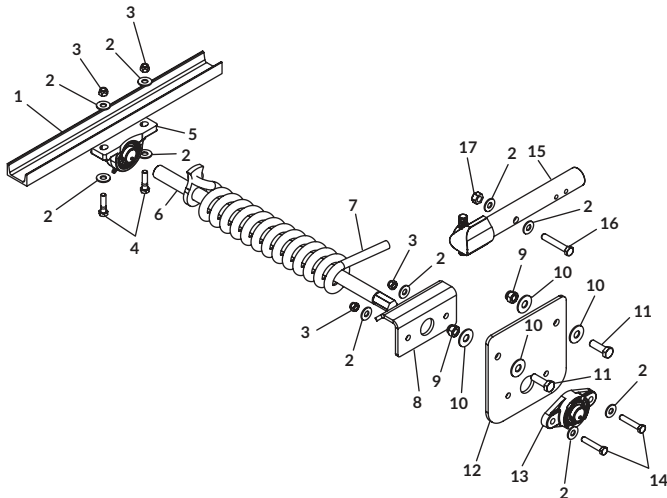




SPRING ASSEMBLIES – UNDERRAIL HEX ROUND SHAFT

PRICE	ITEM	PART #	DESCRIPTION
			Underrail Hex/Round Shaft Spring Kit - Driver Side [Includes 4; 6; 7; 10; 11; 13; 2 of 5, 8, 12 & 14; 4 of 1 & 9; 8 of 2]
			Underrail Hex/Round Shaft Spring Kit - Passenger Side [Includes 4; 6; 7; 10; 11; 13; 2 of 5, 8, 12 & 14; 4 of 1 & 9; 8 of 2]
	1	1701580	Nylon Lock Nut - 3/8"
	2	1700429	Flat Washer - 3/8"
	3	1119564	Steel-Bearing Support Channel
		1119565	Aluminum-Bearing Support Channel
	4	1119559	Pillow Block Bearing - 1"
	5	1701434	Hex Head Cap Screw - 3/8" x 1-1/2"
	6	1704476	Torsion Spring - Driver Side
		1704477	Torsion Spring - Passenger Side
	7	1704472	Spring Shaft - 1" OD - 19"
	8	1702115	Nylon Lock Hex Nut - 1/2"
	9	1702114	Flat Washer - 1/2"
	10	1119329	Spring Retainer Bracket
	11	1119110	Spring Hanger Plate
	12	1702075	Hex Head Cap Screw - 1/2" x 1-1/2"
	13	1119560	Flange Bearing - 1"
	14	1704057	Hex Head Cap Screw - 3/8" x 2"
	15	1701176	Flat Washer - 3/8"
	16	1702573	Cap Screw - 3/8" x 2-1/2"
	17	1119112	Spring Pivot Connector w/Set

NOTE: Use for systems OVER 29'.



SPRING ASSEMBLIES – UNDERRAIL HEAVY-DUTY HEX ROUND SHAFT

PRICE	ITEM	PART #	DESCRIPTION
			Underrail Heavy-Duty Hex/Round Shaft Spring Kit - Driver Side [Includes 5; 6; 7; 8; 12; 13; 2 of 4, 9, 11 & 14; 4 of 3 & 10; 8 of 2]
			Underrail Heavy-Duty Hex/Round Shaft Spring Kit - Passenger Side [Includes 5; 6; 7; 8; 12; 13; 2 of 4, 9, 11 & 14; 4 of 3 & 10; 8 of 2]
	1	1119564	Steel-Bearing Support Channel
	2	1700429	Flat Washer - 3/8"
	3	1701580	Nylon Lock Nut - 3/8"
	4	1701434	Hex Head Cap Screw - 3/8" x 1-1/2"
	5	1119559	Pillow Block Bearing - 1"
	6	1706160	Heavy-Duty Spring Shaft - 1" OD - 24"
	7	1801442	Heavy-Duty Torsion Spring - Driver Side
		1801438	Heavy-Duty Torsion Spring - Passenger Side
	8	1119329	Spring Retainer Bracket
	9	1702115	Nylon Lock Hex Nut - 1/2"
	10	1702114	Flat Washer - 1/2"
	11	1702075	Hex Head Cap Screw - 1/2" x 1-1/2"
	12	1119110	Spring Hanger Plate
	13	1119560	Flange Bearing - 1"
	14	1704057	Hex Head Cap Screw - 3/8" x 2"
	15	1801636	Heavy-Duty Spring Pivot Connector w/Set Screw
	16	1704072	Hex Head Cap Screw - 7/16" x 2-1/2"
	17	1706171	Nylon Lock Hex Nut - 7/16"

NOTE: Use for systems OVER 37'.

