



INDEX - 5

SHUR-CO® DISTRIBUTION CENTERS 2

SHUR-TRAK II™ APPLICATIONS

- For End Dumps, Belly Dumps and Dump Bodies..... 3-4
- Shur-Trak II™ Continuous Wind Anchor..... 5
- Shur-Trak II™ ShortStop™ 5

REPLACEMENT TARPS 6

ORDER FORMS 7-8

OPTIONS AND UPGRADES 9-11

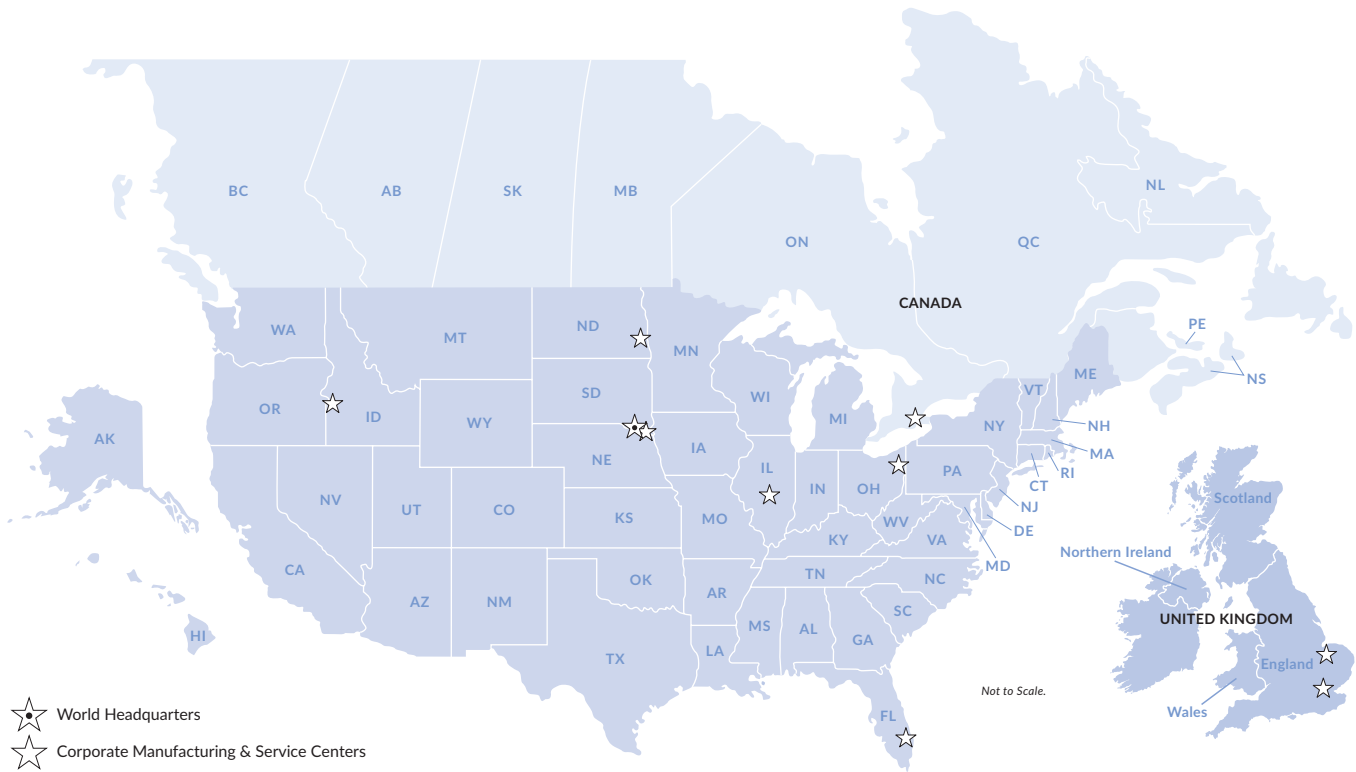
GENUINE REPLACEMENT PARTS 12-29

Volume 44 Introduction of the ShurLink™ Wireless System.

ShurLink EZR™ | ShurLink PRO™



SHUR-CO® SALES AND DISTRIBUTION CENTERS



World Headquarters
SHUR-CO® CORPORATE HQ
 2309 Shur-Lok St., Yankton
800.474.8756
 FAX: 605.665.0501

Donovan® Brand Headquarters
SHUR-CO® of FLORIDA
 3353 SE Gran Park Way, Stuart
800.327.8287
 FAX: 772.287.0431

SHUR-CO® of CANADA
 490 Egin St., Unit #2
 Brantford, Ontario N3S 7P8
800.265.0823
 FAX: 519.715.3997

SHUR-CO® of IDAHO
 921 Garber St., Caldwell
208.455.1046
 FAX: 208.459.1190

SHUR-CO® of OHIO
 4676 Lynn Rd., Rootstown
866.356.0242
 FAX: 330.297.5599

SHUR-CO® of SOUTH DAKOTA
 1212 N. Norbeck St., Vermillion
605.658.1020
 FAX: 605.658.1022

SHUR-CO® of ILLINOIS
 3993 E. Mueller Ave., Decatur
866.356.0246
 FAX: 217.877.8270

SHUR-CO® of NORTH DAKOTA
 1746 4th Ave. NW, West Fargo
877.868.4488
 FAX: 701.277.1283

SHUR-CO® UK Limited
 Rochester Airport Est., Unit 41
 Laker Rd.
 Rochester, Kent ME1 3QX
 +44 (0) 1795.473499

STANDARD v. OPTIONS

Each Shur-Co® tarp system comes with standard features. These are bulleted (●) and noted as **Standard** in bold type under STANDARD FEATURES AND OPTIONS, like the direct-drive 83" crank drive on the next page. Any change from these standard features affects the cost of your system. This is noted as an "add," "deduct" or no charge "N/C."

Under CRANK DRIVES, if you replace the direct-drive 83" crank arm with a manual crank chain drive, for example, you will need to add to your total cost. Similarly, if you order a crank reducer, you'll need to add to the total.

STANDARD FEATURES AND OPTIONS

CRANK DRIVES	
● Direct-Drive 83" Crank Arm	Standard
Manual Crank Chain Drive	Add
Crank Reducer	Add
Crank Arm Extension - 114"	Add

If you have questions on options and upgrades, there is a complete list of photos and descriptions (see pgs. 9-11).

NOTE: All prices in this catalog are subject to change without notice. All components other than standard may require a non-refundable \$100 special processing fee. Call for details.

SHUR-TRAK II™ FOR END DUMPS, BELLY DUMPS AND DUMP BODIES



Start with your pulley-to-pulley measurement which is critical to determining the correct length of system on the following pages of kits. Start with your box dimensions from the chart at right, rounding up as needed. Using the STANDARD FEATURES AND OPTIONS chart on the next page, add or deduct as instructed for any changes from the bulleted (●) standard equipment.

The over-the-rail tarp that comes standard on the complete kits helps shed water better. If water resistance is not a factor, our Shur-Trak II™ ShortStop™ kits have a tarp that stops short of the rail to eliminate friction. Continuous wind anchor kits are also available (see pg. 5 for both options).

Our universal landing's bolt-together design squares radius corners and can mount out to 18" (on square corners only) for more loading space on belly dumps.

SHUR-TRAK II™ FOR END DUMPS, BELLY DUMPS AND DUMP BODIES



Start with your box dimensions from the chart below, rounding up as needed. Using the STANDARD FEATURES AND OPTIONS chart at left, add or deduct as instructed for any changes from the bulleted (●) standard equipment.

COMPLETE KITS

PULLEY-TO-PULLEY LENGTH*	ADJUSTABLE DRIVE		UNIVERSAL LANDING** W/ FLAT OR RAISED COVER	
	Mesh	Vinyl	Mesh	Vinyl
9'9" to 12'8"				
12'9" to 15'7"				
15'8" to 18'6"				
18'7" to 21'5"				
21'6" to 24'4"				
24'5" to 27'3"				
27'4" to 30'2"				
30'3" to 33'1"				
33'2" to 36'				
36'1" to 38'11"				
39' to 41'10"				
41'11 to 44'9"				

*Pulley-to-pulley measurement is critical to determining correct length of system.

**Universal landing may be extended up to 18" on square fronts. Call for details.

COMPLETE KITS w/CONTINUOUS WIND ANCHORS

PULLEY-TO-PULLEY LENGTH*	ADJUSTABLE DRIVE		UNIVERSAL LANDING** W/ FLAT OR RAISED COVER	
	Mesh	Vinyl	Mesh	Vinyl
9'9" to 12'8"				
12'9" to 15'7"				
15'8" to 18'6"				
18'7" to 21'5"				
21'6" to 24'4"				
24'5" to 27'3"				
27'4" to 30'2"				
30'3" to 33'1"				
33'2" to 36'				
36'1" to 38'11"				
39' to 41'10"				
41'11 to 44'9"				

*Pulley-to-pulley measurement is critical to determining correct length of system.

**Universal landing may be extended up to 18" on square fronts. Call for details.

See REPLACEMENT TARPS, pg. 6.

STANDARD FEATURES AND OPTIONS

ELECTRICS	
HD Electric Chain Drive Kit (Side Mount - 50')	Add
HD Electric Chain Drive Kit (Side Mount - 75')	Add
HD Electric Chain Drive Kit (Side Mount - 100')	Add
Durabuilt™ Electric Chain Drive Kit (Side Mount - 50')	Add
Durabuilt™ Electric Chain Drive Kit (Side Mount - 75')	Add
Durabuilt™ Electric Chain Drive Kit (Side Mount - 100')	Add
Durabuilt™ Electric Drive Kit (Side Mount - 50')	Add
Durabuilt™ Electric Drive Kit (Side Mount - 75')	Add
Upgrade to ShurLink EZR™ w/o Express Mode (For HD Motor Only)	Add
Solar HD Electric Upgrade	Add
Solar Durabuilt™ Electric Motor Upgrade	Add
FRONT DRIVE ASSEMBLIES	
Flat Front Cover - For Adjustable Drive	Add
Raised Front Cover - For Adjustable Drive	Add
CRANK DRIVES	
● Direct-Drive 83" Crank Arm	Standard
Manual Crank Chain Drive	Add
Crank Reducer	Add
Crank Arm Extension - 114"	Add
BOWS	
● 12" Rise Adjustable-Width Bows	Standard
16" High Rise Bows	
Flat Bow - For ShortStop™ Only	
6" Bows - For ShortStop™ Only	
12" Bows - For ShortStop™ Only	
18" Bows - For ShortStop™ Only	
BOW SHANKS	
● Twist-Lok™ Bow Shanks	Standard
Extended Twist-Lok™ Bow Shank	Add/Bow
Bow Stops (2) - Used w/Raised Shield	Add/Set
Bow Lift Kit (High-Lift Hinges)	
REAR BOW SUPPORT	
● Rear Bow Stabilizer	Standard
WINDGUARDS	
● Rolling Wheel Windguards	Standard
Additional Windguards (2)	Add/Set
REAR PULLEYS	
● Rear Pulley W/Tension Adjustment*	Standard
Pulley Bracket w/Cable Tension	
Pulley Bracket Extended w/Cable Tension	
CABLES	
● Galvanized Steel 1/4" Cable	Standard
Stainless Steel 1/4" Cable (Cable Length x 2)	Add/Ft.
CABLE TENSION	
● Cable Tension Scale	Standard
RETAINERS	
● Offset Crank Retainer	Standard
Offset Pinless Crank Retainer	Add
TARP OPTIONS	
● 18-Oz. Vinyl or Mesh Tarp - Choice of Color**	Standard
Multicolored Tarp (per added color)	Add
Extended Rear Tail Flap (Up to 18")	Add
ACCESSORIES	
Jack Shaft- For V-Bottom & Half Round Trailers Only	Add
Bridge Plates (2)	Add/Set
Landing Brace - For Belly Dumps Only	Add
18' - Plastic Glide Strip	Add
24' - Plastic Glide Strip	Add
30' - Plastic Glide Strip	Add
40' - Plastic Glide Strip	Add
48' - Plastic Glide Strip	Add

*Does NOT include cable tension scale.

**Available vinyl colors: red, black, royal blue, white, yellow, green, orange, grape.

NOTE: The Durabuilt™ motor is recommended for trailers up to 25'; longer trailers should utilize the heavy-duty motor.

CONTINUOUS WIND ANCHOR AND SHORTSTOP™ FOR SHUR-TRAK II™



Start with your box dimensions from the chart below, rounding up as needed. Using the STANDARD FEATURES AND OPTIONS chart at left, add or deduct as instructed for any changes from the bulleted (•) standard equipment.

The continuous wind anchor has an offset arm that positions the windhooks under the anchor as the system opens and closes. Its wider design, running the full length of the trailer, and close proximity to the bottom of the shanks increases safety by containing the windguard wheel beneath the wind anchors.

HARDWARE QTY

PULLEY-TO-PULLEY LENGTH	WIND-GUARDS	CABLE LENGTH (PER SIDE)	BOW QUANTITY*
9'9" to 12'8"	1/Side	29'4"	4
12'9" to 15'7"	1/Side	35'2"	5
15'8" to 18'6"	1/Side	41'	6
18'7" to 21'5"	2/Side	46'10"	7
21'6" to 24'4"	2/Side	52'8"	8
24'5" to 27'3"	2/Side	58'6"	9
27'4" to 30'2"	3/Side	64'4"	10
30'3" to 33'1"	3/Side	70'2"	11
33'2" to 36'	3/Side	76'	12
36'1" to 38'11"	4/Side	81'10"	13
39' to 41'10"	4/Side	87'8"	14
41'11" to 44'9"	4/Side	93'6"	15

*The two (2) bows in the rear bow stabilizer are counted as one (1).



The ShortStop™ tarp option stops the tarp short of the sliding surface. This eliminates friction and can extend the life of your tarp. These systems utilize ShortStop™ Twist-Lok™ bow shanks, which slip onto the cable and twist into position for easy installation and no-hassle tarp replacement. Like our standard Twist-Lok™ shanks, these hold the cable 1" below the top rail.

Several bow options are available for ShortStop™ kits, including flat, 6" rise, 12" rise and 18" rise (see pg. 4).

COMPLETE KITS w/SHORTSTOP™ TARPS

PULLEY-TO-PULLEY LENGTH*	ADJUSTABLE DRIVE		UNIVERSAL LANDING** W/ FLAT OR RAISED COVER	
	Mesh	Vinyl	Mesh	Vinyl
9'9" to 12'8"				
12'9" to 15'7"				
15'8" to 18'6"				
18'7" to 21'5"				
21'6" to 24'4"				
24'5" to 27'3"				
27'4" to 30'2"				
30'3" to 33'1"				
33'2" to 36'				
36'1" to 38'11"				
39' to 41'10"				
41'11" to 44'9"				

COMPLETE KITS w/SHORTSTOP™ TARPS AND CONTINUOUS WIND ANCHORS

PULLEY-TO-PULLEY LENGTH*	ADJUSTABLE DRIVE		UNIVERSAL LANDING** W/ FLAT OR RAISED COVER	
	Mesh	Vinyl	Mesh	Vinyl
9'9" to 12'8"				
12'9" to 15'7"				
15'8" to 18'6"				
18'7" to 21'5"				
21'6" to 24'4"				
24'5" to 27'3"				
27'4" to 30'2"				
30'3" to 33'1"				
33'2" to 36'				
36'1" to 38'11"				
39' to 41'10"				
41'11" to 44'9"				

*Pulley-to-pulley measurement is critical to determining correct length of system.

**Universal landing may be extended up to 18" on square fronts. Call for details.

REPLACEMENT TARPS FOR CABLE SYSTEMS

SHUR-TRAK™/SHUR-TRAK II™

PULLEY-TO-PULLEY LENGTH	MESH	18-OZ. VINYL
9'9" to 12'8"		
12'9" to 15'7"		
15'8" to 18'6"		
18'7" to 21'5"		
21'6" to 24'4"		
24'5" to 27'3"		
27'4" to 30'2"		
30'3" to 33'1"		
33'2" to 36'		
36'1" to 38'11"		
39' to 41'10"		
41'11" to 44'9"		

SHUR-TRAK II™ SHORTSTOP™/COVER-PRO II®

PULLEY-TO-PULLEY LENGTH	MESH	18-OZ. VINYL
9'9" to 12'8"		
12'9" to 15'7"		
15'8" to 18'6"		
18'7" to 21'5"		
21'6" to 24'4"		
24'5" to 27'3"		
27'4" to 30'2"		
30'3" to 33'1"		
33'2" to 36'		
36'1" to 38'11"		
39' to 41'10"		
41'11" to 44'9"		

COVER-PRO®

PULLEY-TO-PULLEY LENGTH	BOW QTY	MESH	18-OZ. VINYL
Up to 10'6"	4		
10'7" to 13'	5		
13'1" to 15'6"	6		
15'7" to 18'	7		
18'1" to 20'6"	8		
20'7" to 23'	9		
23'1" to 25'6"	10		
25'7" to 28'	11		
28'1" to 30'6"	12		
30'7" to 33'	13		
33'1" to 35'6"	14		
35'7" to 38'	15		
38'1" to 40'6"	16		
40'7" to 43"	17		

PRICING DIRECTIONS: Pricing given above is for black ONLY. For all other colors, add a 15% upcharge to the price of the tarp. Additional available vinyl colors: royal blue, white, red, yellow, green, orange, grape, ma-ron, tan, or gray. Additional available mesh color: red.

HARDWARE QUANTITIES FOR CABLE SYSTEMS

SHUR-TRAK II™/SHUR-TRAK™ SHORTSTOP™

PULLEY-TO-PULLEY LENGTH	WINDGUARDS	BOW QUANTITY
9'9" to 12'8"	1/Side	4
12'9" to 15'7"	1/Side	5
15'8" to 18'6"	1/Side	6
18'7" to 21'5"	1/Side	7
21'6" to 24'4"	2/Side	8
24'5" to 27'3"	2/Side	9
27'4" to 30'2"	2/Side	10
30'3" to 33'1"	2/Side	11
33'2" to 36'	2/Side	12
36'1" to 38'11"	2/Side	13
39' to 41'10"	2/Side	14
41'11" to 44'9"	2/Side	15

*The two (2) bows in the rear bow stabilizer for Shur-Trak II™ and Shur-Trak™ Short-Stop™ are counted as one (1).

SHUR-TRAK II™ REPLACEMENT TARP ORDER FORM

CORRECT PHYSICAL MEASUREMENTS ARE ESSENTIAL FOR PROPER TARP FIT. PROVIDE ALL REQUESTED INFORMATION OR YOUR ORDER MAY BE DELAYED. **DO NOT** USE UNIVERSAL BOX SIZES. **ALWAYS** USE ACTUAL MEASUREMENTS. BOX SIZE AND FINISHED TARP SIZE ARE **NOT** THE SAME.

CONTACT INFORMATION

G01OF-0512

NAME _____
 ADDRESS _____
 EMAIL _____
 CITY _____ STATE _____ ZIP _____
 PHONE _____ FAX _____
 BOX/TRAILER MAKE _____

REQUIRED MEASUREMENTS

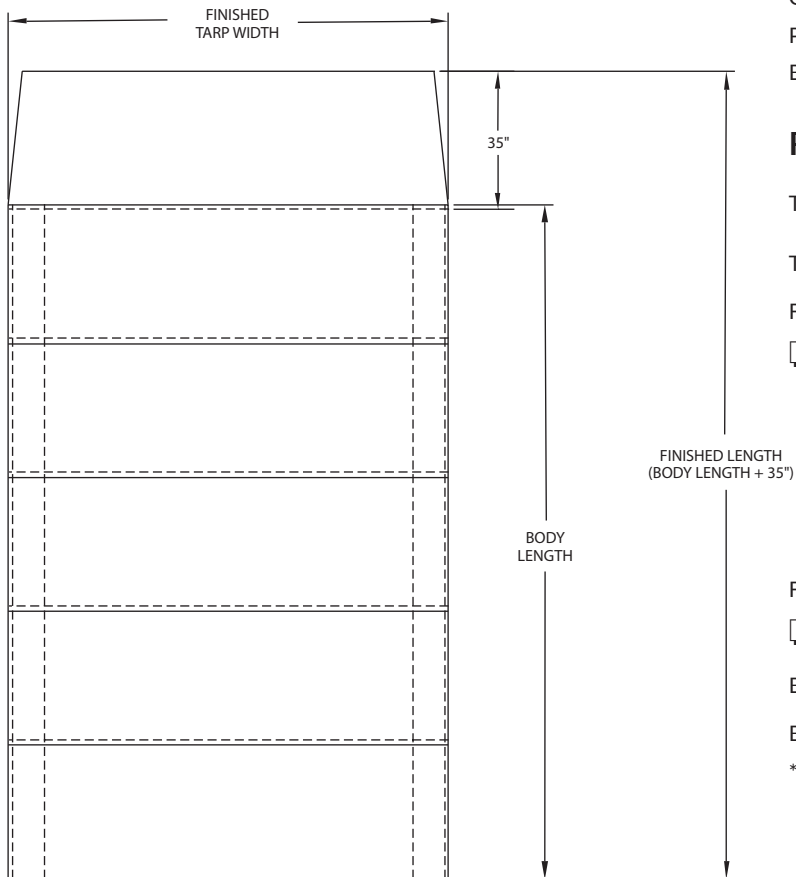
TARP BODY LENGTH _____
Must answer this
 TARP WIDTH _____
 FABRIC TYPE
 MESH VINYL
 FABRIC COLOR(S) _____
 INSIDE BOX WIDTH _____
 OUTSIDE BOX WIDTH _____
Measure widest part of trailer

FRONT SECTION
 RAISED COVER FLAT COVER

BOW COUNT* _____

BOW RISE _____

* The two (2) bows in the rear bow stabilizer are counted as one (1).



SHORTSTOP™ AND COVER-PRO® REPLACEMENT TARP ORDER FORM

CORRECT PHYSICAL MEASUREMENTS ARE ESSENTIAL FOR PROPER TARP FIT. PROVIDE ALL REQUESTED INFORMATION OR YOUR ORDER MAY BE DELAYED. **DO NOT** USE UNIVERSAL BOX SIZES. **ALWAYS** USE ACTUAL MEASUREMENTS. BOX SIZE AND FINISHED TARP SIZE ARE **NOT** THE SAME.

CONTACT INFORMATION

G02OF-0512

NAME _____
 ADDRESS _____
 EMAIL _____
 CITY _____ STATE _____ ZIP _____
 PHONE _____ FAX _____
 BOX/TRAILER MAKE _____

REQUIRED MEASUREMENTS

TARP BODY LENGTH _____
Must answer this

TARP WIDTH _____

FABRIC TYPE

MESH VINYL

FABRIC COLOR(S) _____

INSIDE BOX WIDTH _____

OUTSIDE BOX WIDTH _____
Measure widest part of trailer

BOW SPACING

30" Cover-Pro® 36" Shur-Trak™ ShortStop™ *Cover-Pro II® and*

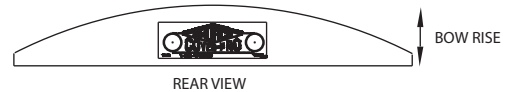
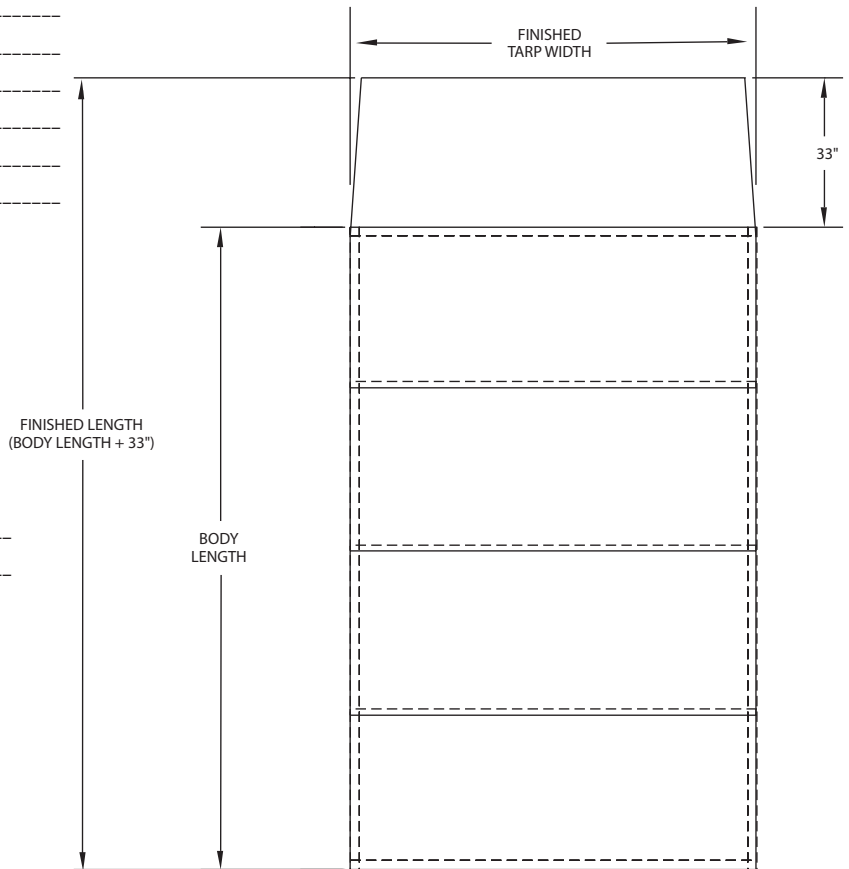
BOW COUNT* _____

BOW RISE _____

TARP FASTENER

POCKET BOLT-ON VELCRO® LOOPS

* The two (2) bows in the rear bow stabilizer are counted as one (1).



BOW SHANKS



Twist-Lok™

Compression-molded to slide along rail. Can be twisted off or on without removing cable.



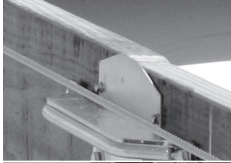
Extended Twist-Lok™

Spans self-cleaning top rails or wide-spaced cable positioning. Used on tapered trailers.



High-Lift Bow Shank

For high-lift gate applications. Lets bow shank slide past gate hydraulics to close tarp right up to back of trailer.



Bridge Plate

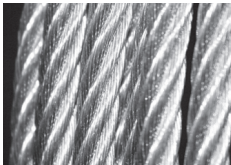
Transitions gaps in top rails or sideboards so bow shanks can slide without interference.



UHMW Glide Strip

Levels uneven top rails on all cable systems. Bridges gaps in planks, reduces bow friction.

CABLES



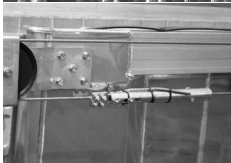
Galvanized Steel

Offers good corrosion resistance, plus 7,000-lb. breaking strength for securing tarp.



Stainless Steel

Strength performance matches galvanized steel cable, with increased rust resistance.



Cable Tension Scale

Equipped with thrust washer to make adjustments easy, corrections made with a few twists of the wrist.

CRANK DRIVES



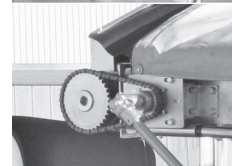
Direct-Drive Crank

Connects directly to end of drive shaft with U-joint, allowing cranking from ground.



Manual Crank Chain Drive

Permits relocation of crank handle at ground level using chain-and-sprocket drive.



Crank Reducer

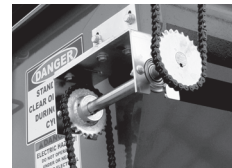
Allows direct-drive crank to be operated at a 2:1 gear reduction, for easier cranking.



Crank Arm Extension

Extends length of a standard direct-drive crank from 83" to 114" for taller trailers.

CRANK RELOCATORS



Jack Shaft

Allows chain drive relocation from side to front. Good selection for V-bottom trailers.



Double Idler

Sprocket gear connection on idler shaft so chain crank can be routed around obstacles.

CRANK RETAINERS



Offset

Holds direct-drive crank in J-hook secured with wire lock pin when crank not in use.



Offset Pinless

Automatic spring-loaded lock replaces wire lock pin to ensure crank stays in place.

OPTIONS AND UPGRADES

ELECTRIC ACCESSORIES



Rocker Switch

Allows control of tarp using a switch conveniently located inside the cab.



ShurLink EZR™ Remote

Popular modular 5-channel remote operates electric tarp, plus 4 additional 12V options.



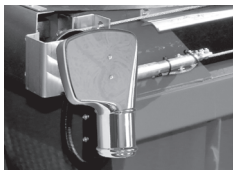
Heavy-Duty Motor

Powerful electric drive offers a strong performance on all lengths of cable tarp systems.



Durabuilt™ Motor w/Cover

Economical alternative to HD motor that performs well on shorter cable systems.



Motor Side Mount

Allows easy conversion to an electric drive, mounts motor directly on drive shaft.

FRONT COVERS



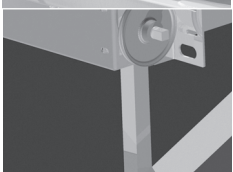
Flat

Flat top-channel shape guards drive shaft assembly and provides tarp-mounting surface.



Raised

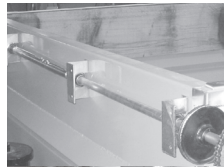
Guards drive shaft assembly. Provides a raised wind barrier and tarp-mounting surface.



Landing Brace

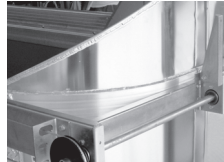
Additional support for universal landing when extended off front of belly-dump trailers.

FRONT DRIVES



Adjustable Drive

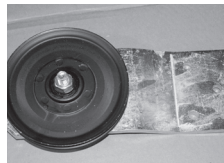
Has 4 pillow block bearings and a center coupler to adjust pulley-to-pulley width.



Universal Landing

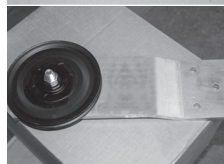
Permits entire front assembly to be installed at once. Easily adjusts to correct width.

REAR PULLEYS



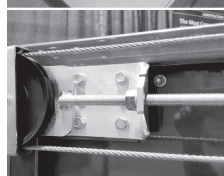
Standard

Lets drive cable run front to back of trailer. Mounts horizontally, vertically or angled.



Extended Bracket

Allows tarp to extend fully to rear if mounting surface is too far forward for standard.



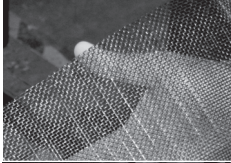
Adjustable

For fast, easy adjustment to drive cables. Standard maintenance with minimal tools.

TARP OPTIONS



Solid Vinyl-Coated Fabric
Heat-welded seams provide an added moisture barrier. Built-in UV inhibitors resist fading.



Mesh Fabric
Durable lightweight fabric offers good air circulation in addition to secure containment.



Multicolored Fabric
Custom color creates high visibility for instant recognition. Acts as a deterrent to theft.

TARP REPAIR



Standard Kit
One pint of cleaner, 1 quart of vinyl cement and 10 square feet of vinyl-coated fabric.



Professional Kit
Includes a Wagner heat gun, scissors, roller, 10 square feet of fabric and instructions.

WINDGUARDS



Wheel Design
Inline design can be added as needed to reduce binding and decrease wind up under tarp.



Continuous Design
Wider design with offset arm places windhooks under anchor for full length of trailer.

GENUINE CABLE SYSTEM REPLACEMENT PARTS



Genuine Shur-Co® replacement parts are proven to fit and function better. For quality performance, go with the name you can trust. Remember that utilizing non-Genuine parts voids your warranty. For your convenience, we also have a comprehensive numerical listing of Shur-Co® parts and prices in Section 8.

NOTE: All prices in this catalog are subject to change without notice. All components other than standard may require a non-refundable \$100 special processing fee. Call for details.

TARP REPAIR SUPPLIES(see Section 1 - Shur-Lok®/PBR, p. 41)

SHUR-TRAK II™ SYSTEM

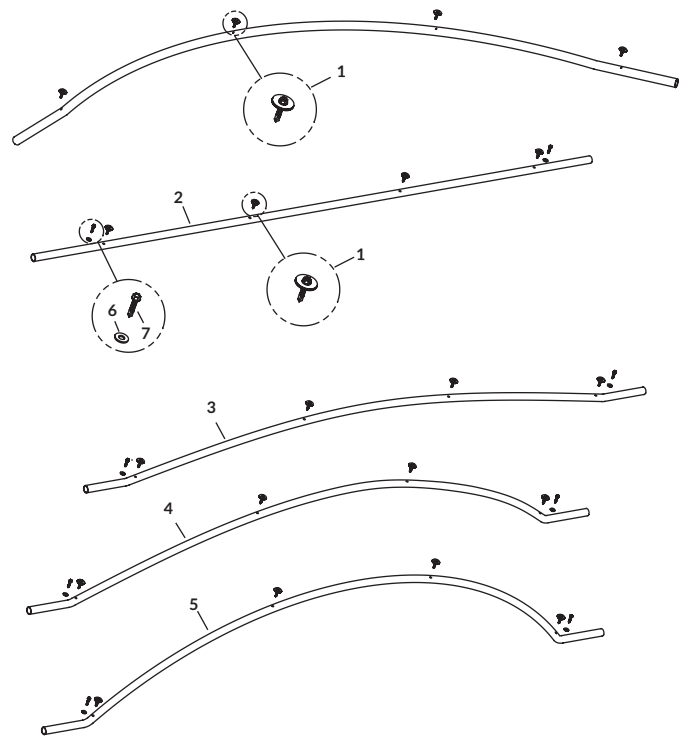
- Bow Assemblies 12
- Bow Shanks.....13-15
- Cable Assemblies..... 16
- Cable Tension Scales..... 16
- Crank Arms..... 17
- Crank Drives 17
- Crank Reducers 18
- Crank Retainers..... 18
- Electrics.....19-20
- Front Covers 21-22
- Glide Strips 23
- Jack Shafts..... 23
- Rear Pulleys..... 23

COVER-PRO II® SYSTEM

- Bow Assemblies 24
- Bow Shanks/Windguards 24
- Cable Assemblies..... 25
- Crank Drives 25
- Double Idlers..... 25
- Electrics.....26-27
- Front Drives 27
- Glide Strips 28
- Jack Shafts..... 28
- Mounting Tubes 28
- Rear Pulleys..... 29
- Tarp Tubes 29
- Windshields..... 29

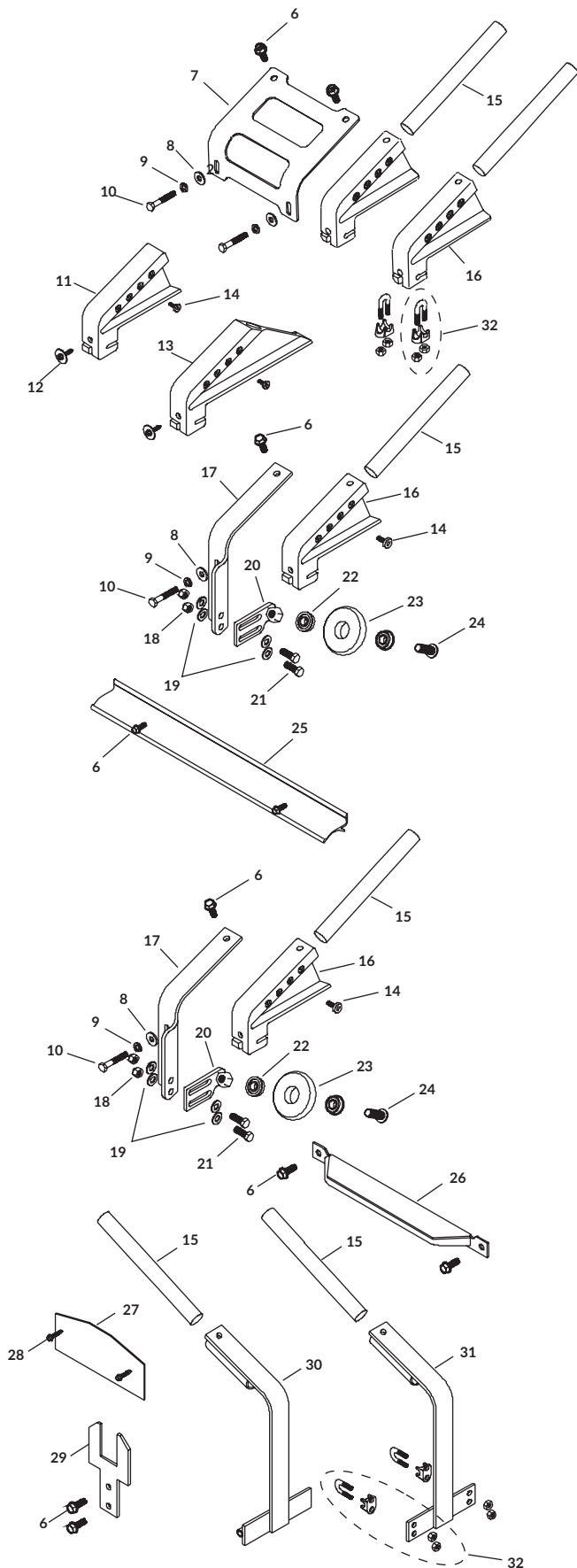
SHUR-TRAK II™ BOW ASSEMBLIES

PRICE	ITEM	PART #	DESCRIPTION
For STANDARD BOWS			
		1117527	Bow Kit - 12" Rise - 72" to 77"
		1117528	Bow Kit - 12" Rise - 78" to 83"
		1117542	Bow Kit - 12" Rise - 84" to 89"
		1110959	Bow Kit - 12" Rise - 90" to 95"
		1110960	Bow Kit - 12" Rise - 96" to 101"
		1111382	Bow Kit - 12" Rise - 102" to 104"
		1110961	Bow Kit - 16" Rise - 90" to 95"
		1110962	Bow Kit - 16" Rise - 96" to 101"
		1111381	Bow Kit - 16" Rise - 102" to 104"
1		1701520	Screw/Rubber Washer Set - 3/4"
For SHORTSTOP™ BOWS			
2		1117540	Bow Kit - Flat - 72" to 78"
		1117534	Bow Kit - Flat - 79" to 85"
		1116089	Bow Kit - Flat - 92"
		1116093	Bow Kit - Flat - 96"
		1116097	Bow Kit - Flat - 102"
3		1117536	Bow Kit - 6" Rise - 72" to 78"
		1117530	Bow Kit - 6" Rise - 79" to 85"
		1116086	Bow Kit - 6" Rise - 92"
		1116090	Bow Kit - 6" Rise - 96"
		1116094	Bow Kit - 6" Rise - 102"
4		1117538	Bow Kit - 12" Rise - 72" to 78"
		1117532	Bow Kit - 12" Rise - 79" to 85"
		1116087	Bow Kit - 12" Rise - 92"
		1116091	Bow Kit - 12" Rise - 96"
		1116095	Bow Kit - 12" Rise - 102"
5		1116088	Bow Kit - 18" Rise - 92"
		1116092	Bow Kit - 18" Rise - 96"
		1116096	Bow Kit - 18" Rise - 102"
6		1700427	Flat Washer - 1/4"
7		1701471	Self-Drilling Screw - #12 x 1"



*Includes hardware to attach tarp to bow.

SHUR-TRAK II™ BOW SHANKS



PRICE	ITEM	PART #	DESCRIPTION	
		1116898	Rear Bow Stabilizer Shank Kit [Includes 4; 2; 2 of 15 & 16]	
		1115563	Twist-Lok™ Windguard Shank Kit [Includes 1; 5; 15; 16; 26]	
		1115564	Twist-Lok™ Extended Windguard Shank Kit [Includes 1; 5; 13; 15; 26]	
		1113879	Twist-Lok™ Windguard Shank Kit [Includes 5; 16]	
		1114707	Twist-Lok™ Extended Windguard Shank Kit [Includes 5; 13]	
		1114027	Twist-Lok™ Intermediate Shank Kit [Includes 11; 12; 14]	
		1114710	Twist-Lok™ Extended Intermediate Shank Kit [Includes 12; 13; 14]	
		1111599	Fixed Rear High-Lift Kit [Includes 2 of 31; 2 of 32; 6 of 12]	
		1111598	Intermediate High-Lift Kit [Includes 2 of 30; 6 of 12]	
		1110387	Front Bow Stop Kit [Includes 29; 2 of 6]	
		1110395	Bridge Plate Kit [Includes 27; 2 of 28]	
		1115562	Windguard Kit [Includes 1; 6; 8; 9; 10]	
		1117556	Continuous Windguard Kit [Includes 2; 6; 8; 9; 10]	
	1	1115227	Windguard Arm Assembly* [Includes 3; 17; 2 of 18 & 21; 4 of 19]	
	2	1117526	Offset Windguard Arm Assembly* [Includes 3; 17; 2 of 18 & 21; 4 of 19]	
	3	1115097	Windguard Wheel Assembly* [Includes 20; 23; 24; 2 of 22]	
	4	1116882	Double Rear Bow Hardware* [Includes 2 of 6; 8; 9; 10; 14 & 22]	
	5	1110398	Windguard Shank Hardware* [Includes 8; 9; 10; 3 of 6]	
	6	1700400	Self-Tapping Screw - 3/8" x 1" (non-corrosive coating)	
	7	1116881	Rear Bow Stabilizer Bracket	
	8	1700428	Flat Washer - 5/16"	
	9	1700433	Lock Washer - 5/16"	
	10	1701420	Hex Head Cap Screw - 5/16" x 2"	
	11	1113324	Twist-Lok™ Intermediate Bow Shank	
	12	1701520	Screw/Rubber Washer Set - 3/4"	
	13	1113325	Twist-Lok™ Extended Intermediate Bow Shank	
	14	1114712	Twist-Lok™ Extended Windguard Bow Shank	
	15	1700398	Self-Drilling Screw - 1/4" x 3/4"	
	16	1107973	Bow Reinforcement Tube - 8-5/8"	
	17	1113876	Twist-Lok™ Windguard Bow Shank	
	18	1115094	Windguard Arm	
	19	1117202	Windguard Arm - Offset	
	20	1701580	Nylon Lock Nut - 3/8"	
	21	1701176	Flat Washer - 3/8" - SAE	
	22	1115095	Windguard Adjustment Plate	
	23	1702891	Hex Head Cap Screw - 3/8" x 1-1/4"	
	24	1702627	Flange Bearing - 1-1/8" OD x 1/2" Bore	
	25	1703279	Windguard Wheel	
	26	1703444	Button Head Cap Screw - 1/2" x 1-1/2"	
	27	1100749	Aluminum Side Mount Latchplate - 4'	
	28	1700802	Aluminum Side Mount Latchplate - 6'	
	29	1115367	Windguard Anchor	
	30	1108080	Bridge Plate	
	31	1701471	Self-Drilling Screw - #12 x 1"	
	32	1109151	Bow Stop	
		30	1111576	Fixed Rear High-Lift Weldment
		31	1111575	Fixed Rear High-Lift Weldment
		32	1701441	Cable Clamp

*Not shown in diagram.

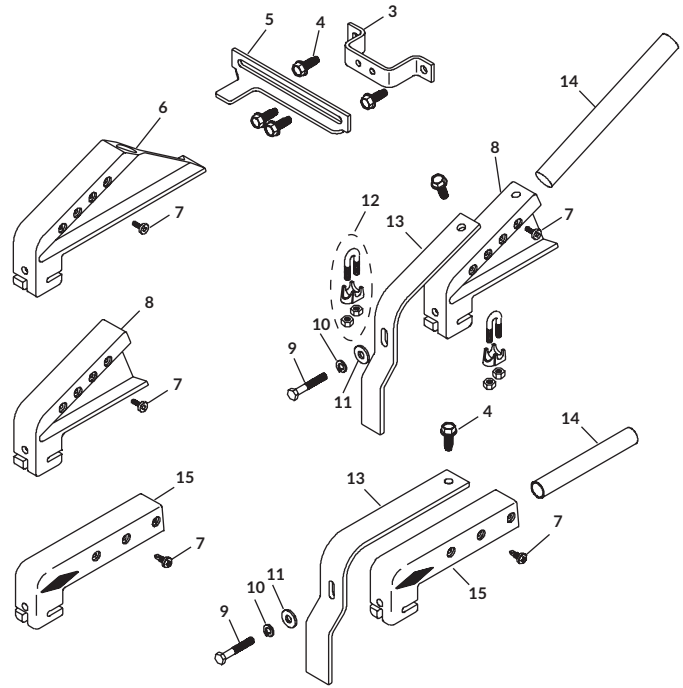
GENUINE CABLE SYSTEM REPLACEMENT PARTS

SHUR-TRAK II™ BOW SHANKS – ADJUSTABLE STOP KITS*

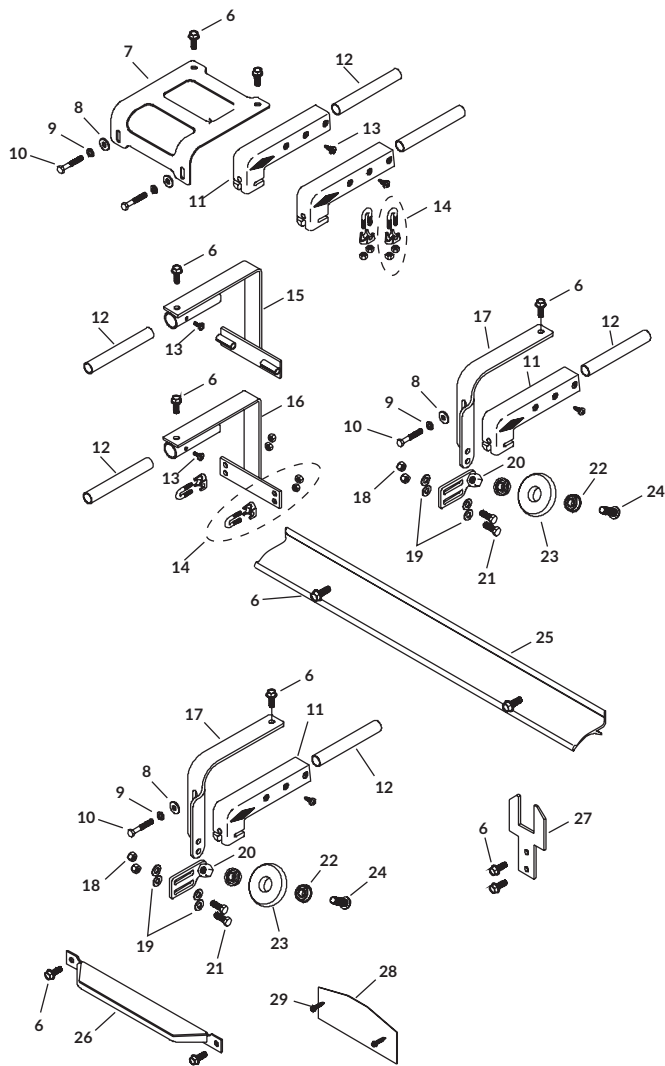
PRICE	ITEM	PART #	DESCRIPTION
		1116517	Twist-Lok™ Fixed Rear Shank Kit - Driver Side [Includes 1; 5; 8; 14]
		1116518	Twist-Lok™ Fixed Rear Shank Kit - Passenger Side [Includes 1; 5; 8; 14]
		1116519	Twist-Lok™ Extended Fixed Rear Shank Kit - Driver Side [Includes 1; 5; 6; 14]
		1116520	Twist-Lok™ Extended Fixed Rear Shank Kit - Passenger Side [Includes 1; 5; 6; 14]
		1116150	ShortStop™ Twist-Lok™ Fixed Rear Shank Kit - Driver Side [Includes 2; 5; 14; 15]
		1115933	ShortStop™ Twist-Lok™ Fixed Rear Shank Kit - Passenger Side [Includes 2; 5; 14; 15]
1	1116516		Fixed Shank Hardware Kit** [Includes 3; 7; 9; 10; 11; 13; 2 of 12; 5 of 4]
2	1116149		ShortStop™ Fixed Shank Hardware Kit** [Includes 3; 7; 9; 10; 11; 13; 2 of 12; 5 of 4]
3	1115929		ShortStop™ Adjustable Bracket Mount
4	1700400		Self-Tapping Screw - 3/8" x 1" (non-corrosive coating)
5	1115934		Adjustable Bow Stop - Right Side
	1115919		Adjustable Bow Stop - Left Side
6	1114712		Twist-Lok™ Extended Windguard Bow Shank
7	1700398		Self-Drilling Screw - 1/4" x 3/4"
8	1113876		Twist-Lok™ Windguard Bow Shank
9	1701420		Hex Head Cap Screw - 5/16" x 2"
10	1700433		Lock Washer - 5/16"
11	1700428		Flat Washer - 5/16"
12	1701441		Cable Clamp
13	1116377		Fixed Shank Support Bracket
	1115927		ShortStop™ Fixed Shank Support Bracket
14	1107973		Bow Reinforcement Tube - 8-5/8"
	1115490		Bow Reinforcement Tube - 6-1/2"
15	1703486		Twist-Lok™ ShortStop™ Bow Shank

*NOT compatible with rear bow stabilizer.

**Not shown in diagram.



SHUR-TRAK II™ BOW SHANKS – SHORTSTOP™



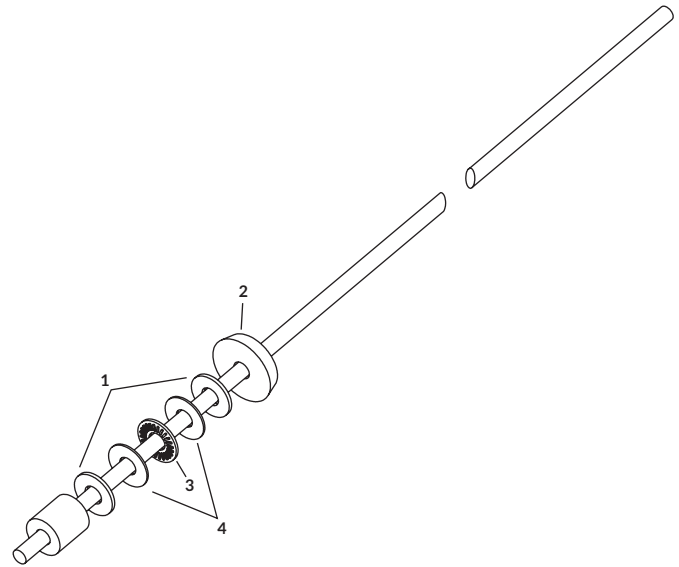
PRICE	ITEM	PART #	DESCRIPTION
		1116897	ShortStop™ Rear Bow Stabilizer Shank Kit [Includes 4; 7; 2 of 11 & 12]
		1115932	ShortStop™ Twist-Lok™ Windguard/Shank Kit [Includes 5; 11; 12]
		1116151	ShortStop™ Twist-Lok™ Intermediate Shank Kit [Includes 11; 13]
		1116152	ShortStop™ Twist-Lok™ Windguard/Shank Kit [Includes 1; 5; 11; 12; 26]
		1115532	High-Lift Fixed Rear Shank Kit [Includes 6; 12; 13; 16; 2 of 14]
		1115533	High-Lift Intermediate Shank Kit [Includes 6; 12; 13; 15]
		1110387	Front Bow Stop Kit [Includes 27; 2 of 6]
		1110395	Bridge Plate Kit [Includes 28; 2 of 29]
		1116156	ShortStop™ Windguard Kit [Includes 1; 6; 8; 9; 10]
		1117557	ShortStop™ Continuous Windguard Kit [Includes 2; 6; 8; 9; 10]
	1	1115931	ShortStop™ Windguard Arm Assembly* [Includes 3; 17; 2 of 18 & 21; 4 of 19]
	2	1117517	ShortStop™ Offset Windguard Arm Assembly* [Includes 3; 17; 2 of 18 & 21; 4 of 19]
	3	1115097	Windguard Wheel Assembly* [Includes 20; 23; 24; 2 of 22]
	4	1116882	Double Rear Bow Hardware Kit* [Includes 2 of 6; 20; 8; 9; 10; 13 & 14]
	5	1110398	Windguard Shank Hardware Kit* [Includes 8; 9; 10; 3 of 6]
	6	1700400	Self-Tapping Screw - 3/8" x 1" (non-corrosive coating)
	7	1116880	ShortStop™ Rear Bow Stabilizer Bracket
	8	1700428	Flat Washer - 5/16"
	9	1700433	Lock Washer - 5/16"
	10	1701420	Hex Head Cap Screw - 5/16" x 2"
	11	1703486	Twist-Lok™ ShortStop™ Bow Shank
	12	1115490	Bow Reinforcement Tube - 6-1/2"
	13	1700398	Self-Drilling Screw - 1/4" x 3/4"
	14	1701441	Cable Clamp
	15	1115475	High-Lift Windguard - Sliding
	16	1115476	High-Lift Windguard - Fixed
	17	1115928	ShortStop™ Windguard Arm
		1117515	ShortStop™ Windguard Arm - Offset
	18	1701580	Nylon Lock Nut - 3/8"
	19	1701176	Flat Washer - 3/8" - SAE
	20	1115095	Windguard Adjustment Plate
	21	1702891	Hex Head Cap Screw - 3/8" x 1-1/4"
	22	1702627	Flange Bearing - 1-1/8" OD x 1/2" Bore
	23	1703279	Windguard Wheel
	24	1703444	Button Head Cap Screw - 1/2 x 1-1/2"
	25	1100749	Aluminum Side Mount Latchplate - 4'
		1700802	Aluminum Side Mount Latchplate - 6'
	26	1115367	Windguard Anchor
	27	1109151	Bow Stop
	28	1108080	Bridge Plate
	29	1701471	Self-Drilling Screw - #12 x 1"

*Not shown in diagram.

GENUINE CABLE SYSTEM REPLACEMENT PARTS

SHUR-TRAK II™ CABLE ASSEMBLIES

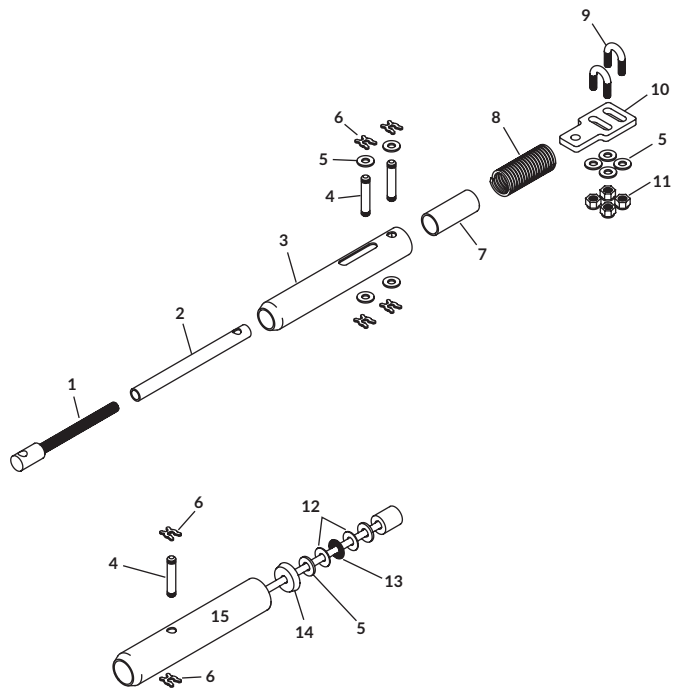
PRICE	ITEM	PART #	DESCRIPTION
GALVANIZED STEEL CABLES			
		1108022	Galvanized Cable* - 4 Bows - 29'4"
		1108023	Galvanized Cable* - 5 Bows - 35'2"
		1108024	Galvanized Cable* - 6 Bows - 41'
		1108025	Galvanized Cable* - 7 Bows - 46'10"
		1108026	Galvanized Cable* - 8 Bows - 52'8"
		1108027	Galvanized Cable* - 9 Bows - 58'6"
		1108028	Galvanized Cable* - 10 Bows - 64'4"
		1108029	Galvanized Cable* - 11 Bows - 70'2"
		1108030	Galvanized Cable* - 12 Bows - 76'
		1108031	Galvanized Cable* - 13 Bows - 81'10"
		1108032	Galvanized Cable* - 14 Bows - 87'8"
		1108033	Galvanized Cable* - 15 Bows - 93'6"
		1108034	Galvanized Cable* - 16 Bows - 99'4"
		1108035	Galvanized Cable* - 17 Bows - 105'2"
STAINLESS STEEL CABLES			
		1110442	Stainless Cable* - 4 Bows - 29'4"
		1110443	Stainless Cable* - 5 Bows - 35'2"
		1110444	Stainless Cable* - 6 Bows - 41'
		1110445	Stainless Cable* - 7 Bows - 46'10"
		1110446	Stainless Cable* - 8 Bows - 52'8"
		1110447	Stainless Cable* - 9 Bows - 58'6"
		1110448	Stainless Cable* - 10 Bows - 64'4"
		1110449	Stainless Cable* - 11 Bows - 70'2"
		1110450	Stainless Cable* - 12 Bows - 76'
		1110451	Stainless Cable* - 13 Bows - 81'10"
		1110452	Stainless Cable* - 14 Bows - 87'8"
		1110453	Stainless Cable* - 15 Bows - 93'6"
		1110454	Stainless Cable* - 16 Bows - 99'4"
		1110455	Stainless Cable* - 17 Bows - 105'2"
HARDWARE			
		1114636	Tension Scale Replacement Hardware [Includes 2; 3; 2 of 1 & 4 - Does NOT Include Cable]
	1	1700427	Flat Washer - 1/4"
	2	1107952	Outer Housing Washer
	3	1703277	Thrust Bearing
	4	1703278	Thrust Washer



*Includes hardware; two (2) bows in rear bow stabilizer are counted as one (1).

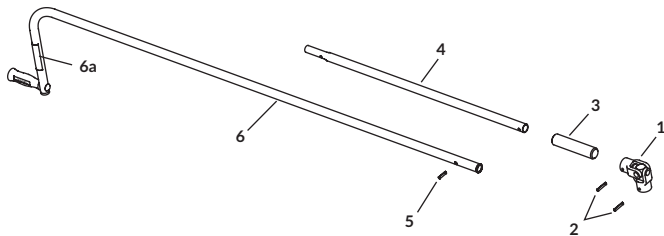
SHUR-TRAK II™ CABLE TENSION SCALES

PRICE	ITEM	PART #	DESCRIPTION
		1107990	Cable Tension Scale Kit* [Includes 1; 2; 3; 7; 8; 10; 15; 2 of 9; 3 of 4; 4 of 11; 6 of 6; 8 of 5]
		1114636	Tension Scale Replacement Hardware [Includes 13; 14; 2 of 5 & 12 - Does NOT Include Cable]
		1108001	Cable Tension Scale Hardware Kit [Includes 4; 2 of 6 & 9; 4 of 5 & 11]
	1	1107953	Scale Adjustment Rod
	2	1107949	Scale Spring Guide
	3	1107947	Scale Spring Housing
	4	1701442	Headless Pin - 1.325"
	5	1700427	Flat Washer - 1/4"
	6	1701440	Crimp Ring Retainer - 5/16"
	7	1107948	Spring Housing Stop
	8	1701444	Die Spring - 3"
	9	1701470	U-Bolt - 5/16"
	10	1107956	Cable Scale End
	11	1700419	Nylon Lock Hex Nut - 5/16"
	12	1703278	Thrust Washer
	13	1703277	Thrust Bearing
	14	1107952	Outer Housing Washer
	15	1107951	Tension Scale Outer Housing



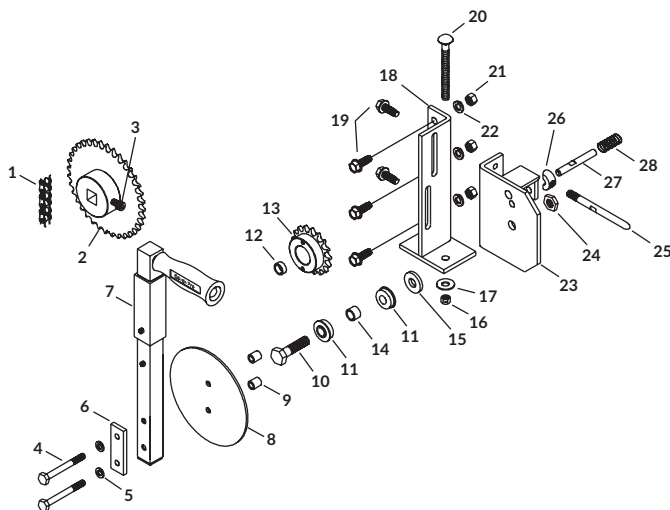
*Hardware NOT included; cable purchased separately.

SHUR-TRAK II™ CRANK ARMS



PRICE	ITEM	PART #	DESCRIPTION
		1107994	Crank Arm w/U-Joint - 83" [Incl. 1; 3; 5; 6; 2 of 2]
		1108063	Crank Arm w/U-Joint - 114" [Incl. 1; 3; 4; 5; 6; 2 of 2]
		1113341	Crank Arm Hardware Kit [Includes 1; 3; 2 of 2 & 5]
	1	1700527	Econo U-Joint
	2	1700445	Spring Pin - 1/4" x 1-1/2"
	3	1107984	Slide Handle
	4	1107838	Square Crank Extension - 33"
	5	1701118	Spring Pin - 1/4" x 1-3/16"
	6	1107993	Crank Arm w/o U-Joint - 83"
		1111383	Crank Arm w/o U-Joint - 114"
	6a	1100362	Operating Decal

SHUR-TRAK II™ CRANK DRIVES

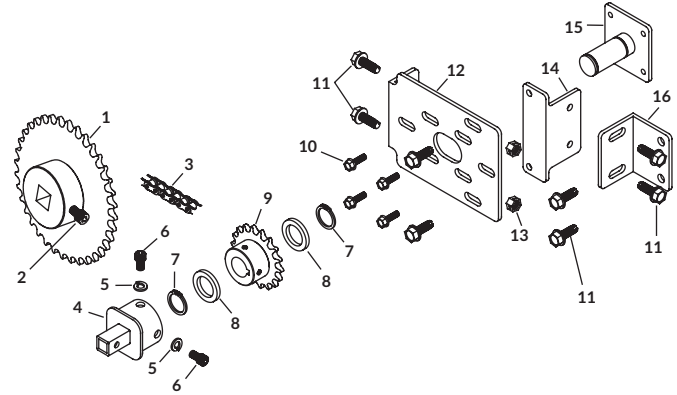


PRICE	ITEM	PART #	DESCRIPTION
			Manual Chain Drive Crank Kit [Includes 1; 2; 3; 6; 7; 8; 10; 12; 13; 15; 16; 17; 18; 20; 23; 24; 25; 26; 27; 28; 2 of 4, 5, 9 & 11; 3 of 21 & 22; 5 of 19]
		1110654	Sprocket Kit w/Bearings [Includes 10; 12; 13; 15; 24; 2 of 11]
		1110646	Pulley Kit w/Bearings [Includes 10; 14; 15; 24; 2 of 11]
		1108973	Manual Crank Hardware Kit [Includes 3; 3 of 19, 21 & 22]
	1	1109179	Roller Chain Assembly - 14'
	2	1701515	Sprocket w/Hub - 36 Tooth
	3	1701493	Soc Head Cap Screw - 5/16" x 1-1/2"
	4	1702629	Hex Head Cap Screw - 5/16" x 3"
	5	1700433	Lock Washer - 5/16"
	6	1108909	Handle Stiffener
	7	1108929	Crank Handle
	8	1110159	Crank Guard
	9	1108917	Guard Spacer
	10	1701042	Hex Head Cap Screw - 1/2" x 2"
	11	1702627	Flange Bearing - 1 1/8" OD x 1/2" Bore
	12	1110648	Sprocket Spacer
	13	1110640	Sprocket
	14	1110649	Pulley Spacer
	15	1701269	Flat Washer - 1/2"
	16	1700418	Centerlock Hex Nut - 3/8"
	17	1700429	Flat Washer - 3/8"
	18	1108924	Crank Mounting Bracket
	19	1700400	Self-Tapping Screw - Non Corrosive Coating - 3/8" x 1"
	20	1702080	Carriage Bolt - 3/8" x 4" - GR5
	21	1700407	Hex Nut - 3/8"
	22	1700434	Lock Washer - 3/8"
	23	1108925	Crank Adjustable Bracket
	24	1701145	Nylon Lock Hex Nut - 1/2"
	25	1108918	Manual Locking Pin
	26	1108921	Crank Cam Lobe
	27	1108919	Locking Pin - 3/8" x 2-13/16"
	28	1702084	Compression Spring - 1-1/4"

GENUINE CABLE SYSTEM REPLACEMENT PARTS

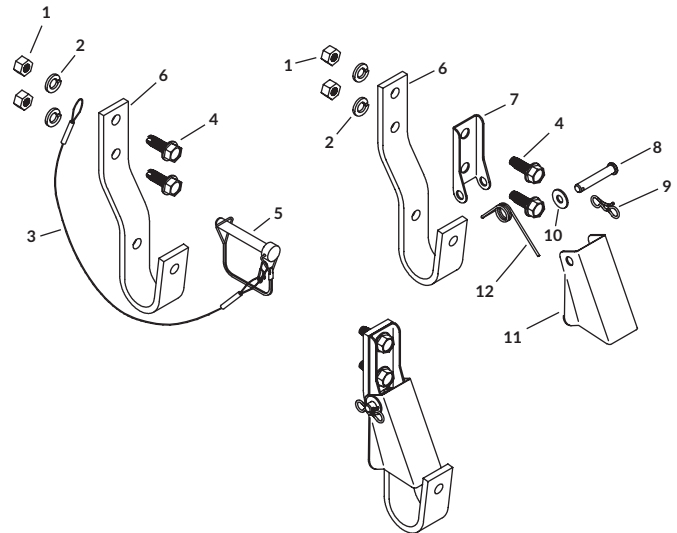
SHUR-TRAK II™ CRANK REDUCERS

PRICE	ITEM	PART #	DESCRIPTION
		1108119	Crank Reducer Kit [Includes 1; 2; 3; 4; 9; 12; 14; 15; 16; 2 of 5, 6, 7, 8 & 13; 4 of 10; 8 of 11]
		1108131	Crank Reducer Hardware Kit [Includes 2; 3; 16; 2 of 13; 4 of 11]
	1	1701515	Sprocket w/Hub - 36 Tooth
	2	1701493	Soc Head Cap Screw - 5/16" x 1-1/2"
	3	1108132	Roller Chain - 32"
	4	1108128	Crank Reducer Collar
	5	1700433	Lock Washer - 5/16"
	6	1701407	Soc Head Cap Screw - 5/16" x 1-1/2"
	7	1701060	External Retaining Ring - 1"
	8	1106453	Spacer Washer
	9	1108130	Sprocket w/Collar - 18 Tooth
	10	1701059	Self-Tapping Screw - 5/16" x 1"
	11	1700400	Self-Tapping Screw - Non Corrosive Coating - 3/8" x 1"
	12	1108089	Universal Motor Mount Plate
	13	1700418	Centerlock Hex Nut - 3/8"
	14	1108122	Crank Reducer Adjustment Plate
	15	1108125	Crank Reducer Shaft Weldment
	16	1108121	Crank Reducer Base Plate

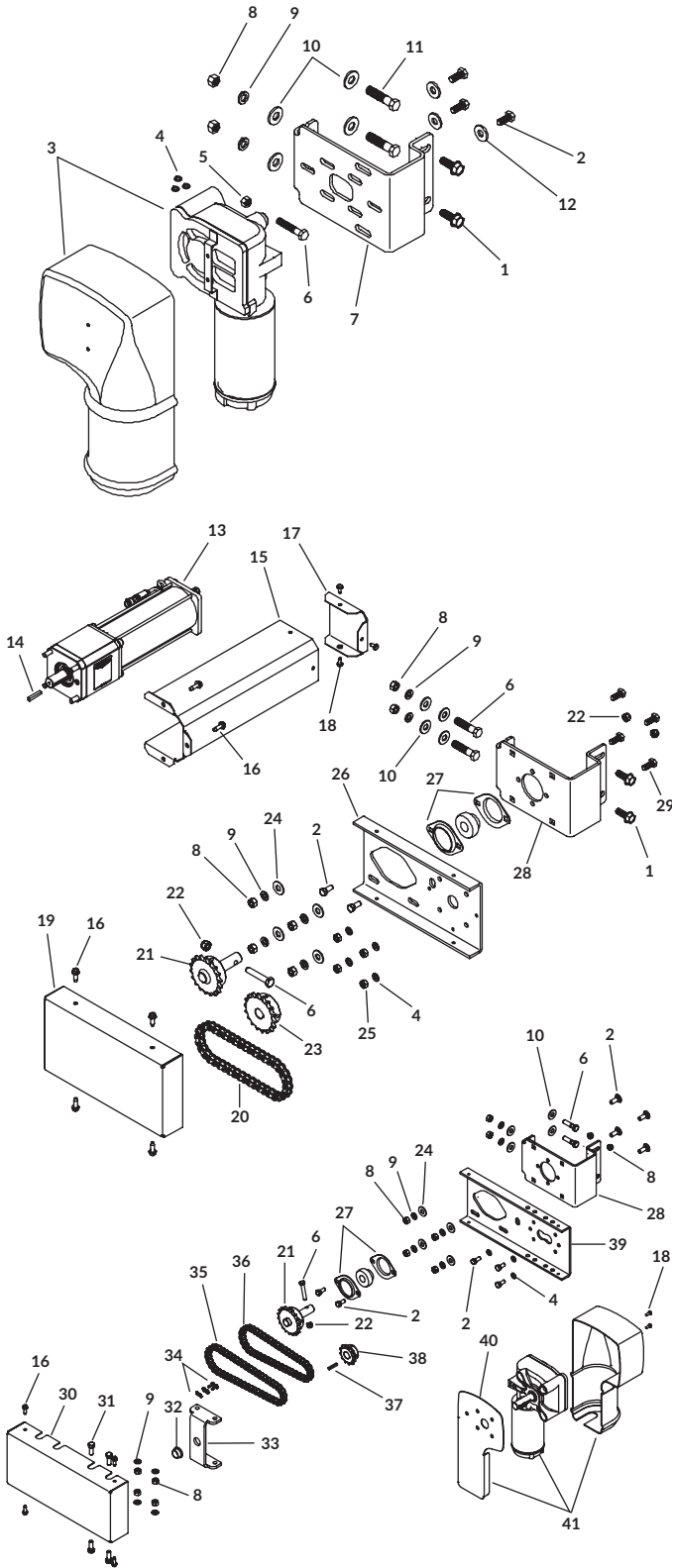


SHUR-TRAK II™ CRANK RETAINERS

PRICE	ITEM	PART #	DESCRIPTION
		1101929	Offset Retainer Kit [Includes 3; 5; 6; 2 of 1, 2 & 4]
		1114603	Offset Pinless Crank Retainer Kit [Includes 6; 7; 8; 9; 10; 11; 12; 2 of 1, 2 & 4]
		1114602	Offset Pinless Crank Retainer Conversion Kit [Includes 7; 8; 9; 10; 11; 12; 2 of 1, 2 & 4]
	1	1700407	Hex Nut - 3/8"
	2	1700434	Lock Washer - 3/8"
	3	1100574	Cable w/#5 Interlock Snap
	4	1700400	Self-Tapping Screw - Non Corrosive Coating - 3/8" x 1"
	5	1700526	Wire Lock Pin - 3/8" x 2-1/2"
	6	1101930	Offset J-Hook Crank Retainer
	7	1114599	Offset Pinless Crank Retainer Base Plate
	8	1703133	Clevis Pin - 5/16" x 1-3/4"
	9	1704380	Bowtie Cotter Pin - 1-3/8"
	10	1700427	Flat Washer - 1/4"
	11	1114600	Offset Pinless Crank Retainer Lock
	12	1703134	Tension Spring



SHUR-TRAK II™ ELECTRICS



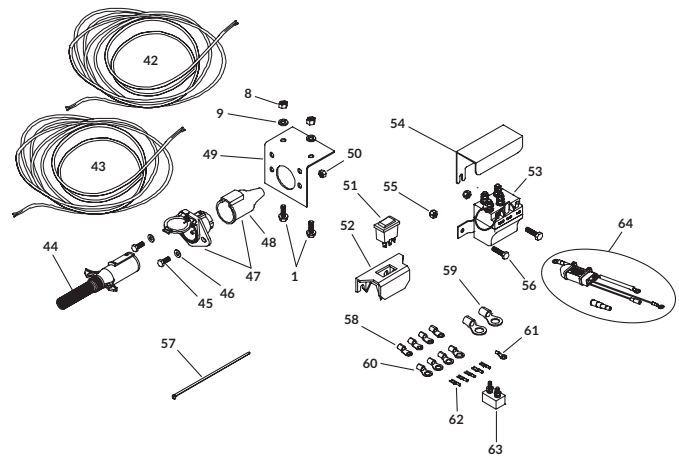
PRICE	ITEM	PART #	DESCRIPTION
			DURABUILT™ OPTIONS - For Systems Up to 25'
	1111526		Durabuilt™ Electric Drive Kit - Side Mount - 50' [Includes 3; 5; 6; 7; 42; 44; 45; 47; 48; 49; 51; 58; 60; 2 of 1, 11, 46, 50, 52, 53 & 56; 3 of 4; 4 of 8, 9, 10 & 55; 5 of 2 & 59; 6 of 57; 9 of 12; 30 of 54]
	1110340		Durabuilt™ Electric Drive Kit - Side Mount - 75' [Includes same components as P/N 1111526 above]
	1	1700400	Self-Tapping Screw - Non Corrosive Coating - 3/8" x 1"
	2	1701045	Hex Head Cap Screw - 5/16" x 3/4"
	3	1121307	Durabuilt™ Motor w/Cover - 2-1/8" Shaft
	4	1700433	Lock Washer - 5/16"
	5	1702492	Top Lock Hex Nut - 5/16"
	6	1701468	Hex Head Cap Screw - 5/16" x 1-3/4"
	7	1117518	Side Mount Motor Mount Plate
	8	1700407	Hex Nut - 3/8"
	9	1700434	Lock Washer - 3/8"
	10	1701176	Flat Washer - 3/8" SAE
	11	1701434	Hex Head Cap Screw - 3/8" x 1-1/2"
	12	1700428	Flat Washer - 5/16"
			HEAVY-DUTY CHAIN DRIVE OPTIONS
	1122856		HD Electric Chain Drive Kit - 50' [Includes 13; 14; 15; 17; 19; 20; 21; 23; 26; 27; 28; 42; 43; 44; 45; 47; 48; 49; 51; 54; 58; 60; 2 of 1, 8, 9, 11, 46, 50, 52 & 53; 3 of 18 & 22; 4 of 2, 4, 25 & 29; 5 of 59; 6 of 8, 9 & 57; 7 of 16 & 55; 8 of 24; 15 of 21]
	1122857		HD Electric Chain Drive Kit - 75' [Includes same components as P/N 1122856 above]
	1122858		HD Electric Chain Drive Kit - 100' [Includes same components as P/N 1122856 above]
	1122948		HD Motor Conversion Kit [Includes 6; 13; 14; 15; 17; 19; 20; 21; 26; 27; 2 of 2 & 11; 3 of 18 & 22; 4 of 4, 25 & 29; 6 of 8 & 9; 7 of 16; 8 of 24; 15 of 54]
	1122387		Side Mount Hardware Kit [Includes 6; 14; 15; 17; 19; 20; 21; 23; 26; 27; 28; 34; 2 of 2 & 11; 3 of 18 & 22; 4 of 4, 25 & 29; 6 of 8 & 9; 7 of 16; 9 of 24]
	13	1122442	HD Electric Motor
	14	1120762	Square Key - 3/16" x 3/16" x 1-1/4"
	15	1122383	HD Motor Cover
	16	1700403	Self-Tapping Screw - 1/4" x 3/4"
	17	1122384	HD Motor Cover Cap
	18	1704308	Flanged Cap Screw - #10 x 1/2"
	19	1122382	Chain Drive Cover
	20	1122385	Roller Chain Assembly - 20-1/2"
	21	1122379	Chain Drive Adapter Shaft
	22	1700419	Nylon Lock Hex Nut - 5/16"
	23	1122377	Sprocket - T18-40 - 3/4" Bore
	24	1700429	Flat Washer - 3/8"
	25	1700411	Hex Nut - 5/16"
	26	1122381	Adjustable Mounting Bracket
	27	1703374	Radial Ball Bearing w/Flanges
	28	1122380	Chain Drive Bracket
	29	1705051	Carriage Bolt - 3/8" x 1" - GR5
			DURABUILT™ CHAIN DRIVE OPTIONS
	1125691		Durabuilt™ Electric Chain Drive Kit - 50' [Includes 6; 21; 27; 28; 30; 32; 33; 35; 36; 37; 38; 39; 40; 41; 42; 43; 44; 45; 47; 48; 49; 51; 58; 60; 2 of 1, 11, 46, 50, 52, 53 & 56; 3 of 4 & 22; 4 of 16, 29, 31 & 55; 5 of 59; 6 of 57; 7 of 2; 8 of 24; 12 of 8 & 9; 15 of 54]
	1125692		Durabuilt™ Electric Chain Drive Kit - 75' [Includes same components as P/N 1125691 above]
	1125693		Durabuilt™ Electric Chain Drive Kit - 100' [Includes same components as P/N 1125691 above]
	30	1125688	Chain Drive Cover
	31	1701061	Hex Head Cap Screw - 3/8" x 1"
	32	1704811	Flange Bearing - 3/4"
	33	1125687	Motor Shaft Support Bracket
	34	1701057	Chain Connector Link
	35	1115383	Roller Chain Assembly - 21-1/2"
	36	1122562	Roller Chain Assembly - 23-3/4"
	37	1125699	Square Key - 3/16" x 3/16" x 1-1/8"
	38	1125684	Sprocket - T12-40 - 3/4" Bore
	39	1125686	Adjustable Mounting Bracket
	40	1125689	Motor Cover Plate - Backside
	41	1125700	Durabuilt™ Motor w/Cover - 2-3/8" Shaft

Continued on next page

GENUINE CABLE SYSTEM REPLACEMENT PARTS

SHUR-TRAK II™ ELECTRICS Continued

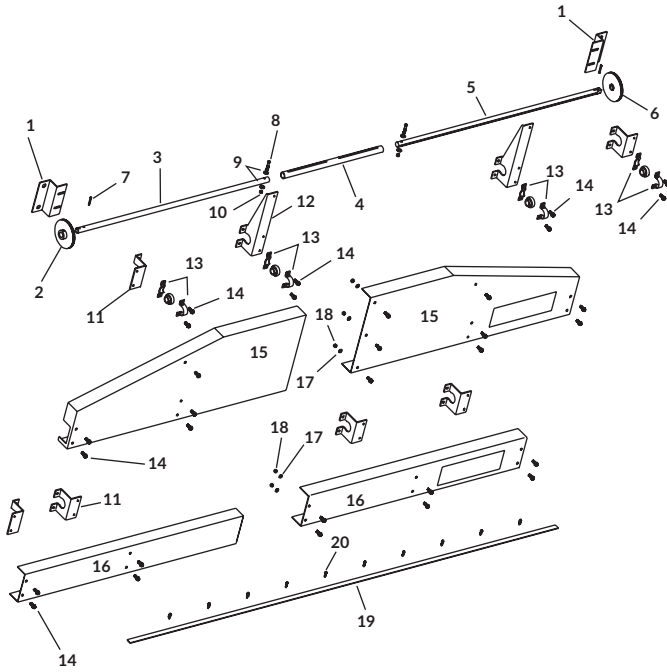
PRICE	ITEM	PART #	DESCRIPTION
CAB WIRING KITS/DUAL CONDUCTOR KITS			
	1116473		Cab Wiring Kit - 40-Amp - Rocker - 20' [Includes 42; 43; 44; 51; 52; 53; 54; 61; 63; 2 of 55, 56 & 59; 4 of 58; 5 of 62; 6 of 60; 15 of 57]
	1128926		Cab Wiring Kit - 80 Amp SMART Circuit Breaker - Rocker - 20' [Includes 42; 43; 44; 51; 52; 53; 54; 61; 63; 64; 2 of 55, 56 & 59; 4 of 58; 5 of 62; 6 of 60; 15 of 57]
	1120109		Cab Wiring Kit - 40-Amp - Rocker - 30' [Includes 42; 43; 44; 51; 52; 53; 54; 61; 63; 2 of 55, 56 & 59; 4 of 58; 5 of 62; 6 of 60; 15 of 57]
	1128928		Cab Wiring Kit - 80 Amp SMART Circuit Breaker - Rocker - 30' [Includes 42; 43; 44; 51; 52; 53; 54; 61; 63; 64; 2 of 55, 56 & 59; 4 of 58; 5 of 62; 6 of 60; 15 of 57]
	1121526		Cab Wiring Kit - 50-Amp - Rocker - 20' [Includes 42; 43; 44; 51; 52; 53; 54; 61; 63; 2 of 55, 56 & 59; 4 of 58; 5 of 62; 6 of 60; 15 of 57]
	1122940		Cab Wiring Kit - 50-Amp - Rocker - 30' [Includes 42; 43; 44; 51; 52; 53; 54; 61; 63; 2 of 55, 56 & 59; 4 of 58; 5 of 62; 6 of 60; 15 of 57]
	1118368		Electrical Parts Kit w/Rocker Switch - 40-Amp Mod.* [Includes 51; 52; 53; 54; 61; 63; 2 of 55, 56 & 59; 4 of 58; 5 of 62; 6 of 60]
	1116271		Electrical Parts Kit w/Rocker Switch - 50-Amp Mod.** [Includes 51; 52; 53; 54; 61; 63; 2 of 55, 56 & 59; 4 of 58; 5 of 62; 6 of 60]
	1128925		Electrical Parts Kit w/Rocker Switch - 80 Amp SMART Circuit Breaker [Includes 51; 52; 53; 54; 61; 63; 64; 2 of 55, 56 & 59; 4 of 58; 5 of 62; 6 of 60]
	1109016		Two-Pole Connector w/Hardware - Vertical Pin [Includes 44; 47; 49; 57; 2 of 1, 2, 8, 9, 46 & 50]
	1123050		Two-Pole Connector w/Hardware - Horizontal Pin [Includes 44; 47; 49; 57; 2 of 1, 2, 8, 9, 46 & 50]
42	1119078		Dual-Conductor Wire - 6 Ga. - 20'
	1118495		Dual-Conductor Wire - 6 Ga. - 30'
	1110312		Dual-Conductor Wire - 6 Ga. - 50'
	1108102		Dual-Conductor Wire - 6 Ga. - 75'
	1108101		Dual-Conductor Wire - 6 Ga. - 100'
43	1116482		Electrical Wire - 14 Ga. Lead - 15'
44	1115385		Heavy-Duty Dual-Conductor Plug - Vertical Pin
	1704715		Heavy-Duty Dual-Conductor Plug - Horizontal Pin
45	1700381		Hex Head Cap Screw - 1/4" x 1"
46	1700427		Flat Washer - 1/4"
47	1119557		HD Dual-Conductor Metal Socket w/Boot - Vertical Pin
	1125758		HD Dual-Conductor Socket w/Boot - Horizontal Pin
48	1704573		Sealing Boot - Dual-Conductor Socket Half
49	1109015		Conductor Plug Mounting Bracket
50	1704946		Flanged Top Lock Nut - 5/16"
51	1116020		Rocker Switch
52	1703661		Rocker Switch Mounting Bracket
53	1703845		Motor-Reversing Solenoid
54	1703896		Solenoid Cover
55	1701543		Nylon Lock Hex Nut - #10
56	1704905		Flanged Cap Screw - #10 x 1"
57	1703231		Cable Tie - 8"
58	1703245		Ring Terminal - 6 Ga. x #10 Stud - Motor/Breaker
59	1703244		Ring Terminal - 6 Ga. x 3/8" Stud - Battery
60	1702707		Ring Terminal - 6 Ga. x 1/4" Stud - Motor/Solenoid
61	1704153		Ring Terminal - 14 Ga. x 1/4" Stud - Solenoid
62	1703659		Push-On Terminal - 14 Ga. - 1/4" - Switch/Solenoid
63	1704354		40-Amp Modified-Reset Circuit Breaker*
	1703480		50-Amp Auto-Reset Circuit Breaker**
64	1126784		80-Amp Smart Circuit Breaker Kit



*Used with HD electric drive kits.

**Used with Durabuilt™ electric drive kits.

SHUR-TRAK II™ FRONT COVERS - ADJUSTABLE DRIVES

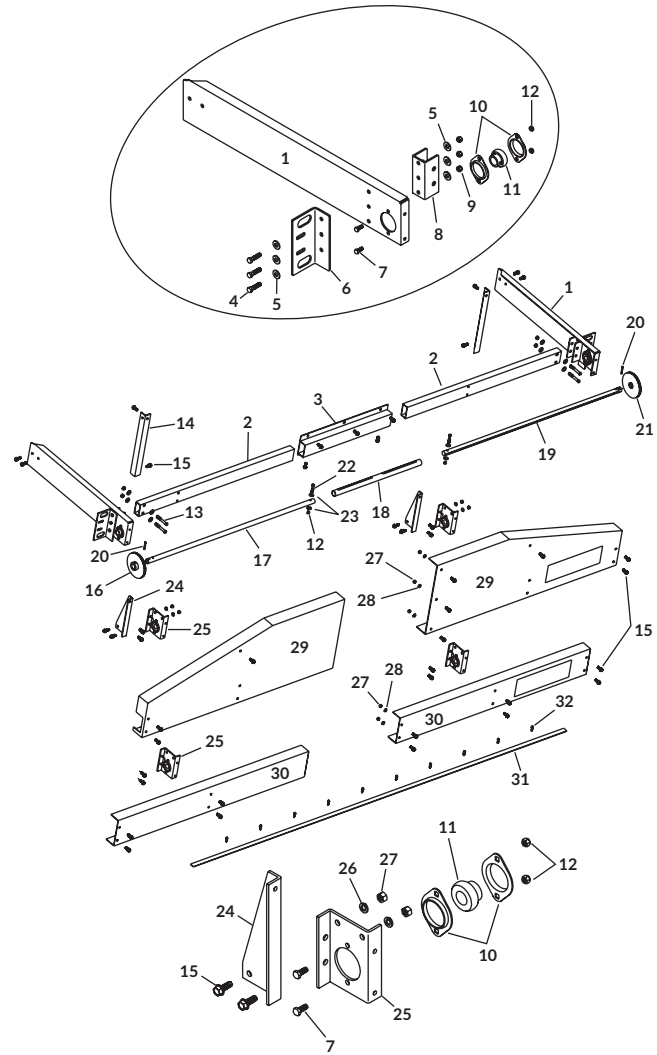


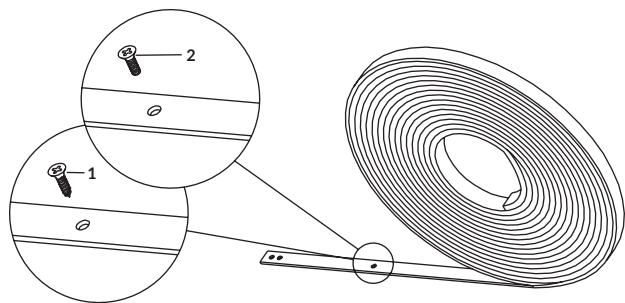
PRICE	ITEM	PART #	DESCRIPTION
		1115144	Adjustable Drive Kit [Includes 2; 3; 4; 5; 6; 19; 2 of 1, 7, 8 & 10; 4 of 9 & 13; 8 of 14; 10 of 20]
		1117551	Adjustable Drive Kit - Narrow [Includes 2; 3; 4; 5; 6; 19; 2 of 1, 7, 8 & 10; 4 of 9 & 13; 8 of 14; 10 of 20]
		1115222	Adjustable Drive Assembly - 4 Bearing [Includes 2; 3; 5; 6; 2 of 7, 8 & 10; 4 of 9 & 13]
		1115148	Front Cover Kit - 12" Rise [Includes 15; 3 of 17 & 18; 13 of 14]
		1115147	Front Cover Kit - Flat [Includes 2 of 16, 17 & 18; 10 of 14]
		1117555	Front Cover Kit - Flat - Narrow [Includes 2 of 16, 17 & 18; 10 of 14]
		1115141	Front Cover Brace Kit - 12" Rise [Includes 2 of 11 & 12; 4 of 14]
		1115142	Front Cover Brace Kit - Flat [Includes 4 of 11 & 14]
		1115139	Front Cover Hardware Kit - 12" Rise [Includes 3 of 17 & 18; 13 of 14]
		1115138	Front Cover Hardware Kit - Flat [Includes 2 of 17 & 18; 10 of 14]
	1	1107991	Adjustable Drive Cable Guard
	2	1705323	Drive Pulley
	3	1107974	Drive Head Shaft w/o Keyway
		1117520	Drive Head Shaft w/o Keyway - Narrow
	4	1124941	Head Shaft Coupling
	5	1703348	Drive Head Shaft w/Keyway
	6	1701446	Pulley
	7	1701360	Spring Pin - 1/4" x 1-3/4"
	8	1701468	Hex Head Cap Screw - 5/16" x 1-3/4"
	9	1700428	Flat Washer - 5/16"
	10	1700419	Nylon Lock Hex Nut - 5/16"
	11	1115128	Adjustable Drive Bracket - Short
	12	1115129	Adjustable Drive Bracket - Tall
	13	1701447	Pillow Block Bearing - 1"
	14	1700400	Self-Tapping Screw - Non Corrosive Coating - 3/8" x 1"
	15	1117679	Front Cover Set - 12" Rise
	16	1115064	Front Cover - Passenger Side - Flat
		1117549	Front Cover - Flat Narrow - Passenger Side
		1115124	Front Cover - Driver Side - Flat
	17	1700429	Flat Washer - 3/8"
	18	1700407	Hex Nut - 3/8"
	19	1700581	Aluminum Flat Bar - 103"
	20	1701471	Self-Drilling Screw - #12 x 1"

GENUINE CABLE SYSTEM REPLACEMENT PARTS

SHUR-TRAK II™ FRONT COVERS - UNIVERSAL LANDINGS

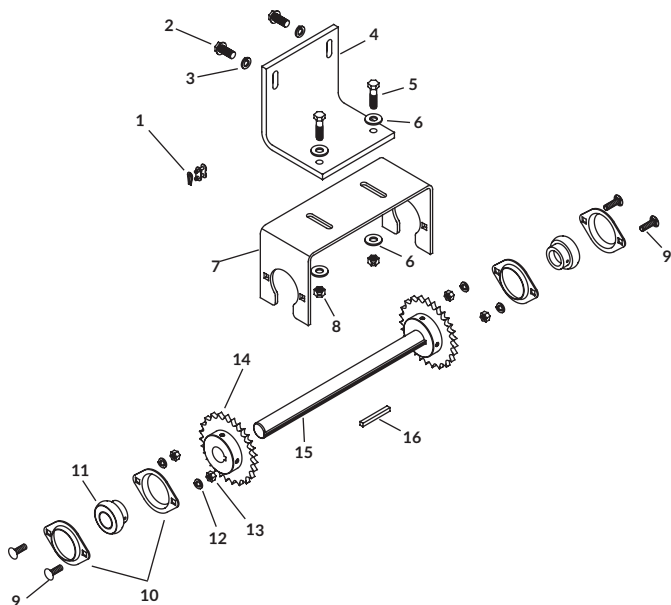
PRICE	ITEM	PART #	DESCRIPTION
			Universal Landing Kit [Includes 11; 16; 17; 18; 19; 3 of 11; 4 of 7, 13, 15 & 23; 6 of 4, 5, 12 & 27; 10 of 9 & 32; 11 of 15; 20 of 5]
		1117522	Universal Landing Kit - Narrow [Includes 11; 16; 17; 18; 19; 21; 25; 31; 2 of 1, 2, 6, 7, 8, 10, 12, 20 & 22; 3 of 11; 4 of 7, 13, 15 & 23; 6 of 4, 5, 12 & 27; 10 of 9 & 32; 11 of 15; 20 of 5]
		1108055	Brace Kit - Belly Dump (2) [Includes 2 of 14; 4 of 15]
		1115140	Universal Landing High Brace Assembly [Includes 2 of 24; 4 of 15, 26 & 27]
		1115148	Front Cover Kit - 12" Rise [Includes 29; 3 of 27 & 28; 13 of 15]
		1115147	Front Cover Kit - Flat [Includes 2 of 27, 28 & 30; 10 of 15]
		1117555	Front Cover Kit - Narrow [Includes 2 of 27, 28 & 30; 10 of 15]
		1108037	Universal Landing Hardware Kit [Includes 6 of 5 & 33; 10 of 32; 11 of 15]
		1115139	Front Cover Hardware Kit - 12" Rise [Includes 3 of 27 & 28; 13 of 15]
		1115138	Front Cover Hardware Kit - Flat [Includes 2 of 27 & 28; 10 of 15]
		1115056	Landing Arm Assembly - Pass. Side [Includes 1; 6; 8; 11; 2 of 7, 10 & 12; 3 of 4 & 9; 6 of 5]
		1115055	Landing Arm Assembly - Driver Side [Includes 1; 6; 8; 11; 2 of 7, 10 & 12; 3 of 4 & 9; 6 of 5]
		1115132	Universal Landing - Short Brace Assembly [Includes 11; 25; 2 of 7, 10 & 12]
	1	1115049	Landing Arm - Passenger Side
		1115048	Landing Arm - Driver Side
	2	1115050	Landing Cross Tube
		1117519	Landing Cross Tube - Narrow
	3	1115065	Center Landing
	4	1701434	Hex Head Cap Screw - 3/8" x 1-1/2"
	5	1701176	Flat Washer - 3/8" - SAE
	6	1115053	Front Cable Guard - Driver Side
		1115054	Front Cable Guard - Passenger Side
	7	1701045	Hex Head Cap Screw - 5/16" x 3/4"
	8	1115051	Landing Cross Tube Channel
	9	1701580	Nylon Lock Nut - 3/8"
	10	1701054	Bearing Flange - 52MM - 2 Bolt
	11	1705450	Radial Ball Bearing - 1.003" ID x 2-3/64" OD
	12	1700419	Nylon Lock Hex Nut - 5/16"
	13	1700371	Hex Head Cap Screw - 3/8" x 3"
	14	1108047	Landing Brace
	15	1700400	Self-Tapping Screw - Non Corrosive Coating - 3/8" x 1"
	16	1705323	Drive Pulley
	17	1107974	Drive Head Shaft w/o Keyway
		1117520	Drive Head Shaft w/o Keyway - Narrow
	18	1124941	Head Shaft Coupling
	19	1703348	Drive Head Shaft w/Keyway
	20	1701360	Spring Pin - 1/4" x 1-3/4"
	21	1701446	Pulley
	22	1701468	Hex Head Cap Screw - 5/16" x 1-3/4"
	23	1700428	Flat Washer - 5/16"
	24	1115059	Universal Landing - 12" Rise Brace
	25	1115057	Universal Landing - Short Brace
	26	1700434	Lock Washer - 3/8"
	27	1700407	Hex Nut - 3/8"
	28	1700429	Flat Washer - 3/8"
	29	1117679	Front Cover Set - 12" Rise
	30	1115064	Front Cover - Passenger Side - Flat
		1117549	Front Cover - Passenger Side - Flat Narrow
		1115124	Front Cover - Driver Side - Flat
	31	1700581	Aluminum Flat Bar - 103"
	32	1701471	Self-Drilling Screw - #12 x 1"





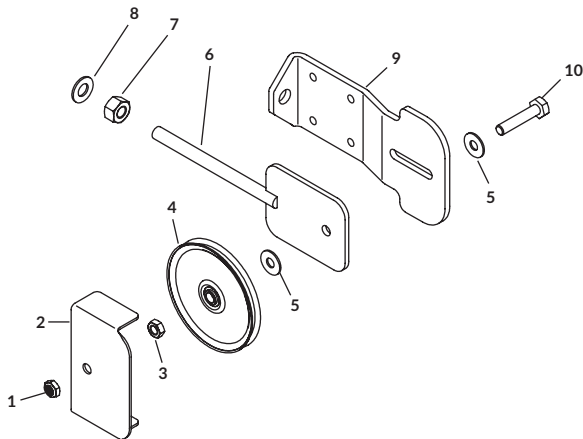
SHUR-TRAK II™ GLIDE STRIPS

PRICE	ITEM	PART #	DESCRIPTION
		1110967	UHMW Glide Strip Kit - 18'
		1110968	UHMW Glide Strip Kit - 24'
		1110969	UHMW Glide Strip Kit - 30'
		1110970	UHMW Glide Strip Kit - 40'
		1110981	UHMW Glide Strip Kit - 48'
	1	1702111	Wood Screw - 1"
	2	1702461	Self-Tapping Screw - 1/4" x 3/4"



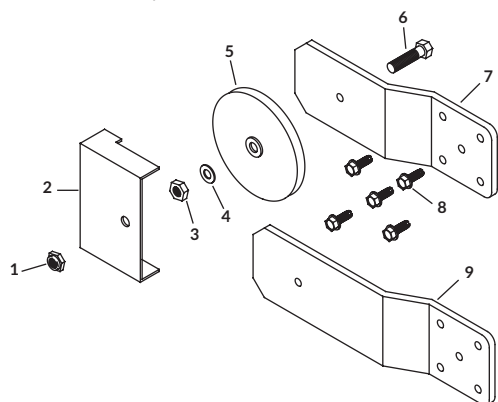
SHUR-TRAK II™ JACK SHAFTS

PRICE	ITEM	PART #	DESCRIPTION
		1110733	Jack Shaft Kit [Includes 1; 4; 7; 14; 15; 16; 2 of 2, 3, 5, 8 & 11; 4 of 6, 9, 10, 12 & 13]
	1	1701057	Chain Connector Link
	2	1700400	Self-Tapping Screw - Non Corrosive Coating - 3/8" x 1"
	3	1700434	Lock Washer - 3/8"
	4	1110719	Jack Shaft Bracket
	5	1701434	Hex Head Cap Screw - 3/8" x 1-1/2"
	6	1700429	Flat Washer - 3/8"
	7	1110720	Shaft Base Plate Bracket
	8	1700418	Centerlock Hex Nut - 3/8"
	9	1701522	Carriage Bolt - 5/16" x 1" - GR2
	10	1701054	Bearing Flange - 52MM - 2 Bolt
	11	1705450	Radial Ball Bearing - 1.003" ID x 2-3/64" OD
	12	1700433	Lock Washer - 5/16"
	13	1700411	Hex Nut - 5/16"
	14	1110724	Sprocket w/Hub - 27 Tooth
	15	1110721	Sprocket w/Shaft
	16	1701588	Square Key - 1/4" x 1/4" x 2-1/4"



SHUR-TRAK II™ ADJUSTABLE REAR PULLEYS

PRICE	ITEM	PART #	DESCRIPTION
		1126377	Adjustable Rear Pulley Kit [Includes 1; 2; 3; 4; 6; 7; 8; 9; 10; 2 of 5]
		1107711	Mounting Hardware
	1	1701145	Nylon Lock Hex Nut - 1/2"
	2	1117242	Adjustable Rear Pulley Guard
	3	1700413	Jam Nut - 1/2"
	4	1701445	Pulley - 5-5/8"
	5	1700430	Flat Washer - 7/16"
	6	1117245	Rear Pulley Take-Up Plate
	7	1700410	Hex Nut - 5/8"
	8	1201342	Flat Washer - 5/8"
	9	1125911	Adjustable Rear Pulley Bracket
	10	1704041	Hex Head Cap Screw - 1/2" x 2-1/2"



SHUR-TRAK II™ REAR PULLEYS

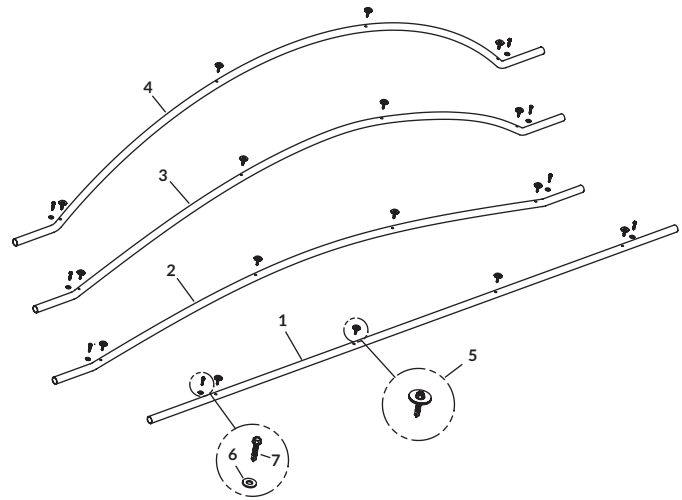
PRICE	ITEM	PART #	DESCRIPTION
		1110384	Rear Pulley Kit [Includes 1; 2; 3; 4; 5; 6; 7; 5 of 8]
		1110709	Extended Rear Pulley Kit [Includes 1; 2; 3; 4; 5; 6; 9; 5 of 8]
		1110385	Rear Pulley Hardware Kit [Includes 1; 5 of 8]
	1	1701145	Nylon Lock Hex Nut - 1/2"
	2	1107971	Rear Pulley Guard
	3	1700413	Jam Nut - 1/2"
	4	1700430	Flat Washer - 7/16"
	5	1701445	Pulley - 5-5/8"
	6	1701042	Hex Head Cap Screw - 1/2" x 2"
	7	1107957	Rear Pulley Mounting Bracket
	8	1700400	Self-Tapping Screw - Non Corrosive Coating - 3/8" x 1"
	9	1109000	Extended Rear Pulley Bracket

GENUINE CABLE SYSTEM REPLACEMENT PARTS

COVER-PRO II® BOW ASSEMBLIES

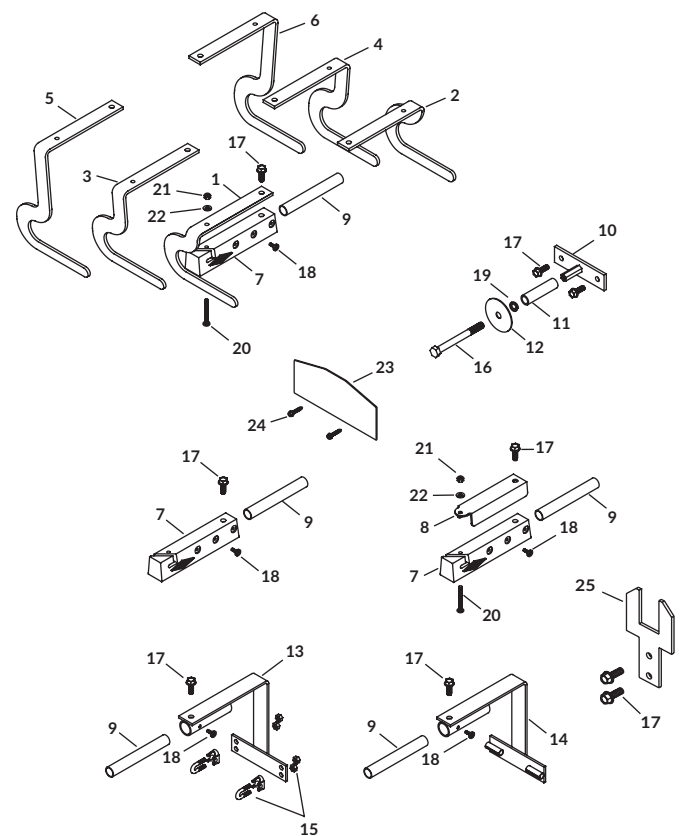
PRICE	ITEM	PART #	DESCRIPTION
	1	1116089	Bow Kit* - Flat - 92"
		1116093	Bow Kit* - Flat - 96"
		1116097	Bow Kit* - Flat - 102"
	2	1116086	Bow Kit* - 6" Rise - 92"
		1116090	Bow Kit* - 6" Rise - 96"
		1116094	Bow Kit* - 6" Rise - 102"
	3	1116087	Bow Kit* - 12" Rise - 92"
		1116091	Bow Kit* - 12" Rise - 96"
		1116095	Bow Kit* - 12" Rise - 102"
	4	1116088	Bow Kit* - 18" Rise - 92"
		1116092	Bow Kit* - 18" Rise - 96"
		1116096	Bow Kit* - 18" Rise - 102"
	5	1701520	Screw w/Rubber Washer - 3/4"
	6	1700427	Flat Washer - 1/4"
	7	1701471	Self-Drilling Screw - #12 x 1"

*Includes hardware to attach tarp to bow.

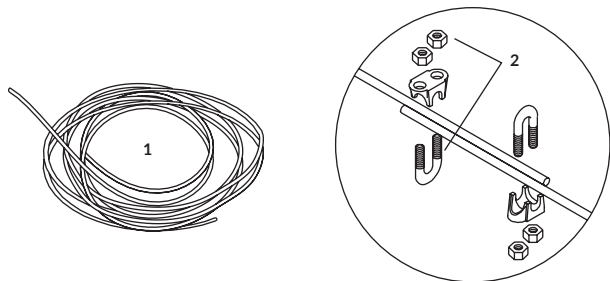


COVER-PRO II® BOW SHANKS/WINDGUARDS

PRICE	ITEM	PART #	DESCRIPTION
		1115532	High-Lift Fixed Rear Shank Kit [Includes 9; 13; 17; 18; 2 of 15]
		1115533	High-Lift Intermediate Shank Kit [Includes 9; 14; 17; 18]
		1115529	Twist-Lok™ Windguard Shank Kit [Includes 7; 9; 17; 20; 21; 22]
		1115543	Twist-Lok™ Fixed Rear Shank Kit [Includes 7; 8; 9; 17; 20; 21; 22; 2 of 15]
		1115536	Windguard Anchor Kit [Includes 10; 11; 12; 16; 19; 2 of 17]
		1116141	Twist-Lok™ Intermediate Shank Kit [Includes 7; 18]
		1116146	Twist-Lok™ Windguard/Shank Kit - Driver Side - 4" [Includes 1; 7; 9; 17; 20; 21; 22]
		1116147	Twist-Lok™ Windguard/Shank Kit - Passenger Side - 4" [Includes 2; 7; 9; 17; 20; 21; 22]
		1116144	Twist-Lok™ Windguard/Shank Kit - Driver Side - 6" [Includes 3; 7; 9; 17; 20; 21; 22]
		1116145	Twist-Lok™ Windguard/Shank Kit - Passenger Side - 6" [Includes 4; 7; 9; 17; 20; 21; 22]
		1116142	Twist-Lok™ Windguard/Shank Kit - Driver Side - 8" [Includes 5; 7; 9; 17; 20; 21; 22]
		1116143	Twist-Lok™ Windguard/Shank Kit - Passenger Side - 8" [Includes 6; 7; 9; 17; 20; 21; 22]
		1110387	Front Bow Stop Kit [Includes 25; 2 of 17]
		1110395	Bridge Plate Kit [Includes 23; 2 of 24]
	1	1115468	Hook Windguard - Driver Side - 4"
	2	1115467	Hook Windguard - Passenger Side - 4"
	3	1115470	Hook Windguard - Driver Side - 6"
	4	1115469	Hook Windguard - Passenger Side - 6"
	5	1115472	Hook Windguard - Driver Side - 8"
	6	1115471	Hook Windguard - Passenger Side - 8"
	7	1114019	Twist-Lok™ Bow Shank
	8	1115491	Fixed Bow Shank Reinforcement
	9	1115490	Bow Reinforcement Tube - 6-1/2"
	10	1115466	Windguard Anchor
	11	1115492	Windguard Catch Tube
	12	1109393	Windguard Anchor Washer
	13	1115476	High-Lift Windguard - Fixed
	14	1115475	High-Lift Windguard - Sliding
	15	1701441	Cable Clamp
	16	1702113	Hex Head Cap Screw - 1/2" x 5"
	17	1700400	Self-Tapping Screw - Non Corrosive Coating - 3/8" x 1"
	18	1700398	Self-Drilling Screw - 1/4" x 3/4"
	19	1700437	Lock Washer - 1/2"
	20	1703430	Pan Head Cap Screw - 1/4" x 2 1/4"
	21	1701543	Nylon Lock Hex Nut - 1/4"
	22	1700427	Flat Washer - 1/4"
	23	1108080	Bridge Plate
	24	1701471	Self-Drilling Screw - #12 x 1"
	25	1109151	Bow Stop

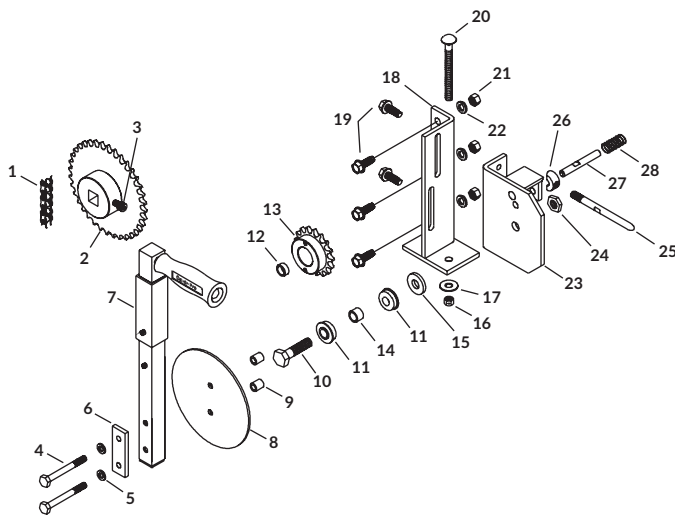


COVER-PRO II® CABLE ASSEMBLIES

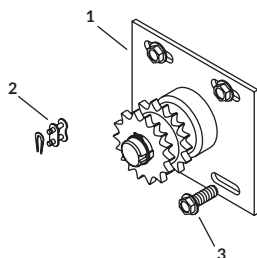


PRICE	ITEM	PART #	DESCRIPTION
	1	1701464	Galvanized Steel Cable (per foot)
		1702568	Stainless Steel Cable (per foot)
	2	1701441	Cable Clamp

COVER-PRO II® CRANK DRIVES



PRICE	ITEM	PART #	DESCRIPTION
			Manual Crank Chain Drive Kit [Includes 1; 2; 3; 6; 7; 8; 9; 10; 12; 13; 15; 16; 17; 18; 20; 23; 24; 25; 26; 27; 28; 2 of 4, 5 & 11; 3 of 21 & 22; 5 of 19]
		1110654	Sprocket Kit w/Bearings [Includes 10; 12; 13; 15; 24; 2 of 11]
		1110646	Pulley Kit w/Bearings [Includes 10; 14; 15; 24; 2 of 11]
	1	1109179	Roller Chain Assembly - 14'
	2	1702098	Sprocket - 42 Tooth
	3	1701493	Soc Head Cap Screw - 5/16" x 1-1/2"
	4	1702629	Hex Head Cap Screw - 5/16" x 3"
	5	1700433	Lock Washer - 5/16"
	6	1108909	Handle Stiffener
	7	1108929	Crank Handle
	8	1110159	Crank Guard
	9	1108917	Guard Spacer
	10	1701042	Hex Head Cap Screw - 1/2" x 2"
	11	1702627	Flange Bearing - 1-1/8" OD x 1/2" Bore
	12	1110648	Sprocket Spacer
	13	1110640	Sprocket
	14	1110649	Pulley Spacer
	15	1701269	Flat Washer - 1/2"
	16	1700418	Centerlock Hex Nut - 3/8"
	17	1700429	Flat Washer - 3/8"
	18	1108924	Crank Mounting Bracket
	19	1700400	Self-Tapping Screw - Non Corrosive Coating - 3/8" x 1"
	20	1702080	Carriage Bolt - 3/8" x 4" - GR5
	21	1700407	Hex Nut - 3/8"
	22	1700434	Lock Washer - 3/8"
	23	1108925	Crank Adjustable Bracket
	24	1701145	Nylon Lock Hex Nut - 1/2"
	25	1108918	Manual Locking Pin
	26	1108921	Crank Cam Lobe
	27	1108919	Locking Pin - 3/8" x 2-13/16"
	28	1702084	Compression Spring - 1-1/4"



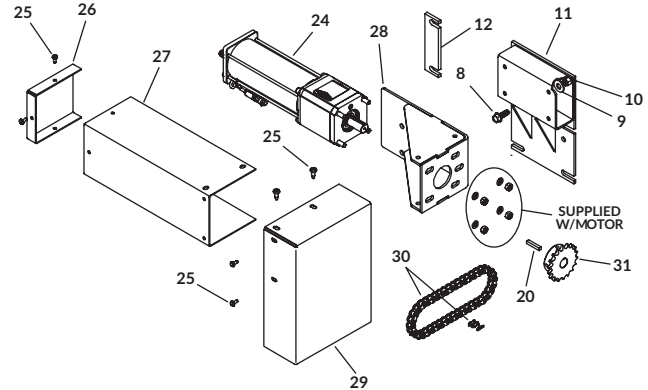
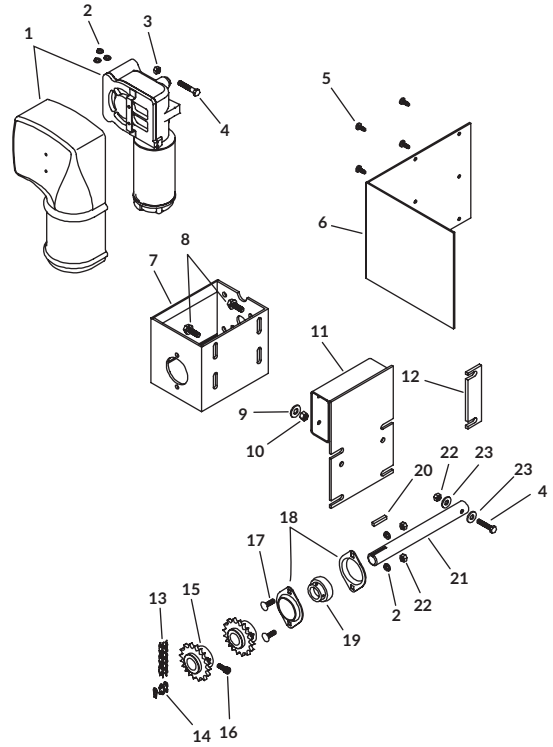
COVER-PRO II® DOUBLE IDLERS

PRICE	ITEM	PART #	DESCRIPTION
	1	1110072	Double Idler w/Chain Kit
	2	1701057	Chain Connector Link
	3	1700400	Self-Tapping Screw - Non Corrosive Coating - 3/8" x 1"

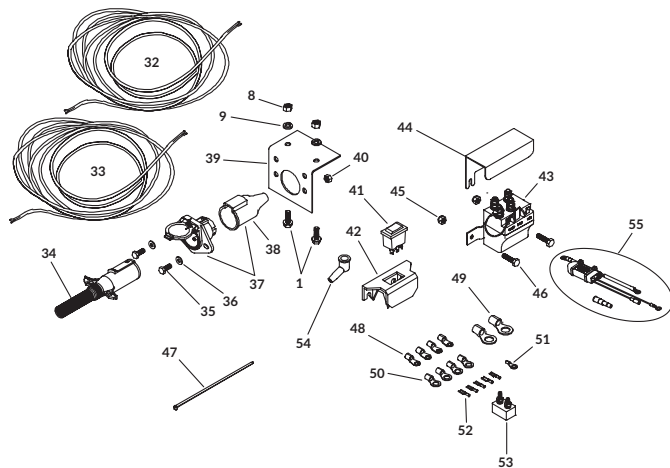
GENUINE CABLE SYSTEM REPLACEMENT PARTS

COVER-PRO II® ELECTRICS

PRICE	ITEM	PART #	DESCRIPTION
DURABUILT™ OPTIONS - For Systems Up to 25'			
	1111529		Durabuilt™ Electric Drive Kit - 50' [Includes 1; 3; 4; 6; 7; 11; 13; 16; 19; 20; 21; 32; 33; 34; 37; 39; 41; 42; 43; 44; 51; 53; 2 of 9, 12, 15, 17, 18, 36, 40, 45, 46 & 49; 4 of 5, 10 & 48; 5 of 2, 23, 35 & 52; 6 of 8 & 50; 31 of 47]
	1110342		Durabuilt™ Electric Drive Kit - 75' [Includes 1; 3; 4; 6; 7; 11; 13; 16; 19; 20; 21; 32; 33; 34; 37; 39; 41; 42; 43; 44; 51; 53; 2 of 9, 12, 15, 17, 18, 36, 40, 45, 46 & 49; 4 of 5, 10 & 48; 5 of 2, 23, 35 & 52; 6 of 8 & 50; 31 of 47]
	1	1121307	Durabuilt™ Motor w/Cover - 2-1/8" Shaft
	2	1700433	Lock Washer - 5/16"
	3	1702492	Top Lock Hex Nut - 5/16"
	4	1701468	Hex Head Cap Screw - 5/16" x 1-3/4"
	5	1700398	Self-Drilling Screw - 1/4" x 3/4"
	6	1109443	Motor Mount Cover Plate
	7	1109452	Motor Mount
	8	1700400	Self-Tapping Screw - Non Corrosive Coating - 3/8" x 1"
	9	1700429	Flat Washer - 3/8"
	10	1700407	Hex Nut - 3/8"
	11	1109449	Motor Mount Base Plate
	12	1109444	Motor Mount Shim
	13	1109456	Roller Chain Assembly - 22-3/4"
	14	1701057	Chain Connector Link
	15	1106619	Sprocket - T1 18-40 - 1" Bore
	16	1701493	Soc Head Cap Screw - 5/16" x 1-1/2"
	17	1701522	Carriage Bolt - 5/16" x 1" - GR2
	18	1701054	Bearing Flange - 52MM - 2 Bolt
	19	1705450	Radial Ball Bearing - 1.003" ID x 2-3/64" OD
	20	1701056	Square Key - 1/4" x 1/4" x 1-3/8"
	21	1109445	Motor Mount Shaft
	22	1700411	Hex Nut - 5/16"
	23	1700428	Flat Washer - 5/16"
HEAVY-DUTY OPTIONS			
	1122574		HD Electric Drive Kit - 50' [Includes 11; 20; 24; 26; 27; 28; 29; 30; 31; 32; 33; 34; 37; 39; 41; 42; 43; 44; 51; 53; 2 of 5, 10, 12, 35, 36, 40, 45, 46 & 49; 4 of 48; 5 of 25 & 52; 6 of 8 & 50; 31 of 47]
	1122575		HD Electric Drive Kit - 75' [Includes 11; 20; 24; 26; 27; 28; 29; 30; 31; 32; 33; 34; 37; 39; 41; 42; 43; 44; 51; 53; 2 of 5, 10, 12, 35, 36, 40, 45, 46 & 49; 4 of 48; 5 of 25 & 52; 6 of 8 & 50; 31 of 47]
	1122576		HD Electric Drive Kit - 100' [Includes 11; 20; 24; 26; 27; 28; 29; 30; 31; 32; 33; 34; 37; 39; 41; 42; 43; 44; 51; 53; 2 of 5, 10, 12, 35, 36, 40, 45, 46 & 49; 4 of 48; 5 of 25 & 52; 6 of 8 & 50; 31 of 47]
	1122949		HD Electric Motor Conversion Kit [Includes 11; 19; 20; 24; 26; 27; 28; 30; 31; 2 of 5 & 12; 4 of 8; 5 of 25; 30 of 47]
	24	1122442	HD Electric Motor
	25	1704308	Flange Cap Screw - #10 x 1/2"
	26	1122565	Motor Cover Cap
	27	1122564	HD Motor Cover
	28	1122559	HD Motor Mount Bracket
	29	1122566	Sprocket Cover
	30	1122562	Roller Chain Assembly - 23-3/4"
	31	1122377	Sprocket - T18-40 - 3/4" Bore"



Continued on next page



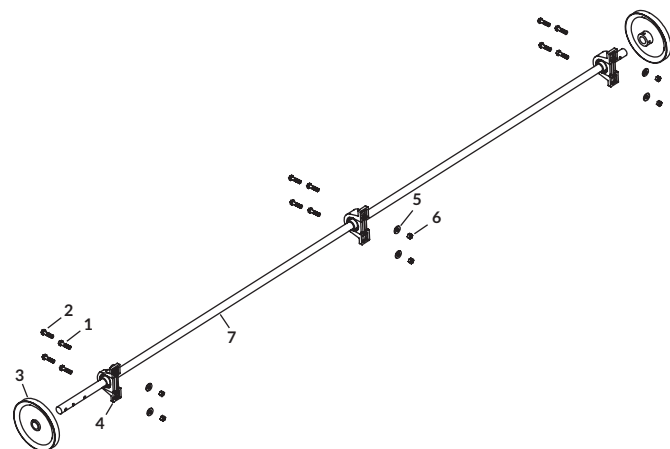
COVER-PRO II® ELECTRICALS Continued

PRICE	ITEM	PART #	DESCRIPTION
ELECTRIC COMPONENTS			
			Cab Wiring Kit - 40-Amp - Rocker - 20' [Includes
	1116473	32; 33; 34; 41; 42; 43; 44; 51; 53; 2 of 45, 46 & 49; 4 of 48; 5 of 52; 6 of 50; 15 of 47]	
	1128926	Cab Wiring Kit - 80 Amp SMART Circuit Breaker - Rocker - 20' [Includes 32; 33; 34; 41; 42; 43; 44; 51; 53; 55; 2 of 45, 46 & 49; 4 of 48; 5 of 52; 6 of 50; 15 of 47]	
	1120109	Cab Wiring Kit - 40-Amp - Rocker - 30' [Includes 32; 33; 34; 41; 42; 43; 44; 51; 53; 2 of 45, 46 & 49; 4 of 48; 5 of 52; 6 of 50; 15 of 47]	
	1128928	Cab Wiring Kit - 80 Amp SMART Circuit Breaker - Rocker - 30' [Includes 32; 33; 34; 41; 42; 43; 44; 51; 53; 55; 2 of 45, 46 & 49; 4 of 48; 5 of 52; 6 of 50; 15 of 47]	
	1121526	Cab Wiring Kit - 50-Amp - Rocker - 20' [Includes 32; 33; 34; 41; 42; 43; 44; 51; 53; 2 of 45, 46 & 49; 4 of 48; 5 of 52; 6 of 50; 15 of 47]	
	1122940	Cab Wiring Kit - 50-Amp - Rocker - 30' [Includes 32; 33; 34; 41; 42; 43; 44; 51; 53; 2 of 45, 46 & 49; 4 of 48; 5 of 52; 6 of 50; 15 of 47]	
	1118368	Electrical Parts Kit w/Rocker Switch - 40-Amp Mod.* [Includes 41; 42; 43; 44; 51; 53; 2 of 45, 46 & 49; 4 of 48; 5 of 52; 6 of 50]	
	1116271	Electrical Parts Kit w/Rocker Switch - 50-Amp Mod.** [Includes 41; 42; 43; 44; 51; 53; 2 of 45, 46 & 49; 4 of 48; 5 of 52; 6 of 50]	
	1128925	Electrical Parts Kit w/Rocker Switch - 80 Amp SMART Circuit Breaker [Includes 41; 42; 43; 44; 51; 53; 55; 2 of 45, 46 & 49; 4 of 48; 5 of 52; 6 of 50]	
	1109016	Two-Pole Connector w/Hardware - Vertical Pin [Includes 34; 37; 39; 54; 2 of 8, 10, 40 & 47]	
	1123050	Two-Pole Connector w/Hardware - Horizontal Pin [Includes 34; 37; 39; 54; 2 of 8, 10, 40 & 47]	
	32	1110312	Dual-Conductor Wire - 6 Ga. - 50'
		1108102	Dual-Conductor Wire - 6 Ga. - 75'
		1108101	Dual-Conductor Wire - 6 Ga. - 100'
	33	1116482	Electrical Wire - 14 Ga. Lead - 15'
	34	1115385	Heavy-Duty Dual-Conductor Plug - Vertical Pin
		1704715	Heavy-Duty Dual-Conductor Plug - Horizontal Pin
	35	1701045	Hex Head Cap Screw - 5/16" x 3/4"
	36	1700427	Flat Washer - 1/4"
	37	1119557	HD Dual-Conductor Metal Socket w/Boot - Vertical Pin
		1125758	HD Dual-Conductor Socket w/Boot - Horizontal Pin
	38	1704573	Sealing Boot - Dual-Conductor Socket Half
	39	1109015	Conductor Plug Mounting Bracket
	40	1704946	Flanged Top Lock Nut - 5/16"
	41	1116020	Rocker Switch
	42	1703661	Rocker Switch Mounting Bracket
	43	1703845	Motor-Reversing Solenoid
	44	1703896	Solenoid Cover
	45	1701543	Nylon Lock Hex Nut - #10
	46	1704905	Flanged Cap Screw - #10 x 1"
	47	1703231	Cable Tie - 8"
	48	1703245	Ring Terminal - 6 Ga. x #10 Stud - Motor/Breaker
	49	1703244	Ring Terminal - 6 Ga. x 3/8" Stud - Battery
	50	1702707	Ring Terminal - 6 Ga. x 1/4" Stud - Motor/Solenoid
	51	1704153	Ring Terminal - 14 Ga. x 1/4" Stud - Solenoid
	52	1703659	Push-On Terminal - 14 Ga. x 1/4" - Switch/Solenoid
	53	1704354	40-Amp Modified-Reset Circuit Breaker*
		1703480	50-Amp Auto-Reset Circuit Breaker**
	54	1704330	Rubber Insulating Boot
	55	1126784	80- Amp Smart Circuit Breaker Kit

*Used with HD electric drive kits.

**Used with Durabuilt™ electric drive kits.

COVER-PRO II® FRONT DRIVES

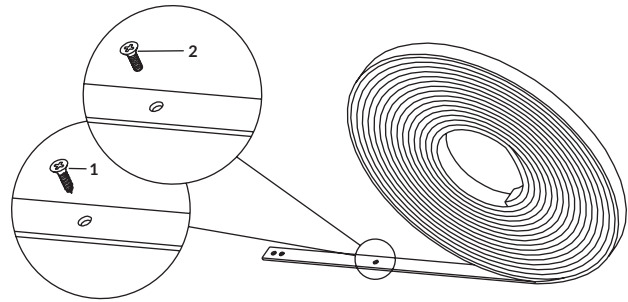


PRICE	ITEM	PART #	DESCRIPTION
			Front Drive Kit - 92" Series
	1110917	[Includes 7; 2 of 3; 3 of 4; 6 of 1, 2, 5 & 6]	
			Front Drive Kit - 96" Series
	1110918	[Includes 7; 2 of 3; 3 of 4; 6 of 1, 2, 5 & 6]	
			Front Drive Kit - 102" Series
	1110919	[Includes 7; 2 of 3; 3 of 4; 6 of 1, 2, 5 & 6]	
	1	1701434	Hex Head Cap Screw - 3/8" x 1-1/2"
	2	1700400	Self-Tapping Screw - Non Corrosive Coating - 3/8" x 1"
	3	1702096	Pulley w/Hub - 7"
	4	1702095	Greasable Pillow Block Bearing - 1"
	5	1701176	Flat Washer - 3/8"
	6	1700418	Centerlock Hex Nut - 3/8"
	7	1109305	Head Shaft - 92" Series
		1109304	Head Shaft - 96" Series
		1109303	Head Shaft - 102" Series

GENUINE CABLE SYSTEM REPLACEMENT PARTS

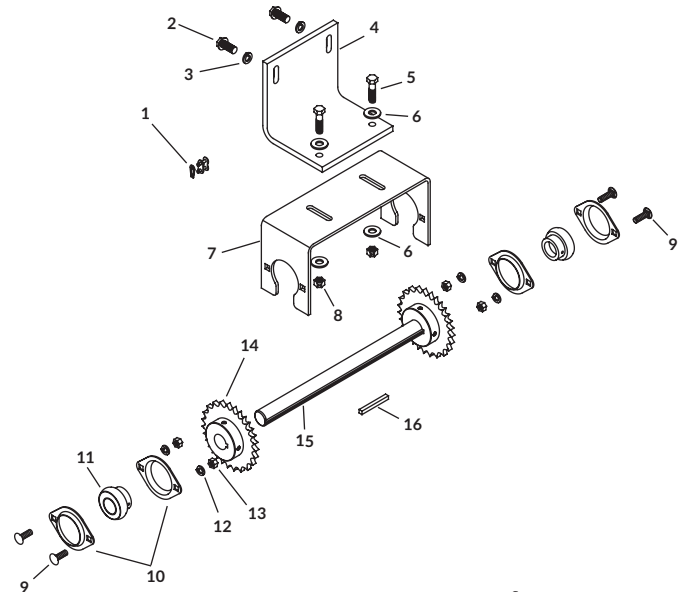
COVER-PRO II® GLIDE STRIPS

PRICE	ITEM	PART #	DESCRIPTION
		1110967	UHMW Glide Strip Kit - 18'
		1110968	UHMW Glide Strip Kit - 24'
		1110969	UHMW Glide Strip Kit - 30'
		1110970	UHMW Glide Strip Kit - 40'
		1110981	UHMW Glide Strip Kit - 48'
	1	1702111	Wood Screw - 1"
	2	1702461	Self-Tapping Screw - 1/4" x 3/4"



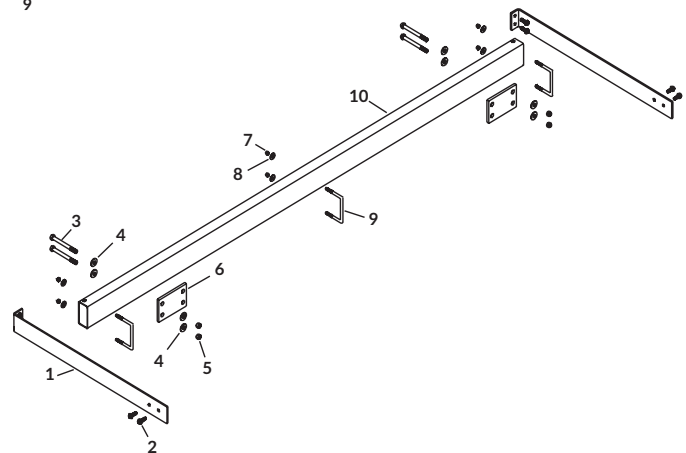
COVER-PRO II® JACK SHAFTS

PRICE	ITEM	PART #	DESCRIPTION
		1110733	Jack Shaft Kit [Includes 1; 4; 7; 14; 15; 16; 2 of 2, 3, 5, 8 & 11; 4 of 6, 9, 10, 12 & 13]
	1	1701057	Chain Connector Link
	2	1700400	Self-Tapping Screw - Non Corrosive Coating - 3/8" x 1"
	3	1700434	Lock Washer - 3/8"
	4	1110719	Jack Shaft Bracket
	5	1701434	Hex Head Cap Screw - 3/8" x 1-1/2"
	6	1700429	Flat Washer - 3/8"
	7	1110720	Shaft Base Plate Bracket
	8	1700418	Centerlock Hex Nut - 3/8"
	9	1701522	Carriage Bolt - 5/16" x 1" - GR2
	10	1701054	Bearing Flange - 52MM - 2 Bolt
	11	1705450	Radial Ball Bearing - 1.003" ID x 2-3/64" OD
	12	1700433	Lock Washer - 5/16"
	13	1700411	Hex Nut - 5/16"
	14	1110724	Sprocket w/Hub - 27 Tooth
	15	1110721	Sprocket w/Shaft
	16	1701588	Square Key - 1/4" x 1/4" x 2-1/4"

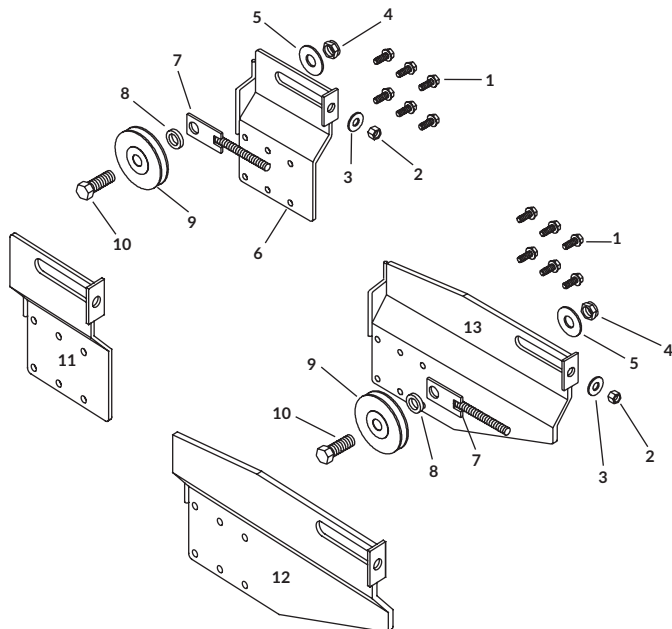


COVER-PRO II® MOUNTING TUBES

PRICE	ITEM	PART #	DESCRIPTION
		1109386	Mounting Tube Kit - 92" Series [Includes 10; 2 of 1 & 6; 3 of 9; 4 of 3 & 5; 6 of 7 & 8; 8 of 2 & 4]
		1109008	Mounting Tube Kit - 96" Series [Includes 10; 2 of 1 & 6; 3 of 9; 4 of 3 & 5; 6 of 7 & 8; 8 of 2 & 4]
		1109389	Mounting Tube Kit - 102" Series [Includes 10; 2 of 1 & 6; 3 of 9; 4 of 3 & 5; 6 of 7 & 8; 8 of 2 & 4]
	1	1109009	Mounting Tube Brace
	2	1700400	Self-Tapping Screw - Non Corrosive Coating - 3/8" x 1"
	3	1702113	Hex Head Cap Screw - 1/2" x 5"
	4	1702114	Flat Washer - 1/2"
	5	1702115	Nylon Lock Hex Nut - 1/2"
	6	1702450	Mounting Tube Spacer
	7	1701580	Nylon Lock Hex Nut - 3/8"
	8	1701176	Flat Washer - 3/8" - SAE
	9	1701532	Square Bend U-Bolt - 3/8"
	10	1109307	Mounting Tube - 92" Series
		1109007	Mounting Tube - 96" Series
		1109306	Mounting Tube - 102" Series

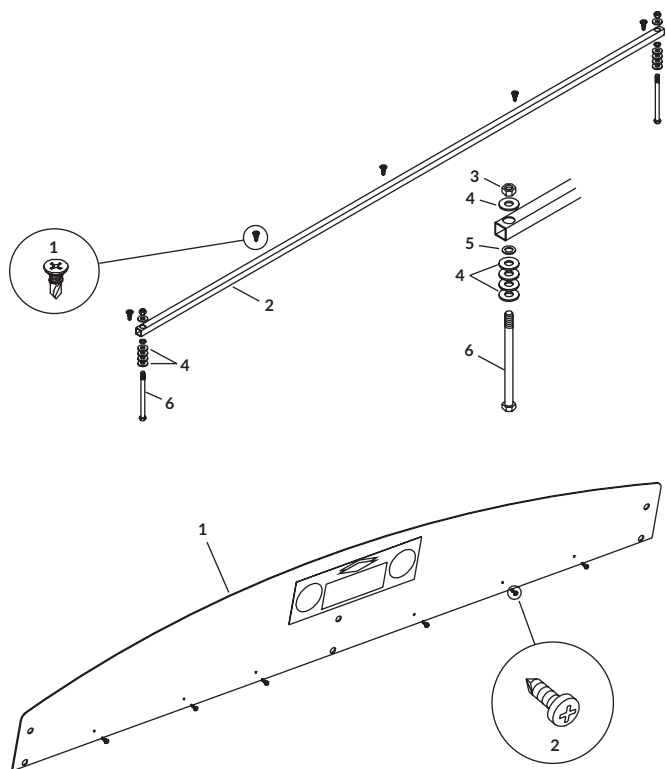


COVER-PRO II® REAR PULLEYS



PRICE	ITEM	PART #	DESCRIPTION
		1111023	Rear Pulley Kit - Passenger Side [Includes 2; 3; 4; 5; 6; 7; 8; 9; 10; 6 of 1]
		1111024	Rear Pulley Kit - Driver Side [Includes 2; 3; 4; 5; 7; 8; 9; 10; 11; 6 of 1]
		1110655	Extended Rear Pulley Kit - Passenger Side [Includes 2; 3; 4; 5; 7; 8; 9; 10; 13; 6 of 1]
		1110737	Extended Rear Pulley Kit - Driver Side [Includes 2; 3; 4; 5; 7; 8; 9; 10; 12; 6 of 1]
	1	1700400	Self-Tapping Screw - Non Corrosive Coating - 3/8" x 1"
	2	1702115	Nylon Lock Hex Nut - 1/2"
	3	1701269	Flat Washer - 1/2"
	4	1702123	Nylon Lock Hex Nut - 3/4"
	5	1701039	Flat Washer - 3/4"
	6	1109013	Rear Pulley Bracket - Passenger Side
	7	1109012	Rear Pulley Take-Up
	8	1702468	Spacer - 1-1/4"
	9	1702099	Pulley - 4"
	10	1701581	Hex Head Cap Screw - 3/4" x 2"
	11	1109014	Rear Pulley Bracket - Driver Side
	12	1109069	Extended Rear Pulley Bracket - Driver Side
	13	1109065	Extended Rear Pulley Bracket - Passenger Side

COVER-PRO II® TARP TUBES



PRICE	ITEM	PART #	DESCRIPTION
		1109422	Tarp Tube Kit - 92" Series [Includes 2; 2 of 3, 5 & 6; 5 of 1; 10 of 4]
		1109284	Tarp Tube Kit - 96" Series [Includes 2; 2 of 3, 5 & 6; 5 of 1; 10 of 4]
		1109425	Tarp Tube Kit - 102" Series [Includes 2; 2 of 3, 5 & 6; 5 of 1; 10 of 4]
	1	1704768	Flat-Headed Self-Drilling Screw - 1/4" x 3/4"
	2	1109296	Tarp Hold-Down Tube - 92" Series
		1109294	Tarp Hold-Down Tube - 96" Series
		1109295	Tarp Hold-Down Tube - 102" Series
	3	1702115	Nylon Lock Hex Nut - 1/2"
	4	1702114	Flat Washer - 1/2"
	5	1703969	Self-Locking Retaining Ring - 1/2"
	6	1702118	Hex Head Cap Screw - 1/2" x 7"

COVER-PRO II® WINDSHIELDS

PRICE	ITEM	PART #	DESCRIPTION
	1	1110150	Windshield - 92"
		1110151	Windshield - 96"
		1110152	Windshield - 102"
	2	1700398	Self-Drilling Screw - 1/4" x 3/4"

