



INDEX - 6

SHUR-CO® DISTRIBUTION CENTERS 2

IRONSIDE 2™ ROLL TARP 3

REPLACEMENT TARPS 3

OPTIONS AND UPGRADES 4

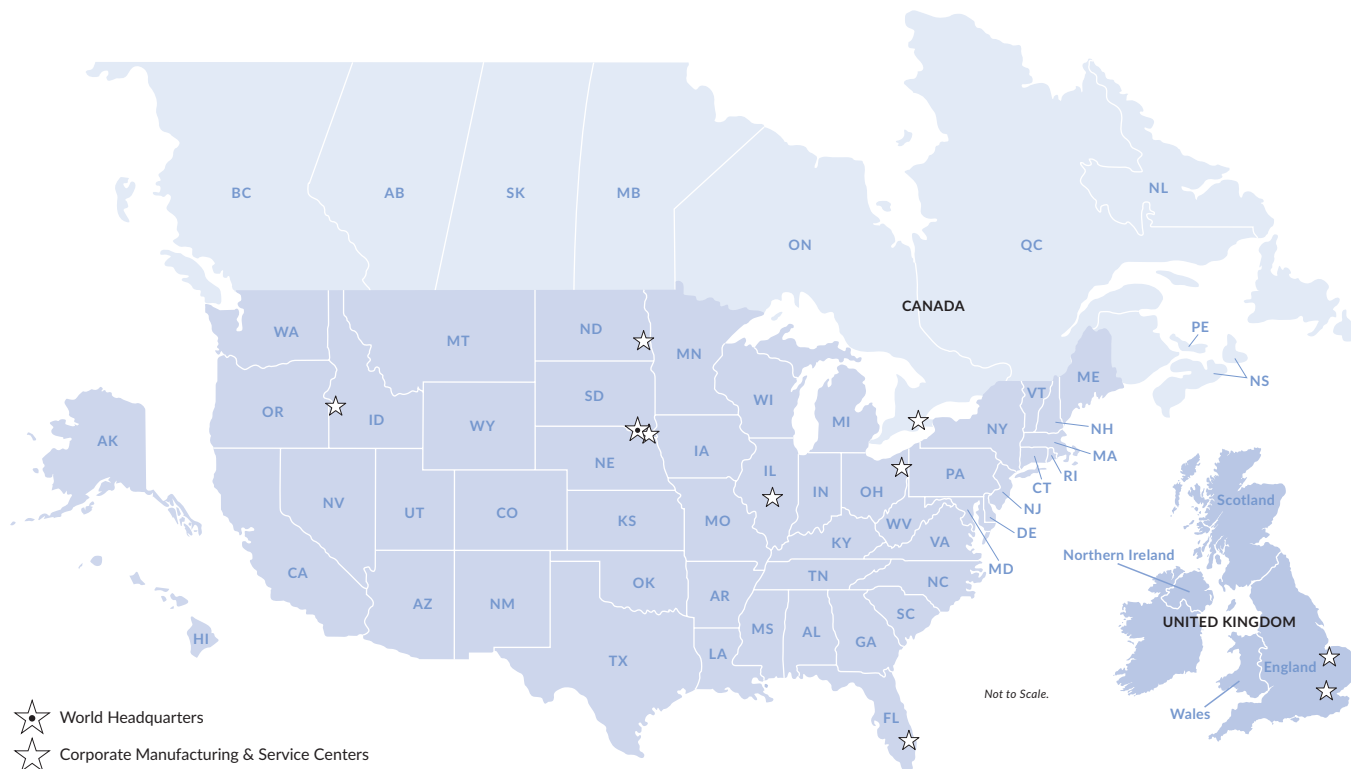
GENUINE REPLACEMENT PARTS 5-15

Volume 44 Introduction of the ShurLink™ Wireless System.

ShurLink EZR™ | ShurLink PRO™



SHUR-CO® SALES AND DISTRIBUTION CENTERS



World Headquarters
SHUR-CO® CORPORATE HQ
 2309 Shur-Lok St., Yankton
800.474.8756
 FAX: 605.665.0501

Donovan® Brand Headquarters
SHUR-CO® of FLORIDA
 3353 SE Gran Park Way, Stuart
800.327.8287
 FAX: 772.287.0431

SHUR-CO® of CANADA
 490 Egin St., Unit #2
 Brantford, Ontario N3S 7P8
800.265.0823
 FAX: 519.715.3997

SHUR-CO® of IDAHO
 921 Garber St., Caldwell
208.455.1046
 FAX: 208.459.1190

SHUR-CO® of OHIO
 4676 Lynn Rd., Rootstown
866.356.0242
 FAX: 330.297.5599

SHUR-CO® of SOUTH DAKOTA
 1212 N. Norbeck St., Vermillion
605.658.1020
 FAX: 605.658.1022

SHUR-CO® of ILLINOIS
 3993 E. Mueller Ave., Decatur
866.356.0246
 FAX: 217.877.8270

SHUR-CO® of NORTH DAKOTA
 1746 4th Ave. NW, West Fargo
877.868.4488
 FAX: 701.277.1283

SHUR-CO® UK Limited
 Rochester Airport Est., Unit 41
 Laker Rd.
 Rochester, Kent ME1 3QX
 +44 (0) 1795.473499

STANDARD v. OPTIONS

Each Shur-Co® tarp system comes with standard features. These are bulleted (●) and noted as **Standard** in bold type under STANDARD FEATURES AND OPTIONS, like the weld-on universal mounting bracket below right. Any change from these standard features affects the cost of your system. This is noted as an “add,” “deduct” or no charge “N/C.”

If you replace the standard weld-on mounting bracket with the bolt-on bracket, for example, there would be an increase in your total cost (for an exact quote, please call).

If you have questions on options and upgrades, there is a complete list of photos and descriptions (see pg. 4).

NOTE: All prices in this catalog are subject to change without notice. All components other than standard may require a non-refundable \$100 special processing fee. Call for details.

IRONSIDE 2™ FOR SIDE DUMPS



Start with your box dimensions from the chart below, rounding up as needed. Then using STANDARD FEATURES AND OPTIONS chart at right, add or deduct as instructed for any changes from the bulleted (●) standard equipment.

COMPLETE KITS Standard Trailer Make | Weld On*

BOX LENGTH
32' to 36'
36' to 38'
Up to 20' Pup**

*Brackets MUST be welded onto trailer before installing system.

**When ordering both lead and pup, call to ensure that correct wiring is specified.

STANDARD FEATURES AND OPTIONS

ROLL TUBE	
● 3.55" OD Aluminum Tubing w/34" Splice	Standard
PUSH-OUT ASSEMBLY	
● Front/Rear Push-Out - Passenger Side	Standard
ELECTRIC	
● In-Cab Rocker Switch w/Wiring	Standard
Upgrade to ShurLink EZR™ w/Express Mode	Add
Upgrade to ShurLink PRO™ w/Express Mode	Add
SPRING ASSEMBLY	
● Front/Rear Torsion Springs	Standard
SUPPORT BRACKETS	
● Universal Mounting Bracket - Weld-On	Standard
Bolt-On Mounting Bracket*	Add
TARP OPTIONS	
● Black Mesh w/Vinyl Reinforcements	Standard
Vinyl**	Add

*Special brackets may need to be ordered, depending on the make of trailer.

**Available vinyl colors: red, black, royal blue, white, yellow, green, orange, grape, maroon, tan, brown or gray. (Grape & yellow are not available in 22-oz. fabric.)

REPLACEMENT TARPS

IRONSIDE 2™ TARPS			
	LENGTH	WIDTH	FABRIC
1901332	21'6"	144"	Black Mesh-Vinyl Reinforced
1901330	31'10"	144"	Black Mesh-Vinyl Reinforced
1901286	33'10"	144"	Black Mesh-Vinyl Reinforced
1901287	34'10"	144"	Black Mesh-Vinyl Reinforced
1901288	35'10"	144"	Black Mesh-Vinyl Reinforced
1901480	37'10"	144"	Black Mesh-Vinyl Reinforced

IRONSIDE 2™ AFTERMARKET TARPS*			
	LENGTH	WIDTH	FABRIC
1901322	33'10"	144"	Black Mesh
1901323	34'10"	144"	Black Mesh
1901324	35'10"	144"	Black Mesh

*Tarps are NOT reinforced with vinyl on edges.

OPTIONS AND UPGRADES

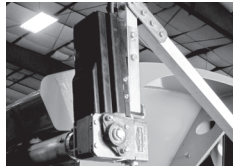
RETURN ARMS



Durable Steel Arm

Plated 2" square 14-gauge tubing with 3/8" steel pivot plates, steel bearing plates and heavy-duty steel hinges.

DRIVES



Direct Drive

For increased torque output to roll tube with a solid-drive shaft supported on both ends by triple-sealed bearings.

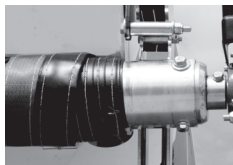
TORSION SPRINGS



Heavy-Duty Adjustable Load

Cold-drawn torsion springs of 5/8" wire. Pre-load adjustable - designed to power tarp back to closed position.

ROLL TUBES



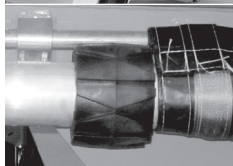
Extruded Aluminum Tube

Lightweight 3-9/16" tube is strong enough for tarp and tube to be lifted above trailer with minimal deflection.



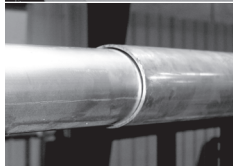
Push Out

Spring-loaded levers located at each end of tub provide pushing force to roll tarp back out from under top rail.



Traction Wheel

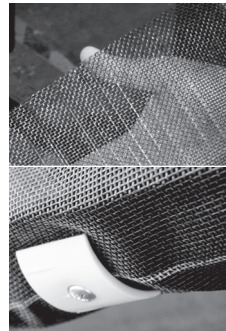
Treated rubber pad wraps roll tube for better grip on tub and bulkheads. Also works as an abrasion barrier.



Splice

Extruded aluminum insert fits inside roll tube. Up to 3' long, joins sections to reduce roll tube sag. 3-1/4" diameter.

TARP OPTIONS



Mesh Fabric

Durable and lightweight, for good air flow and more secure containment. Comes standard with reinforcements (below).

Heavy-Duty Reinforcements

Double-layered 22-oz. vinyl, 20" wide, runs length of tarp on fixed side. Vinyl roll pocket and web-reinforced hem.

TARP REPAIR



Standard Kit

One pint of cleaner, 1 quart of vinyl cement and 10 square feet of vinyl-coated fabric.

Professional Kit

Includes a Wagner heat gun, scissors, roller, 10 square feet of fabric and instructions.

GENUINE SIDE-DUMP SYSTEM REPLACEMENT PARTS



Genuine Shur-Co® replacement parts are proven to fit and function better. For quality performance, go with the name you can trust. Remember that utilizing non-Genuine parts voids your warranty. For your convenience, we also have a comprehensive numerical listing of Shur-Co® parts and prices in Section 8.

NOTE: All prices in this catalog are subject to change without notice. All components other than standard may require a non-refundable \$100 special processing fee. Call for details.

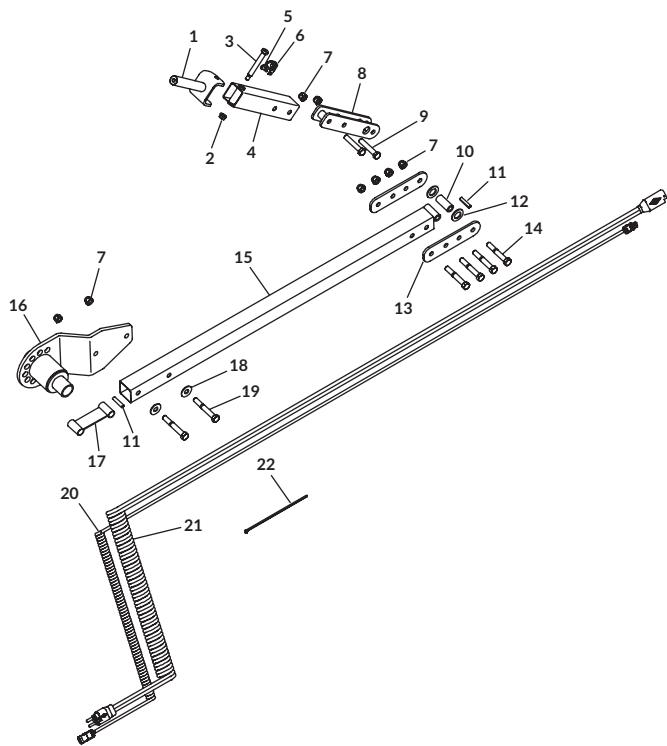
TARP REPAIR SUPPLIES(see Section 1 - Shur-Lok®/PBR, p. 41)

IRONSIDE 2™

Arm Assemblies.....	5-6
Electrics.....	6
Miscellaneous	7
Motor Arm Assemblies	7
Motor Mount Assemblies	8
Push-Out Assemblies.....	8-9
Roll Tubes/Fixed Tubes.....	9
Spring Assemblies.....	10
Support Brackets	10

IRONSIDE™

Arm Assemblies.....	11-12
Electrics.....	13
Push-Out Assemblies.....	14
Roll Tubes/Fixed Tubes.....	15
Spring Assemblies.....	15
Support Brackets	15



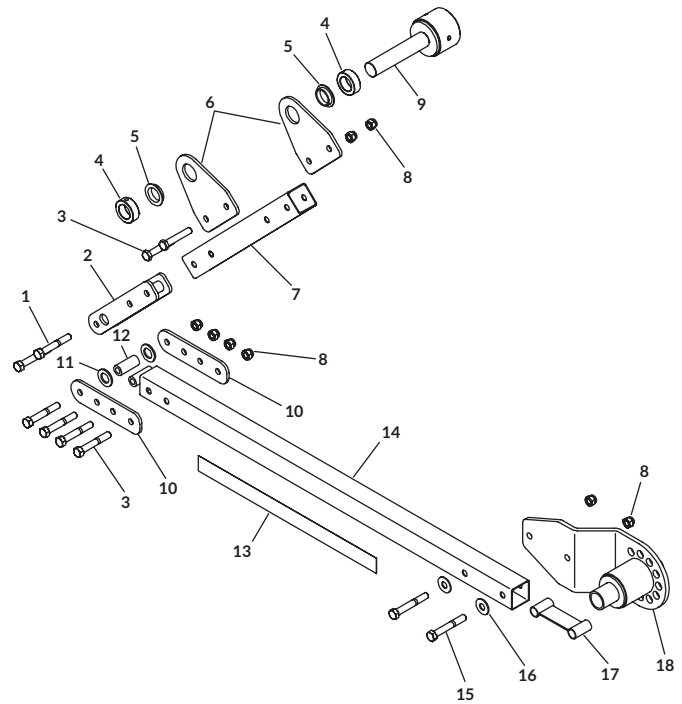
IRONSIDE 2™ ARM ASSEMBLIES – FRONT

PRICE	ITEM	PART #	DESCRIPTION
			Front Arm Assembly [Includes 1; 2; 3; 4; 5; 6; 8; 15; 16; 17; 20; 21; 2 of 9, 10, 12, 13, 18 & 19; 3 of 22; 4 of 14; 8 of 7]
	1	1126803	Upper Arm Universal
	2	1705916	Flanged Nylon Lock Nut - 3/8"
	3	1705896	Shoulder Bolt - 1/2" - 3/8" x 1/2" Thread
	4	1126801	Upper Arm Tube
	5	1700398	Self-Drilling Screw - 1/4" x 3/4"
	6	1702108	Wire Clip - 3/4"
	7	1705913	Nylon Lock Nut - 1/2"
	8	1127008	Upper Hinge
	9	1705915	Hex Head Cap Screw - 1/2" x 2-3/4"
	10	1127007	Lower Arm Hinge Spacer
	11	1704396	Edge Guard - 5/16" x 1-5/8"
	12	1704810	Flat Washer - Bronze - 1/8" x 1-1/2" OD
	13	1127006	Lower Arm Hinge Plate
	14	1705914	Hex Head Cap Screw - 1/2" x 3-1/4"
	15	1126977	Lower Arm Tube
	16	1126794	Spring Pivot
	17	1126813	Dog Bone Spacer
	18	1705911	Flat Washer - 1/2"
	19	1705912	Hex Head Cap Screw - 1/2" x 3-1/2"
	20	1705876	Encoder Wire Assembly - 18 Ga. Coiled
	21	1126840	SMARTwire™ - 6 Ga. Coiled
	22	1703231	Cable Tie - 8"

GENUINE SIDE-DUMP SYSTEM REPLACEMENT PARTS

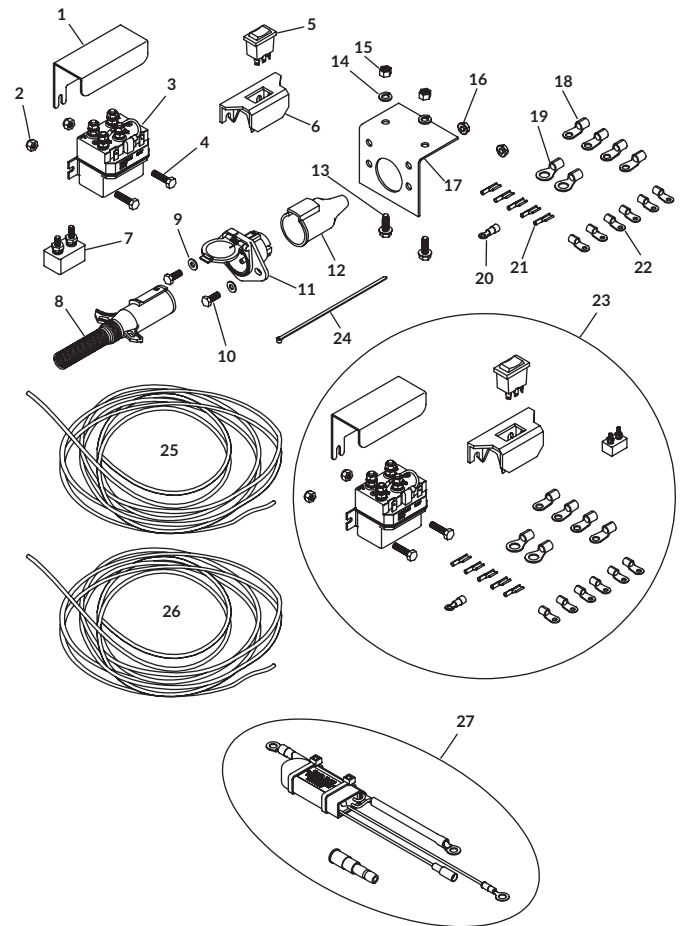
IRONSIDE 2™ ARM ASSEMBLIES – REAR

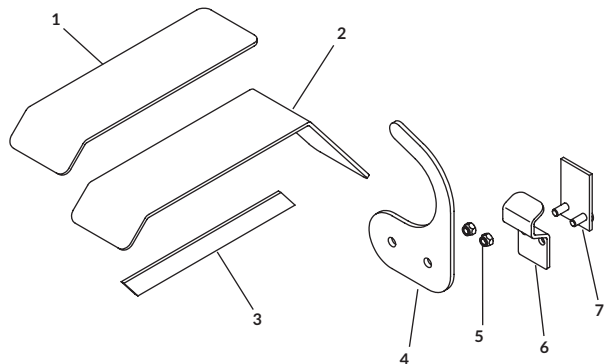
PRICE	ITEM	PART #	DESCRIPTION
		1126843	Rear Arm Assembly [Includes 2; 7; 9; 13; 14; 17; 18; 2 of 1, 4, 5, 6, 10, 11, 12, 15 & 16; 6 of 3; 10 of 8]
	1	1705915	Hex Head Cap Screw - 1/2" x 2-3/4"
	2	1127008	Upper Hinge
	3	1705914	Hex Head Cap Screw - 1/2" x 3-1/4"
	4	1704807	Locking Collar - 1-1/4"
	5	1704468	Flange Bushing - 1.281" x 1.522"
	6	1127009	Idler Shaft Bearing Plate - Black
	7	1126976	Rear Upper Arm Tube - Black
	8	1705913	Nylon Lock Nut - 1/2"
	9	1120736	Rear Roll Tube Connector
	10	1127006	Lower Arm Hinge Plate
	11	1704810	Flat Washer - Bronze - 1/8" x 1-1/2"
	12	1127007	Lower Arm Hinge Spacer
	13	1705877	Arm Decal
	14	1126977	Lower Arm Tube
	15	1705912	Hex Head Cap Screw - 1/2" x 3-1/2"
	16	1705911	Flat Washer - 1/2"
	17	1126813	Dog Bone Spacer
	18	1126794	Spring Pivot



IRONSIDE 2™ ELECTRICS

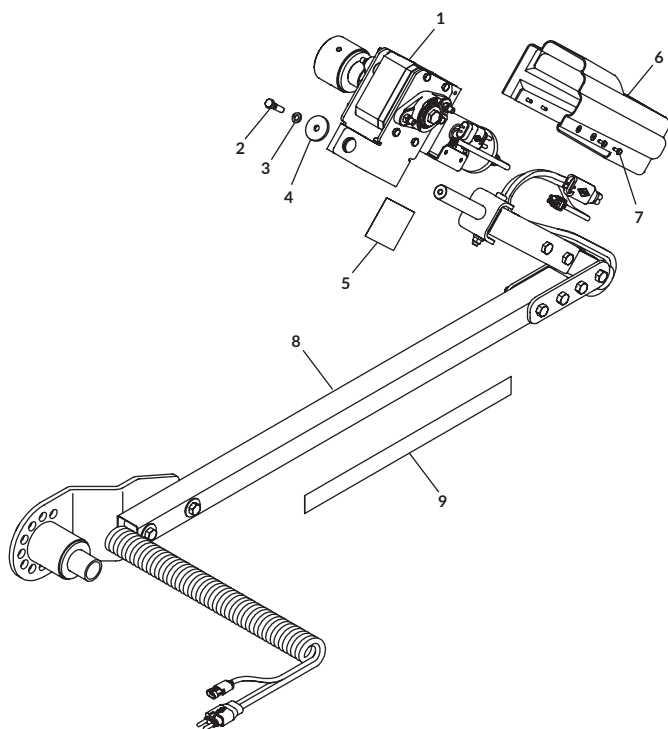
PRICE	ITEM	PART #	DESCRIPTION
	1	1703896	Solenoid Cover
	2	1701543	Nylon Lock Hex Nut - 1/4"
	3	1703845	Motor-Reversing Solenoid
	4	1700381	Hex Head Cap Screw - 1/4" x 1"
	5	1116020	Rocker Switch
	6	1703661	Rocker Switch Mounting Bracket
	7	1703480	50-Amp Auto-Reset Circuit Breaker
	8	1115385	Heavy-Duty Dual-Conductor Plug - Vertical Pin
	9	1700427	Flat Washer - 1/4"
	10	1701045	Hex Head Cap Screw - 5/16" x 3/4"
	11	1115386	Heavy-Duty Dual-Conductor Socket - Vertical Pin
		1704714	Heavy-Duty Dual-Conductor Socket - Horizontal Pin
	12	1704573	Sealing Boot - Socket Half Dual Conductor
	13	1700400	Self-Tapping Screw - 3/8" x 1" (non-corrosive coating)
	14	1700434	Lock Washer - 3/8"
	15	1700407	Hex Nut - 3/8"
	16	1704946	Top Lock Flange Nut - 5/16"
	17	1109015	Conductor Plug Mounting Bracket
	18	1703245	Ring Terminal - 6 Ga. x #10 Stud - Motor/Breaker
	19	1703244	Ring Terminal - 6 Ga. x 3/8" Stud - Battery
	20	1704153	Ring Terminal - 14 Ga. x 1/4" Stud - Solenoid
	21	1703659	Push-On Terminal - 14 Ga. x 1/4" - Switch/Solenoid
	22	1702707	Ring Terminal - 6 Ga. x 1/4" Stud - Motor/Solenoid
	23	1116271	Electrical Parts Kit w/Rocker Switch - 50 Amp Modified
	24	1703231	Cable Tie - 8"
	25	1116482	Electrical Wire - 14 Ga. Lead - 15'
	26		
	27	1126784	80-Amp Smart Circuit Breaker Kit





IRONSIDE 2™ MISCELLANEOUS

PRICE	ITEM	PART #	DESCRIPTION
	1	1121980	Tarp Cradle Extension
	2	1120748	Tarp Cradle
	3	1121979	Tarp Cradle Gusset
	4	1120740	Tarp Retainer Hook
	5	1705918	Nylon Lock Nut - 3/8"
	6	1126978	Fixed Tube Clamp
	7	1120733	Fixed Tube Anchor



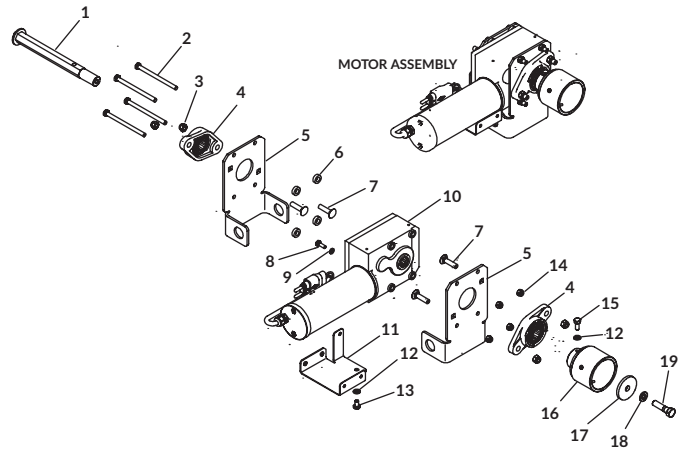
IRONSIDE 2™ MOTOR FRONT ARM ASSEMBLIES

PRICE	ITEM	PART #	DESCRIPTION
		1126841	Motor/Front Arm Assembly [Includes 1; 2; 3; 4; 5; 6; 8; 9; 4 of 7]
		1126842	Motor/Front Arm Assembly - Reverse Roll
	1	1126836	Motor Mount Assembly
	2	1126837	Motor Mount Assembly - Reverse Roll
	3	1705910	Cap Screw - 3/8" x 1-1/2"
	4	1705909	Lock Washer - 3/8"
	5	1126983	Spring Catch Retaining Washer - Black
	6	1705878	Motor Bracket Decal
	7	1126811	Motor Cover Kit - Black
	8	1704308	Flange Cap Screw - #10 x 1/2"
	9	1126838	Front Arm Assembly
	10	1126839	Front Arm Assembly - Reverse Roll
	11	1705877	Arm Decal

GENUINE SIDE-DUMP SYSTEM REPLACEMENT PARTS

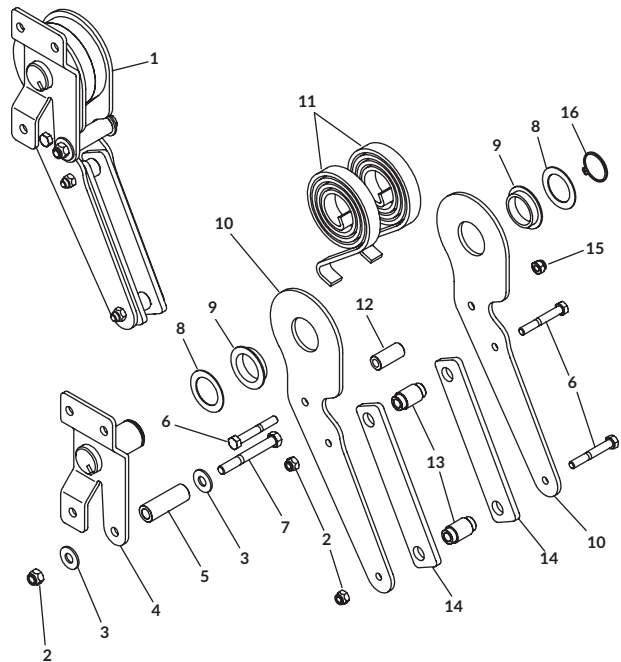
IRONSIDE 2™ MOTOR MOUNT ASSEMBLIES

PRICE	ITEM	PART #	DESCRIPTION
			Motor Mount Assembly [Includes 1; 8; 9; 1126836 10; 11; 13; 15; 16; 17; 18; 19; 2 of 4, 5 & 12; 4 of 2, 3, 6, 7 & 14]
	1	1127063	Drive Shaft Weldment
	2	1705895	Hex Head Cap Screw - 5/16" x 4-1/2"
	3	1705918	Nylon Lock Nut - 3/8"
	4	1704456	Flange Bearing - 7/8" Hex - 2 Bolt
	5	1126805	Motor Mount Plate
	6	1126812	Spacer Washer - 1/4" x 3/4" OD
	7	1705917	Carriage Bolt - 5/16" x 1-1/2"
	8	1703959	Hex Head Cap Screw - 1/4" x 3/4"
	9	1700436	Lock Washer - 1/4"
	10	1127091	Motor
	11	1126809	Motor Mount Cover Assembly
	12	1700433	Lock Washer - 5/16"
	13	1703171	Hex Head Cap Screw - 5/16" x 1/2"
	14	1705919	Nylon Lock Nut - 5/16"
	15	1701045	Hex Head Cap Screw - 5/16" x 3/4"
	16	1120738	Front Roll Tube Connector
	17	1126983	Spring Catch Retaining Washer
	18	1705909	Lock Washer - 3/8"
	19	1705910	Hex Head Cap Screw - 3/8" x 1-1/2"



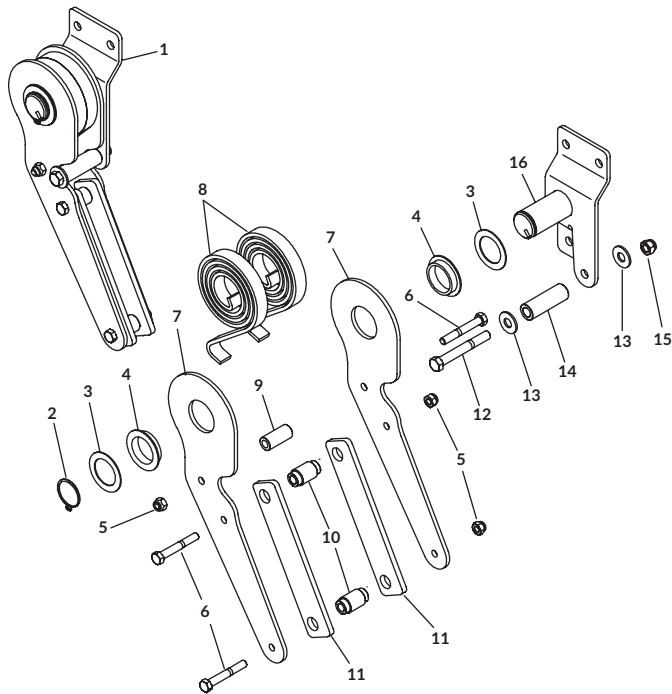
IRONSIDE 2™ PUSH-OUT ASSEMBLIES - FRONT

PRICE	ITEM	PART #	DESCRIPTION
	1	1127015	Push-Out Assembly - Front
	2	1705918	Nylon Lock Nut - 3/8"
	3	1705921	Flat Washer - 3/8" - USS
	4	1127014	Push-Out Pivot - Front
	5	1120753	Push-Out Spring Catch
	6	1705923	Hex Head Cap Screw - 5/16" x 2-1/4"
	7	1705922	Hex Head Cap Screw - 3/8" x 3"
	8	1705925	Flat Washer - 1-1/4" x 1-7/8"
	9	1704468	Flange Bushing - 1.281" x 1.522"
	10	1127010	Push-Out Plate - Black
	11	1111027	Spiral Torsion Spring
	12	1127011	Push-Out Stop Tube
	13	1127012	Push Plate Spacer - Black
	14	1120754	Push-Out Wear Pad
	15	1705919	Nylon Lock Nut - 5/16"
	16	1702888	Retaining Ring

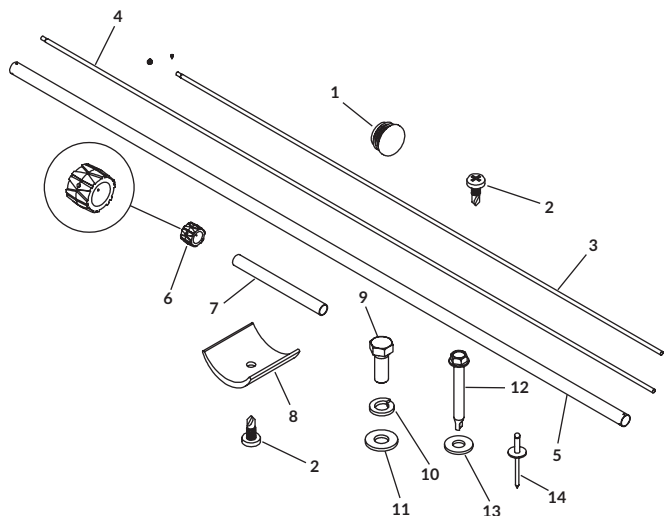


GENUINE SIDE-DUMP SYSTEM REPLACEMENT PARTS

IRONSIDE 2™ PUSH-OUT ASSEMBLIES – REAR



PRICE	ITEM	PART #	DESCRIPTION
	1	1127016	Push-Out Assembly - Rear
	2	1702888	Retaining Ring
	3	1705925	Flat Washer - 1-1/4" x 1-7/8"
	4	1704468	Flange Bushing - 1.281" x 1.522"
	5	1705919	Nylon Lock Nut - 5/16"
	6	1705923	Hex Head Cap Screw - 5/16" x 2-1/4"
	7	1127010	Push-Out Plate - Black
	8	1111027	Spiral Torsion Spring
	9	1127011	Push-Out Stop Tube
	10	1127012	Push Plate Spacer - Black
	11	1120754	Push-Out Wear Pad
	12	1705922	Hex Head Cap Screw - 3/8" x 3"
	13	1705921	Flat Washer - 3/8" - USS
	14	1120753	Push-Out Spring Catch
	15	1705918	Nylon Lock Nut - 3/8"
	16	1127013	Push-Out Pivot - Rear



IRONSIDE 2™ ROLL TUBES/FIXED TUBES

PRICE	ITEM	PART #	DESCRIPTION
	1	1700523	End Plug - 1-1/8"
	2	1700398	Self-Drilling Screw -1/4" x 3/4"
	3	1700051	Fixed Tube - 1-1/8" x 16'
		1706156	Fixed Tube - 1-1/8" x 8'
	4	1700049	Fixed Tube - 1-1/8" x 20'
		1706155	Fixed Tube - 1-1/8" x 11'
	5	1120913	Roll Tube - 20' - Aluminum - 3.55" Diam.
	6	1705706	Traction Wheel
	7	1120911	Splice Tube
	8	1701354	Plastic U-Clamp
	9	1701061	Hex Head Cap Screw - 3/8" x 1"
	10	1700434	Lock Washer - 3/8"
	11	1700429	Flat Washer - 3/8"
	12	1705415	Self-Drilling Screw - #12 x 1-3/4"
	13	1111054	Flat Washer - #10
	14	1700472	Blind Rivet - 1/4"
		1809211	Thread Lock (not shown)

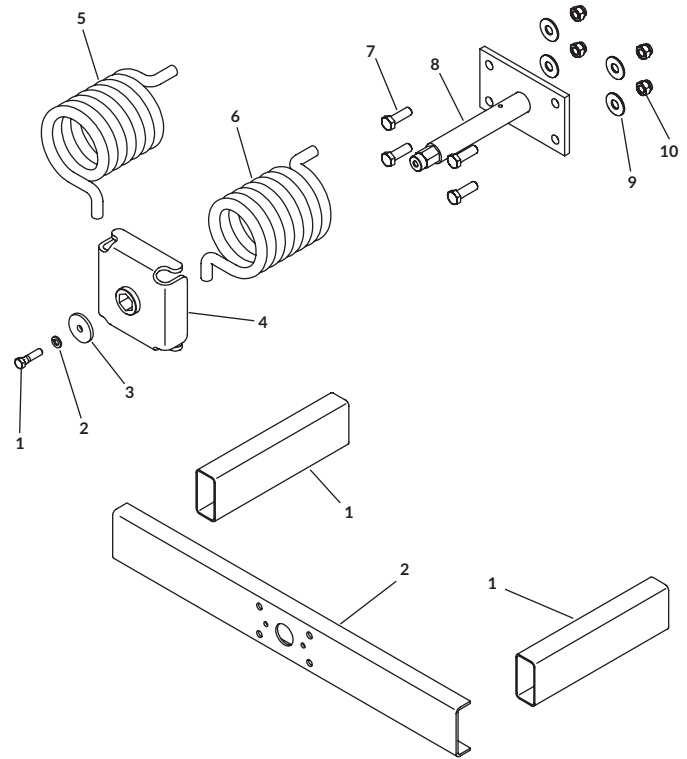
GENUINE SIDE-DUMP SYSTEM REPLACEMENT PARTS

IRONSIDE 2™ SPRING ASSEMBLIES

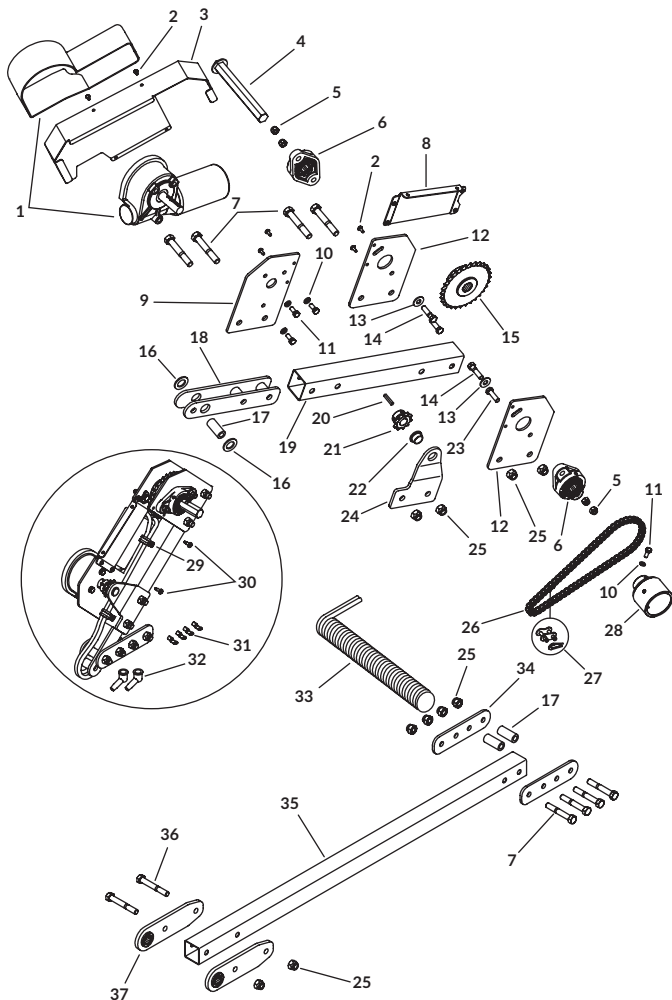
PRICE	ITEM	PART #	DESCRIPTION
	1	1705910	Hex Head Cap Screw - 3/8" x 1-1/2"
	2	1705909	Lock Washer - 3/8"
	3	1126983	Spring Catch Retaining Washer - Black
	4	1126799	Spring Catch
	5	1705829	Torsion Spring - Red - RH
	6	1705828	Torsion Spring - Black - LH
	7	1705920	Hex Head Cap Screw - 1/2" x 1-1/2"
	8	1126819	Spring Pivot Shaft
	9	1705911	Flat Washer - 1/2"
	10	1705913	Nylon Lock Nut - 1/2"

IRONSIDE 2™ SUPPORT BRACKETS

PRICE	ITEM	PART #	DESCRIPTION
	1	1126824	Support Tube
	2	1126810	Support Bracket



IRONSIDE™ ARM ASSEMBLIES – FRONT

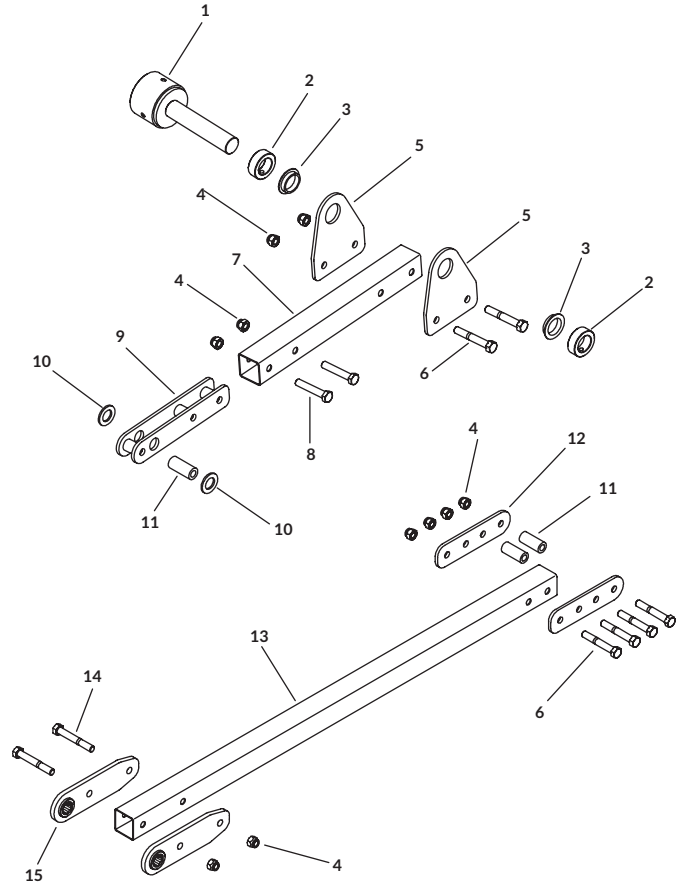


PRICE	ITEM	PART #	DESCRIPTION
		1120760	Front Arm Assembly [Includes 1; 3; 4; 8; 9; 15; 18; 19; 20; 21; 22; 24; 26; 27; 28; 33; 35; 2 of 6, 12, 13, 14, 16, 17, 23, 29, 30, 31, 32, 34, 36 & 37; 4 of 5, 10 & 11; 6 of 2; 8 of 7; 10 of 25]
		1120759	Upper Arm Assembly [Includes 1; 4; 8; 9; 15; 18; 19; 20; 21; 22; 24; 2 of 6, 12, 13, 14 & 23; 3 of 10 & 11; 4 of 2, 5, 7 & 25]
	1	1703823	Power Drive Electric Motor - High Torque
	2	1704308	Flange Cap Screw - #10 x 1/2"
	3	1120727	Chain Guard
	4	1120724	Drive Shaft
	5	1701580	Nylon Lock Nut - 3/8"
	6	1704456	Flange Bearing - 7/8"
	7	1704808	Hex Head Cap Screw - 1/2" x 3-1/4"
	8	1120728	Chain Guard Filler Panel
	9	1120720	Motor Mount Plate
	10	1700433	Lock Washer - 5/16"
	11	1701045	Hex Head Cap Screw - 5/16" x 3/4"
	12	1120722	Drive Shaft Bearing Plate
	13	1700429	Flat Washer - 3/8"
	14	1701434	Hex Head Cap Screw - 3/8" x 1-1/2"
	15	1120723	Sprocket - T30-40 - 7/8" Hex Bore
	16	1704810	Flat Washer - Bronze - 1/8" x 1-1/2"
	17	1120712	Motor Hinge Spacer
	18	1120718	Upper Hinge
	19	1120719	Upper Arm Tube
	20	1120762	Square Key - 3/16" x 3/16" x 1-1/4"
	21	1120751	Sprocket - T10-40 - 3/4" Bore
	22	1704811	Flange Bearing - 3/4"
	23	1702891	Hex Head Cap Screw - 3/8" x 1-1/4"
	24	1120721	Motor Shaft Support Bracket
	25	1702115	Nylon Lock Nut - 1/2"
	26	1120763	Roller Chain Assembly - 31-3/4"
	27	1701057	Connector Link
	28	1120738	Front Roll Tube Connector
	29	1702108	Wire Clip
	30	1700398	Self-Drilling Screw - 1/4" x 3/4"
	31	1702707	Ring Terminal - 6 Ga. x 1/4" Stud
	32	1704330	Rubber Insulating Boot
	33	1704788	Coiled Wire - 6 Ga. x 16'8"
	34	1120714	Lower Arm Hinge Plate
	35	1120715	Lower Arm Tube
	36	1700378	Hex Head Cap Screw - 1/2" x 3-1/2"
	37	1120716	Pivot Plate

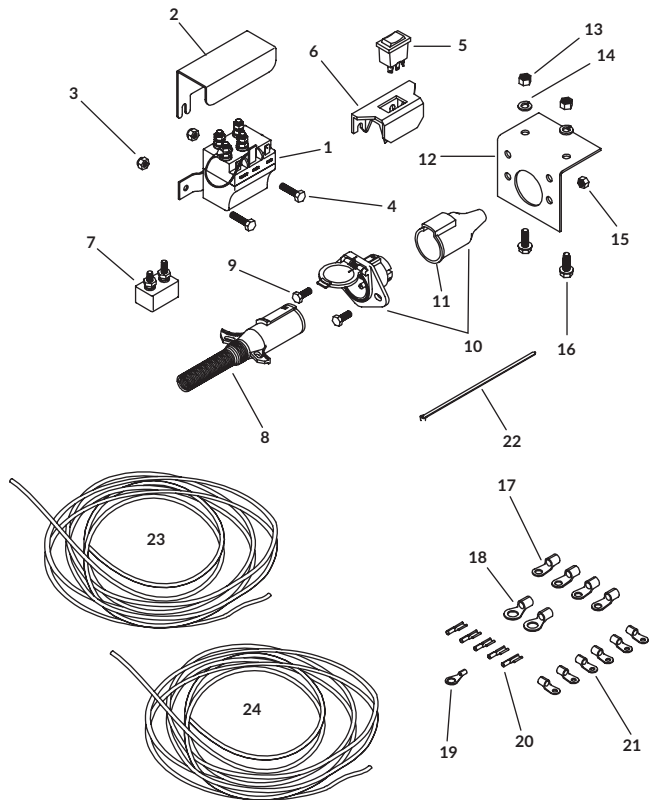
GENUINE SIDE-DUMP SYSTEM REPLACEMENT PARTS

IRONSIDE™ ARM ASSEMBLIES – REAR

PRICE	ITEM	PART #	DESCRIPTION
		1120758	Upper Arm Assembly - Rear [Includes 7; 9; 2 of 5, 6 & 8; 4 of 4]
		1120761	Lower Arm Assembly [Includes 1; 7; 9; 13; 2 of 2, 3, 5, 6, 8, 10, 11, 12, 14 & 15; 4 of 6; 10 of 4]
	1	1120736	Rear Roll Tube Connector
	2	1704807	Locking Collar
	3	1704468	Flange Bushing
	4	1702115	Nylon Lock Nut - 1/2"
	5	1120731	Idler Shaft Bearing Plate
	6	1704808	Hex Head Cap Screw - 1/2" x 3-1/4"
	7	1120719	Upper Arm Tube
	8	1704809	Hex Head Cap Screw - 1/2" x 2-3/4"
	9	1120718	Upper Hinge
	10	1704810	Flat Washer - Bronze - 1/8" x 1-1/2"
	11	1129712	Lower Arm Hinge Spacer
	12	1120714	Lower Arm Hinge Plate
	13	1120715	Lower Arm Tube
	14	1700378	Hex Head Cap Screw - 1/2" x 3-1/2"
	15	1120716	Pivot Plate



IRONSIDE™ ELECTRICS

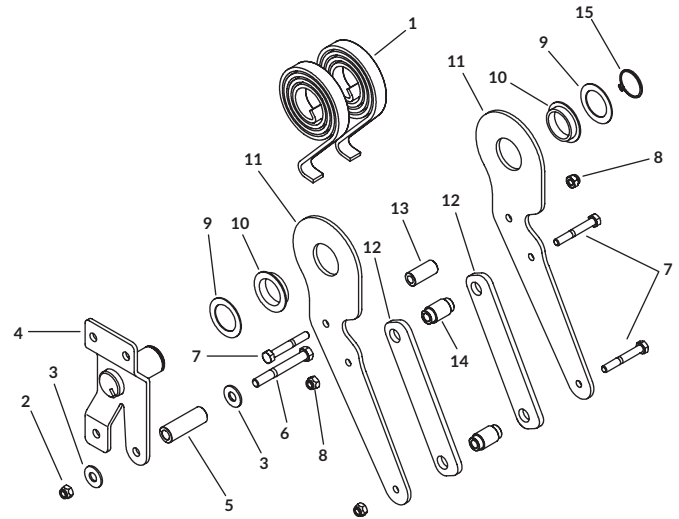


PRICE	ITEM	PART #	DESCRIPTION
		1121526	Cab Wiring Kit - 50-Amp - Rocker - 20' [Includes 1; 2; 5; 6; 7; 8; 19; 23; 24; 2 of 3, 4 & 18; 4 of 17; 5 of 20; 6 of 21; 16 of 22]
		1122940	Cab Wiring Kit - 50-Amp - Rocker - 30' [Includes 1; 2; 5; 6; 7; 8; 19; 23; 24; 2 of 3, 4 & 18; 4 of 17; 5 of 20; 6 of 21; 16 of 22]
		1116271	Electrical Parts Kit - Rocker Switch - 50-Amp Mod. [Includes 1; 2; 5; 6; 7; 19; 2 of 3, 4 & 18; 4 of 17; 5 of 20; 6 of 21]
	1	1703845	Motor-Reversing Solenoid
	2	1703896	Solenoid Cover
	3	1701543	Nylon Lock Nut - 1/4"
	4	1700381	Hex Head Cap Screw - 1/4" x 1"
	5	1116020	Rocker Switch
	6	1703661	Rocker Switch Mounting Bracket
	7	1703480	50-Amp Auto-Reset Circuit Breaker
	8	1115385	Heavy-Duty Dual-Conductor Plug
	9	1701045	Hex Head Cap Screw - 5/16" x 3/4"
	10	1119557	Heavy-Duty Dual-Conductor Metal Socket
	11	1704573	Dual-Conductor Socket Sealed Boot
	12	1109015	Dual-Conductor Mounting Bracket
	13	1700407	Hex Nut - 3/8"
	14	1700434	Lock Washer - 3/8"
	15	1700411	Hex Nut - 5/16"
	16	1700400	Self-Tapping Screw - Non Corrosive Coating - 3/8" x 1"
	17	1703245	Ring Terminal - 6 Ga. x #10 Stud - Motor/Breaker
	18	1703244	Ring Terminal - 6 Ga. x 3/8" Stud - Battery
	19	1704153	Ring Terminal - 14 Ga. x 1/4" Stud - Solenoid
	20	1703659	Push-On Terminal - 14 Ga. x 1/4" Switch/Solenoid
	21	1702707	Ring Terminal - 6 Ga. x 1/4" Stud - Motor/Solenoid
	22	1703231	Cable Tie - 8"
	23	1116482	Electric Wire - 14 Ga. - 3 Lead - 15'
	24	1119078	Dual-Conductor Wire - 6 Ga. - 20'
		1118495	Dual-Conductor Wire - 6 Ga. - 30'

GENUINE SIDE-DUMP SYSTEM REPLACEMENT PARTS

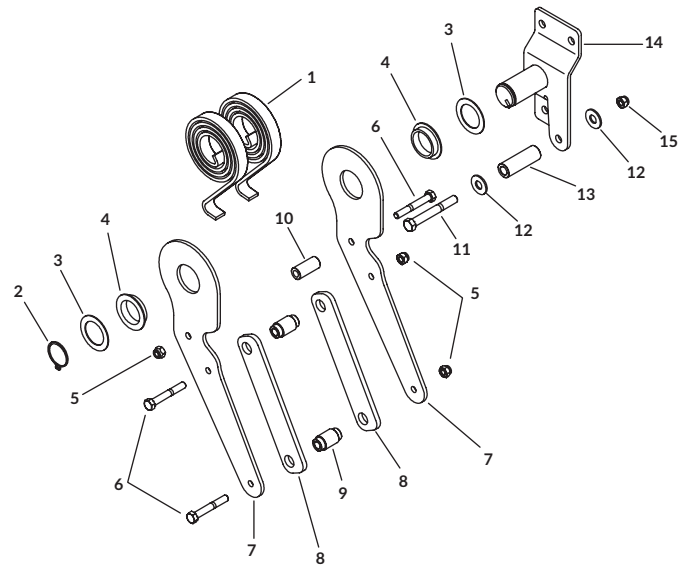
IRONSIDE™ PUSH-OUT ASSEMBLIES – FRONT

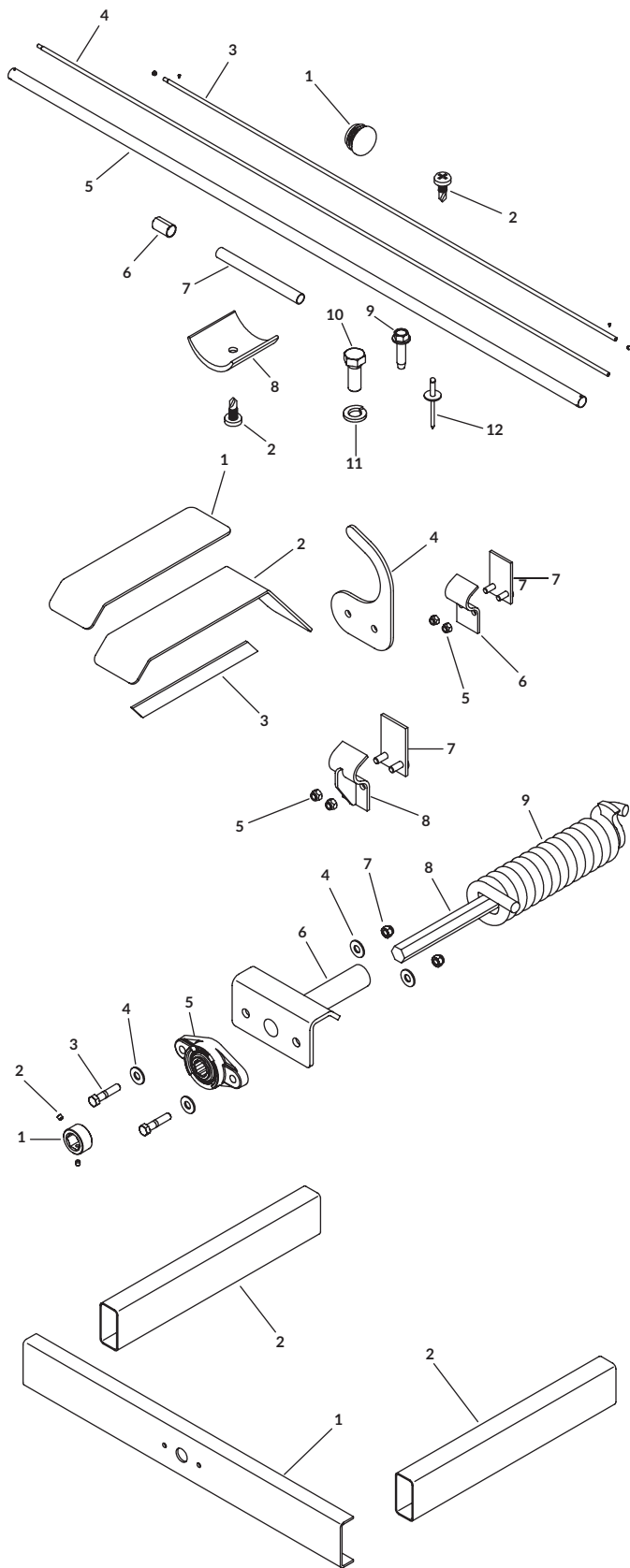
PRICE	ITEM	PART #	DESCRIPTION
		1120755	Push-Out Assembly - Front [Includes 2; 4; 5; 6; 13; 15; 2 of 1, 3, 9, 10, 11, 12, 14; 3 of 7 & 8]
	1	1111027	Spiral Torsion Spring
	2	1701580	Nylon Lock Nut - 3/8"
	3	1700429	Flat Washer - 3/8"
	4	1120746	Push-Out Pivot Weldment - Front
	5	1120752	Push-Out Stop Tube
	6	1700371	Hex Head Cap Screw - 3/8" x 3"
	7	1202899	Hex Head Cap Screw - 5/16" x 2-1/4"
	8	1700419	Nylon Lock Nut - 5/16"
	9	1702890	Flat Washer - 1-1/4" x 1-7/8"
	10	1704468	Flange Bushing - 1.281" x 1.522"
	11	1120745	Push-Out Plate
	12	1120754	Push-Out Wear Band
	13	1120753	Push-Out Spring Catch
	14	1120713	Push-Plate Spacer
	15	1702888	Retaining Ring - 1-1/4"



IRONSIDE™ PUSH-OUT ASSEMBLIES – REAR

PRICE	ITEM	PART #	DESCRIPTION
		1120756	Push-Out Assembly - Rear [Includes 2; 10; 11; 13; 14; 15; 2 of 1, 3, 4, 7, 8, 9, 12; 3 of 5 & 6]
	1	1111027	Spiral Torsion Spring
	2	1702888	Retaining Ring - 1-1/4"
	3	1702890	Flat Washer - 1-1/4" x 1-7/8"
	4	1704468	Flange Bushing - 1.281" x 1.522"
	5	1700419	Nylon Lock Hex Nut - 5/16"
	6	1202899	Hex Head Cap Screw - 5/16" x 2-1/4"
	7	1120745	Push-Out Plate
	8	1120754	Push-Out Wear Band
	9	1120713	Push-Plate Spacer
	10	1120753	Push-Out Spring Catch
	11	1700371	Hex Head Cap Screw - 3/8" x 3"
	12	1700429	Flat Washer - 3/8"
	13	1120752	Push-Out Stop Tube
	14	1120743	Push-Out Pivot Weldment - Rear
	15	1701580	Nylon Lock Nut - 3/8"





IRONSIDE™ ROLL TUBES/FIXED TUBES

PRICE	ITEM	PART #	DESCRIPTION
	1	1700523	End Plug - 1-1/8"
	2	1705198	Self-Drilling Screw - 1/4" x 1"
	3	1700051	Fixed Tube - 1-1/8" x 16'
		1706156	Fixed Tube - 1-1/8" x 8'
	4	1700049	Fixed Tube - 1-1/8" x 20'
		1706155	Fixed Tube - 1-1/8" x 11'
	5	1120913	Roll Tube - 20' - Aluminum - 3.55" Diam.
	6	1704791	Rubber Belting - 6" x 48"
	7	1120911	Splice Tube
	8	1701354	Plastic U-Clamp
	9	1705415	Self-Drilling Screw - #12 x 1-3/4"
	10	1701061	Hex Head Cap Screw - 3/8" x 1"
	11	1700434	Lock Washer - 3/8"
	12	1704337	Blind Rivet - 3/16" x 5/8"

IRONSIDE™ ROLL/FIXED TUBES - CONNECTORS

PRICE	ITEM	PART #	DESCRIPTION
	1	1121980	Tarp Cradle Extension
	2	1120748	Tarp Cradle
	3	1121979	Tarp Cradle Gusset
	4	1120740	Tarp Retainer Hook
	5	1701580	Nylon Lock Nut - 3/8"
	6	1120732	Fixed Tube Clamp
	7	1120733	Fixed Tube Anchor
	8	1122995	Fixed Tube Clamp - Reinforced

IRONSIDE™ SPRING ASSEMBLIES

PRICE	ITEM	PART #	DESCRIPTION
		1120909	Spring Assembly - Front [Includes 1; 5; 6; 8; 9; 2 of 2, 3 & 7; 4 of 4]
		1120910	Spring Assembly - Rear [Includes 1; 5; 6; 8; 9; 2 of 2, 3 & 7; 4 of 4]
	1	1704489	Locking Collar - 7/8"
	2	1704491	Set Screw - 1/4" x 1/4"
	3	1700369	Hex Head Cap Screw - 3/8" x 1-3/4"
	4	1700429	Flat Washer - 3/8"
	5	1704456	Flange Bearing - 7/8" Hex
	6	1118955	Spring Retainer Weldment
	7	1701580	Nylon Lock Nut - 3/8"
	8	1120735	Spring Shaft
	9	1704476	Torsion Spring - LHW
		1704477	Torsion Spring - RHW

IRONSIDE™ SUPPORT BRACKETS

PRICE	ITEM	PART #	DESCRIPTION
	1	1120742	Support Bracket
	2	1120741	Support Tube

