



## SWAT® & SWAT® SA KITS

### CABLE HOIST

CONTAINER LENGTH	MIGHTY MESH® TARP	SYSTEM TYPE	W/O WET KIT	WET KIT	SELF CONT. W/ REMOTE
20' - 22'	8' x 28'	SWAT®	1809616	1809618	1809621
	9' 8" x 28'	SWAT®	1809617	1809619	1809622
18' - 21'	8' x 28'	SWAT® SA	1810407	1810409	1810411
	9' 8" x 28'	SWAT® SA	1810408	1810410	1810412
12' - 18'	8' x 28'	SWAT® SA	1811710	1811712	1811714
	9' 8" x 28'	SWAT® SA	1811711	1811713	1811715

### HOOK LIFT

CONTAINER LENGTH	MIGHTY MESH® TARP	SYSTEM TYPE	W/O WET KIT	WET KIT	SELF CONT. W/ REMOTE	WET KIT HIGH PRESSURE
20' - 22'	8' x 28'	SWAT®	1809678	1809680	1809682	1809772
	9' 8" x 28'	SWAT®	1809679	1809681	1809683	1809773
18' - 21'	8' x 28'	SWAT® SA	1810413	1810415	1810417	1810423
	9' 8" x 28'	SWAT® SA	1810414	1810416	1810418	1810424
12' - 18'	8' x 28'	SWAT® SA	1811716	1811718	1811720	1811726
	9' 8" x 28'	SWAT® SA	1811717	1811719	1811721	1811727

## WASTE & RECYCLING FABRIC MATERIALS

### VINYL TARP

STANDARD COLOR: PREMIUM COLORS: (Includes a 15% up-charge)



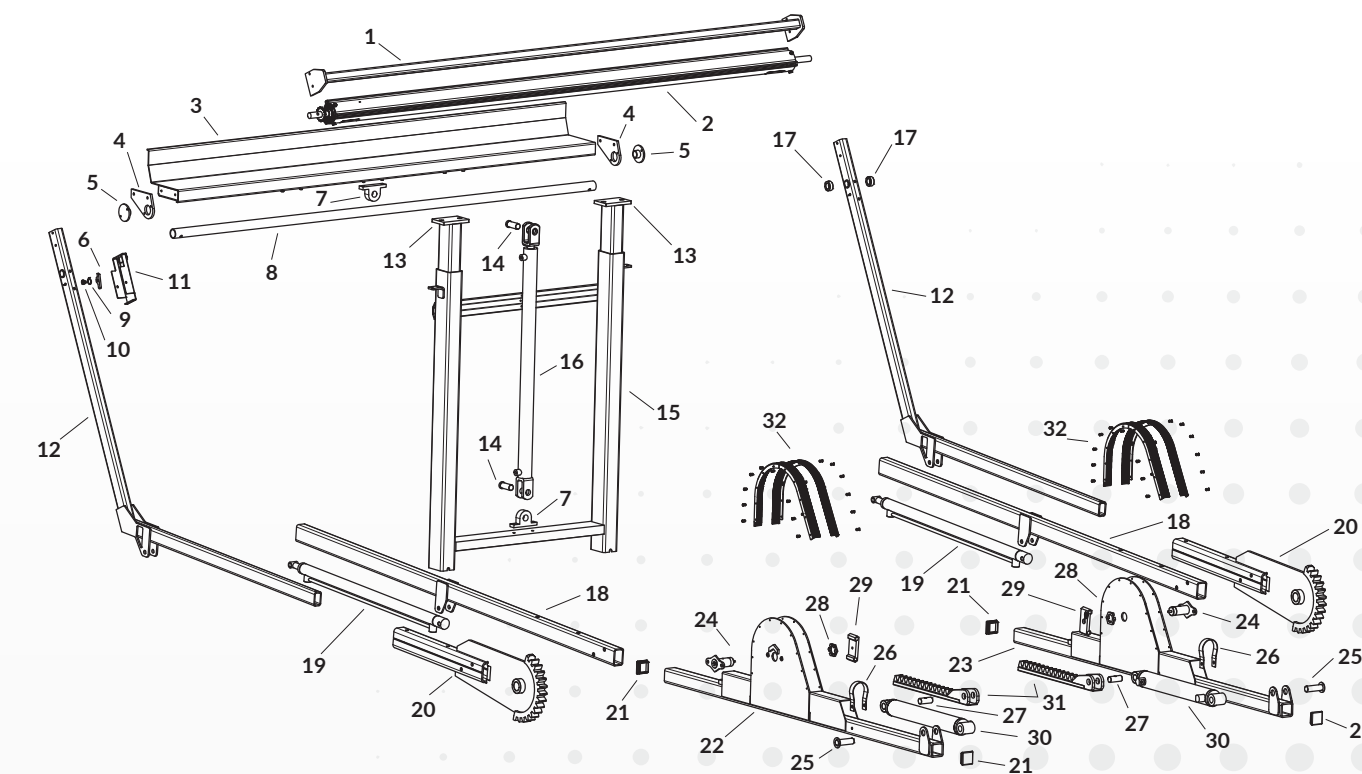
Our fabric is the most consistent in color year to year. We do not guarantee exact color match from cover to cover. (Occasional sheen variation can create the appearance that color slightly varies.) The above colors may not reflect the exact tarp color.

### MESH TARP

<p><b>MIGHTY MESH®</b> • Strongest Truck Tarp</p>	<p><b>KNITTED BLACK</b> • Designed Specially for Hy-Tower™ and Sidewinder™ 350 • Rip Resistant</p>	<p><b>ORANGE GRID</b> • Mesh for Sidewinder™ II and Sidewinder™ 350 Applications</p>
<p><b>BLACK</b> • Heavy-Duty Mesh for Dump Truck &amp; Trailer Applications</p>	<p><b>MULTI-COLOR PVC</b> • Industry Standard Tarp Material</p>	
<p><b>BLACK GRID</b> • Mesh for Sidewinder™ II and Double-Flip™ Applications</p>	<p><b>WHITE POLYESTER</b> • Good for Cold-Weather</p>	<p>Scan the QR code for additional Mighty Mesh® product information.</p>

## REPLACEMENT PARTS FOR SWAT®

NO.	DESCRIPTION	DONOVAN® P/N	COMP. P/N	NO.	DESCRIPTION	DONOVAN® P/N	COMP. P/N
1	Stabilizer Bar	1808873	HR4753	19	Lower Arm Cylinder - 36" Stroke	1808892	HR4752
2	Replacement Roller Bar	1803805	H7002C	20	Pivot Gear Arm	1808887	HR4760
3	Tarp Roll Base Rest	1808872	HR4505-2	21	Square End Plug	1808846	HR4548A
4	Tarp Tube Bracket Set	1810063	HR4756	22	Complete Gear/Pivot Assembly - Left Side	1809355	HR4762A
5	Tarp Tube Cap	1809148	HR4757	23	Complete Gear/Pivot Assembly - Right Side	1809360	HR4761A
6	Ratchet Pawl	1809209	HR4788	24	Pivot Pin Assembly	1809284	A3881KIT
7	Gantry Cyl. Clevis Eye	1808869	H7032	25	Rack Cylinder Mount. Pin	1808883	A3883
8	Tarp Tube	1808865	HR4758-2	26	Cylinder Loop Strap	1808881	HR4731
9	Pawl Torsion Spring	1808851	HR4786	27	Rack Cylinder Connecting Pin	1809014	D18836
10	Ratchet Pawl Bushing	1808875	HR4787	28	Castle Nut	1809169	HR4785
11	Ratchet Guard Assembly	1809009	HR4789	29	Pivot Hose Guide	1809669	HR4728
12	Upper Arm	1808874	HR4751	30	Rack/Pivot Cylinder- 16" Stroke	1808890	HR4719
13	Gantry Telescoping Leg	1808871	HR4512	31	Rack Gear	1808886	A3868B
14	Clevis Pin - 1" OD	1809013	H7062	32	Brush Guard Kit w/Rivets	1809776	N/A
15	Gantry Base Frame	1808868	HR4515	33	Gantry w/Telescoping Legs Replacement Tarp - 9' 8" x 28' Mighty Mesh®	1809687	HR4511
16	Gantry Cyl. - 36" Stroke	1808891	HR4520		"Fits All" Replacement Tarp - 8' x 28'	1801640	HR4616
17	1" Shaft Locking Collar	1808855	HR4624		Mighty Mesh® w/Flaps & Hook Lift Cutout - 9'8"	1809675	N/A
18	Lower Arm	1808879	HR4750		Mighty Mesh® & Hook Lift Cutout - 8' x 28'	1809674	N/A



Remember that utilizing non-Genuine Shur-Co® and Donovan® parts can void your warranty agreement. All Durabuilt™ motors featured on Shur-Co® and Donovan® Construction and Waste products are 90:1 gear ratio provides extra torque.

DEMAND THE BEST, DEMAND SHUR-CO®

WWW.SHURCO.COM | 1.800.474.8756

SC003GF-1223



SHUR-CO® & DONOVAN®

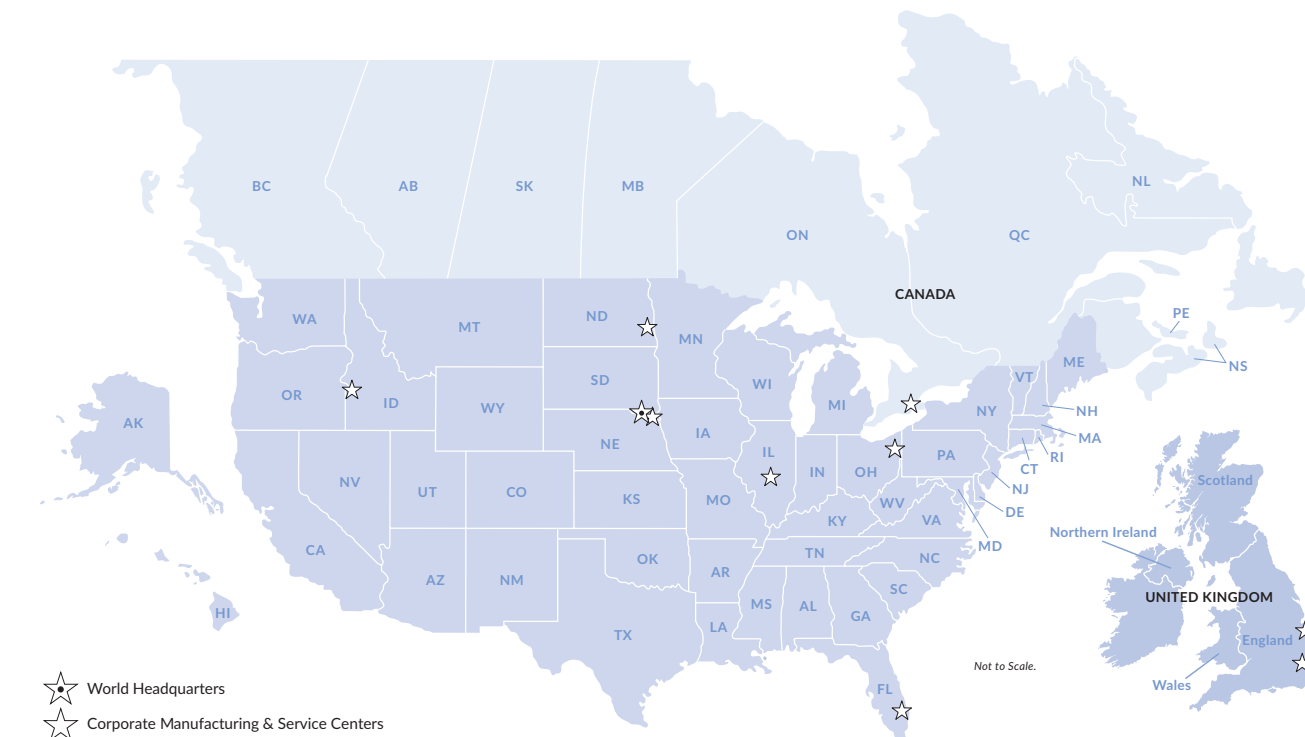
TARP SYSTEMS & ACCESSORIES

## WASTE & RECYCLING PRODUCT APPLICATIONS



DEMAND THE BEST, DEMAND SHUR-CO®

WWW.SHURCO.COM | 1.800.474.8756



★ World Headquarters  
★ Corporate Manufacturing & Service Centers

## OUR BUSINESS IS COVERING YOURS!®

Our employees go the extra mile to provide our customers with superior-quality products. They take pride in their jobs and workmanship. Attention to detail has earned us the respect of the tarping industry during our 70 years of business. Shur-Co's innovative team of engineers and thorough research-and-development staff are striving to make our products the very best they can be. Stringent quality assurance testing is ongoing, and customer input is given the utmost consideration. Our goal is always to make our products the hands-down best choice in the industry.

## WHEN YOU NEED TO BE SURE, MAKE IT SHUR-CO®

### SERVING YOU WORLDWIDE

Service and Distribution on Six Continents

<p><b>WORLD HEADQUARTERS</b> Yankton, SD 1.800.474.8756</p>	<p><b>SHUR-CO® of FLORIDA</b> Stuart, FL 1.800.327.8287</p>	<p><b>SHUR-CO® of IDAHO</b> Caldwell, ID 1.208.455.1046</p>	<p><b>SHUR-CO® of ILLINOIS</b> Decatur, IL 1.866.356.0246</p>
<p><b>SHUR-CO® of N. DAKOTA</b> Fargo, ND 1.877.868.4488</p>	<p><b>SHUR-CO® of S. DAKOTA</b> Vermillion, SD 1.605.658.1020</p>	<p><b>SHUR-CO® of OHIO</b> Rootstown, OH 1.866.356.0242</p>	<p><b>SHUR-CO® of CANADA</b> Brantford, ON 1.800.327.8287</p>
<p><b>SHUR-CO® of UK</b> Rochester, Kent +44.1634.862363</p>	<p><b>SHUR-CO® of DAWBARN</b> Wisbech +44.1945.461.741</p>		

**SHUR-CO® SALES TEAM**  
Our team consistently strives to offer our customers superior products and exceptional service.

**DEALER LOCATOR PORTAL**  
Let us help you find an authorized Shur-Co® dealer in your area. For questions, call 1.800.437.4172.



@GenuineShurCo



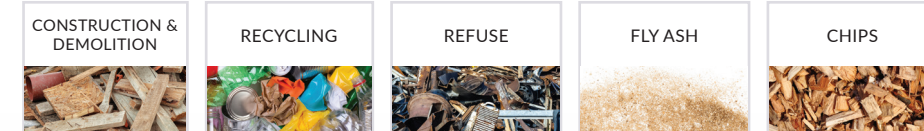


## MAX COVERAGE CAPABILITY

	10'	20'	30'	40'	50'	60'	70'
<b>VAN &amp; TRANSFER TRAILERS</b>							
Sidewinder™ II							
Double-Flip™							
Super Duty Shur-Lok®							
4500 Series HD							
APEX™							
Arm-Matic™							
<b>ROLL-OFF TRUCKS &amp; TRAILERS</b>							
SWAT®							
SWAT® SA							
Quick-Flip4™							
Hy-Tower™							
<b>ROLL-OFF CONTAINERS</b>							
Premium Belt N' Ratchet (PBR)							
Donovan® Belt & Ratchet (DBR)							

No matter what you're hauling recycling, refuse, or fly ash, our products are the best option to keep your loads protected and secure. Each product offers unique features to produce the best results during travel. For more information on all products, visit [www.shurco.com](http://www.shurco.com).

## WHAT ARE YOU HAULING?



	CONSTRUCTION & DEMOLITION	RECYCLING	REFUSE	FLY ASH	CHIPS
<b>VAN &amp; TRANSFER TRAILERS</b>					
Sidewinder™ II	✓	✓	✓		✓
Double-Flip™	✓	✓	✓		✓
Super Duty Shur-Lok®	✓	✓	✓		✓
4500 Series HD	✓	✓	✓	✓	✓
APEX™	✓	✓	✓		✓
Arm-Matic™	✓	✓	✓		✓
<b>ROLL-OFF TRUCKS</b>					
SWAT®	✓	✓	✓		✓
SWAT® SA	✓	✓	✓		✓
Quick-Flip4™	✓	✓	✓		✓
Hy-Tower™	✓	✓	✓		✓
<b>ROLL-OFF CONTAINERS</b>					
Premium Belt N' Ratchet (PBR)	✓	✓	✓	✓	✓
Donovan® Belt & Ratchet (DBR)	✓	✓	✓	✓	✓



### SIDEWINDER™ II

The original single-lid covering system! The Sidewinder™ II has modular and interchangeable components that fit either side of the trailer.

- Universal Components (Fit Either Side of Trailer)
- Right Side/Left Side Mounting Hinges (Mount to Either Side)
- Electric/Hydraulic Power Unit (Self Contained)



### DOUBLE-FLIP™

The Double-Flip™ opens and closes in under 10 seconds! Simple to operate, easy to maintain and affordable. Designed to cover open-top transfer trailers with a hydraulic power gantry and tarp roller that operates off the trailer's hydraulics.

- HD Steel Pivot Arms
- Hydraulic (Wet) Valve Kit
- Lower Profile than Single Lid System

### SUPER DUTY SHUR-LOK®

Shur-Lok® provides you with watertight dependability, for increased productivity and less downtime – because more loads mean more profit.

- Shur-Flex™ Crank Arm
- Durabow™
- Turning Point™ Bow System
- Flexible Easy-Off Tarp Stop



### APEX™

The APEX™ (patent pending) chip and refuse trailer tarping system is the newest addition to Shur-Co's diverse line of industry leading covering systems for trucks and trailers.

- Covers Chip/Refuse Loads 24" Above the Trailer Top Rail
- Fits Trailers w/Reduced Spacing Between the Tractor (Cab) and the Trailer
- Superior Motor & Circuit Protection



### 4500 SERIES HD

Featuring an American-made motor with an all-metal gearbox and a magnetic brake! Heavy-duty extruded aluminum torsion arms are equipped with durable elbows to move smoothly over loads.

- Spiral Spring Returns
- Dual-Pivot Motor Mount
- Custom Motor Shroud



### ARM-MATIC™

For applications from dump trucks to end dumps, Donovan® has the set up you need to meet your tarping needs. Conditions aren't always ideal for using tarps, which is why the Arm-Matic™ was designed for ease-of-use and ease-of-repair.

- Tarp Spool w/ Side Plates
- Galvanized Steel Crossover Bar - 1 Piece
- Durabuilt™ Motor w/ 3-Year Warranty



### SWAT®

A better-built roll-off tarp solution! SWAT® was designed with the end user in mind. We've taken the technology and components of existing systems and built a better product!

- High-Quality Roller Bar Design w/Durable Bearings Provides for a Longer Life
- Gear and Rack Eliminates Slippage
- Tower Mount Plates Fit More Hoist Configurations



### QUICK-FLIP4™

The Quick-Flip4™ has unbreakable aluminum arms and a roll-off tarp system for single-axle, multi-axle and trailers.

- Wireless Remote Operation
- Tarp Tower Ships Pre-Assembled from Factory
- Easily Relocatable Pivot Point if/when You Add Longer Containers to Your Fleet



### PREMIUM BELT N' RATCHET (PBR)

If you're in the business of transporting light yet bulky materials like wood chips and trash, you'll find a Premium Belt n' Ratchet is the perfect tarping system. It allows you to heap your loads above the bows and still keep your tarp tight.

- Pinless Offset Retainer
- Hold-Down Selection
- Flexible Easy-Off Tarp Stop



### SWAT® SA

The SWAT® SA has a durable steel arm system for adjustable roll-off tarp systems for 12' - 21' long containers.

- SWAT® SA (Straight Arm) Covers 12' - 16' OR 14' - 18' Containers (Pivot Location Determines)
- SWAT® SA (Bent Arm) Covers 18' - 21' Containers
- Industry Leading Mighty Mesh® Tarp



### HY-TOWER™

The Hy-Tower™ semi-automatic roll-off tarp system covers containers from 15 - 40 cubic yards, with a gantry that raises either 12' or 15' above the truck frame and then tucks compactly behind the cab during transport.

- 12V Self-Contained Electric/Hydraulic Power Unit
- Spring-Loaded Extruded Aluminum Roller Bar



### DONOVAN® BELT & RATCHET

- Ratchet Hold-Downs
- Standard Crank Arm
- Standard or Easy-Off Tarp Stops – Easy-Off Tarp Stops are Super Strong Construction
- Ideal for Subzero Conditions
- 18-Oz. Vinyl Tarp



## COMMON REPLACEMENT TARPS

### ROLL-OFF ARM SYSTEM REPLACEMENT TARPS

PART #	DESCRIPTION	TARP SIZE	FABRIC
1801686	Tarp, Fits All Roll-Off Truck	8' x 28"	Mighty Mesh®
1801640	Tarp, Pioneer Replacement	9'8" x 28' w/Flaps	Mighty Mesh®
1801985	Tarp, Fits All Roll-Off Truck	8'4" x 28'	Mighty Mesh®
1808734	Tarp, Fits All Roll-Off Truck	8' x 34' w/Reinforcements	Mighty Mesh®
1808735	Tarp, Fits All Roll-Off Truck	8' x 38' w/Reinforcement	HD Mesh
1808736	Tarp, Fits All Roll-Off Truck	8' x 42' w/Reinforcements	HD Mesh
1809674	Tarp, Fits All Hook Lift Truck	8' x 28'	Mighty Mesh®
1809675	Tarp, Fits All Hook Lift	9'8" x 28' w/Flaps	Mighty Mesh®

### ROLL-OFF HAND TARPS

PART #	TARP SIZE	FABRIC
1801458	12' x 18'	Multi-Color PVC Mesh
1801528	12' x 24'	Multi-Color PVC Mesh
1801529	12' x 26'	Multi-Color PVC Mesh
1801001	12' x 24' w/Reinforced Hem	Knitted Poly Mesh
1801002	12' x 26' w/Reinforced Hem	Knitted Poly Mesh
1801461	12' x 18'	Knitted Poly Mesh
1801375	12' x 24'	18-oz. Vinyl
1801376	12' x 26'	18-oz. Vinyl

### BELT N' RATCHET REPLACEMENT TARPS

PART #	KIT SIZE	TARP SIZE	FABRIC
1902064	45' x 102"	12' x 18'	Gator Mesh
1902065	48' x 102"	12' x 24'	Gator Mesh
1902066	53' x 102"	12' x 26'	Gator Mesh
1902067	45' x 96"	12' x 24' w/Reinforced Hem	Gator Mesh
1902068	48' x 96"	12' x 26' w/Reinforced Hem	Gator Mesh
1902069	53' x 96"	12' x 18'	Gator Mesh

### BELT N' RATCHET REPLACEMENT TARPS

PART #	KIT SIZE	TARP SIZE	FABRIC
1901600	12'	14'3" x 115"	18-oz. Vinyl
1901601	14'	16'3" x 115"	18-oz. Vinyl
1901602	16'	18'3" x 115"	18-oz. Vinyl
1901603	18'	20'3" x 115"	18-oz. Vinyl
1901604	20'	22'3" x 115"	18-oz. Vinyl
1901605	22'	24'3" x 115"	18-oz. Vinyl
1901606	24'	26'3" x 115"	18-oz. Vinyl
1901607	26'	28'3" x 115"	18-oz. Vinyl

### CONTAINER LINER BAGS

PART #	WEIGHT	QUALITY	COLOR
1800144	4-Mil Liner	4 per Box	Black
1800145	6-Mil Liner	2 per Box	Black

### COMPACTOR DIAPERS

PART #	WEIGHT	FABRIC
1800024	5' x 7'	Multi-Color PVC Mesh
1800025	6' x 8'	Multi-Color PVC Mesh

Call for +10 bulk and +20 bulk pricing breaks. Not available on all tarps from all locations. No color option available on Mighty Mesh® and PVC mesh.