



BUILT TO BE THE BEST.

SWAT®

ROLL-OFF TARP SYSTEM

D001FL-0819



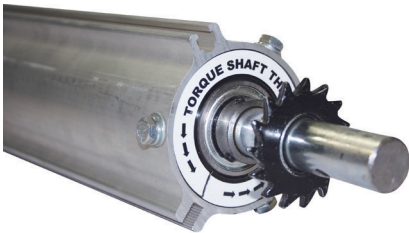
DEMAND THE BEST!

STANDARD FEATURES

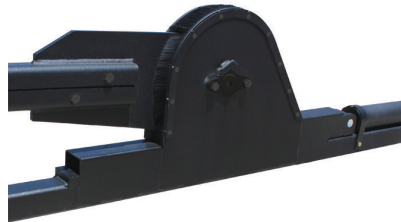
- Hard-Pipe Cylinders with Nitride Coated Rams
- Flanged Gear Pin Bolts
- Precision Cut and Built Gear and Rack
- High-Quality Roller Bar
- Wide Tower Mount Plates
- Pre-Installed LiteALL™ Mounting Brackets



SWAT® REPLACEMENT PARTS



Tarp Roller (Pioneer Replacement)
(P/N 1803805)



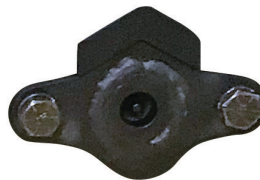
Pivot Assembly
(P/N 1809155 (LS) & 1809160 (RS))



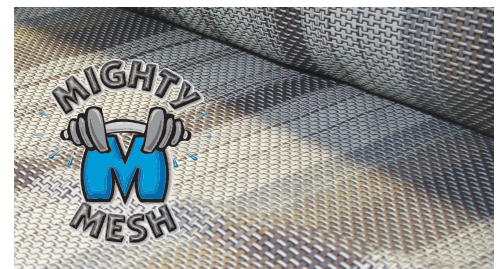
Lower Arm Cylinder (36" Stroke)
w/Hard Pipe (P/N 1808892)



Rack Pivot Cylinder (16" Stroke)
(P/N 1808890)



Flanged & Bolted Gear Pin
Secure & Smooth Arm Rotation



Mighty Mesh® Tarps
(P/N 1801640 & 1801686)

SWAT® SYSTEM WARRANTY Warranty against defects in material and workmanship. Steel components: 3 years from original Shur-Co® invoice date. Tarp roller spring: 3 years from original Shur-Co® invoice date Hydraulic valves: 1 year from original Shur-Co® invoice date Tarp: 90 days from original Shur-Co® invoice date. Warranty details included in SWAT® Owner's Manual.

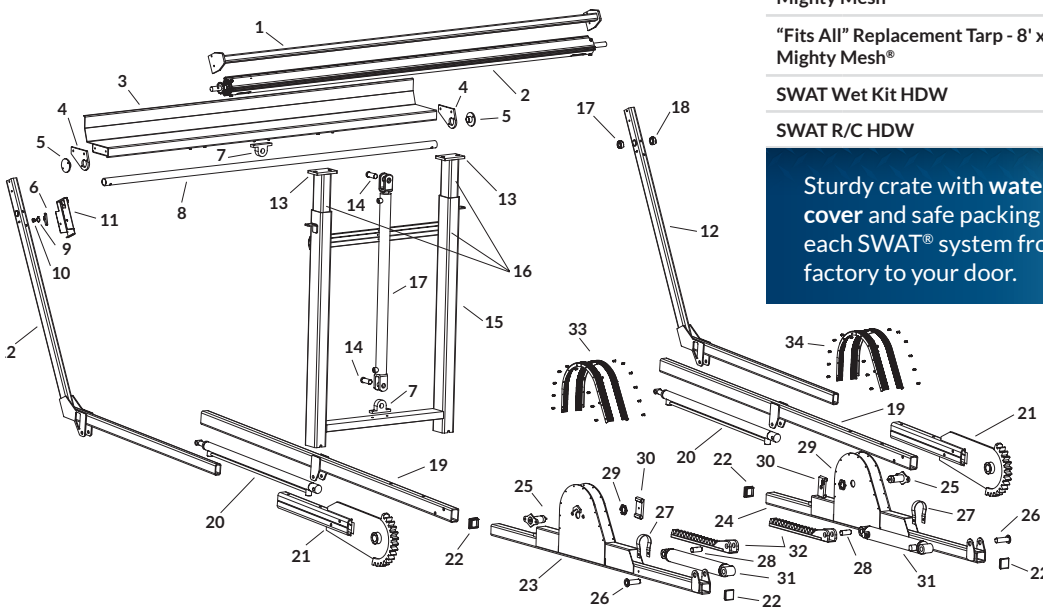


SWAT®

ROLL-OFF TARP SYSTEM

NO.	DESCRIPTION	DONOVAN P/N	COMPETITOR P/N
1	Stabilizer Bar	1808873	HR4753
2	Replacement Roller Bar	1803805	H7002C
3	Tarp Roll Base Rest	1808872	HR4505-2
4	Tarp Tube Bracket	1808866	HR4756
5	Tarp Tube Cap	1809148	HR4757
6	Ratchet Pawl	1809209	HR4788
7	Gantry Cylinder Clevis Eye	1808869	H7032
8	Tarp Tube	1808865	HR4758-2
9	Pawl Torsion Spring	1808851	HR4786
10	Ratchet Pawl Bushing	1808875	HR4787
11	Ratchet Guard Assembly	1809009	HR4789
12	Upper Arm	1808874	HR4751
13	Gantry Telescoping Leg	1808871	HR4512
14	Clevis Pin - 1" OD	1809013	H7062
15	Gantry Base Frame	1808868	HR4515
16	Gantry Base Assembly	1809687	HR4511
17	Gantry Cylinder - 36" Stroke	1808891	HR4520
18	1" Shaft Locking Collar	1808855	HR4624
19	Lower Arm	1808879	HR4750

NO.	DESCRIPTION	DONOVAN P/N	COMPETITOR P/N
20	Lower Arm Cylinder - 36" Stroke	1808892	HR4752
21	Pivot Gear Arm	1808887	HR4760
22	Square End Plug	1808846	HR4548A
23	Complete Gear/Pivot Assembly - Left Side	1809355	HR4762A
24	Complete Gear/Pivot Assembly - Right Side	1809360	HR4761A
25	Pivot Pin Assembly	1809168	A3881
26	Rack Cylinder Mounting Pin	1808883	A3883
27	Cylinder Loop Strap	1808881	HR4731
28	Rack Cylinder Connecting Pin	1809014	D18836
29	Castle Nut	1809169	HR4785
30	Pivot Hose Guide	1808859	HR4728
31	Rack/Pivot Cylinder - 16" Stroke	1808890	HR4719
32	Rack Gear	1808886	A3868B
33	Brush Weldments - Left	1809366	N/A
34	Brush Weldments - Right	1809367	N/A
Replacement Tarp - 9'8" x 28' Mighty Mesh®		1801640	HR4616
"Fits All" Replacement Tarp - 8' x 28' Mighty Mesh®		1801686	N/A
SWAT Wet Kit HDW		1809232	N/A
SWAT R/C HDW		1809398	N/A



Sturdy crate with waterproof cover and safe packing protects each SWAT® system from our factory to your door.



Contact an Authorized Donovan Dealer Near You!