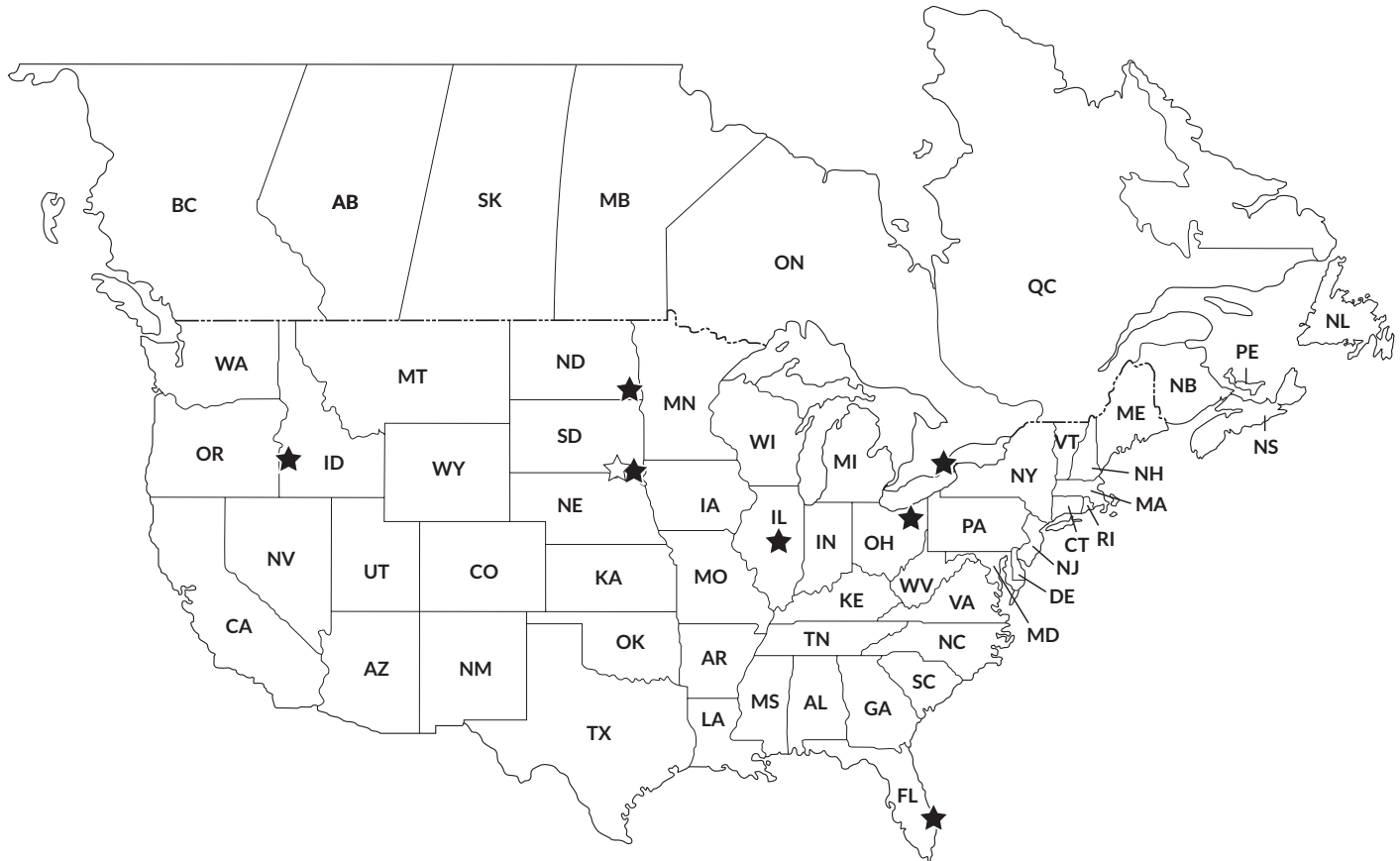




SHURTITE™ RETRACTABLE TARP SYSTEMS	3-4
SHURTITE™ REPLACEMENT PARTS	
Headboard Assemblies	5
Headboard Locks	6
Headboard Components	7
Headboard Accessories/Bolting	8
Bow Assemblies	9-10
Bow Parts	11
Foot Assemblies	12
Wheel Assemblies	12
Wheel Axles	12
Hinge Lifters	13
Lifters	14
Winding Braces	15
Pneumatic Lock Brace	16
Post Assemblies	17
Post/Pocket Assemblies	18
Post Ratchets/Accessories	19
Track Assemblies	20
Tarp Panels	21
Rear Flap Assemblies	22
Over 90 Bar	23
Velcro® Wings	23
Rear Flap Cranks	24
Rear Flap Pulleys	24
Rear Steps	24
Miscellaneous	25
MEASUREMENT SHEETS	26-37
NUMERICAL PARTS LISTING	38-41
TERMS AND CONDITIONS	42

SHUR-CO® DISTRIBUTION CENTERS



- ★ Shur-Co® Branches
- ☆ Shur-Co® Headquarters

World Headquarters
SHUR-CO® of SOUTH DAKOTA
 2309 Shur-Lok St., Yankton
877.474.8726
 FAX: 605.665.0501

Donovan® Brand Headquarters
SHUR-CO® of FLORIDA
 3353 SE Gran Park Way, Stuart
800.327.8287
 FAX: 772.287.0431

SHUR-CO® of CANADA
 490 Egin St., Unit #2
 Brantford, Ontario N3S 7P8
800.265.0823
 FAX: 519.715.3997

SHUR-CO® of IDAHO
 921 Garber St., Caldwell
208.455.1046
 FAX: 208.459.1190

SHUR-CO® of OHIO
 4676 Lynn Rd., Rootstown
866.356.0242
 FAX: 330.297.5599

SHUR-CO® of VERMILLION
 1212 N. Norbeck St., Vermillion
605.658.1020
 FAX: 605.658.1022

SHUR-CO® of ILLINOIS
 3993 E. Mueller Ave., Decatur
866.356.0246
 FAX: 217.877.8270

SHUR-CO® of NORTH DAKOTA
 1746 4th Ave. NW, West Fargo
877.868.4488
 FAX: 701.277.1283

SHUR-CO® UK Limited
 Rochester Airport Est., Unit 41
 Laker Rd.
 Rochester, Kent ME1 3QX
 +44 (0) 1795.473499

Each Shur-Tite™ tarping system comes with standard features. These are bulleted (•) and noted as Standard in bold type in the STANDARD FEATURES AND OPTIONS chart below right, like the 22-ounce vinyl tarp in black, green, gray or red, plus a sky-light panel, listed below right. Any change from these standard features will affect the cost of your system. This is noted as an “add,” “deduct” or no charge “N/C.”

If you want your tarp in a non-standard color, for example, you'll need to add \$1,155.00 to your total cost (call to see what colors are available). Ink and digital graphics can also be ordered for an additional charge (please call for a quote).

NOTE: All prices in this catalog are subject to change without notice. All components other than standard may require a non-refundable engineering fee of \$75 and manufacturing fee of \$25. Call for details.

SHURTITE™ RETRACTABLE TARPS



Safe, fast and lightweight customizable tarping! ShurTite™ systems save time and money, allowing one-person operation and reducing injury by opening and closing safely from the ground.

Lightweight and aerodynamic, ShurTite™ adds just 1,750 lbs. to a standard 48' flatbed trailer. It compresses to 8' and locks to any spot on its aerospace-quality high-strength aluminum track. A replaceable polymer insert makes rolling easy and extends track life. Rubber seals between track and deck accommodate factory-mounted winches and keep out road debris.

Choose from standard system heights of 72", 84" or 100" configurations for flatbed trailers and straight trucks – or let our in-house engineering staff design around your specific needs. ShurTite™ is backed by a two-year front-to-back warranty.

COMPLETE KITS | Standard 102" Width Kits

	TRAILER TYPE	TRAILER LENGTH
2000562	STRAIGHT TRUCK	12FT - 15FT
2000563	STRAIGHT TRUCK	16FT - 19FT
2000564	STRAIGHT TRUCK	20FT - 26FT
2000565	STRAIGHT TRUCK	27FT - 33FT
2000566	FLATBED	34FT - 40FT
2000567	FLATBED	41FT - 48FT
2000568	FLATBED	49FT - 53FT
2000569	STEP DECK	48FT
2000570	STEP DECK	53FT
2000571	DOUBLE DROP	48FT - 53FT

NOTE: To include an access door, please add it from the Accessories chart at right for an additional \$578 to the prices listed above.

GEN3™ UPGRADE

STANDARD FEATURES AND OPTIONS

HEADBOARD – EXTRUDED ALUMINUM	
• HIGH STRENGTH – 3/16IN SHEET	STANDARD
ACCESSORIES	
INSIDE LIGHTS (2)	ADD
OUTSIDE LIGHTS (5)	ADD
STAINLESS STEEL HEADBOARD WRAP	ADD
NOSE CONE - WHITE OR BLACK	ADD
OVER HEIGHT (OVER 100IN H)	ADD
ACCESS DOOR (32IN X 60IN STANDARD)	ADD
CHAIN BOX	ADD/SIDE
DUNNAGE RACK	ADD/SIDE
FRONT BUILD-OUT - 8IN	ADD
UTILITY SHELF	ADD
FRONT LOCKS	
• GROUND OPERATED	STANDARD
TRACK – HIGH-QUALITY ALUMINUM*	
• MAGNUM PROFILE	STANDARD
TITETRAX™ PROFILE	
TRACK GUARD	ADD
FOLDING TRACK EXTENSION	ADD
WHEELS	
• MAINTENANCE-FREE ASSEMBLIES	STANDARD
REAR DOOR/FLAP	
• ROPE & PULLEY OR CRANK	STANDARD
ALUMINUM REAR DOORS	ADD
LIFTERS – LIGHTWEIGHT ALUMINUM	
• HINGED ASSEMBLY	STANDARD
ADDT'L LIFTS – FOR MORE LOADING CLEARANCE	ADD
BOWS – MODULAR DESIGN	
• ALUMINUM – 1-3/8IN INSIDE RADIUS CORNERS	STANDARD
TENSIONING	
• WINDING BRACE	STANDARD
REAR POST W/RATCHETS	ADD
PNEUMATIC LOCK BRACE – FOR NEW KITS	ADD
PNEUMATIC LOCK BRACE – FOR RETROFITS	ADD
TARP OPTIONS	
• 22OZ. VINYL TARP – CHOICE OF STD COLORS	STANDARD
• SKYLIGHT ROOF	STANDARD
NON-STANDARD COLORS**	ADD
INK GRAPHICS	ADD
DIGITAL GRAPHICS	ADD
ACCESSORIES	
STAINLESS STEEL LIGHT BARS	ADD
REAR STEP - PASSENGER SIDE	ADD

*Track sections come pre-cut to length on systems up to 48'. For trailers longer than 48', sections will come in two pieces: 48' plus remaining length.

**Call to check on non-standard color availability.

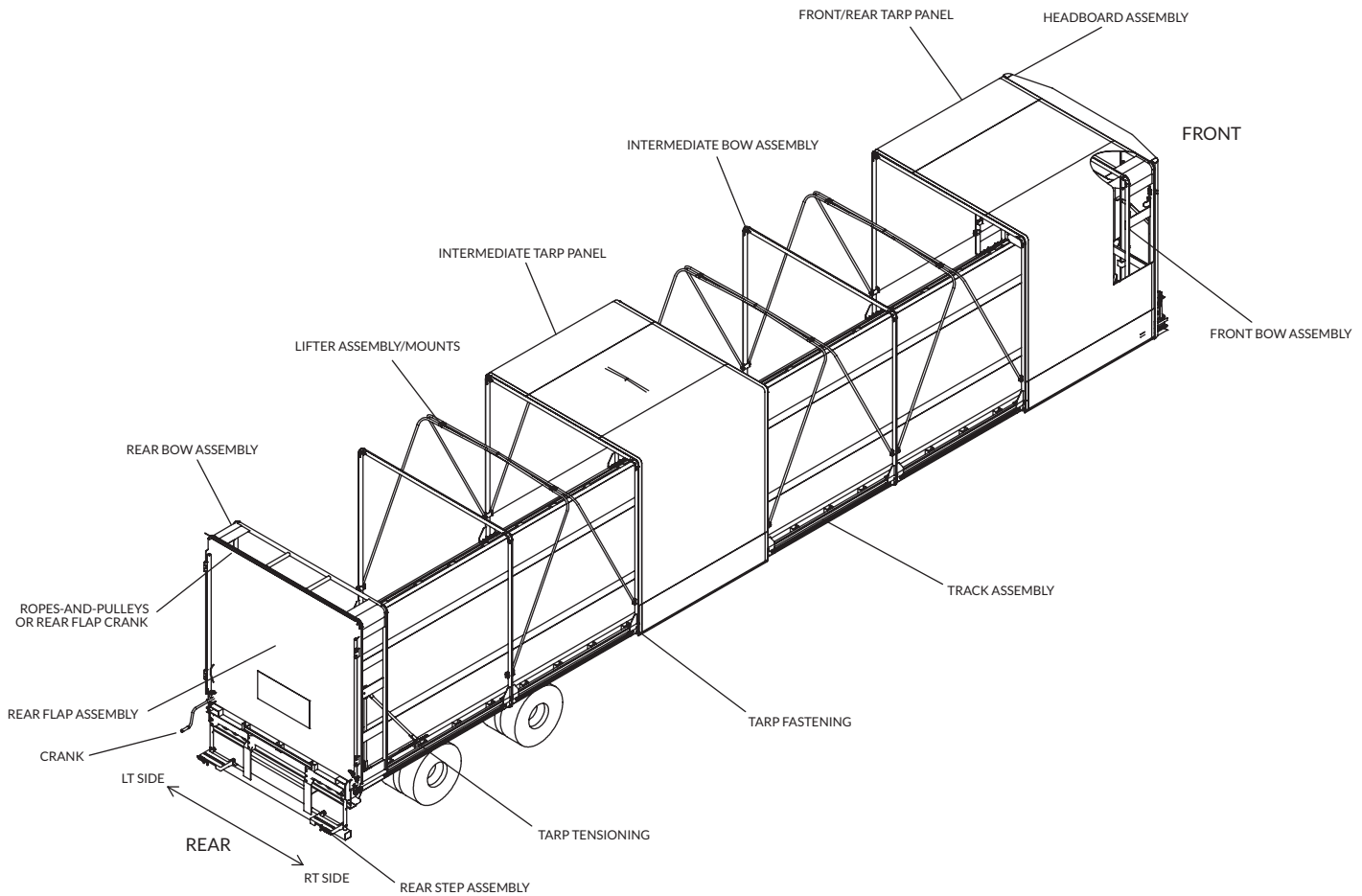
GENUINE SHURTITE™ REPLACEMENT PARTS

Genuine ShurTite™ replacement parts are proven to fit and function better. For quality performance, go with the name you can trust. Remember that utilizing non-Genuine parts voids your warranty. For more information, call our ShurTite™ distribution centers at 844.573.9322 (USA) and 800.265.0823 (Canada).

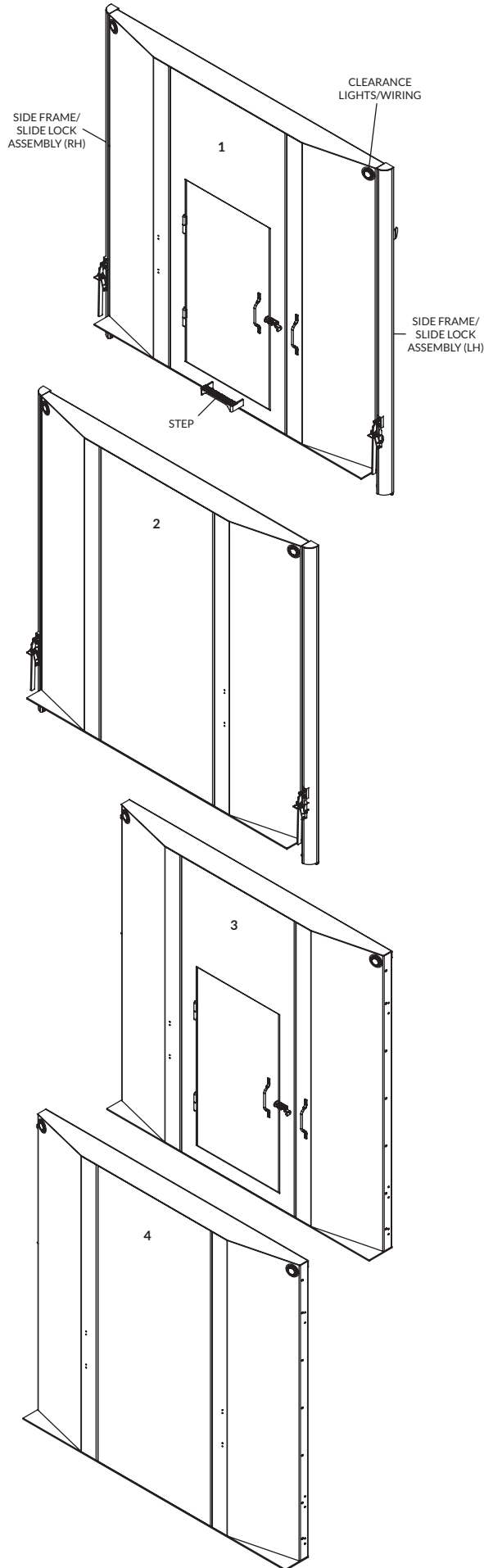
NOTE: All prices in this catalog are subject to change without notice. All components other than standard may require a non-refundable engineering fee of \$75 and manufacturing fee of \$25. Call for details.

SYSTEM AND COMPONENT IDENTIFICATION

- 1) FOR TITETRAX™ AND MAGNUM™ SYSTEMS, get the serial number and job number from the aluminum tag located at eye level on the driver side of the headboard.
- 2) FOR CLASSIC SYSTEMS, get the last five (5) digits of the trailer VIN number.
- 3) Fill out the measurement sheet (*see pages 26-35*) that most closely resembles your trailer/truck.



HEADBOARD ASSEMBLIES - MAGNUM™

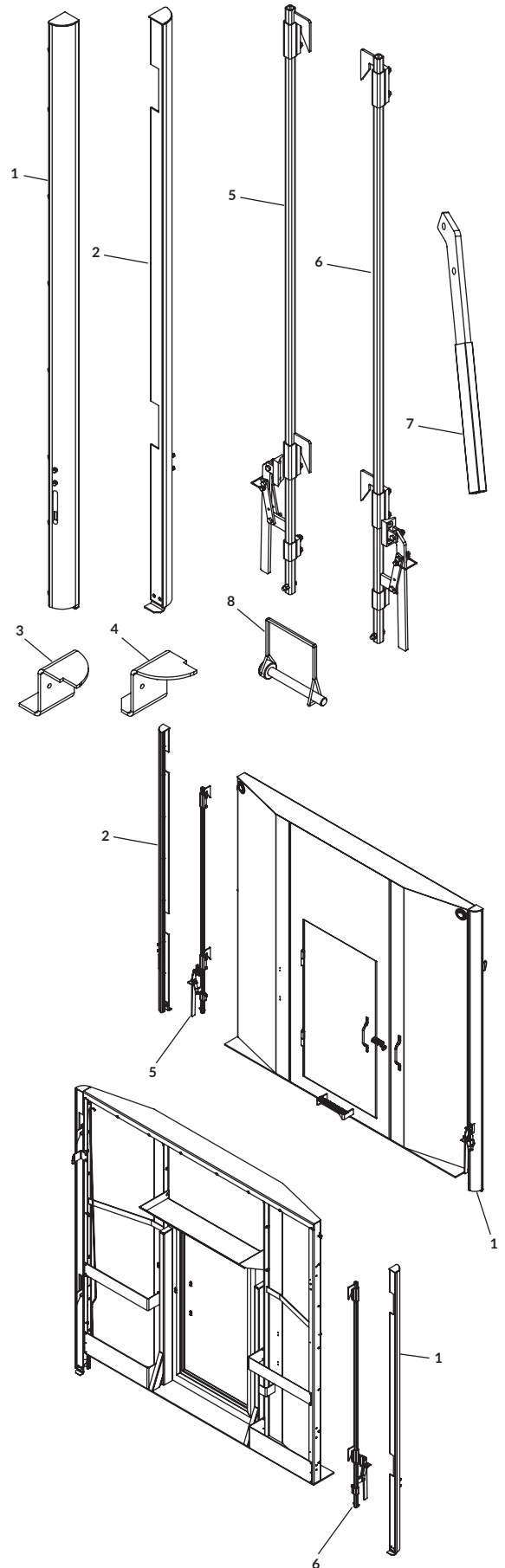


PRICE	ITEM	PART #	DESCRIPTION
	1	2000626	HEADBOARD ASSY W/DOOR/STEP/LOCK 100H 108W
		2001140	HEADBOARD ASSY W/DOOR/STEP/LOCK 84H 108W
	2	2001485	HEADBOARD ASSY NO DOOR W/WING/LOCK 100H 108W
		2002092	HEADBOARD ASSY NO DOOR W/WING/LOCK 84H 108W
		2001156	HEADBOARD ASSY NO DOOR W/WING/LOCK 72H 108W
		2001356	HEADBOARD ASSY DOT STYLE W/LOCKS
	3	2000195	HEADBOARD ASSY W/DOOR NO WING/STEP 100H 108W
		2000917	HEADBOARD ASSY W/DOOR NO WING/STEP 84H 108W
	4	2000963	HEADBOARD ASSY NO DOOR/WING 100H 108W
		2001290	HEADBOARD ASSY NO DOOR/WING 84H 108W
		2001150	HEADBOARD ASSY NO DOOR/WING 72H 108W
		2001357	HEADBOARD DOT STYLE NO DOOR/WING 72H 108W

GENUINE SHURTITE™ REPLACEMENT PARTS

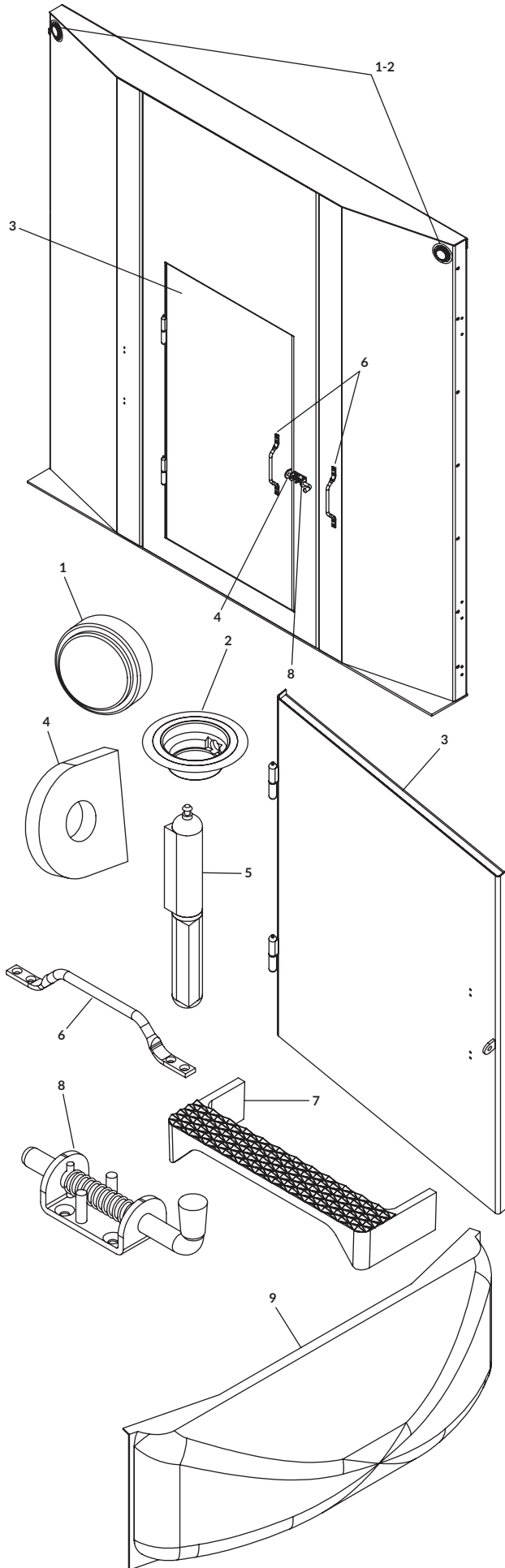
HEADBOARD LOCKS - MAGNUM™

PRICE	ITEM	PART #	DESCRIPTION
	1	2000627	SIDE FRAME ASSY HDBD 100H LT
		2001011	SIDE FRAME ASSY HDBD 84H LT
		2001014	SIDE FRAME ASSY HDBD 72H LT
	2	2000628	SIDE FRAME ASSY HDBD 100H RT
		2000630	SIDE FRAME ASSY HDBD 84H RT
		2001015	SIDE FRAME ASSY HDBD 72H RT
	3	2000183	SIDE FRAME BOTTOM COVER LT
	4	2000184	SIDE FRAME BOTTOM COVER RT
	5	2000532	FRONT LOCK ASSY 96H/100H/102H LT
		2000235	FRONT LOCK ASSY 84H LT
		2001007	FRONT LOCK ASSY 72H LT
	6	2000534	FRONT LOCK ASSY 96H/100H/102H RT
		2000236	FRONT LOCK ASSY 84H RT
		2001008	FRONT LOCK ASSY 72H RT
	7	2000685	FRONT LOCK HANDLE
	8	2000192	FRONT LOCK SAFTY CLIP ASSY



GENUINE SHURTITE™ REPLACEMENT PARTS

HEADBOARD COMPONENTS - MAGNUM™

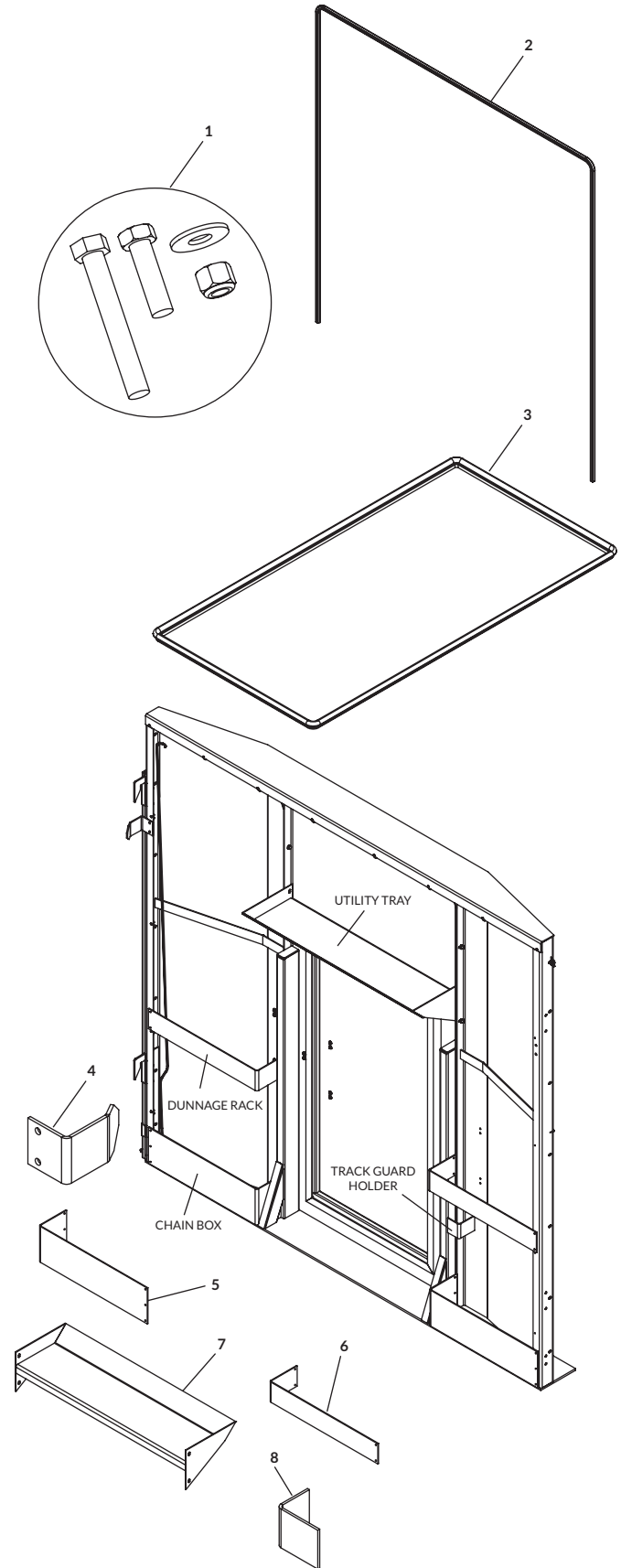


PRICE	ITEM	PART #	DESCRIPTION
	1	2000314	LIGHT AMBER CLEARANCE LED
	2	2000315	GROMMET LIGHT 2.5 OPEN BACK
	3	2000767	HEADBOARD MAN DOOR ASSY MAGNUM
	4	2000307	HEADBOARD LOCK TAB DOOR MAGNUM
	5	2000305	HINGE MAN DOOR HEADBOARD W/ GREASE FITTING
	6	2000173	HANDLE BOLT-ON HEADBOARD
	7	2000172	STEP SINGLE CAST AL HEADBOARD
	8	2000003	LOCK SPRING BOLT 3IN
	9	2000631	HEADBOARD NOSE CONE WHITE
		2000837	HEADBOARD NOSE CONE BLACK

GENUINE SHURTITE™ REPLACEMENT PARTS

HEADBOARD ACCESSORIES/BOLTING - MAGNUM™

PRICE	ITEM	PART #	DESCRIPTION
	1	2000125	HEADBOARD MOUNT KIT FASTENERS MAGNUM
	2	2000573	SEAL HEADBOARD 27FT MAGNUM
	3	2000625	DOOR SEAL HEADBOARD 15FT MAGNUM
	4	2000180	BOW GUIDE PLATE
	5	2000310	CHAIN BOX HEADBOARD 1 SIDE MAGNUM
	6	2000312	DUNNAGE RACK HEADBOARD MAGNUM
	7	2000757	UTILITY TRAY ASSY HEADBOARD MAGNUM
	8	2000936	TRACK GUARD HOLDER MAGNUM



GENUINE SHURTITE™ REPLACEMENT PARTS

BOW ASSEMBLIES - TITETRAX™

PRICE	ITEM	PART #	DESCRIPTION
	1	2001451	BOW FRONT ASSY 100H 108W FLTBD TITETRAX
	2	2001452	BOW INTERMEDIATE ASSY 100H 108W FLTBD TITETRAX
	3	2001453	BOW REAR ASSY 100H 108W FLTBD TITETRAX
		2001823	BOW REAR ASSY VELCRO 100H 108W FLTBD TITETRAX
	7	2001459	BOW LOCK ASSY FRONT/REAR TITETRAX

NOTE: Parts are for standard 100" H systems; state system height for other sizes.

BOW ASSEMBLIES - MAGNUM™

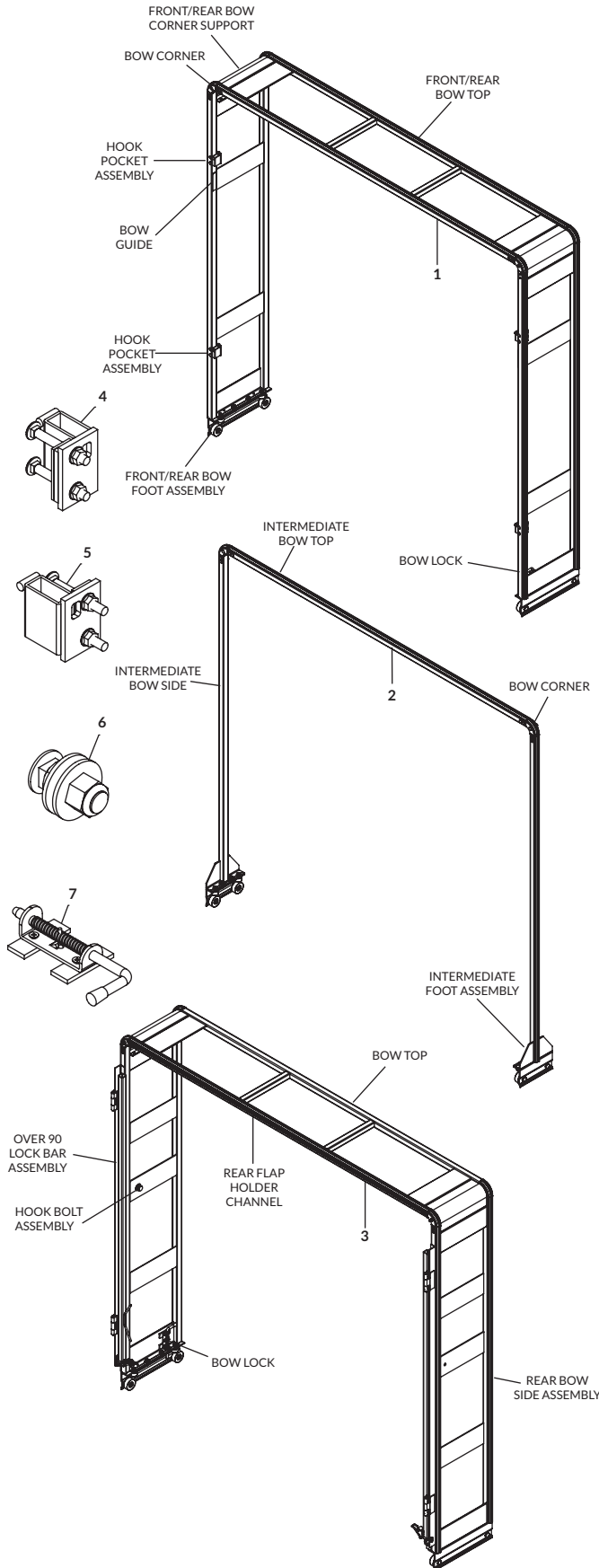
PRICE	ITEM	PART #	DESCRIPTION
	1	2000701	BOW FRONT ASSY 100H 108W MAGNUM
	2	2000162	BOW INTERMEDIATE ASSY 100H 108W MAGNUM
	3	2000715	BOW REAR ASSY 100H 108W MAGNUM
		2001350	BOW REAR ASSY VELCRO 100H 108W MAGNUM
	7	2000002	BOW LOCK SPRING BOLT ASSY FRONT/REAR MAGNUM

NOTE: Parts are for standard 100" H systems; state system height for other sizes.

BOW ASSEMBLIES- TITETRAX™/MAGNUM™

PRICE	ITEM	PART #	DESCRIPTION
	4	2000910	HOOK POCKET ASSY LT (2)
	5	2000911	HOOK POCKET ASSY RT (2)
	6	2000584	HOOK BOLT ASSY

NOTE: Parts are for standard 100" H systems; state system height for other sizes.

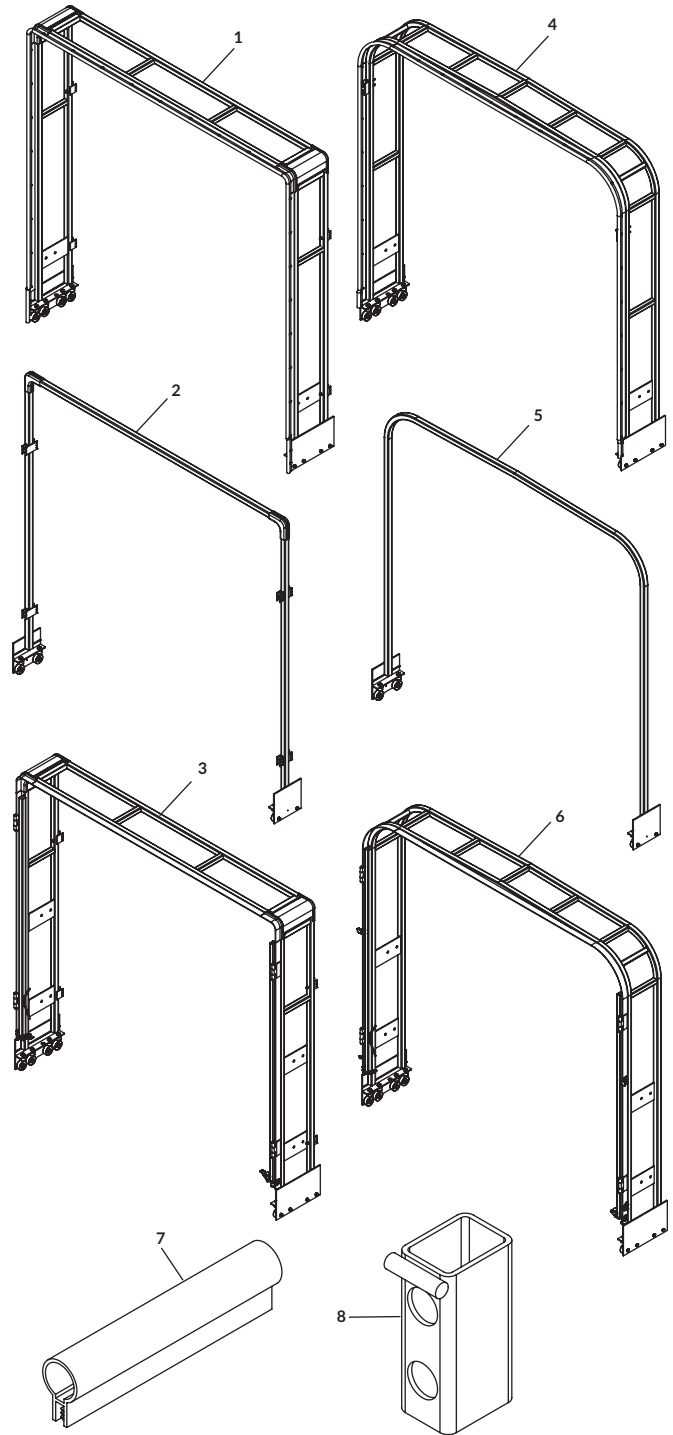


GENUINE SHURTITE™ REPLACEMENT PARTS

BOW ASSEMBLIES - CLASSIC

PRICE	ITEM	PART #	DESCRIPTION
	1	2000538	BOW FRONT ASSY 100H 108W FLTBD TOP CLASSIC
	2	2000539	BOW INTERMEDIATE ASSY 100H 108W FLTBD TOP CLASSIC
	3	2001023	BOW REAR ASSY 100H 102W FLTBD TOP CLASSIC
	4	2001422	BOW FRONT ASSY RD CORNER 100H 108W CLASSIC
	5	2001420	BOW INTERMEDIATE ASSY RD CORNER 100H 108W CLASSIC
	6	2001423	BOW REAR ASSY RD CORNER 100H 108W CLASSIC
	7	2000024	SEAL BUBBLE STRAIGHT PER FT CLASSIC
	8	2000330	HOOK POCKET STL LOCK BAR BLACK CLASSIC

NOTE: Parts are for standard 100" H systems; state system height for other sizes.



GENUINE SHURTITE™ REPLACEMENT PARTS

BOW PARTS - MAGNUM™

PRICE	ITEM	PART #	DESCRIPTION
	1	2000612	BOW TOP CHANNEL TUBE MAGNUM
	2	2000745	BOW TOP ASSY FRONT/REAR 19.5 MAGNUM
	3	2000748	BOW SIDE ASSY FRONT LT 100H MAGNUM
		2000747	BOW SIDE ASSY FRONT RT 100H MAGNUM
	4	2000751	BOW SIDE ASSY REAR 100H SQ TUBE LT MAGNUM
		2000752	BOW SIDE ASSY REAR 100H SQ TUBE RT MAGNUM
	5	2001521	BOW SIDE ASSY REAR 100H FOR VELCRO FLAP LT
		2001522	BOW SIDE ASSY REAR 100H FOR VELCRO FLAP RT
	6	2000163	BOW SIDE ASSY INTERMEDIATE 100H ASSY W/O FOOT MAGNUM
	7	2000005	TARP HOLDER MAGNUM

NOTE: Parts are for standard 100" H systems; state system height for other sizes.

BOW PARTS - TITETRAX™

PRICE	ITEM	PART #	DESCRIPTION
	1	2001461	BOW TOP CHANNEL TUBE FLTBD TITETRAX
	2	2001457	BOW TOP ASSY FRNT/REAR 19.5 FLTBD TITETRAX
	3	2001454	BOW SIDE ASSY FRONT 100H LT TITETRAX
		2001458	BOW SIDE ASSY FRONT 100H RT TITETRAX
	4	2001456	BOW SIDE ASSY REAR 100H LT TITETRAX
		2001476	BOW SIDE ASSY REAR 100H RT TITETRAX
	5	2001824	BOW SIDE ASSY REAR TTRAX 100H FOR VELCRO FLAP LT
		2001825	BOW SIDE ASSY REAR TTRAX 100H FOR VELCRO FLAP RT
	6	2001455	BOW SIDE ASSY INTERMEDIATE 100H W/O FOOT TITETRAX
	7	2001445	TARP HOLDER TITETRAX

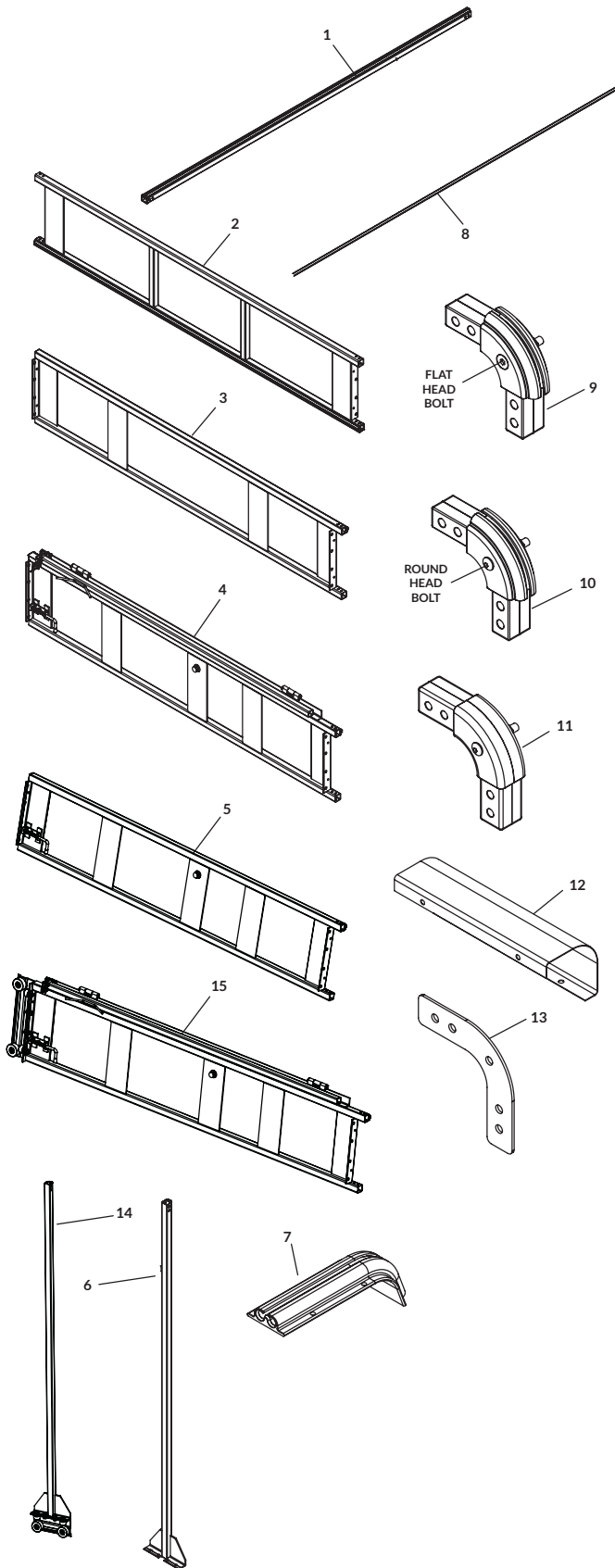
NOTE: Parts are for standard 100" H systems; state system height for other sizes

BOW PARTS - TITETRAX™/MAGNUM™

PRICE	ITEM	PART #	DESCRIPTION
	8	2000157	REAR BOW FLAP EXTRUSION (CUT 102IN)
	9	2000742	CORNER CHANNEL TUBE FRONT/REAR ASSY
	10	2000004	CORNER CHANNEL TUBE INTERMEDIATE ASSY
	11	2000746	CORNER CAST SQUARE TUBE ASSY
	12	2000132	BOW CORNER SUPPORT FRONT/REAR
	13	2000131	CORNER SUPPORT CHANNEL TUBE BRACKET
	14	2000615	BOW SIDE INTERM MAG 100H ASSY W/ FOOT
	15	2001134	BOW SIDE REAR ASSY RT 100H FT/90BAR SQT
		2001133	BOW SIDE REAR ASSY LT 100H FT/90BAR SQT

*Front and rear bows before 2015 have two (2) each of P/Ns 2000742 and 2000004 while those purchased after 2015 have two (2) each of P/Ns 2000742 and 2000746.

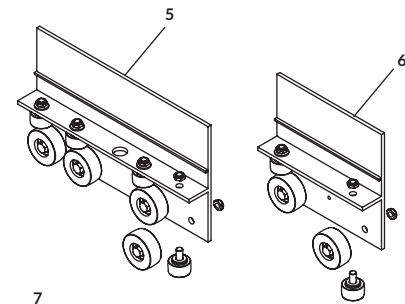
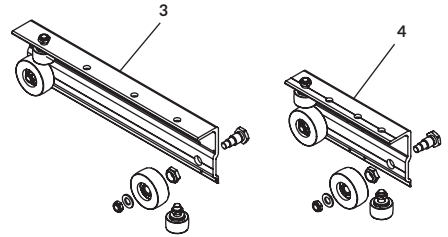
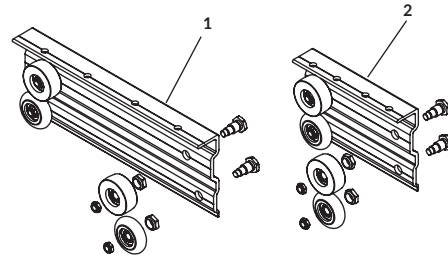
NOTE: Flathead bolt shown on Item 9 is used on the front of the front bow to ensure a good seal on the headboard and on back of rear bow for flap.



GENUINE SHURTITE™ REPLACEMENT PARTS

FOOT ASSEMBLIES

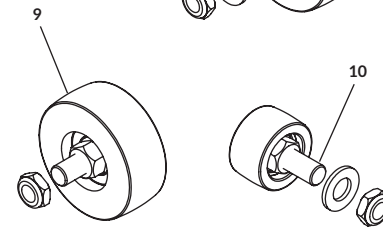
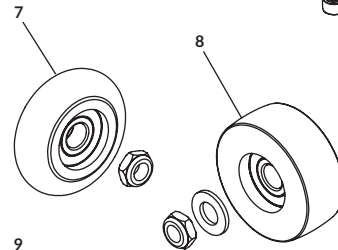
PRICE	ITEM	PART #	DESCRIPTION
	1	2001441	FOOT FRAME 19.5IN ASSY TITETRAX
	2	2001438	FOOT FRAME 11IN ASSY TITETRAX
	3	2000549	FOOT FRONT/REAR ASSY MAGNUM
	4	2000601	FOOT INTERMEDIATE BOW ASSY MAGNUM
	5	2000635	FOOT ASSY 18IN CLASSIC
	6	2000605	FOOT ASSY 11IN CLASSIC



BOW PARTS - TITETRAX™

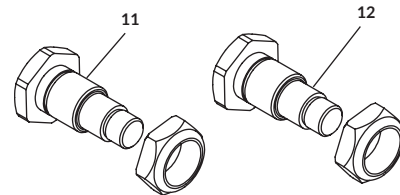
PRICE	ITEM	PART #	DESCRIPTION
	7	2002053	WHEEL 3IN WITH 1/2IN NUT TITETRAX
	8	2002054	WHEEL 3IN WITH 1/2IN WASHER/NUT MAGNUM/TITETRAX
	9	2000001	WHEEL W/BEARING /AXLE 3 ASSY CLASSIC
	10	2000000	WHEEL W/BEARING/AXLE 1.75 ASSY CLASSIC/MAGNUM

*Can also be used for TiteTrax™ systems.



WHEEL AXLES

PRICE	ITEM	PART #	DESCRIPTION
	11	2002057	AXLE 3IN WHEEL AND 3/4IN NUT TITETRAX FLTBD
	12	2002058	AXLE 3IN WHEEL AND 3/4IN NUT MAGNUM

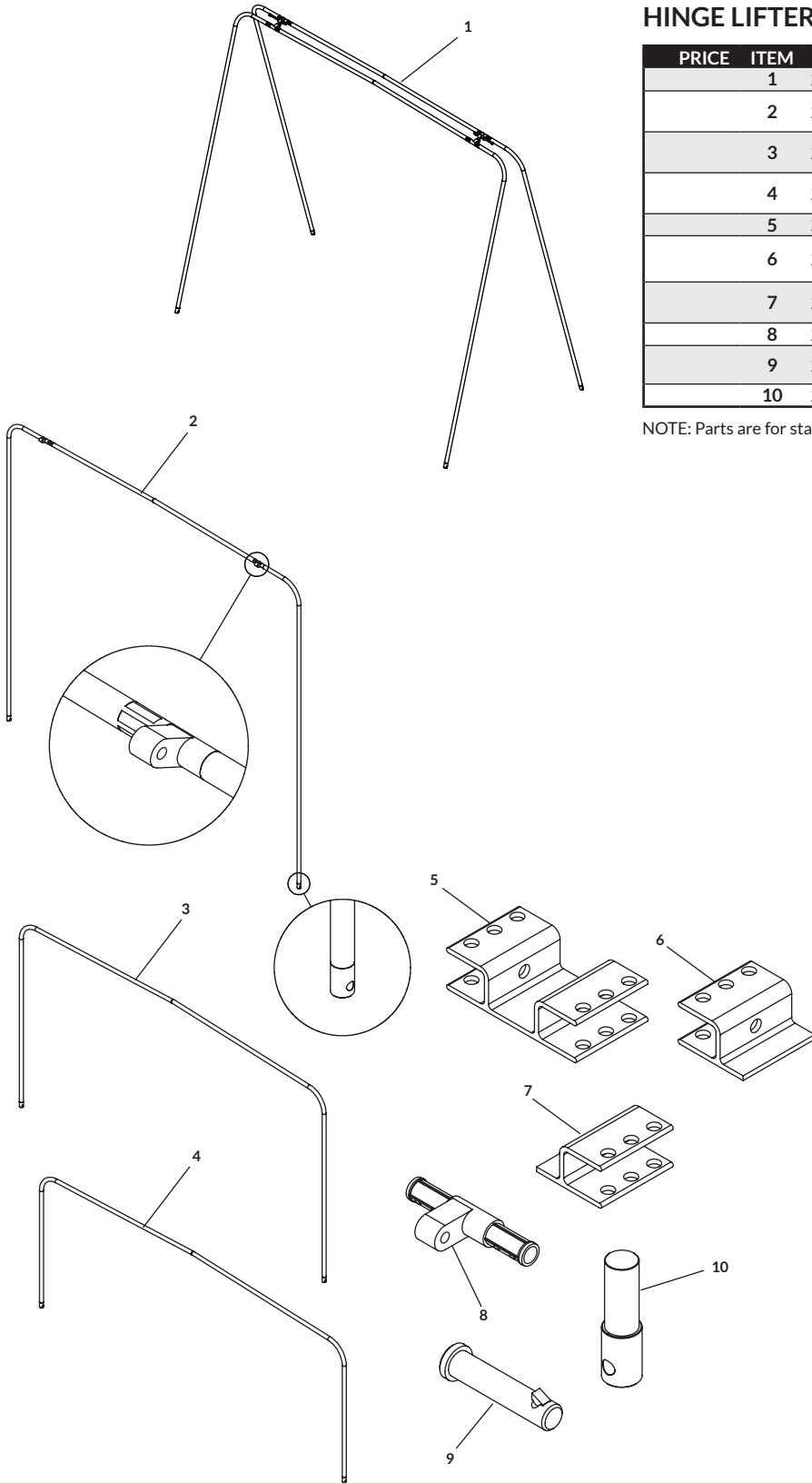


GENUINE SHURTITE™ REPLACEMENT PARTS

HINGE LIFTERS - TITETRIX™/MAGNUM™

PRICE	ITEM	PART #	DESCRIPTION
	1	2000155	LIFTER HINGED ASSY 100H MAGNUM/ TITETRIX
	2	2000561	LIFTER HINGED SIDE ASSY 100H MAGNUM/ TITETRIX
	3	2000154	LIFTER 1 PC ASSY 230IN TUBE MAGNUM/ TITETRIX
	4	2000506	LIFTER EXTRA ASSY 108W MAGNUM/ TITETRIX OR CLASSIC
	5	2000151	LIFTER 2 LIFTER BRACKET MAGNUM/ TITETRIX
	6	2000836	LIFTER HALF 2 LIFTER BRACKET LT MAGNUM/TITETRIX
	7	2000835	LIFTER HALF 2 LIFTER BRACKET RT MAGNUM/TITETRIX
	8	2000156	HINGE LIFTER MID CONNECTOR AL/PLASTIC MAGNUM/TITETRIX
	9	2001179	PIN LIFTER LEG MOUNT (SLIC PIN ZINC) MAGNUM/TITETRIX
	10	2000148	LIFTER SIDE CONNECTOR MAGNUM/TITETRIX

NOTE: Parts are for standard 100" H systems; state system height for other sizes.

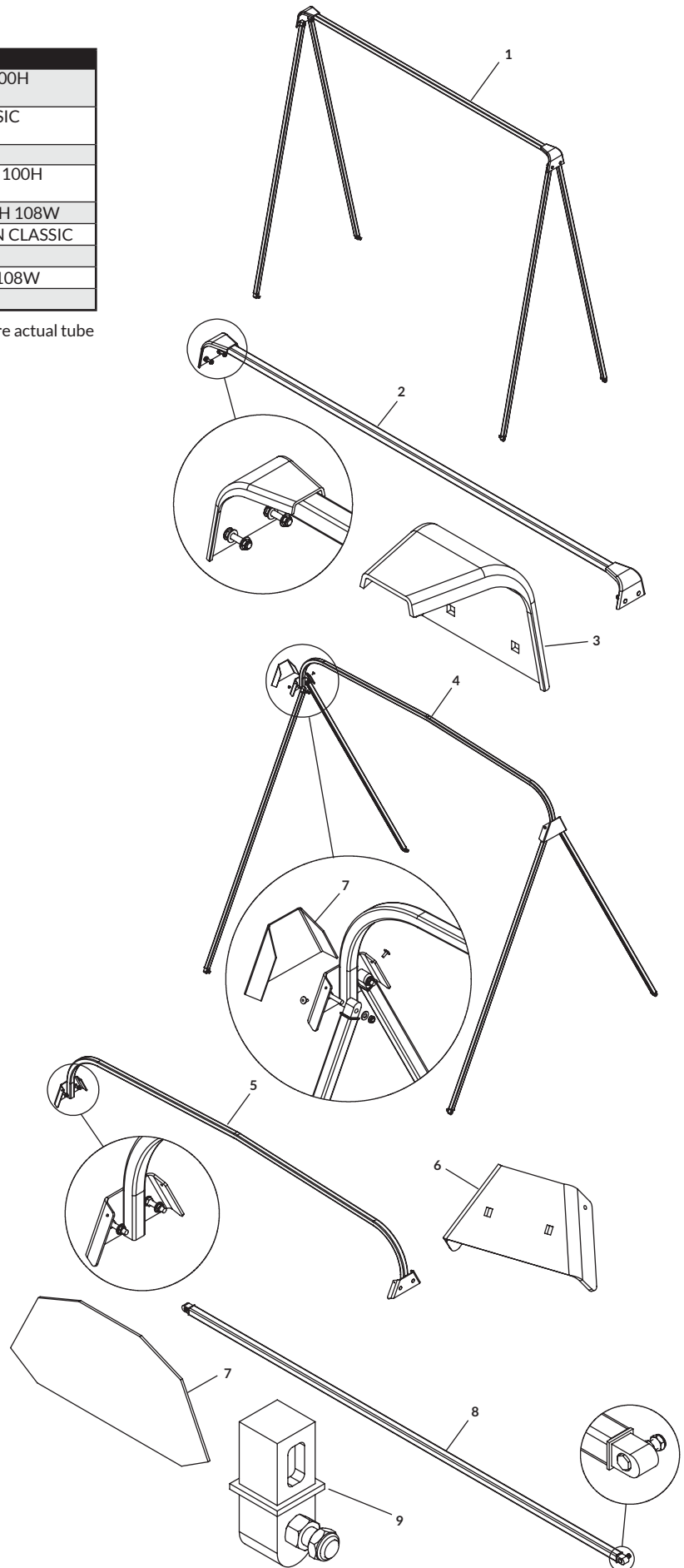


GENUINE SHURTITE™ REPLACEMENT PARTS

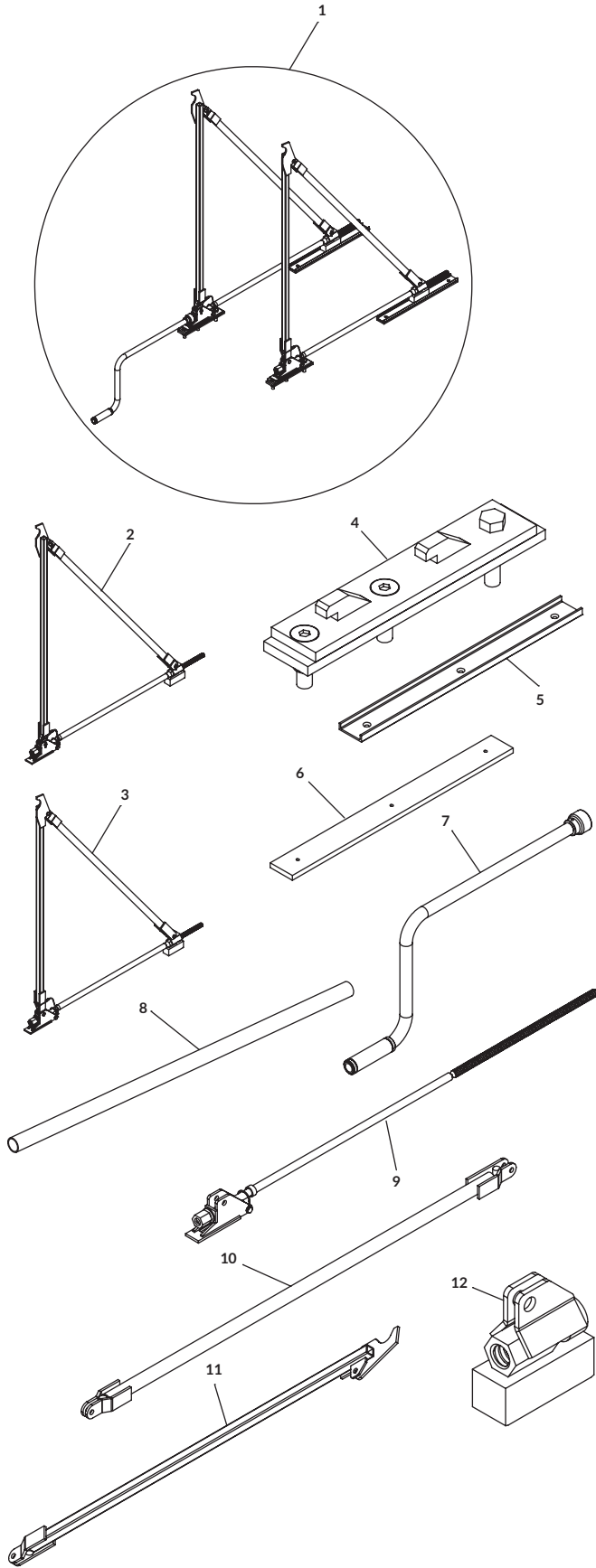
LIFTERS - CLASSIC

PRICE	ITEM	PART #	DESCRIPTION
	1	2000528	LIFTKIT ASSY SQ CORNER CLASSIC 100H 108W
	2	2000518	LIFTKIT TOP ASSY SQ CORNER CLASSIC 100H 108W
	3	2000028	LIFTKIT CORNER SQ CLASSIC
	4	2001419	LIFTKIT ASSY RND CORNER CLASSIC 100H 108W
	5	2000903	LIFT KIT TOP ASSY RND CLASSIC 100H 108W
	6	2000027	LIFTKIT CORNER BRACKET RND 12IN CLASSIC
	7	2000026	LIFTKIT CORNER RUBBER CLASSIC
	8	2000644	LIFTKIT LEG ASSY CLASSIC 90-100H 108W
	9	2000020	LIFTKIT LEG INSERT ASSY CLASSIC*

*P/N 2000020 shown is for Classic lifter leg 100" high system. Measure actual tube length to order any size leg assembly replacement.



WINDING BRACES



PRICE	ITEM	PART #	DESCRIPTION
	1	2000585	WINDING BRACE ASSY 96-102 (BOTH W/CRANK)
		2000587	WINDING BRACE ASSY 60-84 (BOTH W/CRANK)
	2	2000066	WINDING BRACE LT 96-102
		2000072	WINDING BRACE LT 60-84
	3	2000071	WINDING BRACE RT 96-102
		2000073	WINDING BRACE RT 60-84
	4	2000063	BASE FIXED ASSY LT/RT
	5	2000061	WINDING BRACE SLIDE GUIDE STL
	6	2000062	WINDING BRACE SLIDE GUIDE MNT PLATE AL
		2000428	WINDING BRACE SLIDE GUIDE MNT PLATE STL
	7	2000213	CRANK ASSY SOCKET HEAD
	8	2000756	WINDING BRACE STROKE LIMITER
	9	2001070	WINDING BRACE THREAD ROD/PIVOT ASSY 100H
		2001116	WINDING BRACE THREAD ROD/PIVOT ASSY 72H
	10	2000586	WINDING BRACE SUPPORT PIPE ASSY 100H
		2001118	WINDING BRACE SUPPORT PIPE ASSY 72H
	11	2000754	WINDING BRACE SUPPORT TUBE ASSY 100H LT
		2000755	WINDING BRACE SUPPORT TUBE ASSY 100H RT
		2001119	WINDING BRACE SUPPORT TUBE ASSY LT 72H
		2001120	WINDING BRACE SUPPORT TUBE ASSY RT 72H
	12	2000753	WINDING BRACE NUT ASSY

GENUINE SHURTITE™ REPLACEMENT PARTS

PNEUMATIC LOCK BRACE

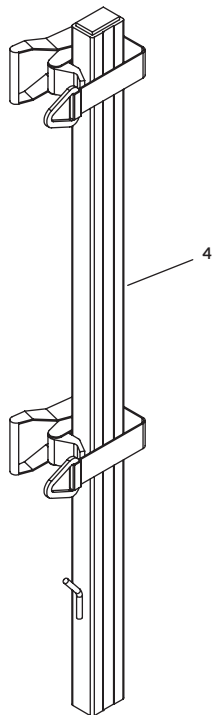
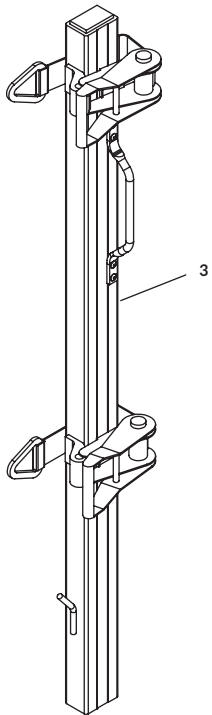
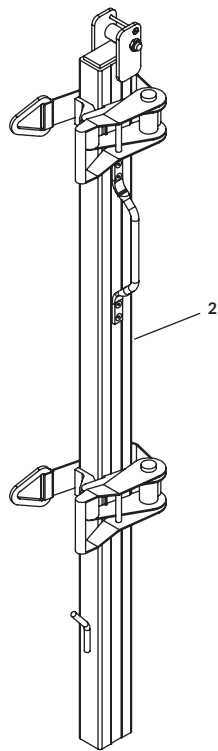
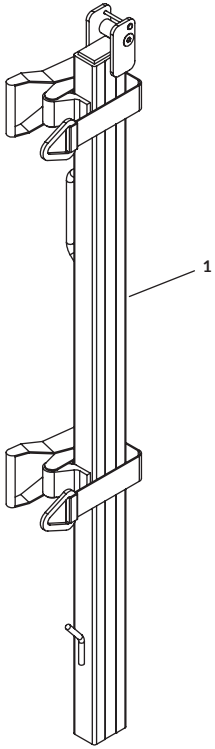
For more information, call our ShurTite™ distribution centers at 844.573.9322 (USA) and 800.265.0823 (Canada).



GENUINE SHURTITE™ REPLACEMENT PARTS

POSTS -COMBINATION/INTERNAL ASSEMBLIES

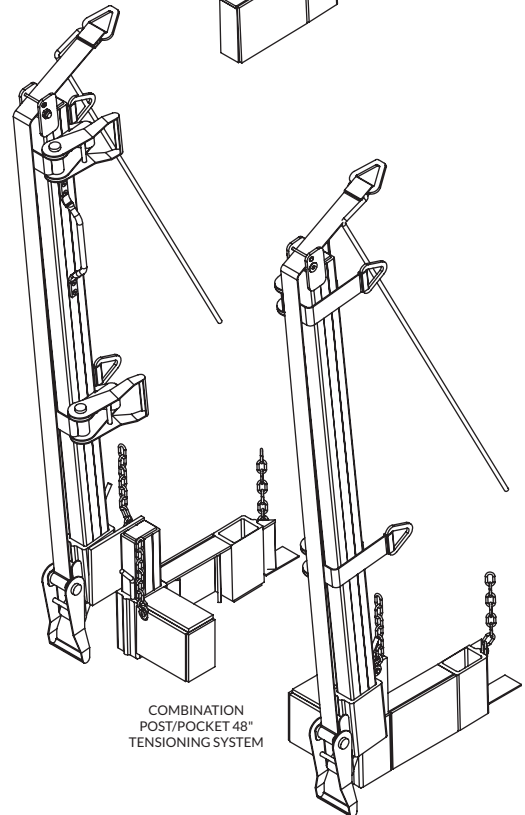
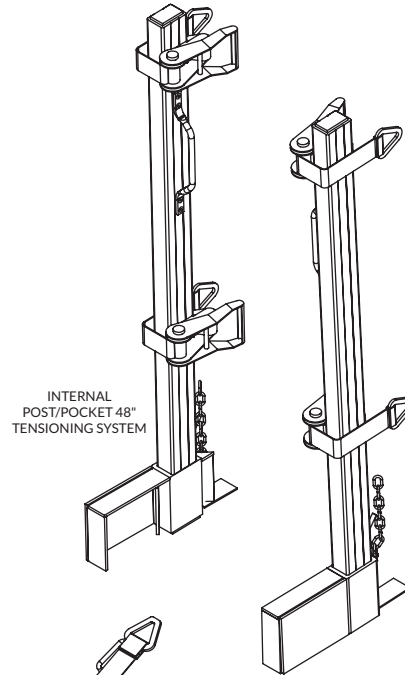
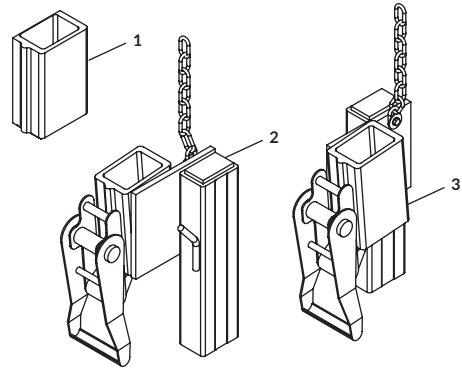
PRICE	ITEM	PART #	DESCRIPTION
	1	2000592	POST COMBO 48 ASSEMBLY LT
	2	2000591	POST COMBO 48 ASSEMBLY RT
	3	2001128	POST RATCHET INTERNAL 48 ASSEMBLY LT
	4	2001127	POST RATCHET INTERNAL 48 ASSEMBLY RT



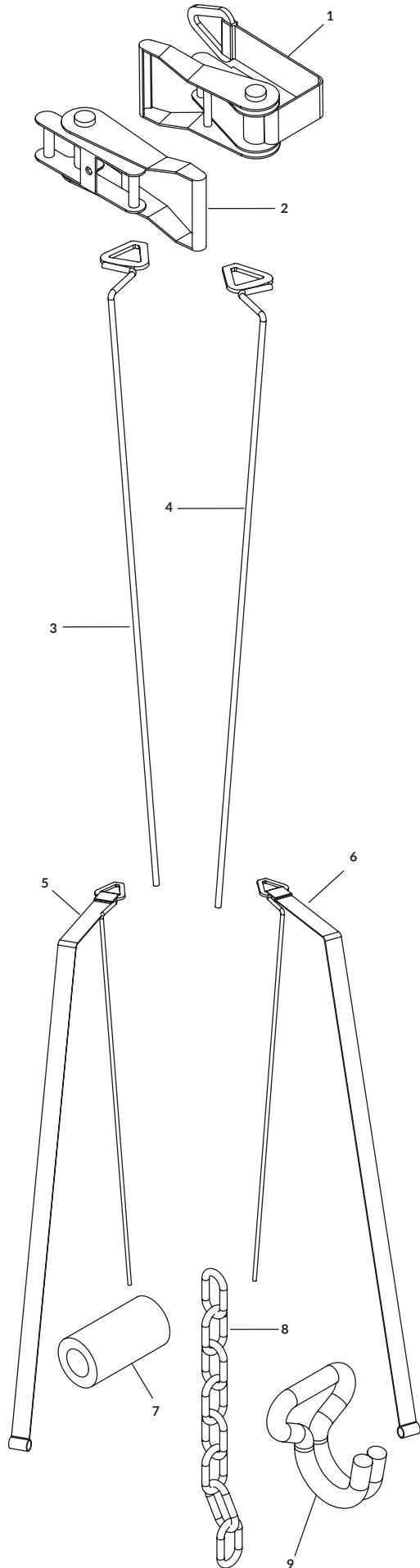
GENUINE SHURTITE™ REPLACEMENT PARTS

POSTS/POCKET ASSEMBLIES

PRICE	ITEM	PART #	DESCRIPTION
	1	2000738	3 SIDE POCKET WELDMENT
	2	2000706	POCKET COMBO LT ASSEMBLY
	3	2000707	POCKET COMBO RT ASSEMBLY



POST RATCHETS/ACCESSORIES

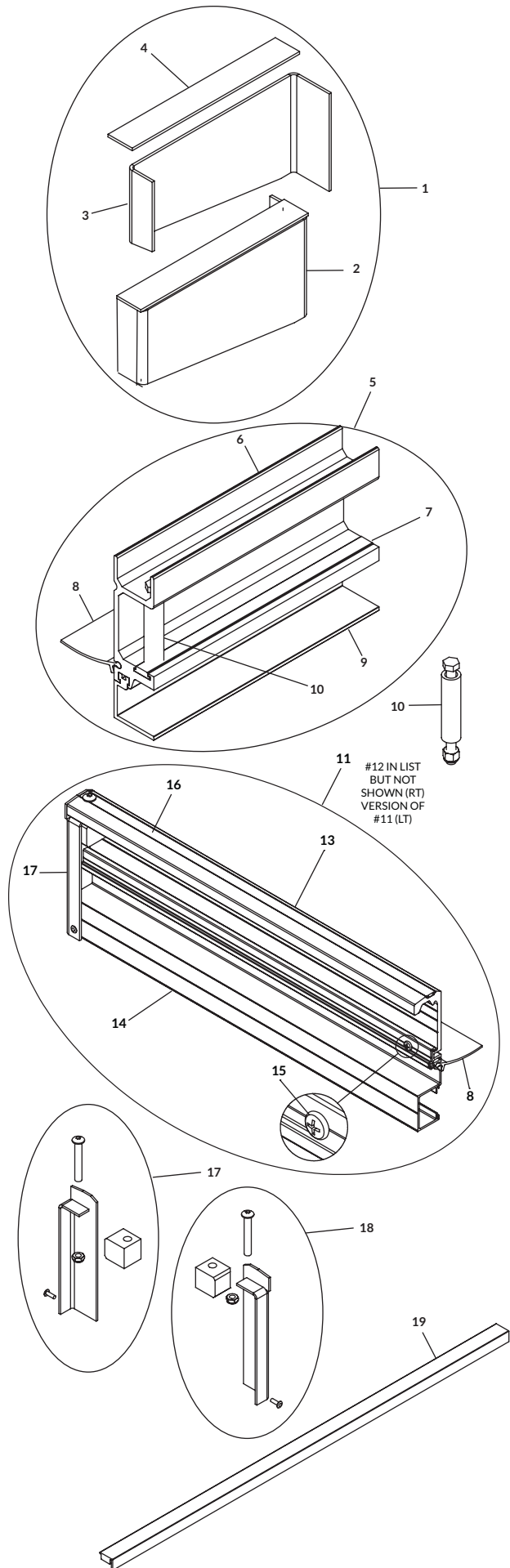


PRICE	ITEM	PART #	DESCRIPTION
	1	2000006	RATCHET 2 x 32IN W/DELTA RING
	2	2000008	RATCHET 2IN REVERSIBLE
	3	2000352	HANDLE GRD CLSG RT
	4	2000353	HANDLE GRD CLSG LT
	5	2000600	HANDLE ASSY GRD CLSG W/STRAP RT
	6	2000599	HANDLE ASSY GRD CLSG W/STRAP LT
	7	2000057	RATCHET POST ROLLER
	8	2000040	CHAIN REAR POCKET (8 EYES)
	9	2000688	HOOK WIRE 2IN 7/16 WIRE

GENUINE SHURTITE™ REPLACEMENT PARTS

TRACK ASSEMBLIES

PRICE	ITEM	PART #	DESCRIPTION
	1	2000907	CORNER BUILD-OUT FRONT STANDARD AL ASSY
		2001205	CORNER BUILD-OUT FRONT STANDARD STL ASSY
	2	2000111	BUILD-OUT FRONT CORNER AL RT
		2000115	BUILD-OUT FRONT CORNER STL RT
	3	2000112	BUILD-OUT FRONT CORNER AL LT
		2000116	BUILD-OUT FRONT CORNER STL LT
	4	2000906	BUILD-OUT FRONT CORNER COVER AL
		2001206	BUILD-OUT FRONT CORNER COVER STL
	5	2000604	TRACK ASSY 48FT 1 SIDE ONLY MAGNUM
	6	2000120	EXTRUSION TRACK 48FT AL MAGNUM
	7	2000222	TRACK INSERT PLASTIC 8FT MAGNUM
	8	2000117	SEAL TRACK RUBBER 2.5 1 BOX = 106FT
	9	2000229	TRACK AIR DEFLECTOR 8FT MAGNUM
	10	2000639	TRACK END STOP ASSEMBLY
	11	2002081	TRACK ASSY 48FT 1 SIDE ONLY RT TITETRAX
	12	2002091	TRACK ASSY 48FT 1 SIDE ONLY LT TITETRAX
	13	2001141	EXTRUSION TRACK 48FT-6IN TITETRAX
	14	2001750	TRACK LIGHT BAR 27FT TITETRAX
	15	2001511	SCREW PN HD SELF DRILL 1/4-14X.75
	16	2001449	TRACK INSERT UHMW TITETRAX
	17	2001752	TRACK END STOP LT TITETRAX BAG PARTS
	18	2001753	TRACK END STOP RT TITETRAX BAG PARTS
	19	2000309	TRACK GUARD INSERT 6FT PLASTIC
		2002090	TRACK ASSY PER FOOT TITETRAX
		2000958	TRACK ASSY PER FOOT MAGNUM



GENUINE SHURTITE™ REPLACEMENT PARTS

LIGHT BRACKETS - SECTIONAL REPLACEMENT

PRICE	ITEM	PART #	DESCRIPTION
	1	1125150	LIGHT BRKT_2.75 RD_7.5 DRP
	2	1125151	LIGHT BRKT_2.75 X 7 OVAL_7.5 DRP
	3	1125246	LIGHT BRKT_BLANK_7.5 DRP

TARP PANELS - SECTIONAL REPLACEMENT

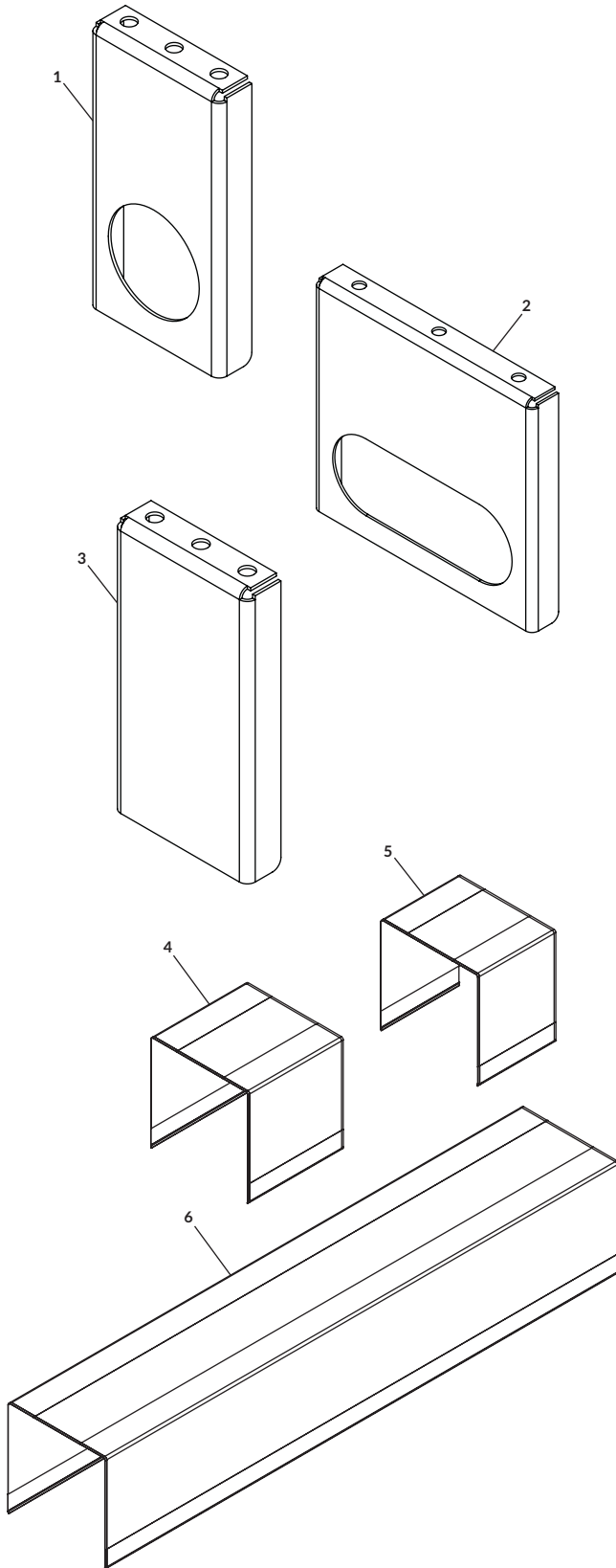
PRICE	ITEM	PART #	DESCRIPTION
	4	2000574	TARP END SECTION 100H 108W
	5	2000059	TARP INTERMEDIATE SECTION 100H 108W
		2001153	TARP PANEL REPLACEMENT ANCHORS & RIVETS

NOTE: Parts shown are for standard 100 " H systems. To order sectional panels, supply serial number and job number from aluminum tag on headboard.

TARP PANELS - CLASSIC

PRICE	ITEM	PART #	DESCRIPTION
	6	2001151	TARP 44-53FT KEDER BOTTOM CLASSIC
		2000653	HARDWARE KIT KEDER BOTTOM
		2000543	TARP 44-53FT NO BUNGEE NEW CLASSIC
		2000918	HARDWARE KIT NEW BUNGEELESS
		2001196	TARP 44-53FT W/BUNGEE CLASSIC
		2000535	HARDWARE KIT BUNGEE BOTTOM

NOTE: Parts are for standard 100" H Classic 1-pc. systems and are shown to indicate style. To order, supply last 5 digits of VIN or job number or complete measurement sheet.

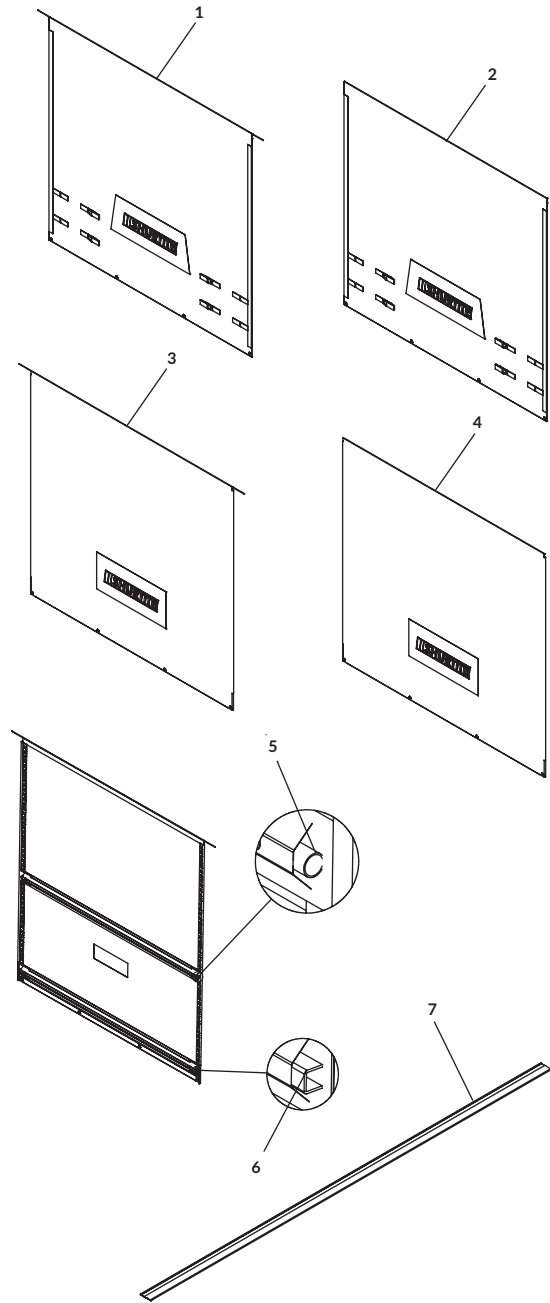


GENUINE SHURTITE™ REPLACEMENT PARTS

REAR FLAP ASSEMBLIES

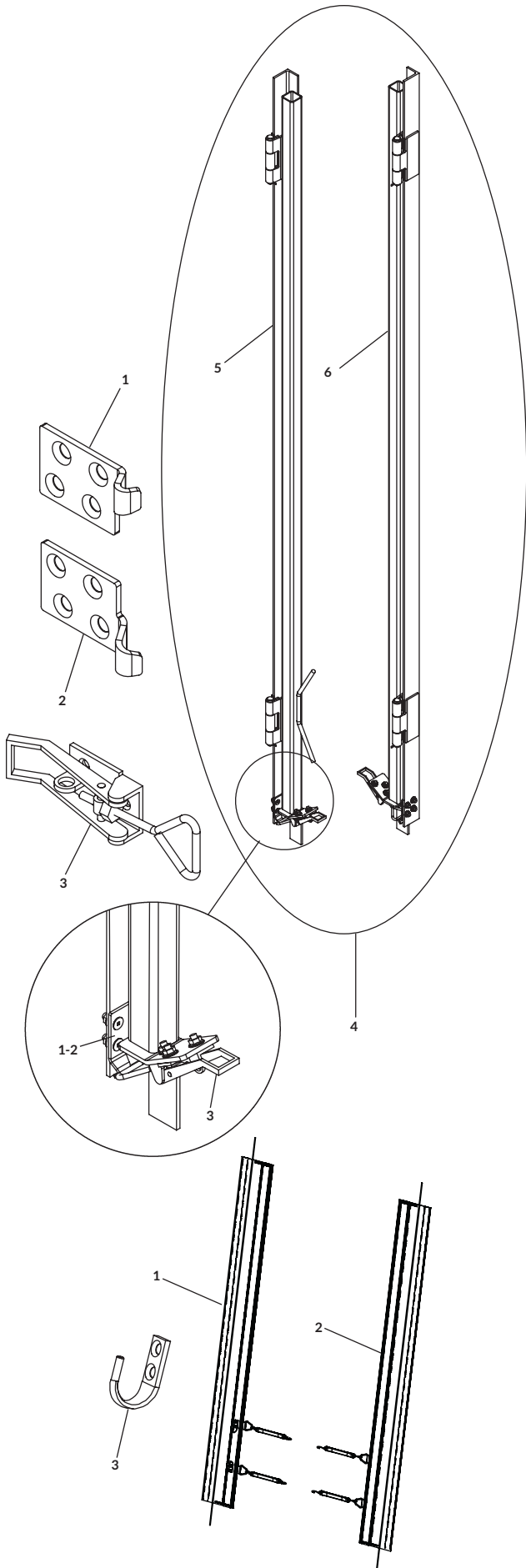
PRICE	ITEM	PART #	DESCRIPTION
	1	2001164	REAR FLAP VELCRO W/D-RING 100H 108W MAGNUM
	2	2001489	REAR FLAP VELCRO WITH D-RING CLASSIC
	3	2000634	REAR FLAP ASSY ROPE 100H 108W MAGNUM
	4	2000365	REAR FLAP ASSY ROPE 100H 108W CLASSIC
	5	2000264	REAR FLAP PIPE STL RND DIA 104.5IN LG
	6	2000364	REAR FLAP TUBE STL SQ 104.5IN LG
	7	2000029	REAR FLAP VISOR ASSY OVER 90
		2000775	REAR FLAP VISOR ASSY VELCRO

NOTE: Parts are for standard 100" H systems; state system height for other sizes.



GENUINE SHURTITE™ REPLACEMENT PARTS

OVER 90 BAR - TITETRAX™/MAGNUM™



PRICE	ITEM	PART #	DESCRIPTION
	1	2000344	OVER 90 STRIKER CLAMP LT
	2	2000343	OVER 90 STRIKER CLAMP RT
	3	2001142	OVER 90 LOCKING CLAMP
	4	2000633	OVER 90 BAR ASSY 100H (BOTH)
	5	2000037	OVER 90 BAR ASSY 100H LT
	6	2000036	OVER 90 BAR ASSY 100H RT
		2001006	OVER 90 BAR ASSY LT 84H LT
		2001005	OVER 90 BAR ASSY RT 84H RT
		2000999	OVER 90 BAR ASSY LT 72H LT
		2000997	OVER 90 BAR ASSY RT 72H RT
	7	2000341	OVER 90 ROPE HOLDER

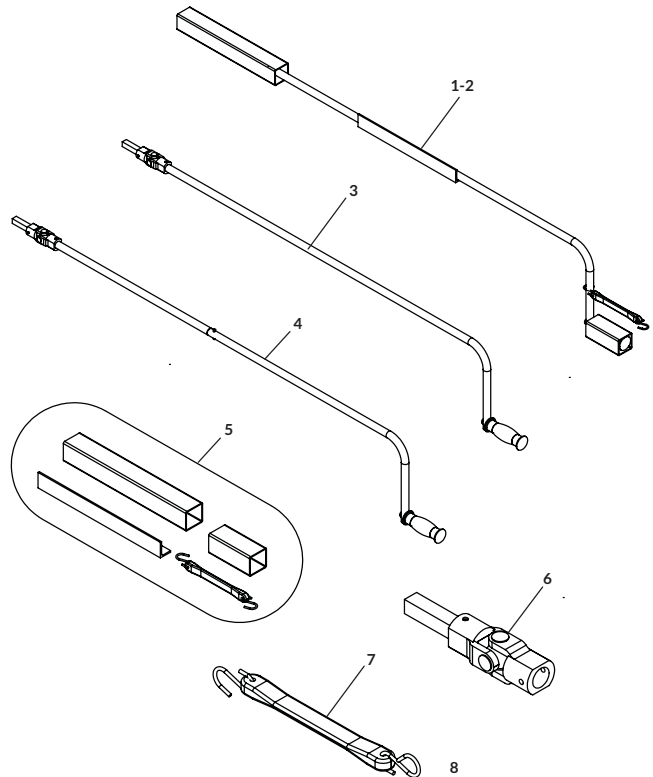
VELCRO® WINGS - TITETRAX™/MAGNUM™

PRICE	ITEM	PART #	DESCRIPTION
	1	2001163	WING VELCRO ASSY LT 100H W/BUNGEE/HOOKS
		2001472	WING VELCRO ASY LT 100H W/BUNGEE NO HOOK
		2000624	WING VELCRO ASSY LT 100H W/D-RING CLASSIC
	2	2001162	WING VELCRO ASSY RT 100H W/BUNGEE
		2000623	WING VELCRO ASSY RT 100H W/D-RING CLASSIC
	3	2000452	ROPE HOOK

GENUINE SHURTITE™ REPLACEMENT PARTS

REAR FLAP CRANKS

PRICE	ITEM	PART #	DESCRIPTION
	1	2000613	CRANK REAR FLAP 1 PC W/3 PC HOLDER
	2	2001613	CRANK REAR FLAP 2 PC W/3 PC HOLDER
	3	2000988	CRANK REAR FLAP 1 PC W/U-JOINT ASSY
		2000986	CRANK REAR FLAP ARM 1 PC (NOT SHOWN)
	4	2001553	CRANK REAR FLAP 2 PC W/U-JOINT ASSY
		2001550	CRANK REAR FLAP ARM SHORT W/HANDEL (NOT SHOWN)
		2001551	CRANK REAR FLAP ARM EXTENSION (NOT SHOWN)
	5	2002148	CRANK REAR FLAP 3 PIECE HOLDER
	6	1107722	CRANK REAR FLAP U-JOINT W/PIN
	7	2000366	BUNGEE 9IN LG



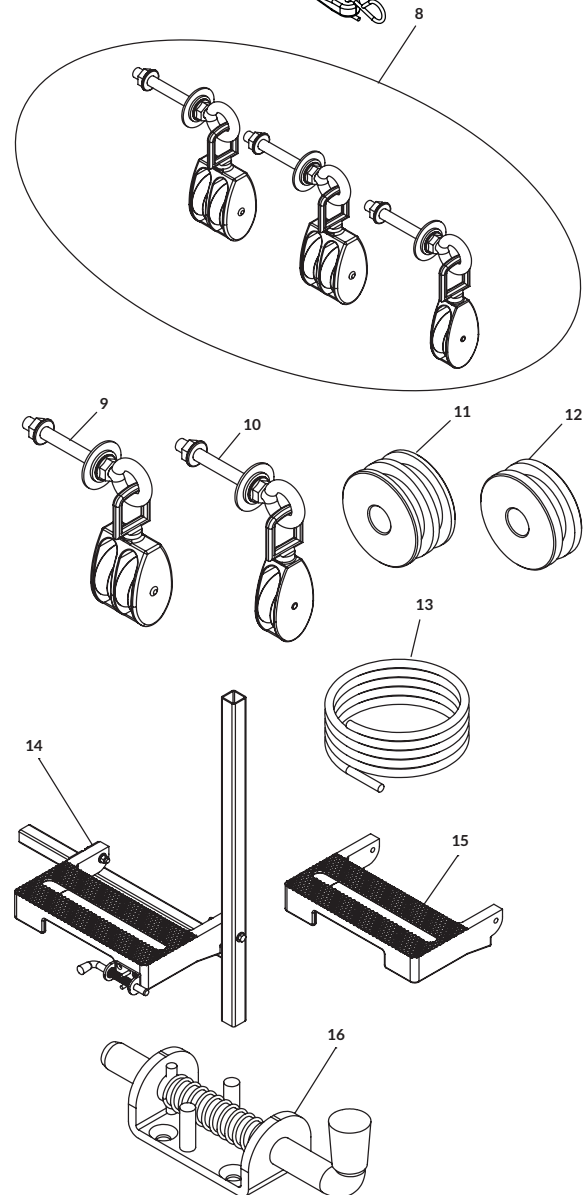
REAR FLAP PULLEYS

PRICE	ITEM	PART #	DESCRIPTION
	8	2001348	PULLEY SWIVEL EYE 3 PC
	9	2001347	PULLEY DOUBLE SWIVEL EYE W/BOLT ASSY
	10	2001346	PULLEY SINGLE SWIVEL EYE W/BOLT ASSY
	11	2000010	PULLEY DOUBLE TRACK
	12	2000012	PULLEY SINGLE TRACK
	13	2000013	ROPE REAR FLAP 1/4 SOLID BRAID NYLON*

*Rear flap assembly requires 75' of rope.

REAR STEPS

PRICE	ITEM	PART #	DESCRIPTION
	14	2000530	STEP REAR ASSY AL LT
		2000529	STEP REAR ASSY AL RT
	15	2000023	STEP DOUBLE AL
	16	2000003	LOCK SPRING BOLT 3IN



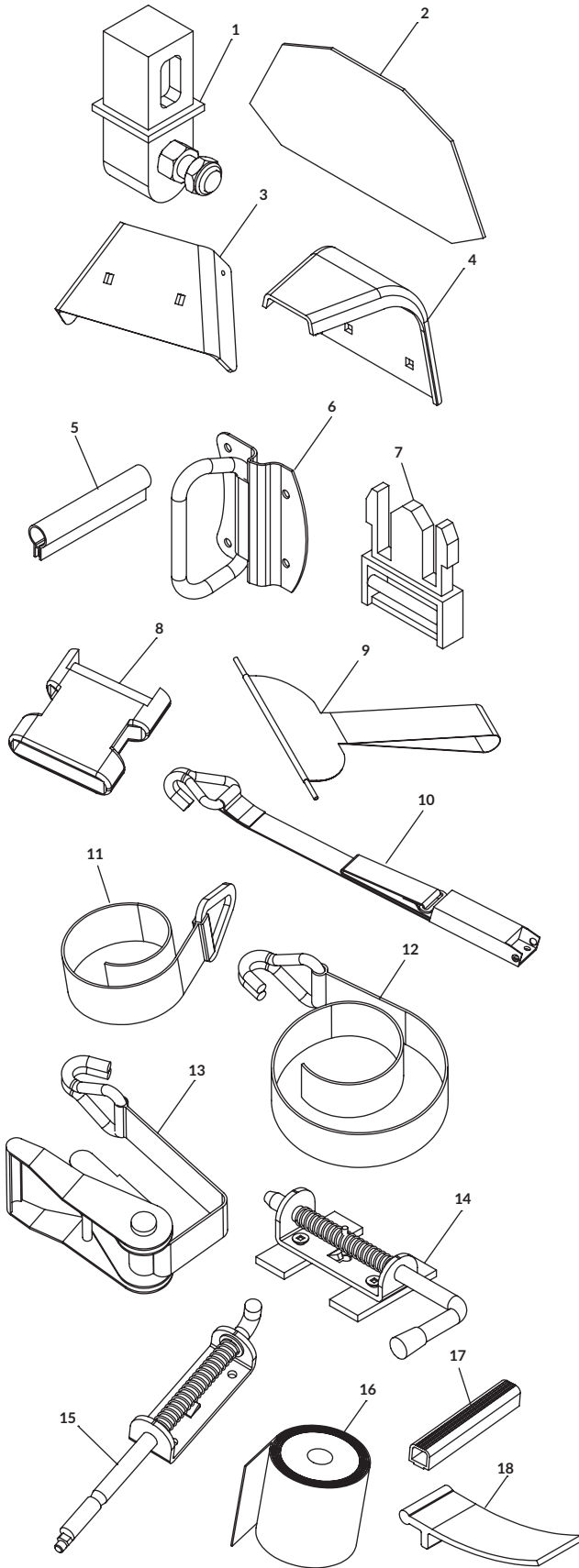
GENUINE SHURTITE™ REPLACEMENT PARTS

MISCELLANEOUS - CLASSIC

PRICE	ITEM	PART #	DESCRIPTION
	1	2000020	LIFTKIT INSERT ASSY CLASSIC
	2	2000026	LIFTKIT CORNER RUBBER CLASSIC
	3	2000027	LIFTKIT CORNER BRACKET RND 12IN CLASSIC
	4	2000028	LIFTKIT CORNER SQ CLASSIC
	5	2000024	SEAL BUBBLE STRAIGHT PER FT CLASSIC
	6	2000019	HANDLE CHEST
		2000368	SEAL TRACK RUBBER 4IN 1 BOX = 106FT OLD STYLE CLASSIC (NOT SHOWN)

MISCELLANEOUS - UNIVERSAL - MAGNUM™/CLASSIC

PRICE	ITEM	PART #	DESCRIPTION
	7	2000016	BUCKLE MALE 1-1/2 PLASTIC BLACK
	8	2000015	BUCKLE FEMALE 1-1/2 PLASTIC BLACK
	9	2000035	HANDLE STRAP TARP MAG
	10	2000649	OVERCENTER BUCKLE STAINLESS STEEL
	11	2000017	STRAP CARGO - 2 x 40IN W/ DELTA RING
	12	2000018	STRAP CARGO - 2 x 40IN W/ HOOK 7/16
	13	2000007	RATCHET - 2 X 32IN W/ HOOK 7/16
	14	2000002	BOW LOCK SPRING BOLT ASSY
	15	2001459	BOW LOCK ASSY FRONT/REAR TITETRAX
	16	2001131	TARP REPAIR TAPE - BLACK 50FT PER ROLL
	17	2000169	SEAL-D HEADBOARD PER FT MAGNUM
	18	2000117	SEAL TRACK RUBBER 2.5 1 BOX = 106FT MAGNUM
		RAWM2301	TARP MATERIAL PER YARD ANY COLOR (NOT SHOWN)



FLATBED TRAILER MEASUREMENT SHEET

Rev. 11-20 | Page 1

ShurTite™ tarps are custom-made to order and are non-returnable, so the correct physical measurements are essential for proper tarp fit. Be sure to provide all requested information or your order may be delayed. Do NOT use universal body or trailer sizes. Instead, use ACTUAL MEASUREMENTS provided in INCHES.

Use diagram below to help determine correct measurements for ordering. Trailer **MUST BE AIRED UP** and hooked to the truck or the fifth-wheel height set to 48" from the ground BEFORE taking measurements. Width of deck is from outside rub rail to outside rub rail. Additional information needed is noted on reverse side.

CONTACT INFORMATION

NAME _____

ADDRESS _____

EMAIL _____

CITY _____ STATE _____ ZIP _____

PHONE _____ FAX _____

BOX/TRAILER MAKE _____

MODEL _____ YEAR _____

TRAILER VIN # (Last 5 Digits) _____

DOT NUMBER _____

TRAILER DIMENSIONS

A _____ FIFTH WHEEL

B _____ WIDTH

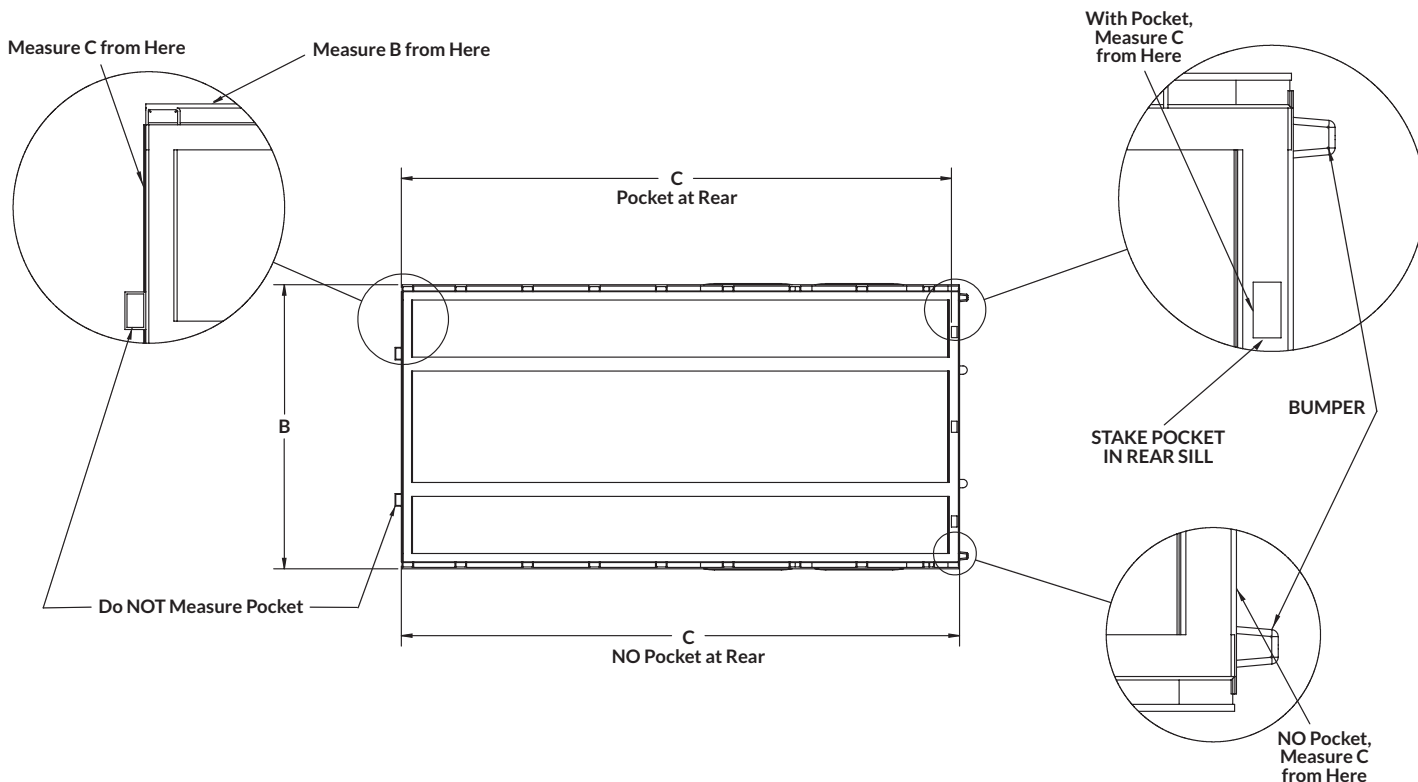
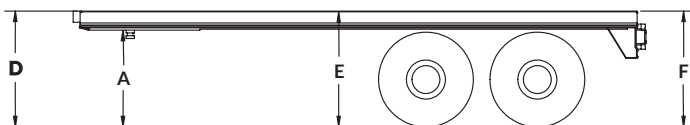
C _____ DECK LENGTH

D _____ FRONT HEIGHT

E _____ MID DECK HEIGHT

F _____ REAR HEIGHT

RUB RAIL STEEL ALUMINUM



TRACK: MAGNUM TITETRAX™

(• STANDARD PARTS)

EXTRA OPTIONS

- EXTRA LIFTERS
- QUAD LIFTERS
- REAR STEP
 - PASSENGER SIDE STL OR AL
 - DRIVER SIDE STL OR AL
- FRONT BUILD-OUT - 8"
- FOLDING TRACK EXTENSION
- TRACK GUARD (Magnum ONLY)
- STAINLESS STEEL LIGHT BAR

TRAILER ADDITIONS

- REUSING TRACK
- LOWERING ADDITIONAL LIGHTS
 - EXCLUDES CORNER, MARKER & ABS
- REMOVING OLD TARP SYSTEM
- ADDITIONAL TRAILER WORK

SYSTEM HEIGHT (Choose One)

- 100" STANDARD (98" Inside Height)
- 84" STANDARD (82" Inside Height)
- 72" STANDARD (70" Inside Height)
- OTHER _____

ADDITIONAL NOTES

HEADBOARD ADDITIONS

- RE-USING HEADBOARD
- STAINLESS STEEL WRAP
- MAN DOOR
- CHAIN BOXES 1 OR 2
- DUNNAGE RACKS 1 OR 2
- UTILITY TRAY
- NOSE CONE WHITE OR BLACK
- INSIDE FLOOD LIGHTS
- ADDITIONAL HEADBOARD LIGHTS - 5 Total

TARP

- COLOR _____
- GRAPHICS

BACK FLAP OPENING OPTIONS (Choose One)

- ROPE & PULLEY
- CRANK ARM

BACK FLAP CLOSURE OPTIONS (Choose One)

- OVER 90° BARS
- VELCRO® WINGS

TENSIONING SYSTEM

- WINDING BRACE
- PNEUMATIC BRACE
- POST & RATCHET

DROP DECK TRAILER MEASUREMENT SHEET

ShurTite™ tarps are custom-made to order and are non-returnable, so the correct physical measurements are essential for proper tarp fit. Be sure to provide all requested information or your order may be delayed. Do NOT use universal body or trailer sizes. Instead, use ACTUAL MEASUREMENTS provided in INCHES.

Use diagram below to help determine correct measurements for ordering. Trailer **MUST BE AIRED UP** and hooked to the truck or the fifth-wheel height set to 48" from the ground BEFORE taking measurements. Width of deck is from outside rub rail to outside rub rail. Additional information needed is noted on reverse side.

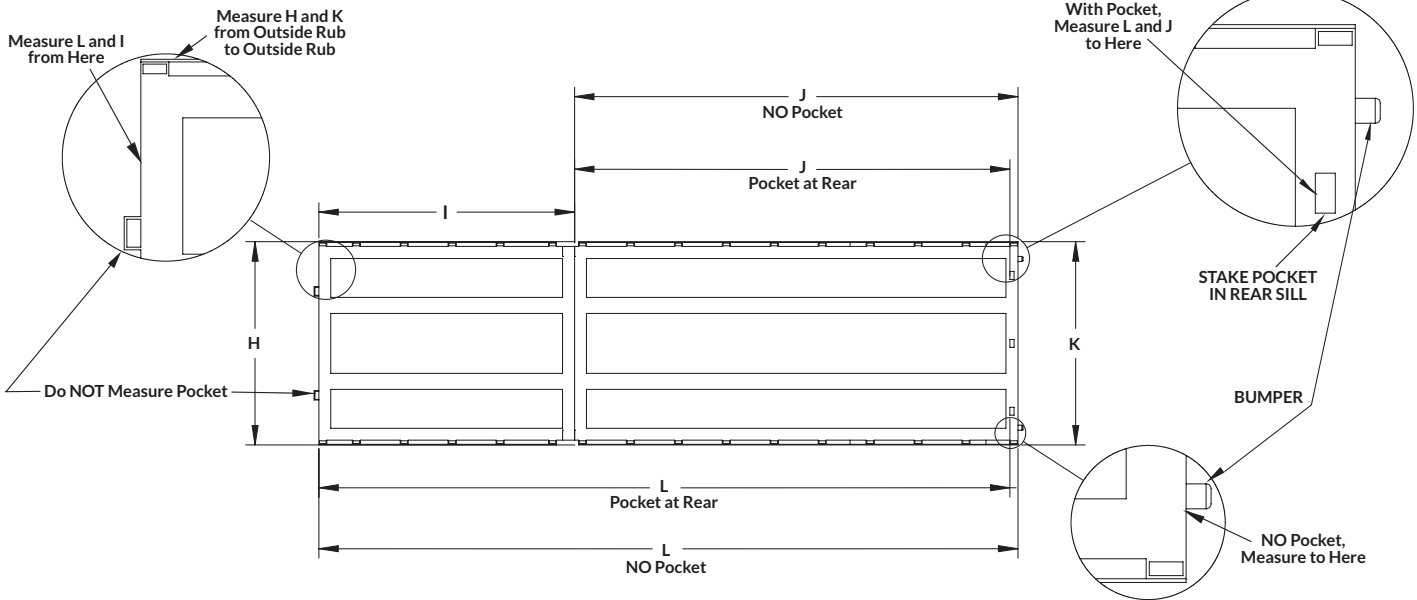
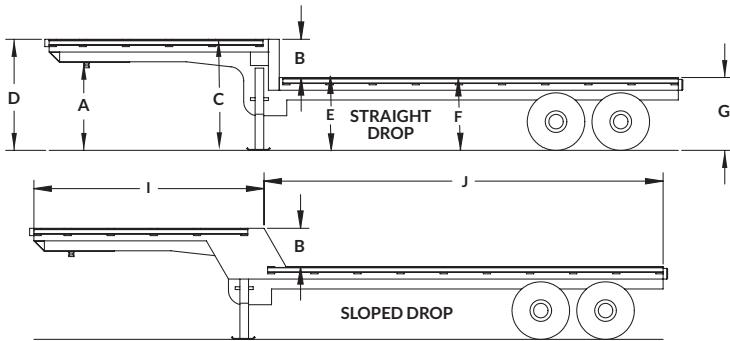
CONTACT INFORMATION

NAME _____
 ADDRESS _____
 EMAIL _____
 CITY _____ STATE _____ ZIP _____
 PHONE _____ FAX _____
 BOX/TRAILER MAKE _____
 MODEL _____ YEAR _____
 TRAILER VIN # (Last 5 Digits) _____
 DOT NUMBER _____

TRAILER DIMENSIONS

A _____ FIFTH WHEEL
 B _____ DROP HEIGHT
 C _____ TOP DECK REAR HEIGHT
 D _____ TOP DECK FRONT HEIGHT
 E _____ LOWER DECK FRONT HEIGHT
 F _____ LOWER DECK MID HEIGHT
 G _____ LOWER DECK REAR HEIGHT
 H _____ UPPER DECK WIDTH
 I _____ UPPER DECK LENGTH
 J _____ LOWER DECK LENGTH
 K _____ LOWER DECK WIDTH
 L _____ TOTAL TRAILER LENGTH

RUB RAIL STEEL ALUMINUM



TRACK: MAGNUM TITETRAX™

(● STANDARD PARTS)

EXTRA OPTIONS

- EXTRA LIFTERS
- QUAD LIFTERS
- REAR STEP
 - PASSENGER SIDE STL OR AL
 - DRIVER SIDE STL OR AL
- FRONT BUILD-OUT - 8"
- FOLDING TRACK EXTENSION
- TRACK GUARD (Magnum ONLY)
- STAINLESS STEEL LIGHT BAR

TRAILER ADDITIONS

- REUSING TRACK
- LOWERING ADDITIONAL LIGHTS
 - EXCLUDES CORNER, MARKER & ABS
- REMOVING OLD TARP SYSTEM
- ADDITIONAL TRAILER WORK

SYSTEM HEIGHT

- MAXIMUM HEIGHT _____
- REQUIRED HEIGHT _____
- OTHER _____

ADDITIONAL NOTES

HEADBOARD ADDITIONS

- RE-USING HEADBOARD
- STAINLESS STEEL WRAP
- MAN DOOR
- CHAIN BOXES 1 OR 2
- DUNNAGE RACKS 1 OR 2
- UTILITY TRAY
- NOSE CONE WHITE OR BLACK
- INSIDE FLOOD LIGHTS
- ADDITIONAL HEADBOARD LIGHTS - 5 Total

TARP

- COLOR _____
- GRAPHICS

BACK FLAP OPENING OPTIONS (Choose One)

- ROPE & PULLEY
- CRANK ARM

BACK FLAP CLOSURE OPTIONS (Choose One)

- OVER 90° BARS
- VELCRO® WINGS

TENSIONING SYSTEM

- WINDING BRACE
- PNEUMATIC BRACE
- POST & RATCHET

DOUBLE DROP DECK TRAILER MEASUREMENT SHEET

Rev. 11-20 | Page 1

ShurTite™ tarps are custom-made to order and are non-returnable, so the correct physical measurements are essential for proper tarp fit. Be sure to provide all requested information or your order may be delayed. Do NOT use universal body or trailer sizes. Instead, use ACTUAL MEASUREMENTS provided in INCHES.

Use diagram below to help determine correct measurements for ordering. Trailer **MUST BE AIRED UP** and hooked to the truck or the fifth-wheel height set to 48" from the ground BEFORE taking measurements. Width of deck is from outside rub rail to outside rub rail. Additional information needed is noted on reverse side.

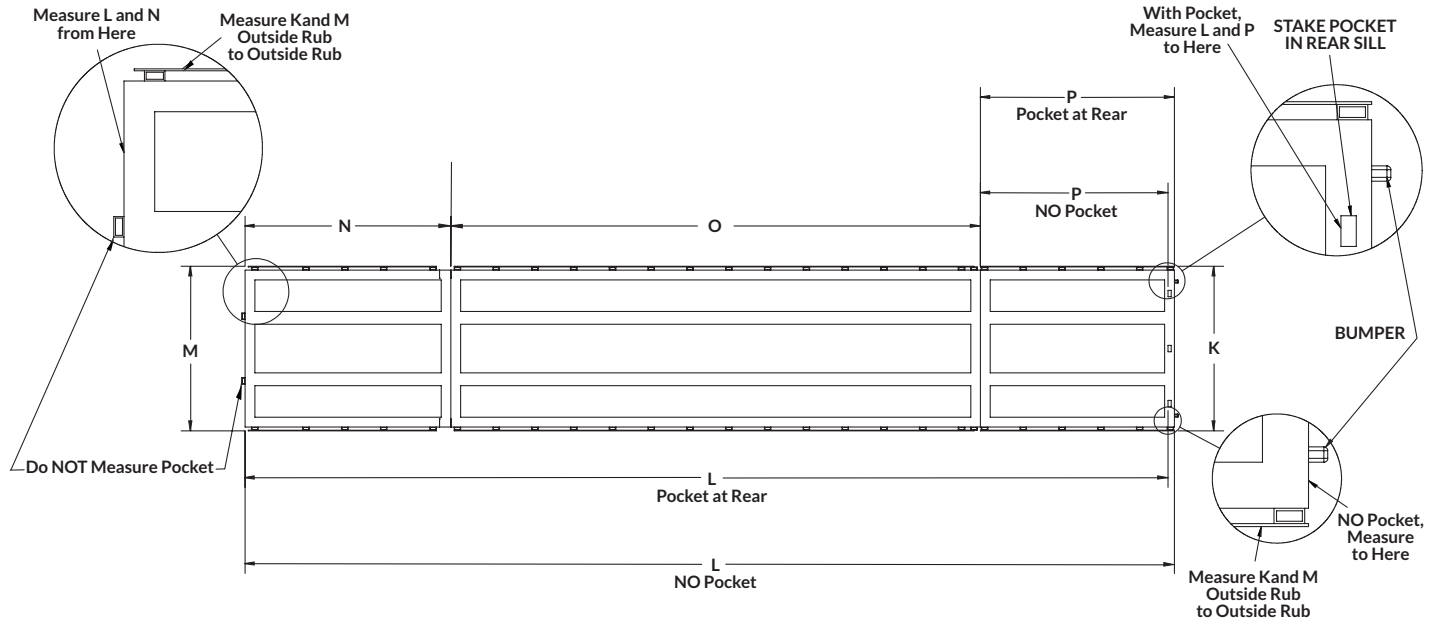
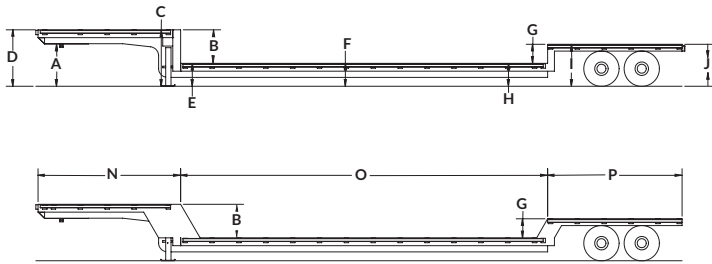
CONTACT INFORMATION

NAME _____
 ADDRESS _____
 EMAIL _____
 CITY _____ STATE _____ ZIP _____
 PHONE _____ FAX _____
 BOX/TRAILER MAKE _____
 MODEL _____ YEAR _____
 TRAILER VIN # (Last 5 Digits) _____
 DOT NUMBER _____

TRAILER DIMENSIONS

A _____ FIFTH WHEEL
 B _____ DROP HEIGHT
 C _____ TOP DECK REAR HEIGHT
 D _____ TOP DECK FRONT HEIGHT
 E _____ LOWER DECK FRONT HEIGHT
 F _____ LOWER DECK MID HEIGHT
 G _____ REAR DECK DROP
 H _____ LOWER DECK REAR HEIGHT
 I _____ REAR DECK FRONT HEIGHT
 J _____ REAR DECK REAR HEIGHT
 K _____ REAR DECK WIDTH
 L _____ TOTAL TRAILER LENGTH
 M _____ FRONT DECK WIDTH
 N _____ FRONT DECK LENGTH
 O _____ MID DECK LENGTH
 P _____ REAR DECK LENGTH

RUB RAIL STEEL ALUMINUM



DOUBLE DROP DECK TRAILER MEASUREMENT SHEET

Rev. 11-20 | Page 2

TRACK: MAGNUM TITETRAX™

(● STANDARD PARTS)

EXTRA OPTIONS

- EXTRA LIFTERS
- QUAD LIFTERS
- REAR STEP
 - PASSENGER SIDE STL OR AL
 - DRIVER SIDE STL OR AL
- FRONT BUILD-OUT - 8"
- FOLDING TRACK EXTENSION
- TRACK GUARD (Magnum ONLY)
- STAINLESS STEEL LIGHT BAR

TRAILER ADDITIONS

- REUSING TRACK
 - LOWERING ADDITIONAL LIGHTS
 - EXCLUDES CORNER, MARKER & ABS
 - REMOVING OLD TARP SYSTEM
 - ADDITIONAL TRAILER WORK
-
-
-
-

SYSTEM HEIGHT

- MAXIMUM HEIGHT _____
- REQUIRED HEIGHT _____
- OTHER _____

ADDITIONAL NOTES

HEADBOARD ADDITIONS

- RE-USING HEADBOARD
- STAINLESS STEEL WRAP
- MAN DOOR
- CHAIN BOXES 1 OR 2
- DUNNAGE RACKS 1 OR 2
- UTILITY TRAY
- NOSE CONE WHITE OR BLACK
- INSIDE FLOOD LIGHTS
- ADDITIONAL HEADBOARD LIGHTS - 5 Total

TARP

- COLOR _____
- GRAPHICS

BACK FLAP OPENING OPTIONS (Choose One)

- ROPE & PULLEY
- CRANK ARM

BACK FLAP CLOSURE OPTIONS (Choose One)

- OVER 90° BARS
- VELCRO® WINGS

TENSIONING SYSTEM

- WINDING BRACE
- PNEUMATIC BRACE
- POST & RATCHET

GEN3™ TRAILER MEASUREMENT SHEET

Rev. 11-20 | Page 1

ShurTite™ tarps are custom-made to order and are non-returnable, so the correct physical measurements are essential for proper tarp fit. Be sure to provide all requested information or your order may be delayed. Do NOT use universal body or trailer sizes. Instead, use ACTUAL MEASUREMENTS provided in INCHES.

Use diagram below to help determine correct measurements for ordering. Trailer **MUST BE AIRED UP** and hooked to the truck or the fifth-wheel height set to 48" from the ground BEFORE taking measurements. Width of deck is from outside rub rail to outside rub rail. Additional information needed is noted on reverse side.

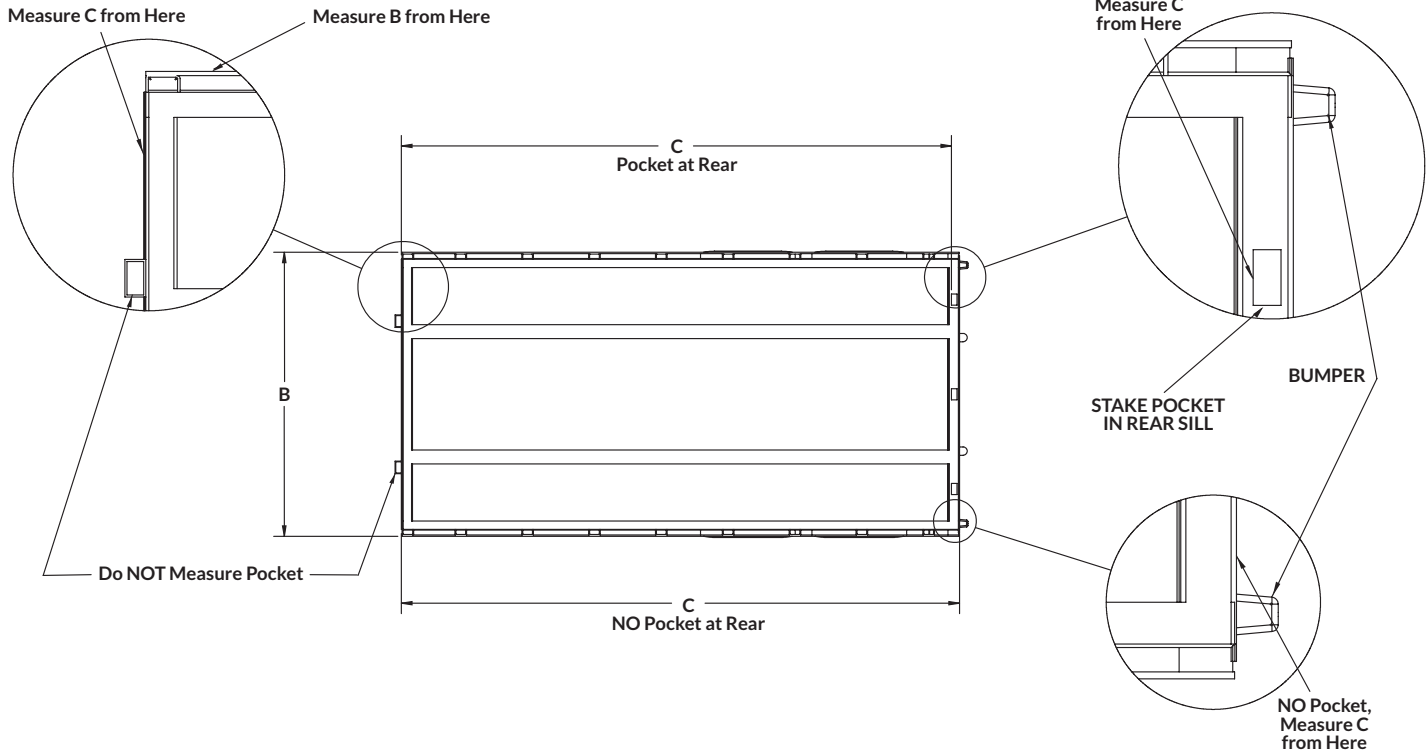
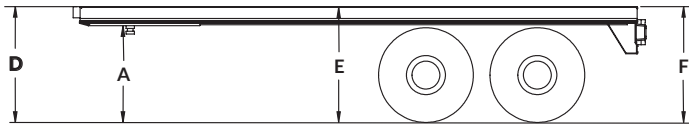
CONTACT INFORMATION

NAME _____
 ADDRESS _____
 EMAIL _____
 CITY _____ STATE _____ ZIP _____
 PHONE _____ FAX _____
 BOX/TRAILER MAKE _____
 MODEL _____ YEAR _____
 TRAILER VIN # (Last 5 Digits) _____
 DOT NUMBER _____

TRAILER DIMENSIONS

A _____ FIFTH WHEEL
 B _____ WIDTH
 C _____ DECK LENGTH
 D _____ FRONT HEIGHT
 E _____ MID DECK HEIGHT
 F _____ REAR HEIGHT

RUB RAIL STEEL ALUMINUM



(● STANDARD PARTS)

EXTRA OPTIONS

- EXTRA LIFTERS
- QUAD LIFTERS
- REAR STEP
 - PASSENGER SIDE STL OR AL
 - DRIVER SIDE STL OR AL
- FRONT BUILD-OUT - 8"
- FOLDING TRACK EXTENSION
- STAINLESS STEEL LIGHT BAR

TRAILER ADDITIONS

- LOWERING ADDITIONAL LIGHTS
 - EXCLUDES CORNER, MARKER & ABS
- REMOVING OLD TARP SYSTEM
- ADDITIONAL TRAILER WORK

SYSTEM HEIGHT (Choose One)

- 100" STANDARD (98" Inside Height)
- 84" STANDARD (82" Inside Height)
- 72" STANDARD (70" Inside Height)
- OTHER _____

ADDITIONAL NOTES

HEADBOARD ADDITIONS

- STAINLESS STEEL WRAP
- MAN DOOR
- CHAIN BOXES 1 OR 2
- DUNNAGE RACKS 1 OR 2
- UTILITY TRAY
- NOSE CONE WHITE OR BLACK
- INSIDE FLOOD LIGHTS
- ADDITIONAL HEADBOARD LIGHTS - 5 Total

TARP

- COLOR _____
- GRAPHICS

BACK FLAP OPENING OPTIONS (Choose One)

- ROPE & PULLEY
- CRANK ARM

BACK FLAP CLOSURE OPTIONS (Choose One)

- OVER 90° BARS
- VELCRO® WINGS

ELECTRIC FRONT (Choose One)

- WIRED DIRECT
- BATTERY & SOLAR PANEL
- BATTERY & TRICKLE CHARGER

GOOSENECK TRAILER MEASUREMENT SHEET

ShurTite™ tarps are custom-made to order and are non-returnable, so the correct physical measurements are essential for proper tarp fit. Be sure to provide all requested information or your order may be delayed. Do NOT use universal body or trailer sizes. Instead, use ACTUAL MEASUREMENTS provided in INCHES.

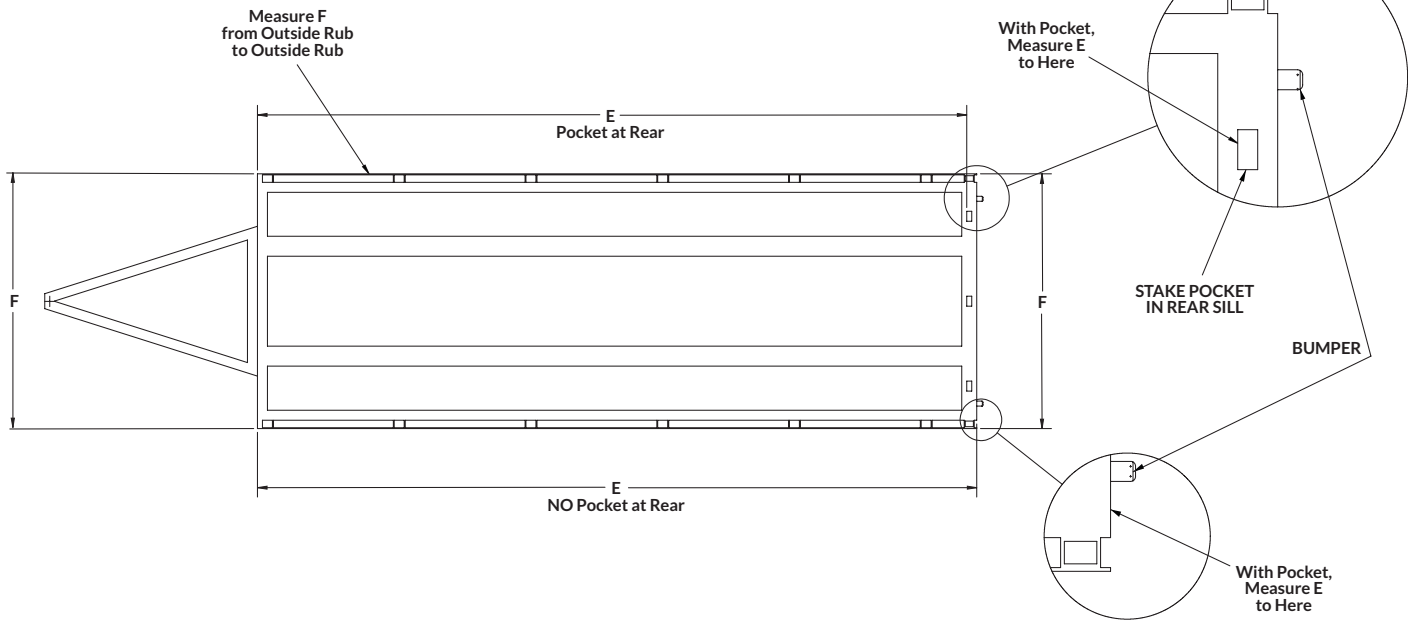
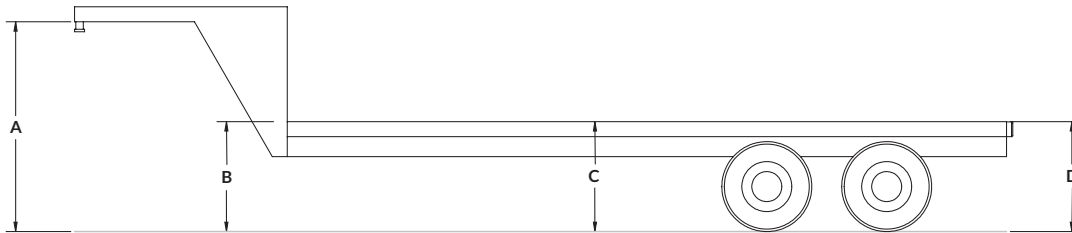
Use diagram below to help determine correct measurements for ordering. Trailer **MUST BE AIRED UP** and hooked to the truck or the fifth-wheel height set to 48" from the ground BEFORE taking measurements. Width of deck is from outside rub rail to outside rub rail. Additional information needed is noted on reverse side.

CONTACT INFORMATION

NAME _____
 ADDRESS _____
 EMAIL _____
 CITY _____ STATE _____ ZIP _____
 PHONE _____ FAX _____
 BOX/TRAILER MAKE _____
 MODEL _____ YEAR _____
 TRAILER VIN # (Last 5 Digits) _____
 DOT NUMBER _____

TRAILER DIMENSIONS

A _____ FIFTH WHEEL HEIGHT
 B _____ FRONT DECK HEIGHT
 C _____ MIC DECK HEIGHT
 D _____ REAR DECK HEIGHT
 E _____ DECK LENGTH
 F _____ DECK WIDTH
 RUB RAIL STEEL ALUMINUM



GOOSENECK TRAILER MEASUREMENT SHEET

Rev. 11-20 | Page 2

TRACK: MAGNUM TITETRAX™

(● STANDARD PARTS)

EXTRA OPTIONS

- EXTRA LIFTERS
- QUAD LIFTERS
- REAR STEP
 - PASSENGER SIDE STL OR AL
 - DRIVER SIDE STL OR AL
- FOLDING TRACK EXTENSION
- TRACK GUARD (Magnum ONLY)
- STAINLESS STEEL LIGHT BAR

TRAILER ADDITIONS

- REUSING TRACK
- LOWERING ADDITIONAL LIGHTS
 - EXCLUDES CORNER, MARKER & ABS
- REMOVING OLD TARP SYSTEM
- ADDITIONAL TRAILER WORK

SYSTEM HEIGHT (Choose One)

- 100" STANDARD (98" Inside Height)
- 84" STANDARD (82" Inside Height)
- 72" STANDARD (70" Inside Height)
- OTHER _____

ADDITIONAL NOTES

HEADBOARD ADDITIONS

- RE-USING HEADBOARD
- STAINLESS STEEL WRAP
- MAN DOOR
- CHAIN BOXES 1 OR 2
- DUNNAGE RACKS 1 OR 2
- UTILITY TRAY
- NOSE CONE WHITE OR BLACK
- INSIDE FLOOD LIGHTS
- ADDITIONAL HEADBOARD LIGHTS - 5 Total

TARP

- COLOR _____
- GRAPHICS

BACK FLAP OPENING OPTIONS (Choose One)

- ROPE & PULLEY
- CRANK ARM

BACK FLAP CLOSURE OPTIONS (Choose One)

- OVER 90° BARS
- VELCRO® WINGS

TENSIONING SYSTEM

- WINDING BRACE
- PNEUMATIC BRACE
- POST & RATCHET

STRAIGHT TRUCK TRAILER MEASUREMENT SHEET

ShurTite™ tarps are custom-made to order and are non-returnable, so the correct physical measurements are essential for proper tarp fit. Be sure to provide all requested information or your order may be delayed. Do NOT use universal body or trailer sizes. Instead, use ACTUAL MEASUREMENTS provided in INCHES.

Use diagram below to help determine correct measurements for ordering. Trailer **MUST BE AIRED UP** and hooked to the truck or the fifth-wheel height set to 48" from the ground BEFORE taking measurements. Width of deck is from outside rub rail to outside rub rail. Additional information needed is noted on reverse side.

CONTACT INFORMATION

NAME _____

ADDRESS _____

EMAIL _____

CITY _____ STATE _____ ZIP _____

PHONE _____ FAX _____

BOX/TRAILER MAKE _____

MODEL _____ YEAR _____

TRAILER VIN # (Last 5 Digits) _____

DOT NUMBER _____

TRAILER DIMENSIONS

A _____ FRONT HEIGHT

B _____ MID DECK HEIGHT

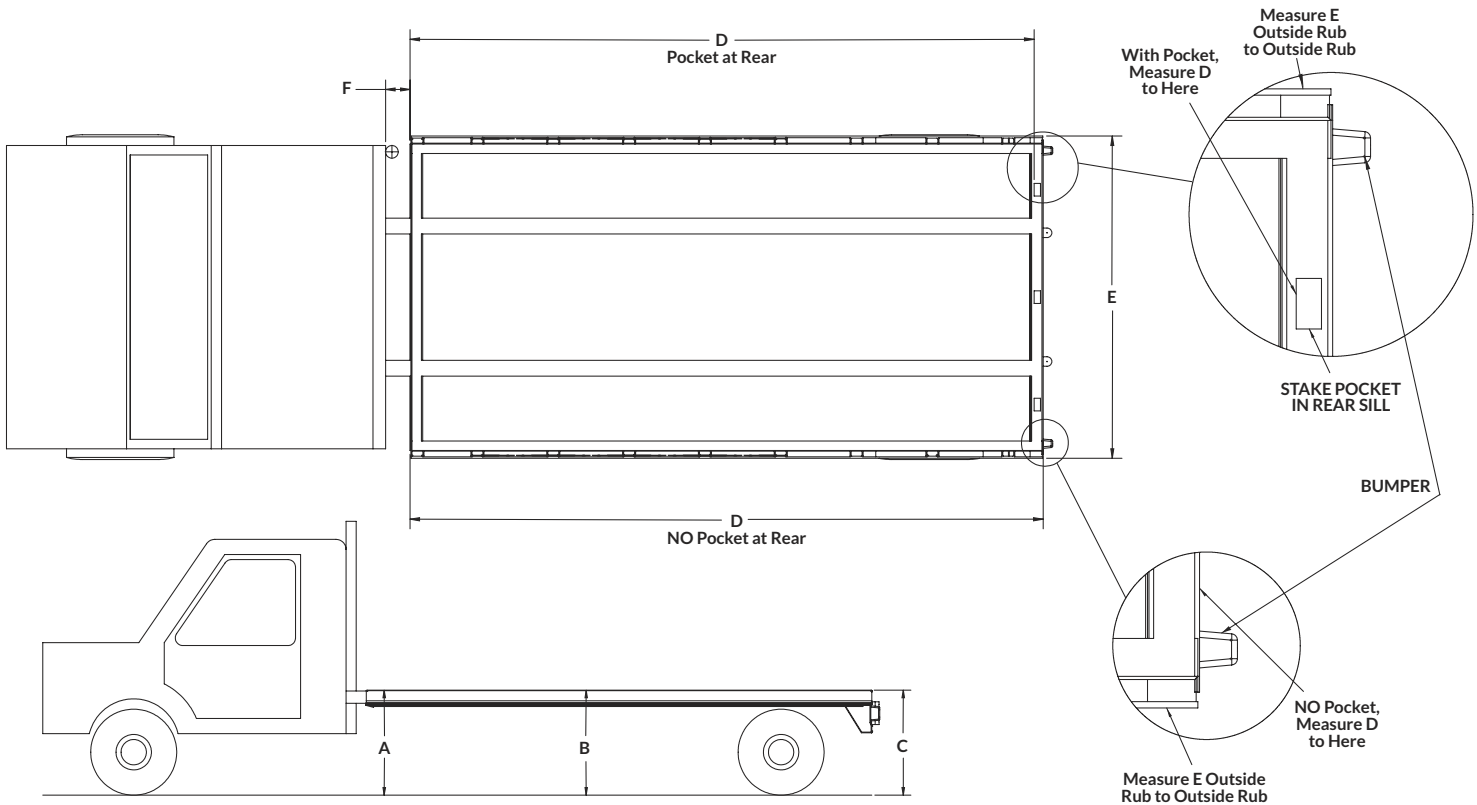
C _____ REAR DECK HEIGHT

D _____ DECK LENGTH

E _____ DECK WIDTH

F _____ CAB-TO-DECK LENGTH

RUB RAIL STEEL ALUMINUM



STRAIGHT TRUCK TRAILER MEASUREMENT SHEET

Rev. 11-20 | Page 2

TRACK: MAGNUM TITETRAX™

(• STANDARD PARTS)

EXTRA OPTIONS

- EXTRA LIFTERS
- QUAD LIFTERS
- REAR STEP
 - PASSENGER SIDE STL OR AL
 - DRIVER SIDE STL OR AL
- FRONT BUILD-OUT - 8"
- FOLDING TRACK EXTENSION
- TRACK GUARD (Magnum ONLY)
- STAINLESS STEEL LIGHT BAR

TRAILER ADDITIONS

- REUSING TRACK
 - LOWERING ADDITIONAL LIGHTS
 - EXCLUDES CORNER, MARKER & ABS
 - REMOVING OLD TARP SYSTEM
 - ADDITIONAL TRAILER WORK
- _____
- _____
- _____

SYSTEM HEIGHT

- 100" STANDARD (98" Inside Height)
- 84" STANDARD (82" Inside Height)
- 72" STANDARD (70" Inside Height)
- OTHER _____

ADDITIONAL NOTES

HEADBOARD ADDITIONS

- RE-USING HEADBOARD
- STAINLESS STEEL WRAP
- MAN DOOR
- CHAIN BOXES 1 OR 2
- DUNNAGE RACKS 1 OR 2
- UTILITY TRAY
- NOSE CONE WHITE OR BLACK
- INSIDE FLOOD LIGHTS
- ADDITIONAL HEADBOARD LIGHTS - 5 Total

TARP

- COLOR _____
- GRAPHICS

BACK FLAP OPENING OPTIONS (Choose One)

- ROPE & PULLEY
- CRANK ARM

BACK FLAP CLOSURE OPTIONS (Choose One)

- OVER 90° BARS
- VELCRO® WINGS

TENSIONING SYSTEM

- WINDING BRACE
- PNEUMATIC BRACE
- POST & RATCHET

NUMERICAL PARTS LISTING

PART #	DESCRIPTION
2000000	WHEEL W/BEARING/AXLE 1-3/4IN ASSEMBLY CLASSIC/MAGNUM™
2000001	WHEEL W/BEARING/AXLE 3IN ASSEMBLY CLASSIC
2000002	BOW LOCK SPRING BOLT ASSEMBLY
2000003	LOCK SPRING BOLT 3IN
2000004	CORNER CHANNEL TUBE INTERMEDIATE ASSEMBLY
2000005	TARP HOLDER MAGNUM™
2000006	RATCHET - 2 X 32 IN W/DELTA RING
2000007	RATCHET - 2 X 32IN W/HOOK 7/16IN
2000008	RATCHET 2IN REVERSIBLE
2000010	PULLEY DOUBLE TRACK
2000012	PULLEY SINGLE TRACK
2000013	ROPE REAR FLAP 1/4IN SOLID BRAID NYLON
2000015	BUCKLE FEMALE 1-1/2IN PLASTIC BLACK
2000016	BUCKLE MALE 1-1/2IN PLASTIC BLACK
2000017	STRAP CARGO - 2 X 40IN W/DELTA RING
2000018	STRAP CARGO - 2 X 40IN W/HOOK 7/16IN
2000019	HANDLE CHEST
2000020	LIFTKIT INSERT ASSEMBLY CLASSIC
2000023	STEP DOUBLE ALUMINUM
2000024	SEAL BUBBLE STRAIGHT PER FT CLASSIC
2000026	LIFT KIT CORNER RUBBER CLASSIC
2000027	LIFT KIT CORNER BRACKET ROUND 12IN CLASSIC
2000028	LIFT KIT CORNER SQUARE CLASSIC
2000029	REAR FLAP VISOR ASSEMBLY OVER 90
2000035	HANDLE STRAP TARP MAG
2000036	OVER 90 BAR ASSEMBLY 100H RT
2000037	OVER 90 BAR ASSEMBLY 100H LT
2000040	CHAIN-REAR POCKET - 8 EYES
2000057	RATCHET POST ROLLER
2000059	TARP INTERMEDIATE SECTION 100H X 108W
2000061	WINDING BRACE SLIDE GUIDE STEEL
2000062	WINDING BRACE SLIDE GUIDE MOUNTING PLATE ALUMINUM
2000063	BASE FIXED ASSEMBLY - LT/RT
2000066	WINDING BRACE LT 96-102IN
2000071	WINDING BRACE RT 96-102IN
2000072	WINDING BRACE LT 60-84IN
2000073	WINDING BRACE RT 60-84IN
2000111	BUILD-OUT FRONT CORNER ALUMINUM RT
2000112	BUILD-OUT FRONT CORNER ALUMINUM LT
2000115	BUILD-OUT FRONT CORNER STEEL RT
2000116	BUILD-OUT FRONT CORNER STEEL LT
2000117	SEAL TRACK RUBBER 2-1/2IN - 1 BOX = 106FT
2000120	EXTRUSION TRACK 48FT ALUMINUM MAGNUM™
2000125	HEARDBOARD MOUNT KIT FASTENERS MAGNUM™
2000131	CORNER SUPPORT CHANNEL TUBE BRACKET
2000132	BOW CORNER SUPPORT FRONT/REAR
2000148	LIFTER SIDE CONNECTOR MAGNUM™/TITETRAX™
2000151	LIFTER 2-LIFTER BRACKET MAGNUM™/TITETRAX™
2000154	LIFTER 1-PC ASSY 230IN TUBE MAGNUM™/TITETRAX™
2000155	LIFTER HINGED ASSEMBLY 100H MAGNUM™/TITETRAX™
2000156	HINGED LIFTER MID-CONNECTOR ALUMINUM/PLASTIC
2000157	REAR BOW FLAP EXTRUSION (CUT 102IN)
2000162	BOW INTERMEDIATE ASSEMBLY 100HX108W MAGNUM™
2000163	BOW SIDE ASSEMBLY INTERMEDIATE 100H ASSEMBLY W/O FOOT MAGNUM™
2000169	SEAL-D HEADBOARD PER FT MAGNUM™
2000172	STEP SINGLE CAST ALUMINUM HEADBOARD
2000173	HANDLE BOLT-ON HEADBOARD
2000180	BOW GUIDE PLATE
2000183	SIDE FRAME BOTTOM COVER LT
2000184	SIDE FRAME BOTTOM COVER RT
2000192	FRONT LOCK SAFTY CLIP ASSEMBLY
2000195	HEADBOARD ASSEMBLY W/DOOR/NO WING/STEP 100HX108W
2000213	CRANK ASSEMBLY - SOCKET HEAD
2000222	TRACK INSERT PLASTIC 8FT MAGNUM™
2000229	TRACK AIR DEFLECTOR 8FT MAGNUM™
2000235	FRONT LOCK ASSEMBLY 84H LT
2000236	FRONT LOCK ASSEMBLY 84H RT
2000264	REAR FLAP PIPE STEEL ROUND DIAMETER 104-12IN LG
2000305	HINGED ACCESS DOOR HEADBOARD W/GREASE FITTING
2000307	HEADBOARD LOCK TAB DOOR MAGNUM™
2000309	TRACK GUARD INSERT 6FT PLASTIC
2000310	CHAIN BOX HEADBOARD 1 SIDE MAGNUM™
2000312	DUNNAGE RACK HEADBOARD MAGNUM™
2000314	LIGHT AMBER CLEARANCE LED
2000315	GROMMET LIGHT 2-1/2IN OPEN BACK
2000330	HOOK POCKET STEEL LOCK BAR BLACK CLASSIC
2000343	OVER 90 STRIKER CLAMP RT
2000344	OVER 90 STRIKER CLAMP LT
2000364	REAR FLAP TUBE STEEL SQUARE 104-1/2IN LG
2000365	REAR FLAP ASSEMBLY ROPE 100HX108W CLASSIC
2000366	BUNGEE 9IN LG

PART #	DESCRIPTION
2000368	SEAL RUBBER TRACK OLD STYLE
2000428	WINDING BRACE SLIDE GUIDE MOUNTING PLATE STEEL
2000452	ROPE HOOK
2000462	TARP RED MEHLER 356 118W
2000466	TARP RUSSIAN GREEN MEHLER 682 98-1/2W
2000472	TARP ROYAL BLUE MEHLER 543 118W
2000484	TARP BLACK MEHLER 905 118W
2000506	LIFTER EXTRA ASSEMBLY 108W MAGNUM™/TITETRAX™ OR CLASSIC
2000518	LIFT KIT TOP ASSEMBLY SQUARE CORNER CLASSIC 100HX108W
2000528	LIFT KIT ASSEMBLY SQUARE CORNER CLASSIC 100HX108W
2000529	STEP REAR ASSEMBLY ALUMINUM RT
2000530	STEP REAR ASSEMBLY ALUMINUM LT
2000532	FRONT LOCK ASSEMBLY 96H/100H/102H LT
2000534	FRONT LOCK ASSEMBLY 96H/100H/102H RT
2000535	TARP KIT OLD STYLE BUNGEE BOTTOM
2000538	BOW FRONT ASSEMBLY 100HX108W FLATBED TOP CLASSIC
2000539	BOW INTERMEDIATE ASSEMBLY 100HX108W FLATBED TOP CLASSIC
2000543	TARP 44-53FT NO BUNGEE NEW CLASSIC
2000549	FOOT FRONT/REAR ASSEMBLY MAGNUM™
2000561	LIFTER HINGED SIDE ASSEMBLY 100H MAGNUM™/TITETRAX™
2000562	KIT STRAIGHT TRUCK 12-15FTX102W
2000563	KIT STRAIGHT TRUCK 16-19FTX102W
2000564	KIT STRAIGHT TRUCK 20-26FTX102W
2000565	KIT STRAIGHT TRUCK 27-33FTX102W
2000566	KIT FLATBED 34-40 FT 102W
2000567	KIT FLATBED 41-48 FT 102WX100H
2000568	KIT FLATBED 49-53 FT 102WX100H
2000569	KIT STEP DECK 48FT SECTIONAL 102W
2000570	KIT STEP DECK 53FT 102W
2000571	KIT DOUBLE DROP 48-53FT 102W
2000573	SEAL HEADBOARD 27FT MAGNUM™
2000574	TARP END SECTION 100HX108W
2000584	HOOK BOLT ASSEMBLY
2000585	WINDING BRACE ASSEMBLY 96-102IN (BOTH W/CRANK)
2000586	WINDING BRACE SUPPORT PIPE ASSEMBLY 100H
2000587	WINDING BRACE ASSEMBLY 60-84in (BOTH W/CRANK)
2000591	POST COMBO 48 ASSEMBLY RT
2000592	POST COMBO 48 ASSEMBLY LT
2000599	HANDLE ASSEMBLY GROUND CLOSING W/STRAP LT
2000600	HANDLE ASSEMBLY GROUND CLOSING W/STRAP RT
2000601	FOOT INTERMEDIATE BOW ASSEMBLY MAGNUM™
2000604	TRACK ASSEMBLY 48FT 1 SIDE ONLY MAGNUM™
2000605	FOOT ASSEMBLY 11IN CLASSIC
2000612	BOW TOP CHANNEL TUBE MAGNUM™
2000613	CRANK REAR FLAP 1-PC W/3-PC HOLDER
2000623	WING VELCRO® ASSEMBLY RT 100H W/D-RING CLASSIC
2000624	WING VELCRO® ASSEMBLY LT 100H W/D-RING CLASSIC
2000625	DOOR SEAL HEADBOARD 15FT MAGNUM™
2000626	HEADBOARD ASSEMBLY W/DOOR/STEP/LOCK 100HX108W
2000627	SIDE FRAME ASSEMBLY HEADBOARD 100H LT
2000628	SIDE FRAME ASSEMBLY HEADBOARD 100H RT
2000630	SIDE FRAME ASSEMBLY HEADBOARD 84H RT
2000631	HEADBOARD NOSE CONE WHITE
2000633	OVER 90 BAR ASSEMBLY 100H (BOTH)
2000634	REAR FLAP ASSEMBLY ROPE 100HX108W MAGNUM™
2000635	FOOT ASSEMBLY 18IN CLASSIC
2000639	TRACK END STOP ASSEMBLY
2000644	LIFT KIT LEG ASSEMBLY CLASSIC 90 100HX108W
2000649	OVERCENTER BUCKLE STAINLESS STEEL W/STRAP/HOOK
2000653	TARP KIT 48-53FT KEDER BOTTOM
2000685	FRONT LOCK HANDLE
2000688	HOOK WIRE 2IN 7/16IN WIRE
2000701	BOW FRONT ASSEMBLY 100HX108W MAGNUM™
2000706	POCKET COMBO LT ASSEMBLY
2000707	POCKET COMBO RT ASSEMBLY
2000715	BOW REAR ASSEMBLY 100HX108W MAGNUM™
2000738	3-SIDE POCKET WELDMENT
2000742	CORNER CHANNEL TUBE FRONT/REAR ASSEMBLY
2000745	BOW TOP ASSEMBLY FRONT/REAR 19-1/2IN MAGNUM™
2000746	CORNER CAST SQUARE TUBE ASSEMBLY
2000747	BOW SIDE ASSEMBLY FRONT RT 100H MAGNUM™
2000748	BOW SIDE ASSEMBLY FRONT LT 100H MAGNUM™
2000751	BOW SIDE ASSEMBLY REAR 100H SQUARE TUBE LT MAGNUM™
2000752	BOW SIDE ASSEMBLY REAR 100H SQUARE TUBE RT MAGNUM™
2000753	WINDING BRACE NUT ASSEMBLY
2000754	WINDING BRACE SUPPORT TUBE ASSEMBLY 100H LT
2000755	WINDING BRACE SUPPORT TUBE ASSEMBLY 100H RT
2000756	WINDING BRACE STROKE LIMITER
2000757	UTILITY TRAY ASSEMBLY HEADBOARD MAGNUM™
2000767	HEADBOARD ACCESS DOOR ASSEMBLY MAGNUM™
2000775	REAR FLAP VISOR ASSEMBLY VELCRO®

NUMERICAL PARTS LISTING

PART #	DESCRIPTION
2000835	LIFTER HALF 2 LIFTER BRACKET RT MAGNUM™/TITETRAX™
2000836	LIFTER HALF 2 LIFTER BRACKET LT MAGNUM™/TITETRAX™
2000837	HEADBOARD NOSE CONE BLACK
2000903	LIFT KIT TOP ASSEMBLY ROUND CLASSIC 100HX108W
2000906	BUILD-OUT FRONT CORNER COVER ALUMINUM
2000907	CORNER BUILD-OUT FRONT STANDARD ALUMINUM ASSEMBLY
2000910	HOOK POCKET ASSEMBLY LT (2)
2000911	HOOK POCKET ASSEMBLY RT (2)
2000917	HEADBOARD ASSEMBLY W/DOOR NO WING/STEP 84HX108W
2000918	TARP KIT NEW STYLE BUNGEELESS
2000936	TRACK GUARD HOLDER MAGNUM™
2000958	TRACK ASSEMBLY PER FOOT MAGNUM™
2000963	HEADBOARD ASSEMBLY NO DOOR/WING 100HX108W
2000986	CRANK REAR FLAP ARM 1-PC
2000988	CRANK REAR FLAP 1-PC W/U-JOINT ASSEMBLY
2000997	OVER 90 BAR ASSEMBLY RT 72H RT
2000999	OVER 90 BAR ASSEMBLY LT 72H LT
2001005	OVER 90 BAR ASSEMBLY RT 84H RT
2001006	OVER 90 BAR ASSEMBLY LT 84H LT
2001007	FRONT LOCK ASSEMBLY 72H LT
2001008	FRONT LOCK ASSEMBLY 72H RT
2001011	SIDE FRAME ASSEMBLY HEADBOARD 84H LT
2001014	SIDE FRAME ASSEMBLY HEADBOARD 72H LT
2001015	SIDE FRAME ASSEMBLY HEADBOARD 72H RT
2001018	REAR FLAP CRANK U-JOINT
2001023	BOW REAR ASSEMBLY 100HX102W FLATBED TOP CLASSIC
2001070	WINDING BRACE THREAD ROD/PIVOT ASSEMBLY 100H
2001075	STEP REAR ASSEMBLY RT STEEL
2001076	STEP REAR ASSEMBLY LT STEEL
2001116	WINDING BRACE THREAD ROD/PIVOT ASSEMBLY 72H
2001117	WINDING BRACE SUPPORT PIPE ASSEMBLY DD RT
2001118	WINDING BRACE SUPPORT PIPE ASSEMBLY 72H
2001119	WINDING BRACE SUPPORT TUBE ASSEMBLY LT 72H
2001120	WINDING BRACE SUPPORT TUBE ASSEMBLY RT 72H
2001121	WINDING BRACE SUPPORT PIPE ASSEMBLY DD LT
2001127	POST RATCHET INTERNAL 48 ASSEMBLY RT
2001128	POST RATCHET INTERNAL 48 ASSEMBLY LT
2001131	TARP REPAIR TAPE BLACK 50 FT PER ROLL
2001140	HEADBOARD ASSEMBLY W/DOOR/STEP/LOCK 84HX108W
2001141	EXTRUSION TRACK 48FT-7IN TITETRAX™
2001142	OVER 90 LOCKING CLAMP
2001150	HEADBOARD ASSEMBLY NO DOOR/WING 72HX108W
2001151	TARP 44-53FT KEDER BOTTOM CLASSIC
2001153	TARP PANEL REPLACEMENT ANCHORS AND RIVETS
2001156	HEADBOARD ASSEMBLY NO DOOR W/WING/LOCK 72HX108W
2001162	WING VELCRO ASSEMBLY RT 100H W/BUNGEE
2001163	WING VELCRO ASSEMBLY LT 100H W/BUNGEE/HOOKS
2001164	REAR FLAP VELCRO® W/D-RING 100HX108W MAGNUM™
2001179	PIN LIFTER LEG MOUNT (SLIC PIN ZINC) MAGNUM™/TITETRAX™
2001196	TARP 44-53FT W/BUNGEE CLASSIC
2001205	CORNER BUILD-OUT FRONT STANDARD STEEL ASSEMBLY
2001206	BUILD-OUT FRONT CORNER COVER STEEL
2001238	PNEUMATIC LOCK BRACE 100H
2001290	HEADBOARD ASSEMBLY NO DOOR/WING 84HX108W
2001346	PULLEY SINGLE SWIVEL EYE W/BOLT ASSEMBLY
2001347	PULLEY DOUBLE SWIVEL EYE W/BOLT ASSEMBLY
2001348	PULLEY SWIVEL EYE 3-PC
2001350	BOW REAR ASSEMBLY VELCRO® 100HX108W MAGNUM™
2001356	HEADBOARD ASSEMBLY DOT STYLE W/LOCKS
2001357	HEADBOARD DOT STYLE NO DOOR/WING 72HX108W
2001397	FRONT BUILD-OUT 8INX102W ASSEMBLY
2001406	POCKET INTERNAL POST ASSEMBLY ALUMINUM LT
2001407	POCKET INTERNAL POST ASSEMBLY ALUMINUM RT
2001419	LIFT KIT ASSEMBLY ROUND CORNER CLASSIC 100HX108W
2001420	BOW INTERMEDIATE ASSEMBLY ROUND CORNER 100HX108W CLASSIC
2001422	BOW FRONT ASSEMBLY ROUND CORNER 100HX108W CLASSIC
2001423	BOW REAR ASSEMBLY ROUND CORNER 100HX108W CLASSIC
2001438	FOOT FRAME 11IN ASSEMBLY TITETRAX™
2001441	FOOT FRAME 19-1/2IN ASSEMBLY TITETRAX™
2001449	TRACK INSERT UHMW TITETRAX™
2001451	BOW FRONT ASSEMBLY 100HX108W FLATBED TITETRAX™
2001452	BOW INTERMEDIATE ASSEMBLY 100HX108W FLATBED TITETRAX™
2001453	BOW REAR ASSEMBLY 100HX108W FLATBED TITETRAX™
2001459	BOW LOCK ASSEMBLY FRONT/REAR TITETRAX™
2001472	WING VELCRO® ASSEMBLY LT 100H W/BUNGEE NO HOOK
2001485	HEADBOARD ASSEMBLY NO DOOR W/WING/LOCK 100HX108W
2001489	REAR FLAP VELCRO® W/D-RING CLASSIC
2001511	SCREW PN HD SELF DRILL 1/4-14x.75
2001521	BOW SIDE ASSEMBLY REAR 100H VELCRO® LT MAGNUM™
2001522	BOW SIDE ASSEMBLY REAR 100H VELCRO® RT MAGNUM™
2001610	LIFTER SINGLE/EXTRA LIFT W/RIVET JOINER

PART #	DESCRIPTION
2001750	TRACK LIGHT BAR 27FT TITETRAX™
2001752	TRACK END STOP LT TITETRAX™ - BAG PARTS
2001753	TRACK END STOP RT TITETRAX™ -BAG PARTS
2001823	BOW REAR ASSEMBLY VELCRO® 100H 108W FLTBD TITETRAX™
2001824	BOW SIDE ASSEMBLY REAR 100H VELCRO® LT TITETRAX™
2001825	BOW SIDE ASSEMBLY REAR 100H VELCRO® RT TITETRAX™
2002053	WHEEL 3IN W/1/2IN NUT TITETRAX™
2002054	WHEEL 3IN W/1/2IN WASHER/NUT MAGNUM™/TITETRAX™
2002057	AXLE 3IN WHEEL W/3/4IN NUT TITETRAX™ FLTBD
2002058	AXLE 3IN WHEEL W/3/4IN NUT MAGNUM™
2002081	TRACK ASSEMBLY 48FT 1 SIDE ONLY RT TITETRAX™
2002090	TRACK ASSEMBLY PER FOOT TITETRAX™
2002092	HEADBOARD ASSEMBLY NO DOOR W/WING/LOCK 84HX108W

TERMS AND CONDITIONS

ORDERS

All orders are subject to written acceptance by Shur-Co® of Canada, ULC, 490 Elgin Street, Unit #2, Brantford, ON N3S 7P8. We are required by law to collect sales tax and FET taxes on products shipped to states where applicable. If tax exempt, a copy of your tax exempt certificate must accompany your order.

EXPEDITE/CANCELLATION/CHANGE FEES

In-stock parts orders placed by 10:00 a.m. (Central Time) normally ship the same day. (This varies with quantity/size of the order.) Standard lead time on tarps and hardware kits is generally five (5) to seven (7) working days; however, if you request that your order of tarps, hardware kits and/or complete tarp systems be expedited earlier than the normal lead time, there will be an extra charge of \$25. This fee is in addition to shipping and handling charges. Any change will generate an additional charge of \$25, and a cancellation will generate a 15% re-stocking fee. Lastly, once an order is in production, no changes can be made – it is then considered final. **Remember – we have no control over delivery dates – only ship dates.**

SHIPPING

All orders are shipped FOB from Shur-Co®, LLC, Yankton, SD; Caldwell, ID; Decatur, IL; Ravenna, OH; West Fargo, ND; Brantford, Ontario, Canada. No full freight will be allowed and no prepaid shipment will be accepted unless quoted and approved in writing prior to acceptance of order. All shipments are made by the most reasonable means in accordance with size and weight of order, unless specific routing instructions are furnished by customer. Shipments are made daily via UPS and common carrier. Claims for shortages must be made within 10 days. All claims for damages or loss in transit must be made with the carrier. No collect calls will be accepted. To ensure delivery of orders, we need your full street address and phone number. When you receive your shipment, examine it carefully. Be sure that all cartons listed on the delivery sheet are present and accounted for. Large items, like steel tubing, may be packaged separately. If a carton is damaged, open it and inspect contents before signing for delivery. If merchandise is damaged, describe damage on delivery receipt. Failure on your part to document damaged or missing merchandise on delivery receipt re-leases carrier of liability; repair or replacement will be the customer's responsibility.

CREDIT TERMS

Shipments are made on a cash basis – no CODs. We accept VISA, MasterCard, wire (electronic) transfer and checks by mail. If paying by mail, orders will not ship until the check is in the bank.

WARRANTY

We warrant that all new products are free from defects in materials and workmanship.* Warranty is effective if products are properly installed and used for the purpose for which they were intended and applies to the original buyer only. Except as set forth above or as set forth in any product-specific warranty documentation, we make no other warranties

WARRANTY Continued

express or implied, including, but not limited to, warranties of merchant-ability or fitness for a particular use.

Returns for warranty must be accompanied by a Return Merchandise Authorization number (RMA#), obtained by calling Customer Service at 800.265.0823, and sent, with freight paid by us, to Shur-Co® of Canada, ULC, 490 Elgin Street, Unit #2, Brantford, ON N3S 7P8. All products returned without an RMA# will be refused. When we issue the RMA#, we will also issue a call tag to have UPS (or other freight company) pick up the product. COD warranty returns will not be accepted. We will pay no storage charges for a warranty product return prior to pickup by us or the freight company. If a warranty product return is scheduled to be picked up by us, we will do so at our earliest convenience.

If the product returned is found, in our judgment, to be defective in material or workmanship, our obligation under this warranty is limited to repair or replacement of the product, which will be made by us. Re-pair or replacement will be at our discretion, with replacements being made using current products performing the equivalent function. Labor charges other than those incurred at our factory or company-owned service location (see back cover for list of facilities), including, but not limited to, any labor to install a repaired or replacement product, are not covered under this warranty. All expenses associated with delivering defective products to our factory and delivering repaired or replacement products from our factory to the owner will be paid by us.

If the product returned is found, in our judgment, to be non-warrantable, the owner will be contacted to authorize repair, the purchase of a replacement product or return of the product, all of which will be at the owner's expense. Payment authorization must be received by us before any non-warrantable product is repaired, replaced or returned. All expenses associated with delivering the repaired non-warrantable product, a replacement product or the non-warrantable product from our factory to the owner will be paid by the owner.

In no event will we be liable for damages of any kind to person, product or property, including, but not limited to, indirect, incidental, special, consequential or punitive damages, or damages for loss of profits or revenue, even if we have been advised of the possibility of such damages. There are no warranties for used products or products that have been repaired, altered, modified or subjected to misuse, negligence or accident. We will not repair or replace products that fail or malfunction due to ordinary wear and tear, except as expressly provided in a product-specific warranty. The use of non-Shur-Co®, LLC parts in conjunction with our products will void the product warranty.

*Certain products have specific warranties that differ from this warranty, i.e. motors and electronics. Product-specific warranty documentation is available. In the event of a conflict between this warranty and a product-specific one, the product-specific warranty will govern. SEE A COMPLETE LISTING OF SHUR-CO®, LLC WARRANTIES ON OUR WEBSITE: <https://www.shurco.com/support/warranties>.

RETURN POLICY

All sales are final. See WARRANTY section at left and above for information on warranty returns.

NOTE: No person is authorized to modify the foregoing conditions of sale whatsoever. All prices, product listings, sizes, weights and manufacturing details in this catalog are subject to change without notice.

– Copyright 2021 –